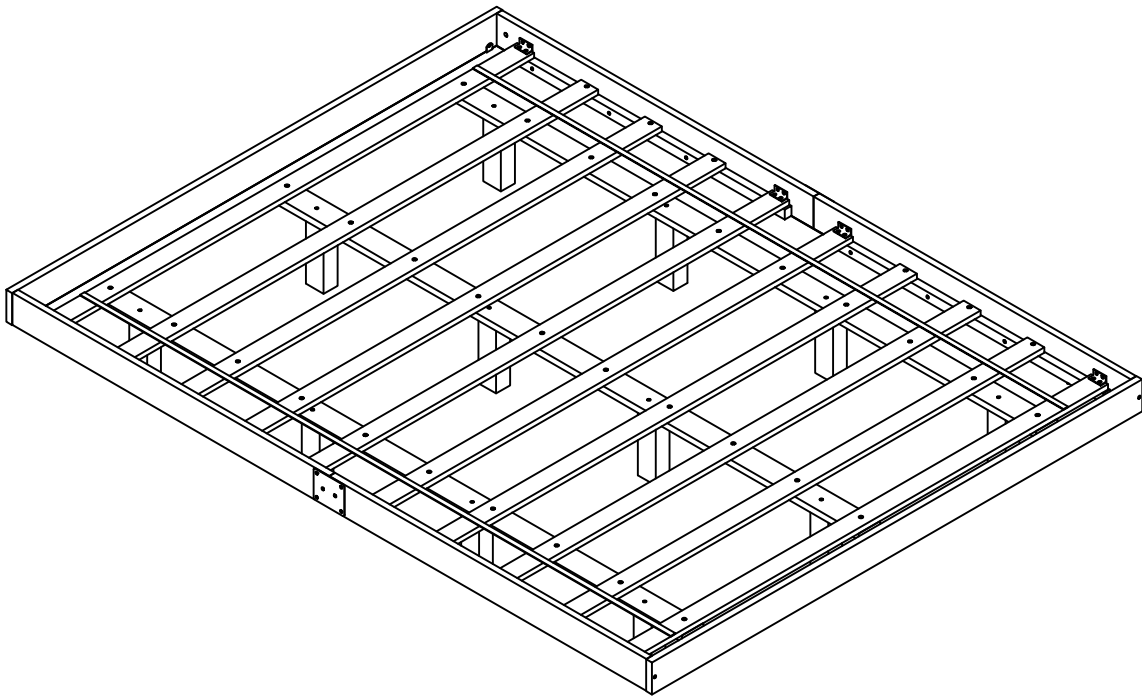


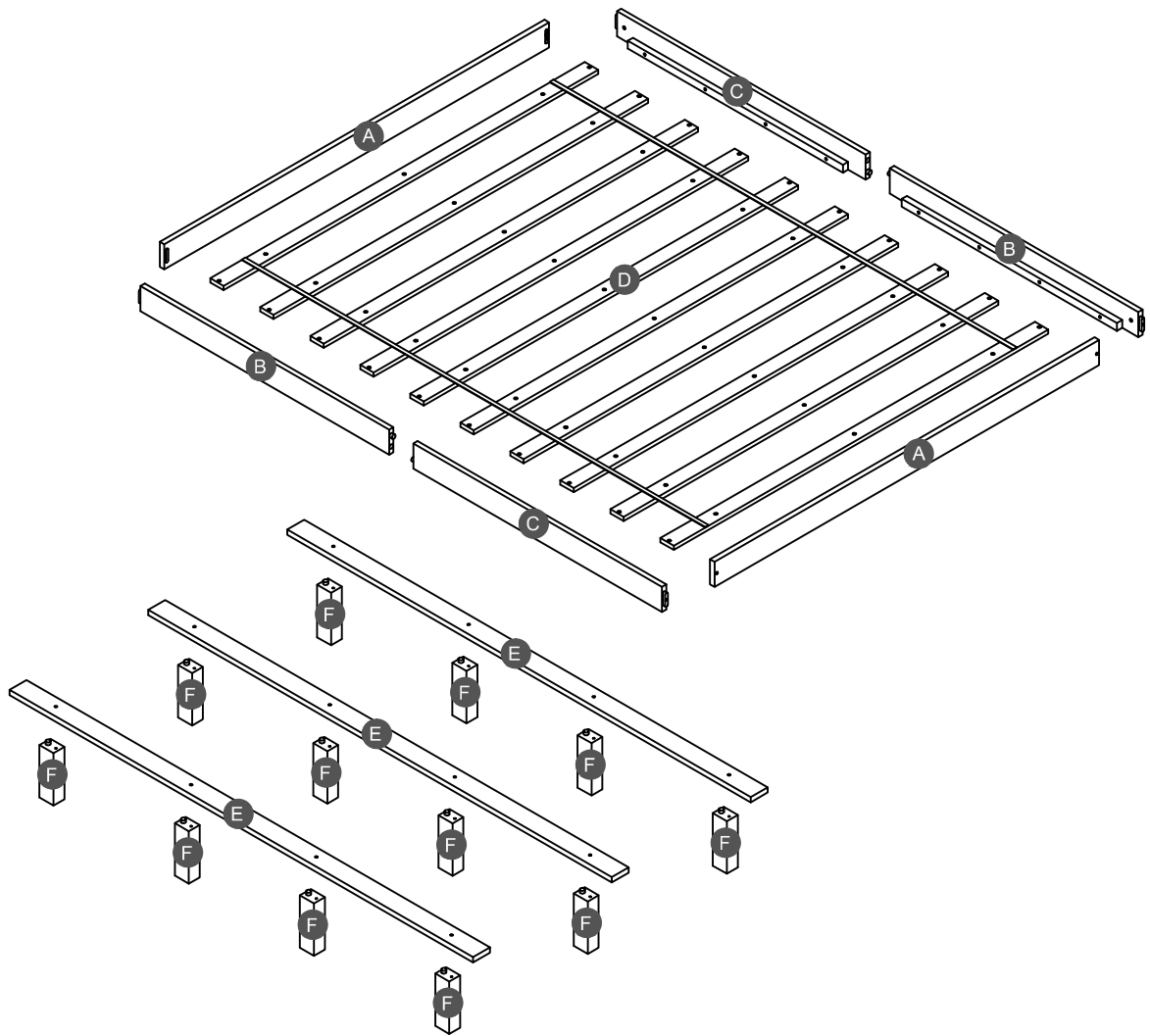
# ASSEMBLY INSTRUCTIONS

## QUEEN FLOATING BED, LED LIGHT

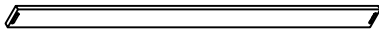
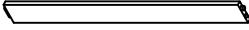
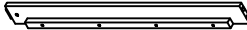
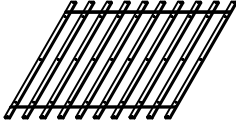

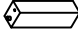


**SA33796**




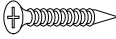


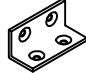

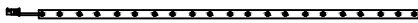


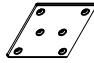
# Detail View



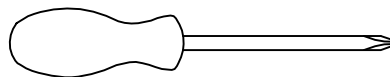
# Part List

<b>A</b>  Horizontal bar HB/FB - 2pcs	<b>B</b>  Side rail (Left front/Right back) - 2pcs	<b>C</b>  Side rail (Right front/Left back) - 2pcs
<b>D</b>  Slat - 1Set = 10pcs	<b>E</b>  Lower support slat - 3pcs	<b>F</b>  Leg support - 12pcs

# Hardware List

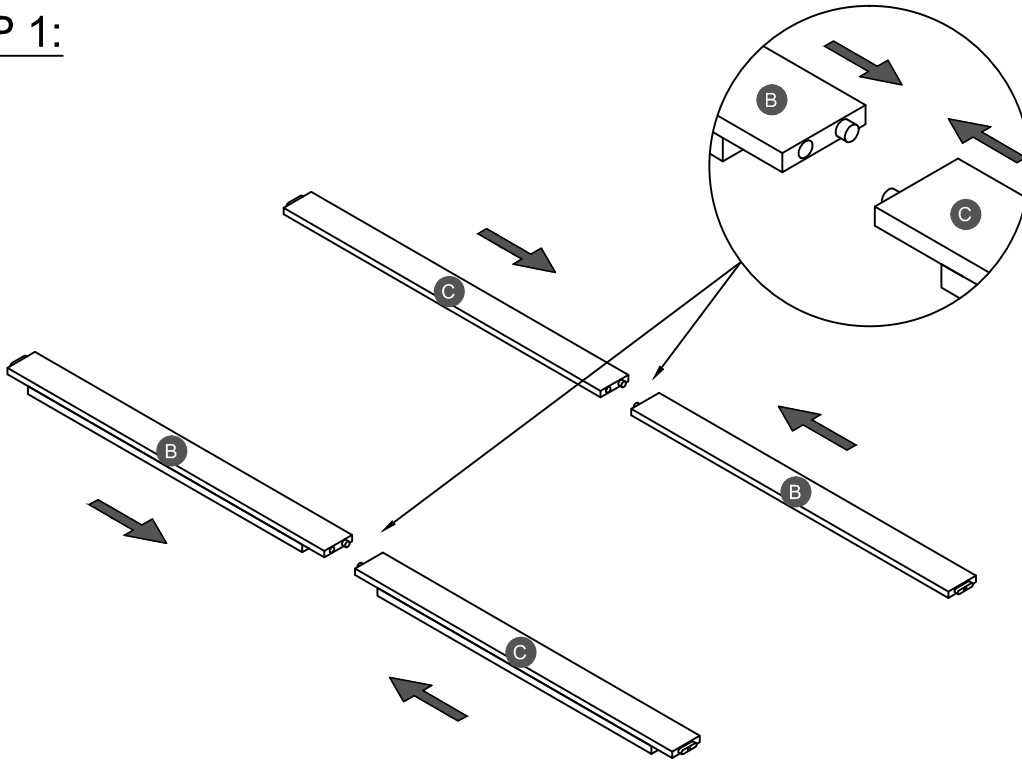
<b>1</b>  (Ø12)1/4"*60mm Hex-Head bolts (4pcs)	<b>2</b>  1/4"*15 (9.5mm) Horizontal-Hole bolts(4pcs)	<b>3</b>  (Ø12)1/4"*50mm Hex-Head bolts (12pcs)
<b>4</b>  Ø4*30mm Wood screws (50pcs)	<b>5</b>  (1/4")4.5*58mm Allen key (1pc)	<b>6</b>  Ø3.5*15mm Wood screws (49pcs)
<b>7</b>  40*18*18*2mm Metal bracket (8pcs)	<b>8</b>  L3000mm Adapter and wire strip (1pc)	<b>9</b>  L5000mm Led light (1pc)
<b>10</b>  22*10*6mm Clamp plastic (1pc)	<b>11</b>  18*20*20*1.5mm Metal bracket (4pcs)	<b>12</b>  100*80*1.5 mm Metal bracket (2pcs)

## ASSEMBLY TOOLS REQUIRED ( NOT INCLUDED )

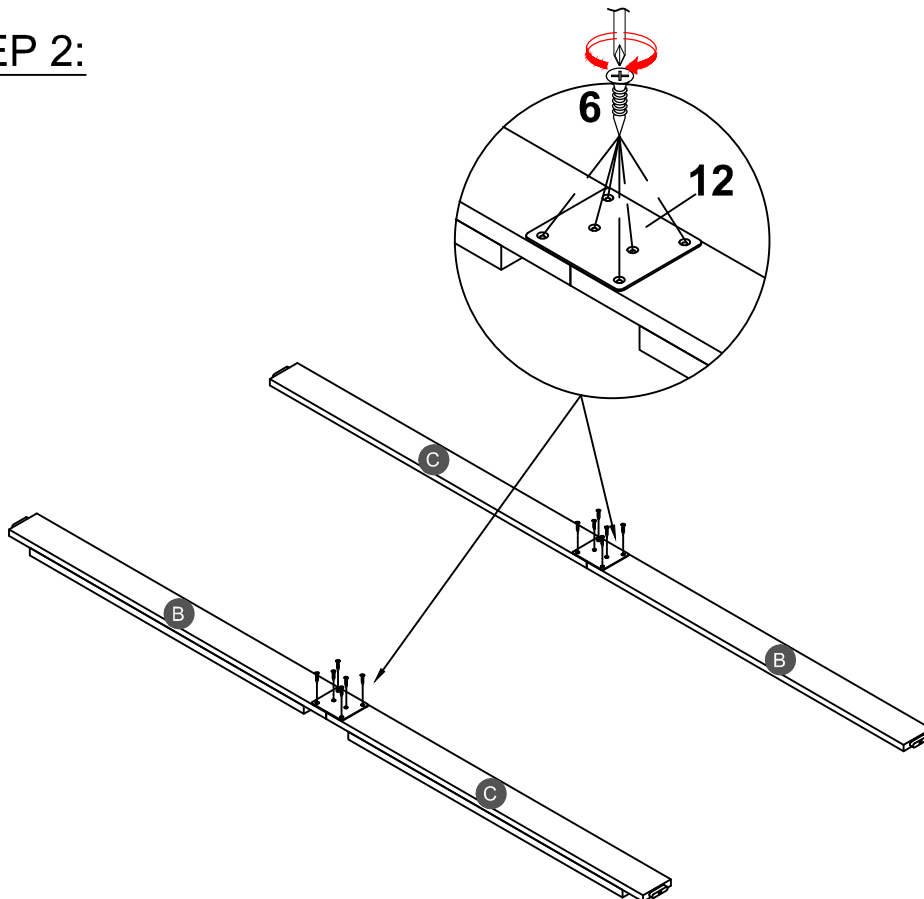



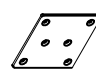
PLEASE BE CAREFUL DO NOT DAMAGE THE HOLE POSITION WHEN YOU USE POWER TOOLS !

**STEP 1:**





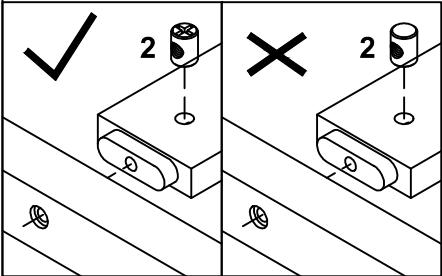
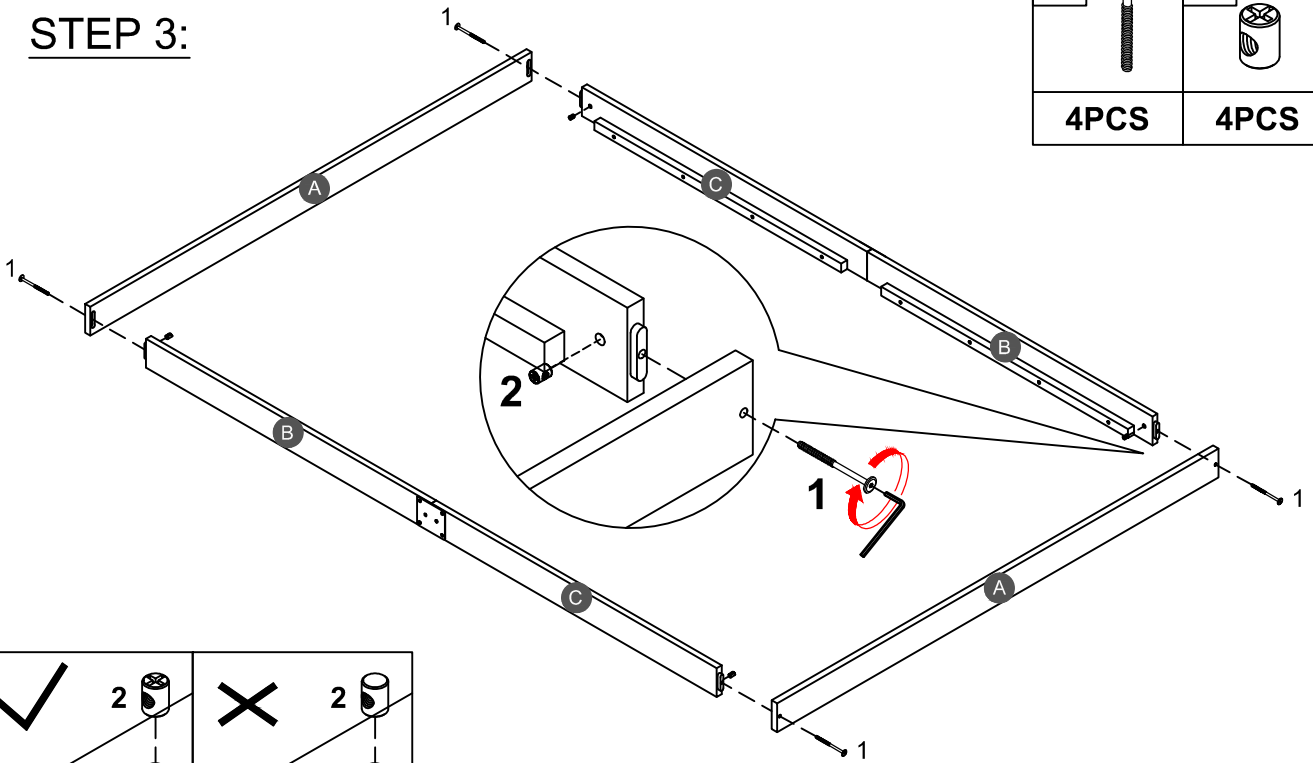
**STEP 2:**



<b>6</b>	
	<b>12PCS</b>
<b>12</b>	
	<b>2PCS</b>


**STEP 3:**

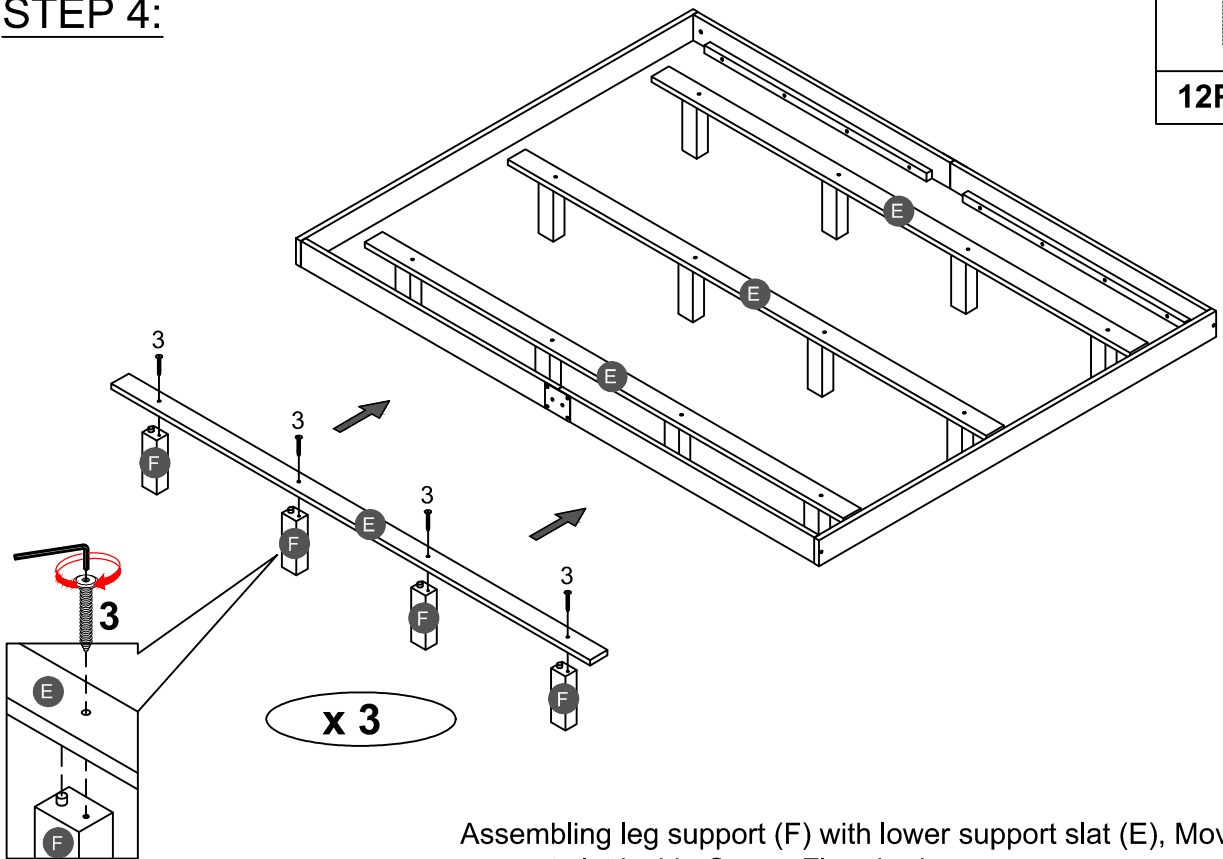
<b>1</b>		<b>2</b>	
<b>4PCS</b>		<b>4PCS</b>	



Note: Part 2 will face up with the "x" mark on it, otherwise it cannot be tightened

**STEP 4:**

<b>3</b>	
<b>12PCS</b>	



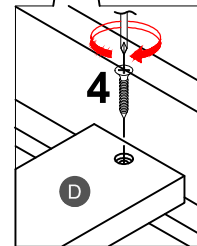
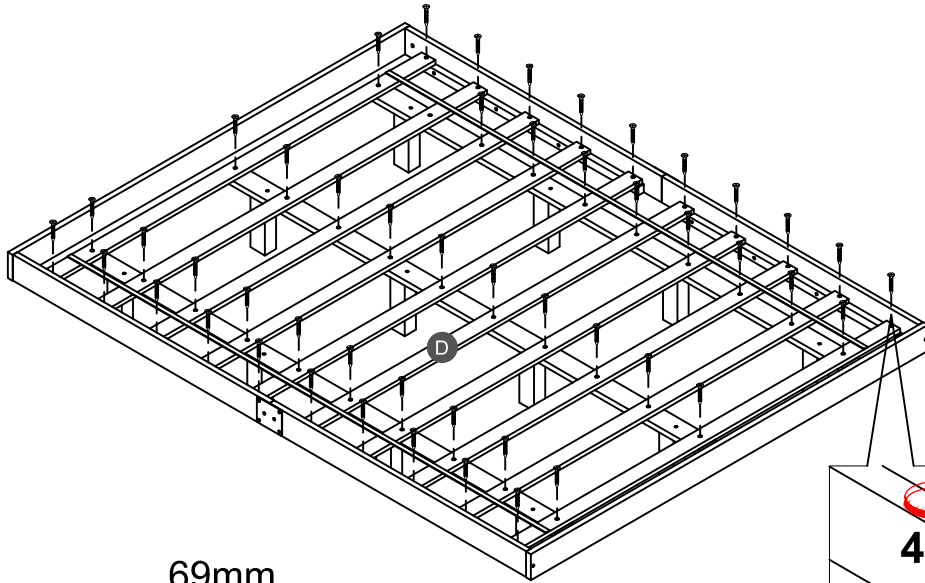
Assembling leg support (F) with lower support slat (E), Move support slat inside Queen Floor bed.

## STEP 5:

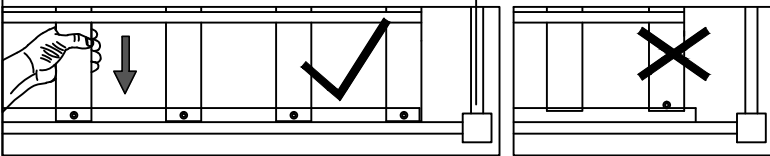
4



50PCS



69mm



Note: Do not lock the screws of the bed slats to the outermost edge of the bed slats, you need to leave a certain space at the edges, otherwise it will cause the board to break.  
Do not lock the bed slats on the edge of the wood, please hold firmly before screwing , hold it in place with one hand, then lock the screw.

## STEP 6:

6

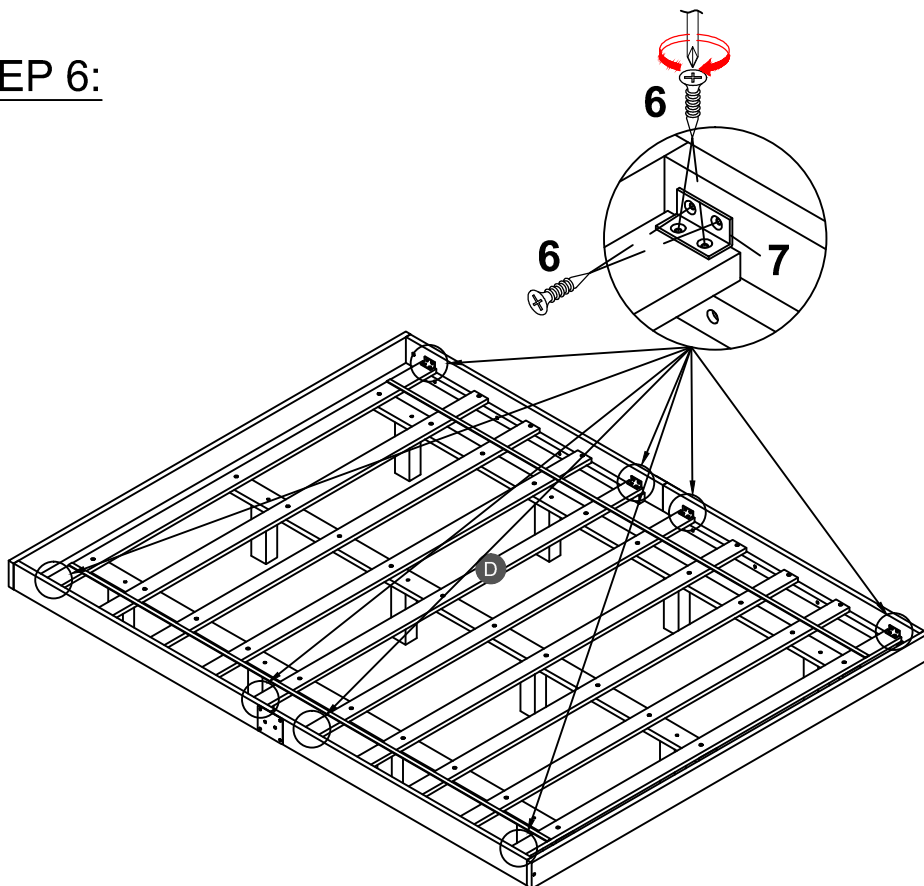


32PCS



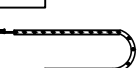


7



8PCS



**STEP 7:**

<b>6</b>	<b>8</b>	<b>9</b>	<b>10</b>	<b>11</b>
				
<b>5PCS</b>	<b>1PC</b>	<b>1PC</b>	<b>1PC</b>	<b>4PCS</b>

