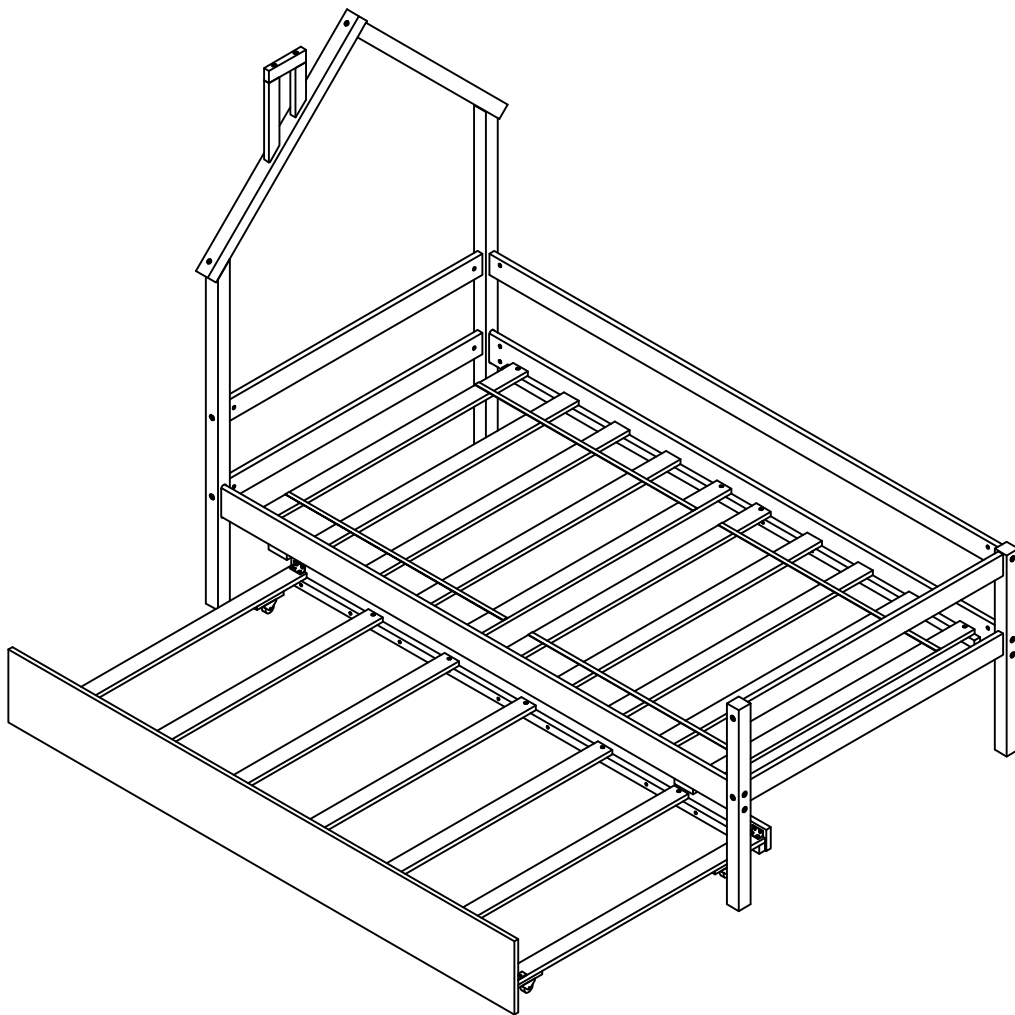


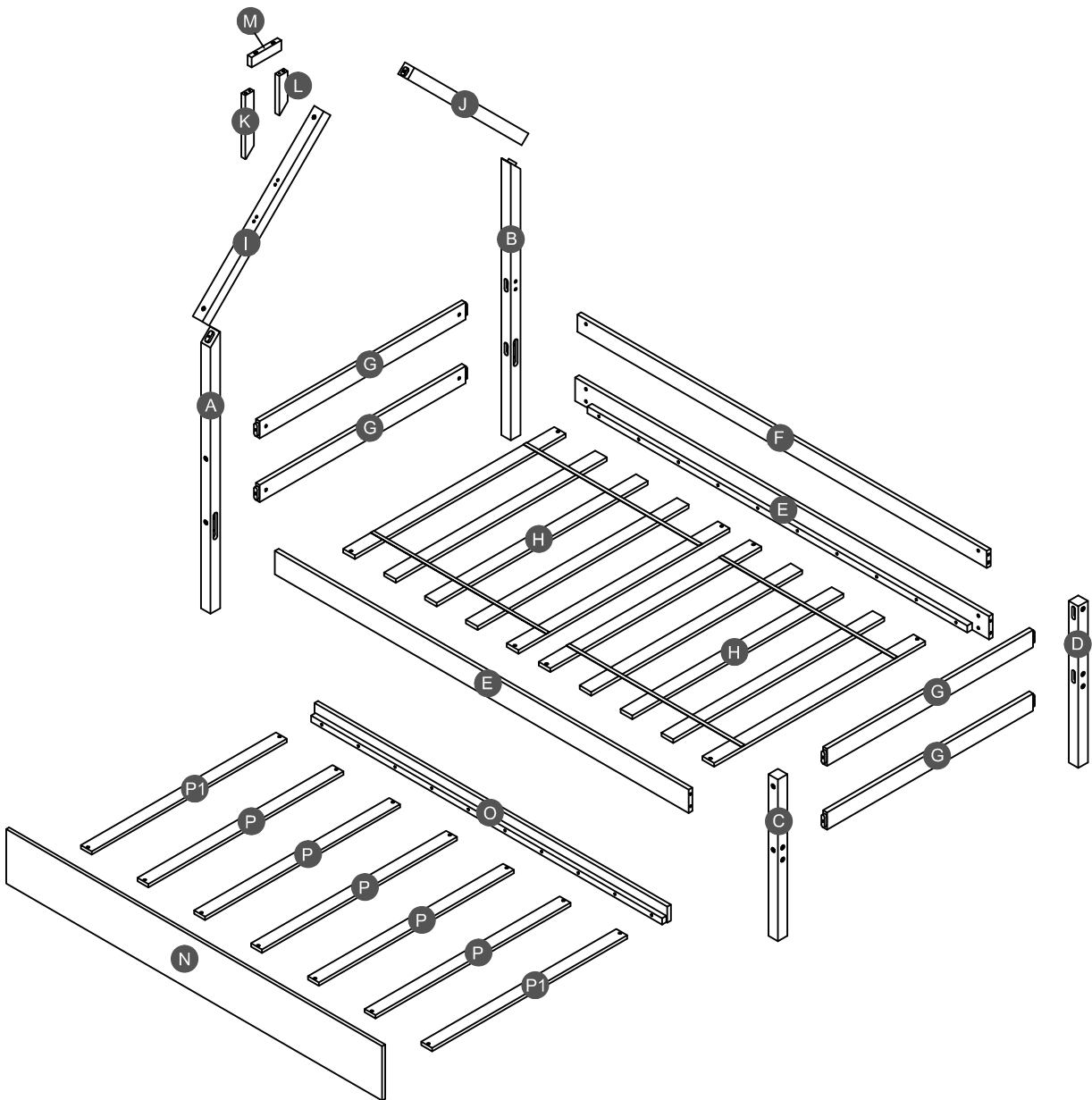
ASSEMBLY INSTRUCTIONS

TWIN BED WITH TRUNDLE

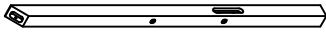
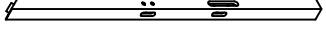
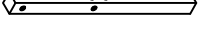
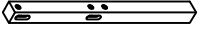

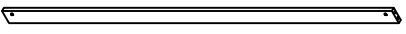
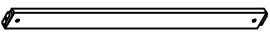
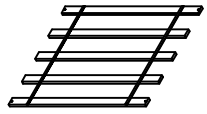
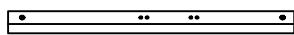
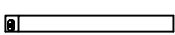
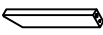
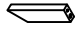
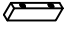



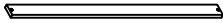


ILA33776




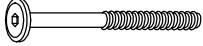



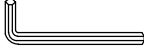


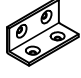
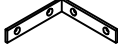
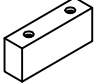
Detail View



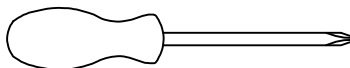
Part List

<p>A</p>  <p>Leg HB (Left Front) - 1pc</p>	<p>B</p>  <p>Leg HB (Left Back) - 1pc</p>	<p>C</p>  <p>Leg FB (Right Front) - 1pc</p>
<p>D</p>  <p>Leg FB (Right Back) - 1pc</p>	<p>E</p>  <p>Side rail - 2pcs</p>	<p>F</p>  <p>Long guard rail (Back) - 1pc</p>
<p>G</p>  <p>Horizontal bar HB/FB - 4pcs</p>	<p>H</p>  <p>Slats - 2sets (5pcs/set)</p>	<p>I</p>  <p>Upper HB (Left Front) - 1pc</p>
<p>J</p>  <p>Upper HB (Back) - 1pc</p>	<p>K</p>  <p>Upper vertical bar HB (Front) - 1pc</p>	<p>L</p>  <p>Upper vertical bar HB (Back) - 1pc</p>
<p>M</p>  <p>Upper Horizontal bar - 1pc</p>	<p>N</p>  <p>Front panel of Trundle - 1pc</p>	<p>O</p>  <p>Back panel side rail of Trundle - 1pc</p>
<p>P</p>  <p>Slats - 5pcs</p>	<p>P1</p>  <p>Slats - 2pcs</p>	

Hardware List

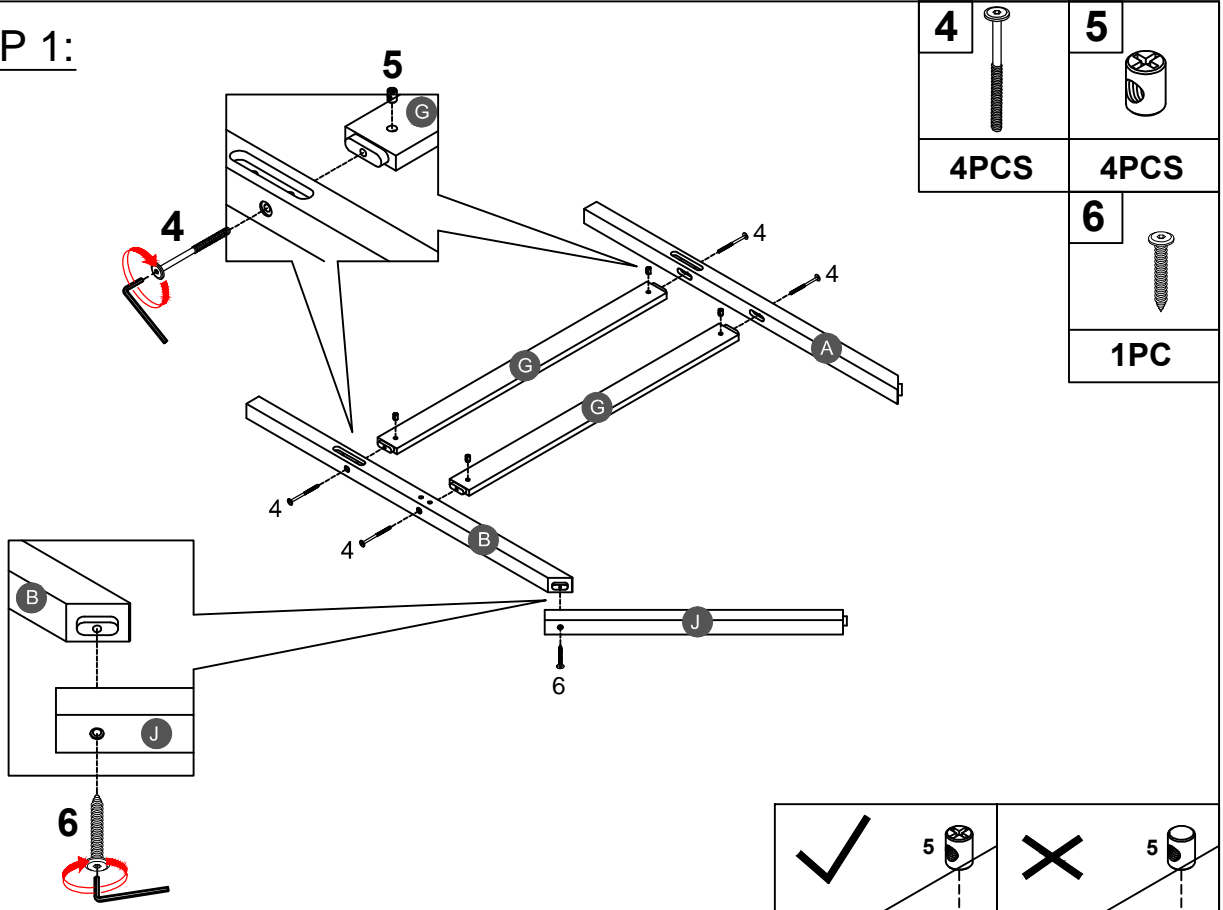
1  Ø8*30mm Wood dowel (4pcs)	2  Ø10*40mm Wood dowel (2pcs)	3  (Ø15)1/4"*100mm Hex-Head bolts (10pcs)
4  (Ø15)1/4"*80mm Hex-Head bolts (8pcs)	5  1/4"*15 (9.5mm) Horizontal-Hole bolts (18pcs)	6  (Ø12)1/4"*65mm Wood screw bolts (7pcs)
7  Ø4*30mm Wood screws (34pcs)	8  (1/4")4.5*58mm Allen key (1pc)	9  100*63*20mm Wheels (4pcs)
10  Ø3.5*15mm Wood screws (16pcs)	11  40*18*18*2mm Metal bracket (2pcs)	12  95*95*18*3mm Metal bracket (2pcs)
13  70*35*19mm Trundle stopper (2pcs)		

ASSEMBLY TOOLS REQUIRED (NOT INCLUDED)



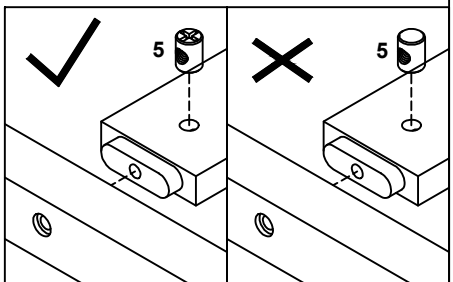
PLEASE BE CAREFUL DO NOT DAMAGE THE HOLE POSITION WHEN YOU USE POWER TOOLS !

STEP 1:

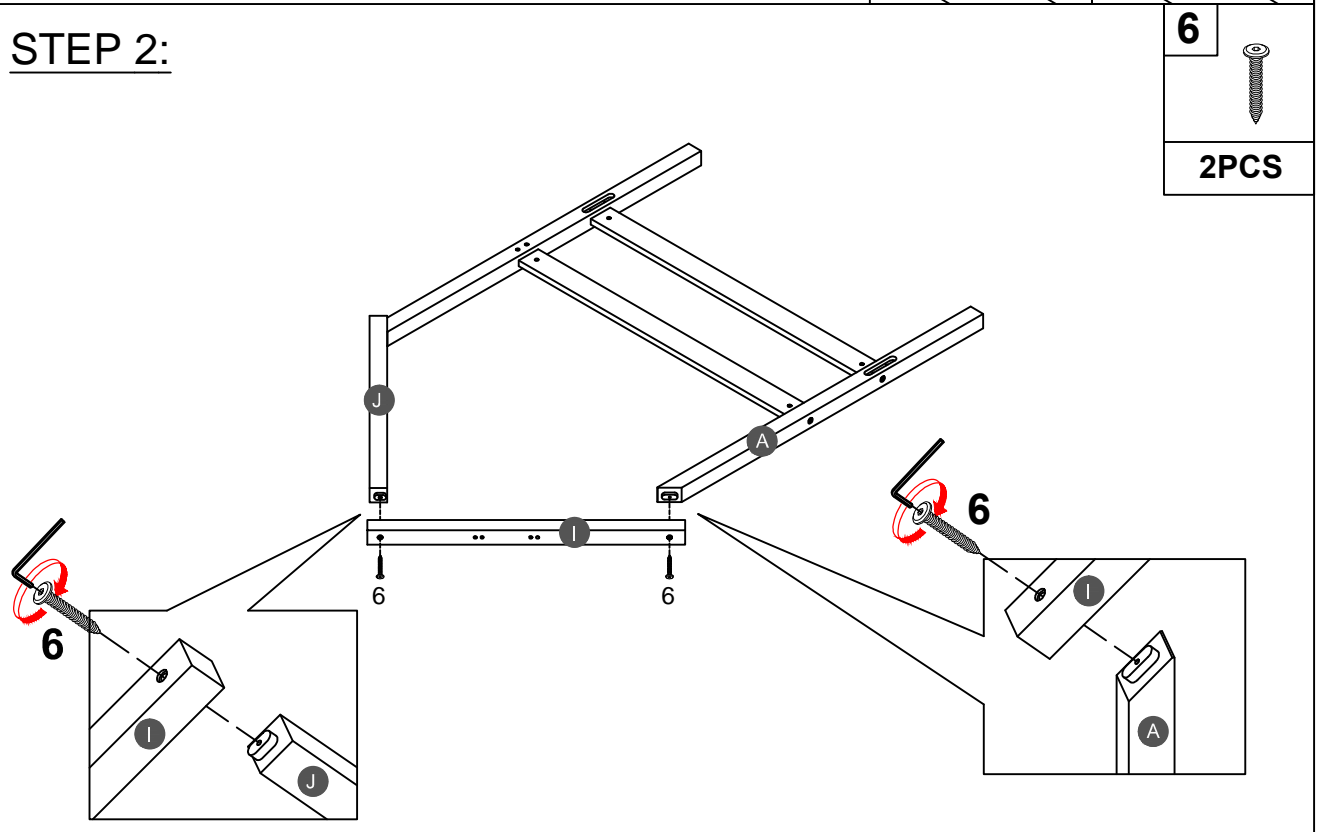


4		5	
4PCS		4PCS	
		6	
		1PC	

Note: Part 5 will face up with the "x" mark on it, otherwise it cannot be tightened

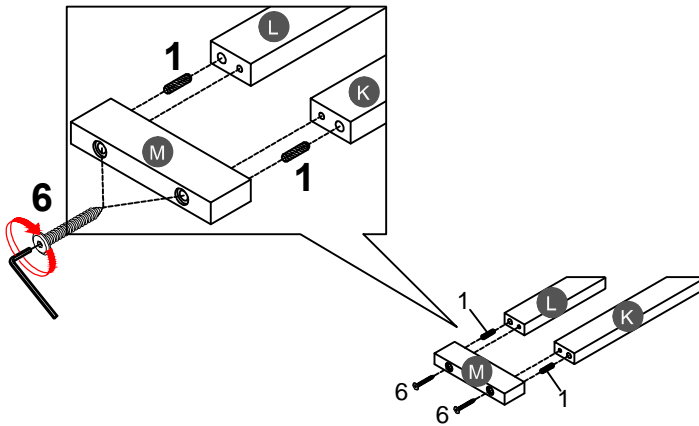




STEP 2:



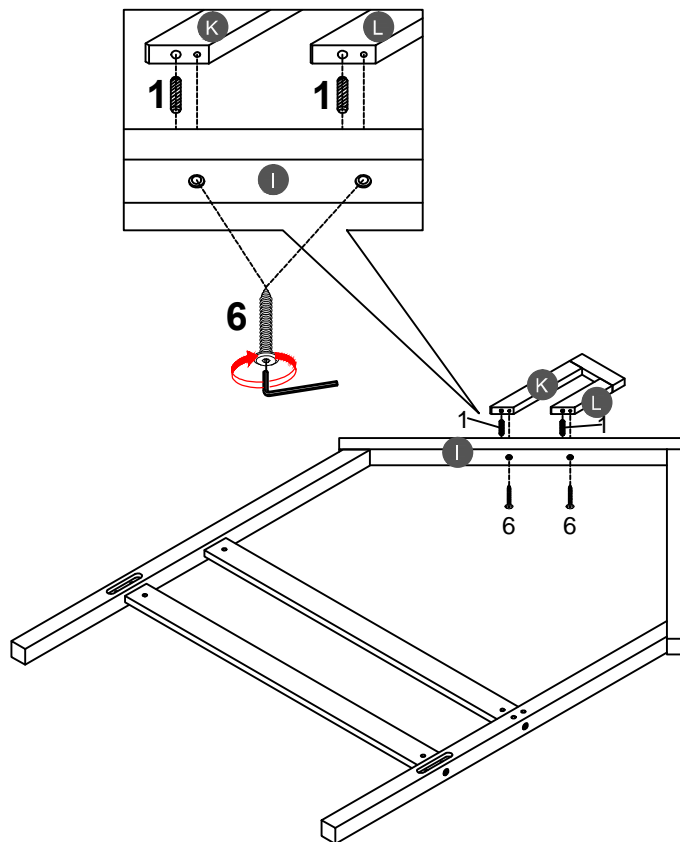
6	
2PCS	



STEP 3:



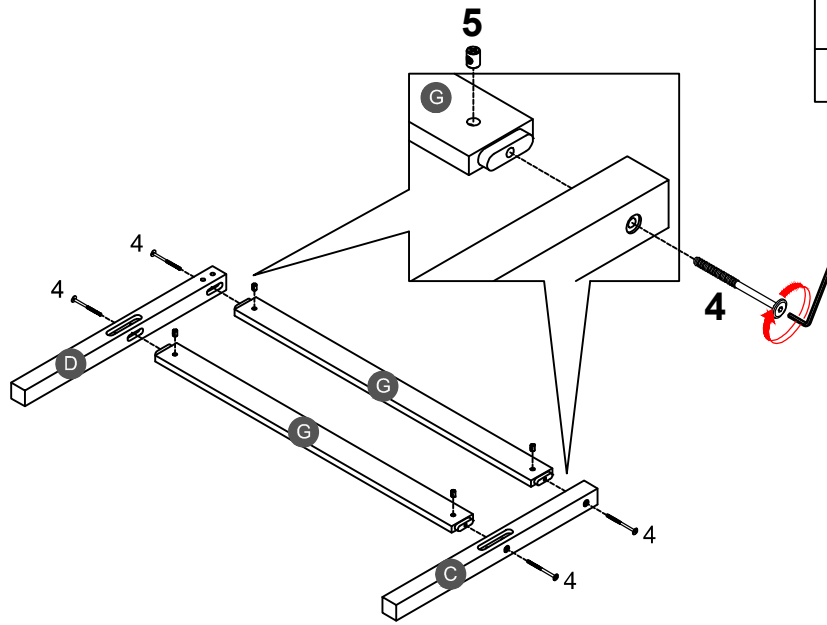
1		6	
2PCS		2PCS	



STEP 4:



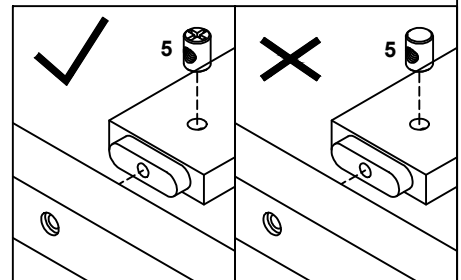
1		6	
2PCS		2PCS	

STEP 5:

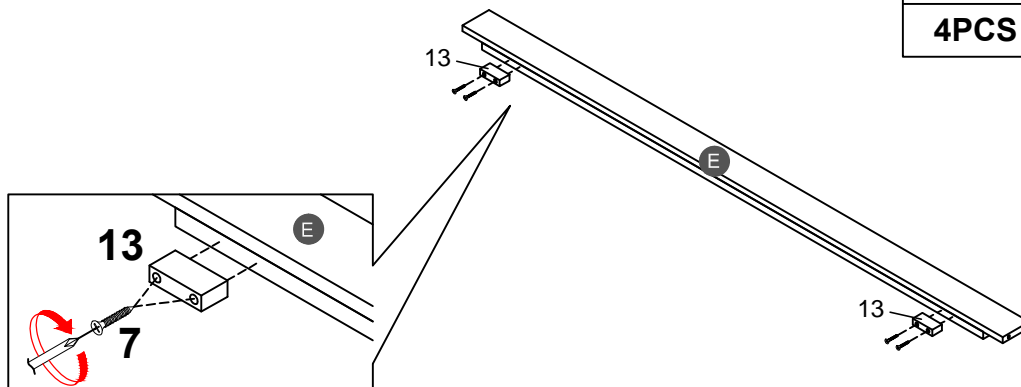



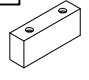
4		5	
4PCS		4PCS	

Note: Part 5 will face up with the "x" mark on it, otherwise it cannot be tightened






STEP 6:

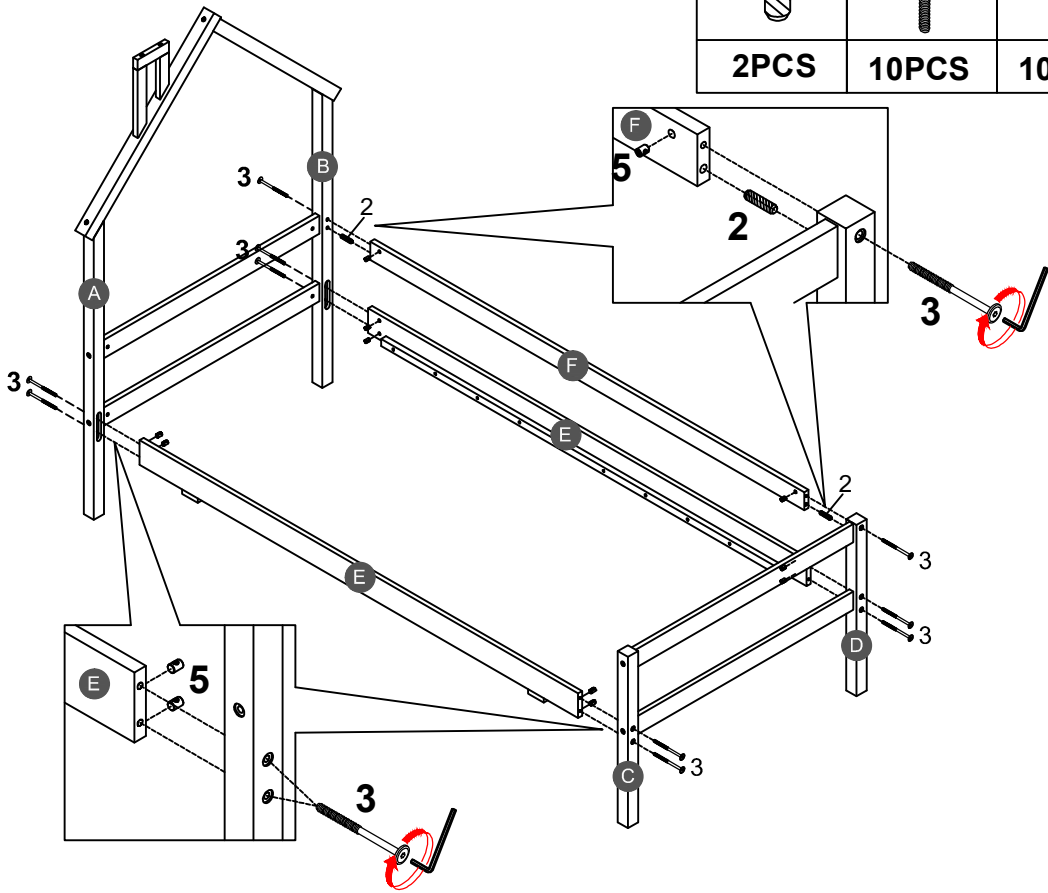


7		13	
4PCS		2PCS	


Trundle stopper (13) with lower side rail front (E) by using screw (7).

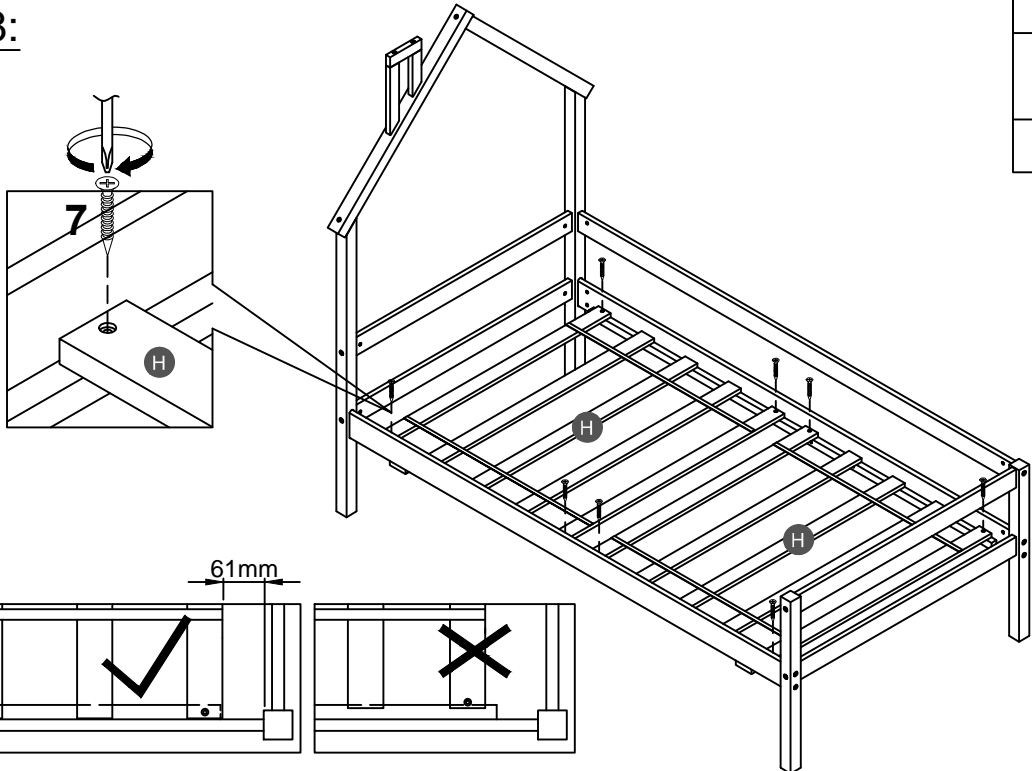
STEP 7:

2		3		5	
2PCS		10PCS		10PCS	





STEP 8:

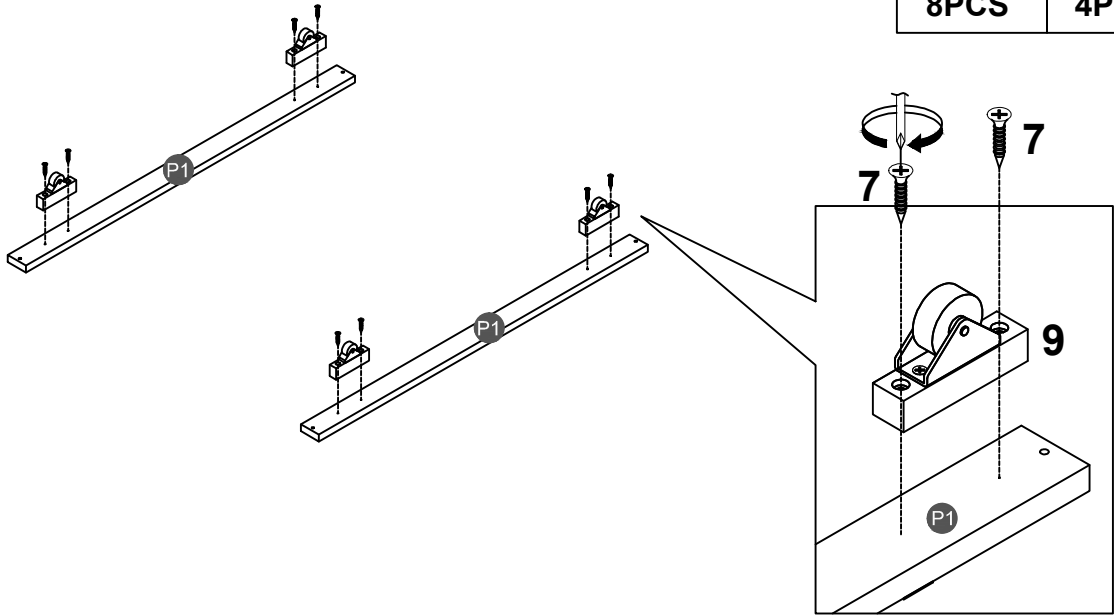
7	
8PCS	




Note: Do not lock the screws of the bed slats to the outermost edge of the bed slats, you need to leave a certain space at the edges, otherwise it will cause the board to break. Do not lock the bed slats on the edge of the wood, please hold firmly before screwing , hold it in place with one hand, then lock the screw.

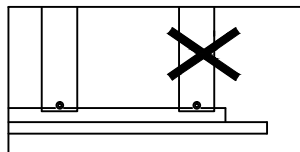
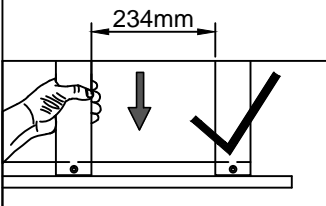
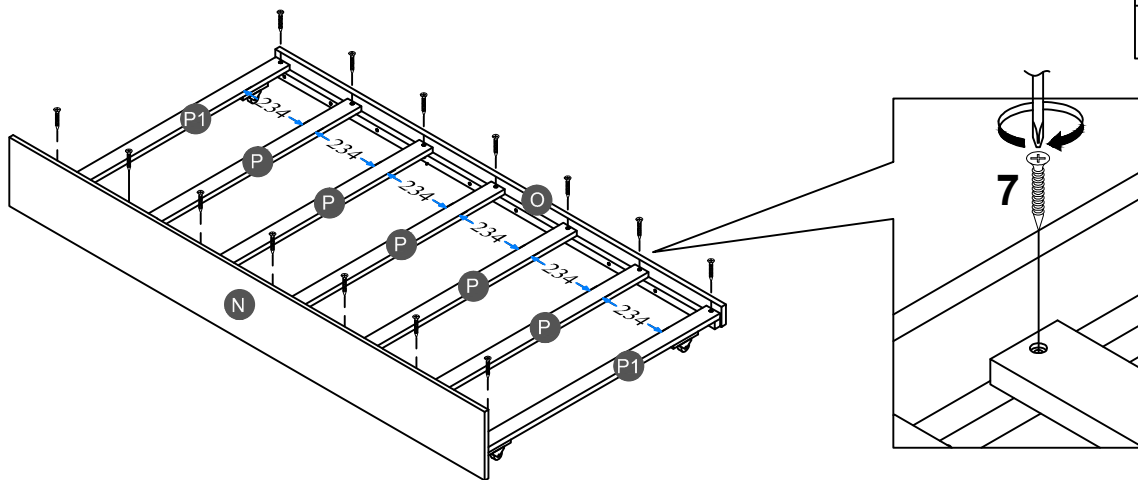
STEP 9:

7		9	
8PCS		4PCS	





STEP 10:

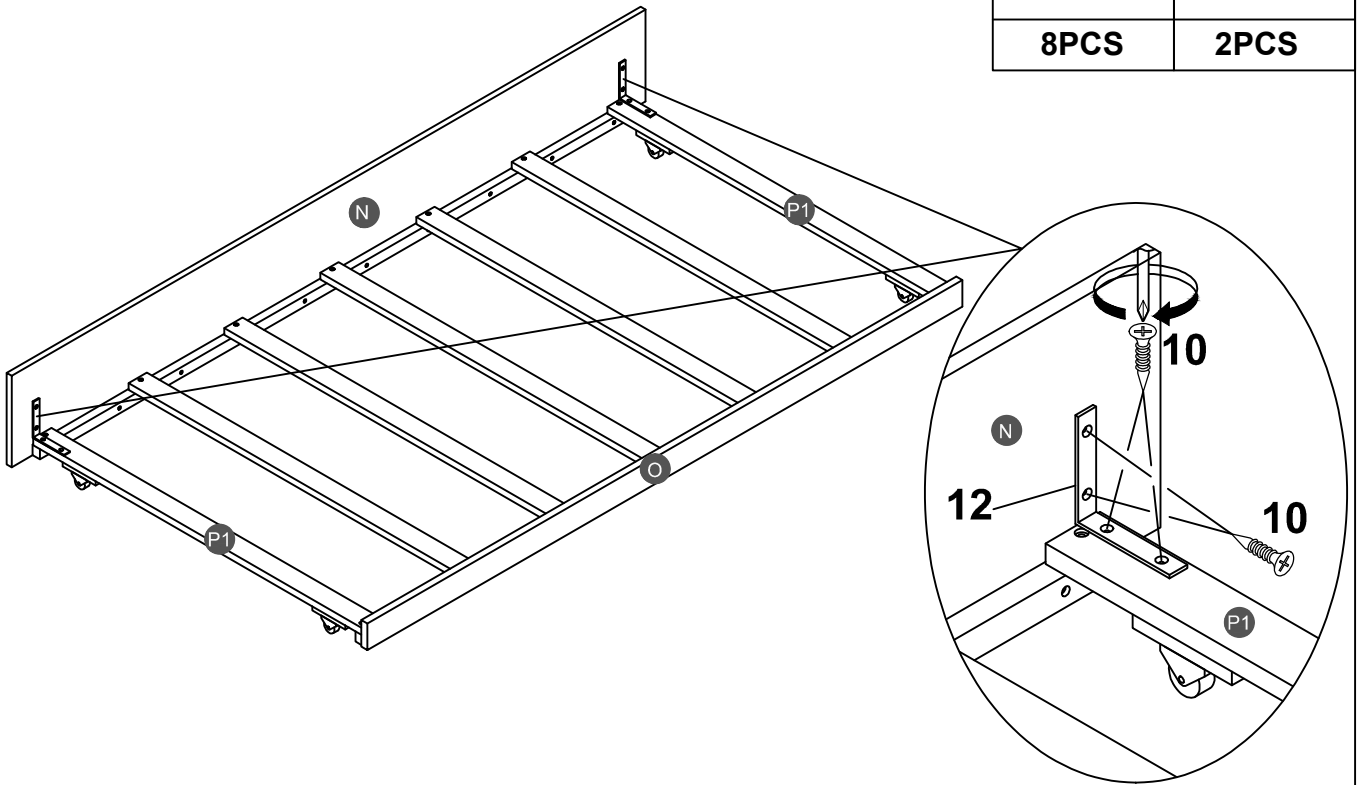
7	
14PCS	




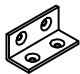
Note: Do not lock the screws of the bed slats to the outermost edge of the bed slats, you need to leave a certain space at the edges, otherwise it will cause the board to break.
Do not lock the bed slats on the edge of the wood, please hold firmly before screwing, hold it in place with one hand, then lock the screw.

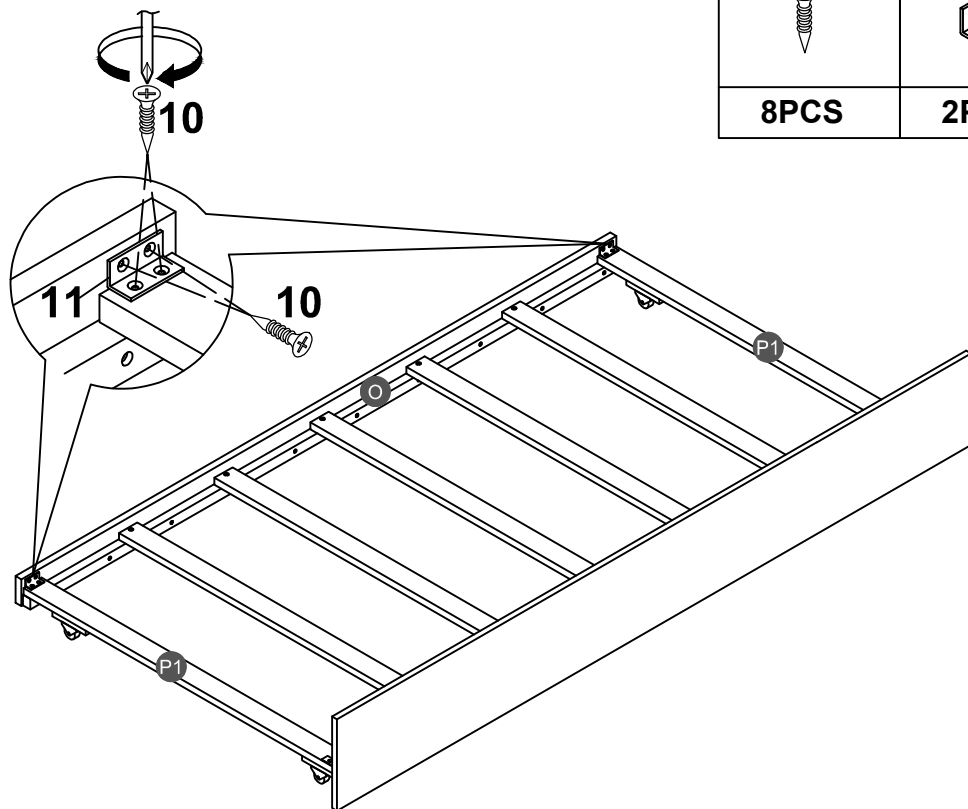
STEP 11:

10	12
	
8PCS	2PCS

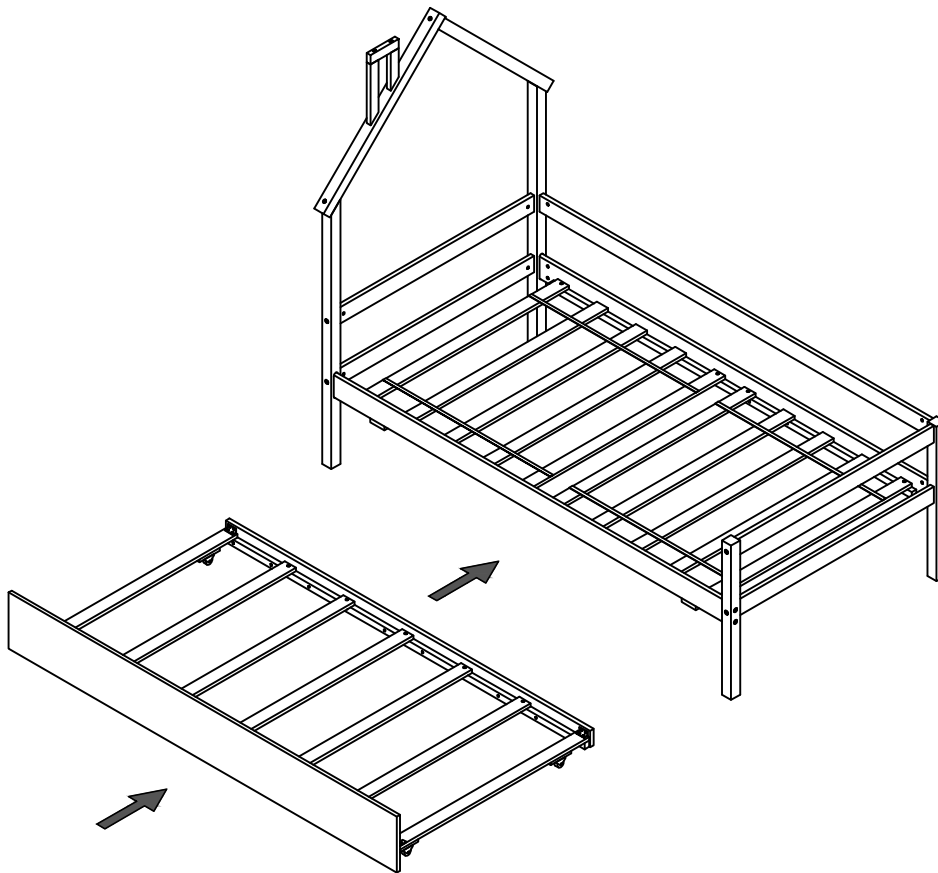


STEP 12:

10	11
	
8PCS	2PCS



STEP 13:



Push Trundle and Drawer under the bottom of Bunkbed.

