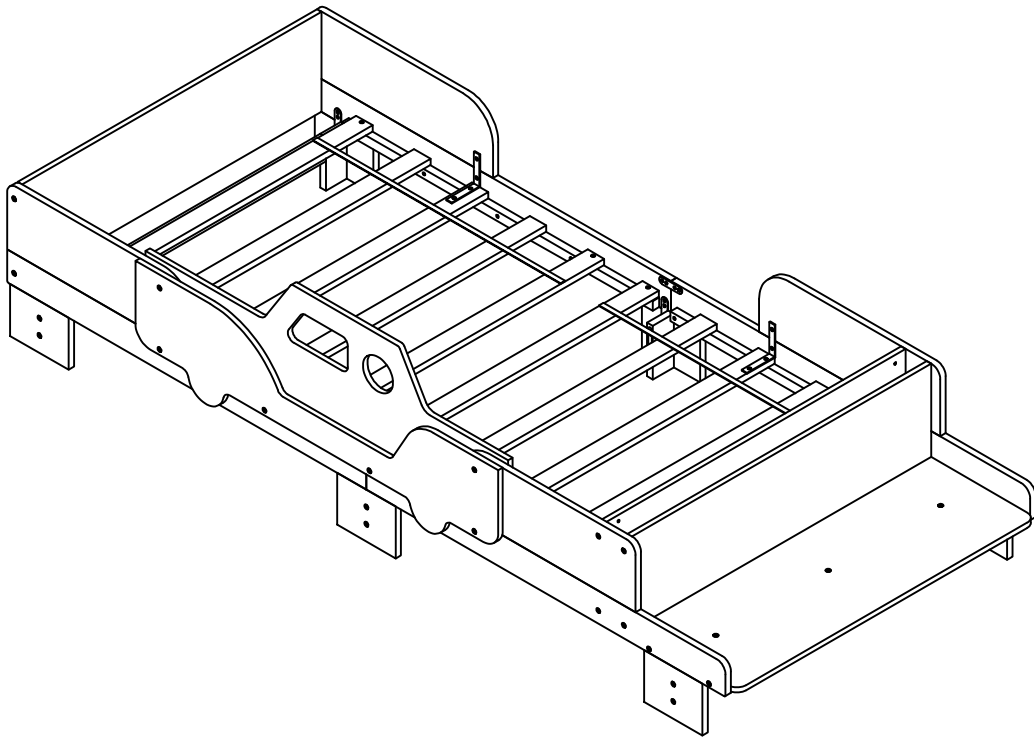


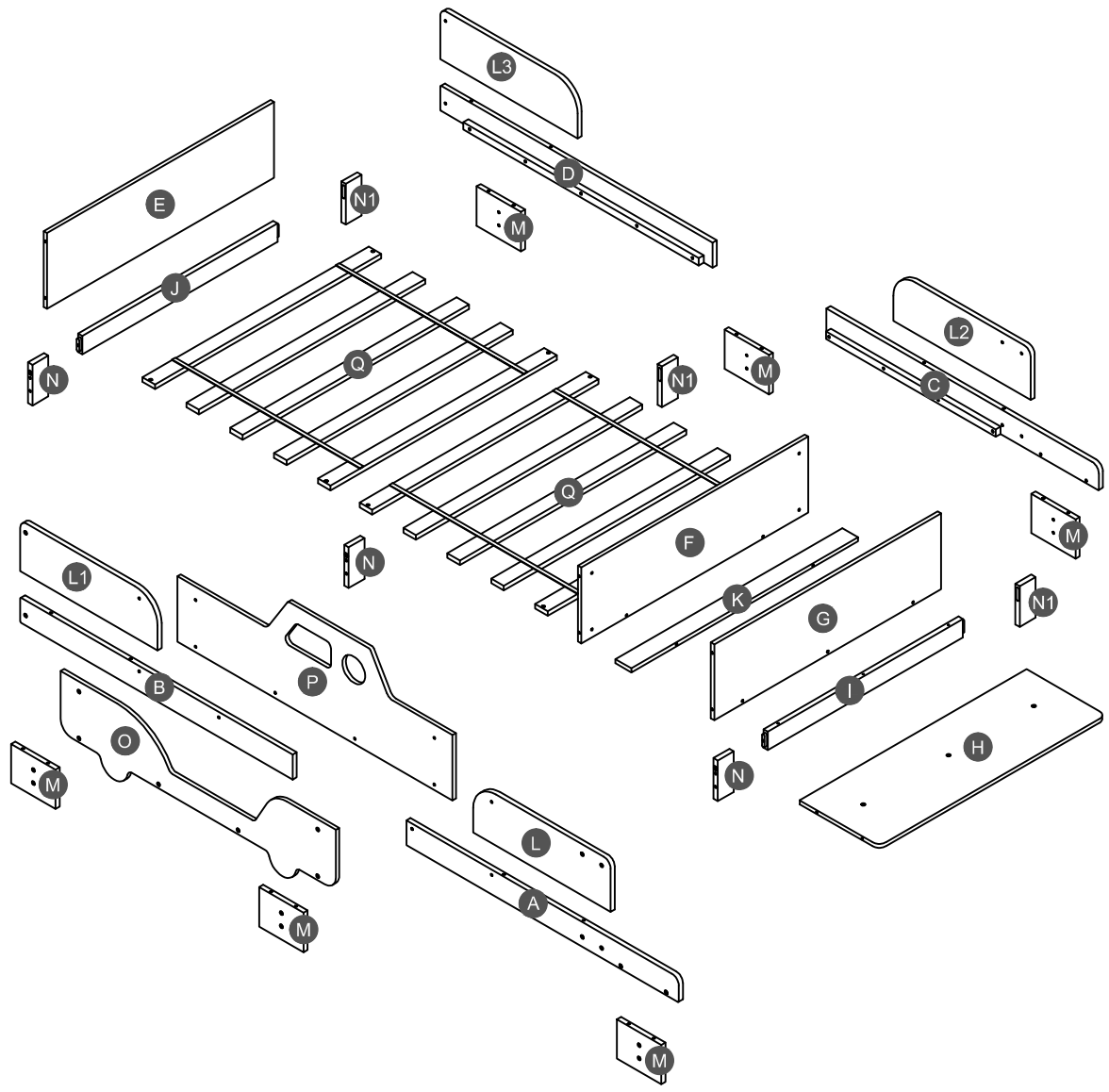
# ASSEMBLY INSTRUCTIONS

## TWIN BED

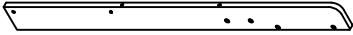
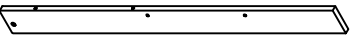
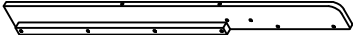
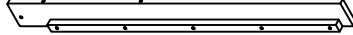

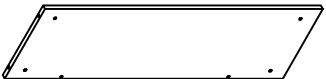

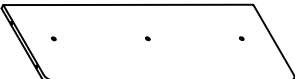


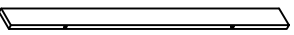

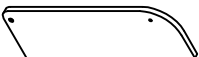
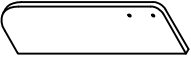
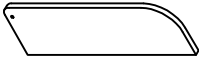



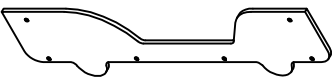
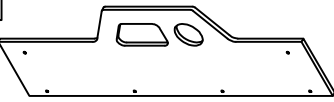
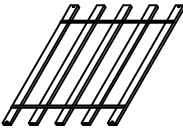


**ILA33770**

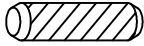
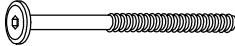
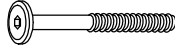





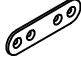
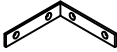
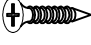
# Detail View



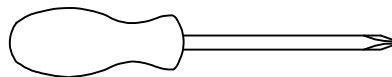
# Part List

<p><b>A</b></p>  <p>Side rail (Left front) - 1pc</p>	<p><b>B</b></p>  <p>Side rail (Left back) - 1pc</p>	<p><b>C</b></p>  <p>Side rail (Right front) - 1pc</p>
<p><b>D</b></p>  <p>Side rail (Right back) - 1pc</p>	<p><b>E</b></p>  <p>Back panel - 1pc</p>	<p><b>F</b></p>  <p>Divider panel - 1pc</p>
<p><b>G</b></p>  <p>Divider panel - 1pc</p>	<p><b>H</b></p>  <p>Front panel - 1pc</p>	<p><b>I</b></p>  <p>Horizontal bar (Front) - 1pc</p>
<p><b>J</b></p>  <p>Horizontal bar (Back) - 1pc</p>	<p><b>K</b></p>  <p>Horizontal bar (Divider) - 1pc</p>	<p><b>L</b></p>  <p>Side panel (Left front) - 1pc</p>
<p><b>L1</b></p>  <p>Side panel (Left back) - 1pc</p>	<p><b>L2</b></p>  <p>Side panel (Right front) - 1pc</p>	<p><b>L3</b></p>  <p>Side panel (Right back) - 1pc</p>
<p><b>M</b></p>  <p>Leg - 6pcs</p>	<p><b>N</b></p>  <p>Support leg - 3pcs</p>	<p><b>N1</b></p>  <p>Support leg - 3pcs</p>
<p><b>O</b></p>  <p>Side panel - 1pc</p>	<p><b>P</b></p>  <p>Side panel - 1pc</p>	<p><b>Q</b></p>  <p>Slat - 2Set (1Set = 5pcs)</p>

# Hardware List

<b>1</b>  Ø8*30mm Wood dowel (27pcs)	<b>2</b>  (Ø15)1/4"*100mm Hex-Head bolts (4pcs)	<b>3</b>  (Ø12)1/4"*60mm Hex-Head bolts (28pcs)
<b>4</b>  (Ø12)1/4"*40mm Hex-Head bolts (6pcs)	<b>5</b>  1/4"*15 (9.5mm) Horizontal-Hole bolts(32pcs)	<b>6</b>  (Ø12)1/4"*40mm Hex-Head bolts (3pcs)
<b>7</b>  (1/4")4.5*58mm Allen key (1pc)	<b>8</b>  Ø4*30mm Wood screws (8pcs)	<b>9</b>  75*20*2 mm Metal bracket (5pcs)
<b>10</b>  95*95*18*3mm Metal bracket (2pcs)	<b>11</b>  Ø3.5*15mm Wood screws (28pcs)	

## ASSEMBLY TOOLS REQUIRED ( NOT INCLUDED )



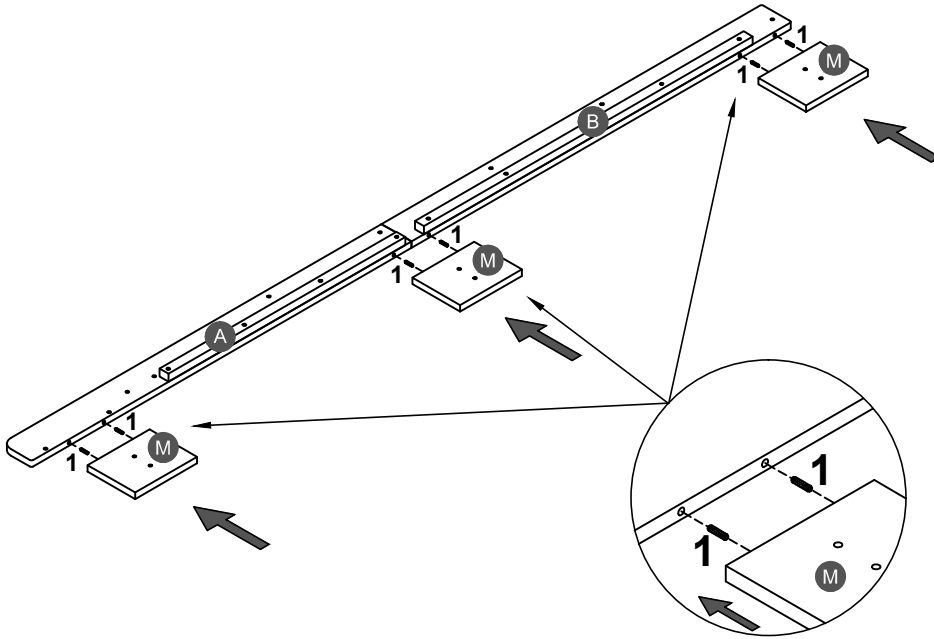
PLEASE BE CAREFUL DO NOT DAMAGE THE HOLE POSITION WHEN YOU USE POWER TOOLS !

STEP 1:

1



6PCS

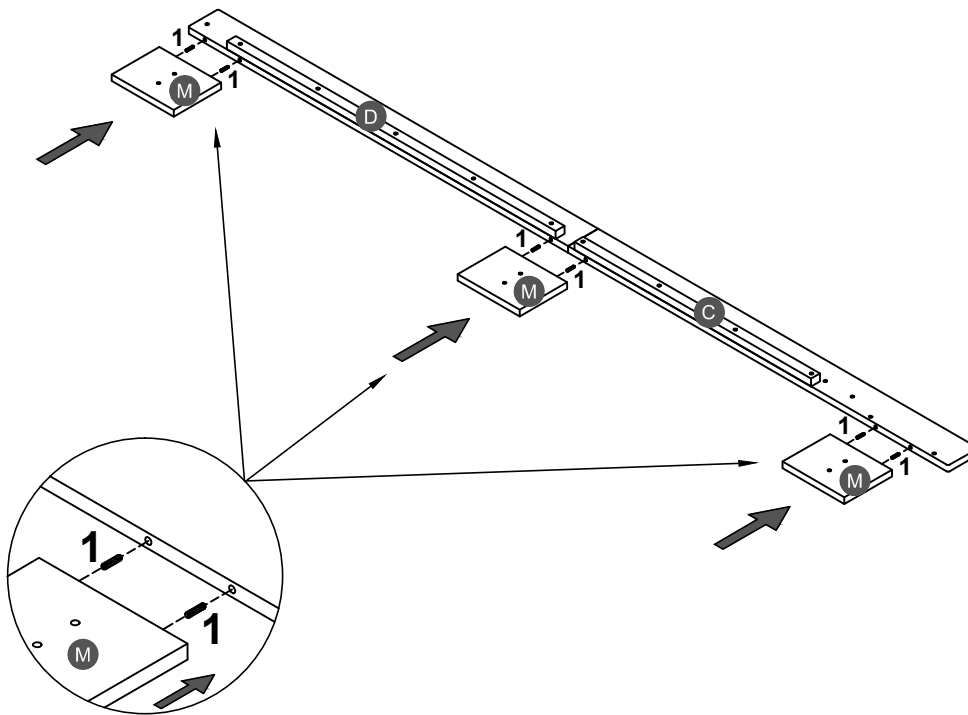


STEP 2:

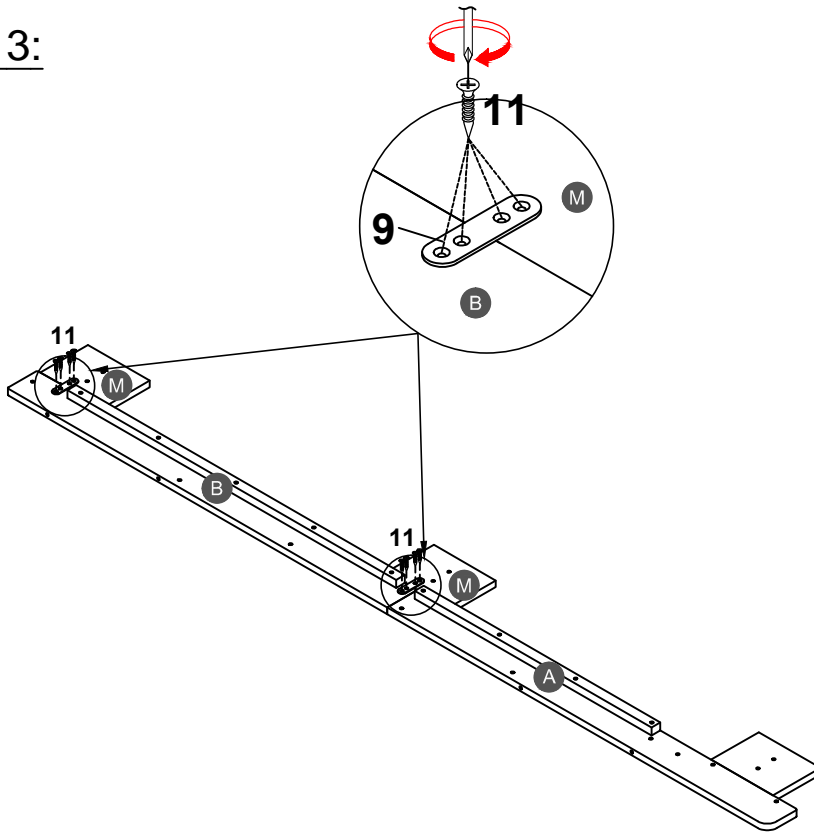
1

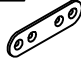



6PCS

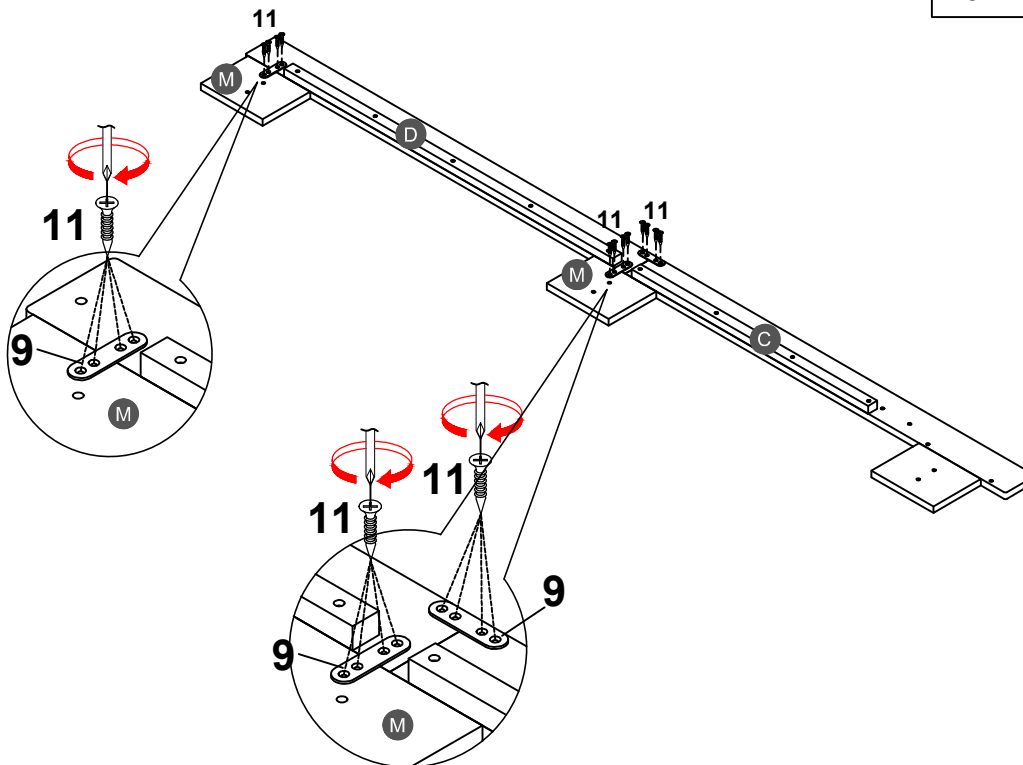


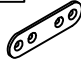

**STEP 3:**



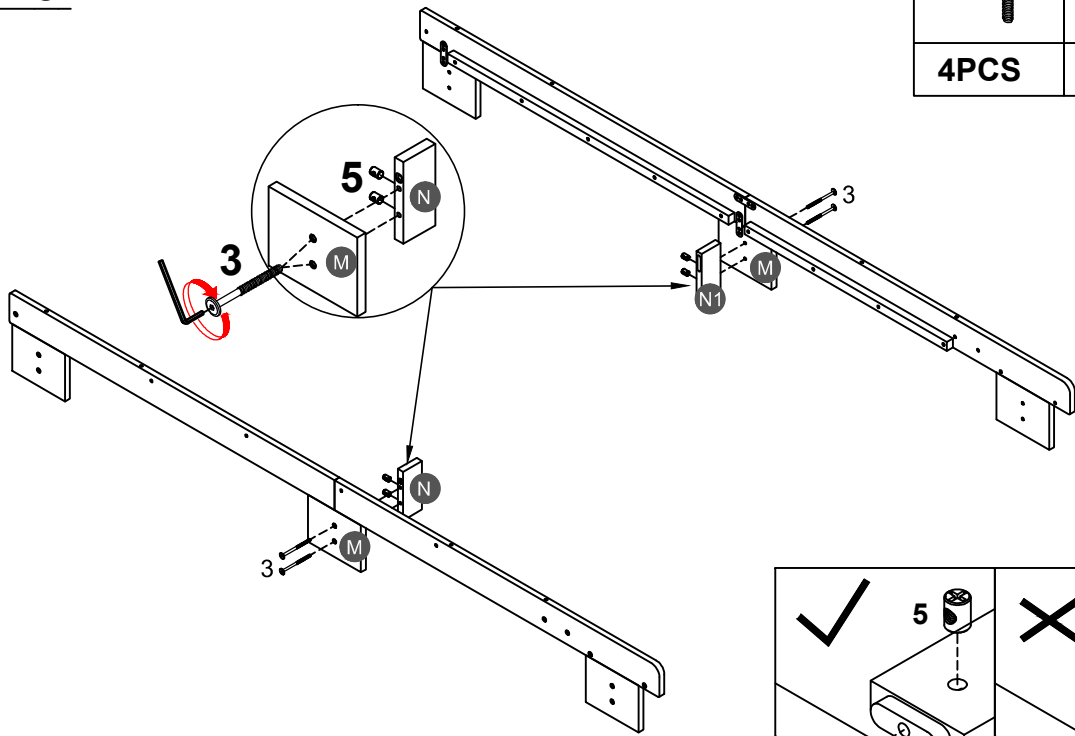
<b>9</b> 	<b>11</b> 
<b>2PCS</b>	<b>8PCS</b>



**STEP 4:**



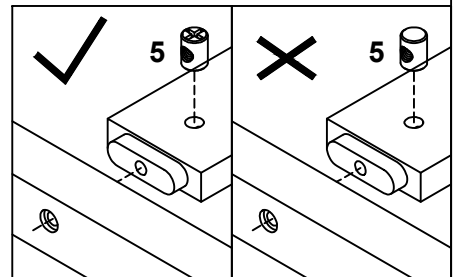
<b>9</b> 	<b>11</b> 
<b>3PCS</b>	<b>12PCS</b>

### STEP 5:

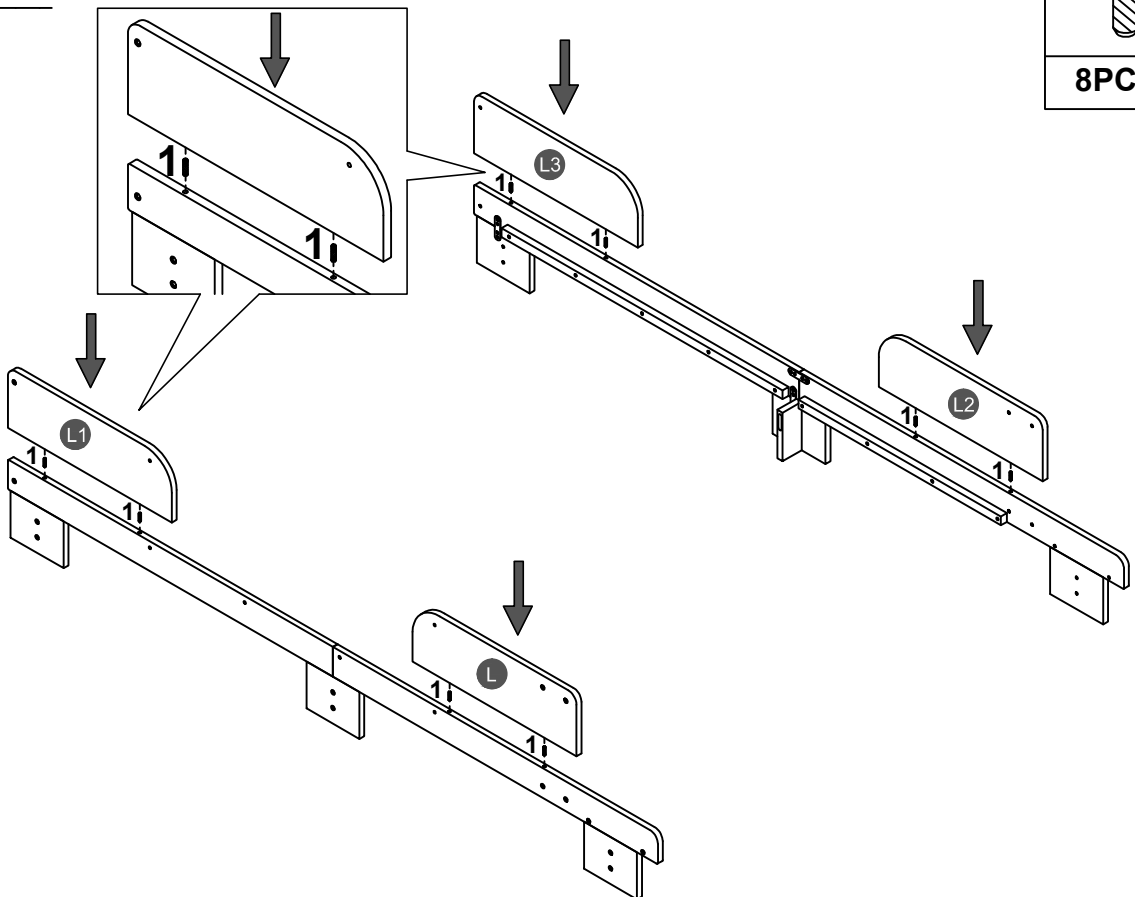



<b>3</b>		<b>5</b>	
<b>4PCS</b>		<b>4PCS</b>	

Note: Part 5 will face up with the "x" mark on it, otherwise it cannot be tightened





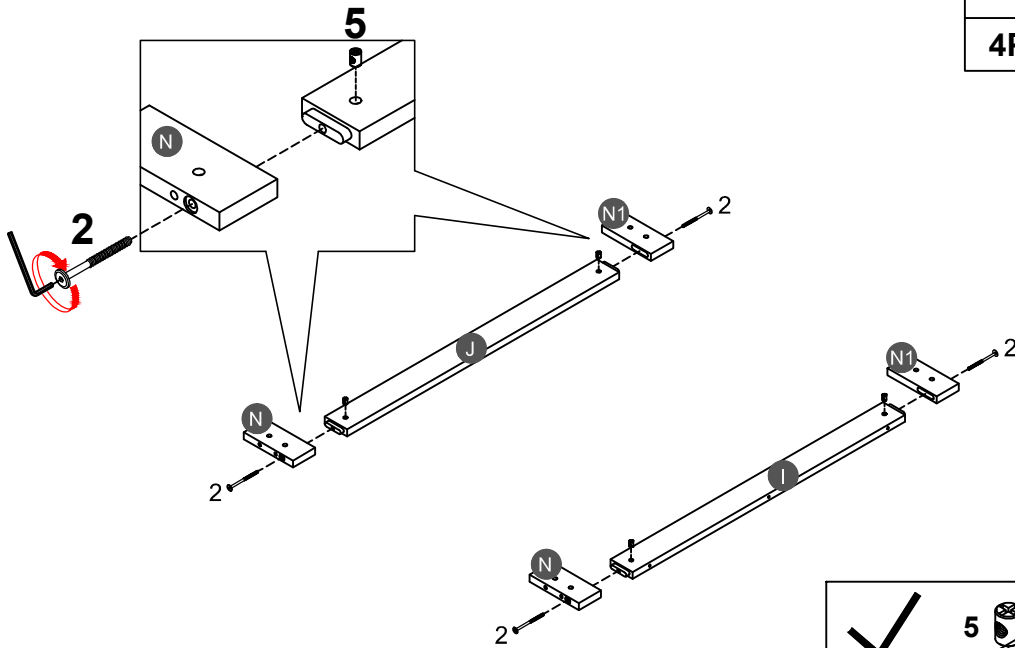
### STEP 6:



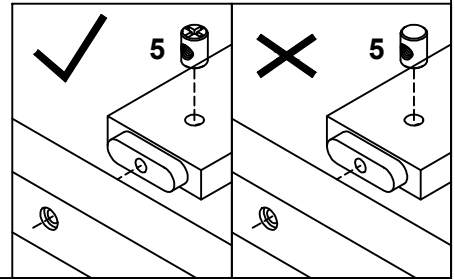
<b>1</b>	
<b>8PCS</b>	

**STEP 7:**


<b>2</b>		<b>5</b>	
<b>4PCS</b>		<b>4PCS</b>	

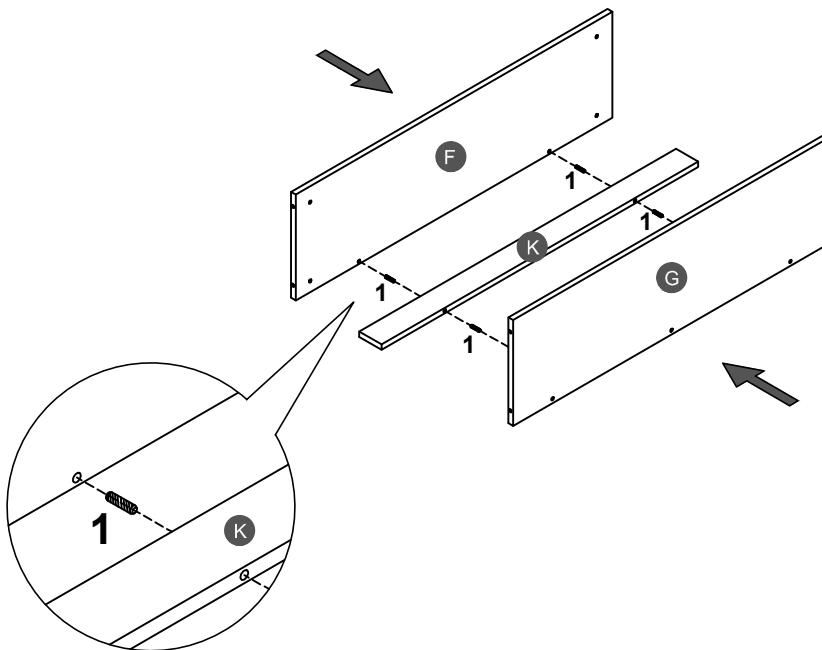


Note: Part 5 will face up with the "x" mark on it, otherwise it cannot be tightened



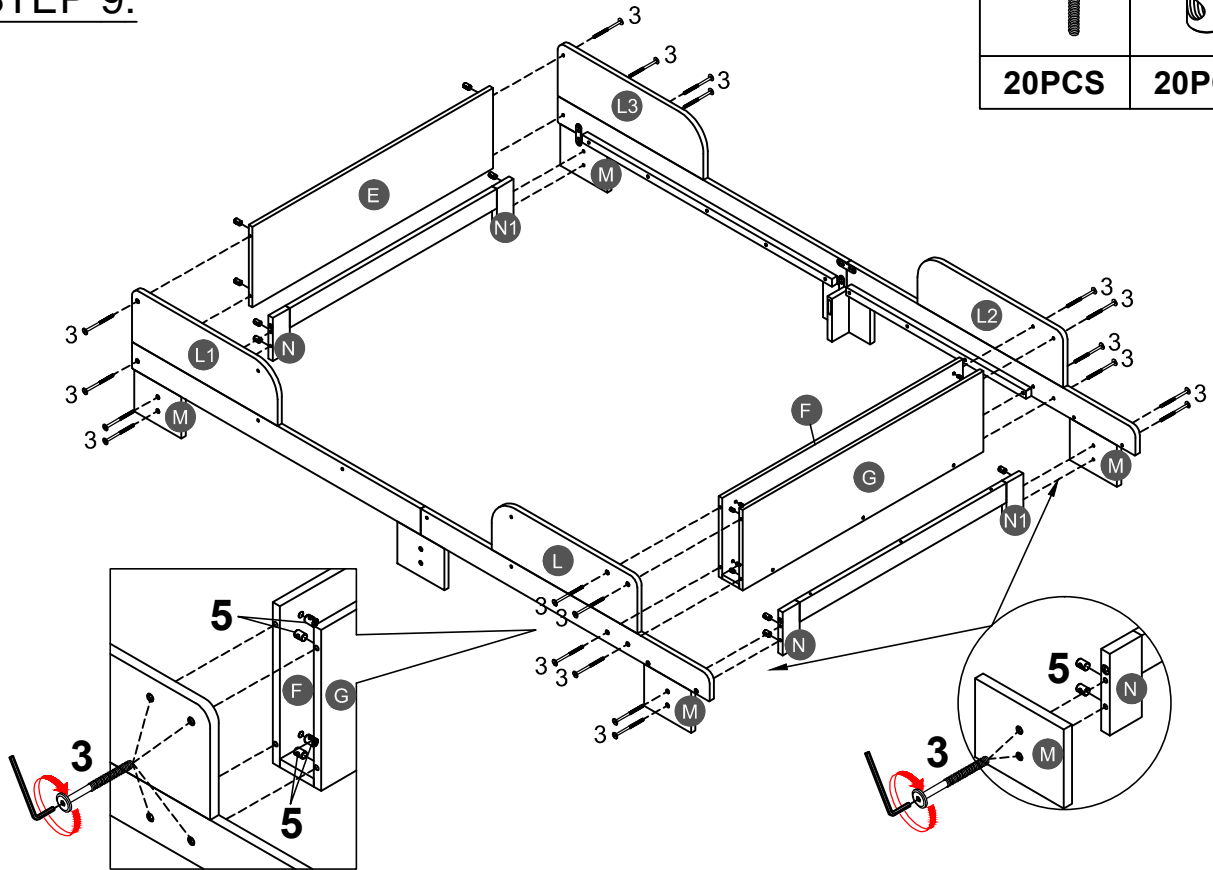
**STEP 8:**



<b>1</b>	
<b>4PCS</b>	



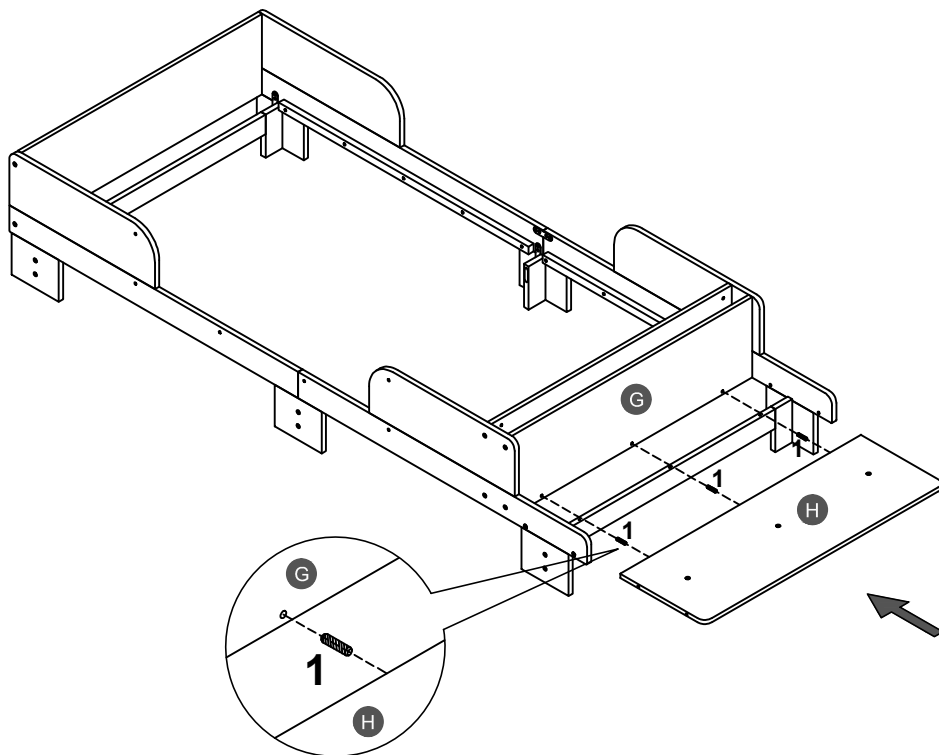



**STEP 9:**



<b>3</b>		<b>5</b>	
<b>20PCS</b>		<b>20PCS</b>	

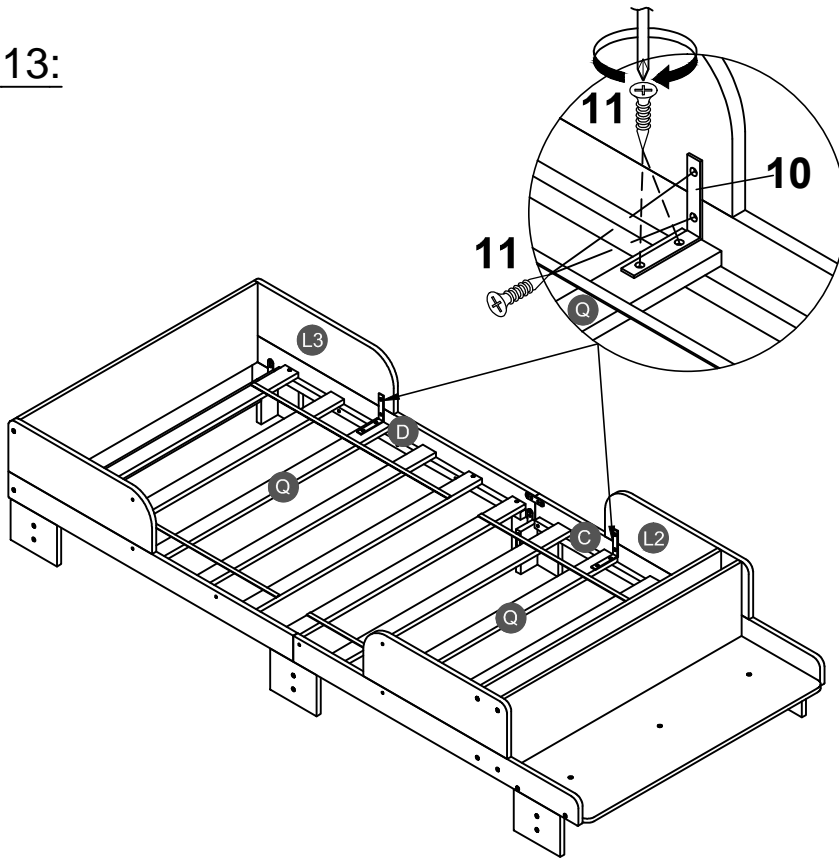
**STEP 10:**



<b>1</b>	
<b>3PCS</b>	



**STEP 13:**



**10**



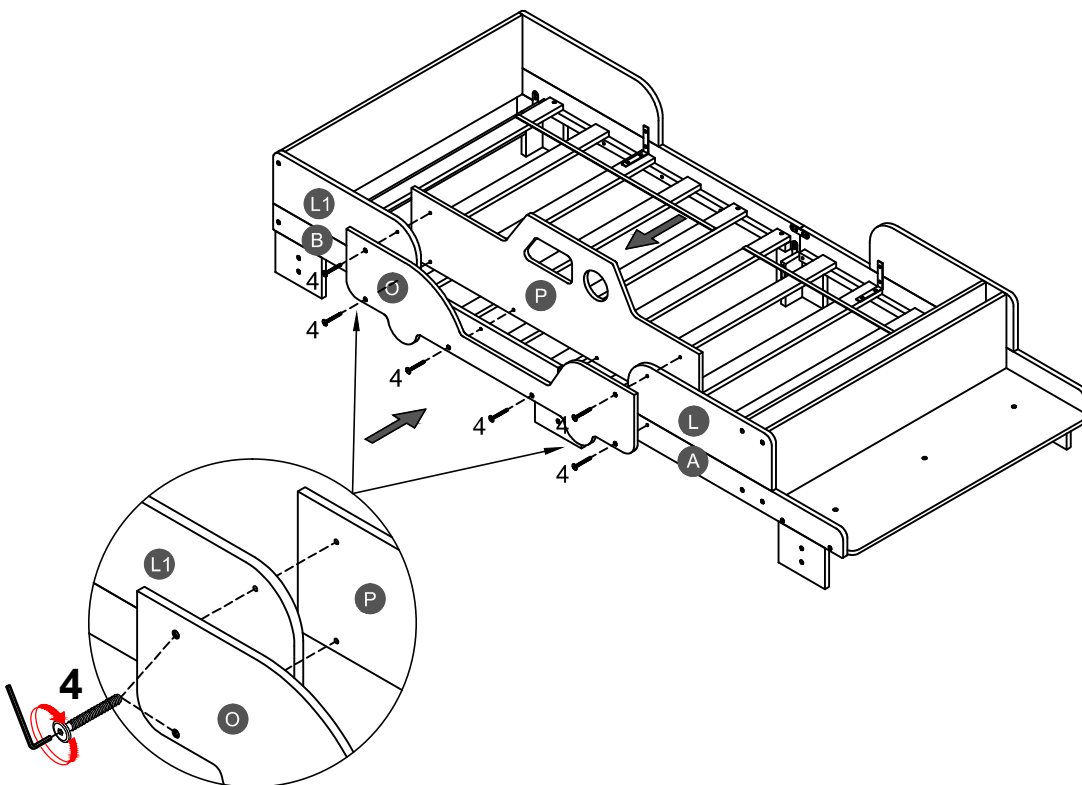
**2PCS**

**11**



**8PCS**

**STEP 14:**



**4**



**6PCS**