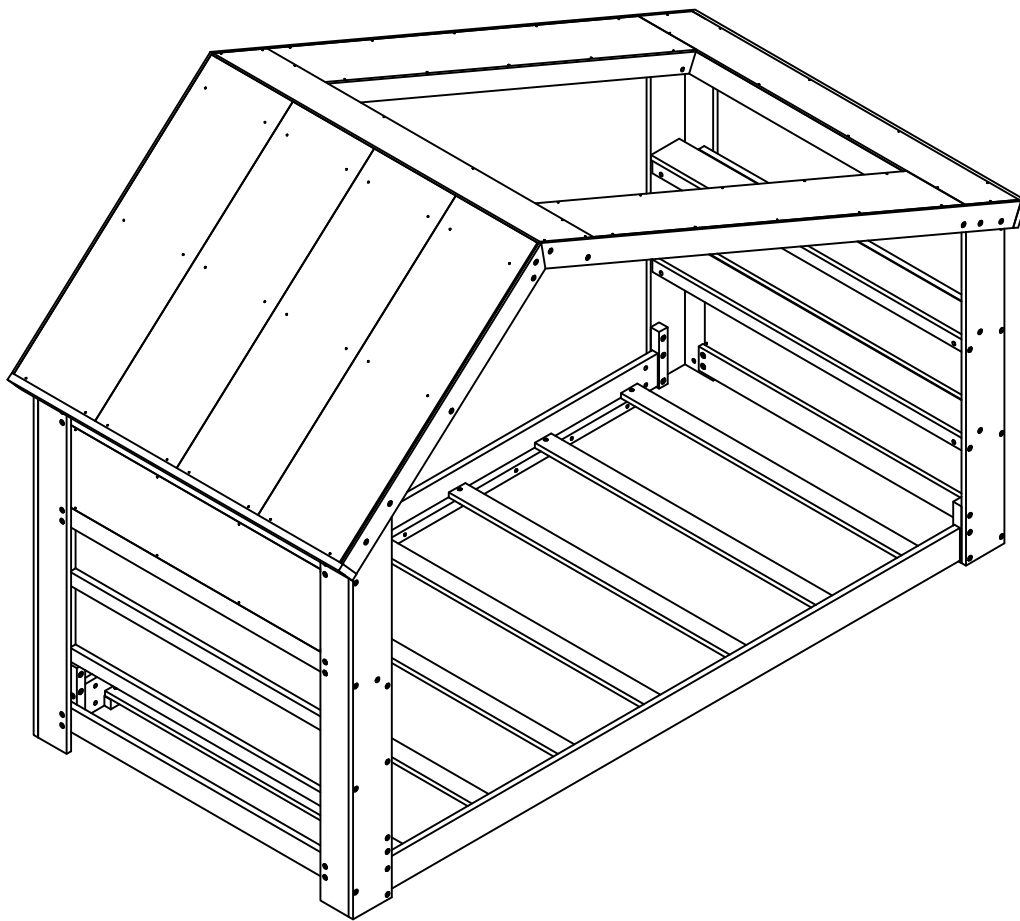

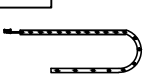

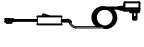


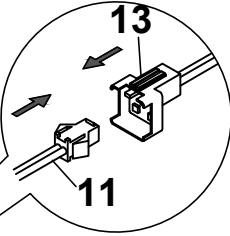
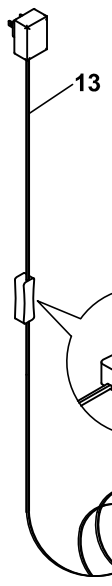
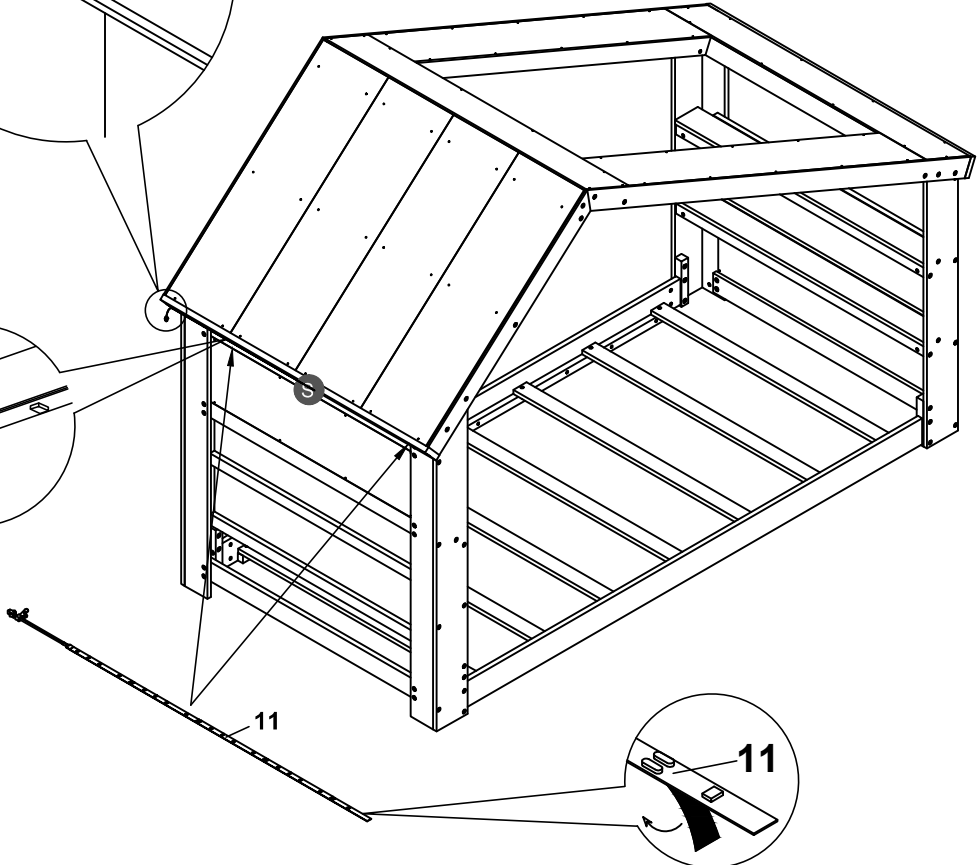
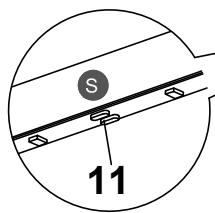
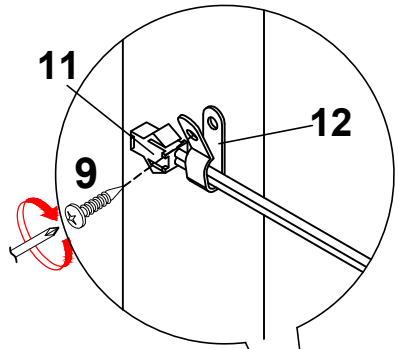
ASSEMBLY INSTRUCTIONS

TWIN HOUSE BED



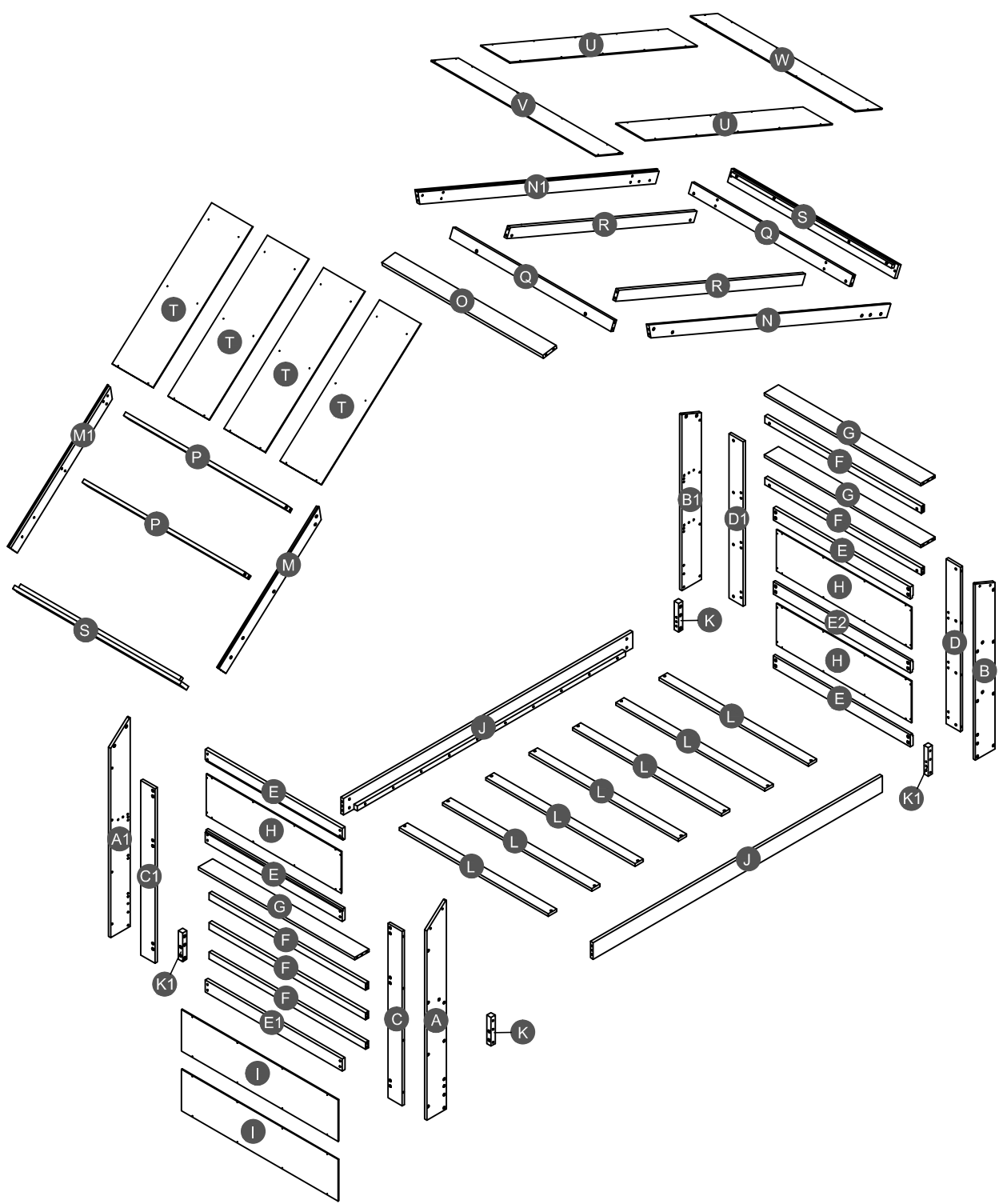
ILA33767

9 	11 	12 
1PC	1PC	1PC
		13 
		1PC



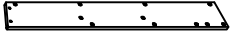
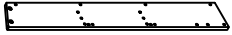
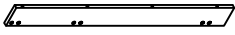

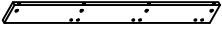
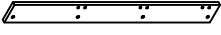
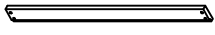

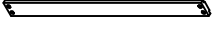

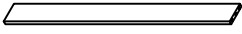
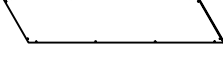
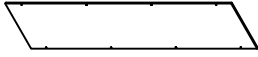

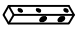
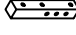
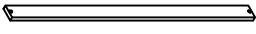




Attach the LED strip and switch after assembling the product, as indicated in the instruction.

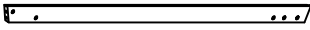
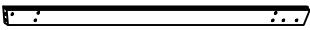
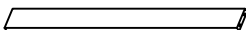
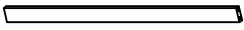
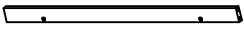
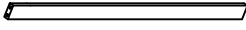

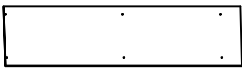

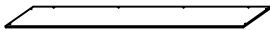

Detail View





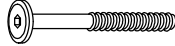









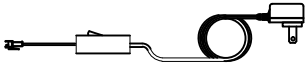
Part List

<p>A</p>  <p>Leg HB (Left Front) - 1pc</p>	<p>A1</p>  <p>Leg HB (Left Back) - 1pc</p>	<p>B</p>  <p>Leg FB (Right Front) - 1pc</p>
<p>B1</p>  <p>Leg FB (Right Back) - 1pc</p>	<p>C</p>  <p>Support leg (Left Front) - 1pc</p>	<p>C1</p>  <p>Support leg (Left Back) - 1pc</p>
<p>D</p>  <p>Support leg (Right Front) - 1pc</p>	<p>D1</p>  <p>Support leg (Right Back) - 1pc</p>	<p>E</p>  <p>Horizontal bar HB/FB - 4pcs</p>
<p>E1</p>  <p>Lower horizontal bar HB - 1pc</p>	<p>E2</p>  <p>Divider horizontal bar FB - 1pc</p>	<p>F</p>  <p>Horizontal bar HB/FB - 5pcs</p>
<p>G</p>  <p>Shelf panel HB/FB - 3pcs</p>	<p>H</p>  <p>Side panel HB/FB - 3pcs</p>	<p>I</p>  <p>Lower side panel HB - 2pcs</p>
<p>J</p>  <p>Side rail - 2pcs</p>	<p>K</p>  <p>Support side rail - 2pcs</p>	<p>K1</p>  <p>Support side rail - 2pcs</p>
<p>L</p>  <p>Slats - 7pcs</p>	<p>M</p>  <p>Upper horizontal bar (Left front) - 1pc</p>	<p>M1</p>  <p>Upper horizontal bar (Left back) - 1pc</p>

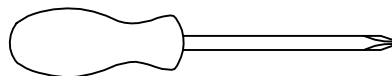
Part List

<p>N</p>  <p>Upper horizontal bar (Right front) - 1pc</p>	<p>N1</p>  <p>Upper horizontal bar (Right back) - 1pc</p>	<p>O</p>  <p>Upper horizontal bar (Divider) - 1pc</p>
<p>P</p>  <p>Upper support (Left) - 2pcs</p>	<p>Q</p>  <p>Upper support (Right) - 2pcs</p>	<p>R</p>  <p>Upper support (Front/back) - 2pcs</p>
<p>S</p>  <p>Upper support - 2pcs</p>	<p>T</p>  <p>Top panel (Left) - 4pcs</p>	<p>U</p>  <p>Top panel (Right) - 2pcs</p>
<p>V</p>  <p>Top panel (Right) - 1pc</p>	<p>W</p>  <p>Top panel (Right) - 1pc</p>	

Hardware List

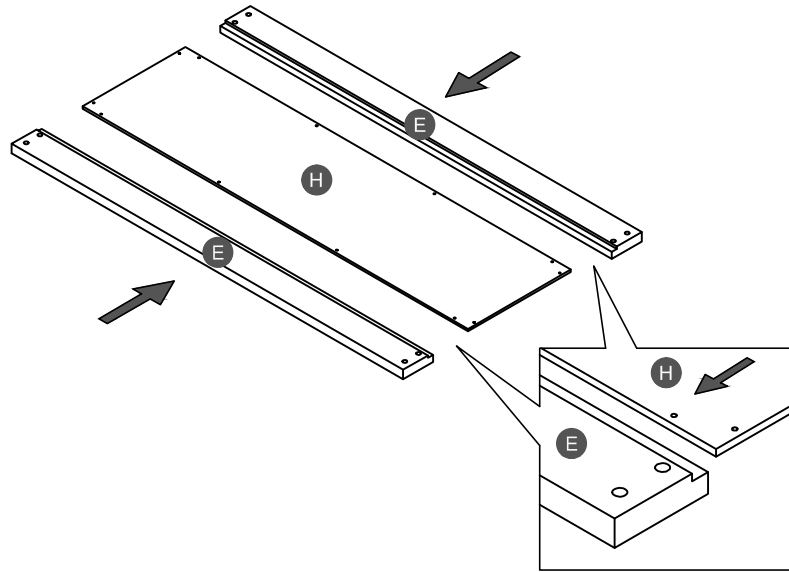
1  Ø8*30mm Wood dowel (42pcs)	2  (Ø15)1/4"*80mm Hex-Head bolts (8pcs)	3  (Ø12)1/4"*60mm Hex-Head bolts (48pcs)
4  (Ø12)1/4"*40mm Hex-Head bolts (12pcs)	5  (Ø12)1/4"*30mm Hex-Head bolts (32pcs)	6  1/4"*15 (9.5mm) Horizontal-Hole bolts(56pcs)
7  (Ø12)1/4"*40mm Hex-Head bolts (4pcs)	8  Ø4*30mm Wood screws (14pcs)	9  Ø3.5*15mm Wood screws (115pcs)
10  (1/4")4.5*58mm Allen key (1pc)	11  L1000mm Led light (1pc)	12  22*10*6mm Clamp plastic (1pc)
13  L3000mm Adapter and wire strip (1pc)		

ASSEMBLY TOOLS REQUIRED (NOT INCLUDED)

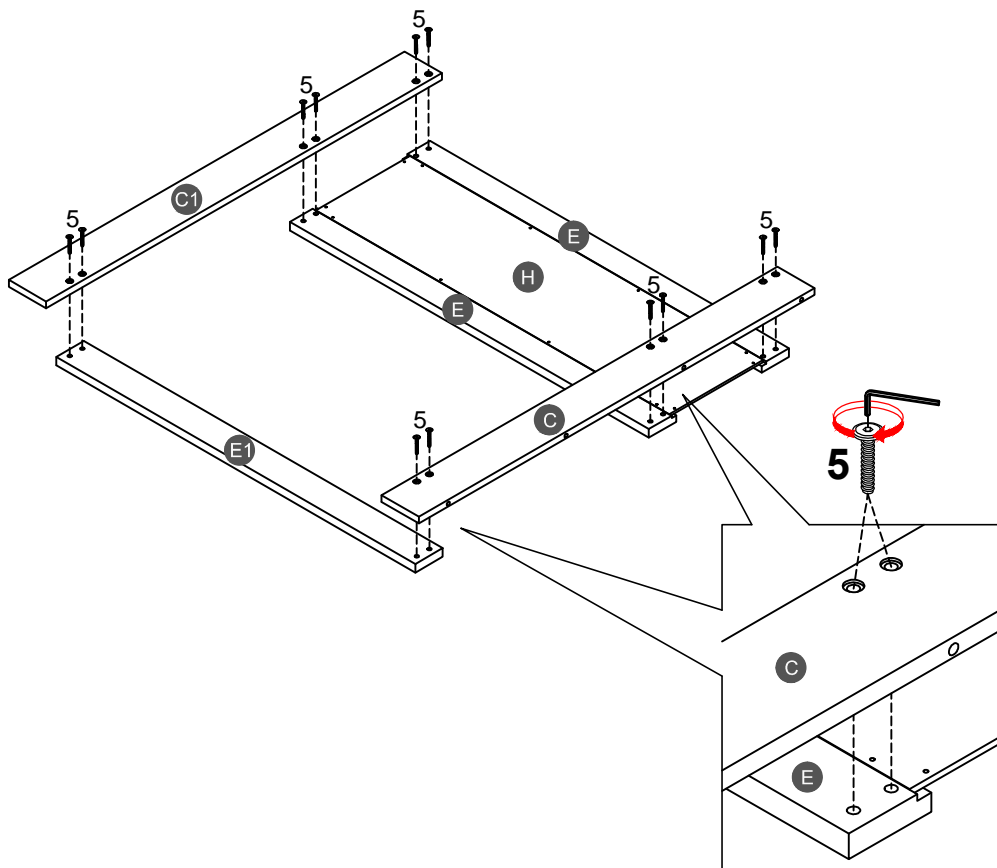


PLEASE BE CAREFUL DO NOT DAMAGE THE HOLE POSITION WHEN YOU USE POWER TOOLS !

STEP 1:



STEP 2:



5



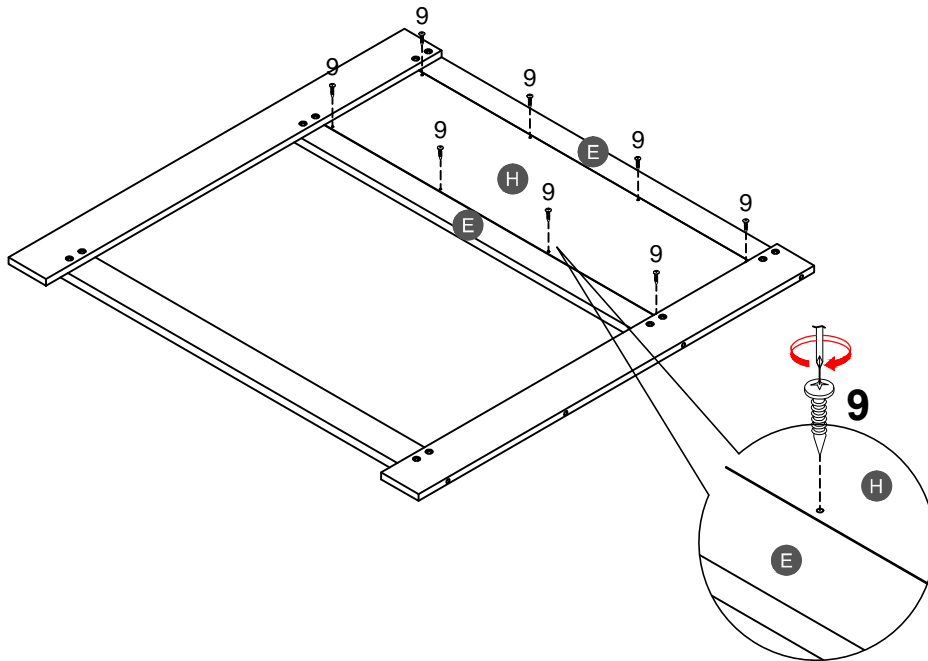
12PCS

STEP 3:

9



8PCS

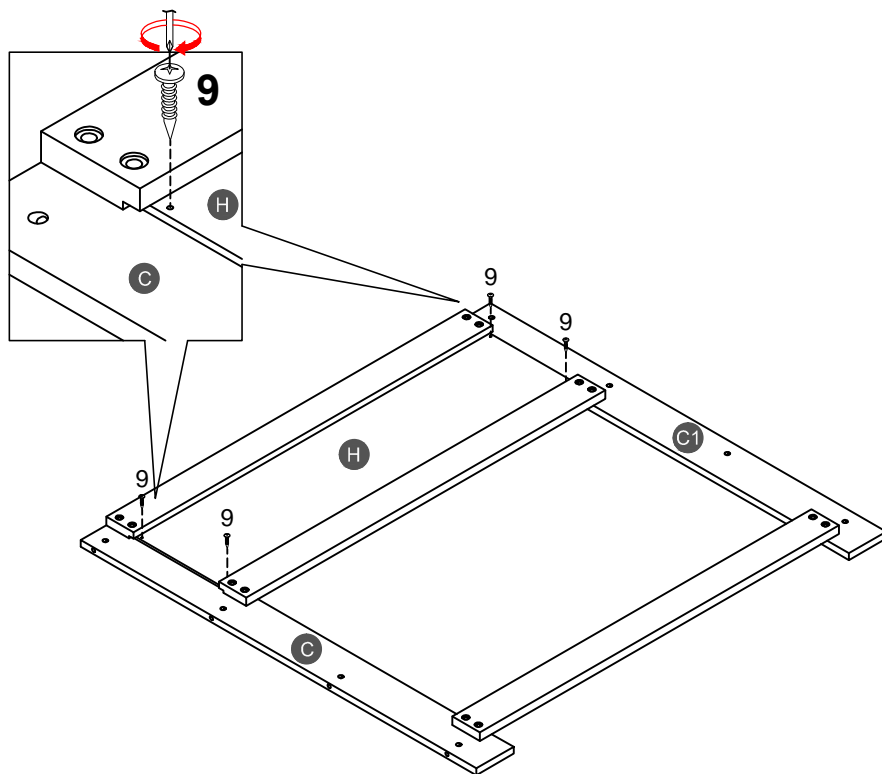


STEP 4:




9

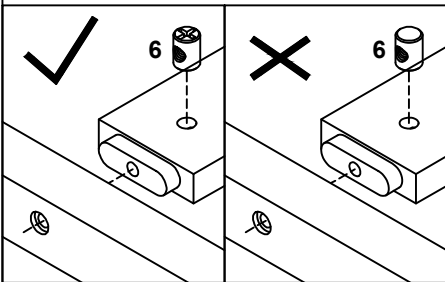
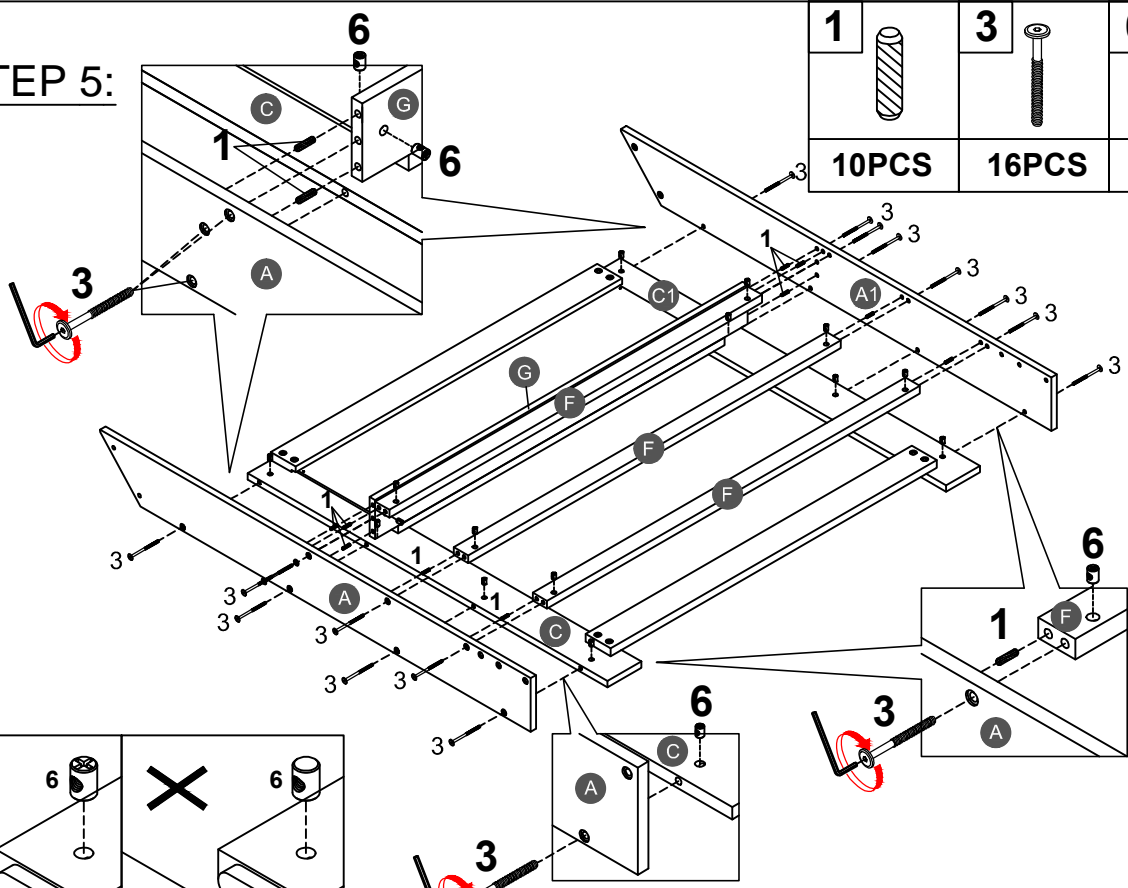


4PCS




STEP 5:

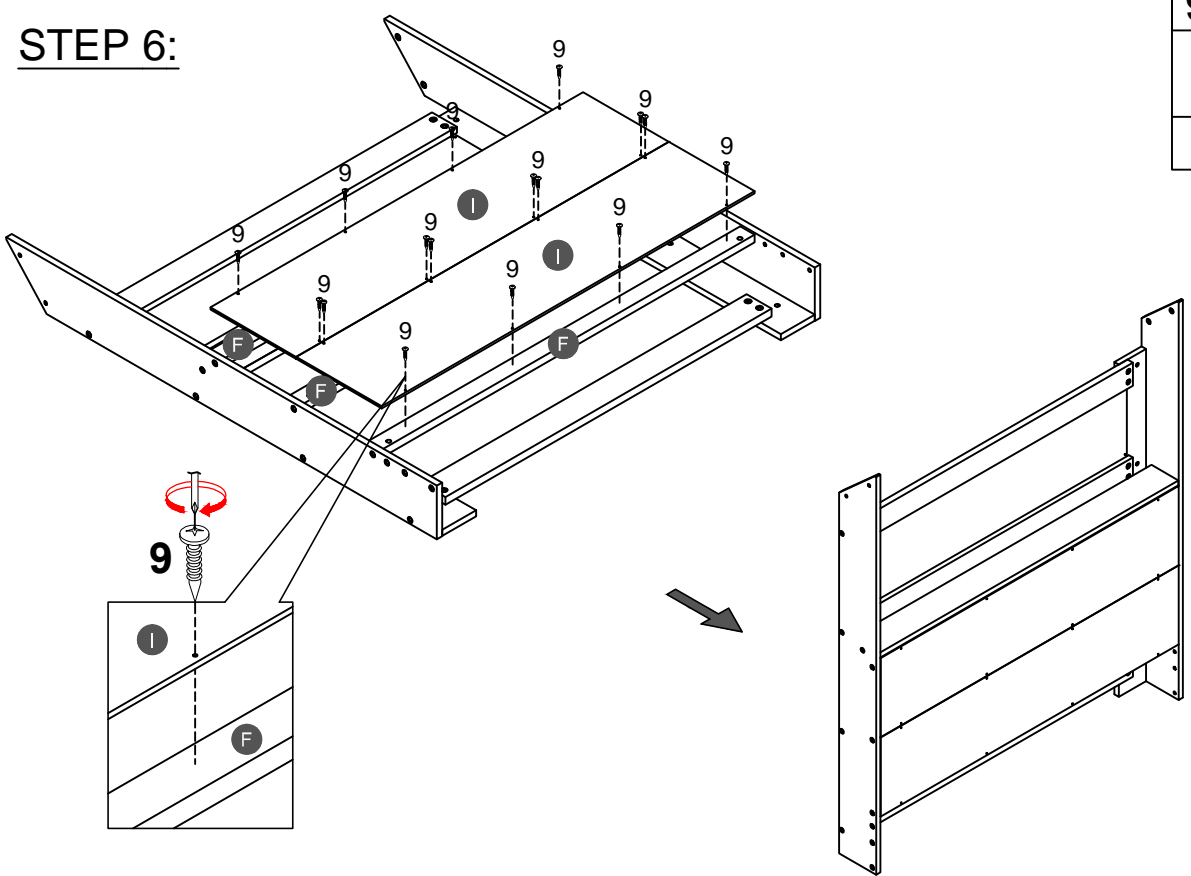
1		3		6	
	10PCS		16PCS		16PCS



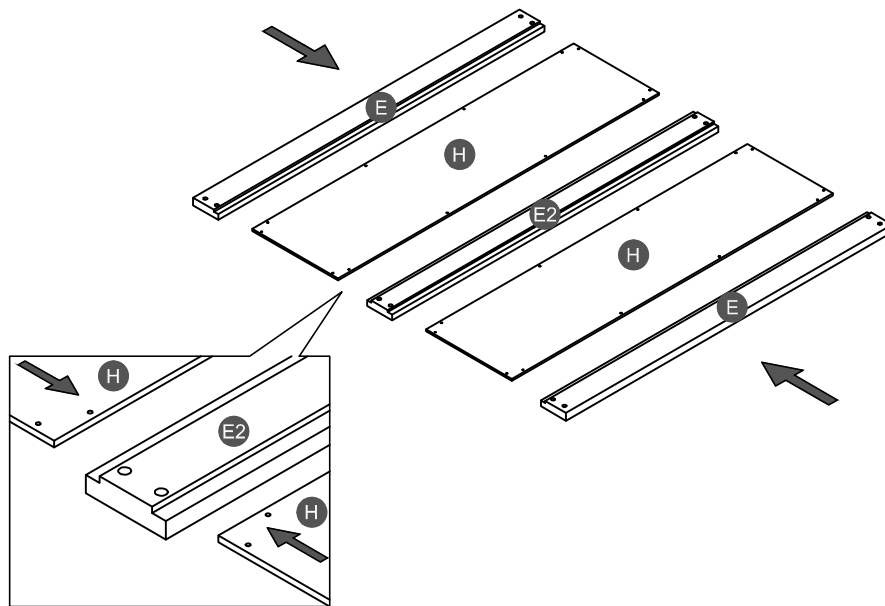
Note: Part 6 will face up with the "x" mark on it, otherwise it cannot be tightened

STEP 6:

9	
16PCS	



STEP 7:

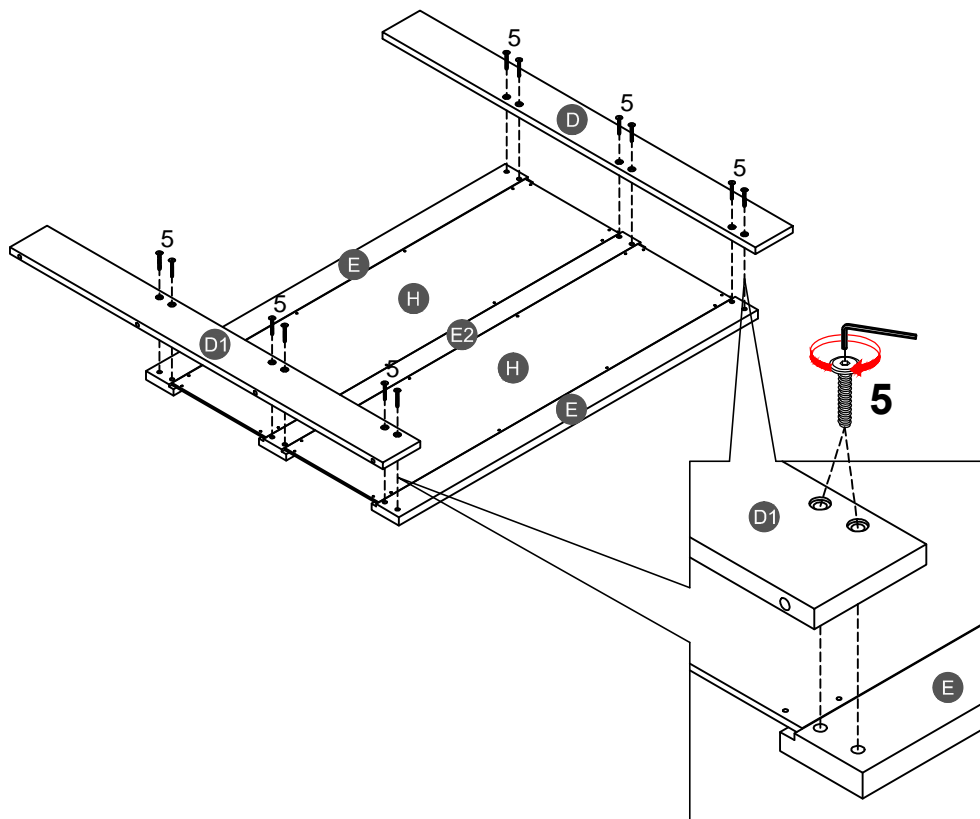


STEP 8:

5



12PCS

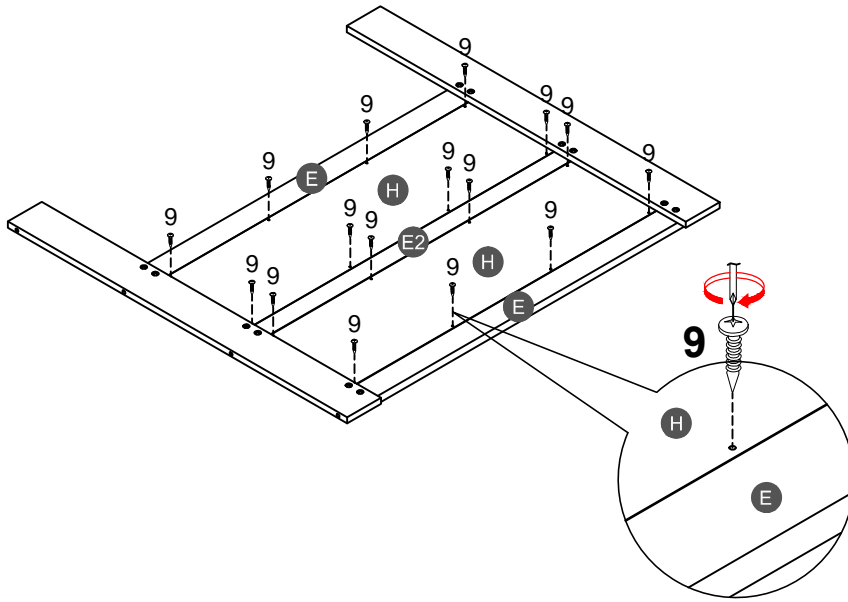


STEP 9:

9



16PCS

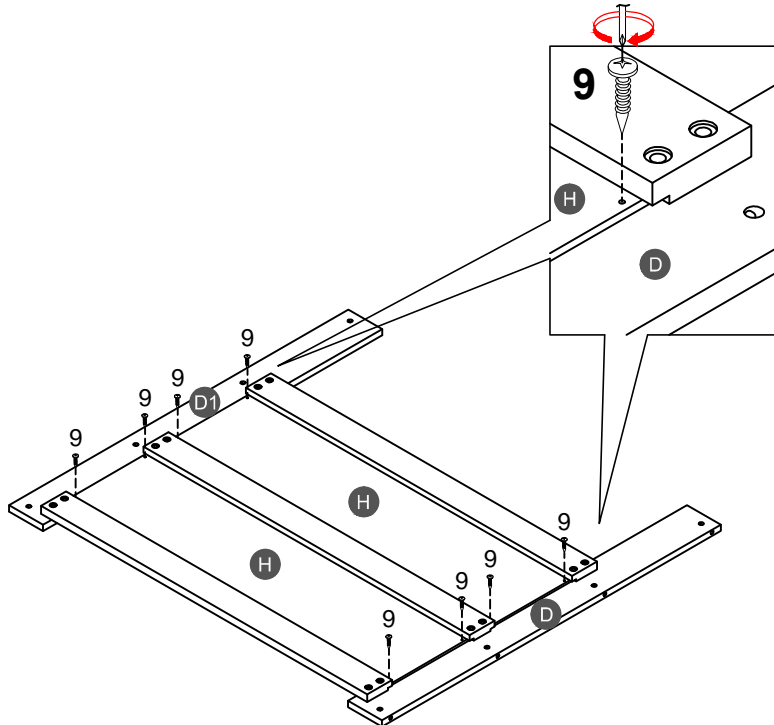


STEP 10:

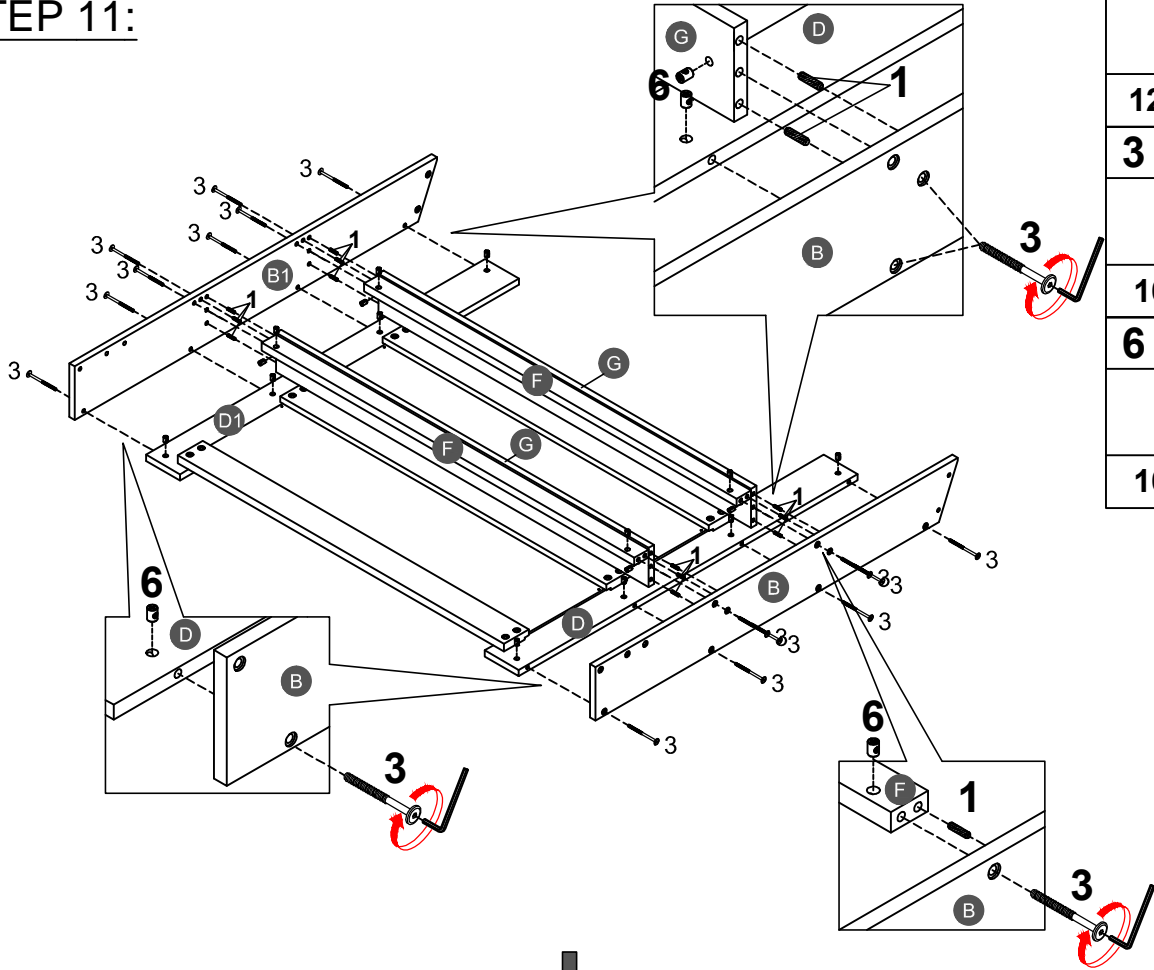
9






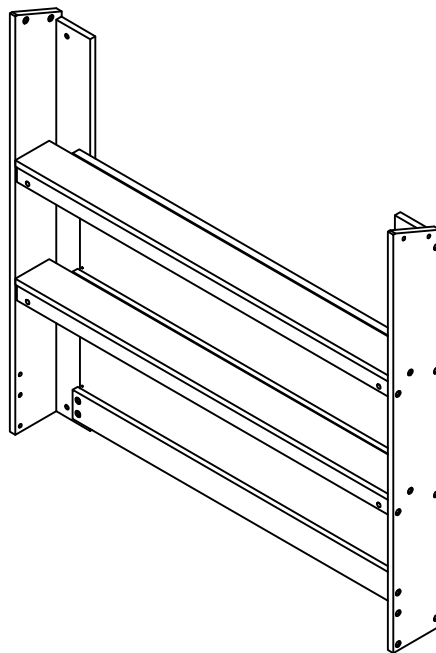
8PCS



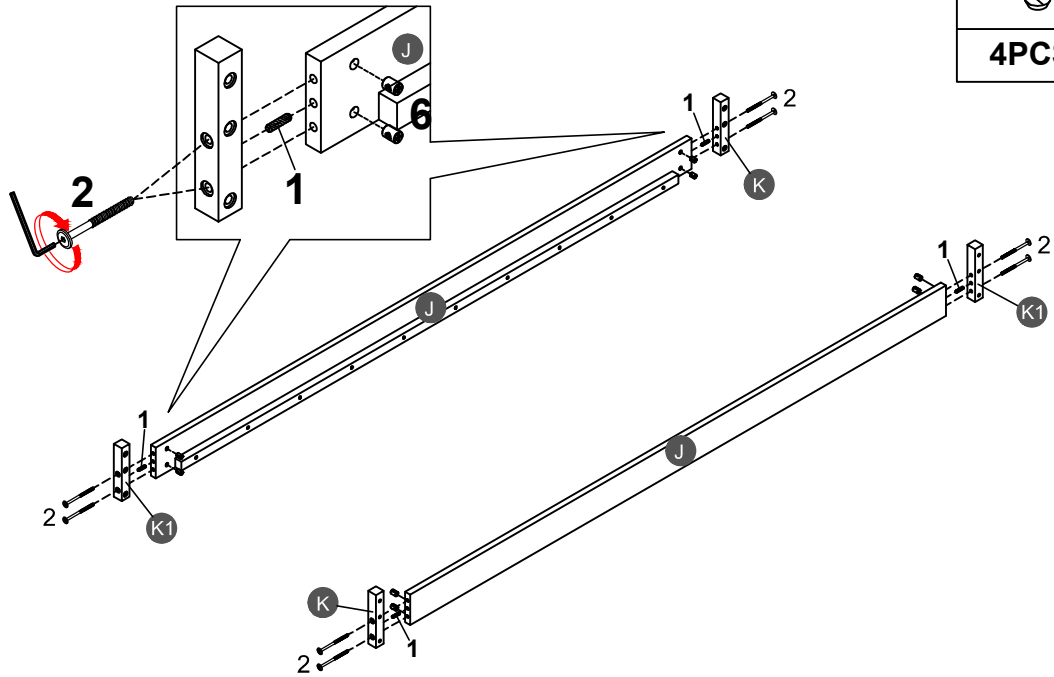
STEP 11:






1	
12PCS	
3	
16PCS	
6	
16PCS	

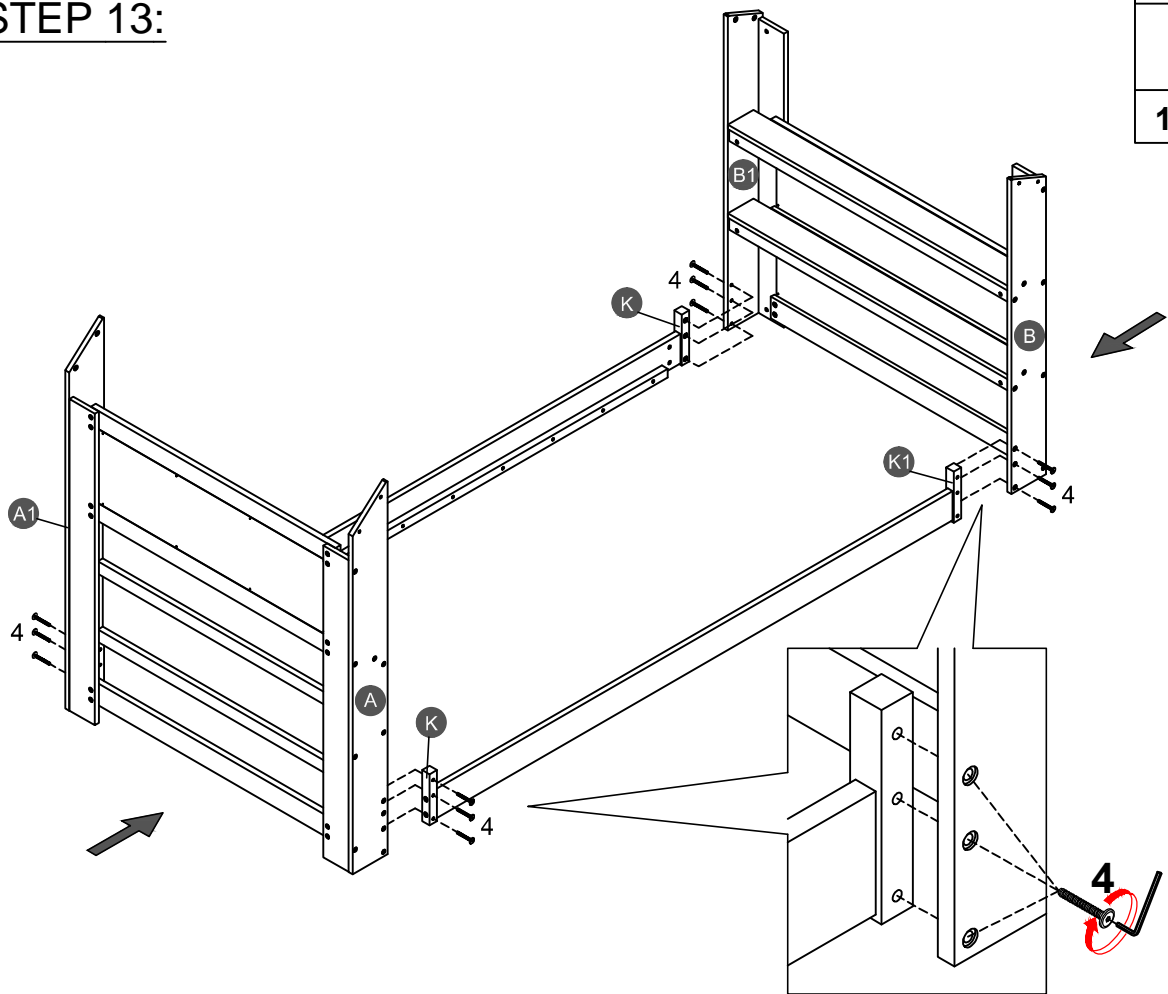



STEP 12:



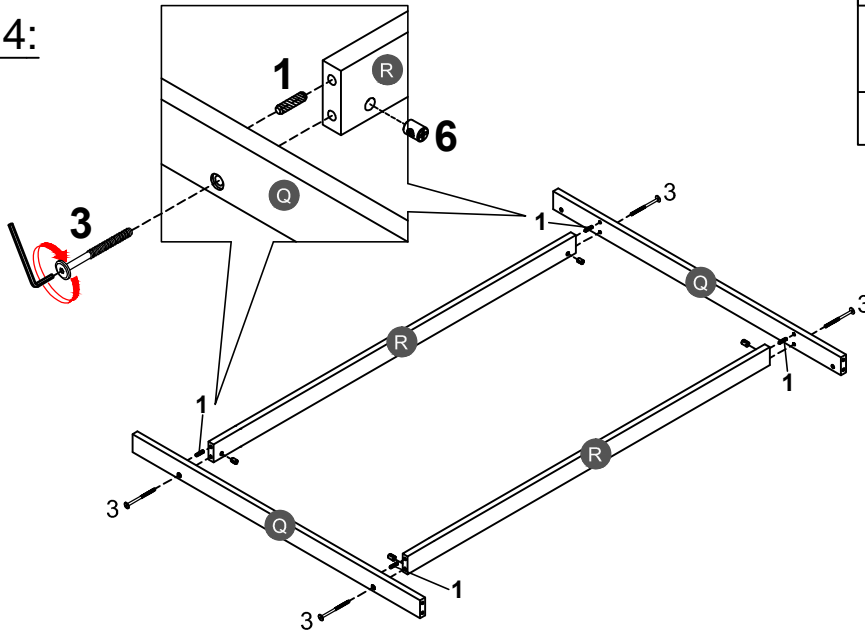
1		2	
4PCS		8PCS	
		6	
		8PCS	

STEP 13:



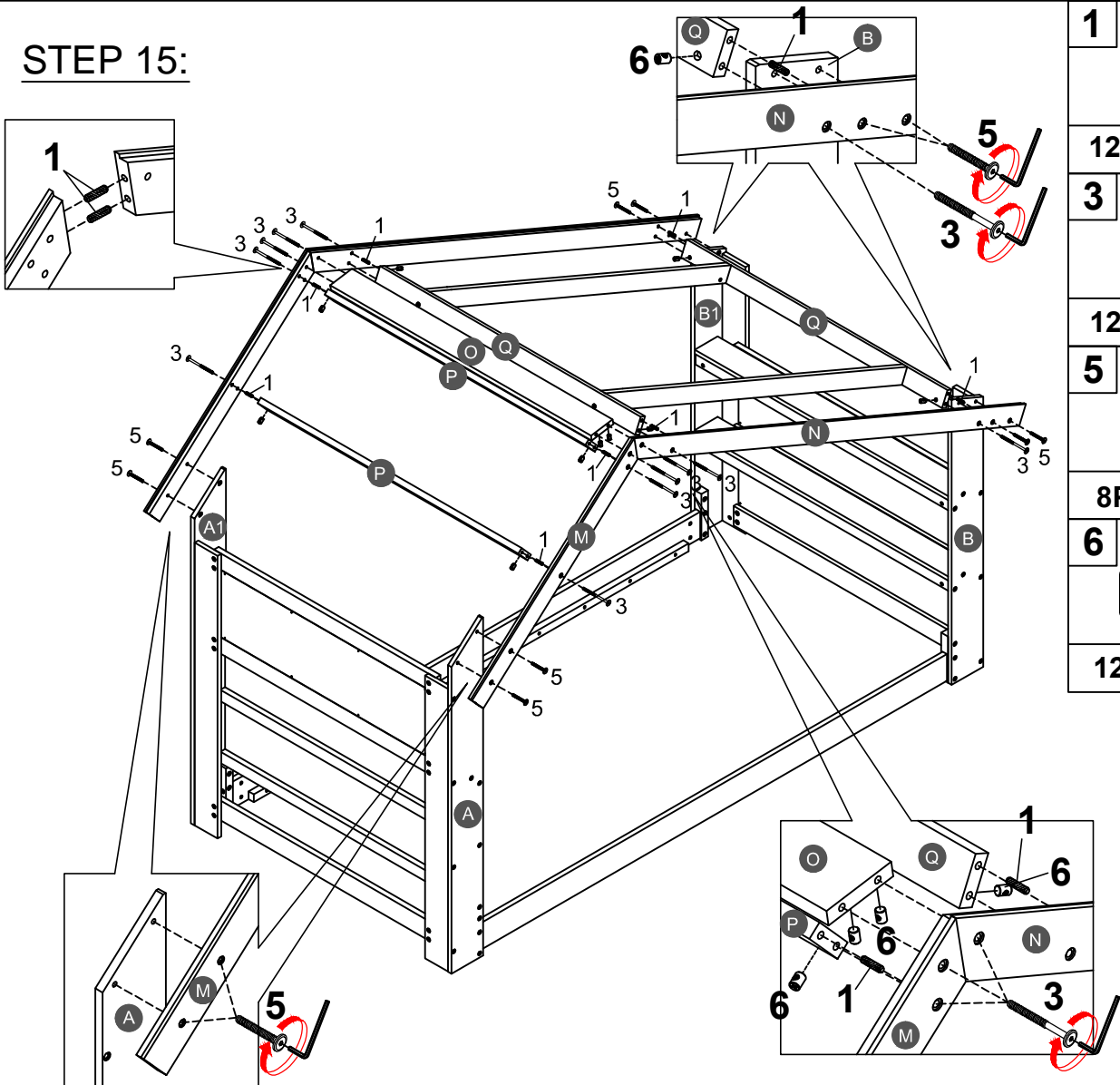
4	
12PCS	

STEP 14:



1		3	
4PCS		4PCS	
		6	
		4PCS	

STEP 15:



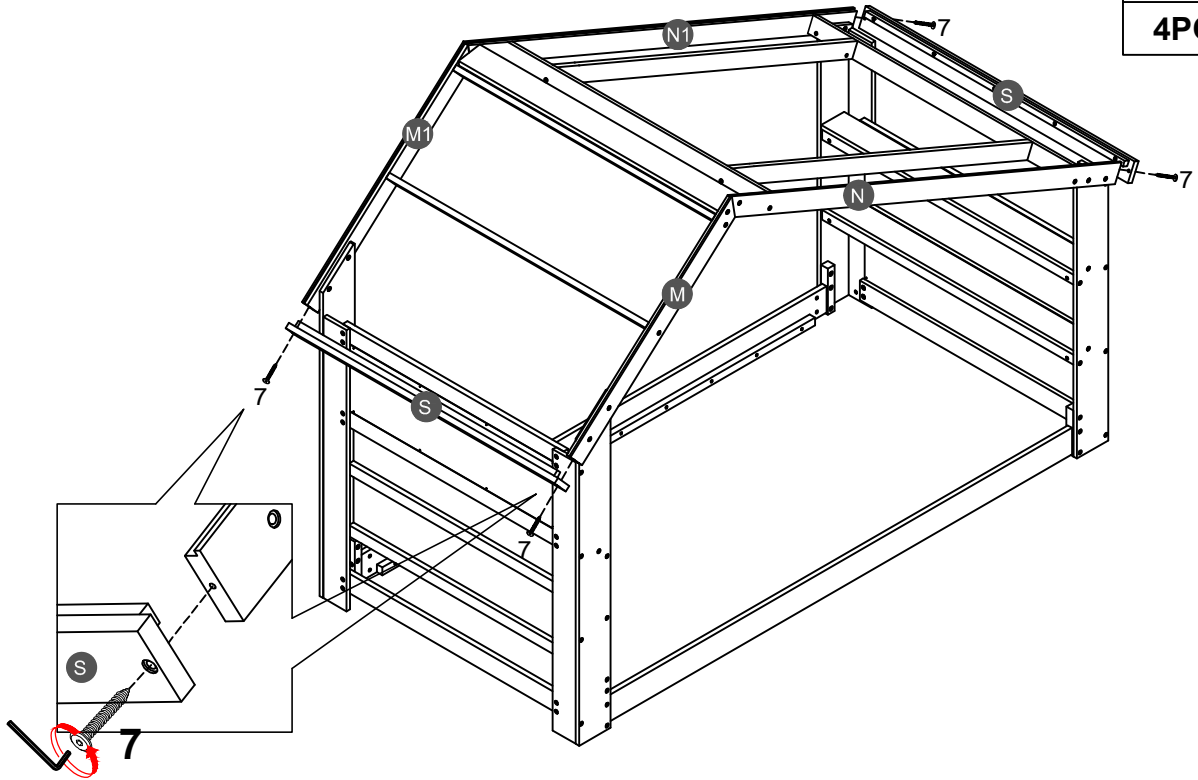
1		12PCS
3		12PCS
5		8PCS
6		12PCS

STEP 16:

7



4PCS

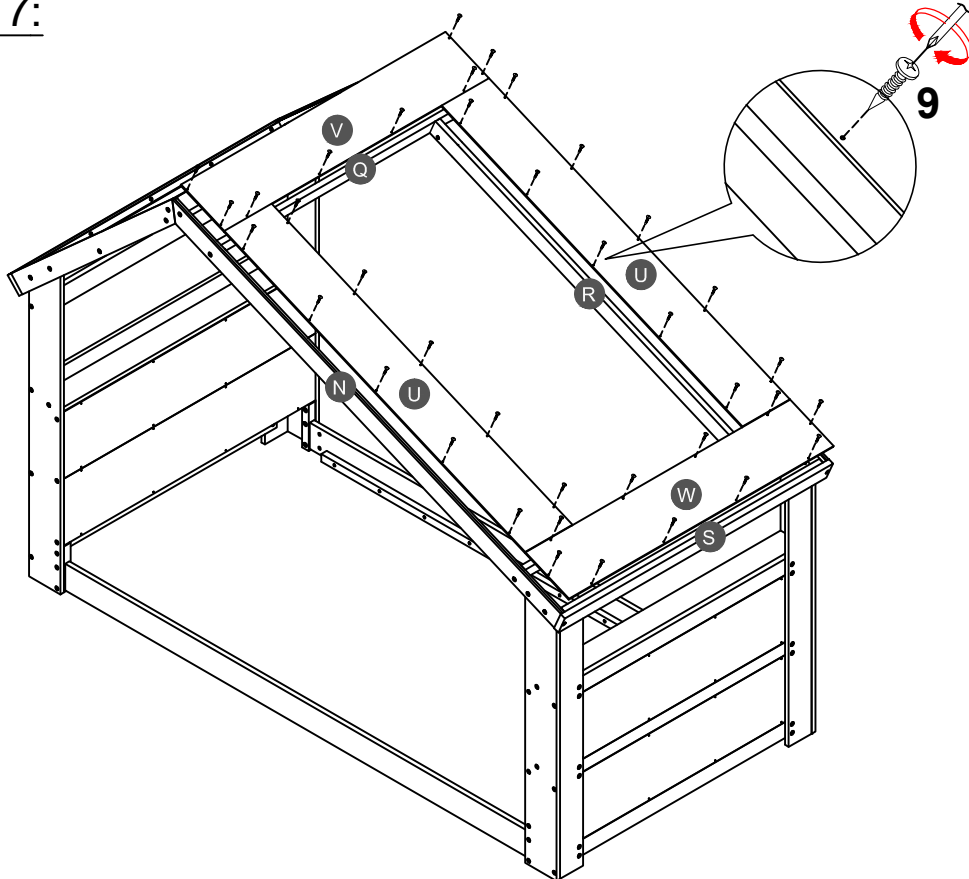


STEP 17:

9



38PCS

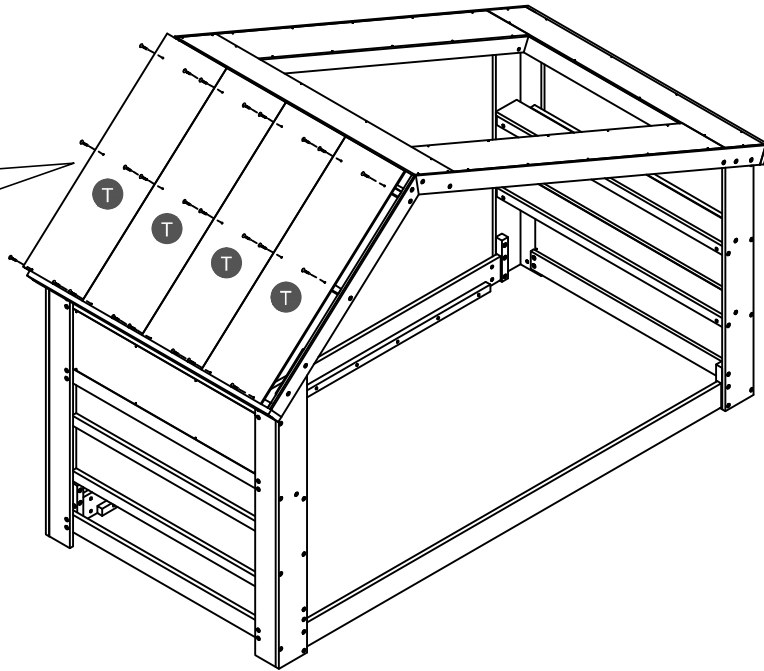
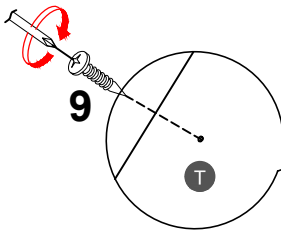


STEP 18:

9



24PCS

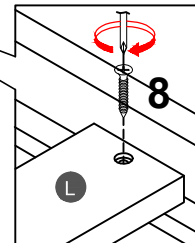
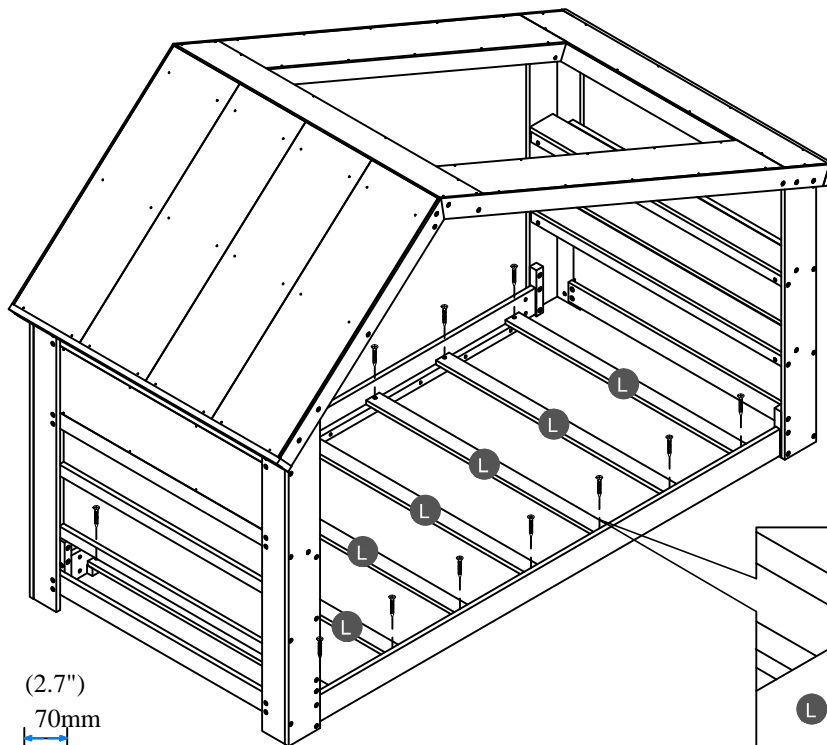


STEP 19:

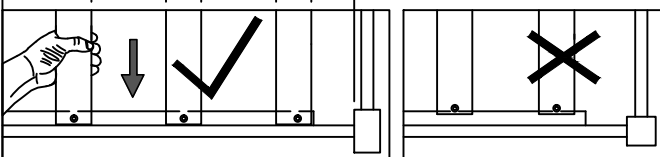
8



14PCS



(9.2") 234mm (9.2") 234mm (2.7") 70mm



Note: Do not lock the screws of the bed slats to the outermost edge of the bed slats, you need to leave a certain space at the edges, otherwise it will cause the board to break. Do not lock the bed slats on the edge of the wood, please hold firmly before screwing, hold it in place with one hand, then lock the screw.