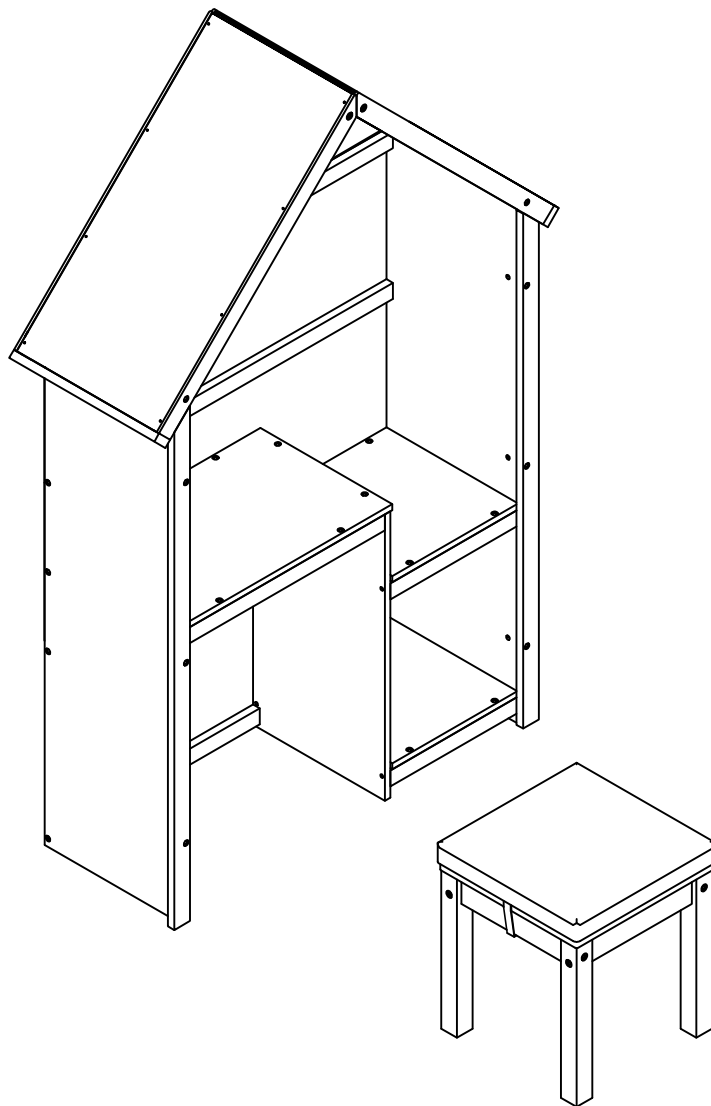


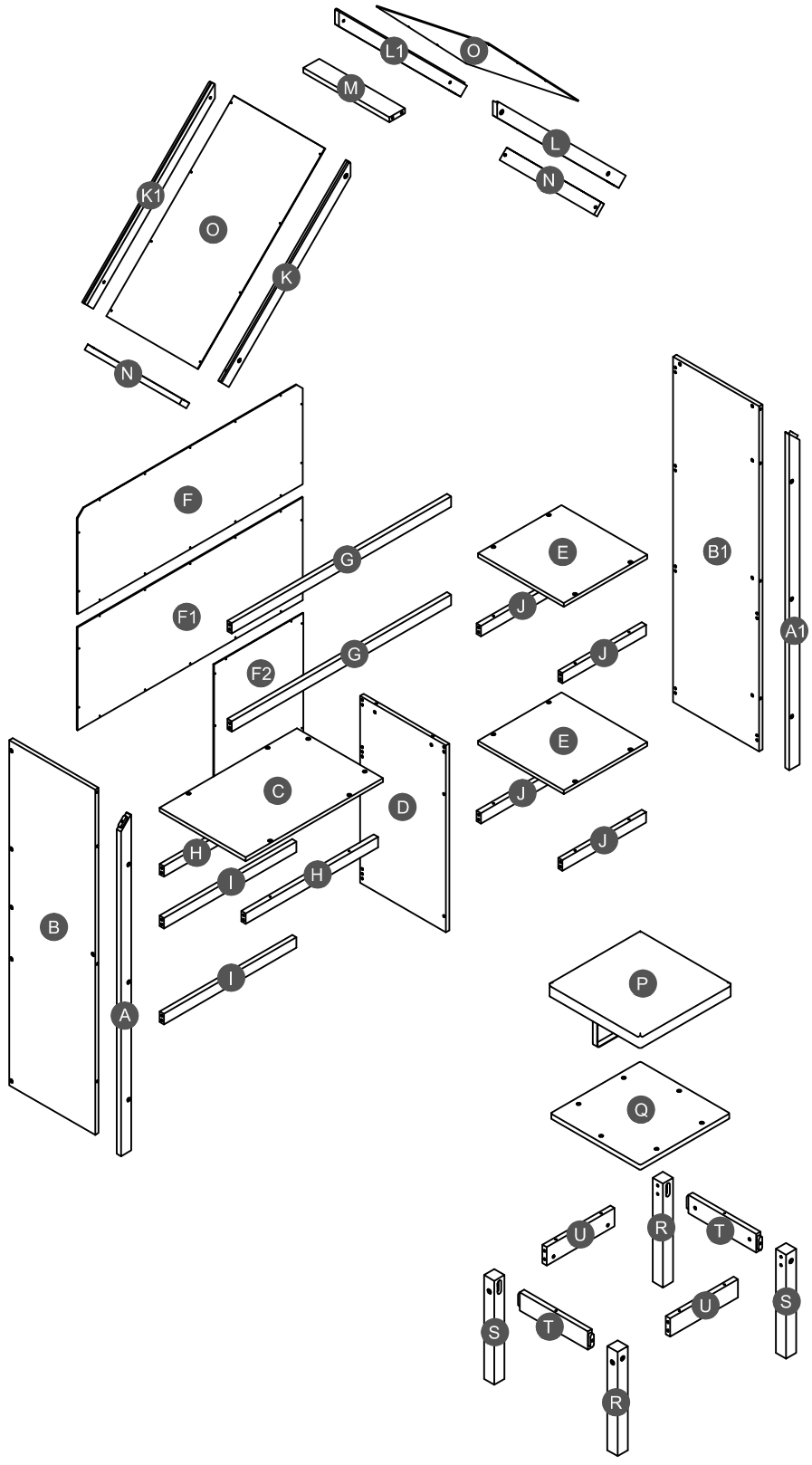
ASSEMBLY INSTRUCTIONS

DESK AND STOOL

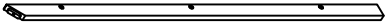
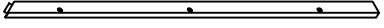



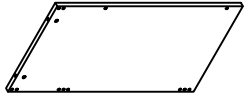
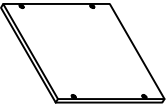
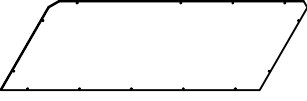
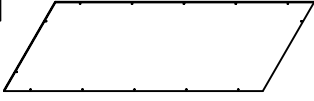
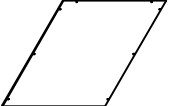
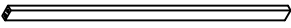
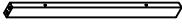
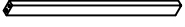
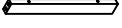
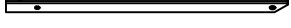

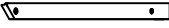
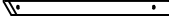

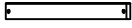

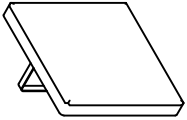
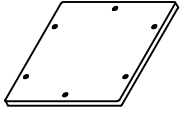
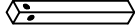
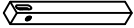
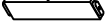
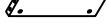


ILA33769



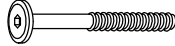






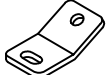



Detail View



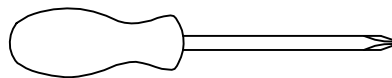
Part List

A  Vertical bar (Left front) - 1pc	A1  Vertical bar (Right front) - 1pc	B  Side panel (Left) - 1pc
B1  Side panel (Right) - 1pc	C  Top panel - 1pc	D  Divider panel - 1pc
E  Shelf panel - 2pcs	F  Upper back panel - 1pc	F1  Divider back panel - 1pc
F2  Lower back panel - 1pc	G  Upper horizontal bar (back) - 2pcs	H  Divider horizontal bar (front/back) - 2pcs
I  Lower horizontal bar (Left back) - 2pcs	J  Horizontal bar (right) - 4pcs	K  Upper horizontal bar (Left front) - 1pc
K1  Upper horizontal bar (Left back) - 1pc	L  Upper horizontal bar (Right front) - 1pc	L1  Upper horizontal bar (Right back) - 1pc
M  Upper horizontal bar (Divider) - 1pc	N  Upper support - 2pcs	O  Top panel - 2pcs
P  Top mattress - 1pc	Q  Top - 1pc	R  Leg chair - 2pcs
S  Leg chair - 2pcs	T  Horizontal bar (left/right) - 2pcs	U  Horizontal bar (front/back) - 2pcs

Hardware List

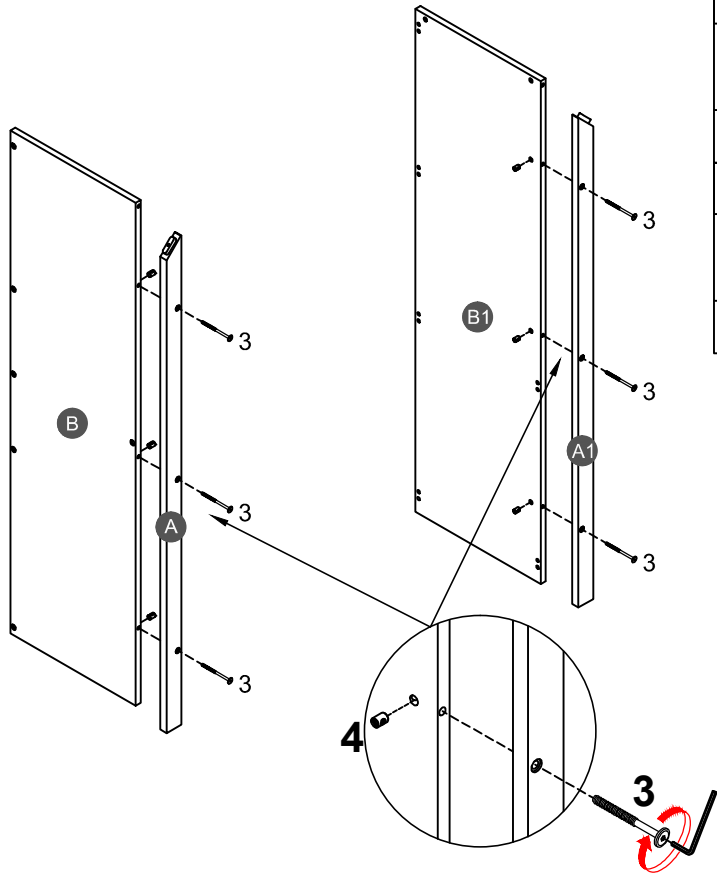
1  Ø8*30mm Wood dowel (24pcs)	2  (Ø15)1/4"*80mm Hex-Head bolts (8pcs)	3  (Ø12)1/4"*60mm Hex-Head bolts (36pcs)
4  1/4"*15 (9.5mm) Horizontal-Hole bolts(44pcs)	5  (Ø12)1/4"*65mm Hex-Head bolts (2pcs)	6  (Ø12)1/4"*40mm Hex-Head bolts (22pcs)
7  (1/4")4.5*58mm Allen key (1pc)	8  Ø3.5*15mm Wood screws (54pcs)	9  300*5mm Cabletie (2pcs)
10  26*13*1.2mm Metal bracket (4pcs)	11  Ø4*38mm Wood screws (2pcs)	12  Ø3.5*19mm Wood screws (2pcs)
13  Ø9*32mm Plastic anchor (2pcs)		

ASSEMBLY TOOLS REQUIRED (NOT INCLUDED)

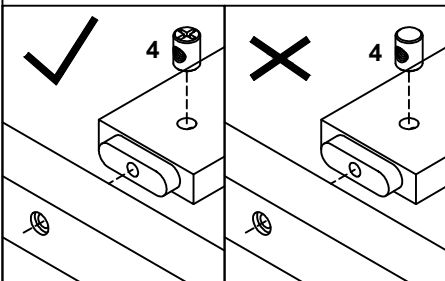


PLEASE BE CAREFUL DO NOT DAMAGE THE HOLE POSITION WHEN YOU USE POWER TOOLS !

STEP 1:

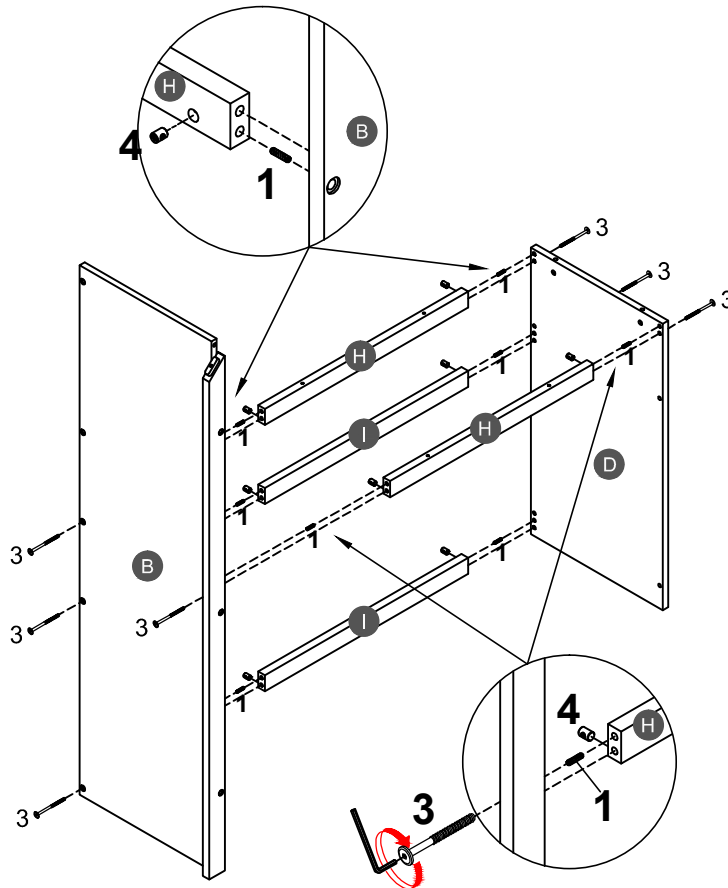


3	
6PCS	
4	
6PCS	



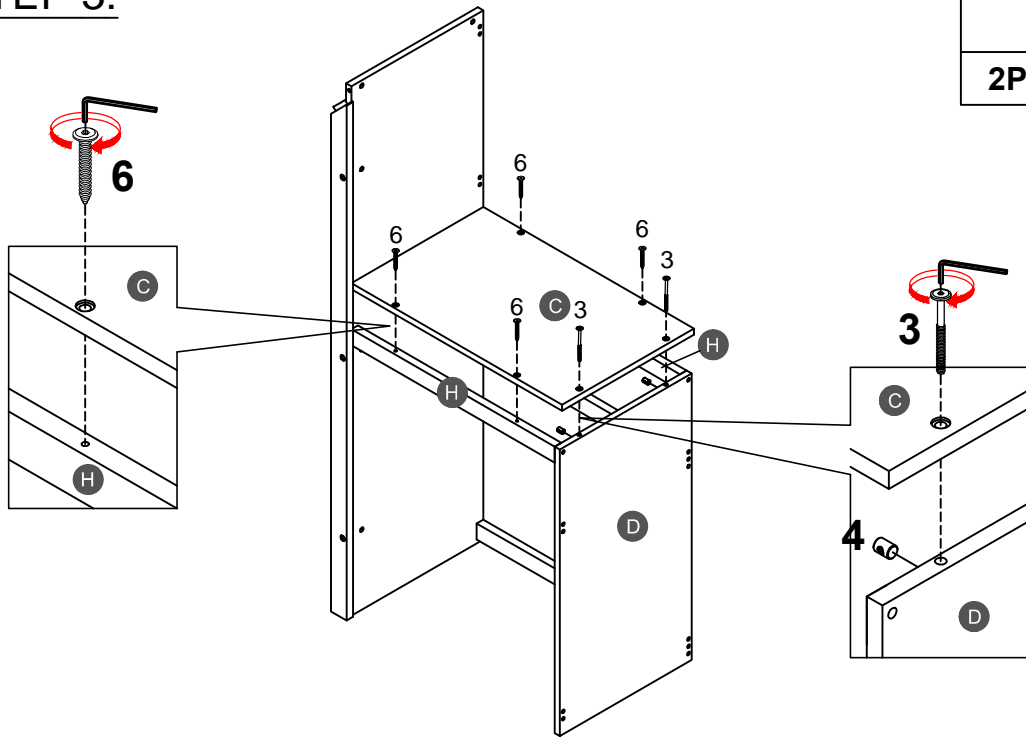
Note: Part 4 will face up with the "x" mark on it, otherwise it cannot be tightened

STEP 2:



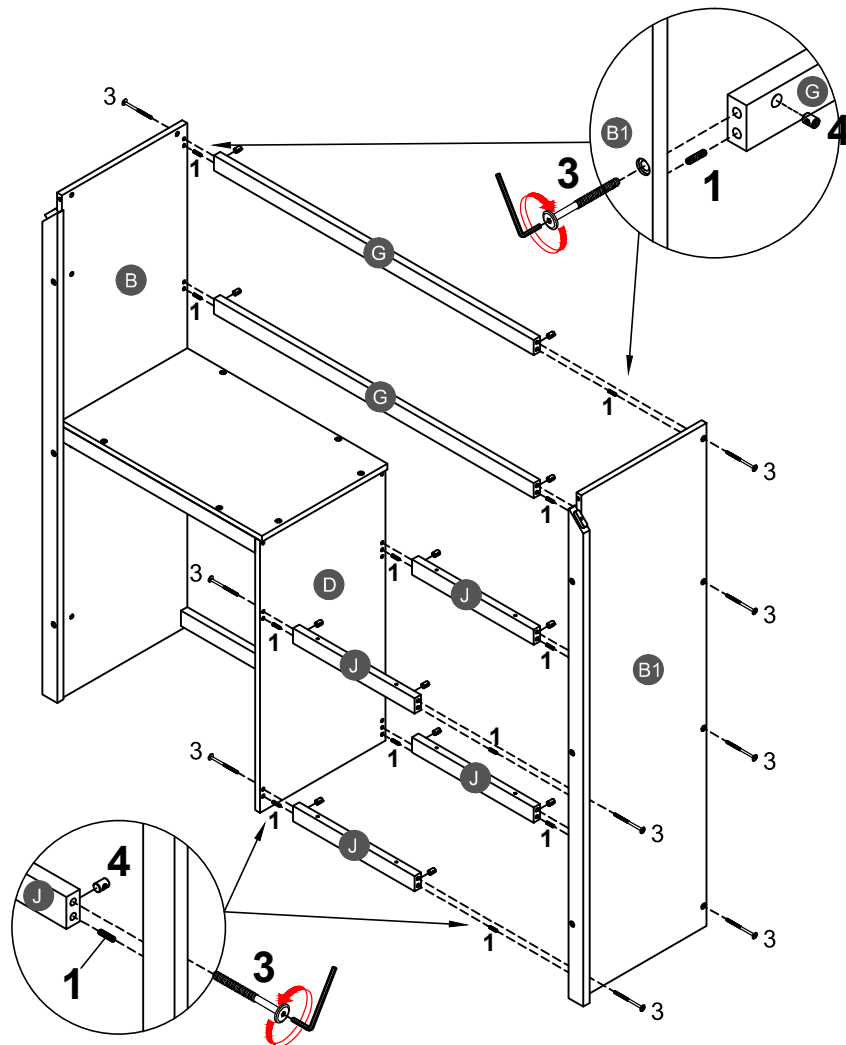
1		3	
8PCS		8PCS	
		4	
		8PCS	

STEP 3:



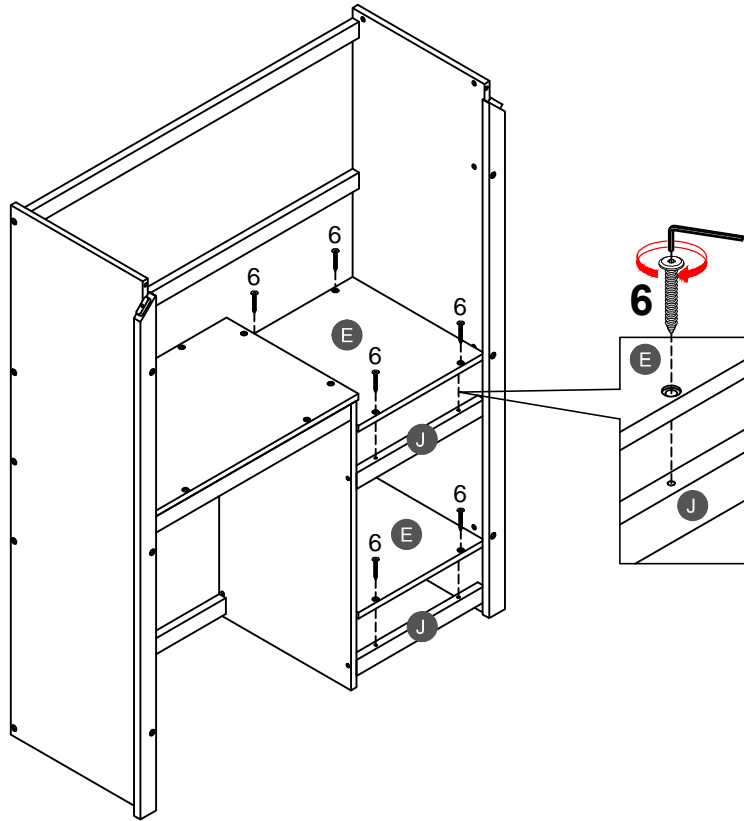
3		4	
2PCS		2PCS	
6			
4PCS			

STEP 4:



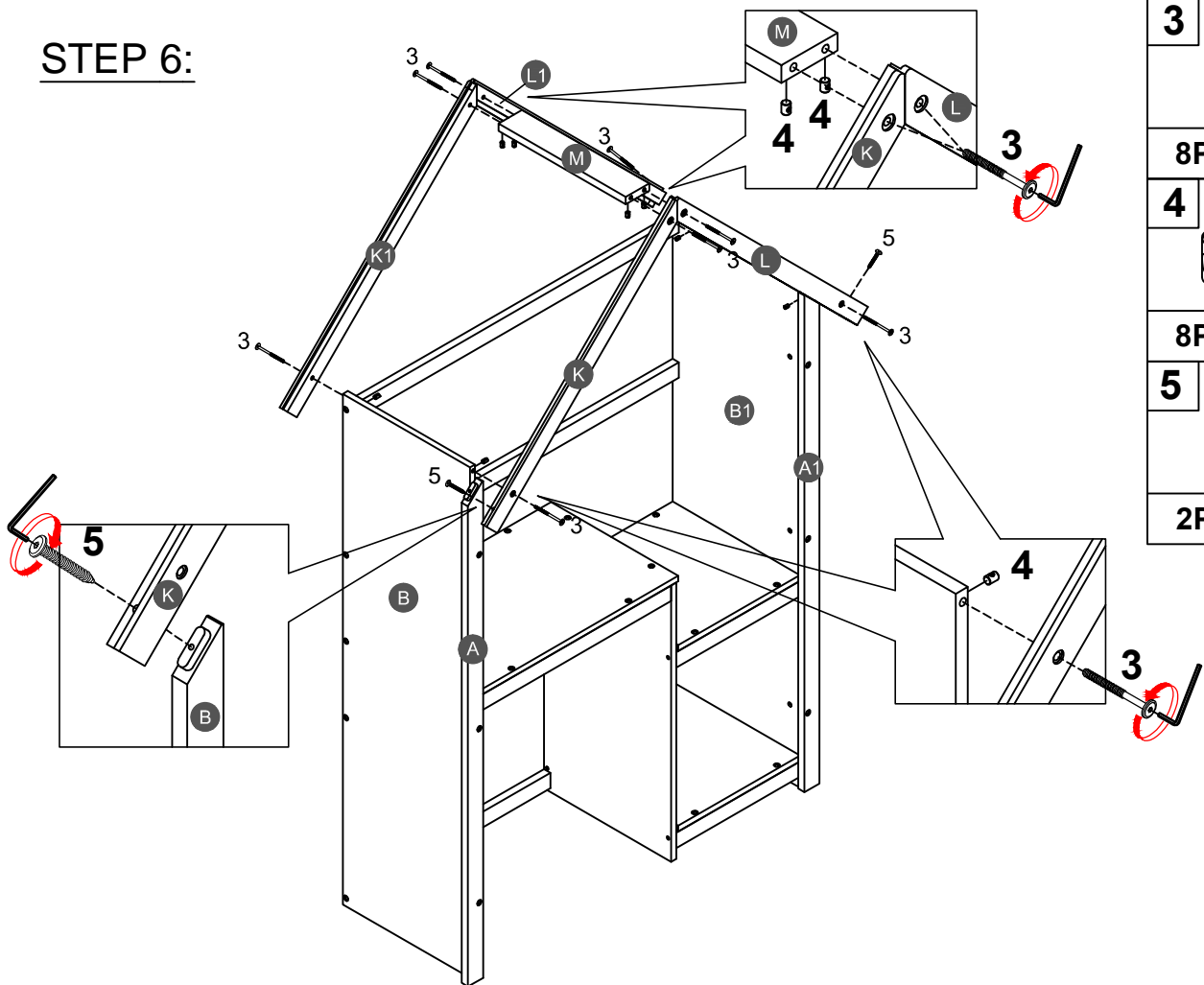
1	
12PCS	
3	
12PCS	
4	
12PCS	

STEP 5:



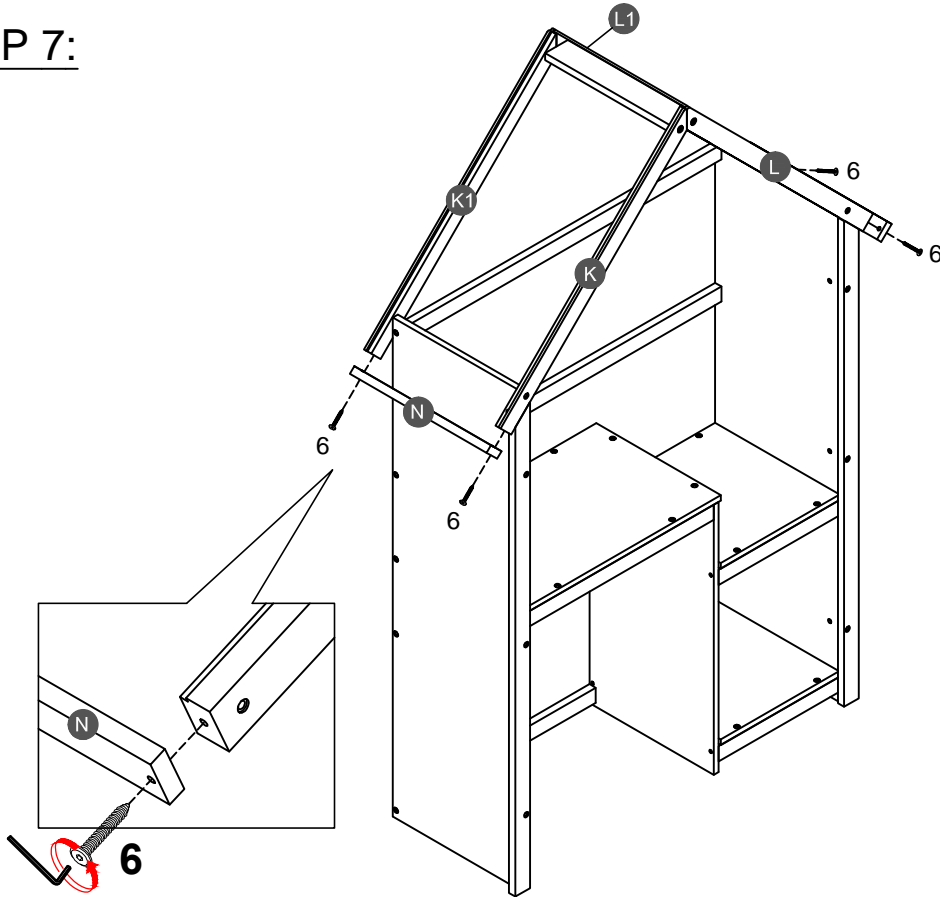
- | | |
|-------------|--|
| 6 | |
| 8PCS | |

STEP 6:



- | | |
|-------------|--|
| 3 | |
| 8PCS | |
| 4 | |
| 8PCS | |
| 5 | |
| 2PCS | |

STEP 7:

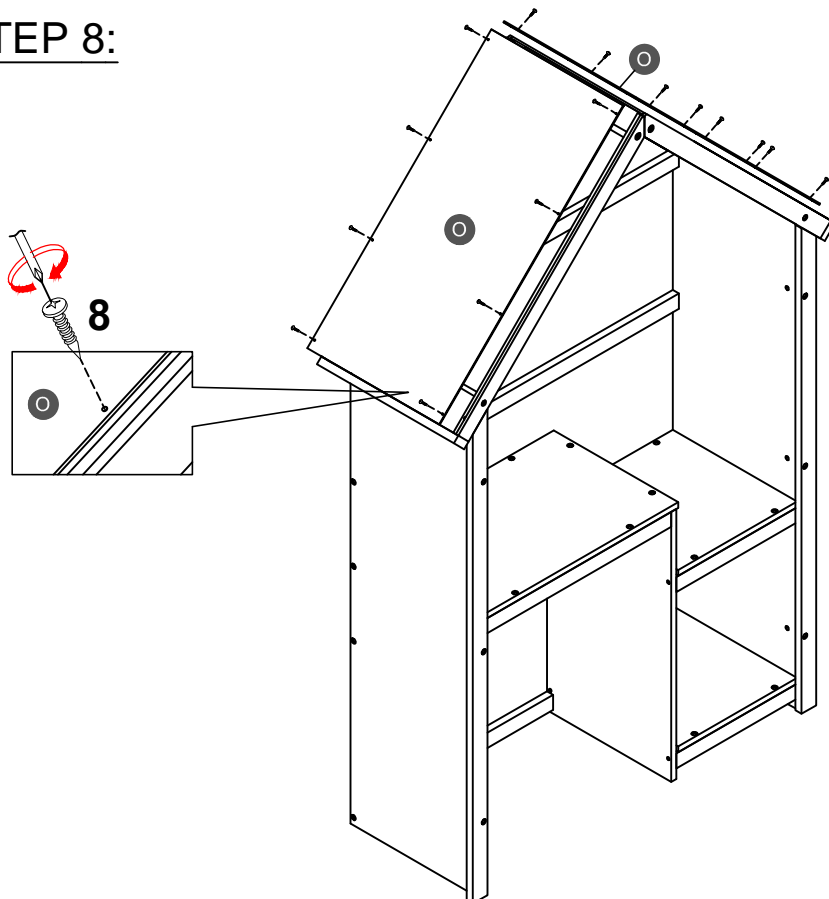


6



4PCS

STEP 8:



8



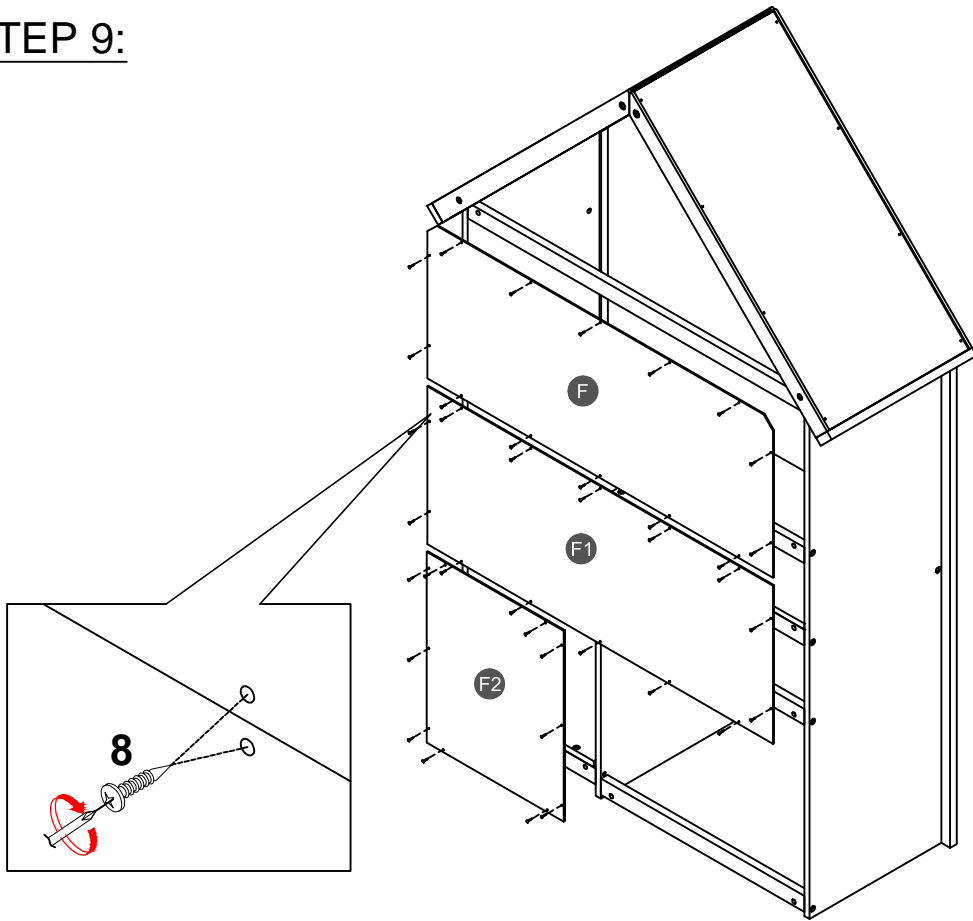
16PCS

STEP 9:

8

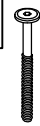


38PCS



STEP 10:

2

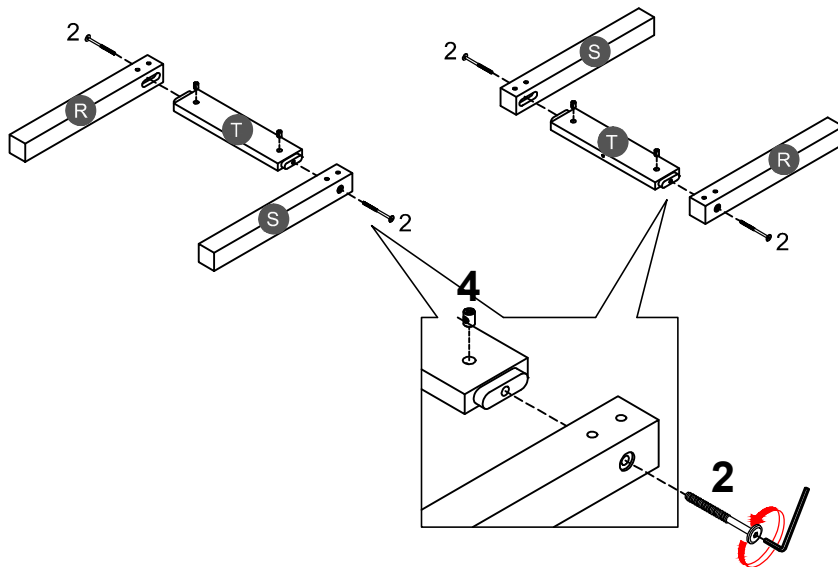


4PCS




4

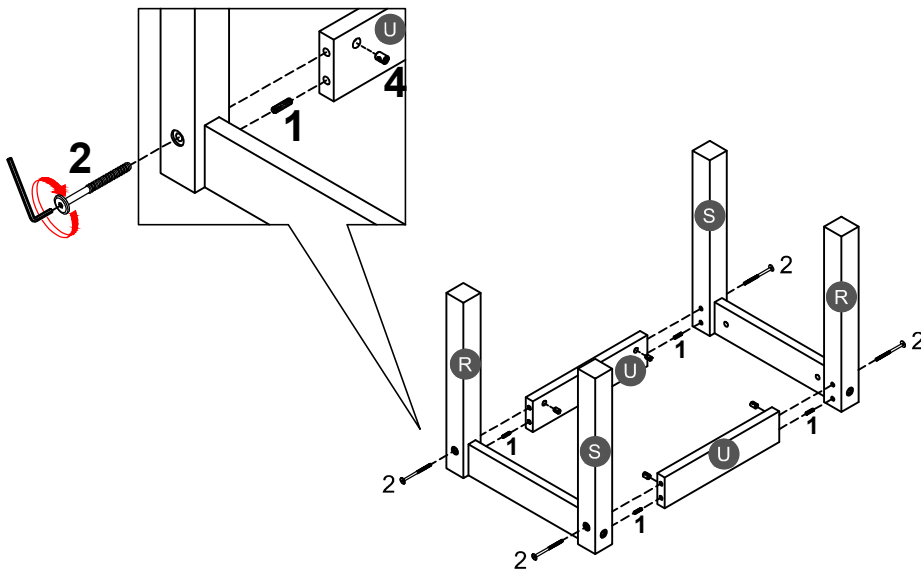


4PCS




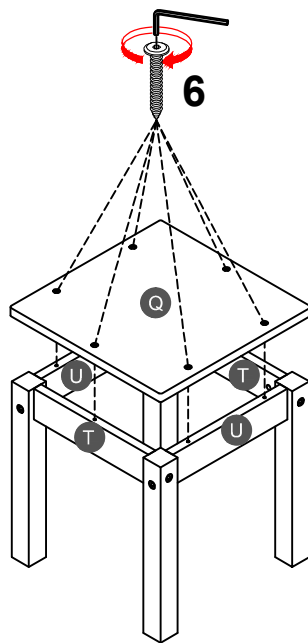
STEP 11:

1		2		4	
4PCS		4PCS		4PCS	

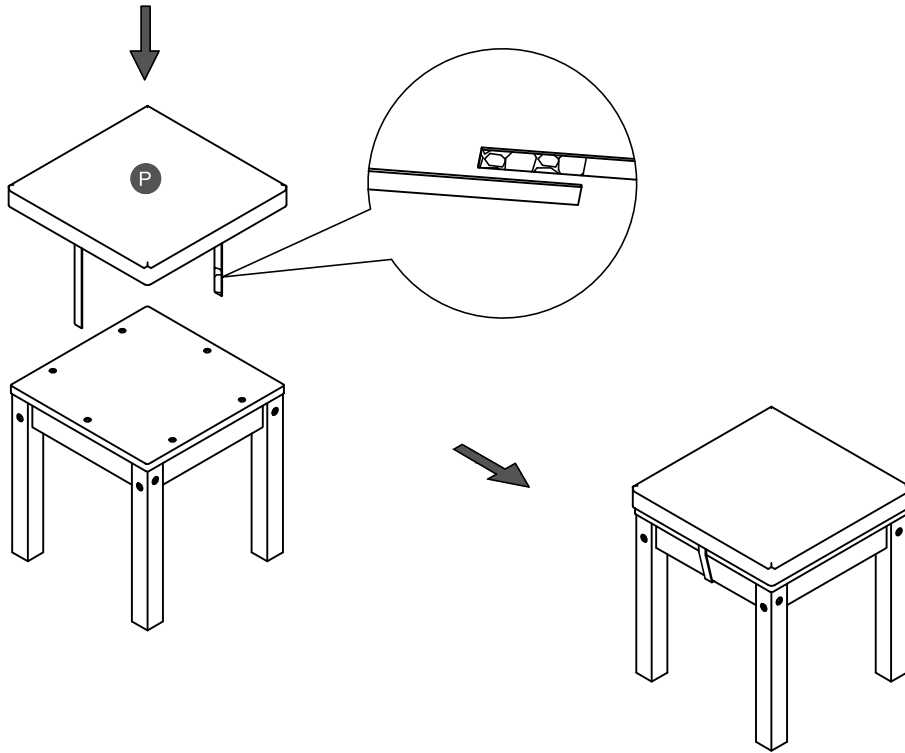


STEP 12:

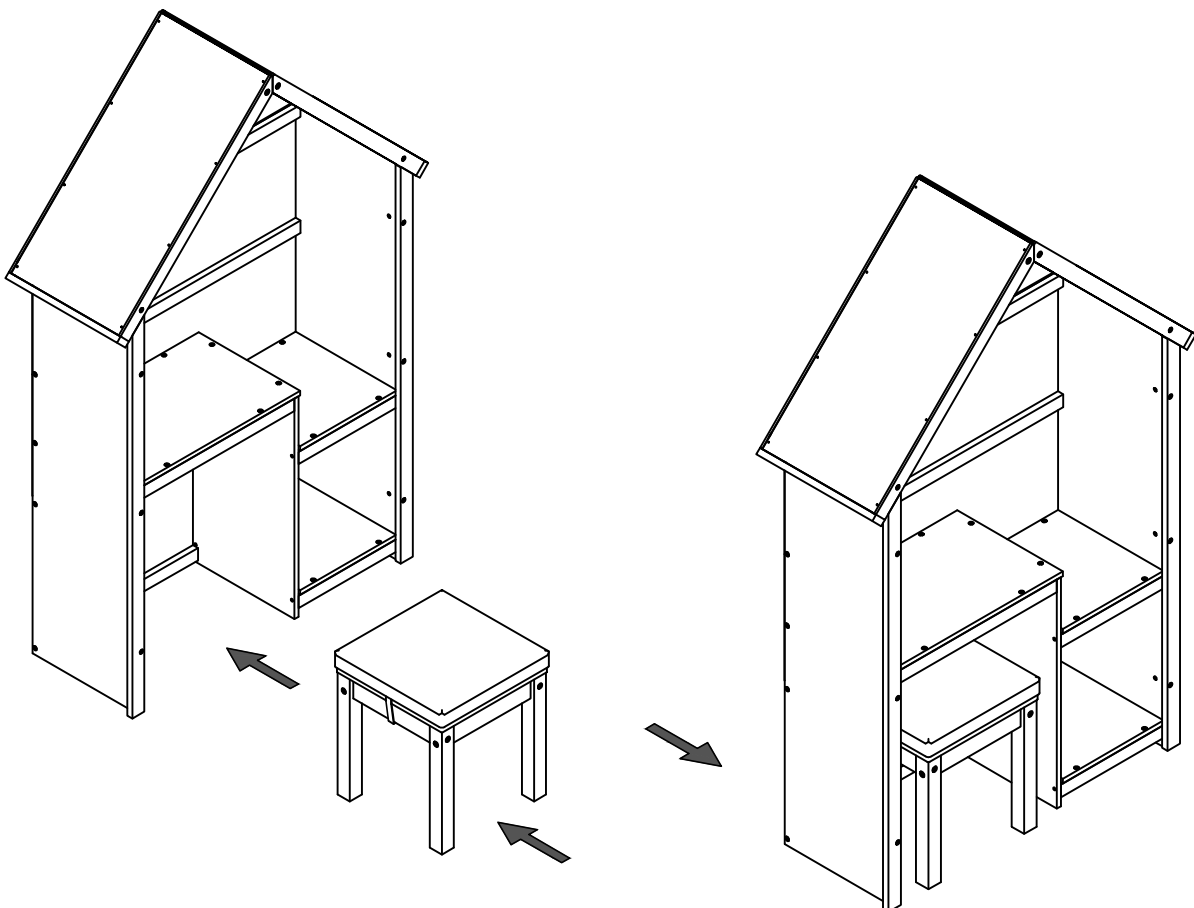
6	
6PCS	



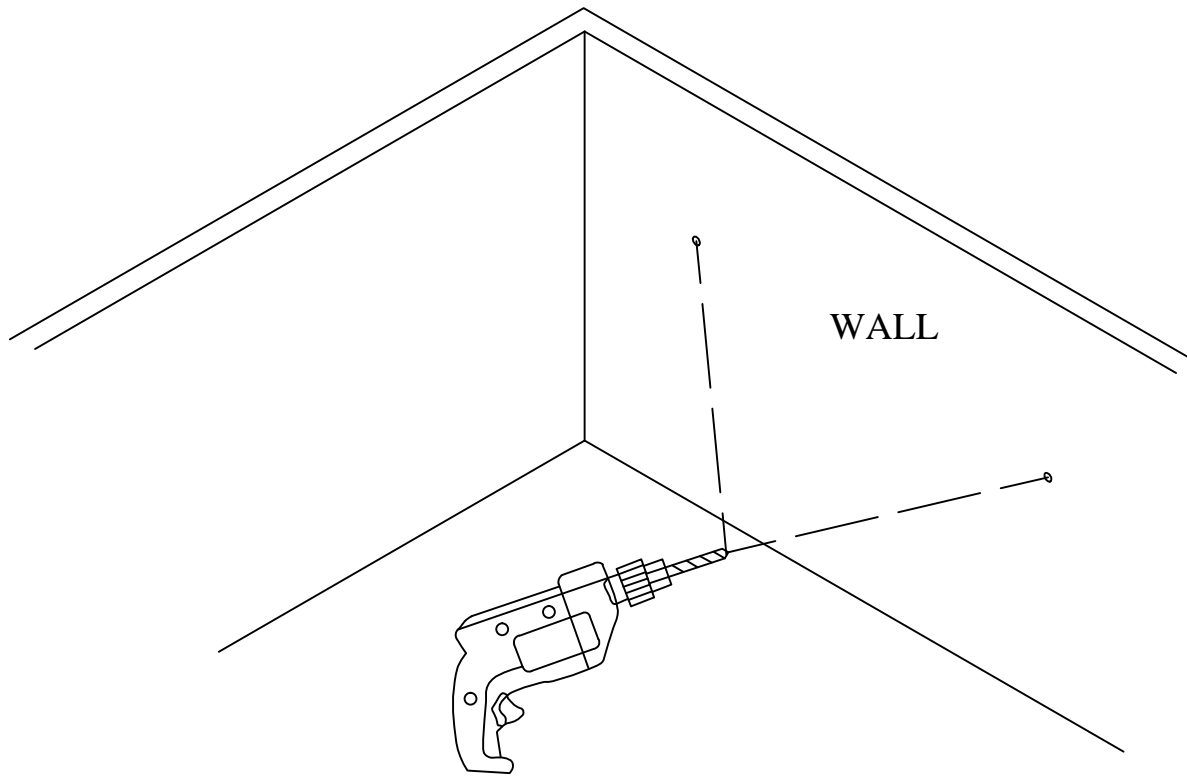
STEP 13:



STEP 14:

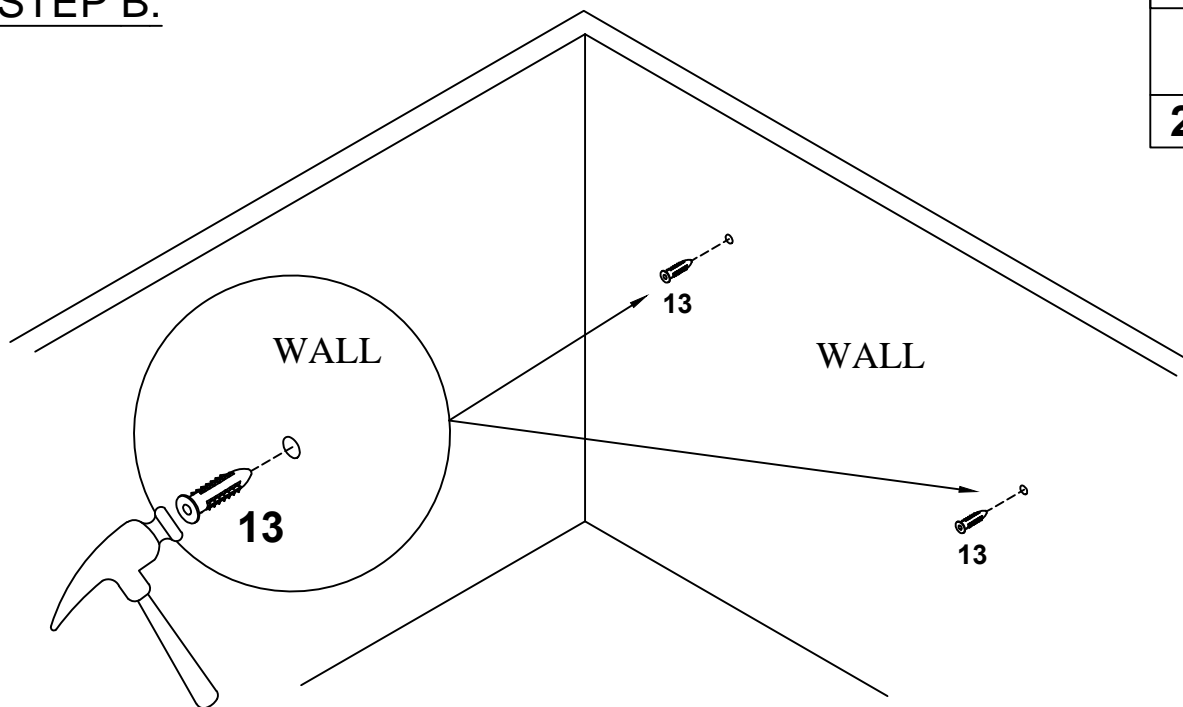


STEP A:



Drill holes in the wall.

STEP B:





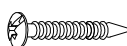

13

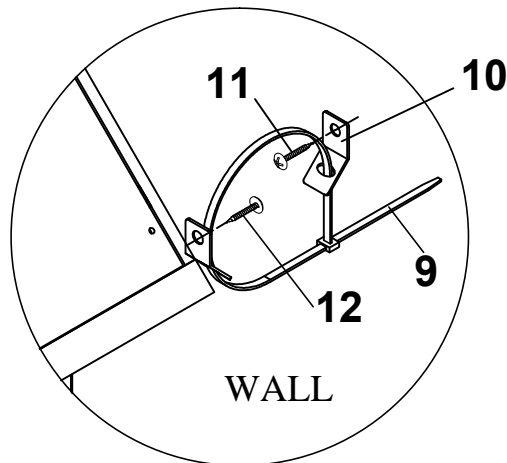


2PCS

Tap plastic anchor in with a hammer or mallet.

STEP C:

9	10	11	12
			
2PCS	4PCS	2PCS	2PCS



WALL

