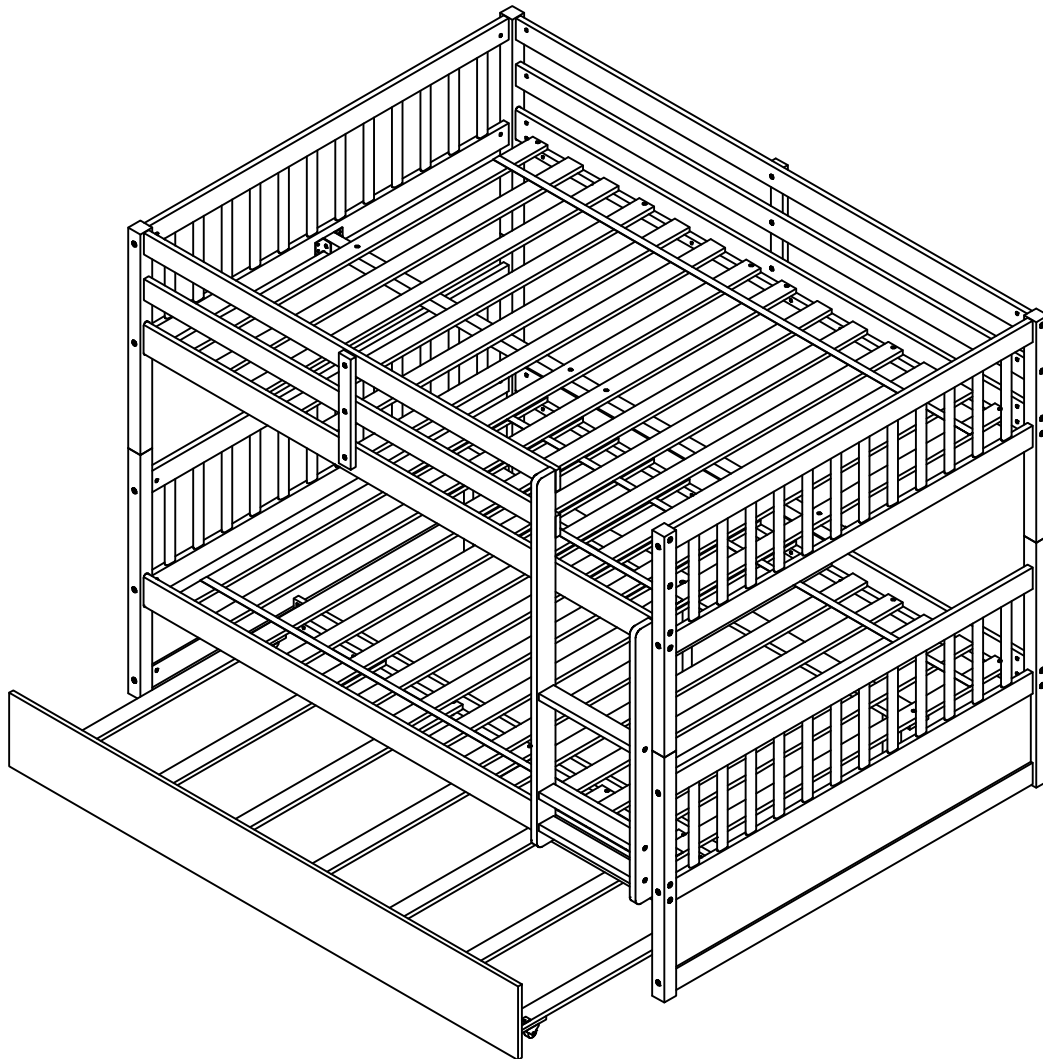


ASSEMBLY INSTRUCTIONS

FULL OVER FULL BUNKBED WITH TRUNDLE



DN11714



SAFETY WARNING



1. This bed is designed for use only mattress (es) meeting the following specifications on the upper bunk, and lower bunk:

Down bed

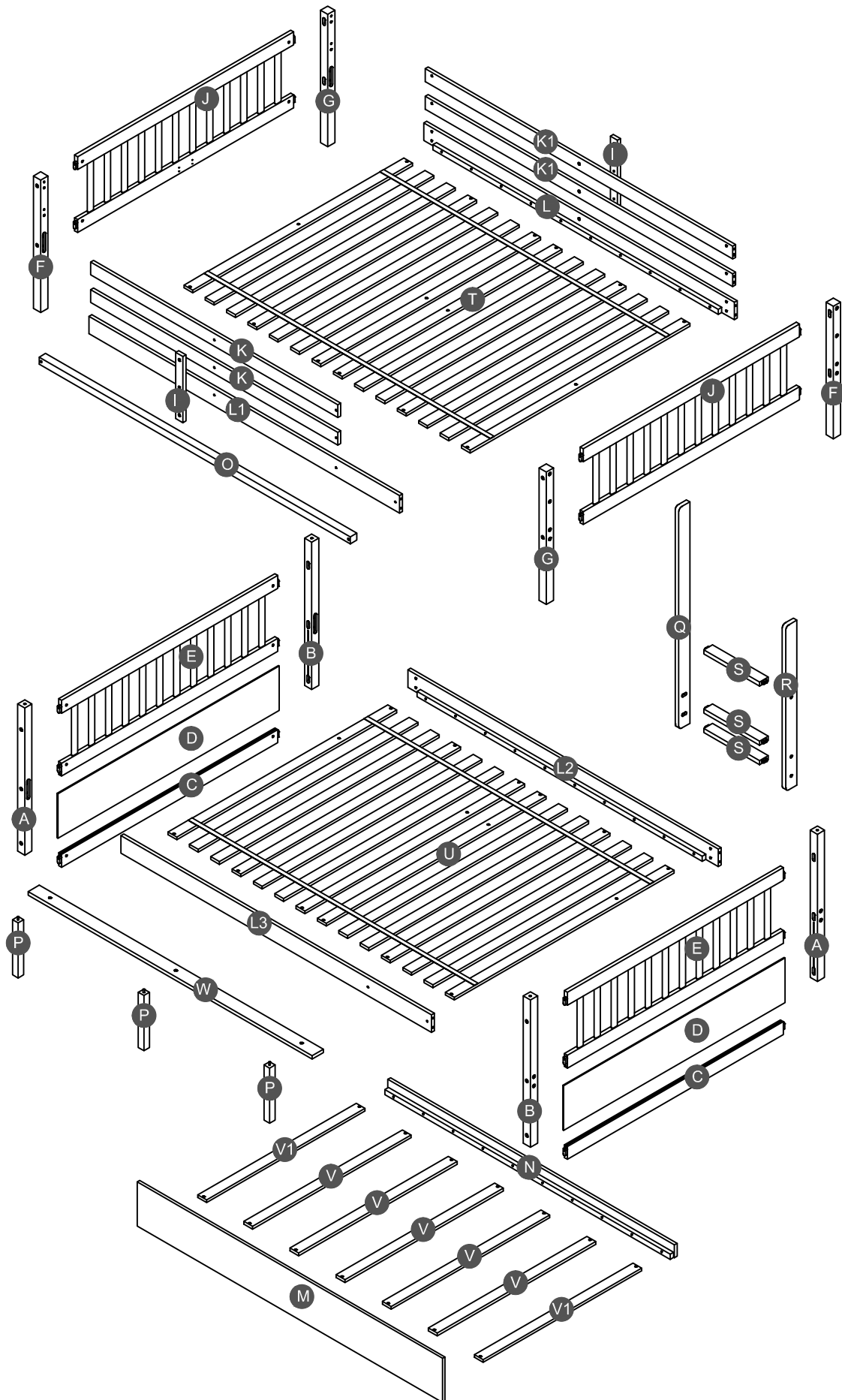
Bed type	Length	With	Thickness
Full Standard	74"-75"	53 1/2"	8" max

Up bed (Bunk bed and tribed included)

Bed type	Length	With	Thickness
Full Standard	74"-75"	53 1/2"	6" max

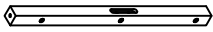
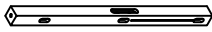
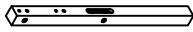


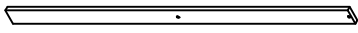
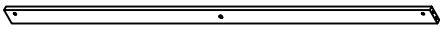

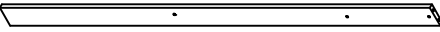

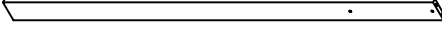

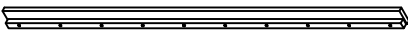
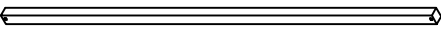
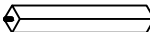
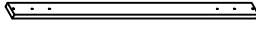
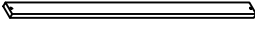

2. Replacement parts, including additional guardrails, maybe obtained from any of our FREIGHTMAN EC CO.,LTD.
3. Follow the information on the warnings appearing on the upper bunk bed end structure and on the carton. Do not remove warning label from bed.
4. Always use the recommended size mattresses or mattress supports, or both, to help prevent the likelihood of entrapment or falls.
5. Surface of mattress must be at least 5" (127mm) below the upper edge of guardrails.
6. Do not allow children under 6 years of age to use the upper bunk.
7. Periodically check and ensure that the guardrail, ladder, and other components are in their proper position, free from damage, and that all connectors are tight.
8. Do not allow horseplay on or under the bed and prohibit jumping on the bed.
9. Always use the ladder for entering and leaving the upper bunk.
10. Do not use substitute part. Contact the manufacture or dealer for replacement part.
11. Use of a night light may provide added safety precaution for a child using the upper bunk.
12. Always use guardrails on both long sides of the upper bunk. If the bunk bed will be placed next to the wall, the guardrail that runs the full length of the bed should be placed against the wall to prevent entrapment between the bed and wall.
13. The use of water or sleep flotation mattresses is prohibited.
14. STRANGULATION HAZARD - Never attach or hang items to any part of the bunk bed that are not designed for use with the bed; for example, but not limited to, hook, belts and jump ropes.
15. Keep these instruction for future reference.

Detail View


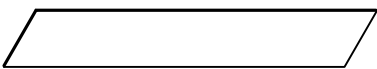
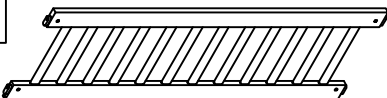
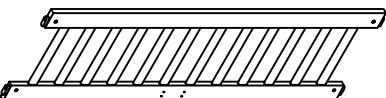
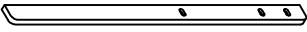
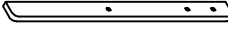
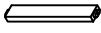
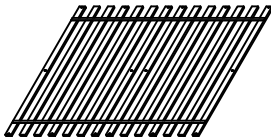
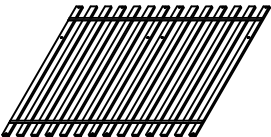


Part List


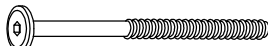
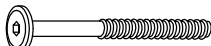
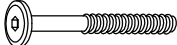


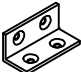

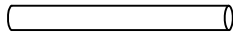

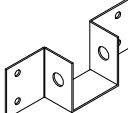

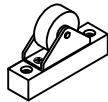
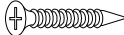



DN11714(2-1)

A  Lower leg Left Front /Right Back - 2pcs	B  Lower leg Left Back/Right Front - 2pcs	F  Upper leg Left Front /Right Back-2pcs
G  Upper leg Left Back/Right Front - 2pcs	I  Vertical guard rail - 2pcs	K  Upper Guard rail (front) - 2pcs
K1  Upper Guard rail (back) - 2pcs	L  Upper side rail (back)- 1pc	L1  Upper side rail (front)- 1pc
L2  Lower side rail (back)- 1pc	L3  Lower side rail (front)- 1pc	M  Front panel of trundle - 1pc
N  Back panel of trundle - 1pc	O  Upper slat support - 1pc	P  Leg support- 3pcs
V  Trundle Slat - 5pcs	V1  Trundle Slat - 2pcs	W  Lower support slat - 1pc

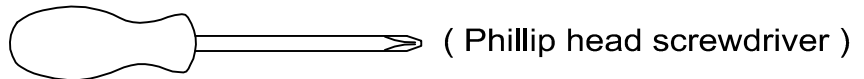
DN11714(2-2)

C  Horizontal bar - 2pcs	D  Lower Side panel - 2pcs	E  Lower HB&FB (2pcs)
J  Upper HB&FB (2pcs)	Q  Left side ladder - 1pc	R  Right side ladder - 1pc
S  Step ladder - 3pcs	T  Upper Slat - 1set (14pcs)	U  Lower Slat - 1set (14pcs)

Hardware List

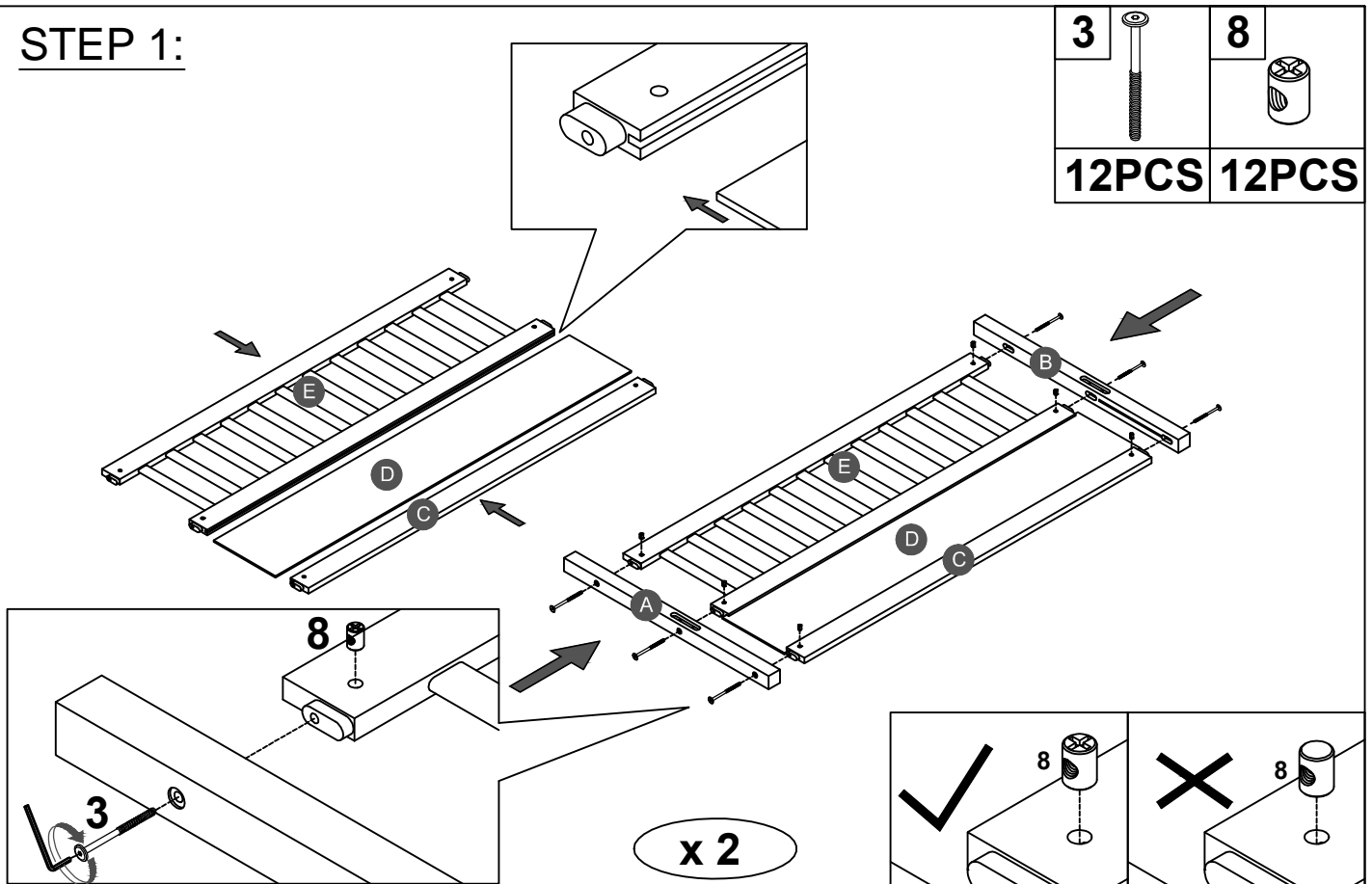
1	 Ø10*40mm Wood dowel (6pcs)	2	 (Ø15)1/4"*100mm Hex-Head bolts (22pcs)	3	 (Ø15)1/4"*80mm Hex-Head bolts (20pcs)
4	 (Ø12)1/4"*60mm Hex-Head bolts (6pcs)	5	 (Ø12)1/4"*40mm Hex-Head bolts (8pcs)	6	 (Ø12)1/4"*30mm Hex-Head bolts (6pcs)
7	 40*18*18*2mm Metal bracket (2pcs)	8	 1/4"*15 (9.5mm) Horizontal-Hole bolts(48pcs)	9	 Ø9*90mm Connecting bar (4pcs)
10	 (Ø13)1/4" x 9/16" Hex Cap (2pcs)	11	 116*40*27mm Hooks (2pcs)	12	 Ø3.5*15mm Wood screws (8pcs)
13	 100*63*20mm Wheels (4pcs)	14	 Ø4*30mm Wood screws (54pcs)	15	 (1/4")4.5*58mm Allen key (2pcs)
16	 95*95*18*3mm Metal bracket (2pcs)	17	 Ø3.5*15mm Wood screws (16pcs)		

ASSEMBLY TOOLS REQUIRED (NOT INCLUDED)



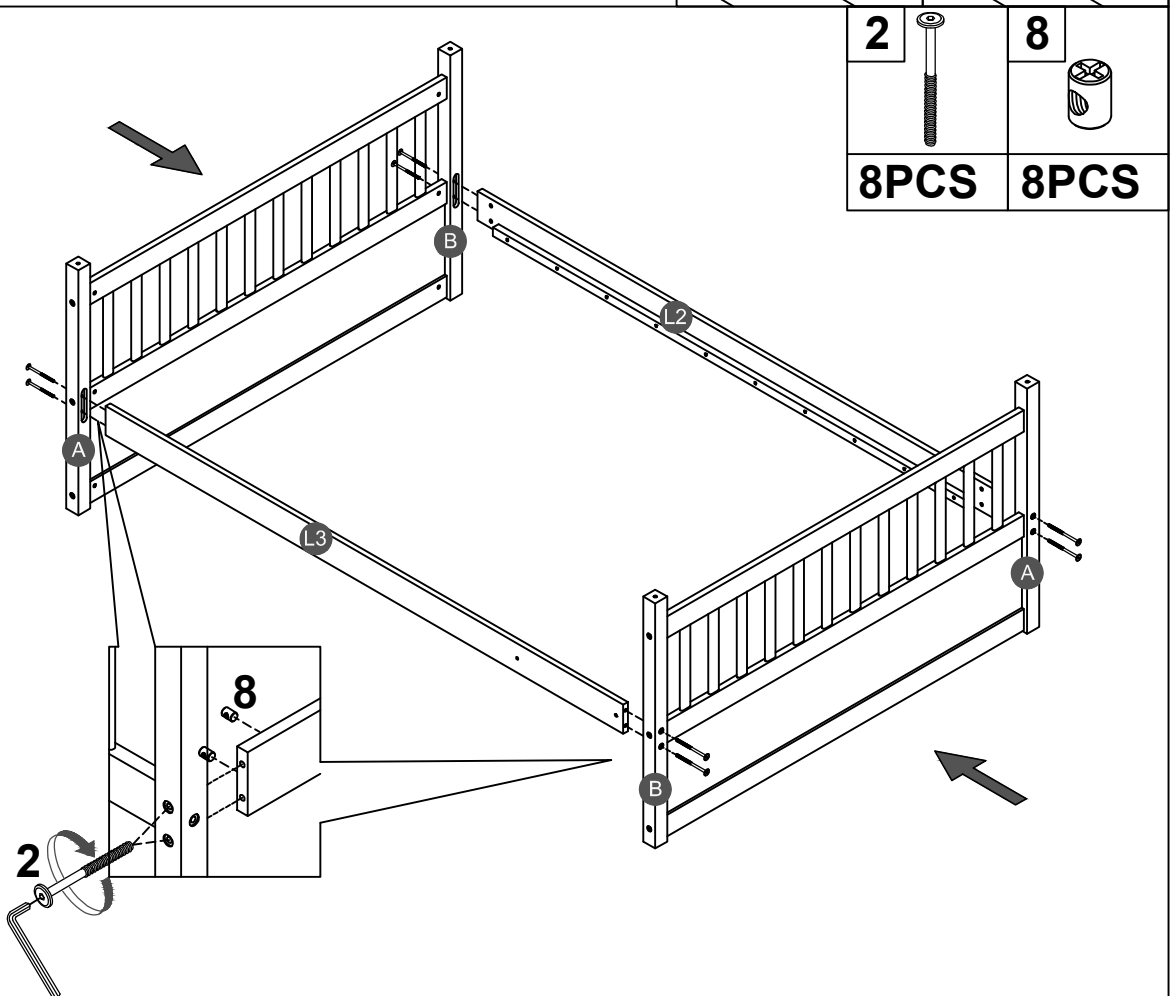
DO NOT USE POWER TOOLS TO ASSEMBLE THIS PRODUCT !

STEP 1:

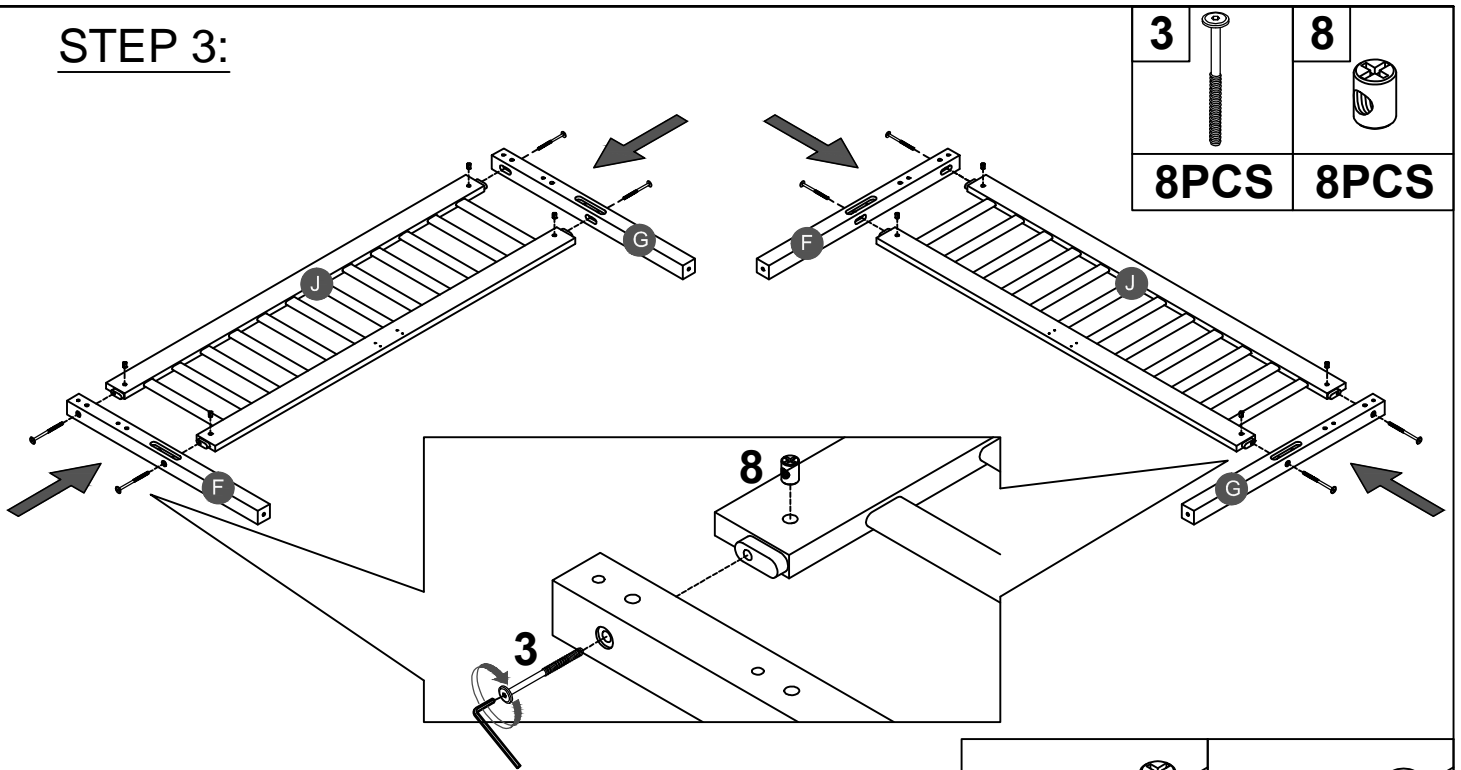


Note: Part 8 will face up with the "x" mark on it, otherwise it cannot be tightened

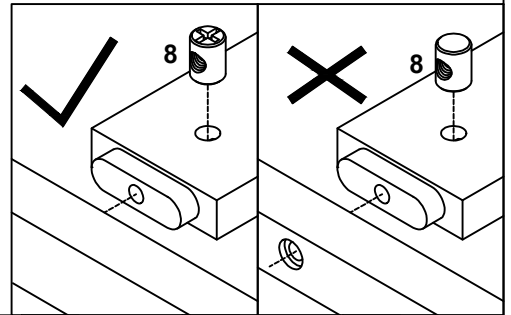
STEP 2:



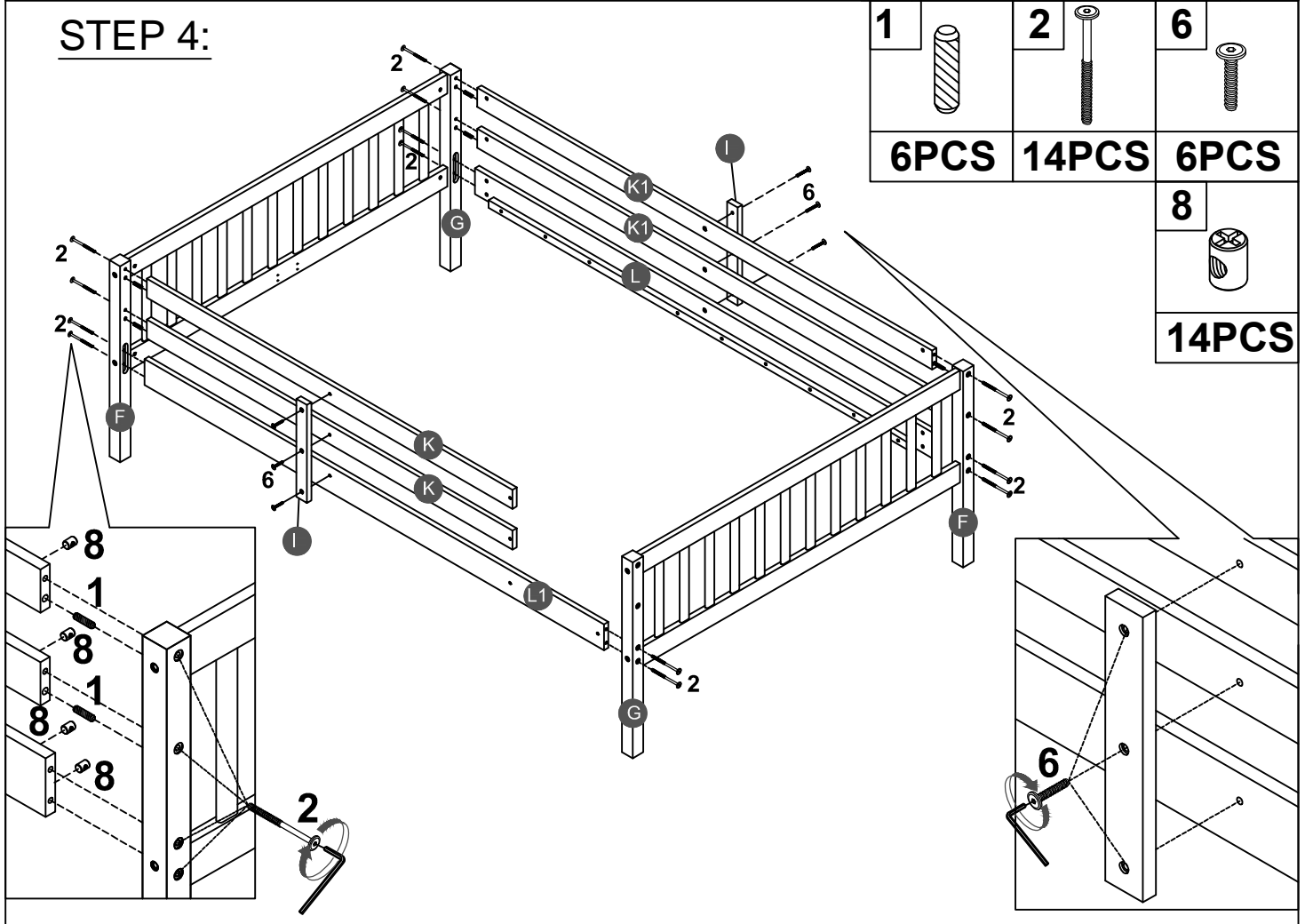
STEP 3:




Note: Part 8 will face up with the "x" mark on it, otherwise it cannot be tightened

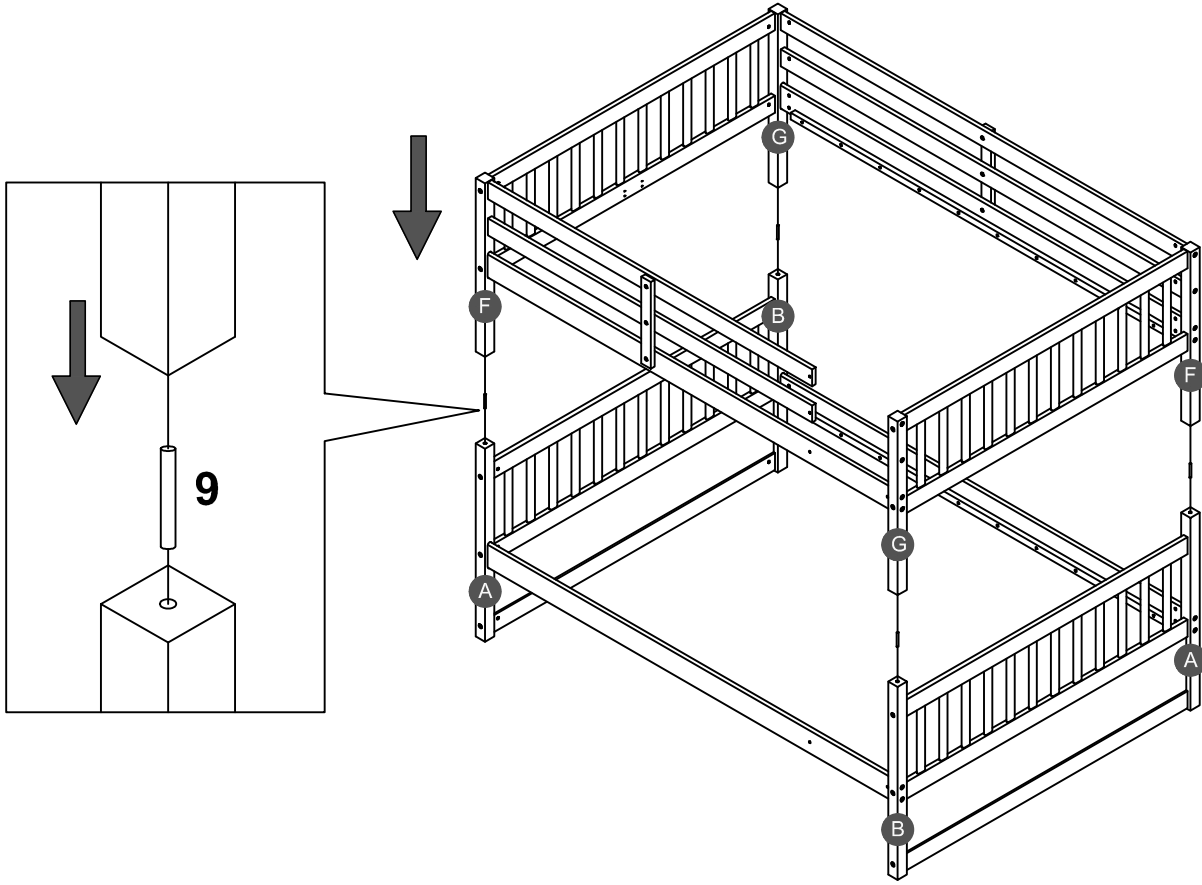


STEP 4:





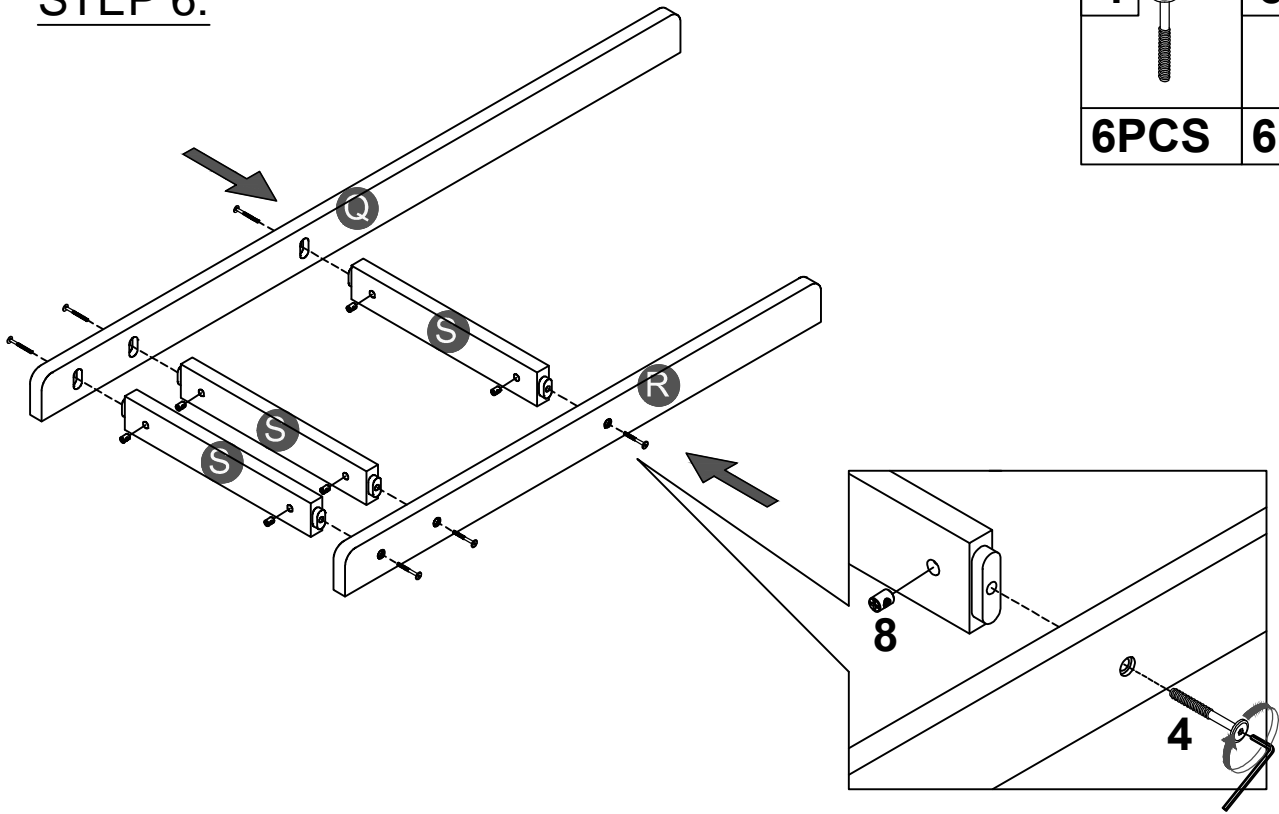
STEP 5:

9	
4PCS	

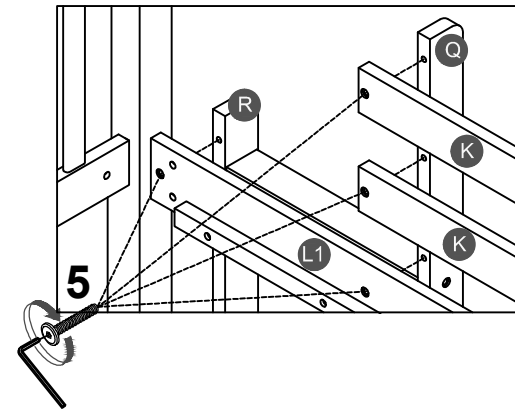
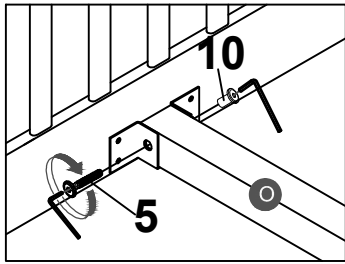
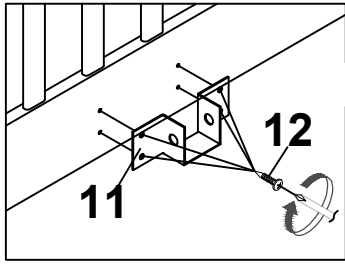


STEP 6:

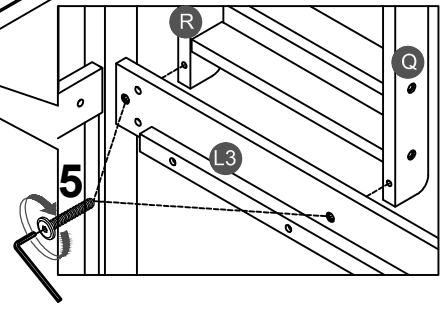
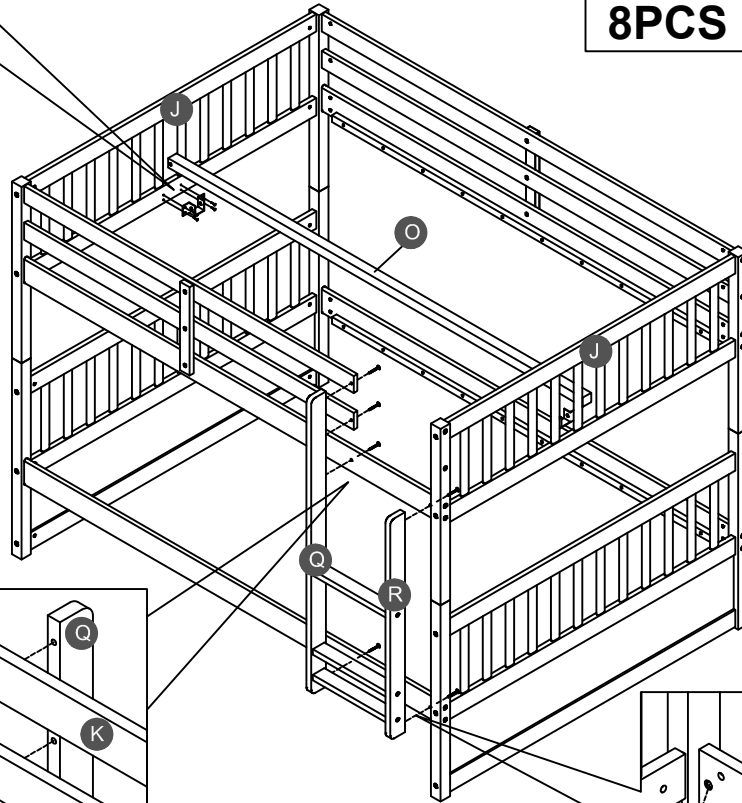
4		8	
6PCS		6PCS	



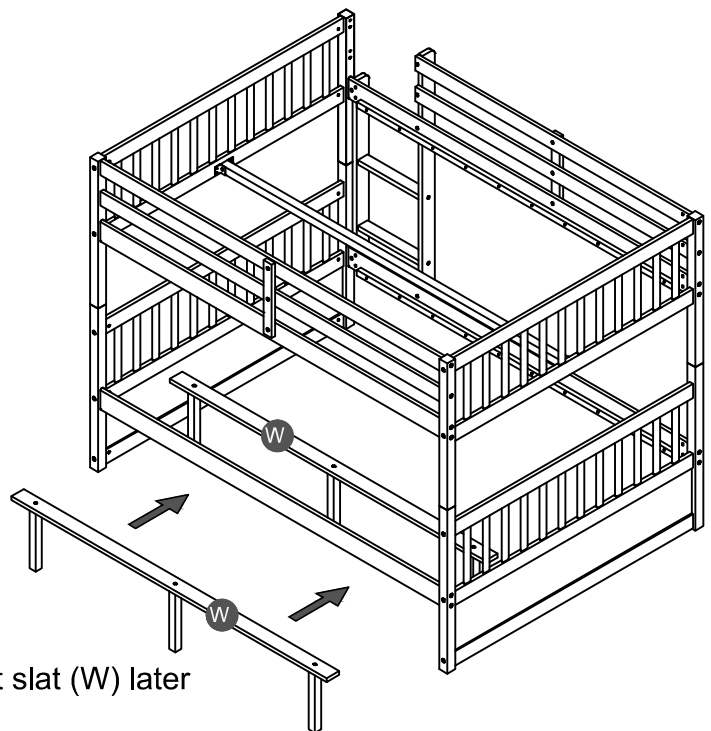
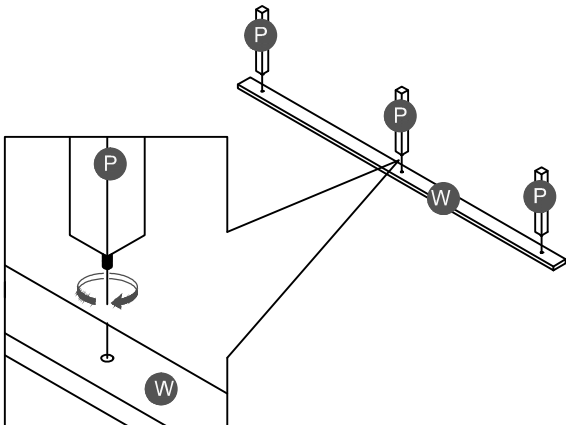
STEP 7:



5		10		11	
8PCS		2PCS		2PCS	
				12	
				8PCS	



STEP 8:



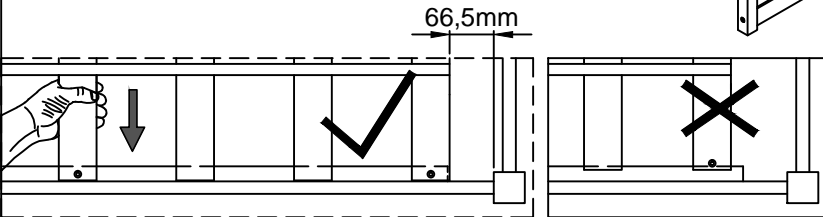
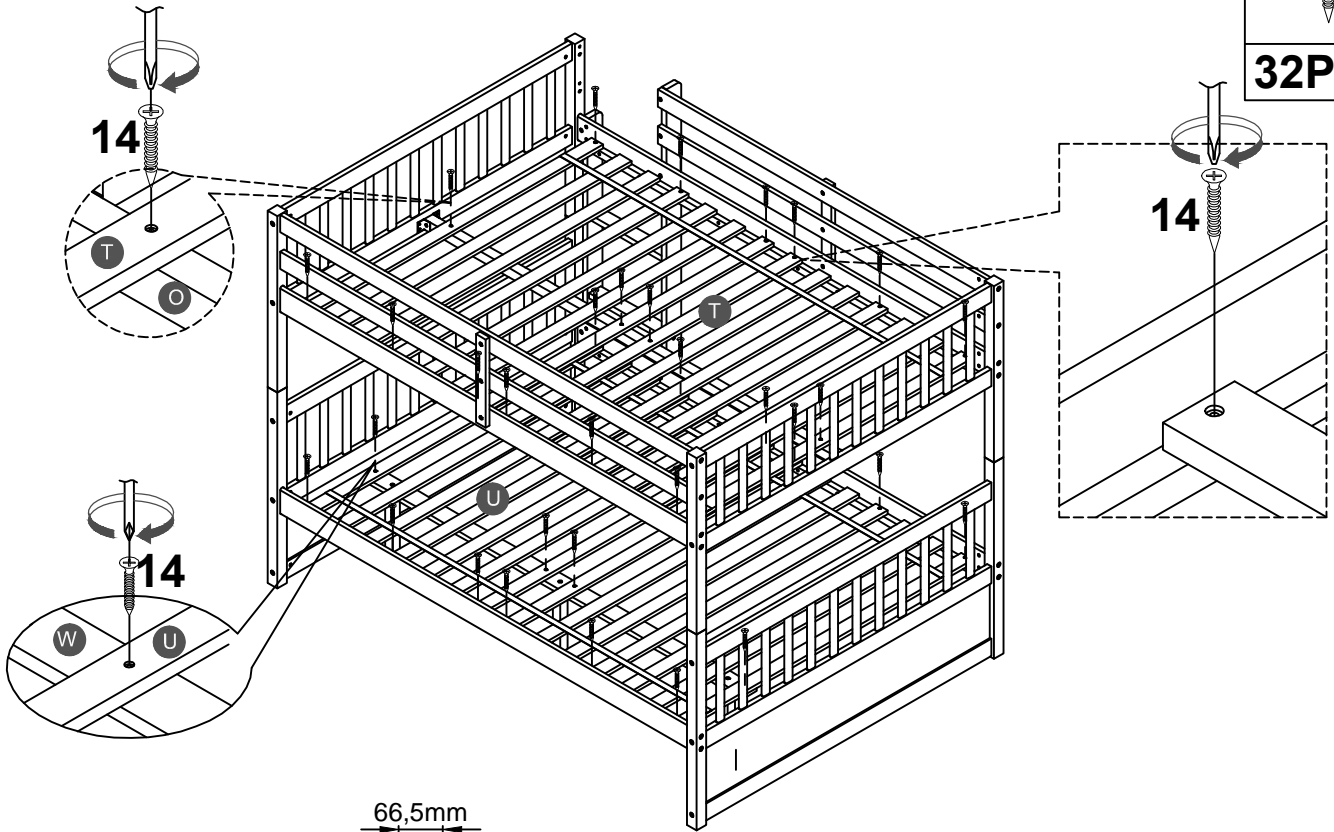
Assembling leg support (P) with lower support slat (W) later rotate, Move support slat inside Full bunkbed.

STEP 9:

14



32PCS



Note: Do not lock the screws of the bed slats to the outermost edge of the bed slats, you need to leave a certain space at the edges, otherwise it will cause the board to break. Do not lock the bed slats on the edge of the wood, please hold firmly before screwing, hold it in place with one hand, then lock the screw.

STEP 10:

13

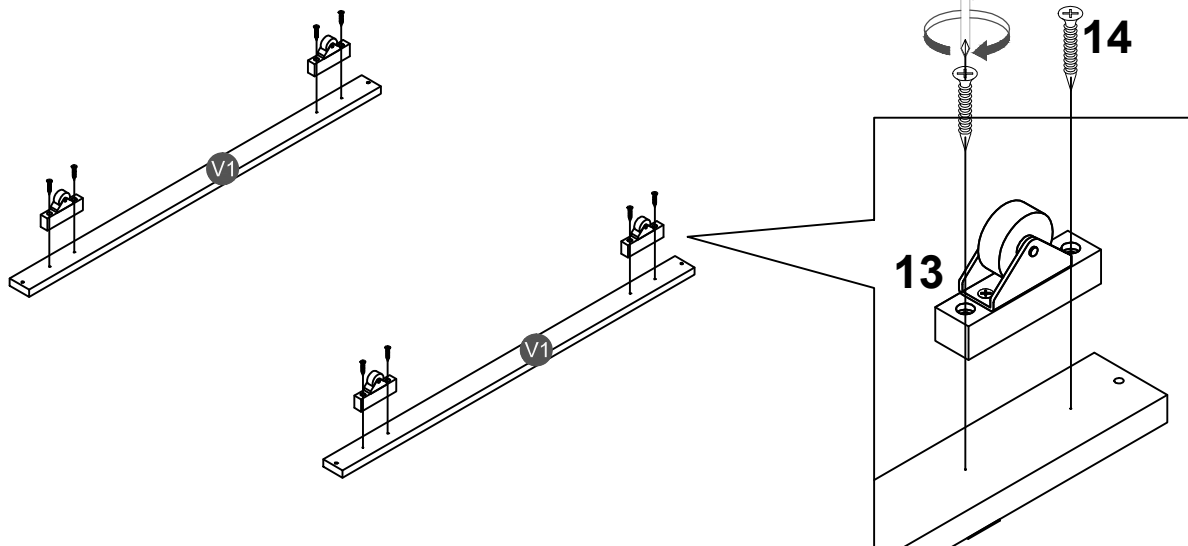


14



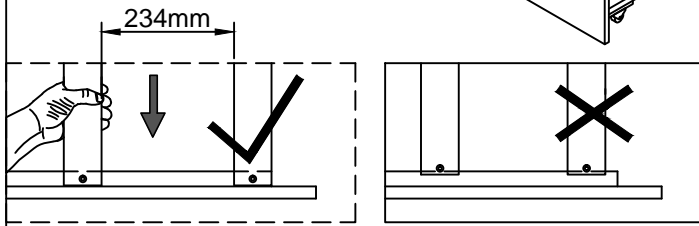
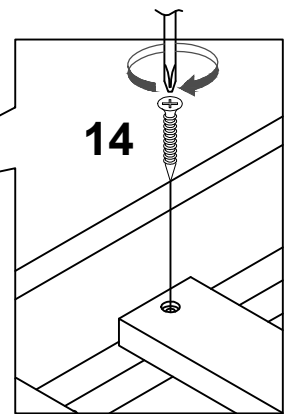
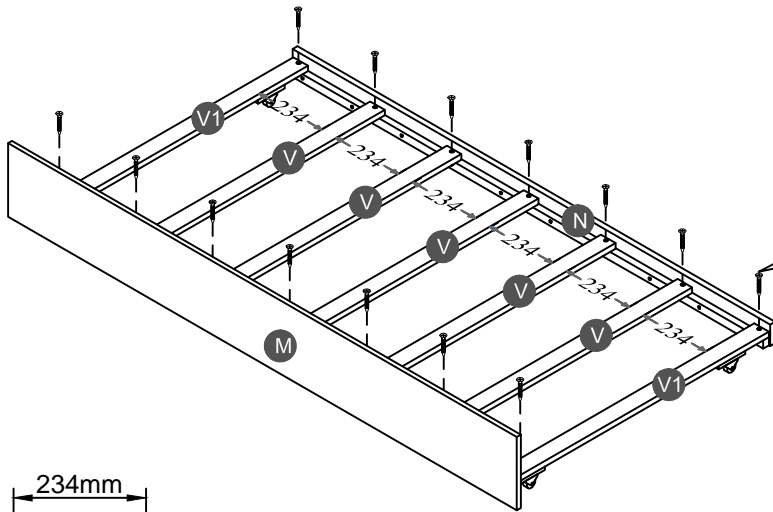
4PCS

8PCS





STEP 11:

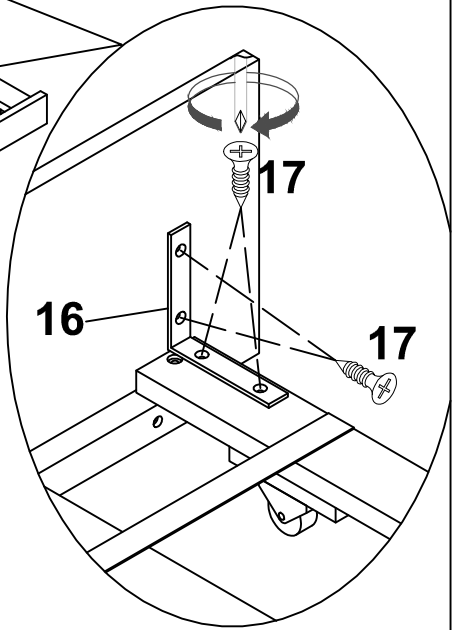
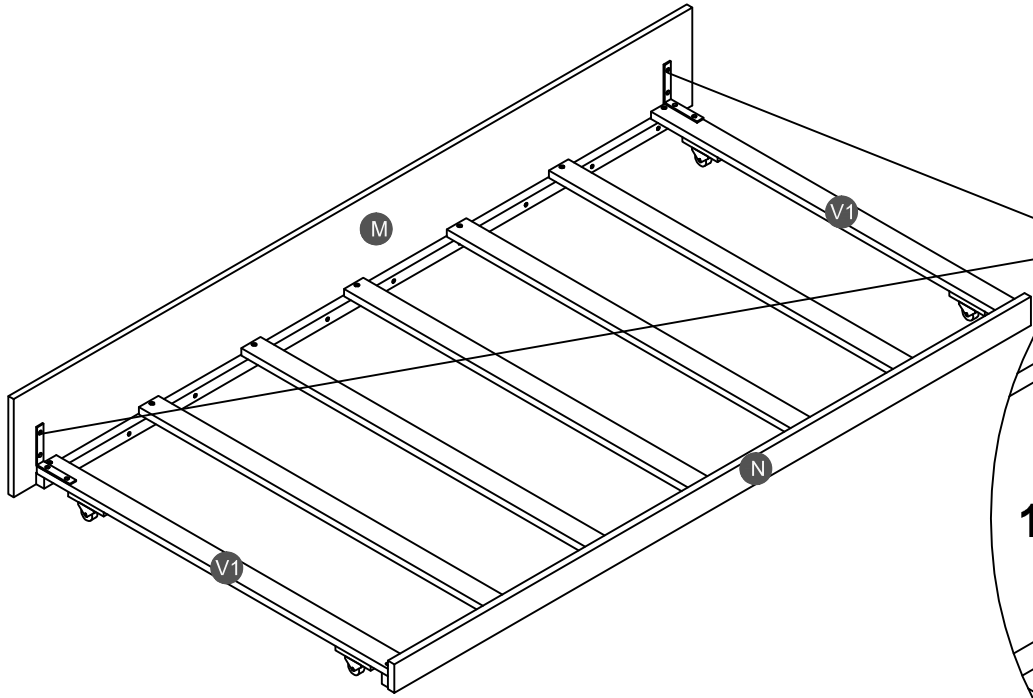
14
14PCS



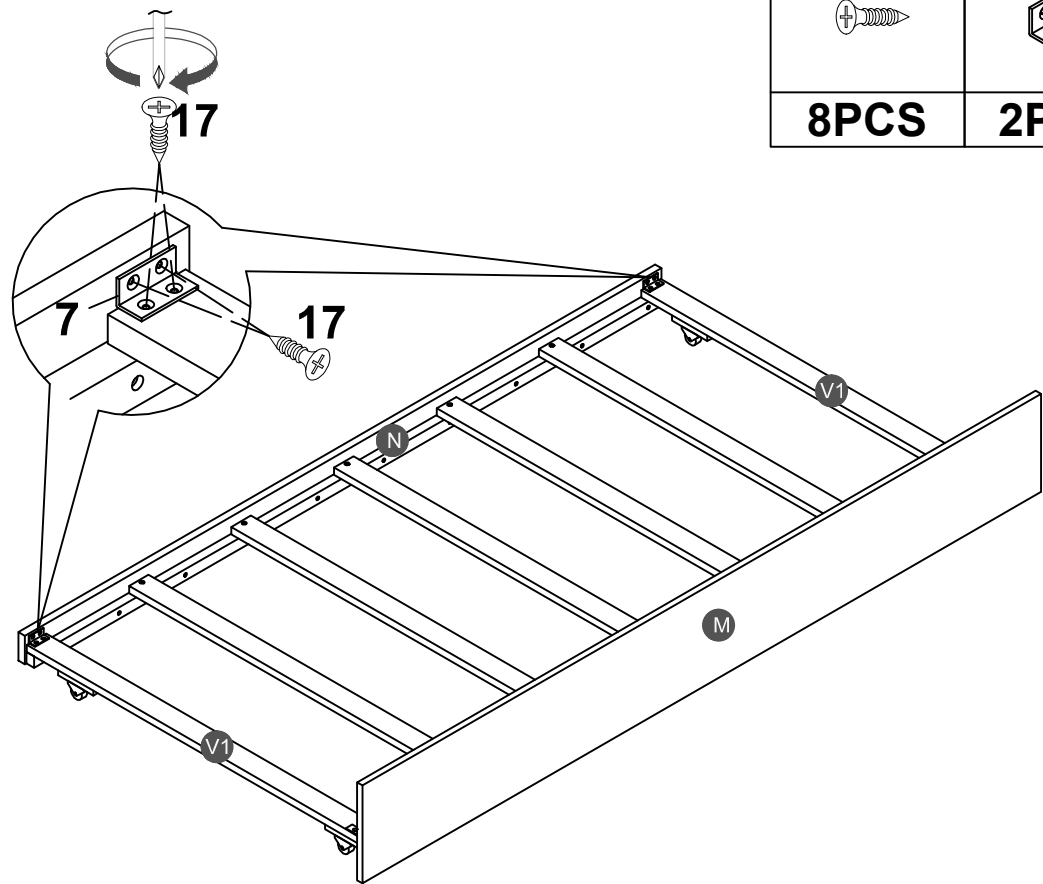
Note: Do not lock the screws of the bed slats to the outermost edge of the bed slats, you need to leave a certain space at the edges, otherwise it will cause the board to break.
Do not lock the bed slats on the edge of the wood, please hold firmly before screwing, hold it in place with one hand, then lock the screw.

STEP 12:

16 	17 
2PCS	8PCS



STEP 13:



17



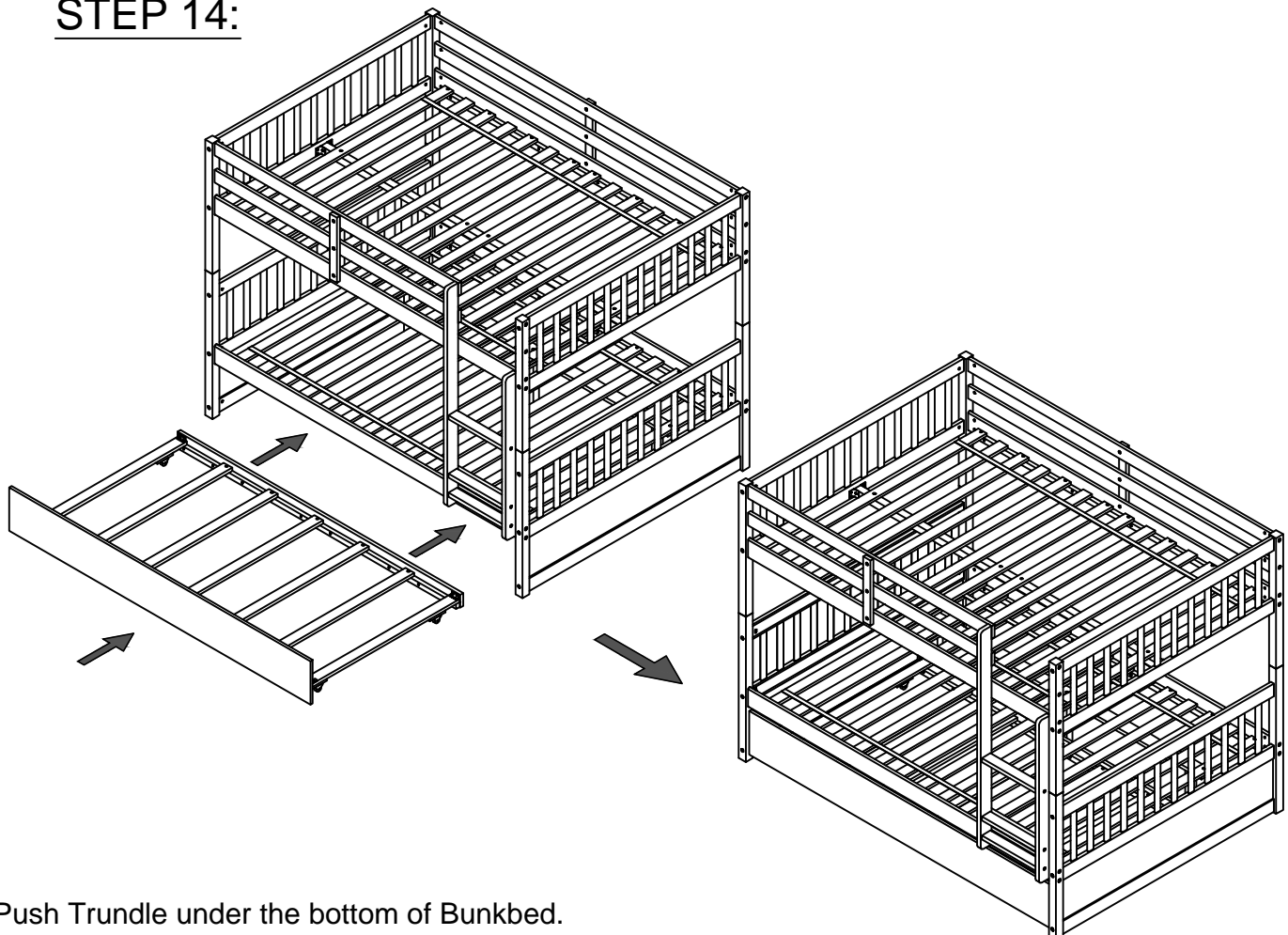
8PCS

7



2PCS

STEP 14:



Push Trundle under the bottom of Bunkbed.