
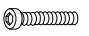

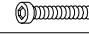

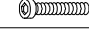


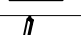

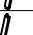





Assembly Instruction

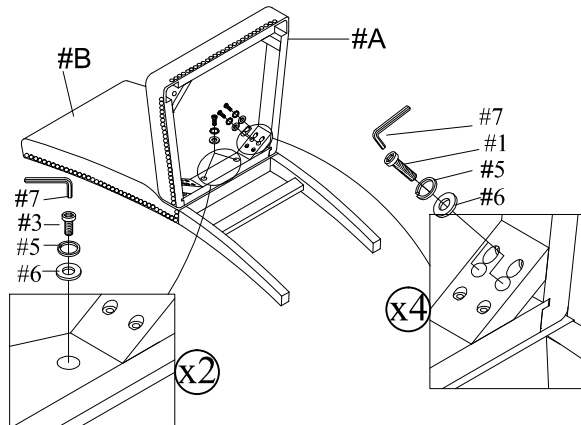
COUNTER HEIGHT CHAIR

W50455885/ W50455886/ W50455887

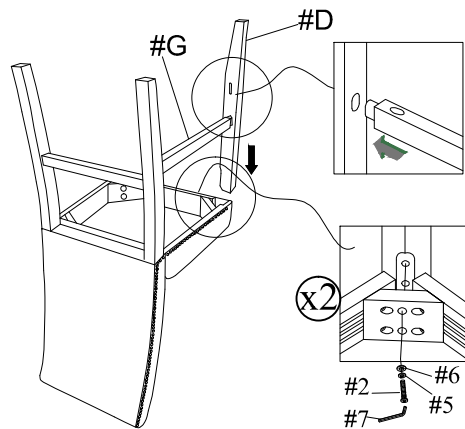
Thank you for purchasing this quality product. Be sure to check all packing materials carefully for small parts, which may have come loose inside the carton during shipment. Identify and count all items and compare with the parts list and/or hardware list shown below.

PARTS LIST				HARDWARE LIST			
No.	DESCRIPTION	SKETCH	Q'TY	No.	DESCRIPTION	SKETCH	Q'TY
A	SEAT FRAME WITH CUSHION		4	1	ALLEN BOLT (5/16" x 3-1/4"mm)		16
B	BACK FRAME WITH CUSHION		4	2	ALLEN BOLT (5/16" x 2-1/4"mm)		16
C	FRONT LEFT LEG		4	3	ALLEN BOLT (5/16" x 1-1/2"mm)		8
D	FRONT RIGHT LEG		4	4	SCREW (35mm)		24
E	FRONT STRETCHER		4	5	SPRING WASHER (5/16 ")		40
F	LEFT STRETCHER		4	6	FLAT WASHER (5/16 ")		40
G	RIGHT STRETCHER		4	7	ALLEN KEY M5		4

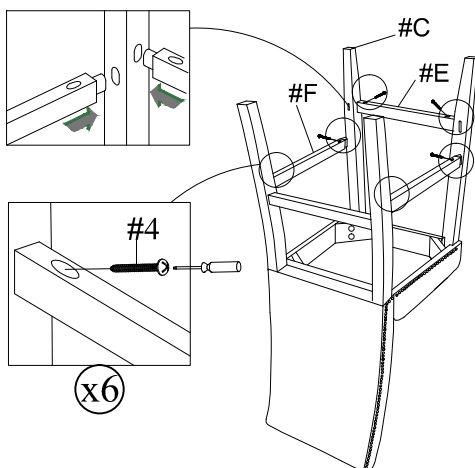
STEP : 1



STEP : 2



STEP : 3



STEP : 4

