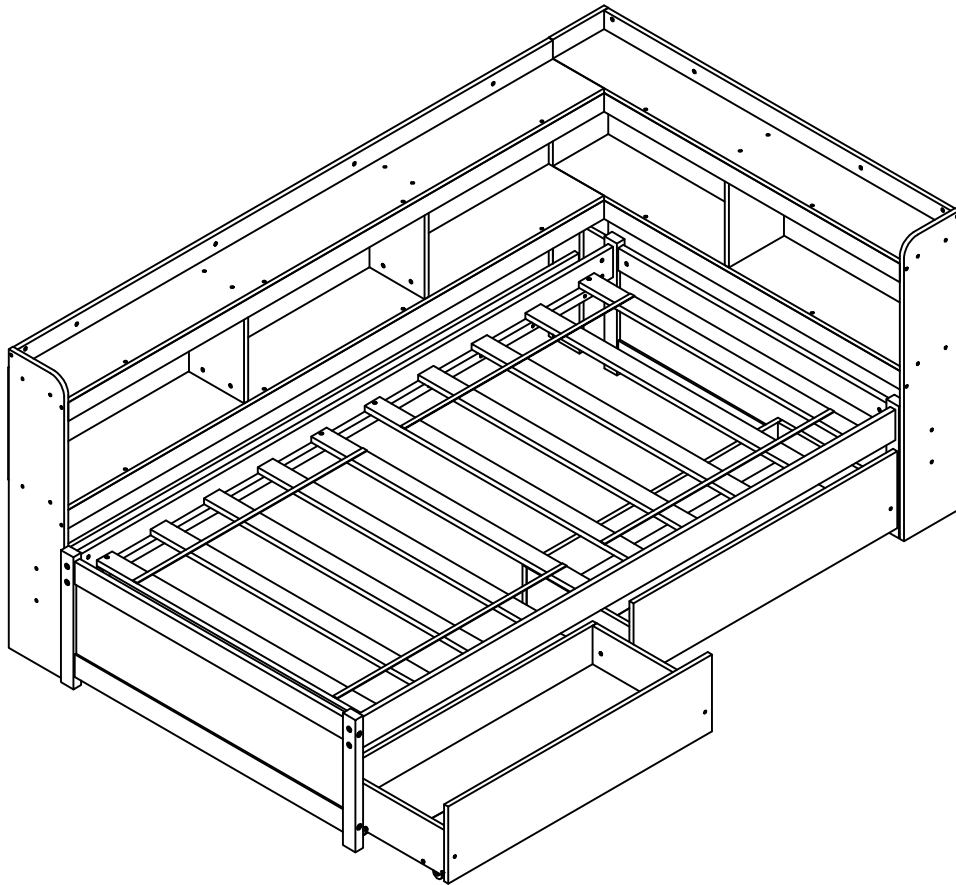


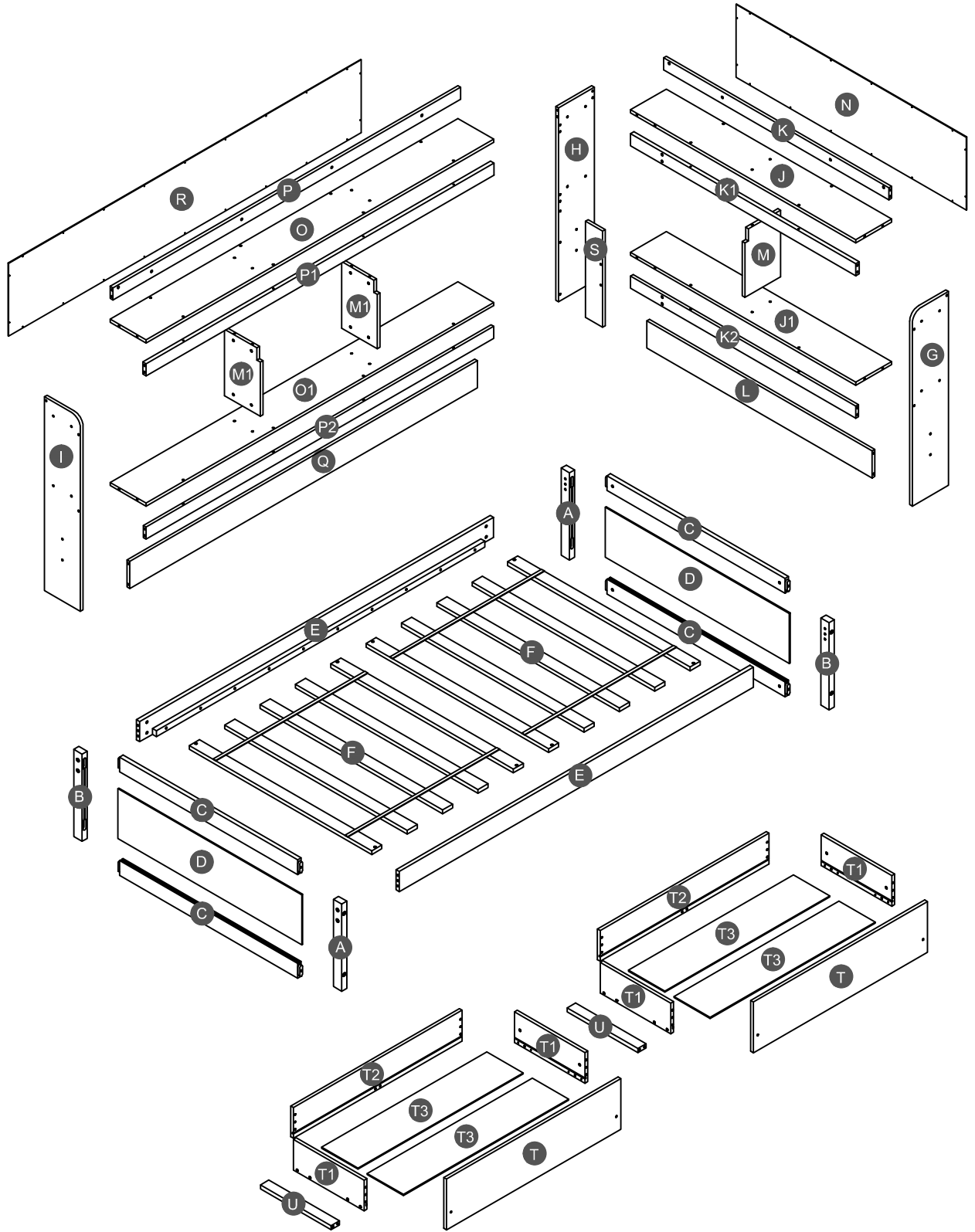
ASSEMBLY INSTRUCTIONS

TWIN BED WITH "L" BOOKCASE, 2 DRAWERS



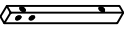

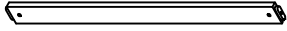

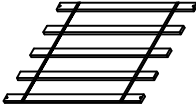
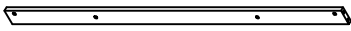
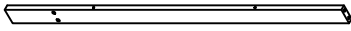
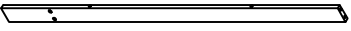
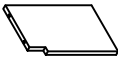
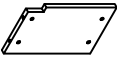
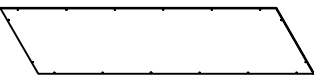
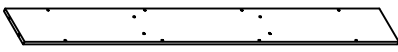

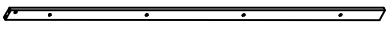
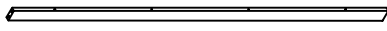



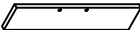
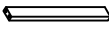
DN33753

Detail View



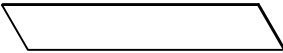
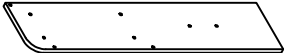
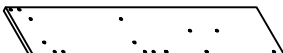
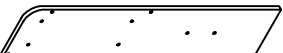
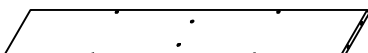
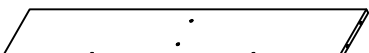
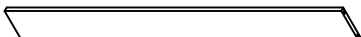

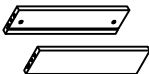


Part List

DN33753 (1-2)

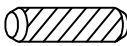
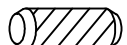
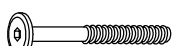
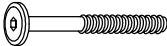


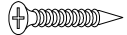

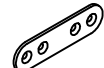
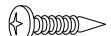
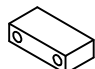
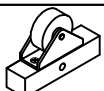
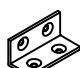
A  Leg (Left Front/Right Back) - 2pcs	B  Leg (Left Back/Right Front) - 2pcs	C  Horizontal bar HB & FB - 4pcs
E  Side rail - 2pcs	F  Slats - 2sets (5pcs/set)	K  Upper horizontal bar (Back) - 1pc
K1  Upper horizontal bar (Front) - 1pc	K2  Lower horizontal bar (Front) - 1pc	M  Divider panel - 1pc
M1  Divider panel - 2pcs	N  Back panel - 1pc	O  Top panel - 1pc
O1  Shelf panel - 1pc	P  Upper horizontal bar (Back) - 1pc	P1  Upper horizontal bar (Front) - 1pc
P2  Lower horizontal bar (Front) - 1pc	Q  Lower horizontal bar - 1pc	R  Back panel - 1pc
S  Support (Front) - 1pc	U  Support drawer - 2pcs	

Part List

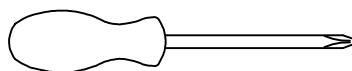
Hardware List DN33753 (2-2)

<p>D</p>  <p>Side panel HB & FB - 2pcs</p>	<p>G</p>  <p>Side panel (Right) - 1pc</p>	<p>H</p>  <p>Side panel (Left) - 1pc</p>
<p>I</p>  <p>Side panel (Left) - 1pc</p>	<p>J</p>  <p>Top panel - 1pc</p>	<p>J1</p>  <p>Shelf panel - 1pc</p>
<p>L</p>  <p>Lower horizontal bar - 1pc</p>	<p>T</p>  <p>Front drawer panel - 2pcs</p>	<p>T1</p>  <p>Left / right drawer panel - 4pcs</p>
<p>T2</p>  <p>Back drawer panel - 2pcs</p>	<p>T3</p>  <p>Drawer bottom - 4pcs</p>	

Hardware List DN33753 (2-2)

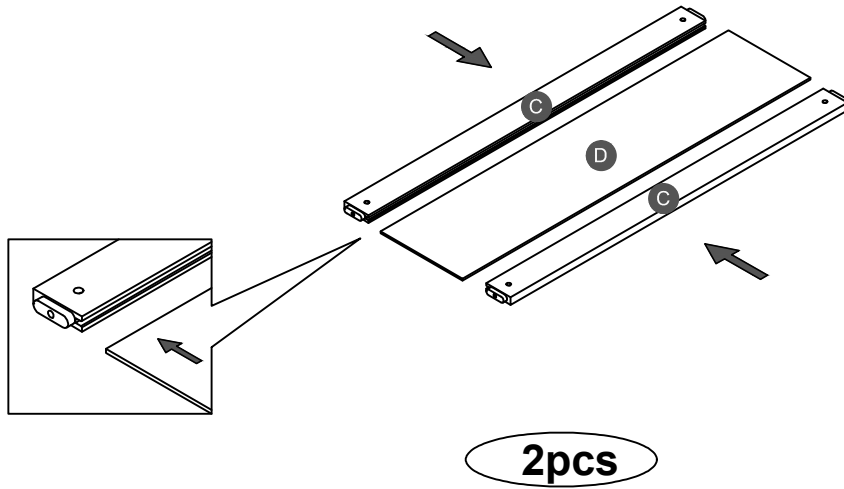
1  Ø8*30mm Wood dowel (45pcs)	2  Ø10*20mm Wood dowel (8pcs)	3  (Ø15)1/4"*80mm Hex-Head bolts (16pcs)
4  (Ø12)1/4"*60mm Hex-Head bolts (66pcs)	5  1/4"*15 (9.5mm) Horizontal-Hole bolts(82pcs)	6  (Ø12)1/4"*40mm Hex-Head bolts (6pcs)
7  Ø4*30mm Wood screws (30pcs)	8  (1/4")4.5*58mm Allen key (1pc)	9  75*20*2 mm Metal bracket (2pcs)
10  Ø3.5*15mm Wood screws (54pcs)	11  70*35*19 mm Drawer stopper (3pcs)	12  100*54*20 mm Wheels (8pcs)
13  40*18*18*2mm Metal bracket (2pcs)		

ASSEMBLY TOOLS REQUIRED (NOT INCLUDED)





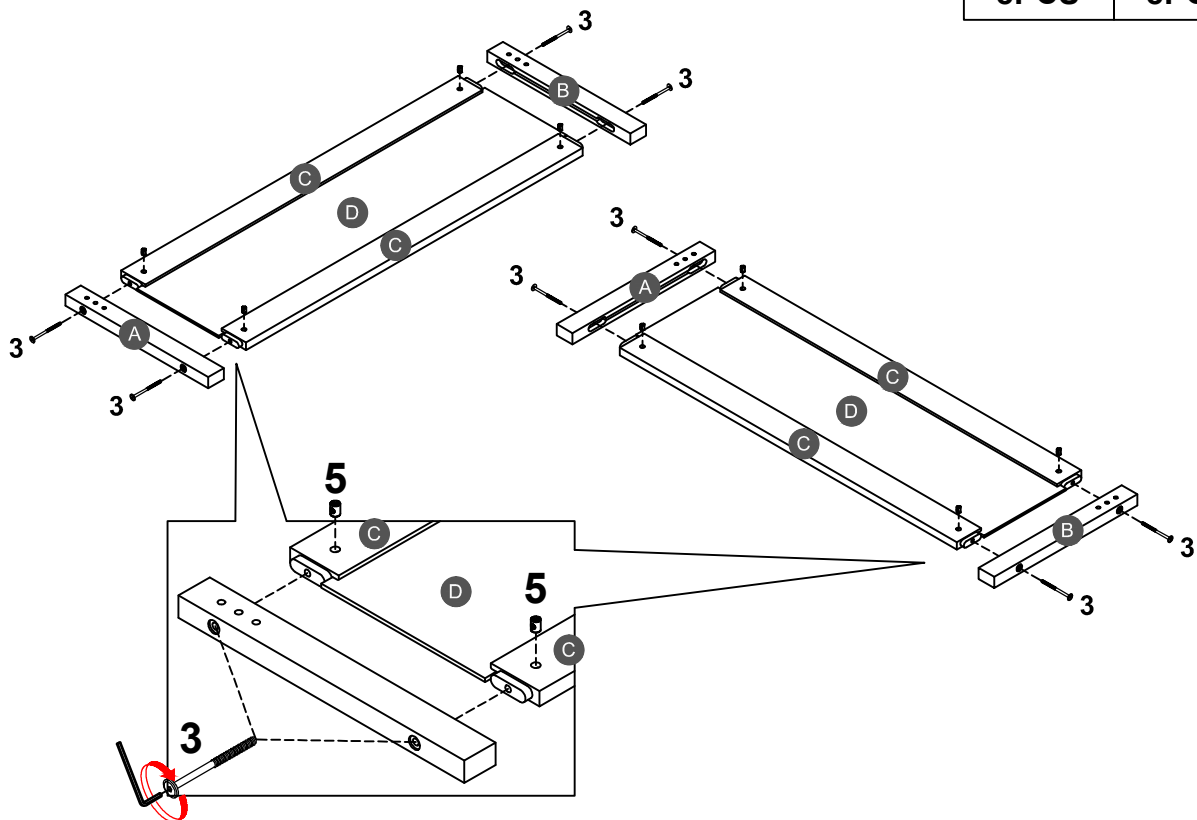
PLEASE BE CAREFUL DO NOT DAMAGE THE HOLE POSITION WHEN YOU USE POWER TOOLS !

STEP 1:

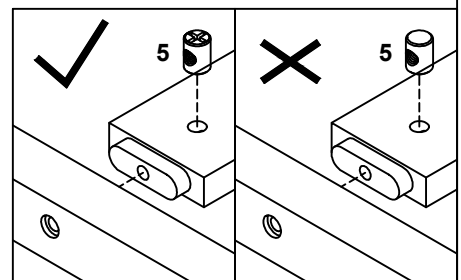


STEP 2:



3	5
	
8PCS	8PCS

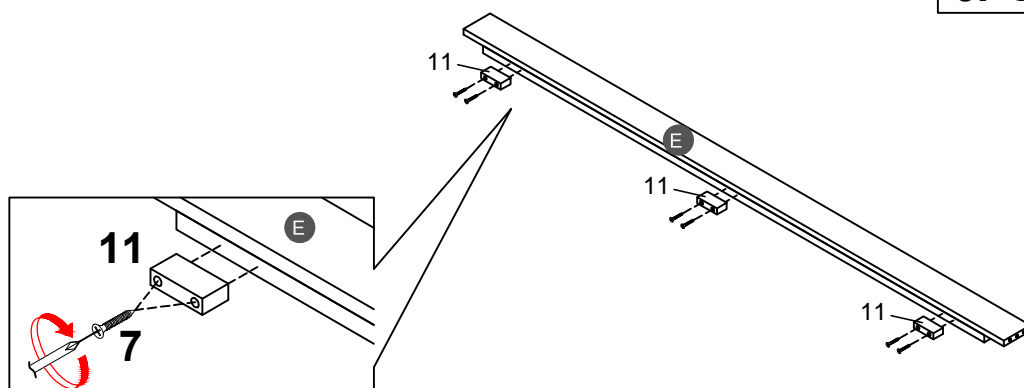


Note: Part 5 will face up with the "x" mark on it, otherwise it cannot be tightened






STEP 3:

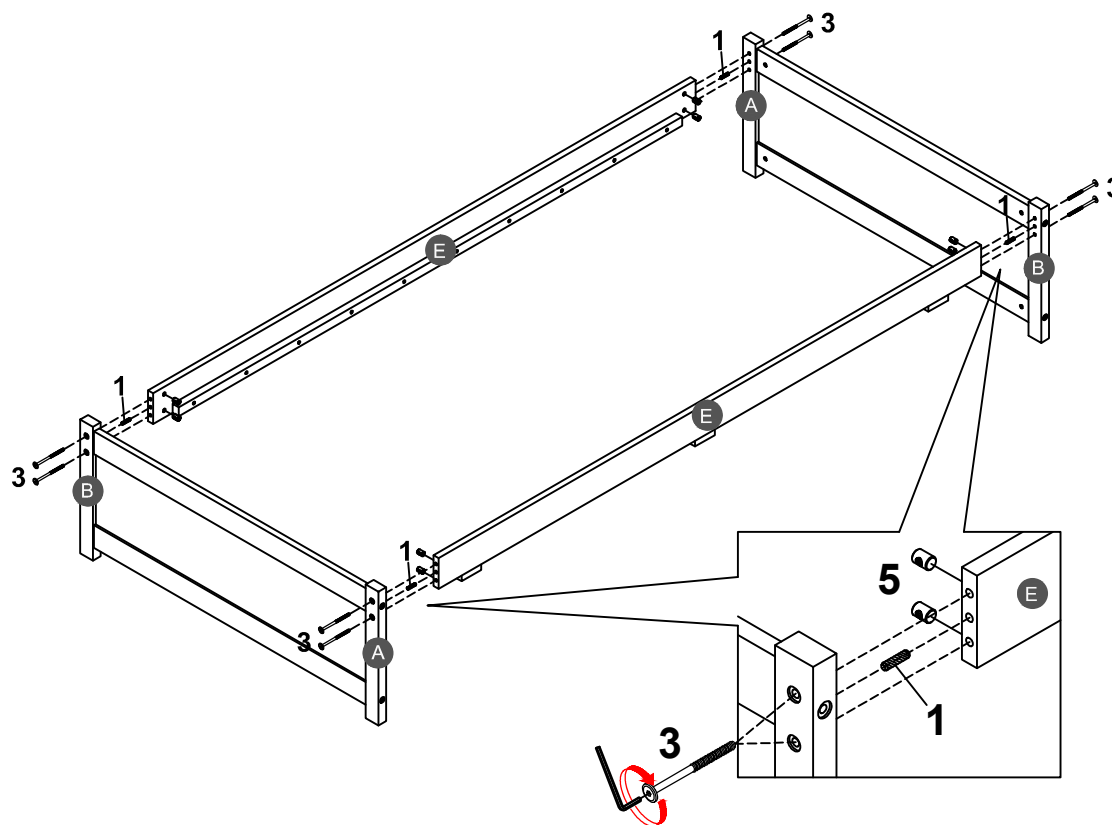
7 	11 
6PCS	3PCS



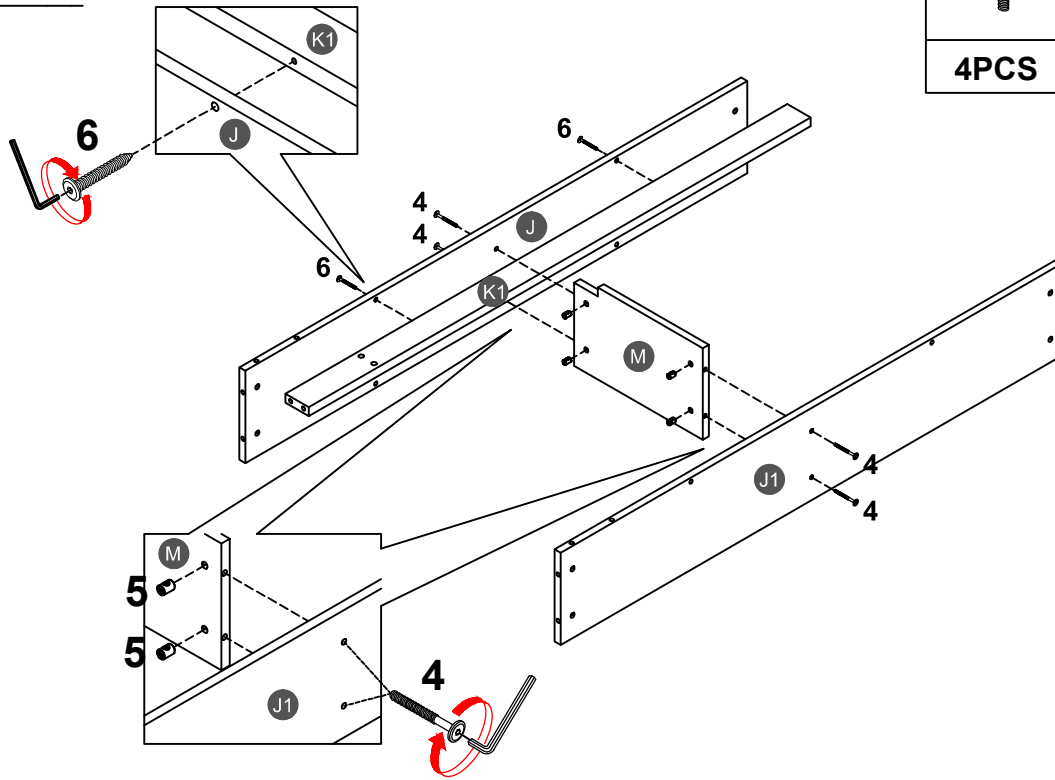
Drawer stopper (11) with lower side rail front (E) by using screw (7).




STEP 4:

1 	3 	5 
4PCS	8PCS	8PCS

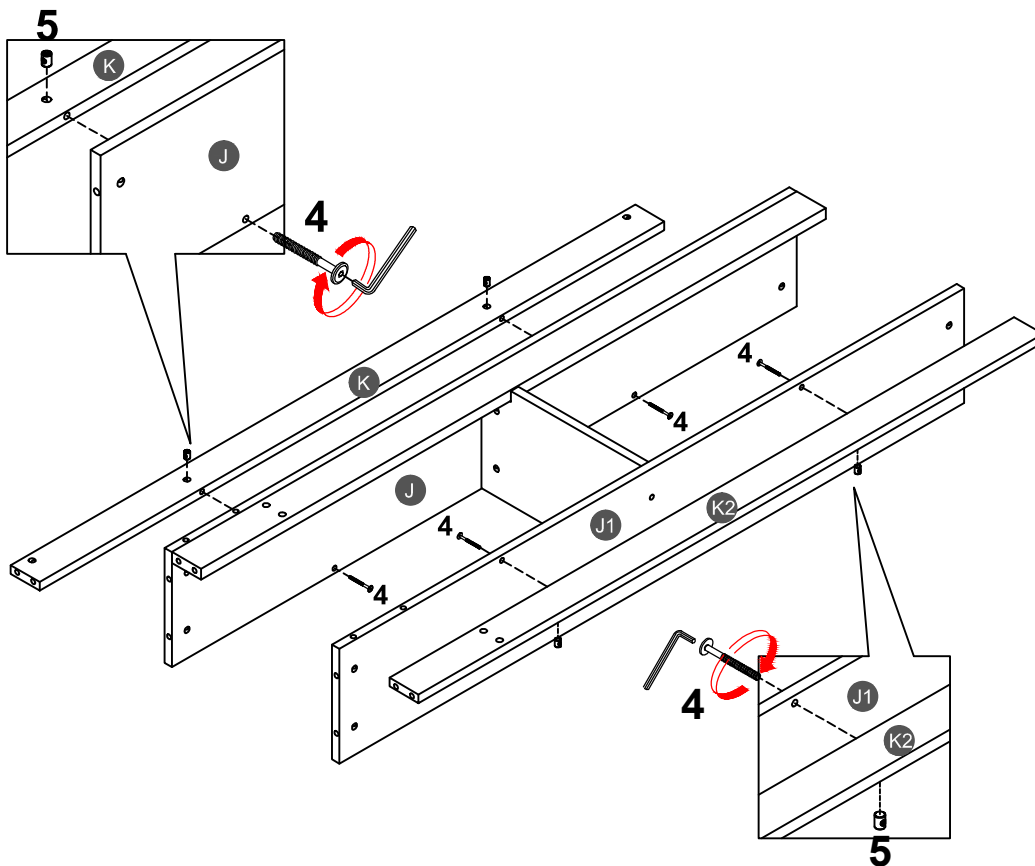




STEP 5:



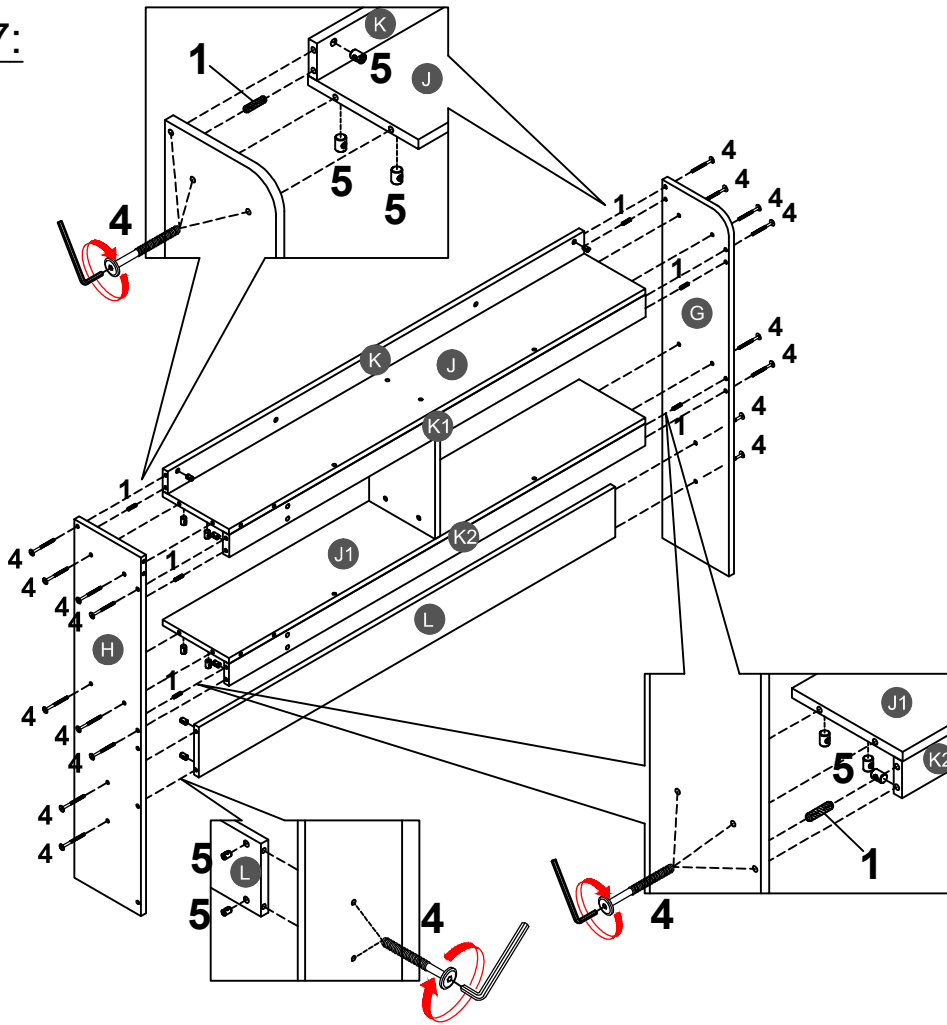
4		5	
4PCS		4PCS	
		6	
2PCS			

STEP 6:



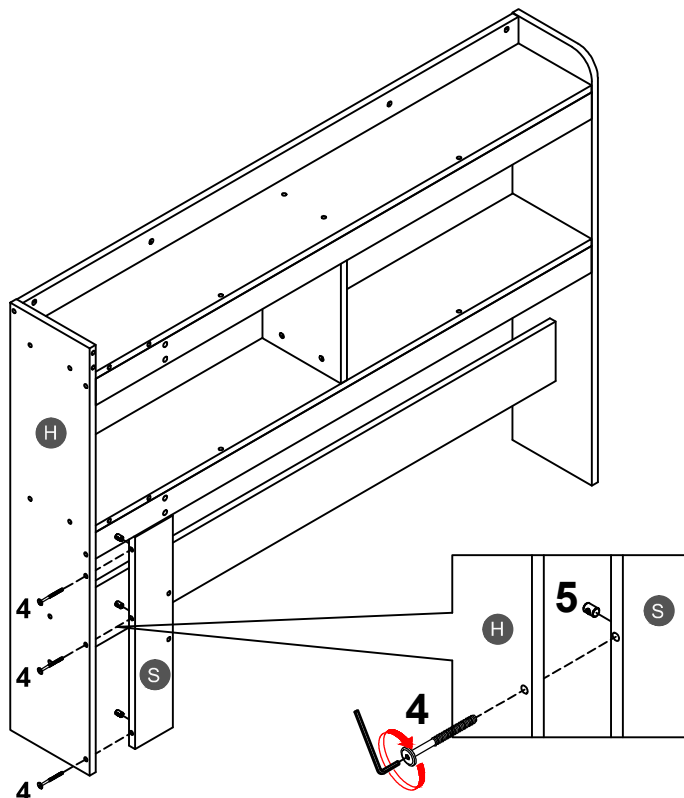
4	
4PCS	
5	
4PCS	

STEP 7:



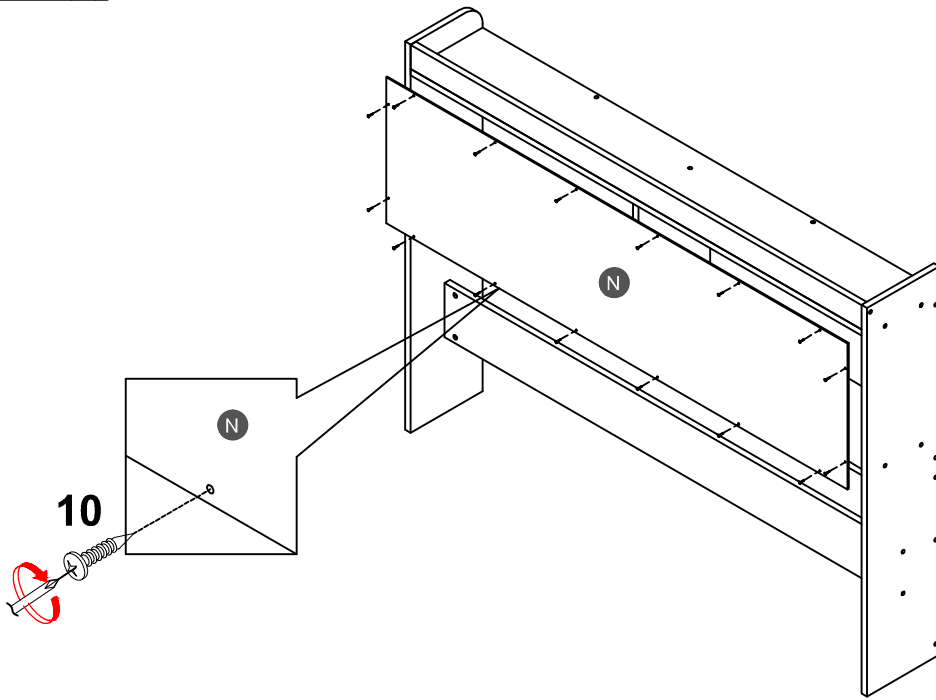
1	
6PCS	
4	
18PCS	
5	
18PCS	


STEP 8:



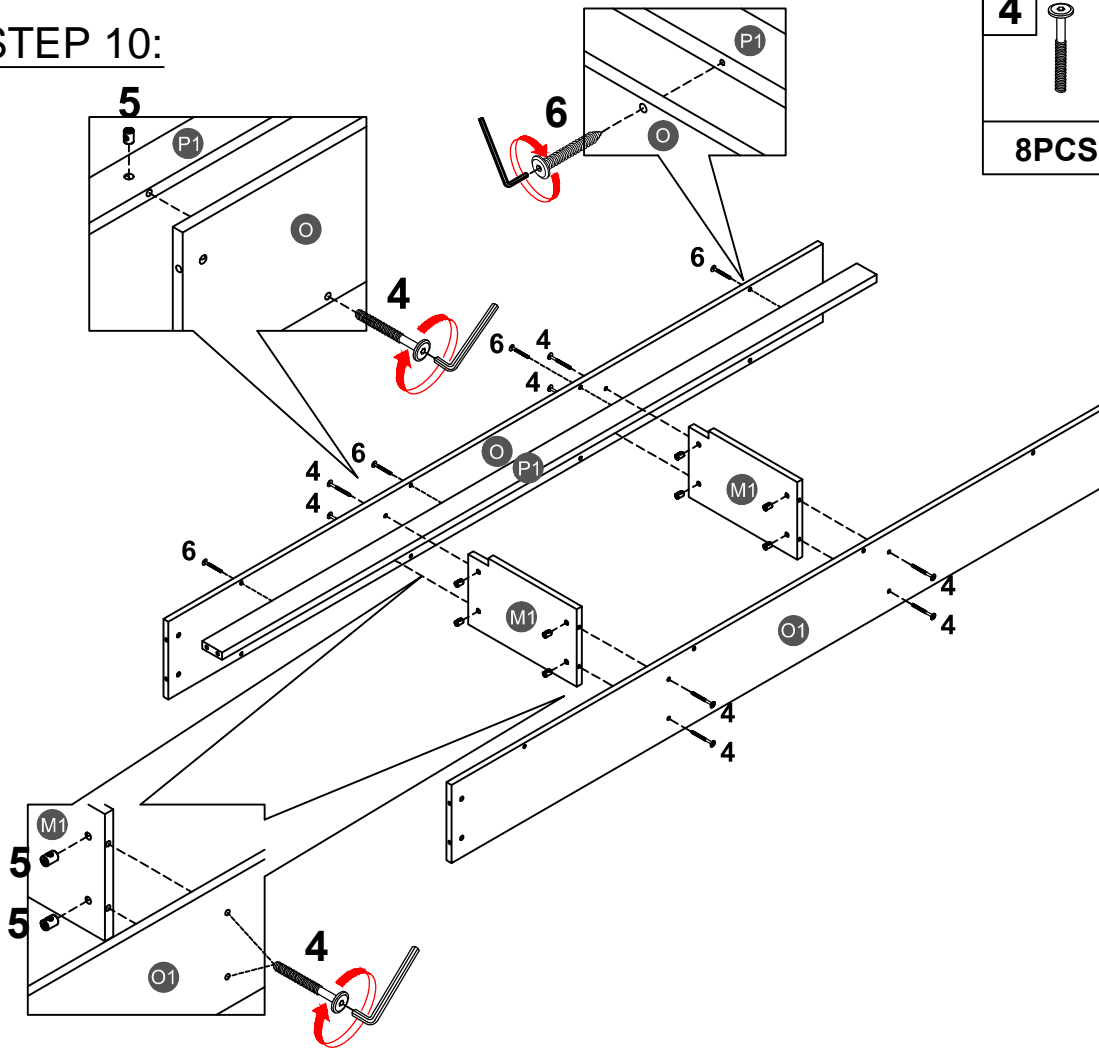
4	
3PCS	
5	
3PCS	




STEP 9:



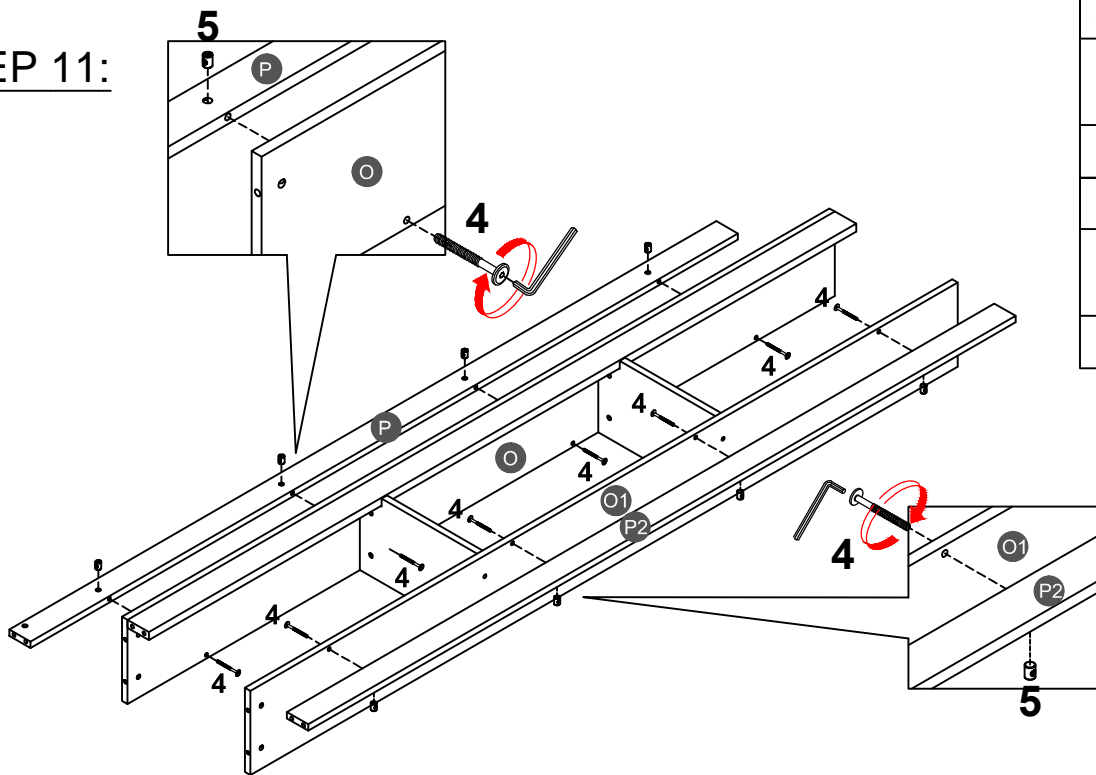
10	
16PCS	

STEP 10:



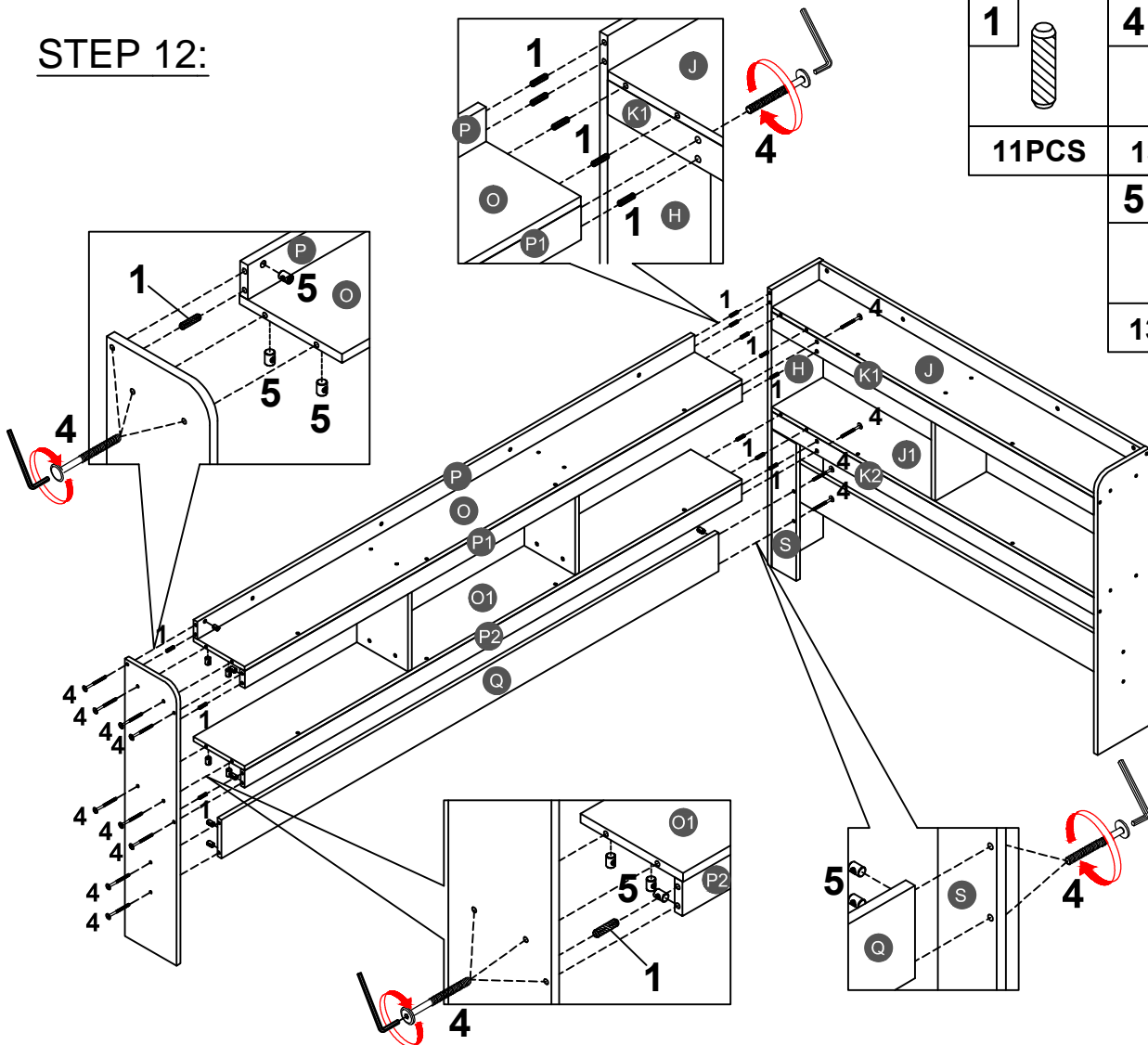
4		5	
8PCS		8PCS	
		6	
		4PCS	

STEP 11:



4	
8PCS	
5	
8PCS	

STEP 12:



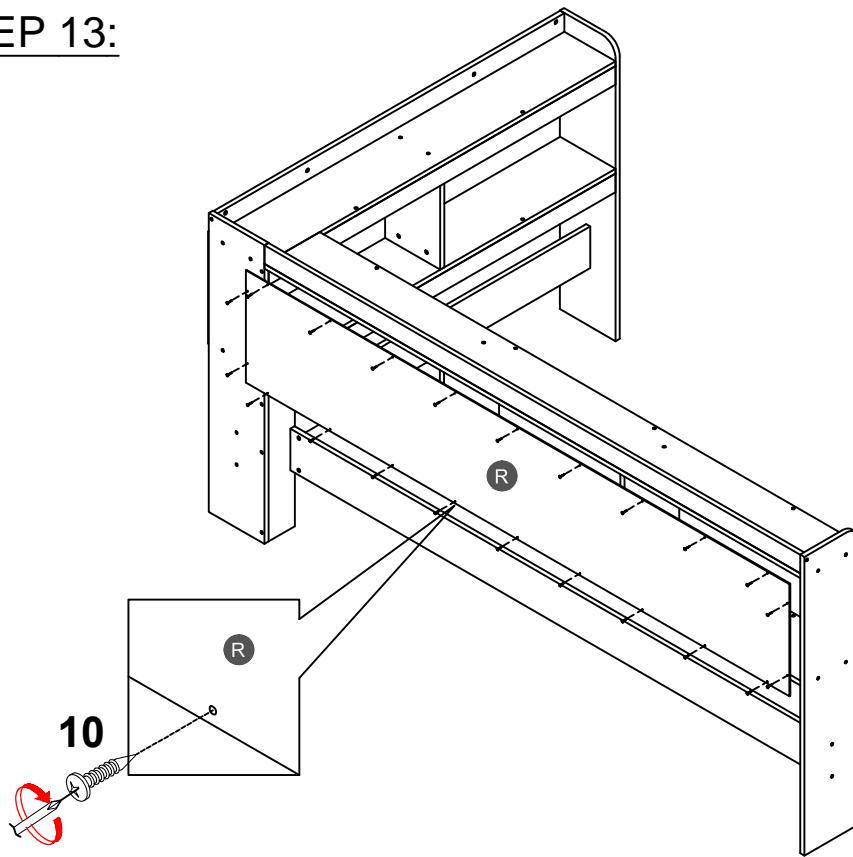
1		4	
11PCS		13PCS	
5		13PCS	

STEP 13:

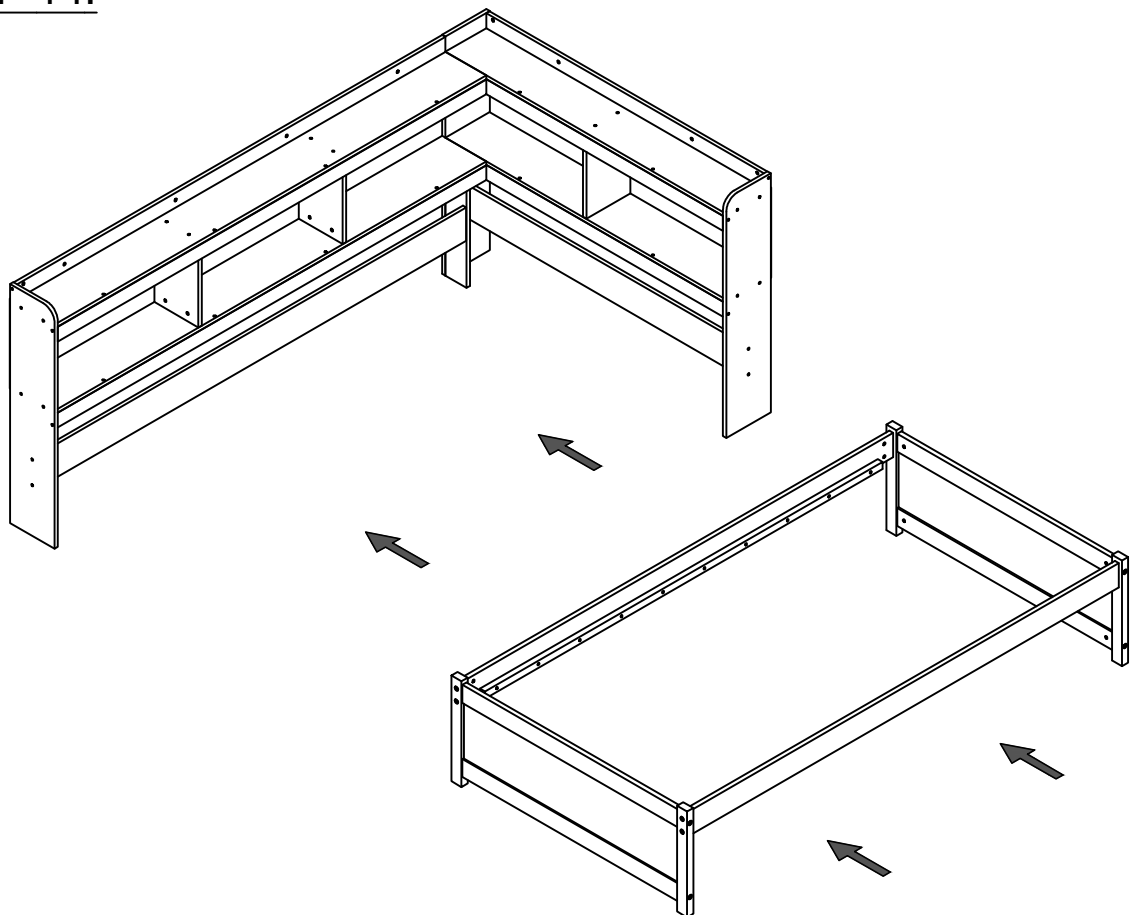
10



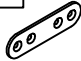

22PCS

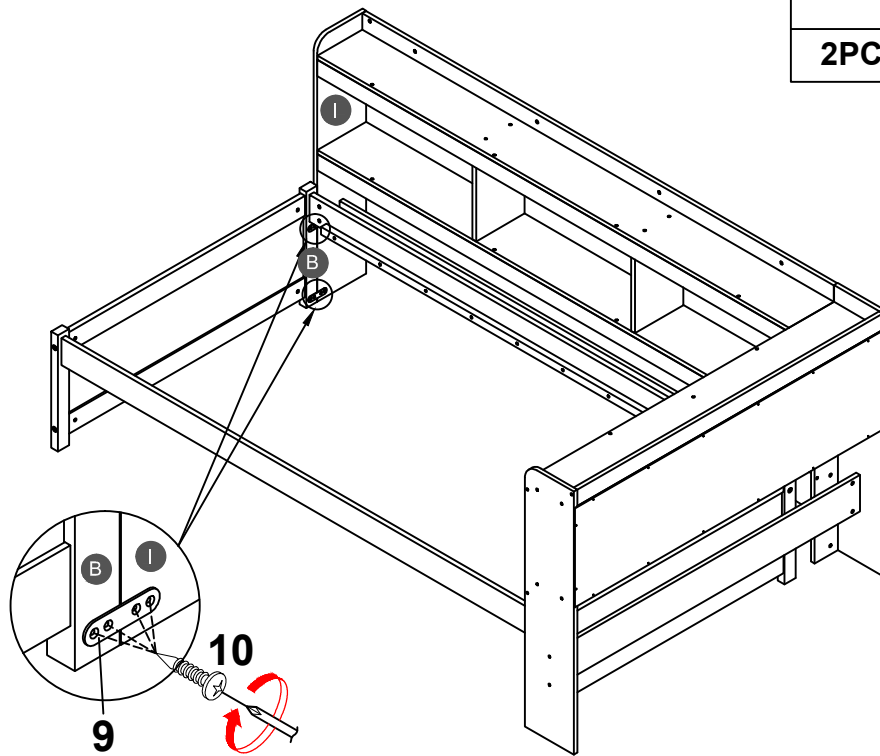


STEP 14:


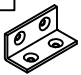


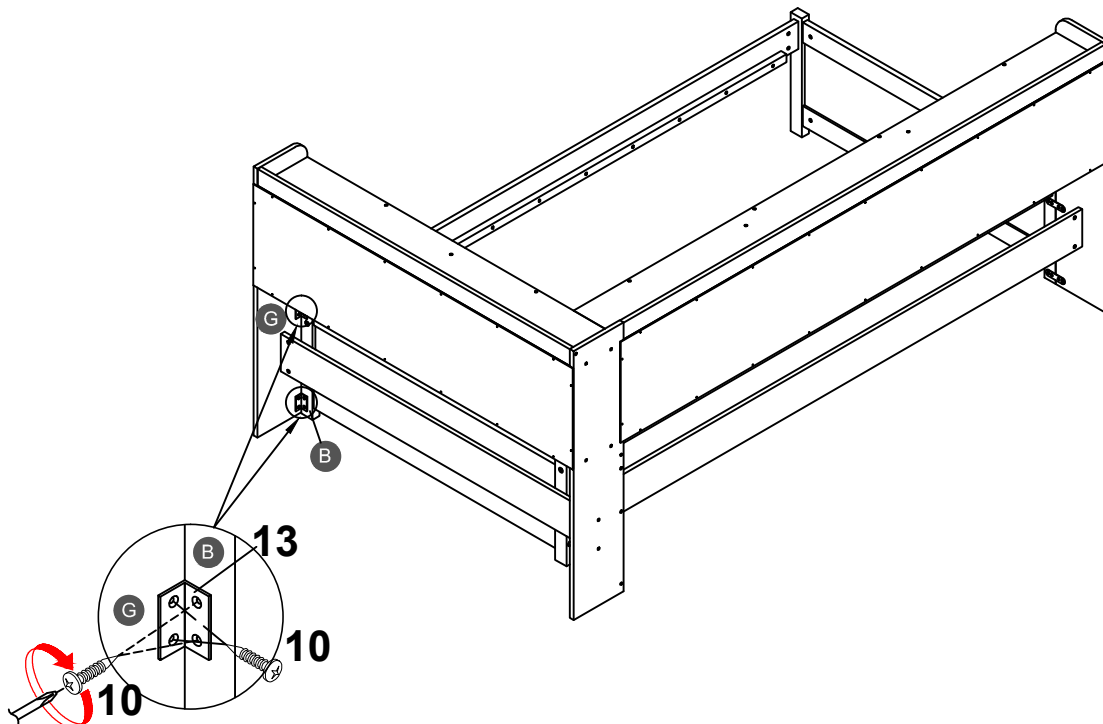
STEP 15:

9 	10 
2PCS	8PCS



STEP 16:

10 	13 
8PCS	2PCS

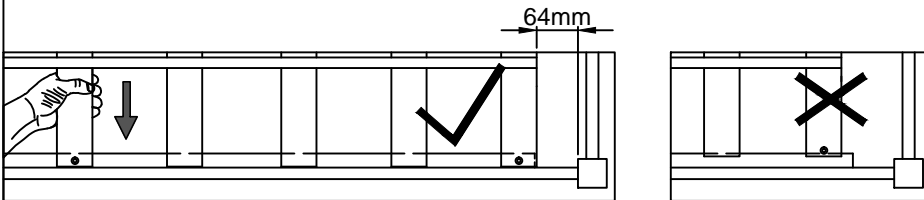
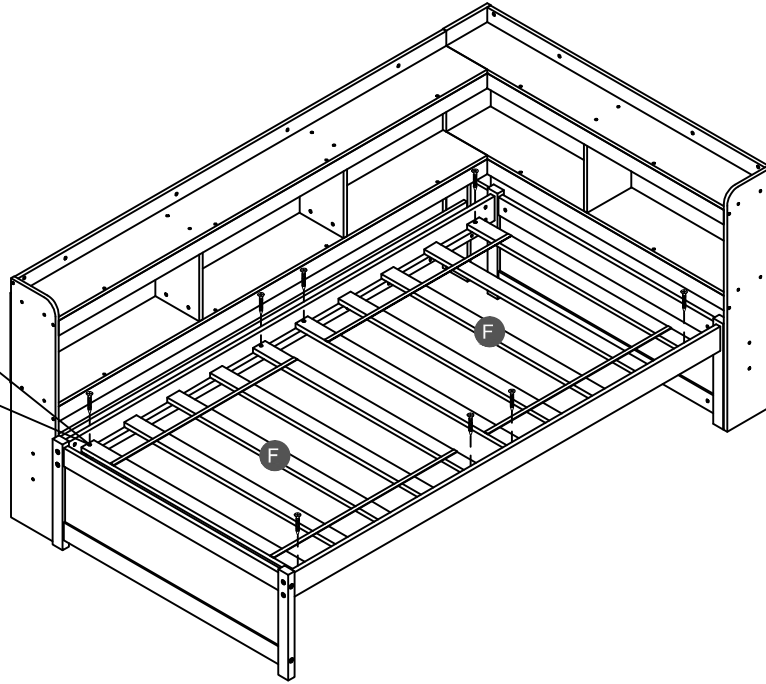
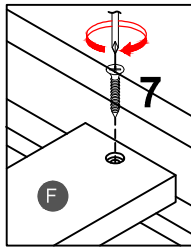


STEP 17:

7



8PCS



Note: Do not lock the screws of the bed slats to the outermost edge of the bed slats, you need to leave a certain space at the edges, otherwise it will cause the board to break. Do not lock the bed slats on the edge of the wood, please hold firmly before screwing , hold it in place with one hand, then lock the screw.

STEP 18:

1



8PCS

4

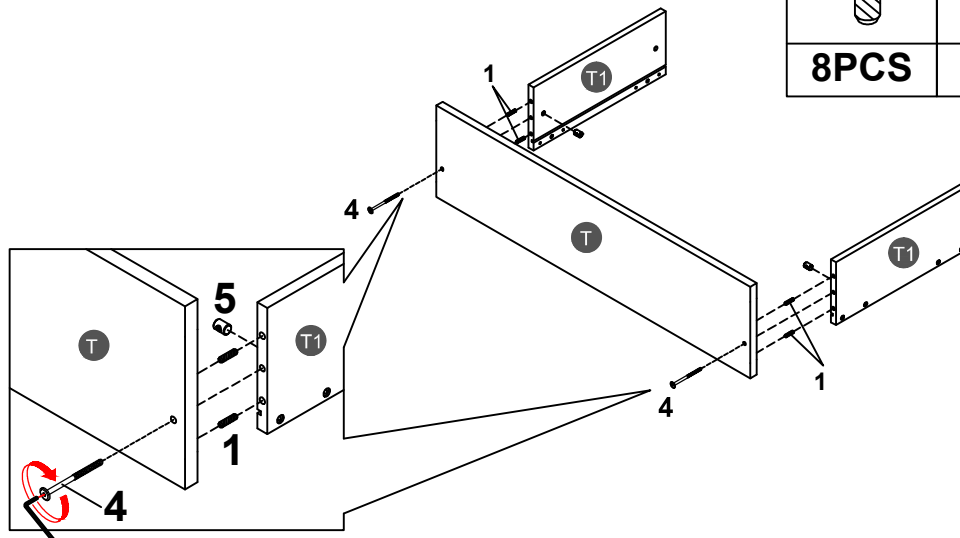


4PCS

5






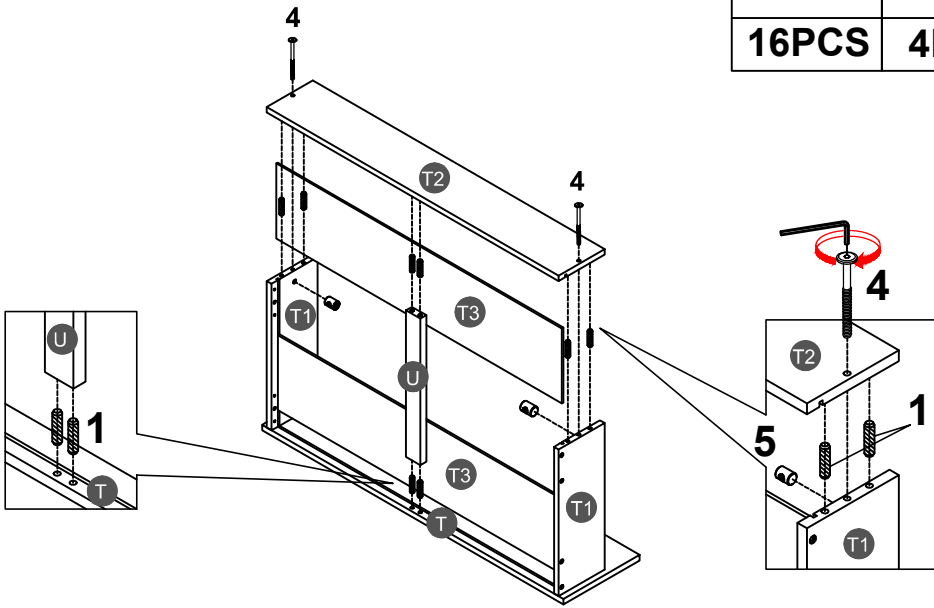
4PCS



2pcs



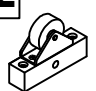
STEP 19:

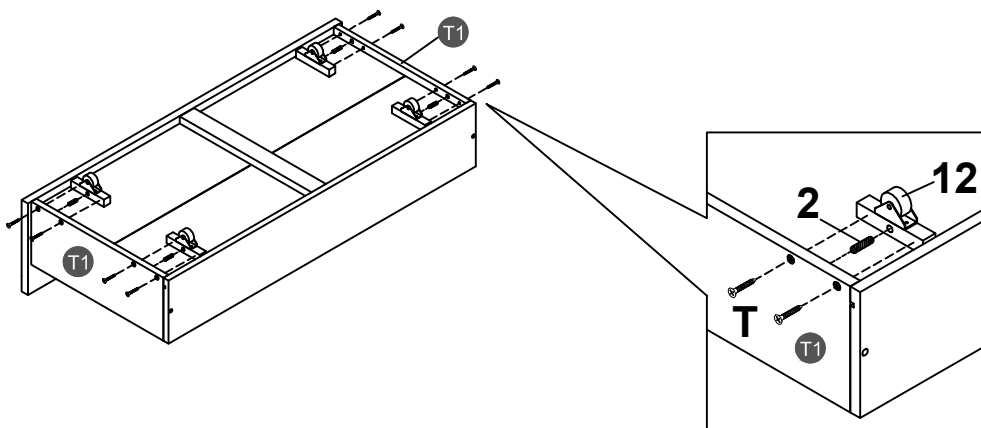
1 	4 	5 
16PCS	4PCS	4PCS



2pcs

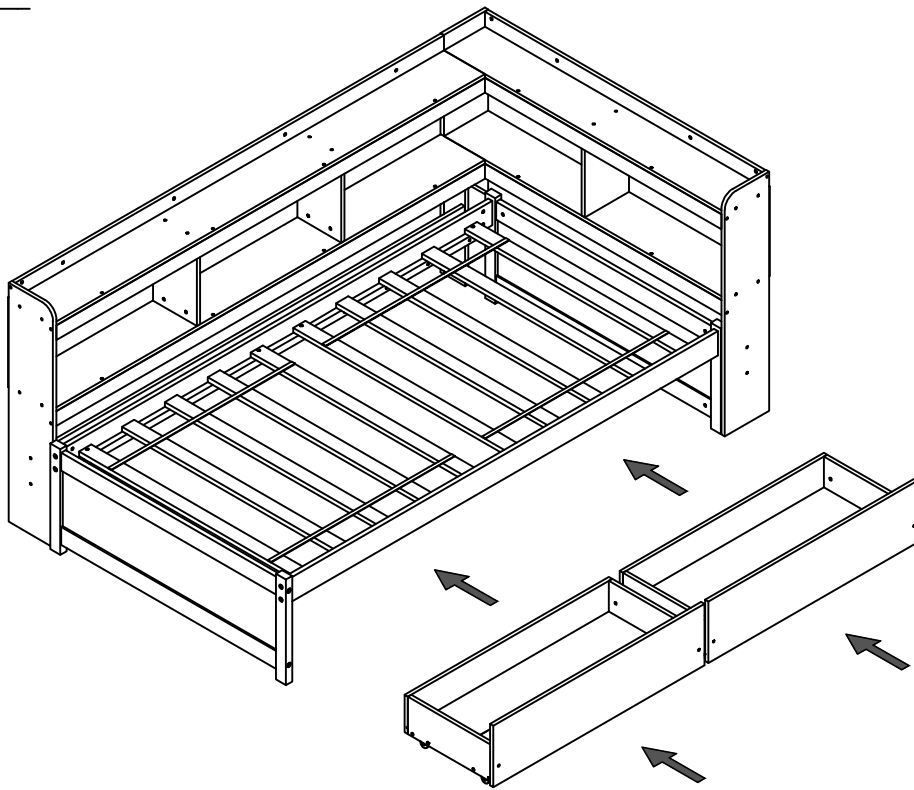
STEP 20:

2 	7 	12 
8PCS	16PCS	8PCS



2pcs

STEP 21:



Push Drawer under the bottom of Bunk Bed.

