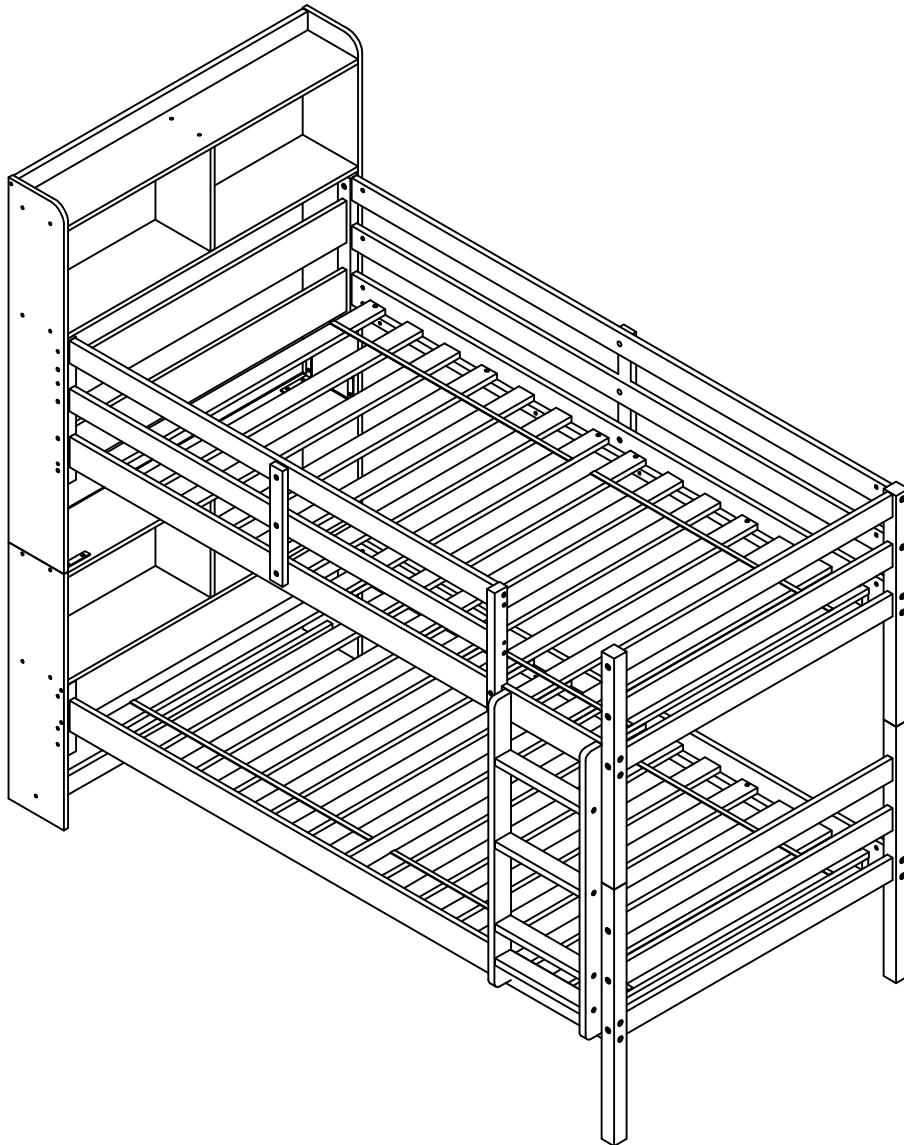


ASSEMBLY INSTRUCTIONS

TWIN/TWIN BUNK BED WITH BOOKCASE HEADBOARD



DN11747



SAFETY WARNING



1. This bed is designed for use only mattress (es) meeting the following specifications on the upper bunk, and lower bunk:

Down bed

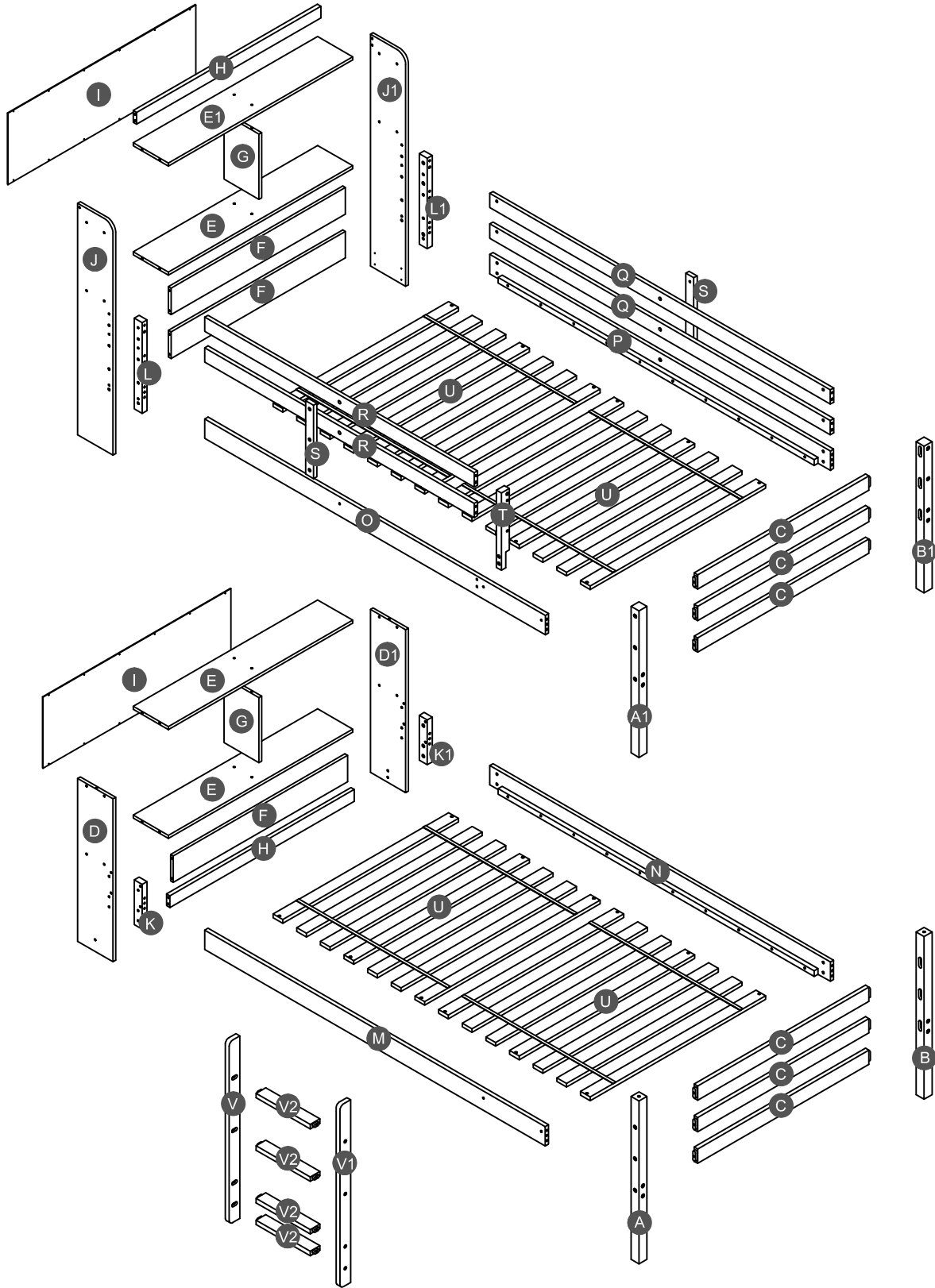
Bed type	Length	Width	Thickness
Twin Standard	74"-75"	38 1/2"	6" max

Up bed (Bunk bed and tribed included)

Bed type	Length	Width	Thickness
Twin Standard	74"-75"	38 1/2"	6" max

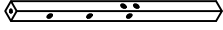
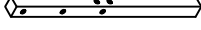
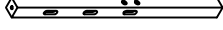


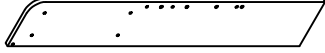

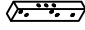
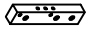
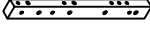
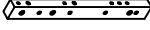
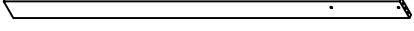
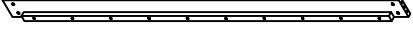
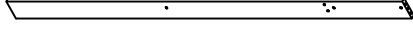

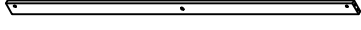
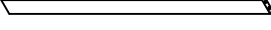
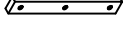

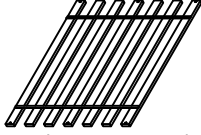
2. Replacement parts, including additional guardrails, maybe obtained from any of our INSPIRIT LIFE GLOBAL PTE. LTD. 18961 ARENTH AVENUE,CITY OF INDUSTRY, CA, 91748
3. Follow the information on the warnings appearing on the upper bunk bed end structure and on the carton. Do not remove warning label from bed.
4. Always use the recommended size mattresses or mattress supports, or both, to help prevent the likelihood of entrapment or falls.
5. Surface of mattress must be at least 5" (127mm) below the upper edge of guardrails.
6. Do not allow children under 6 years of age to use the upper bunk.
7. Periodically check and ensure that the guardrail, ladder, and other components are in their proper position, free from damage, and that all connectors are tight.
8. Do not allow horseplay on or under the bed and prohibit jumping on the bed.
9. Always use the ladder for entering and leaving the upper bunk.
10. Do not use substitute part. Contact the manufacture or dealer for replacement part.
11. Use of a night light may provide added safety precaution for a child using the upper bunk.
12. Always use guardrails on both long sides of the upper bunk. If the bunk bed will be placed next to the wall, the guardrail that runs the full length of the bed should be placed against the wall to prevent entrapment between the bed and wall.
13. The use of water or sleep flotation mattresses is prohibited.
14. STRANGULATION HAZARD - Never attach or hang items to any part of the bunk bed that are not designed for use with the bed; for example, but not limited to, hook, belts and jump ropes.
15. Keep these instruction for future reference.
16. Prohibit more than one person on upper bunk
17. We recommend assembling your bunk bed on the shipping carton to protect your floor or carpet.
18. Be certain all staples are out of the box before beginning assembly on the shipping carton.

Detail View



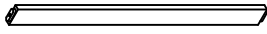




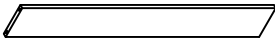
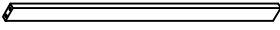

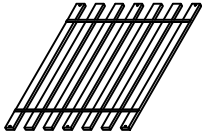
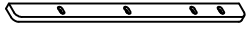

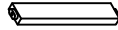
Part List

DN11747 (1-2)

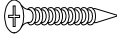


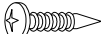
<p>A</p>  <p>Lower leg FB (Left) - 1pc</p>	<p>A1</p>  <p>Upper leg FB (Left) - 1pc</p>	<p>B</p>  <p>Lower leg FB (Right) - 1pc</p>
<p>B1</p>  <p>Upper leg FB (Right) - 1pc</p>	<p>G</p>  <p>Divider panel HB - 2pcs</p>	<p>J</p>  <p>Upper side panel HB (Left) - 1pc</p>
<p>J1</p>  <p>Upper side panel HB (Right) - 1pc</p>	<p>K</p>  <p>Lower vertical HB (Left) - 1pc</p>	<p>K1</p>  <p>Lower vertical HB (Right) - 1pc</p>
<p>L</p>  <p>Upper vertical HB (Left) - 1pc</p>	<p>L1</p>  <p>Upper vertical HB (Right) - 1pc</p>	<p>M</p>  <p>Lower side rail (Front) - 1pc</p>
<p>N</p>  <p>Lower side rail (Back) - 1pc</p>	<p>O</p>  <p>Upper side rail (Front) - 1pc</p>	<p>P</p>  <p>Upper side rail (Back) - 1pc</p>
<p>Q</p>  <p>Long guard rail - 2pcs</p>	<p>R</p>  <p>Short guard rail - 2pcs</p>	<p>S</p>  <p>Vertical guard rail - 2pcs</p>
<p>T</p>  <p>Support guard rail (Right) - 1pc</p>	<p>U</p>  <p>Slat - 2set (1set = 7pcs)</p>	

Part List

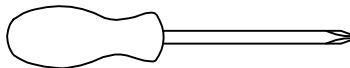
Hardware List DN11747 (2-2)

<p>C</p>  <p>Horizontal bar FB - 6pcs</p>	<p>D</p>  <p>Lower side panel HB (Left) - 1pc</p>	<p>D1</p>  <p>Lower side panel HB (Right) - 1pc</p>
<p>E</p>  <p>Shelf panel HB - 3pcs</p>	<p>E1</p>  <p>Top panel HB - 1pc</p>	<p>F</p>  <p>Support horizontal bar HB - 3pcs</p>
<p>H</p>  <p>Horizontal bar HB - 2pcs</p>	<p>I</p>  <p>Back panel HB - 2pcs</p>	<p>U</p>  <p>Slat - 2set (1set = 7pcs)</p>
<p>V</p>  <p>Ladder (left) - 1pc</p>	<p>V1</p>  <p>Ladder (right) - 1pc</p>	<p>V2</p>  <p>Step ladder - 4pcs</p>

Hardware List DN11747 (2-2)

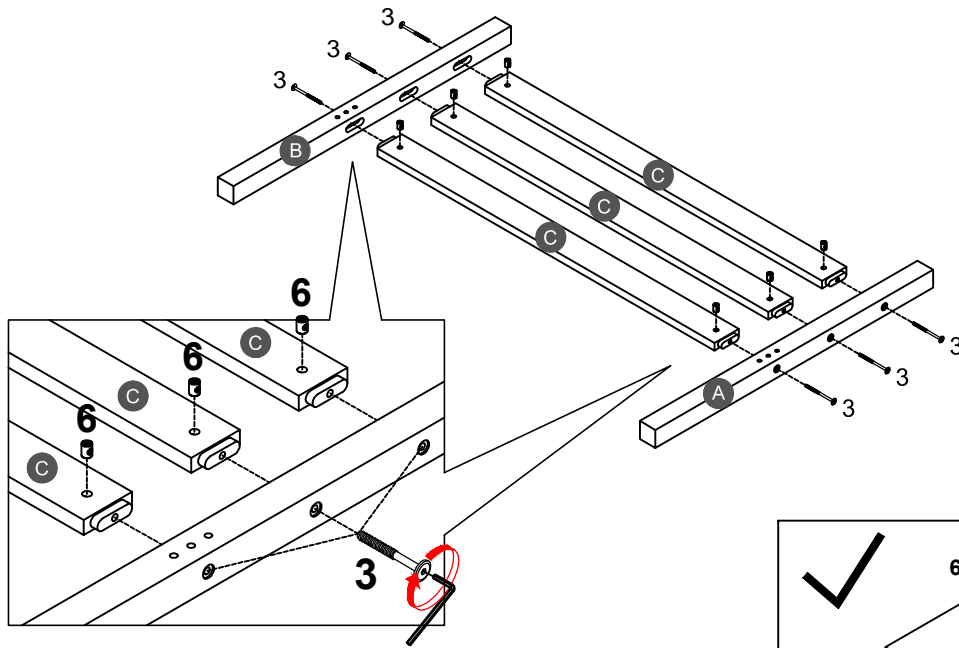
1	 Ø8*30mm Wood dowel (14pcs)	2	 (Ø15)1/4"*100mm Hex-Head bolts (22pcs)	3	 (Ø15)1/4"*80mm Hex-Head bolts (26pcs)
4	 (Ø12)1/4"*60mm Hex-Head bolts (38pcs)	5	 Ø4*30mm Wood screws (24pcs)	6	 1/4"*15 (9.5mm) Horizontal-Hole bolts (86pcs)
7	 (Ø12)1/4"*40mm Hex-Head bolts (16pcs)	8	 (Ø12)1/4"*35mm Hex-Head bolts (2pcs)	9	 (Ø12)1/4"*30mm Hex-Head bolts (6pcs)
10	 Ø9*90mm Metal connector (2pcs)	11	 (1/4")4.5*58mm Allen key (1pc)	12	 95*95*18*3mm Metal bracket (4pcs)
13	 Ø3.5*12 mm Wood screws (20pcs)	14	 Ø3.5*15mm Wood screws (24pcs)	15	 Ø10*40mm Wood dowel (8pcs)
16	 40*17*17*1.6mm Metal bracket (1pc)	17	 300*5mm Cable tie (2pcs)	18	 26*13*1.2mm Metal bracket (4pcs)
19	 Ø4*38mm Wood screws (2pcs)	20	 Ø3.5*19mm Wood screws (2pcs)	21	 Ø9*32mm Plastic anchor (2pcs)



ASSEMBLY TOOLS REQUIRED (NOT INCLUDED)



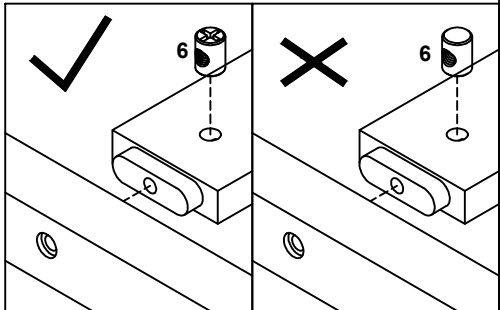
PLEASE BE CAREFUL DO NOT DAMAGE THE HOLE POSITION WHEN YOU USE POWER TOOLS !

STEP 1:

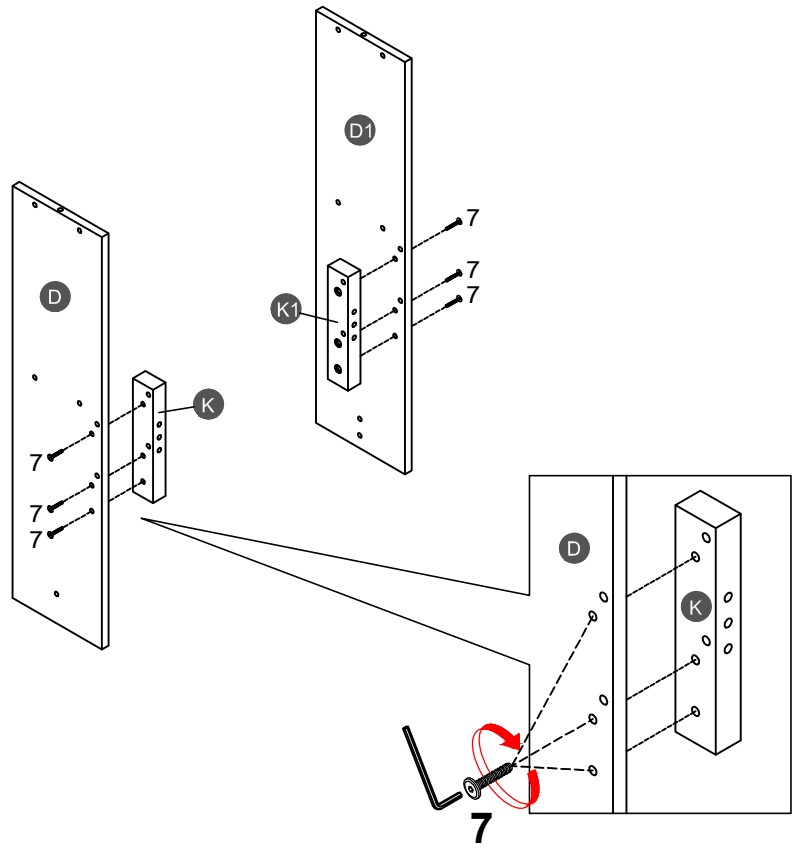



3		6	
6PCS		6PCS	

Note: Part 6 will face up with the "x" mark on it, otherwise it cannot be tightened





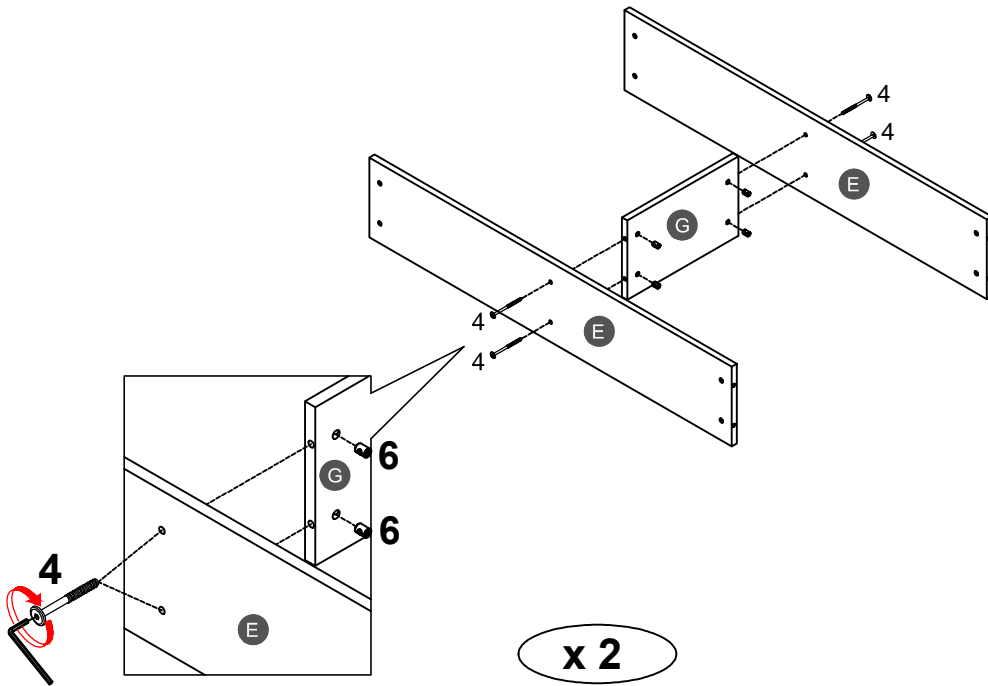
STEP 2:







7	
6PCS	

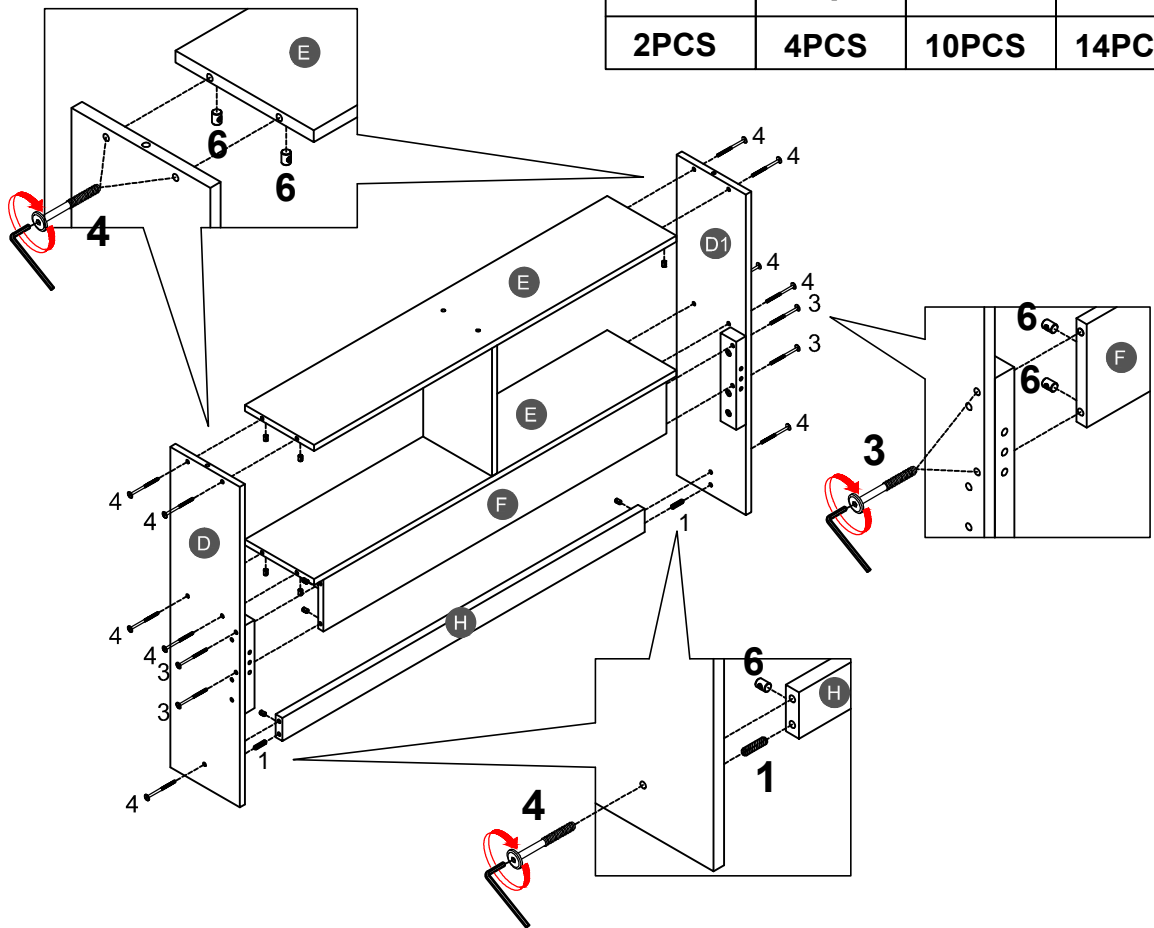
STEP 3:

4		6	
8PCS		8PCS	





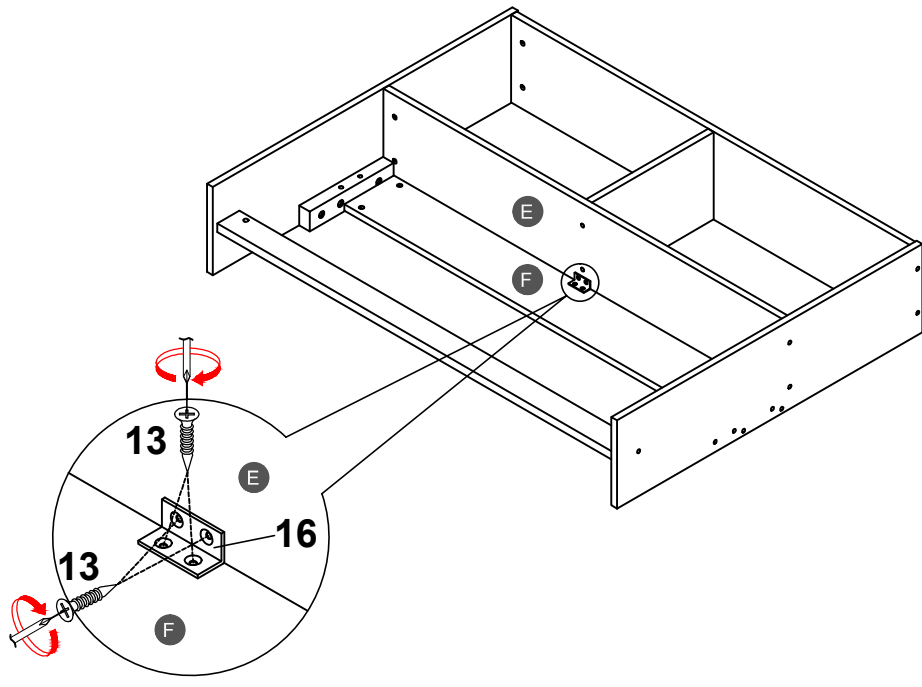
STEP 4:

1		3		4		6	
2PCS		4PCS		10PCS		14PCS	




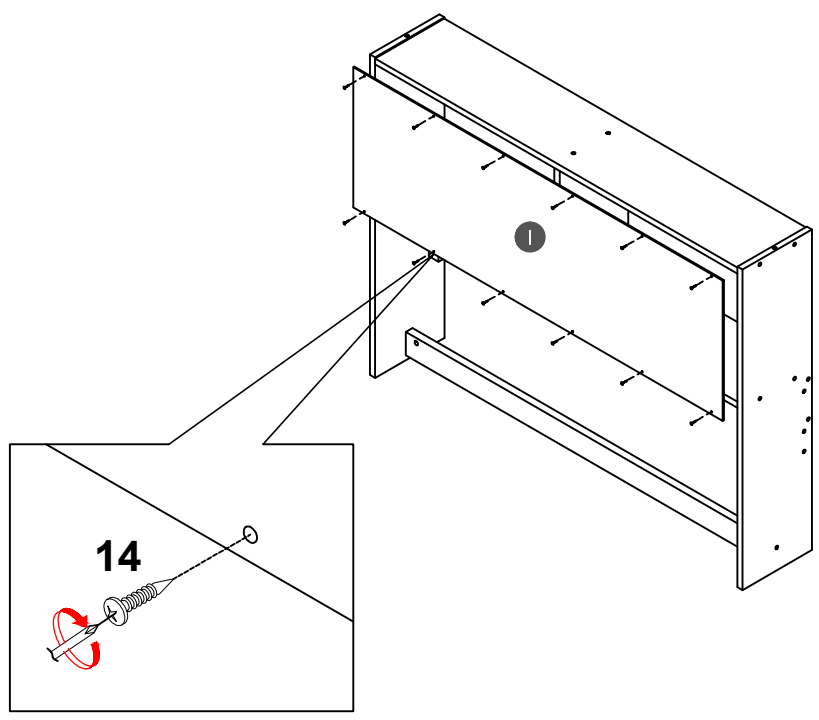
STEP 5:

13 	16 
4PCS	1PC

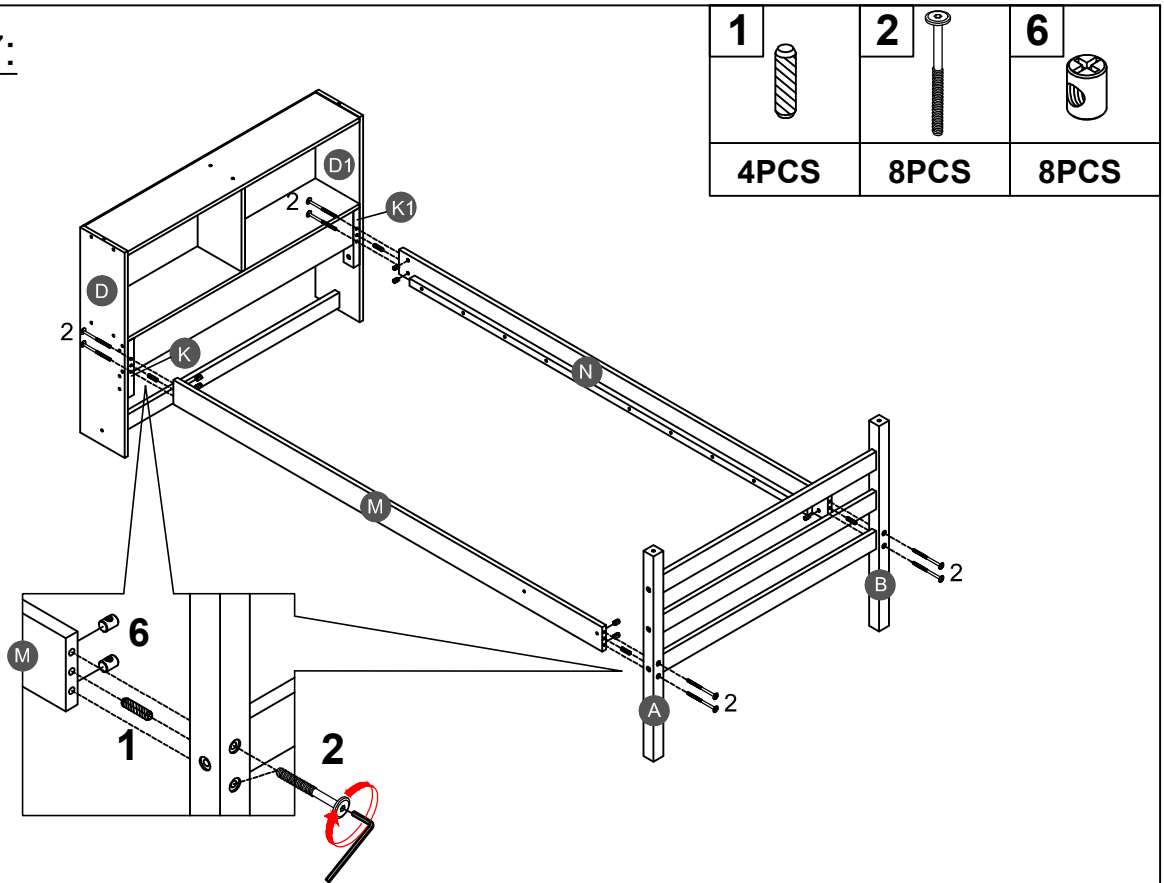


STEP 6:

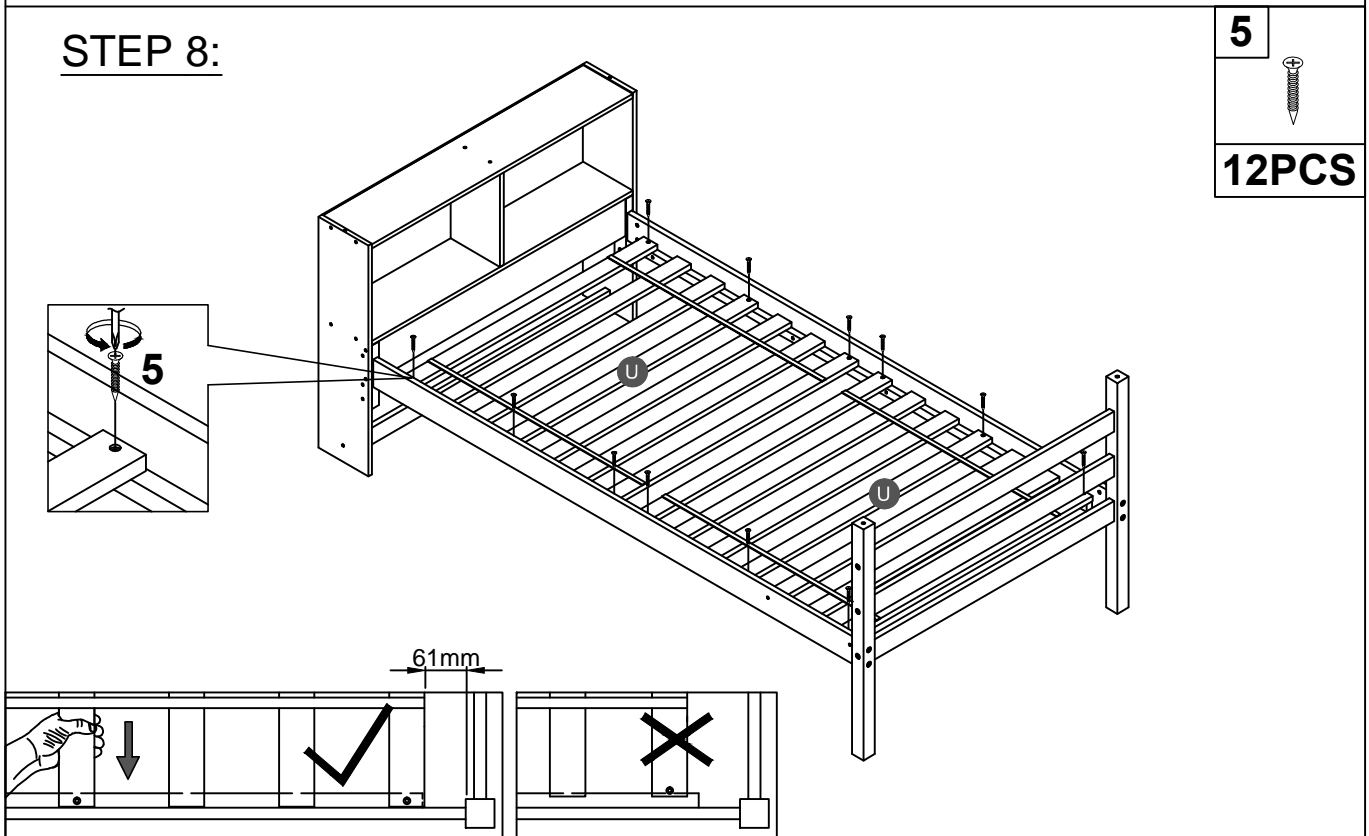
14 
12PCS



STEP 7:

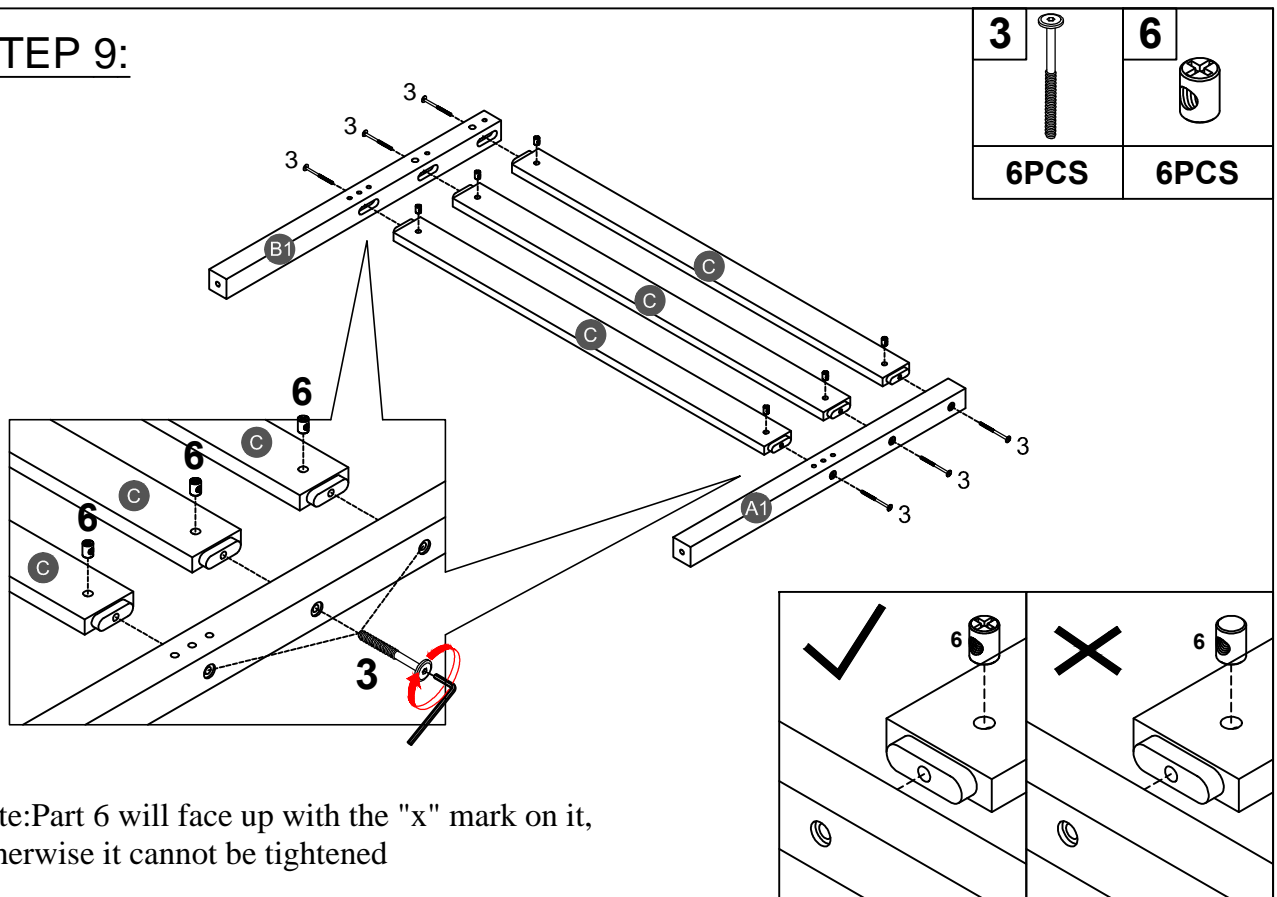


STEP 8:



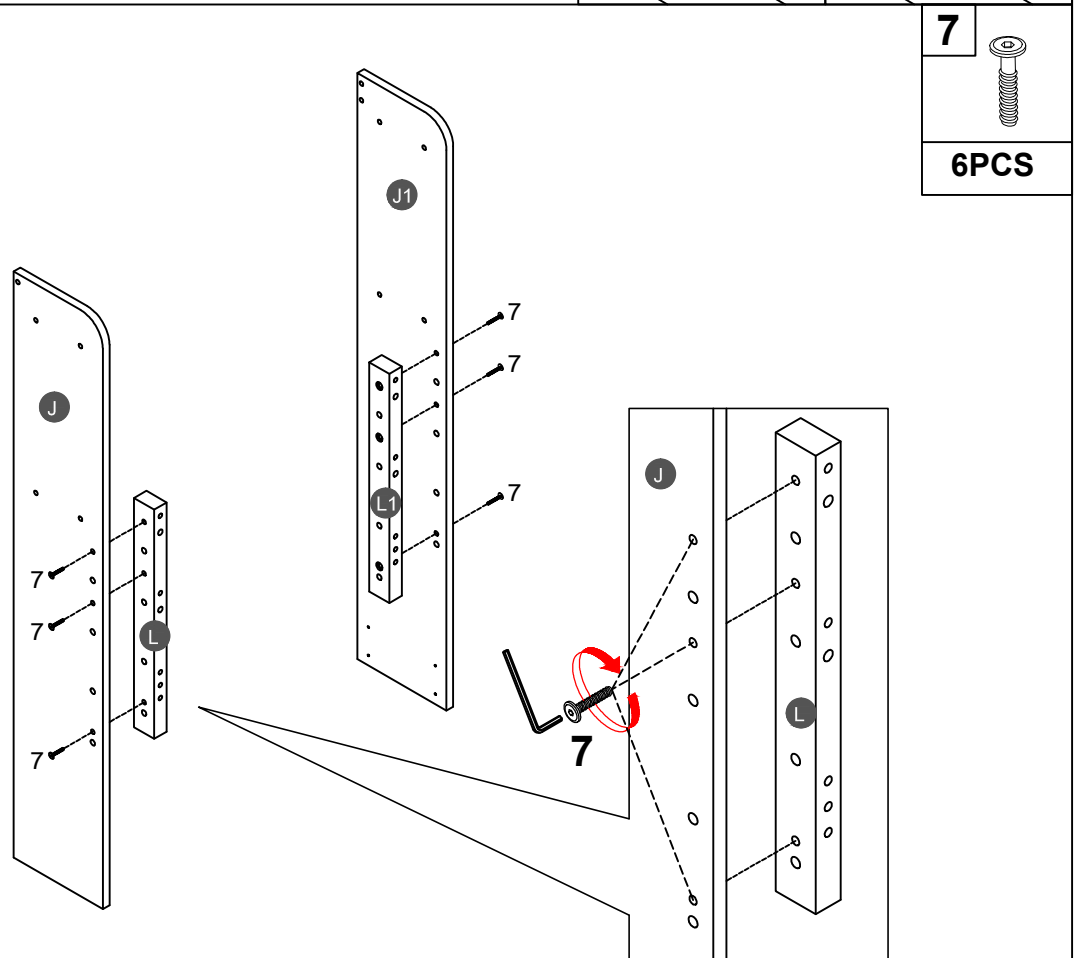
Note: Do not lock the screws of the bed slats to the outermost edge of the bed slats, you need to leave a certain space at the edges, otherwise it will cause the board to break.
Do not lock the bed slats on the edge of the wood, please hold firmly before screwing, hold it in place with one hand, then lock the screw.

STEP 9:

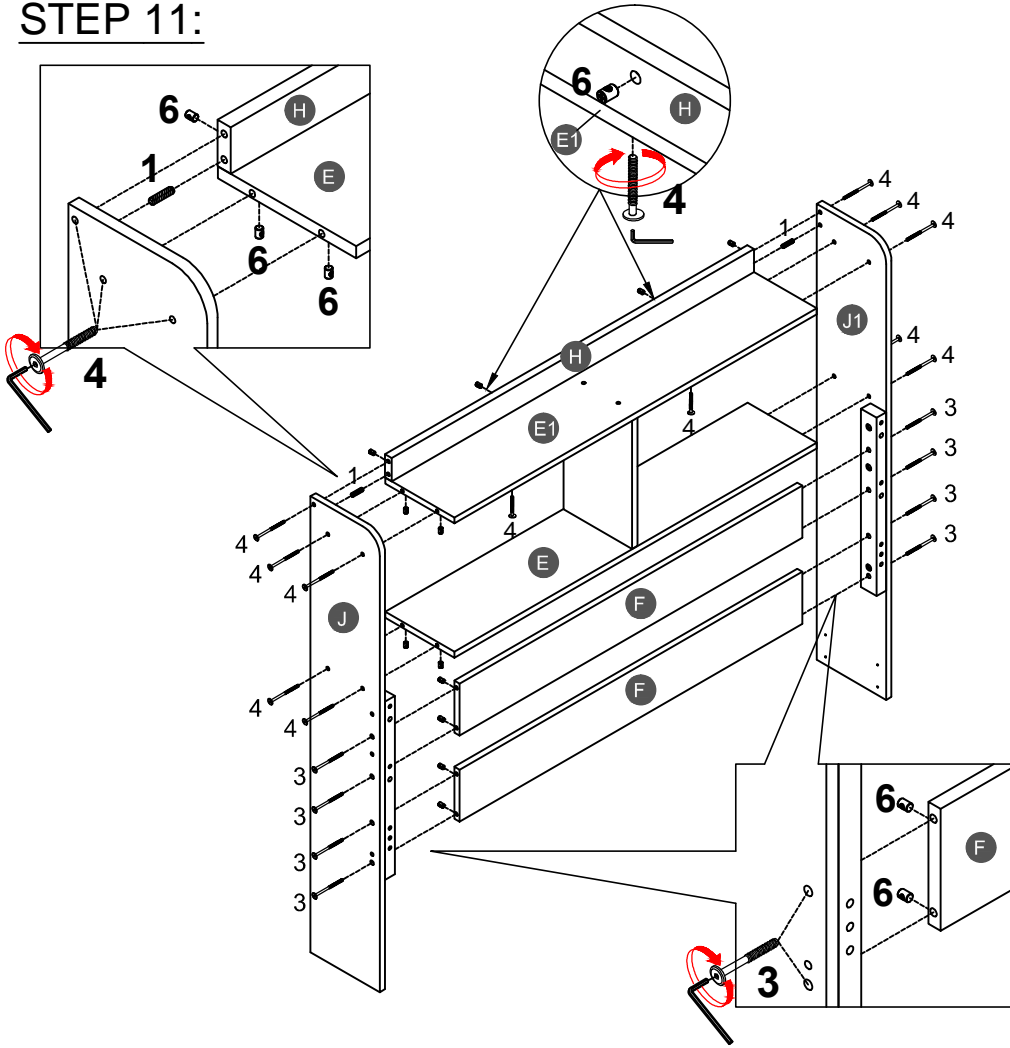






Note: Part 6 will face up with the "x" mark on it, otherwise it cannot be tightened

STEP 10:

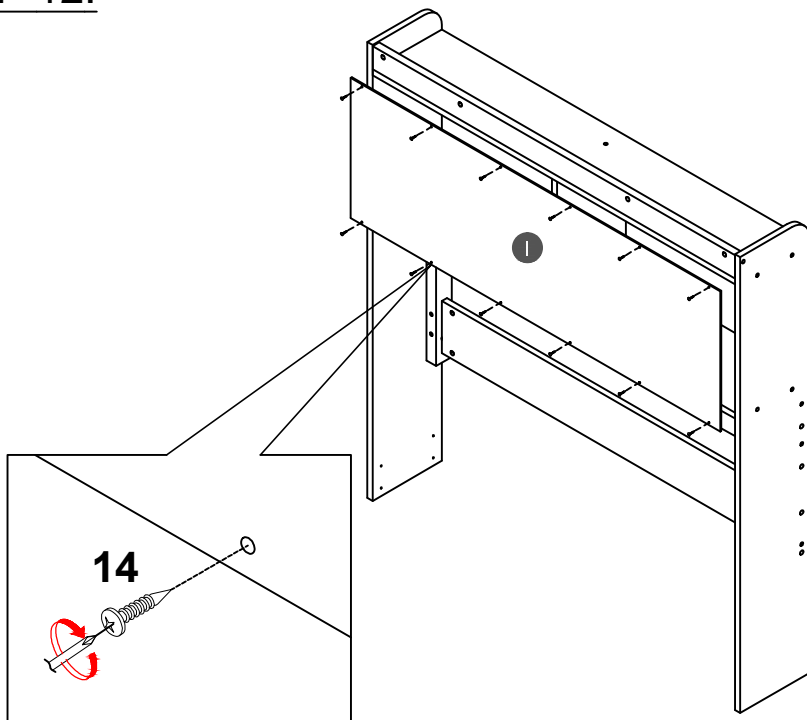



STEP 11:







1		3	
2PCS		8PCS	
		4	
12PCS			
6			
20PCS			

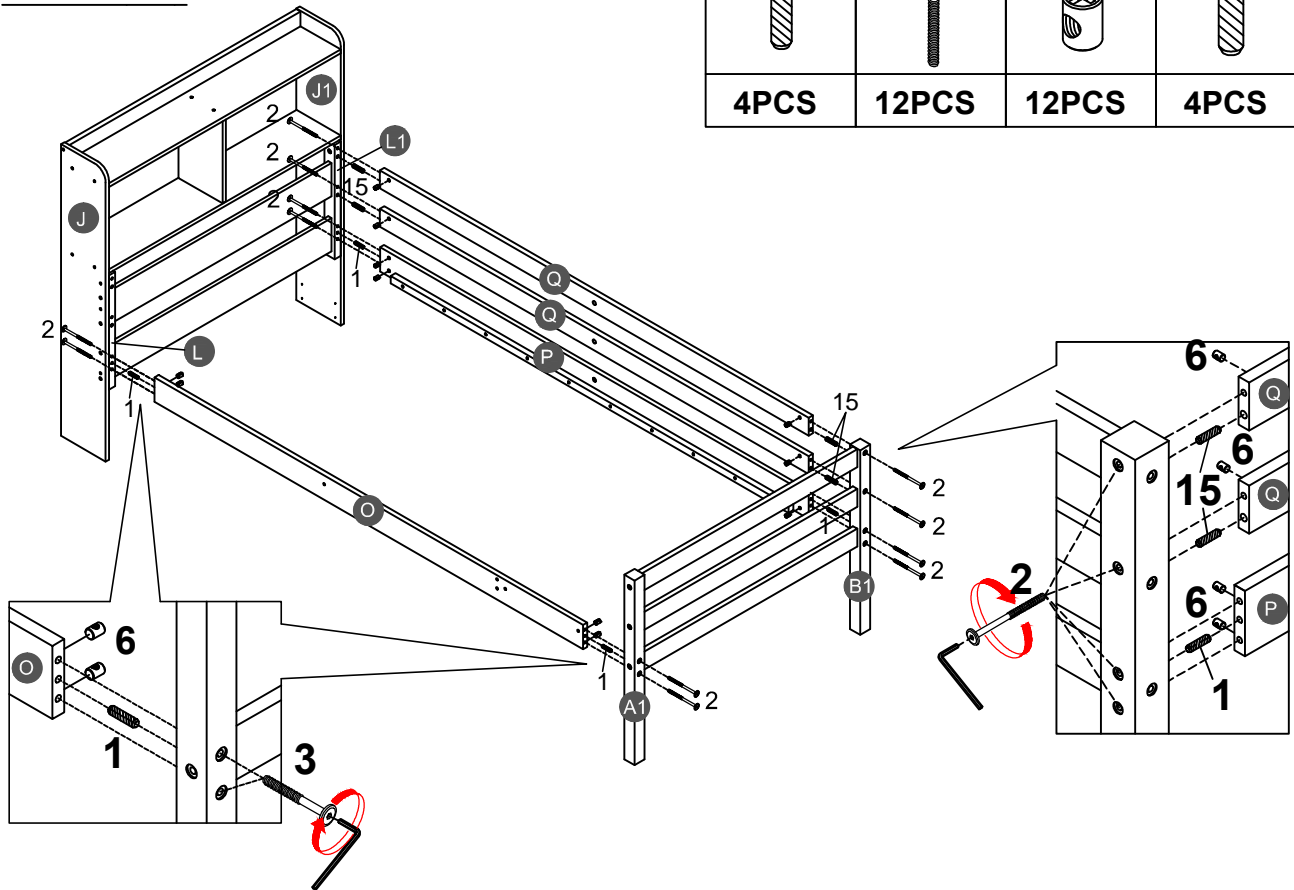
STEP 12:




14	
12PCS	

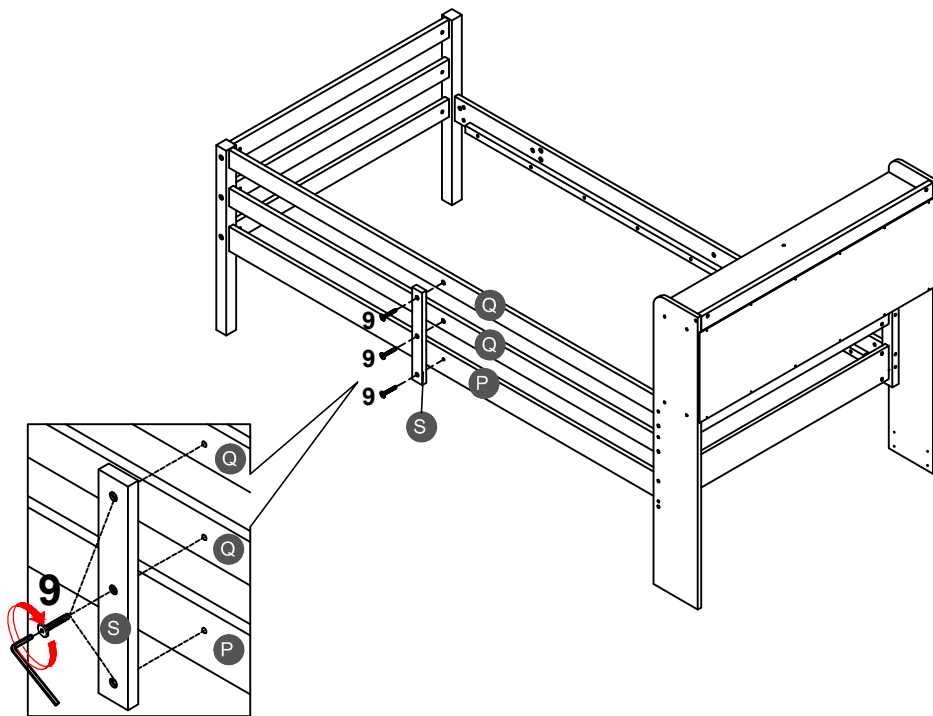
STEP 13:

1		2		6		15	
4PCS		12PCS		12PCS		4PCS	








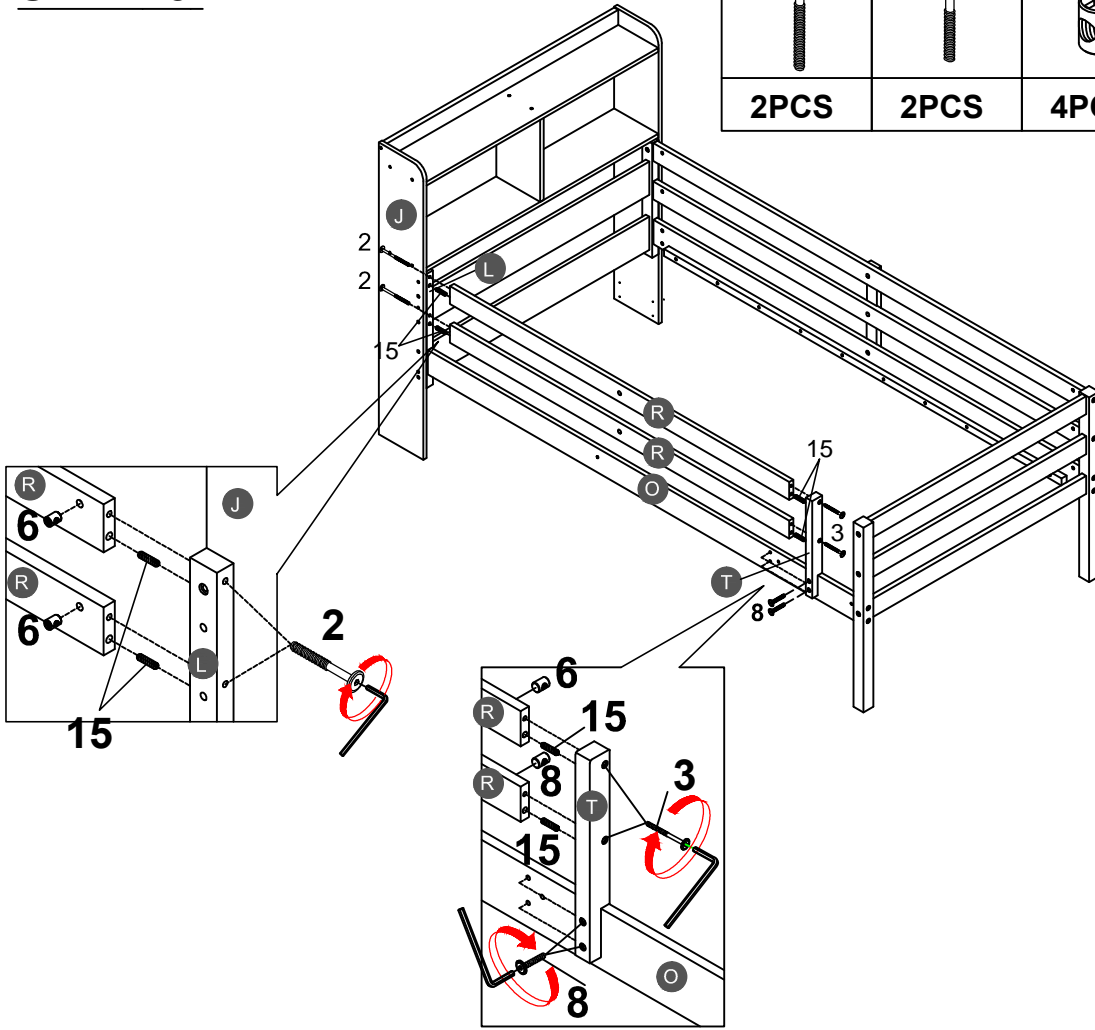
STEP 14:

9	
3PCS	




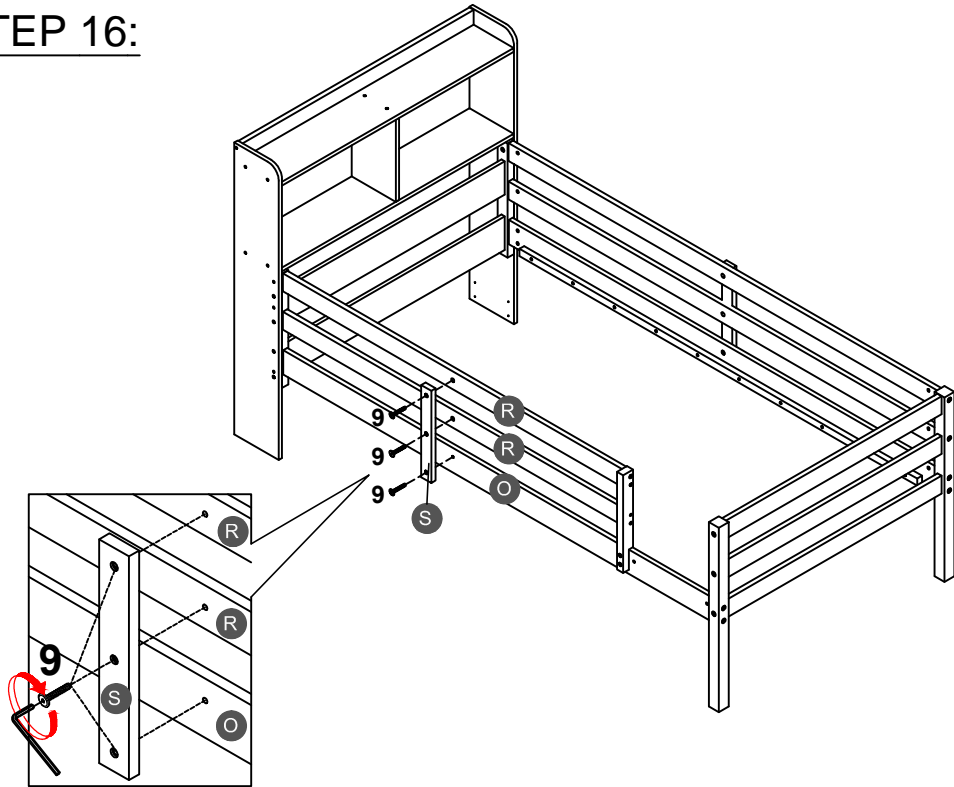
STEP 15:

2		3		6		8		
2PCS		2PCS		4PCS		2PCS		
							15	
							4PCS	



STEP 16:

9	
3PCS	

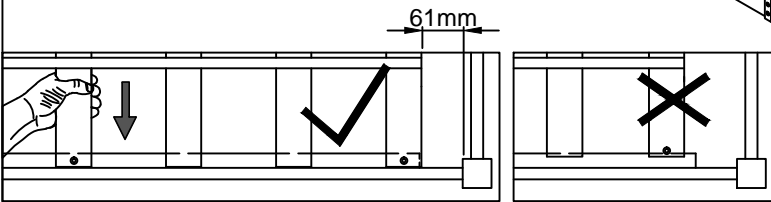
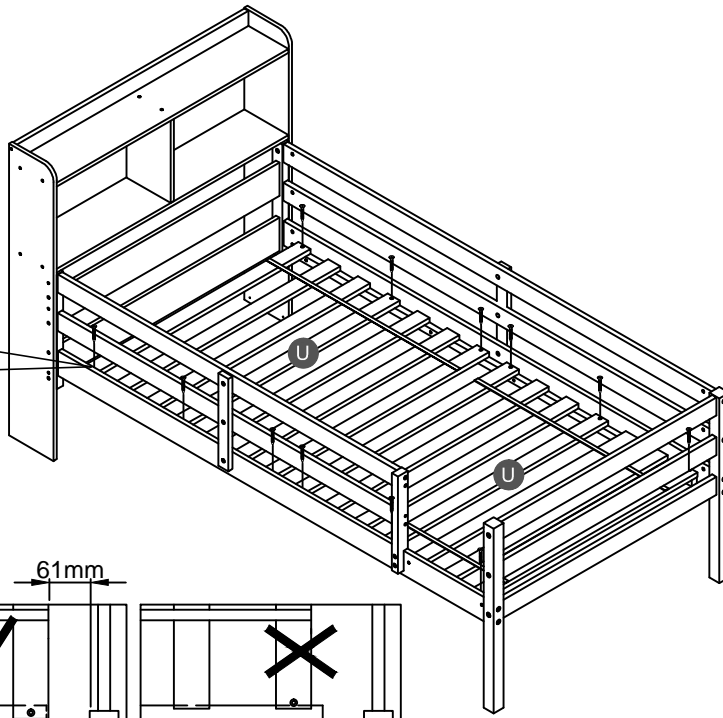
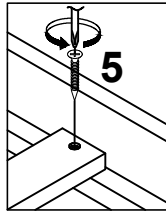


STEP 17:

5



12PCS



Note: Do not lock the screws of the bed slats to the outermost edge of the bed slats, you need to leave a certain space at the edges, otherwise it will cause the board to break. Do not lock the bed slats on the edge of the wood, please hold firmly before screwing, hold it in place with one hand, then lock the screw.

STEP 18:

1

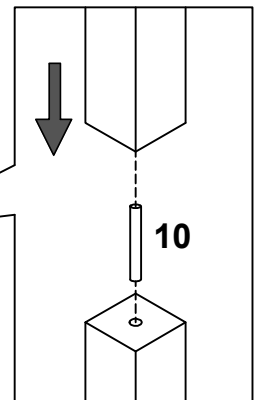
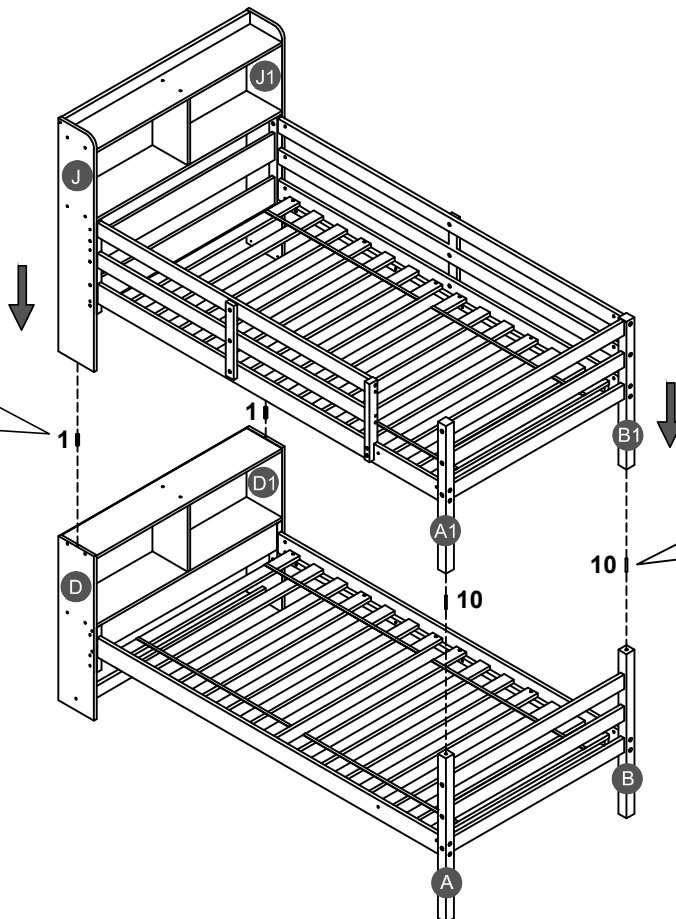
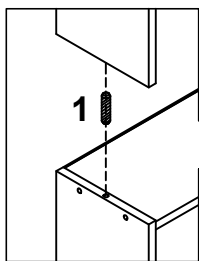


2PCS



10

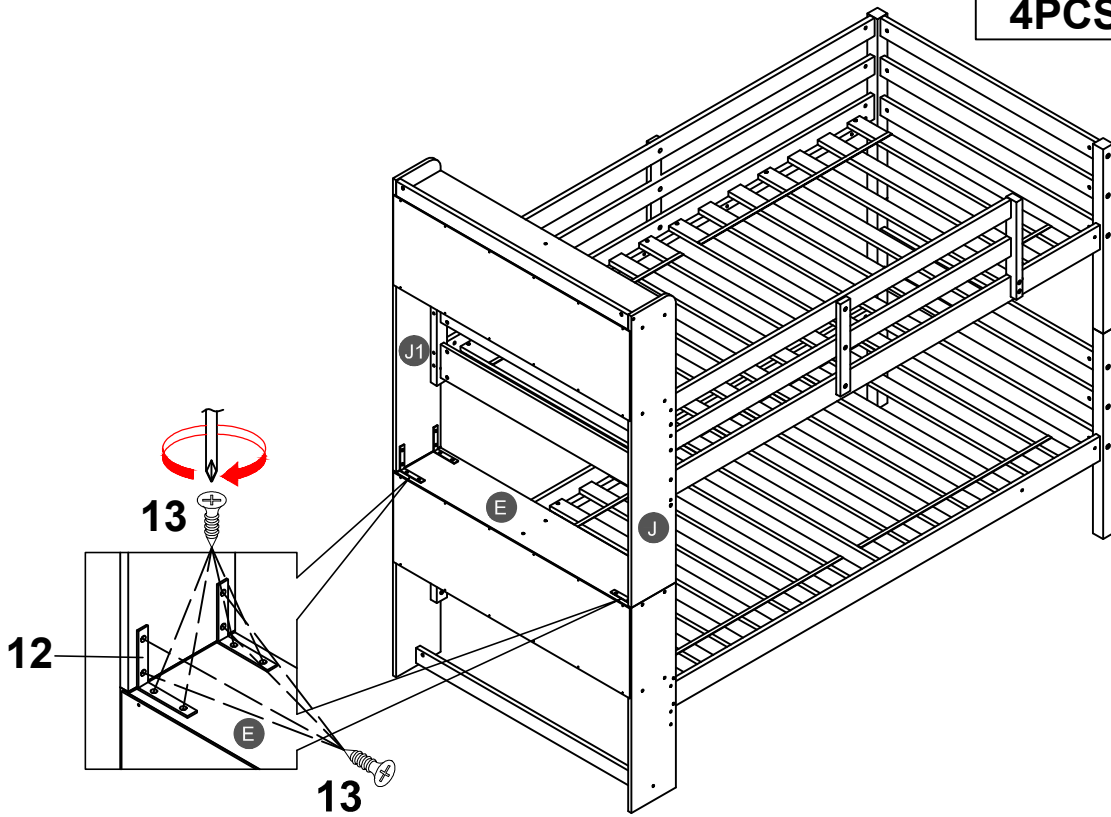


2PCS





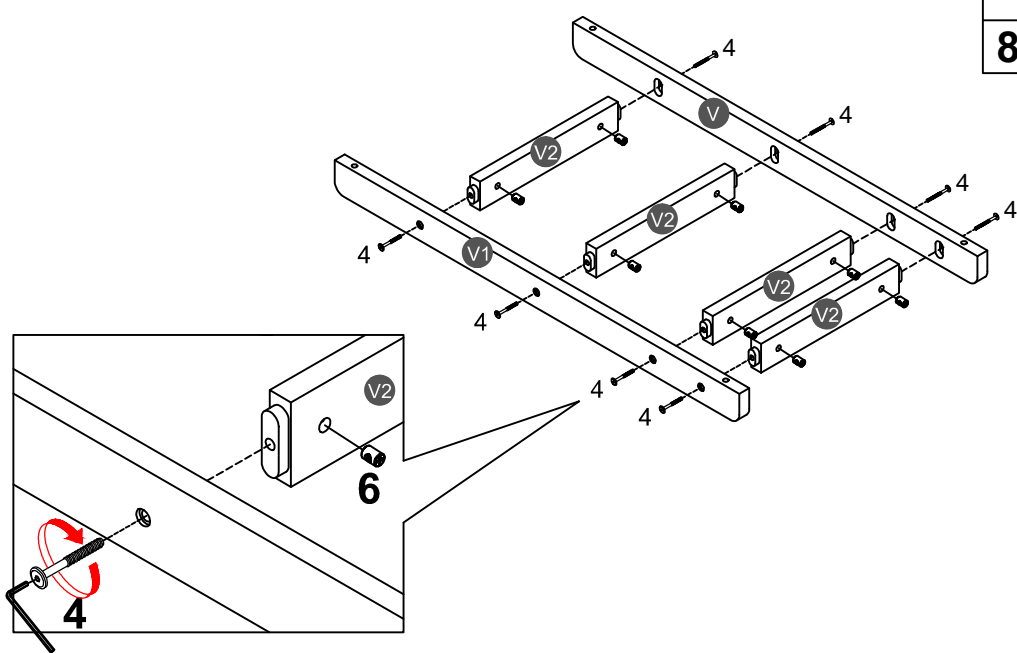
STEP 19:

12	13
	
4PCS	16PCS



STEP 20:

4	6
	
8PCS	8PCS

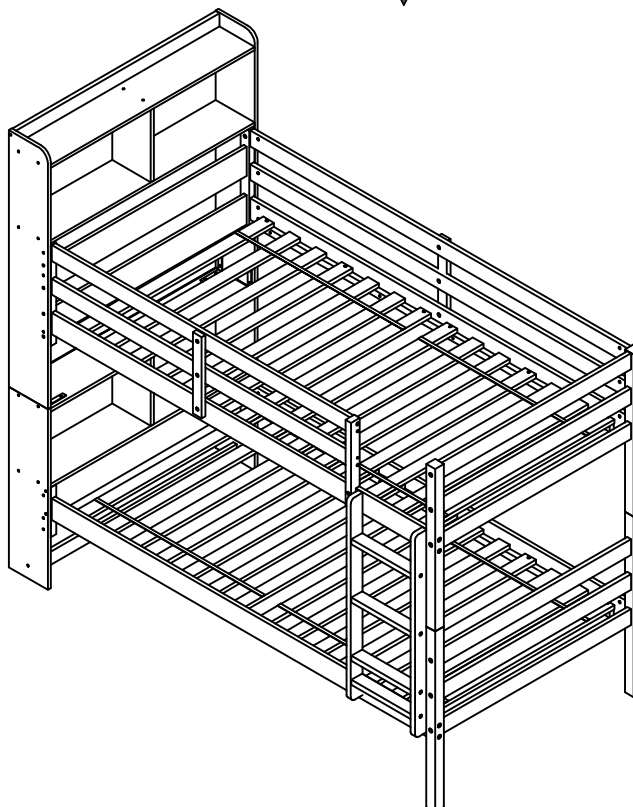
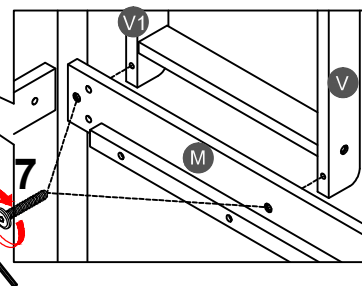
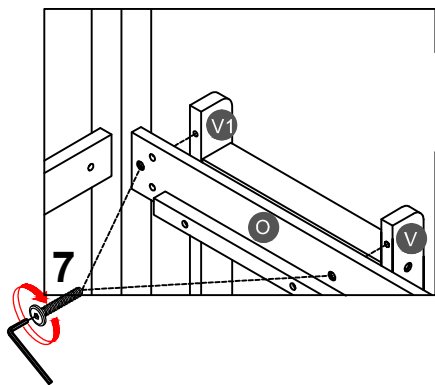
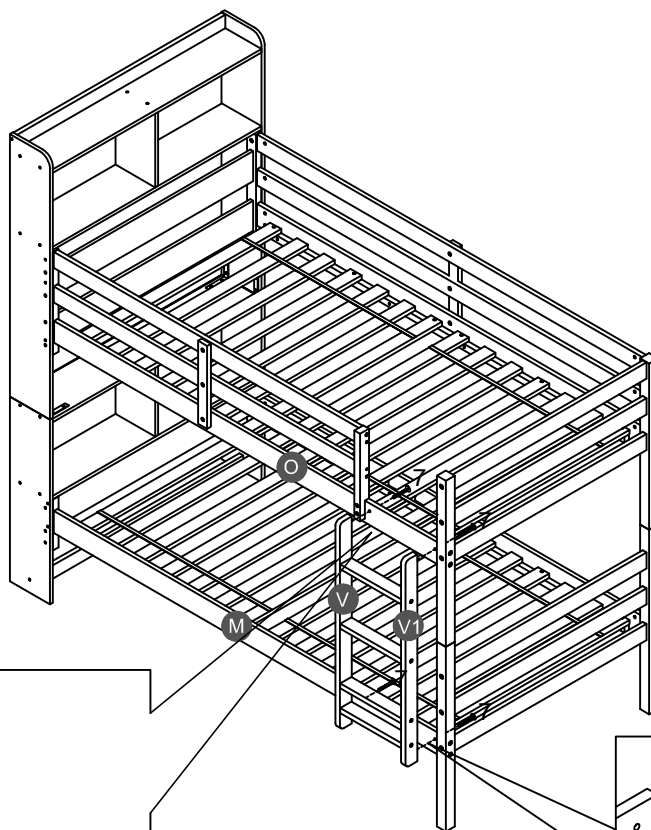


STEP 21:

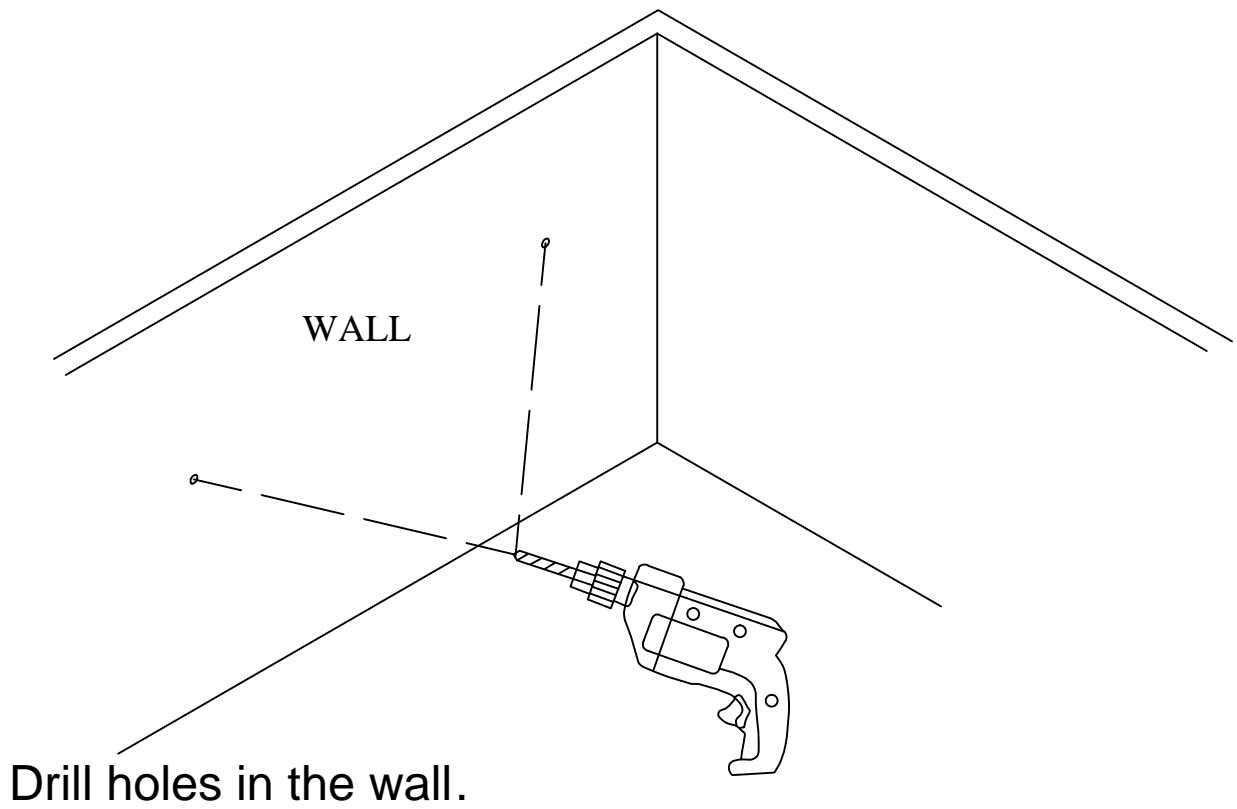
7



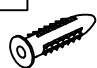
4PCS

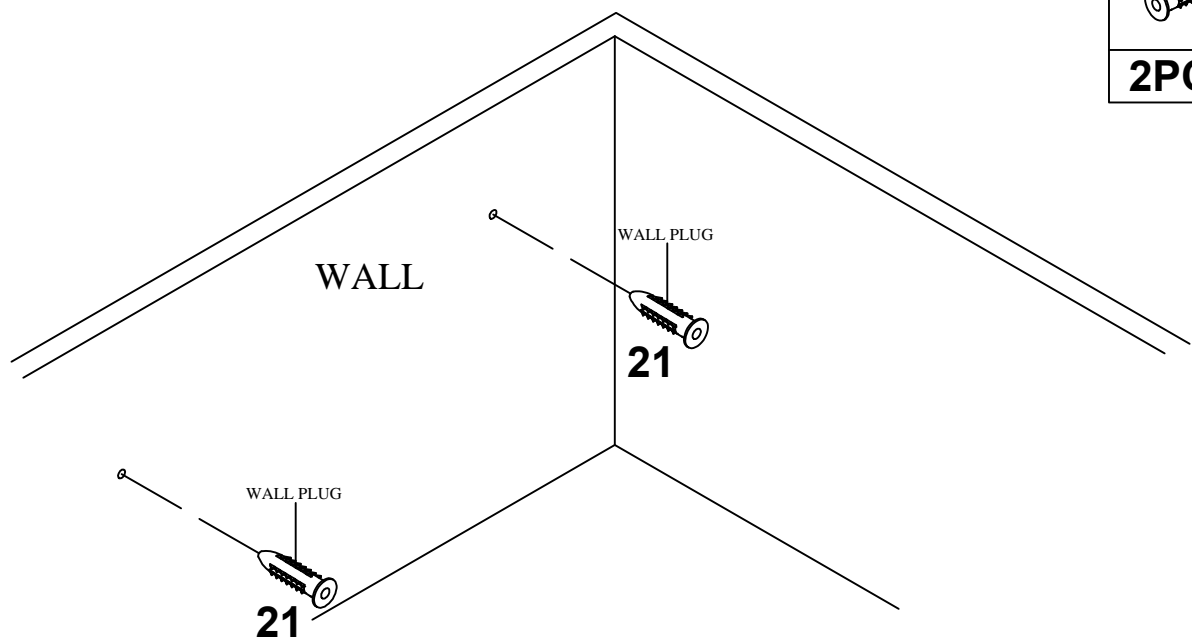


STEP A:



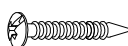



STEP B:

21

2PCS



STEP C:

17	18	19	20
			
2PCS	4PCS	2PCS	2PCS

