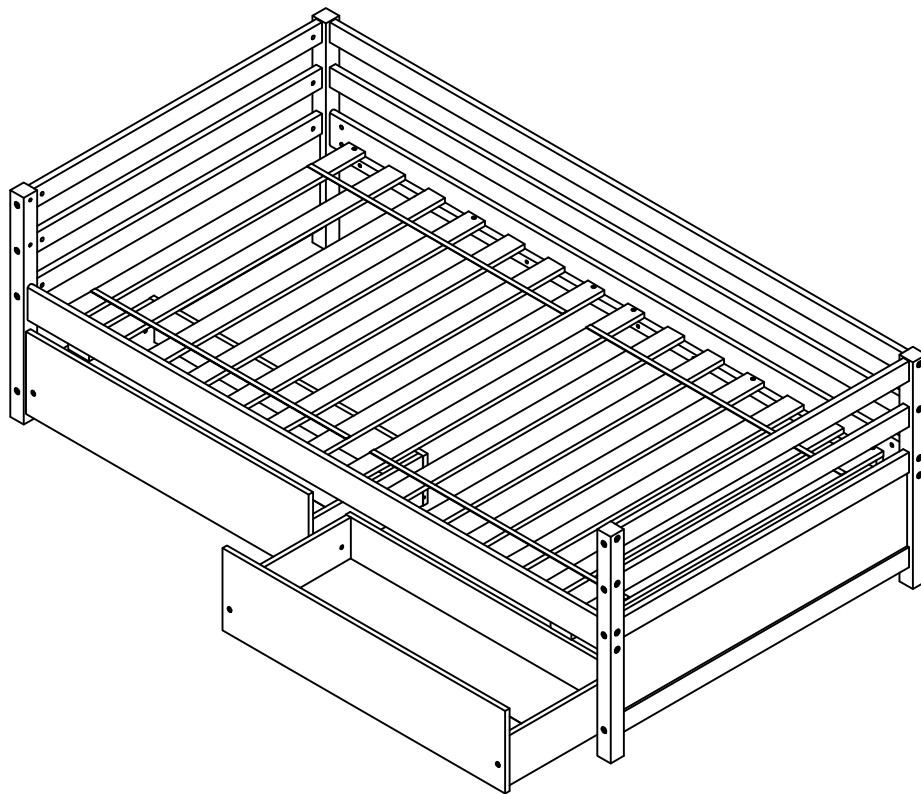


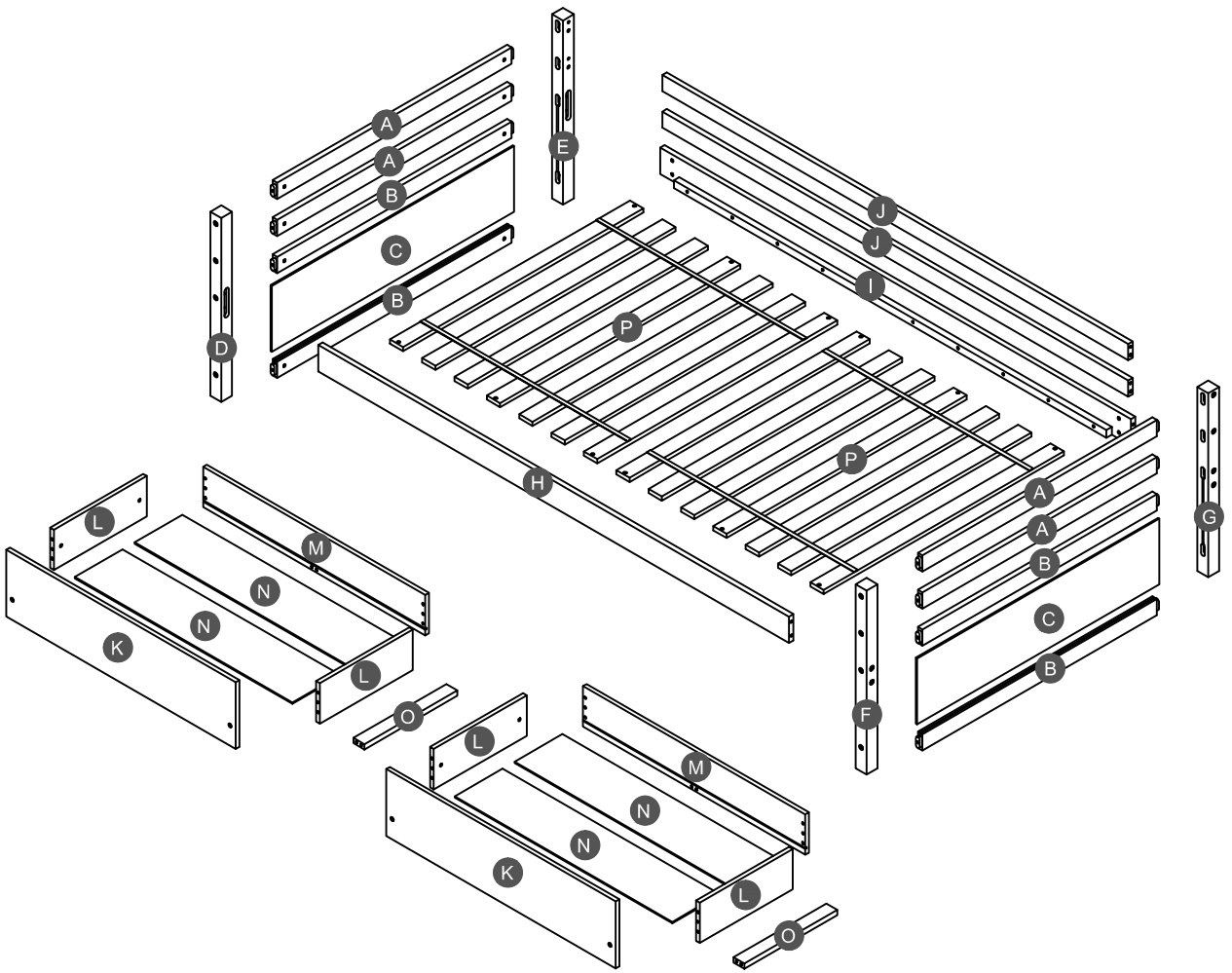
# ASSEMBLY INSTRUCTIONS

## DAY BED WITH DRAWER



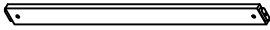

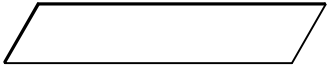





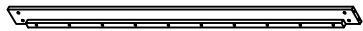

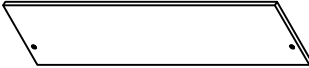
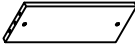
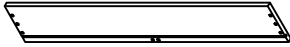

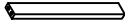
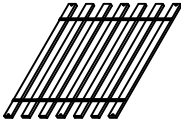
**DN33738**

# Detail View

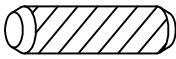
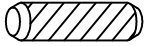
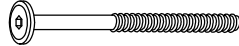
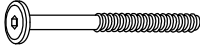
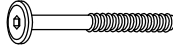


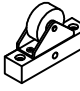
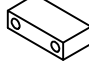
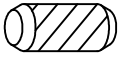



# Part List

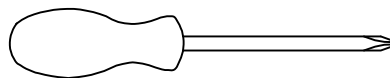
DN33738

<p><b>A</b></p>  <p>Horizontal bar - 4pcs</p>	<p><b>B</b></p>  <p>Horizontal bar - 4pcs</p>	<p><b>C</b></p>  <p>Side panel - 2pcs</p>
<p><b>D</b></p>  <p>Leg (Left front) - 1pc</p>	<p><b>E</b></p>  <p>Leg (Left back) - 1pc</p>	<p><b>F</b></p>  <p>Leg (Right front) - 1pc</p>
<p><b>G</b></p>  <p>Leg (Right back) - 1pc</p>	<p><b>H</b></p>  <p>Side rail (Front) - 1pc</p>	<p><b>I</b></p>  <p>Side rail (Back) - 1pc</p>
<p><b>J</b></p>  <p>Long guard rail - 2pcs</p>	<p><b>K</b></p>  <p>Front drawer panel - 2pcs</p>	<p><b>L</b></p>  <p>Left / right drawer panel - 4pcs</p>
<p><b>M</b></p>  <p>Back drawer panel - 2pcs</p>	<p><b>N</b></p>  <p>Drawer bottom - 4pcs</p>	<p><b>O</b></p>  <p>Support drawer - 2pcs</p>
<p><b>P</b></p>  <p>Slat (2Sets = 7pcs/set)</p>		

# Hardware List

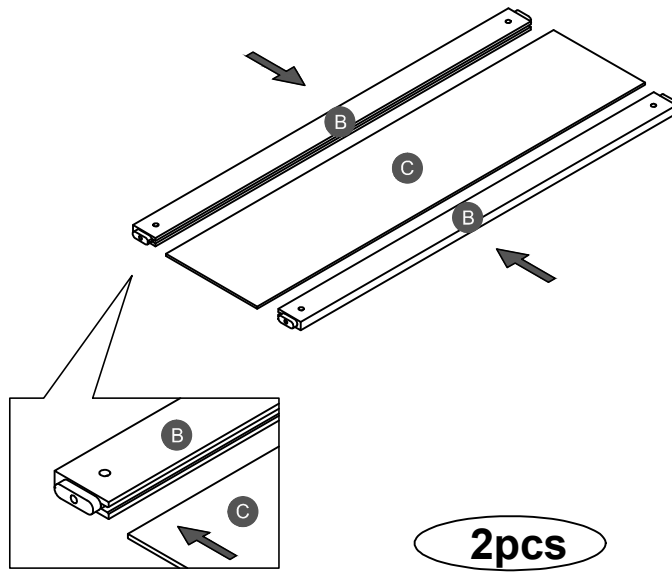
<b>1</b>  Ø10*40mm Wood dowel (4pcs)	<b>2</b>  Ø8*30mm Wood dowel (24pcs)	<b>3</b>  (Ø15)1/4"*100mm Hex-Head bolts (12pcs)
<b>4</b>  (Ø15)1/4"*80mm Hex-Head bolts (16pcs)	<b>5</b>  (Ø12)1/4"*60mm Hex-Head bolts (8pcs)	<b>6</b>  1/4"*15 (9.5mm) Horizontal-Hole bolts(36pcs)
<b>7</b>  Ø4*30mm Wood screws (34pcs)	<b>8</b>  100*20*54mm Wheels (8pcs)	<b>9</b>  70*35*19 mm Drawer stopper (3pcs)
<b>10</b>  Ø10*20mm Wood dowel (4pcs)	<b>11</b>  (1/4")4.5*58mm Allen key (1pc)	

## ASSEMBLY TOOLS REQUIRED ( NOT INCLUDED )





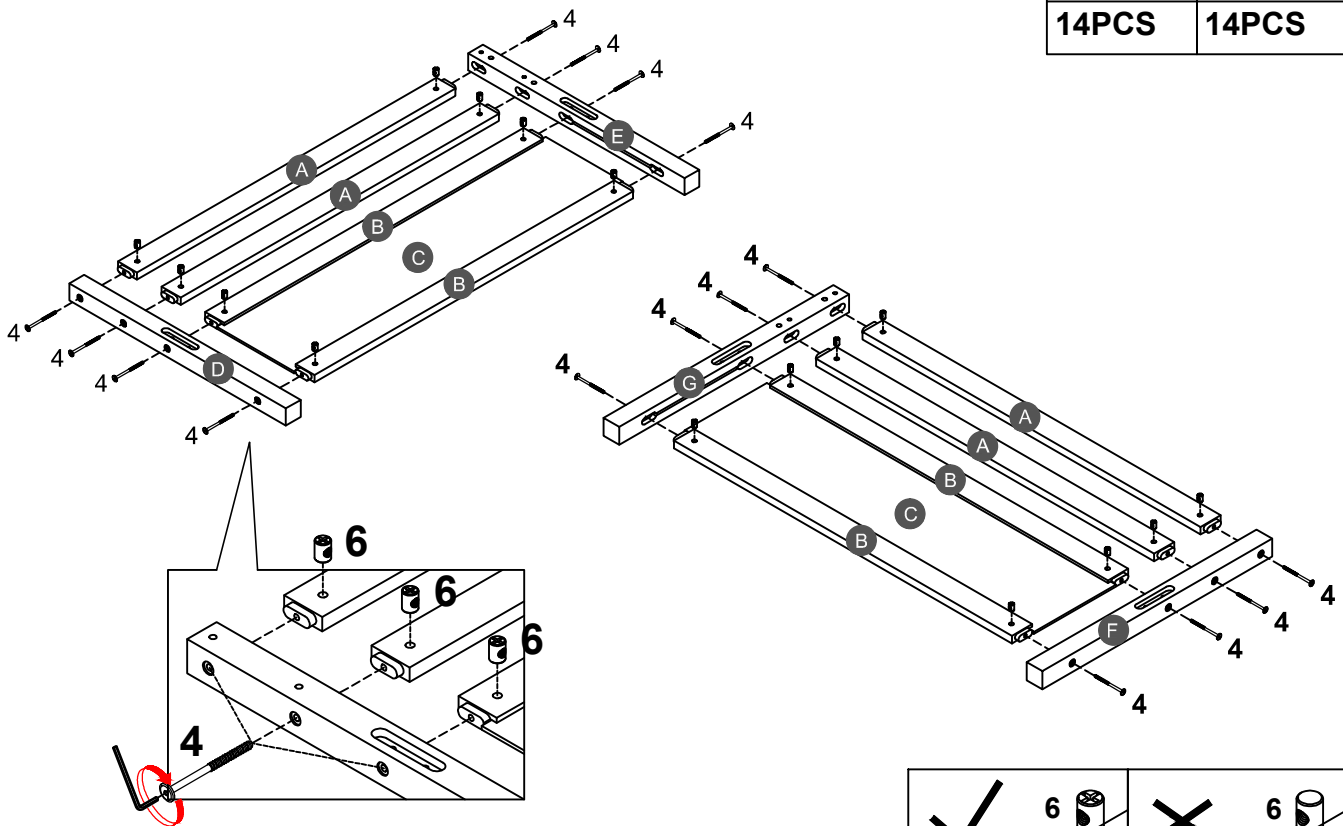
PLEASE BE CAREFUL DO NOT DAMAGE THE HOLE POSITION WHEN YOU USE POWER TOOLS !

**STEP 1:**

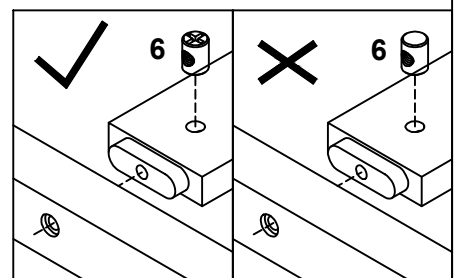


**STEP 2:**


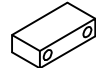
<b>4</b>		<b>6</b>	
<b>14PCS</b>		<b>14PCS</b>	

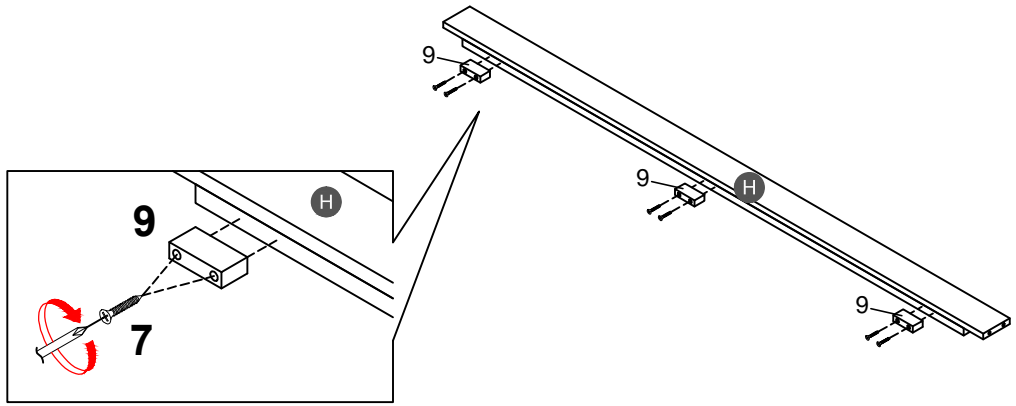


Note: Part 6 will face up with the "x" mark on it, otherwise it cannot be tightened




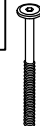

**STEP 3:**

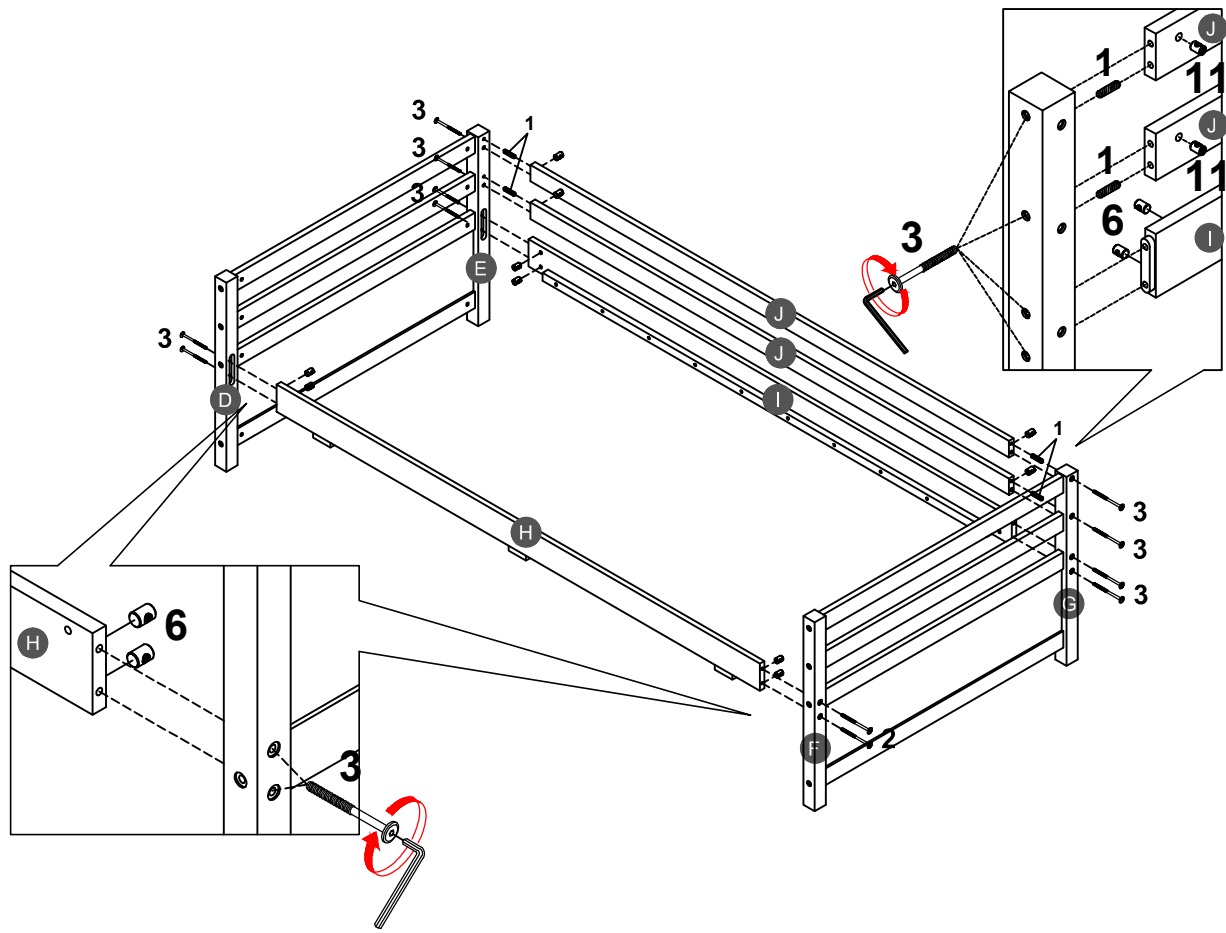
<b>7</b>		<b>9</b>	
<b>6PCS</b>		<b>3PCS</b>	



Drawer stopper (9) with lower side rail front (H) by using screw (7).

**STEP 4:**

<b>1</b>		<b>3</b>		<b>6</b>	
<b>4PCS</b>		<b>12PCS</b>		<b>12PCS</b>	

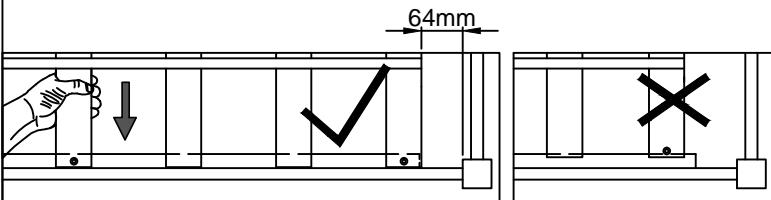
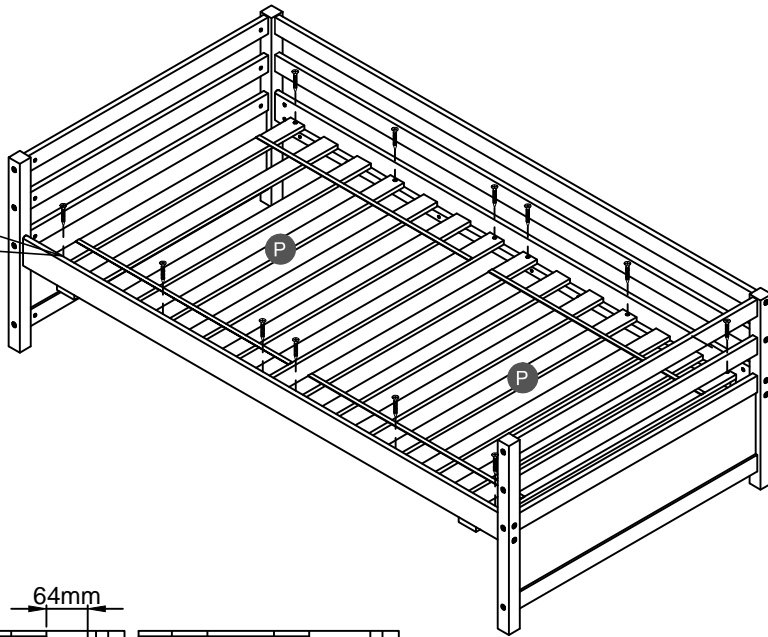
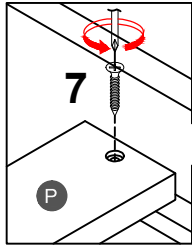


**STEP 5:**

**12**



**12PCS**

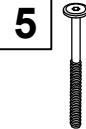


Note: Do not lock the screws of the bed slats to the outermost edge of the bed slats, you need to leave a certain space at the edges, otherwise it will cause the board to break.  
Do not lock the bed slats on the edge of the wood, please hold firmly before screwing , hold it in place with one hand, then lock the screw.

**STEP 6:**



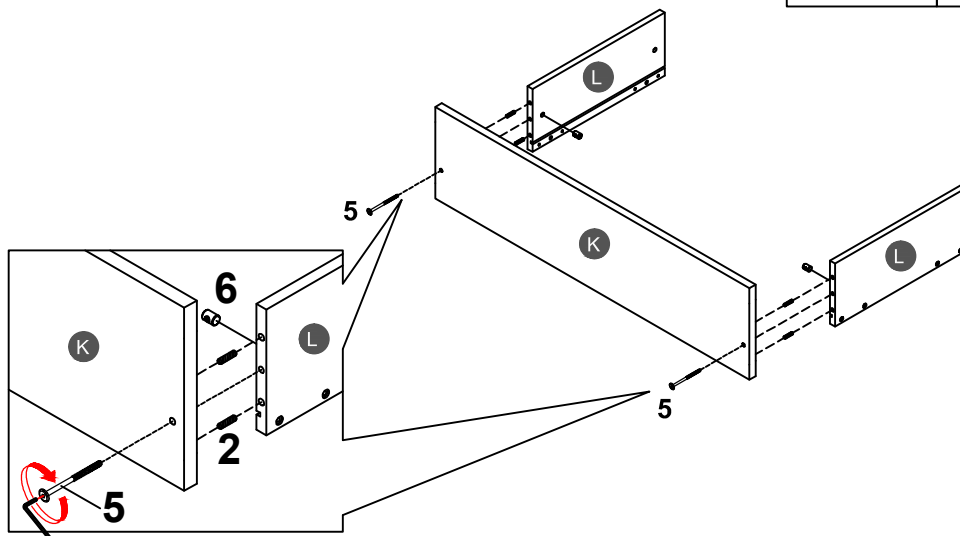
**8PCS**



**4PCS**






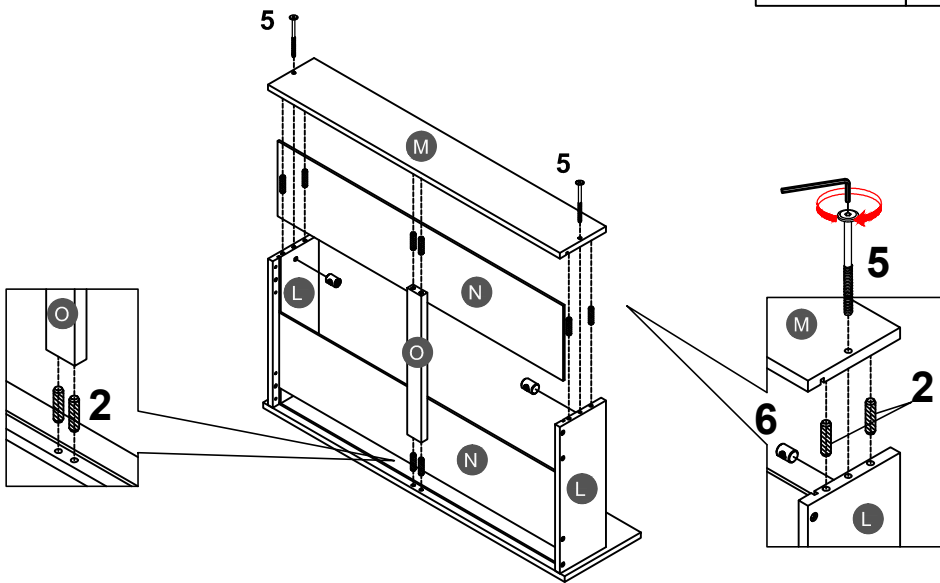
**4PCS**



**2pcs**




**STEP 7:**

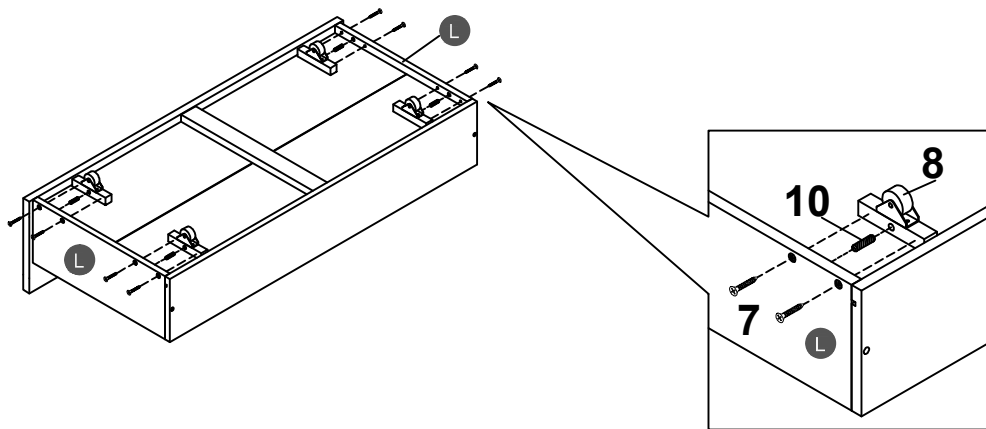
<b>2</b>		<b>5</b>		<b>6</b>	
<b>16PCS</b>		<b>4PCS</b>		<b>4PCS</b>	



**2pcs**

**STEP 8:**

<b>7</b>		<b>8</b>		<b>10</b>	
<b>16PCS</b>		<b>8PCS</b>		<b>8PCS</b>	



**2pcs**



STEP 9:

