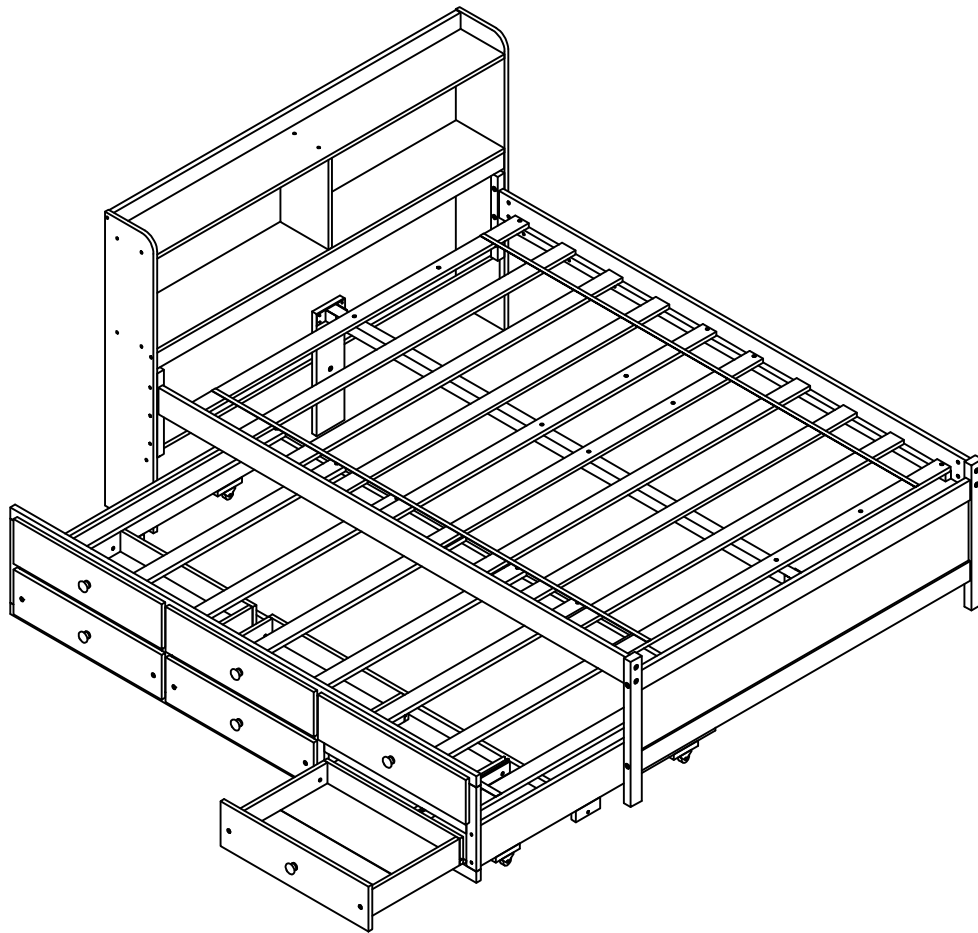


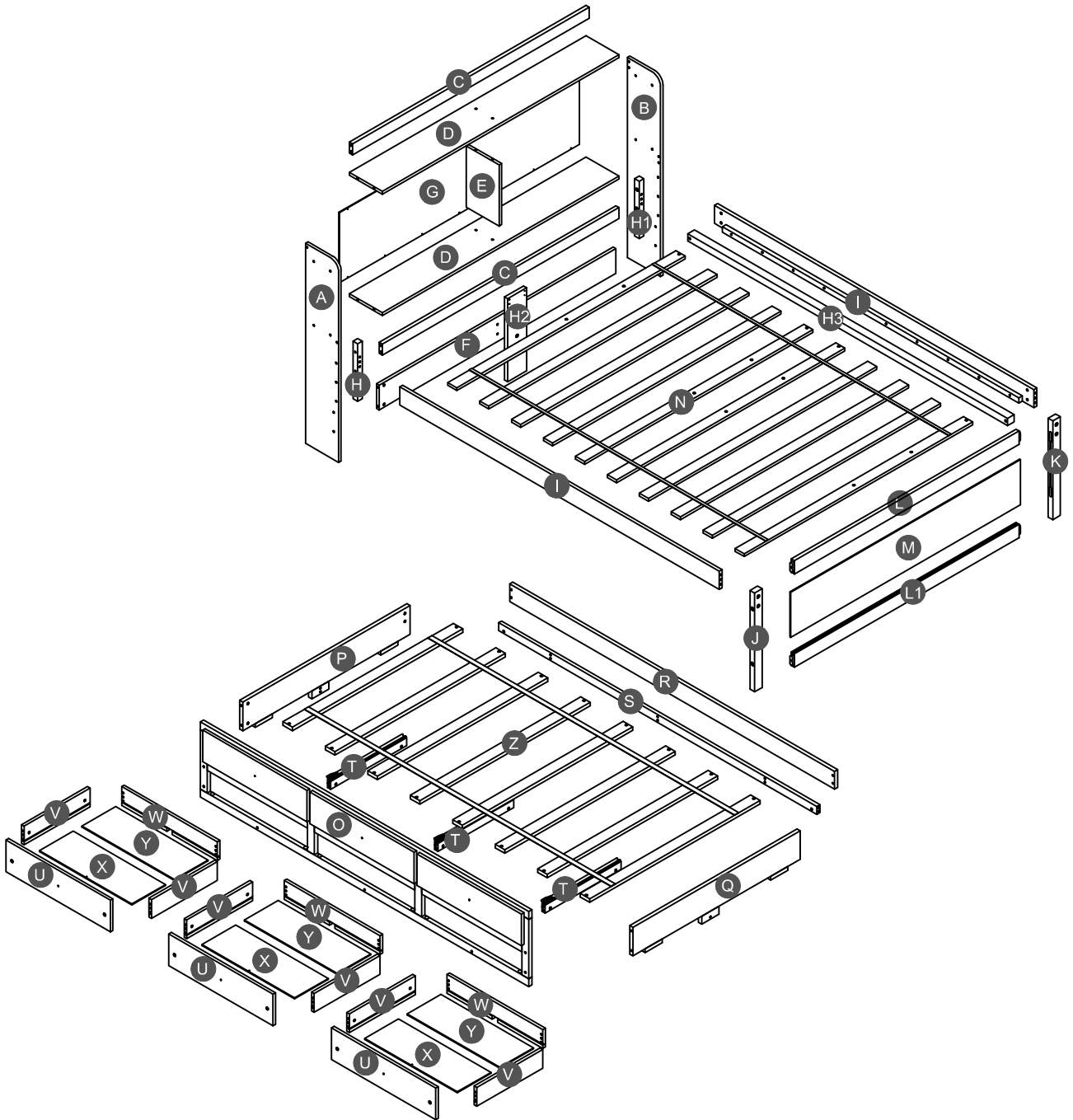
ASSEMBLY INSTRUCTIONS

FULL BED WITH BOOKCASE (PB) & TRUNDLE & DRAWERS



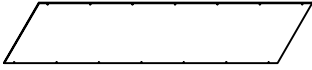


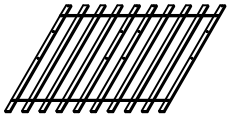



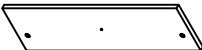
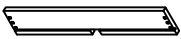
DN33735

Detail View

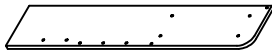
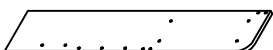
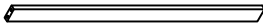
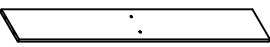

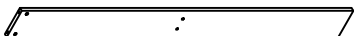
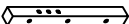

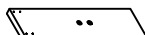
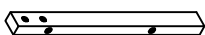

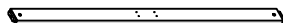

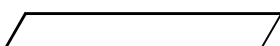
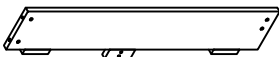



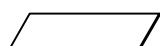
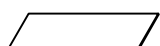
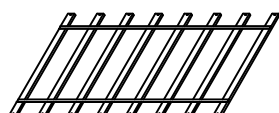


Part List

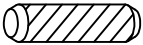
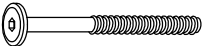
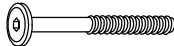









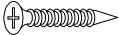
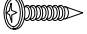

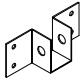
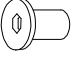
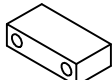
DN33735 (1-2)

G  Back panel - 1pc	H3  Lower support slat - 1pc	I  Side rail - 2pcs
N  Slats - (1Set = 10pcs)	O  Front panel of trundle - 1pc	R  Back panel side rail of trundle -1pc
S  Support rail of trundle -1pc	U  Front drawer panel - 3pcs	W  Back drawer panel - 3pcs

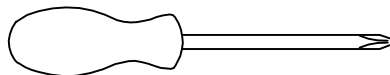
Hardware List DN33735 (2-2)

A  Panel (left) - 1pc	B  Panel (right) - 1pc	C  HB horizontal - 2pcs
D  Top - Shelf panel - 2pcs	E  Middle panel- 1pc	F  Crossbar-1pc
H  Vertical bar HB (left) - 1pc	H1  Vertical bar HB (right) - 1pc	H2  Vertical bar HB - 1pc
J  Leg FB (left) - 1pc	K  Leg FB (right) - 1pc	L  FB horizontal bar - 1pc
L1  FB horizontal bar - 1pc	M  Side panel FB - 1pc	P  Left side panel of trundle -1pc
Q  Right side panel of trundle -1pc	T  Support drawer - 3pcs	V  Left / right drawer panel - 6pcs
X  Drawer bottom - 3pcs	Y  Drawer bottom - 3pcs	Z  Slats - (1Set = 8pcs)

Hardware List DN33735 (2-2)

1  Ø8*30mm Wood dowel (34pcs)	2  (Ø15)1/4"*80mm Hex-Head bolts (12pcs)	3  (Ø12)1/4"*60mm Hex-Head bolts (48pcs)
4  (Ø12)1/4"*40mm Hex-Head bolts (8pcs)	5  1/4"*15 (9.5mm) Horizontal-Hole bolts(60pcs)	6  Ø38*31mm Pine Knob (6pcs)
7  3/16"*25mm Ph zinc(Knob) (6pcs)	8  (1/4")4.5*58mm Allen key (2pcs)	9  45*20*35mm Caster (4pcs)
10  400*30mm Upper slider drawer (3pcs)	11  Ø3.5*12mm Wood screws (9pcs)	12  Ø3.5*19mm Wood screws (8pcs)
13  Ø4*30mm Wood screws (32pcs)	14  Ø3.5*15mm Wood screws (22pcs)	15  (Ø12)1/4"*30mm Hex-Head bolts (2pcs)
16  116*40*27mm Metal bracket (2pcs)	17  (Ø13)1/4"*14mm Connect bolt (2pcs)	18  70*35*19 mm Drawer stopper (2pcs)

ASSEMBLY TOOLS REQUIRED (NOT INCLUDED)



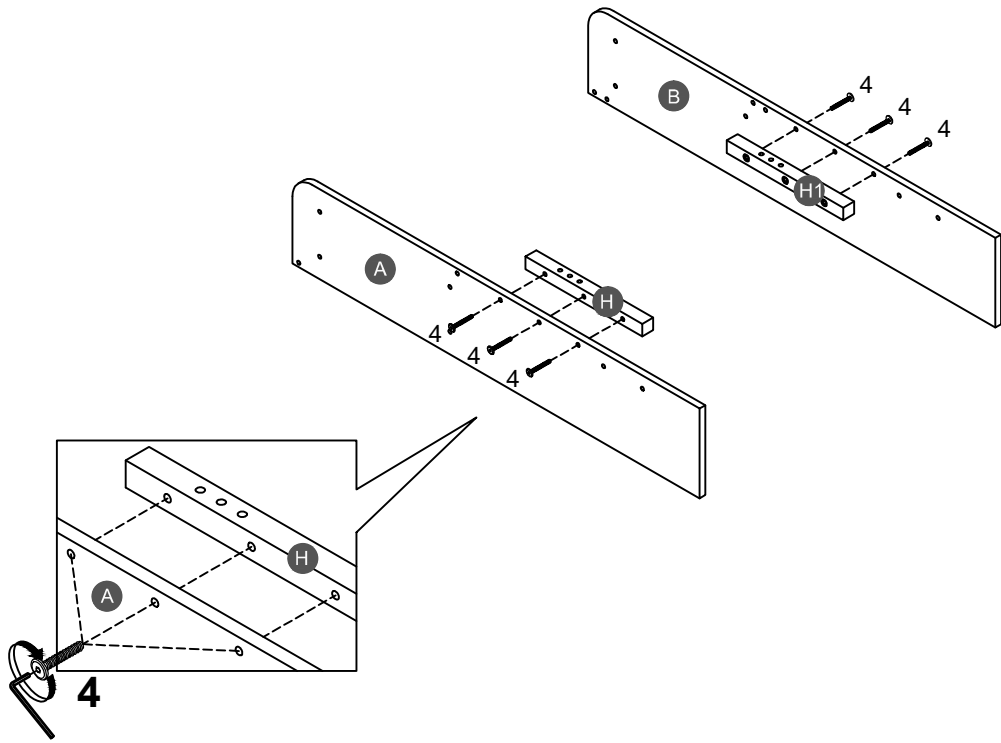
PLEASE BE CAREFUL DO NOT DAMAGE THE HOLE POSITION WHEN YOU USE POWER TOOLS !

STEP 1:

4



6PCS



STEP 2:

3

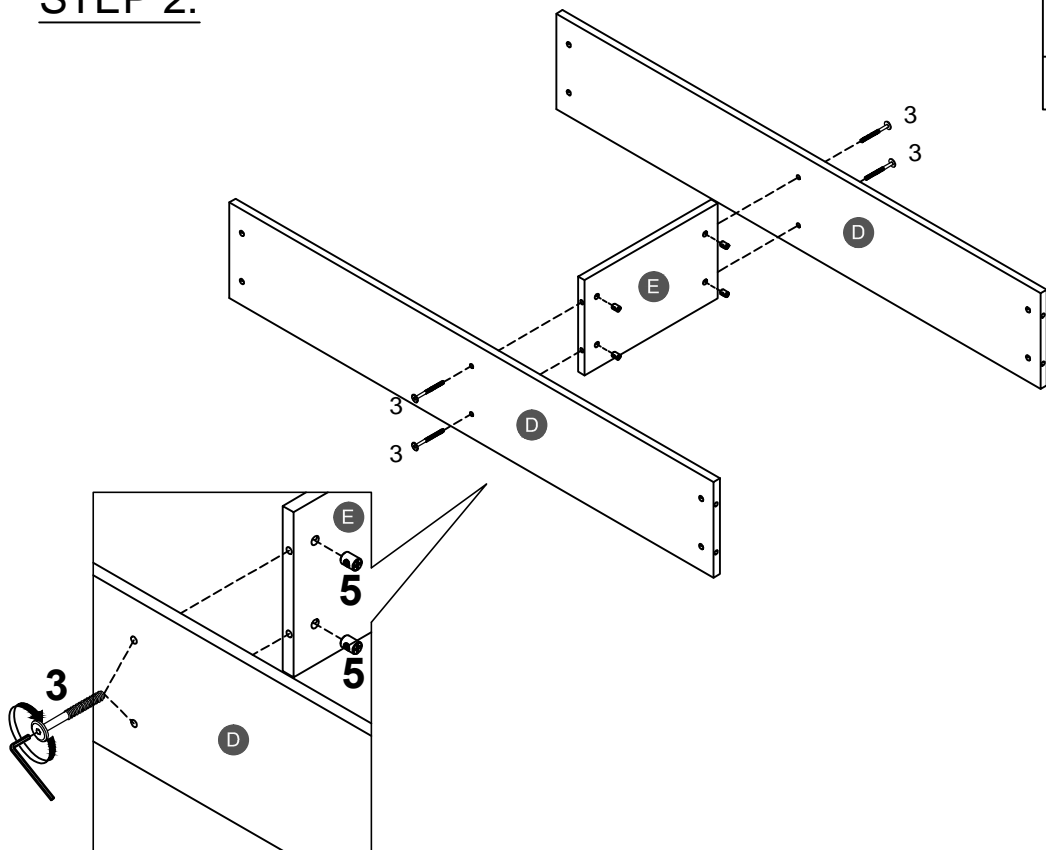


4PCS




5

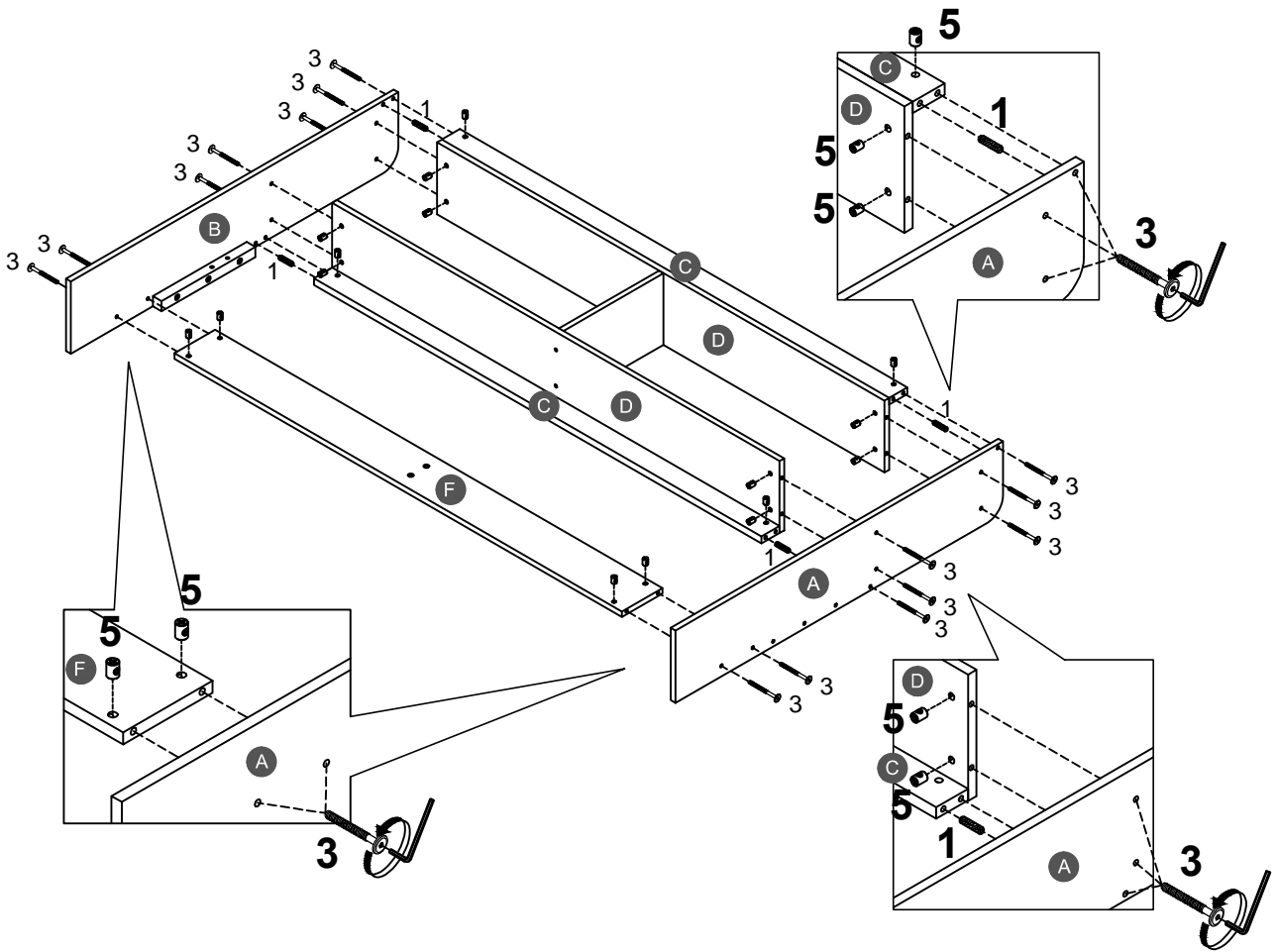


4PCS


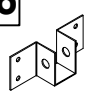


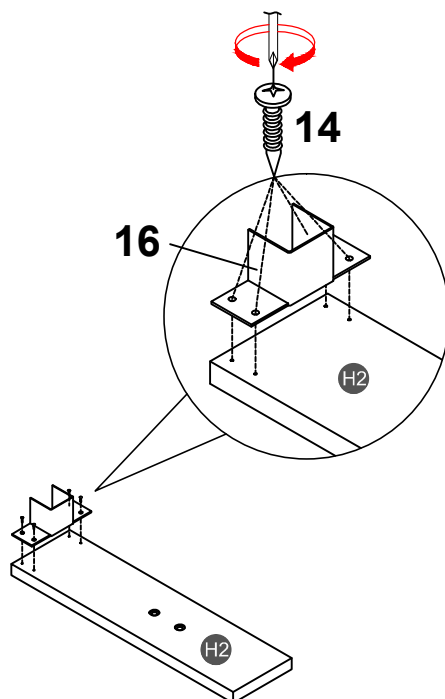
STEP 3:

1		3		5	
4PCS		16PCS		16PCS	




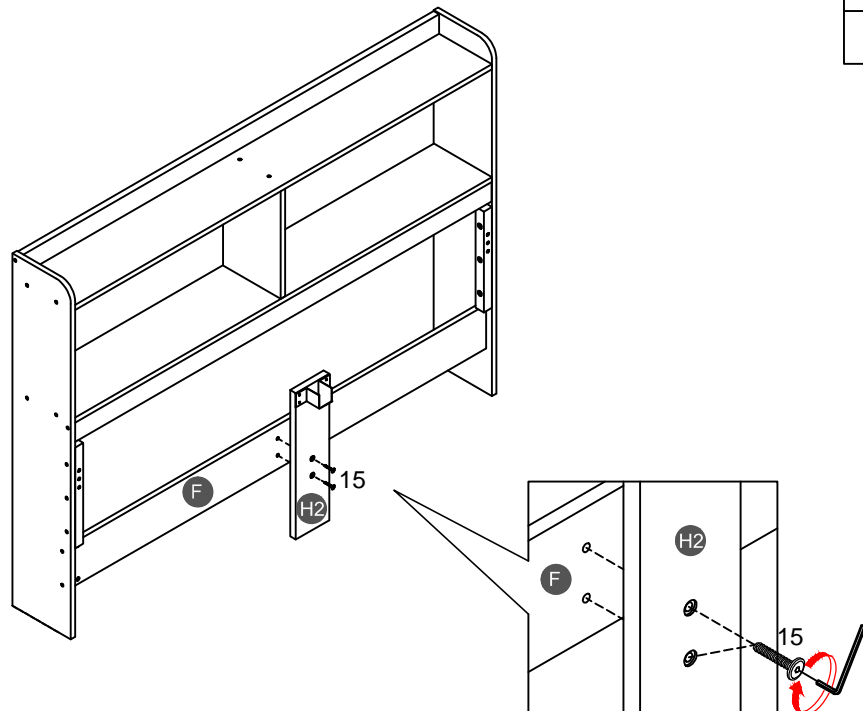
STEP 4:

14		16	
4PCS		1PC	




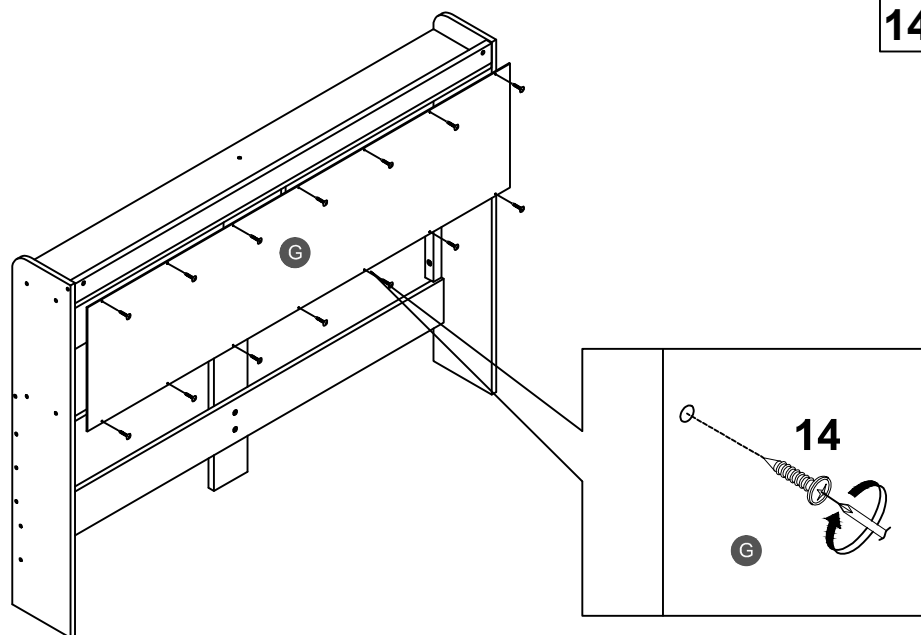
STEP 5:

15

2PCS

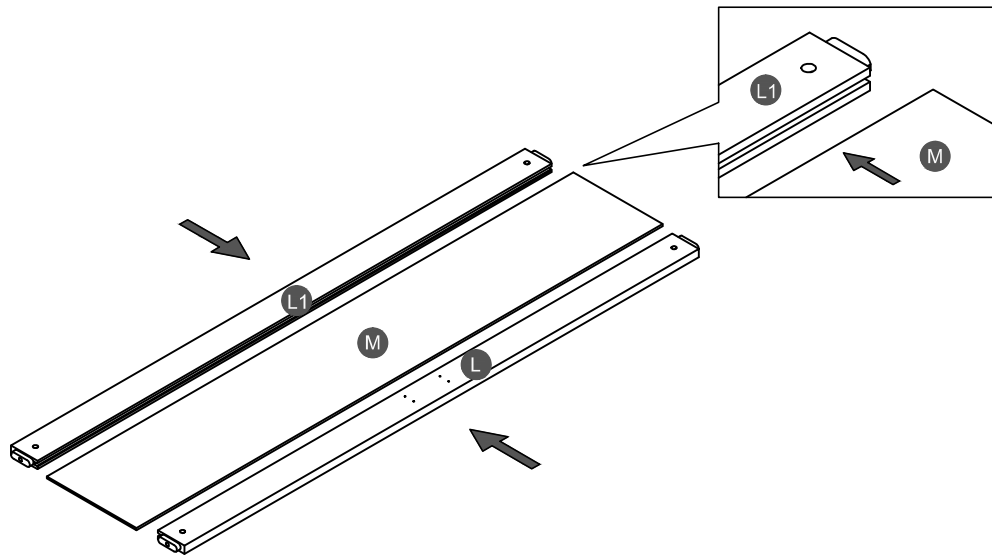


STEP 6:

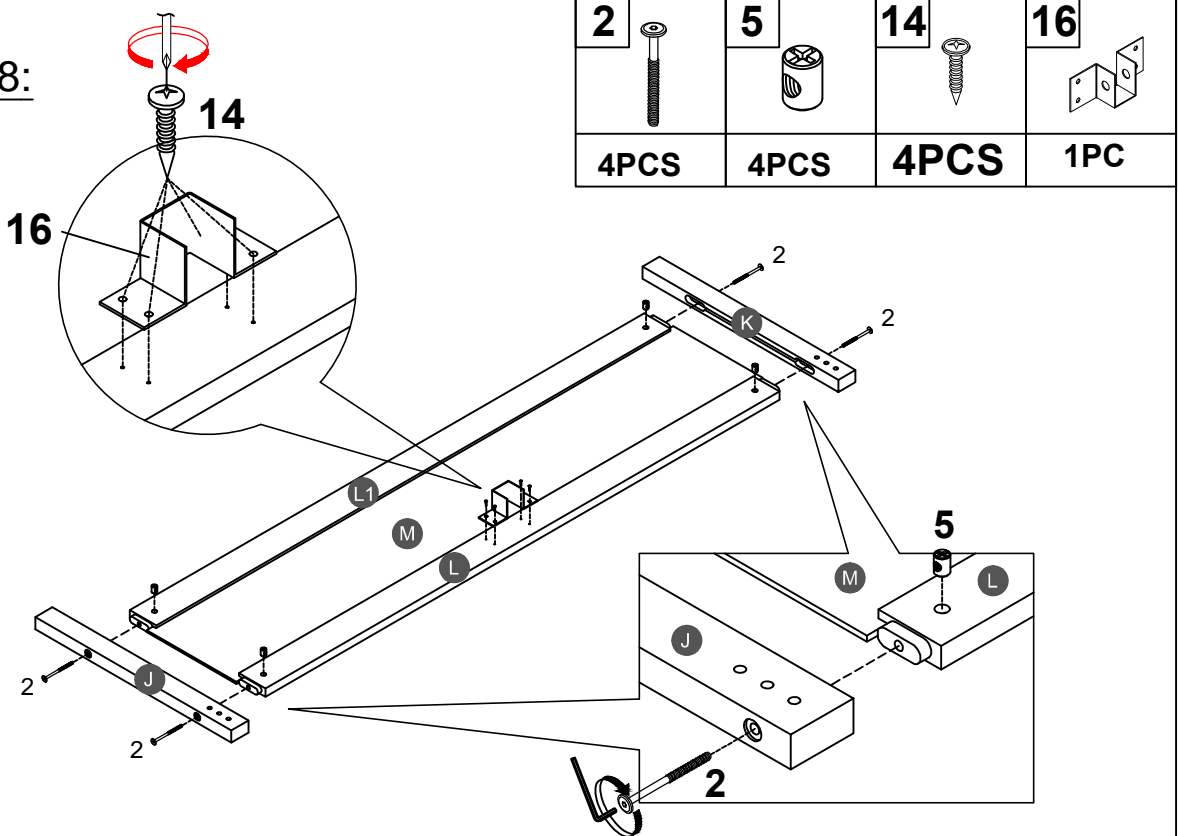
14

14PCS



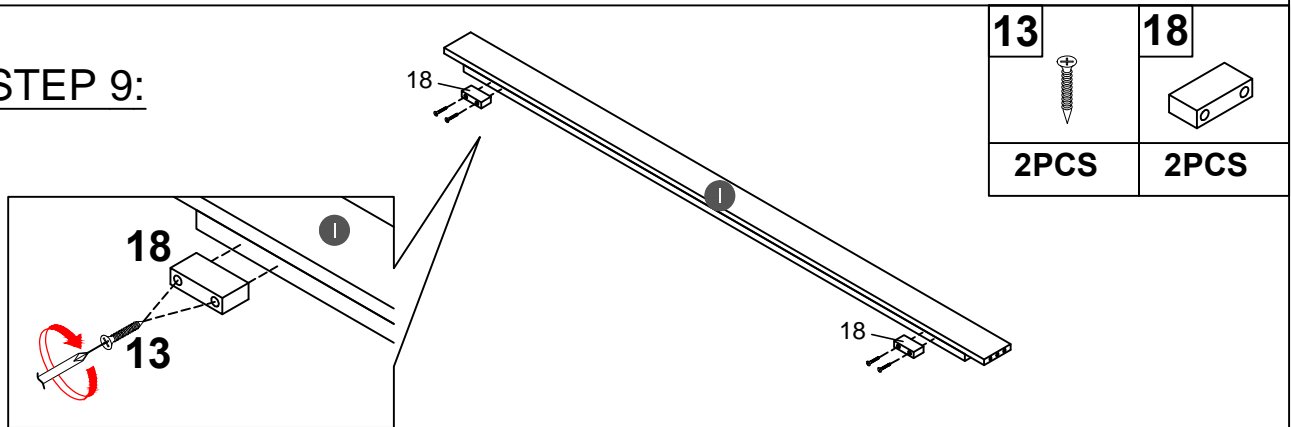
STEP 7:



STEP 8:






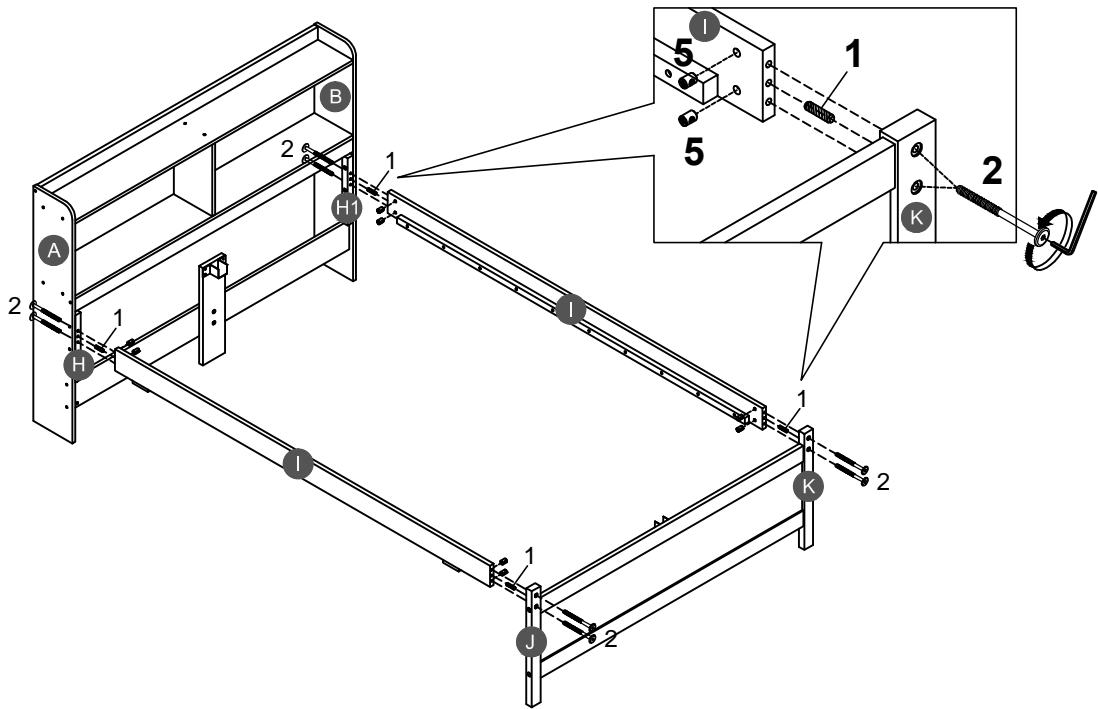
STEP 9:



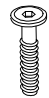
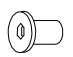
Drawer stopper (18) with lower side rail front (I) by using screw (13).

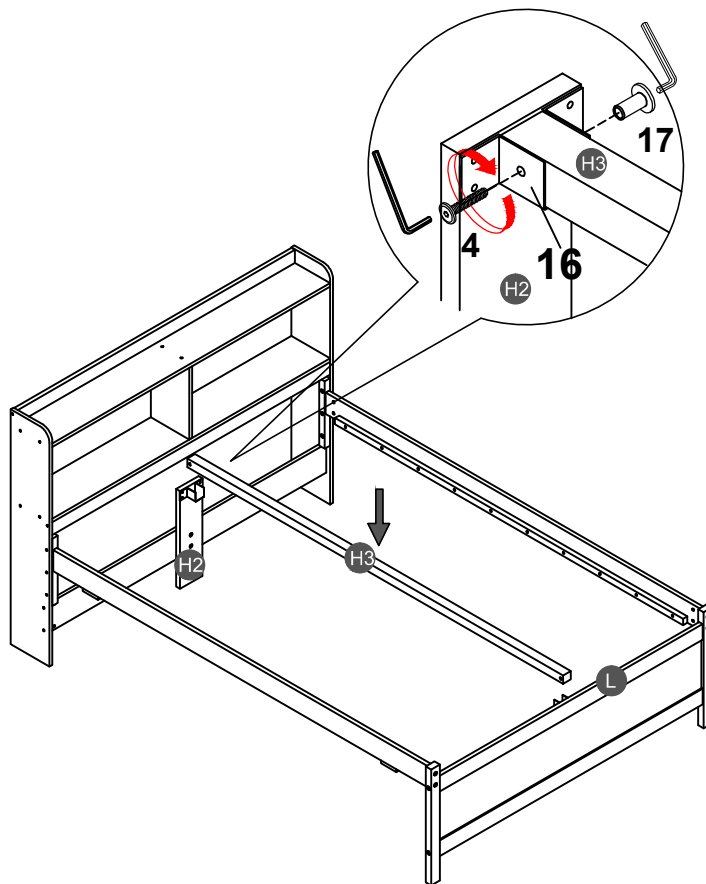
STEP 10:

1		2		5	
4PCS		8PCS		8PCS	

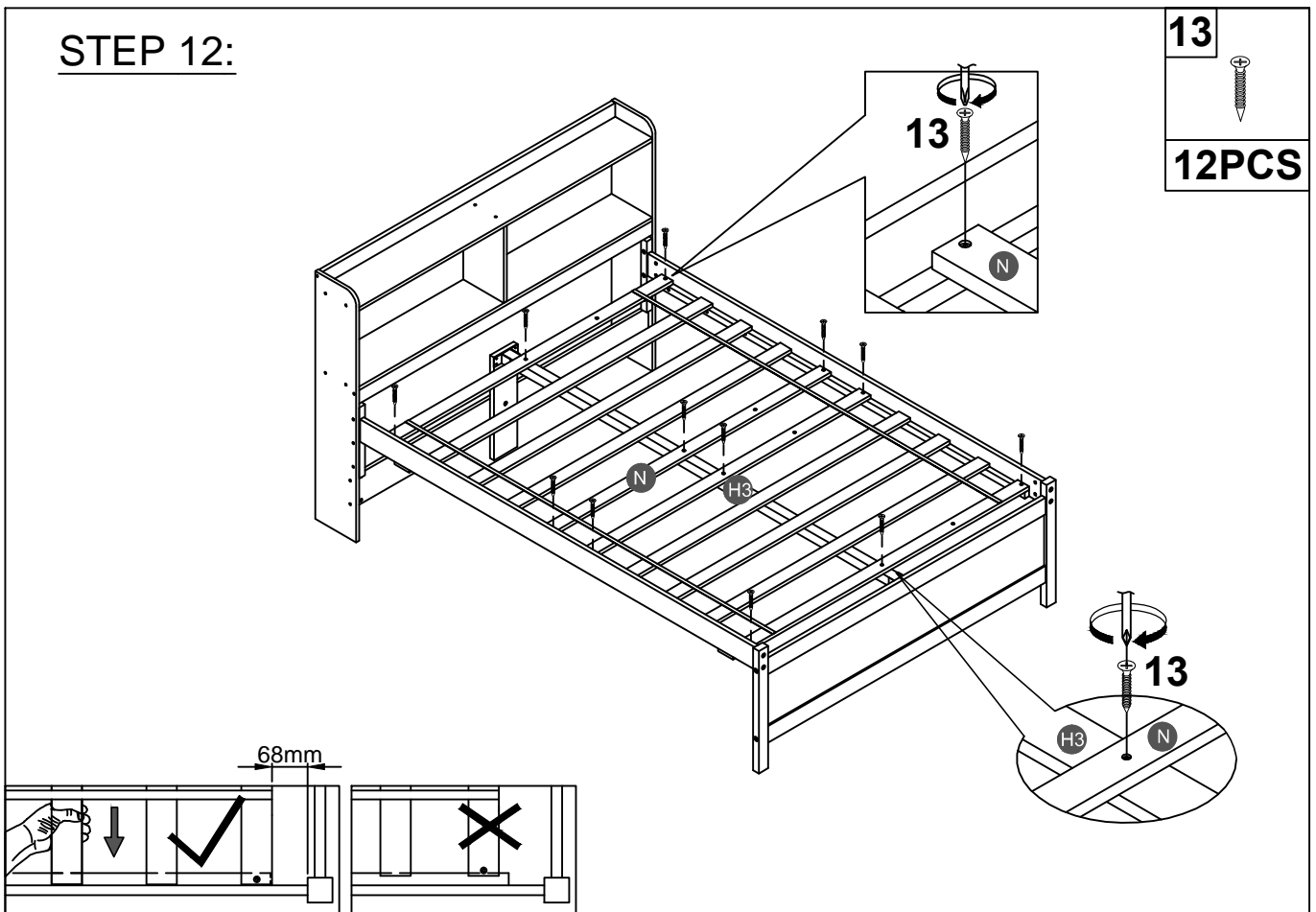


STEP 11:

4		17	
2PCS		2PCS	

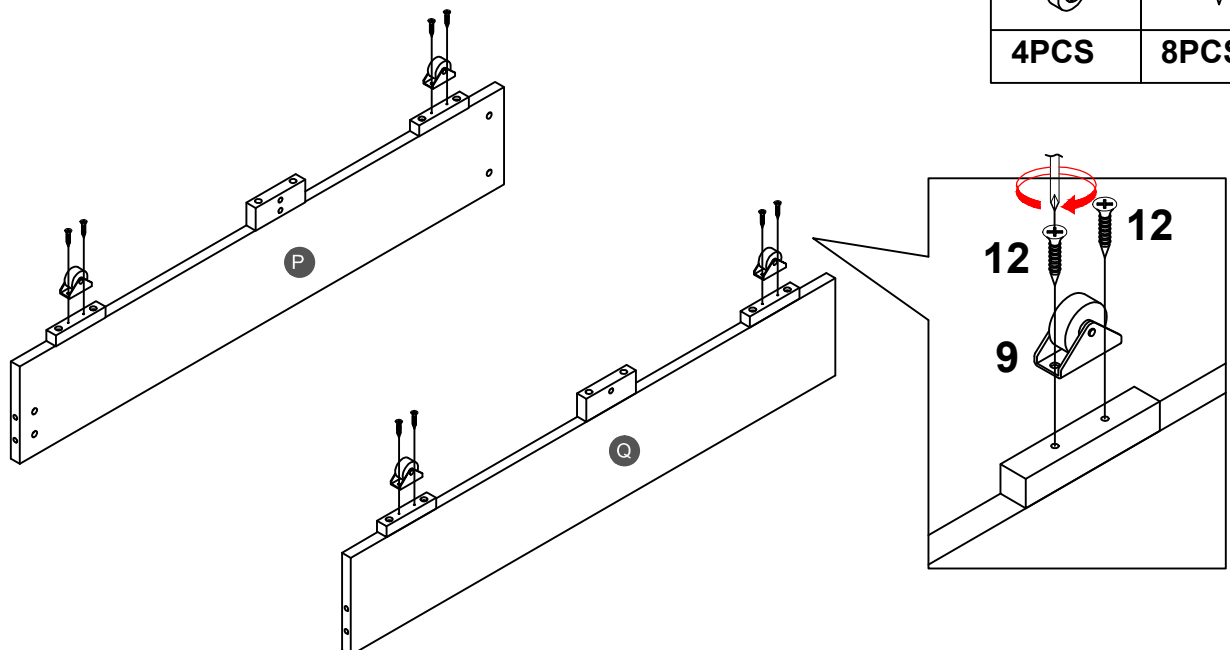


STEP 12:

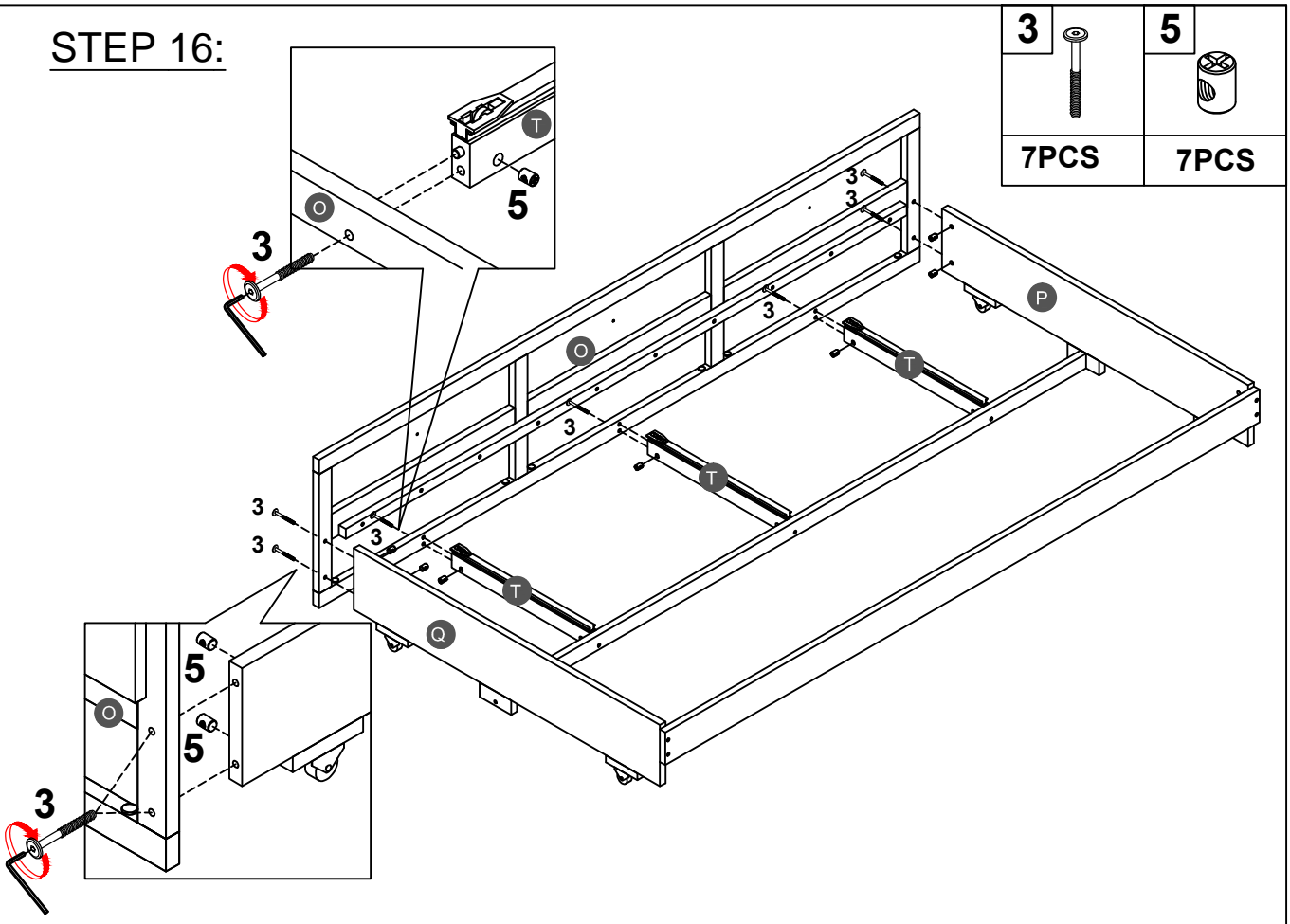


Note: Do not lock the screws of the bed slats to the outermost edge of the bed slats, you need to leave a certain space at the edges, otherwise it will cause the board to break. Do not lock the bed slats on the edge of the wood, please hold firmly before screwing, hold it in place with one hand, then lock the screw.

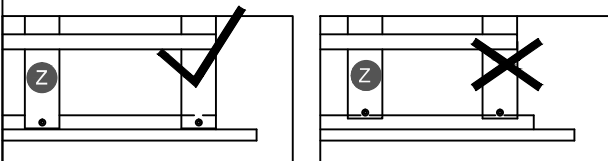
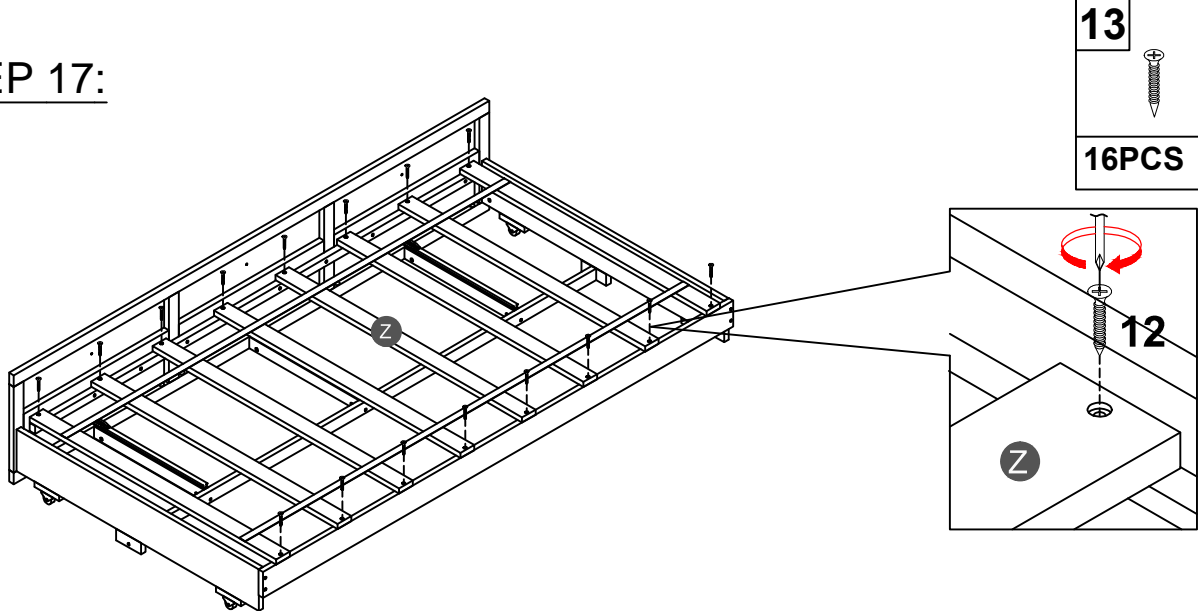
STEP 13:



STEP 16:

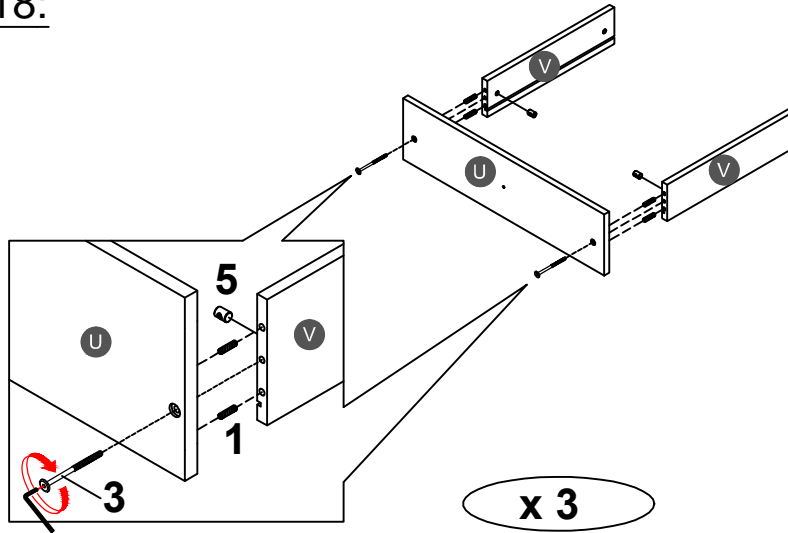


STEP 17:



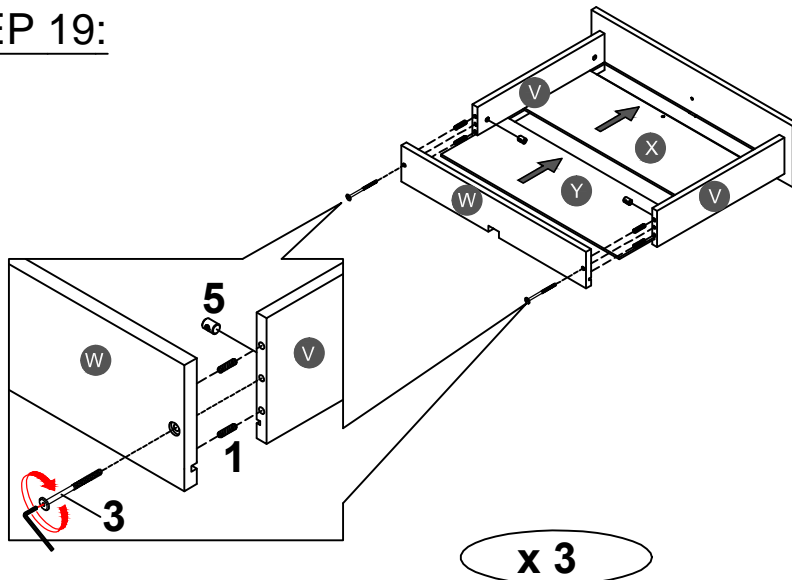
Note: Do not lock the screws of the bed slats to the outermost edge of the bed slats, you need to leave a certain space at the edges, otherwise it will cause the board to break

STEP 18:



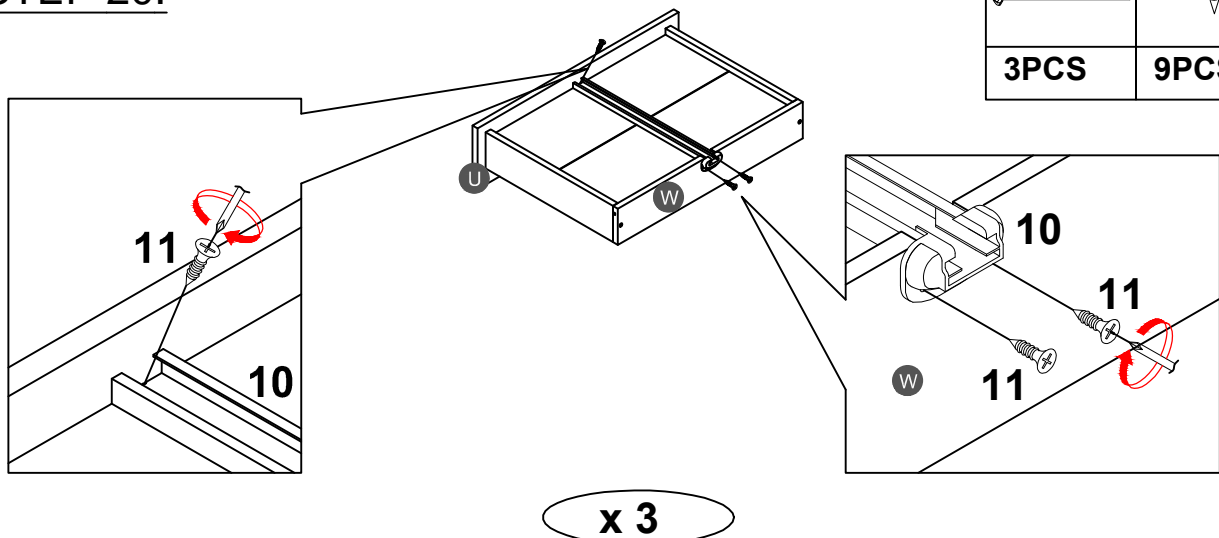
1		5	
12PCS		6PCS	
		3	
		6PCS	

STEP 19:



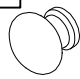

1		5	
12PCS		6PCS	
		3	
		6PCS	

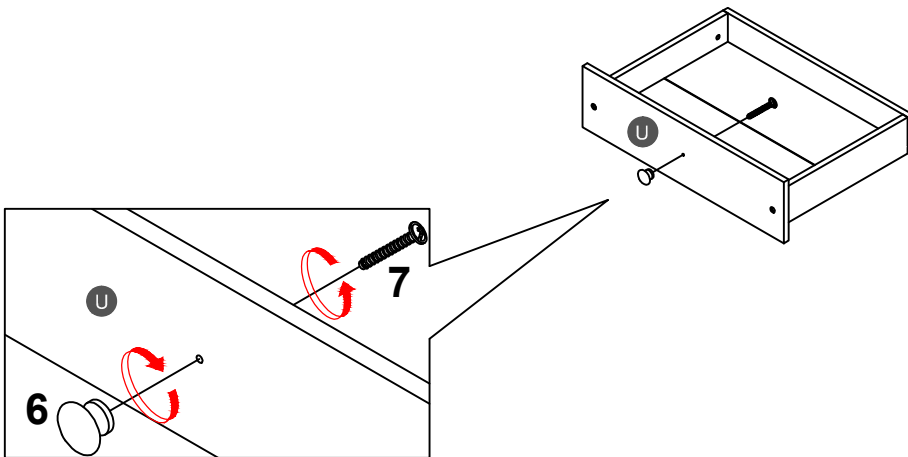
STEP 20:



10		11	
3PCS		9PCS	

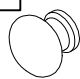

STEP 21:

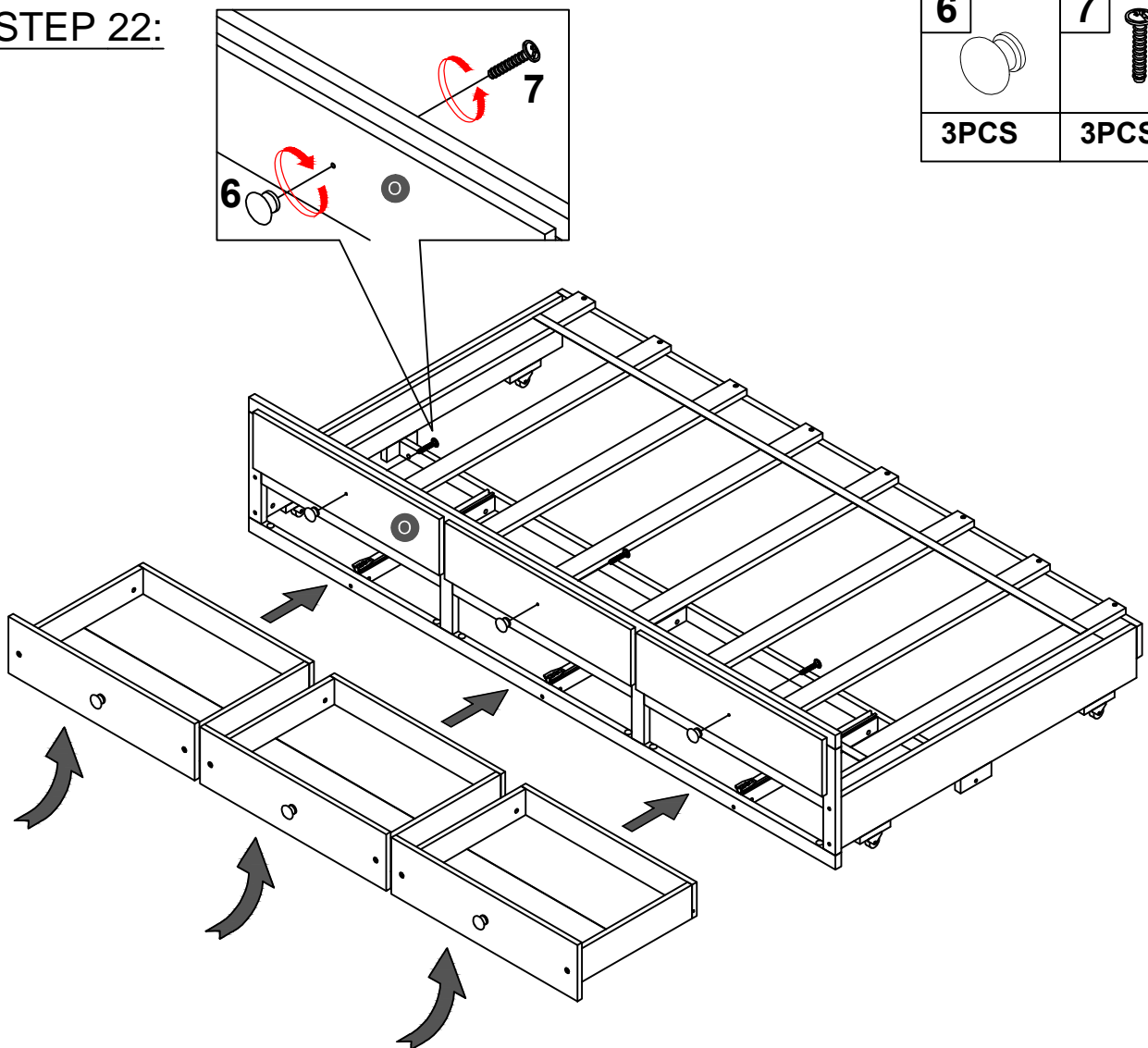
6	7
	
3PCS	3PCS



x 3

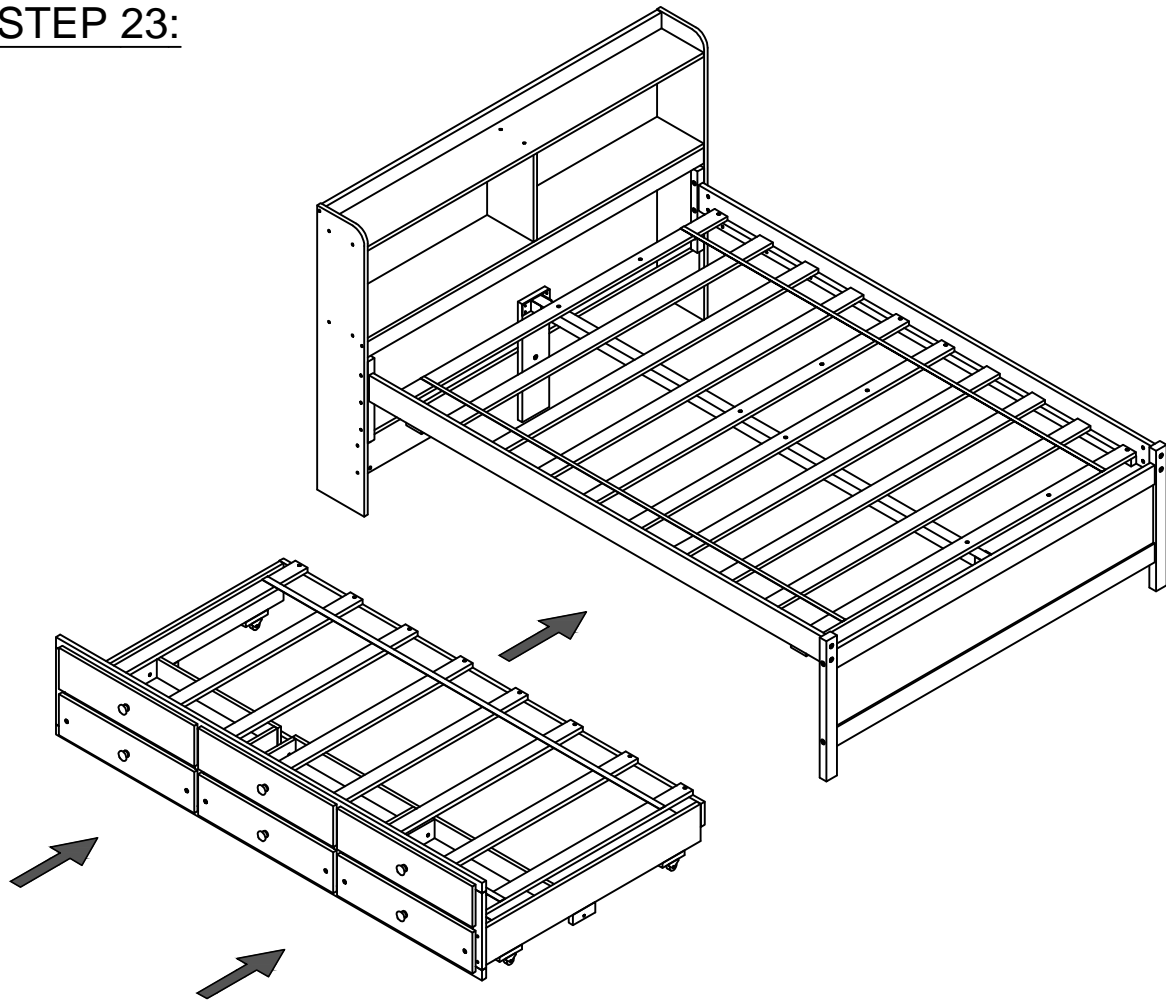
STEP 22:

6	7
	
3PCS	3PCS



Remark: When opening or closing the drawer, Please lift the drawer slightly before opening or closing it.

STEP 23:



Push Trundle under the bottom of Captain bed.

