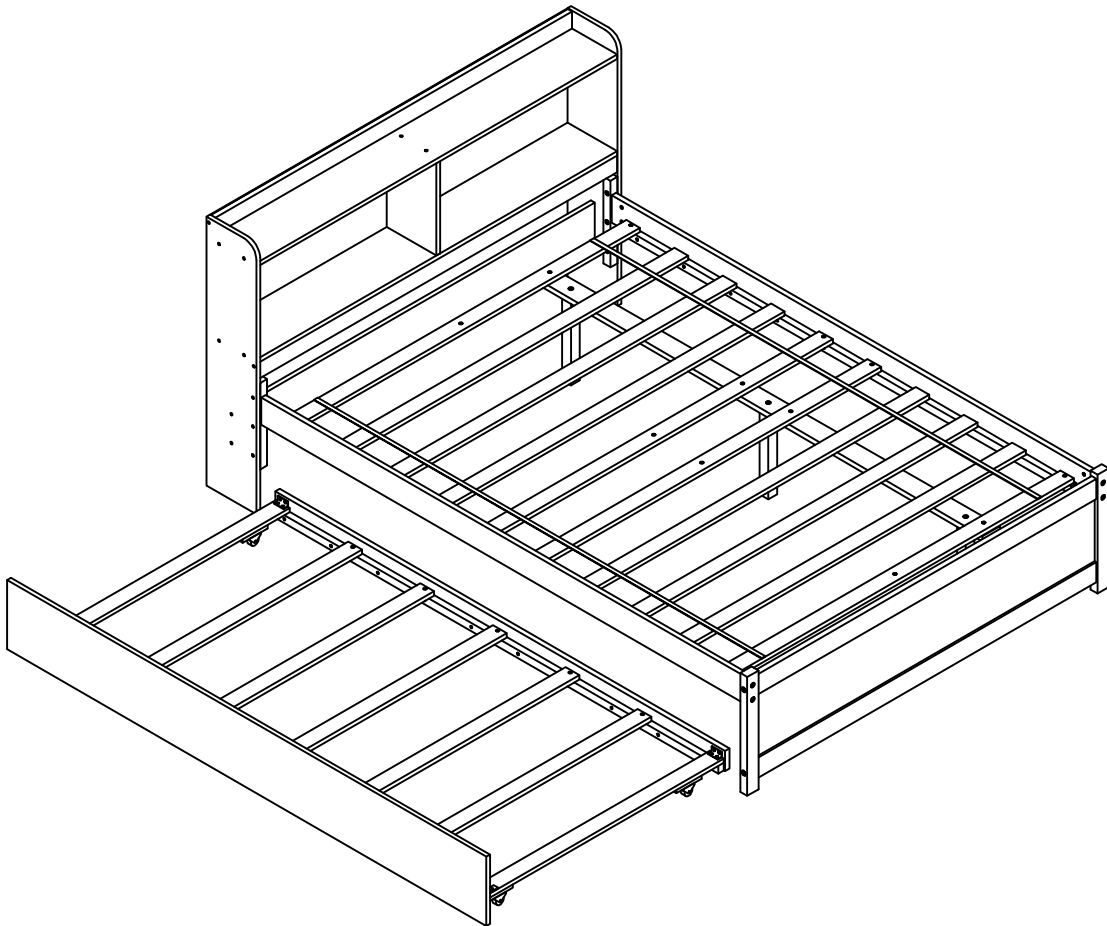


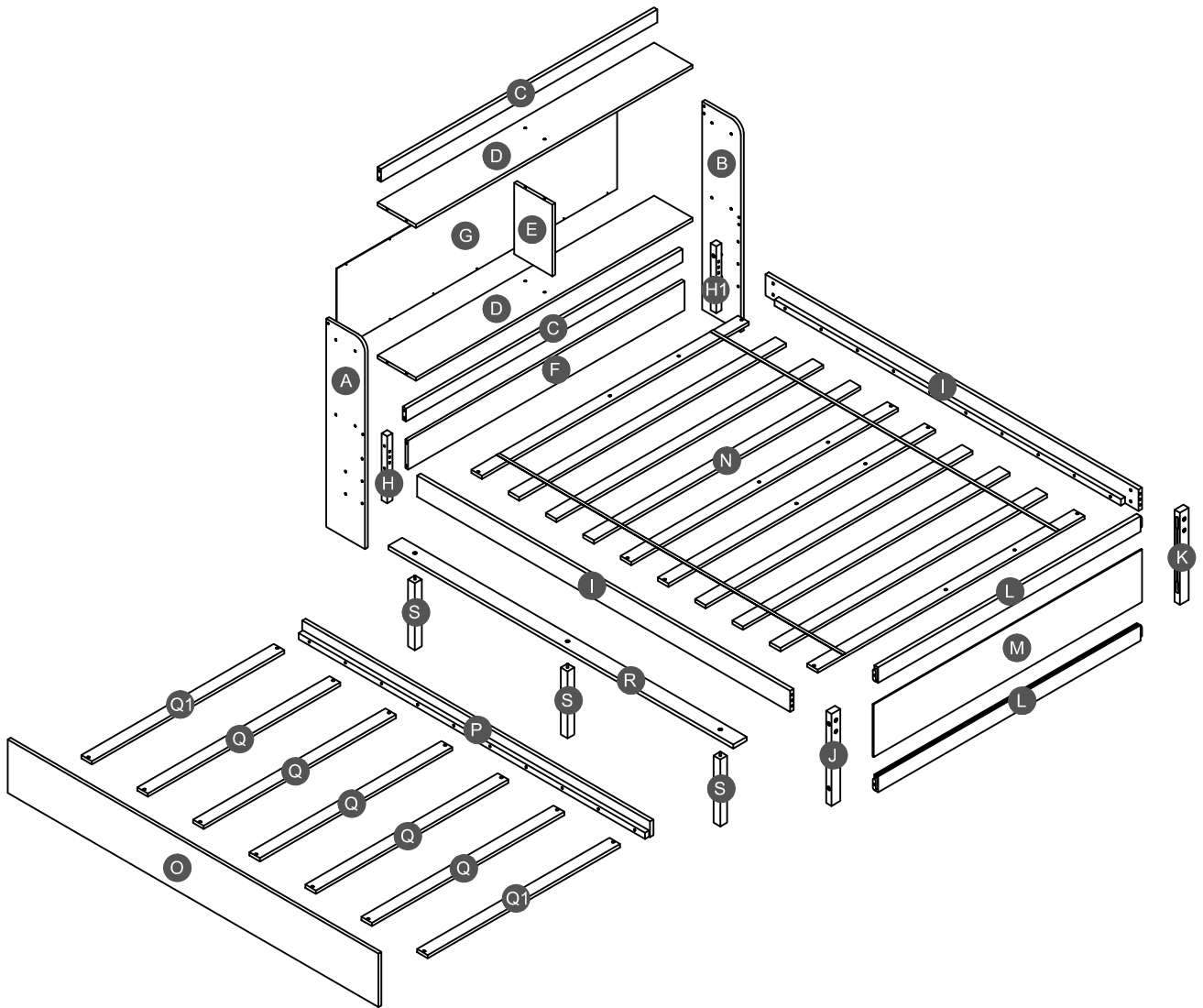
ASSEMBLY INSTRUCTIONS

FULL BED WITH BOOKCASE (PB) & TRUNDLE

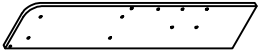
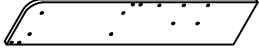
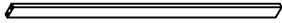




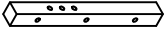
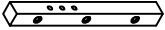

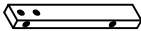
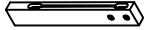
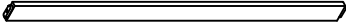

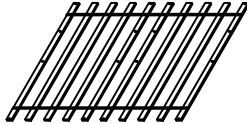
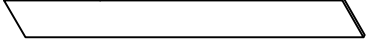




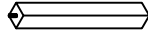


DN33732

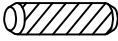
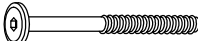
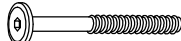



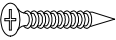
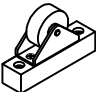

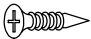
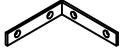

Detail View



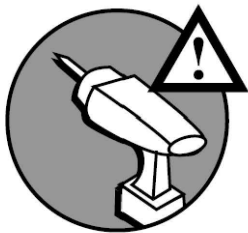
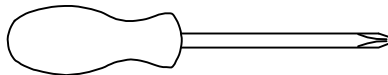
Part List

<p>A</p>  <p>Panel (left) - 1pc</p>	<p>B</p>  <p>Panel (right) - 1pc</p>	<p>C</p>  <p>HB horizontal - 2pcs</p>
<p>D</p>  <p>Top - Shelf panel - 2pcs</p>	<p>E</p>  <p>Middle panel- 1pc</p>	<p>F</p>  <p>Crossbar-1pc</p>
<p>G</p>  <p>Back panel - 1pc</p>	<p>H</p>  <p>Vertical bar HB (left) - 1pc</p>	<p>H1</p>  <p>Vertical bar HB (right) - 1pc</p>
<p>I</p>  <p>Side rail - 2pcs</p>	<p>J</p>  <p>Leg FB (left) - 1pc</p>	<p>K</p>  <p>Leg FB (right) - 1pc</p>
<p>L</p>  <p>FB horizontal bar - 2pcs</p>	<p>M</p>  <p>Side panel FB - 1pc</p>	<p>N</p>  <p>Slats - (Set = 10pcs)</p>
<p>O</p>  <p>Front panel of Trundle - 1pc</p>	<p>P</p>  <p>Back panel side rail of Trundle -1pc</p>	<p>Q</p>  <p>Slats - 5pcs</p>
<p>Q1</p>  <p>Slats - 2pcs</p>	<p>R</p>  <p>Lower support slat - 1pc</p>	<p>S</p>  <p>Leg support - 3pcs</p>

Hardware List

1	 Ø8*30mm Wood dowel (8pcs)	2	 (Ø15)1/4"*80mm Hex-Head bolts (12pcs)	3	 (Ø12)1/4"*60mm Hex-Head bolts (20pcs)
4	 (Ø12)1/4"*40mm Hex-Head bolts (6pcs)	5	 1/4"*15 (9.5mm) Horizontal-Hole bolts (32pcs)	6	 (1/4")4.5*58mm Allen key (1pc)
7	 Ø4*30mm Wood screws (34pcs)	8	 100*63*20mm Wheels (4pcs)	9	 Ø3.5*15mm Wood screws (14pcs)
10	 Ø3.5*15mm Wood screws (16pcs)	11	 95*95*18*3mm Metal bracket (2pcs)	12	 40*18*18*2mm Metal bracket (2pcs)

ASSEMBLY TOOLS REQUIRED (NOT INCLUDED)



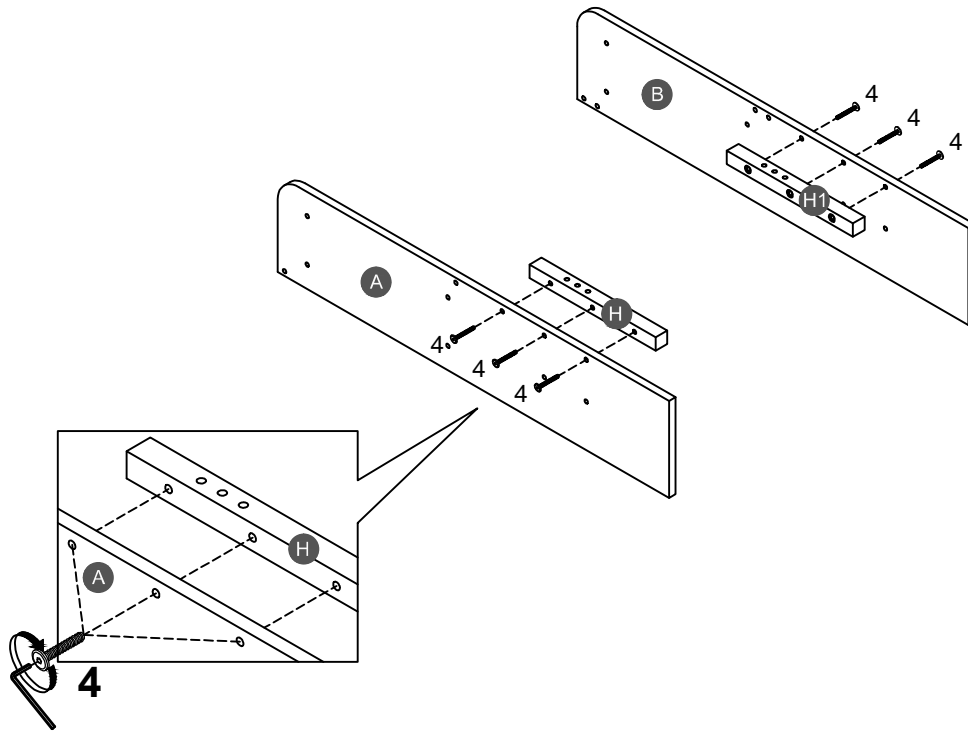
PLEASE BE CAREFUL DO NOT DAMAGE THE HOLE POSITION WHEN YOU USE POWER TOOLS !

STEP 1:

4



6PCS



STEP 2:

3

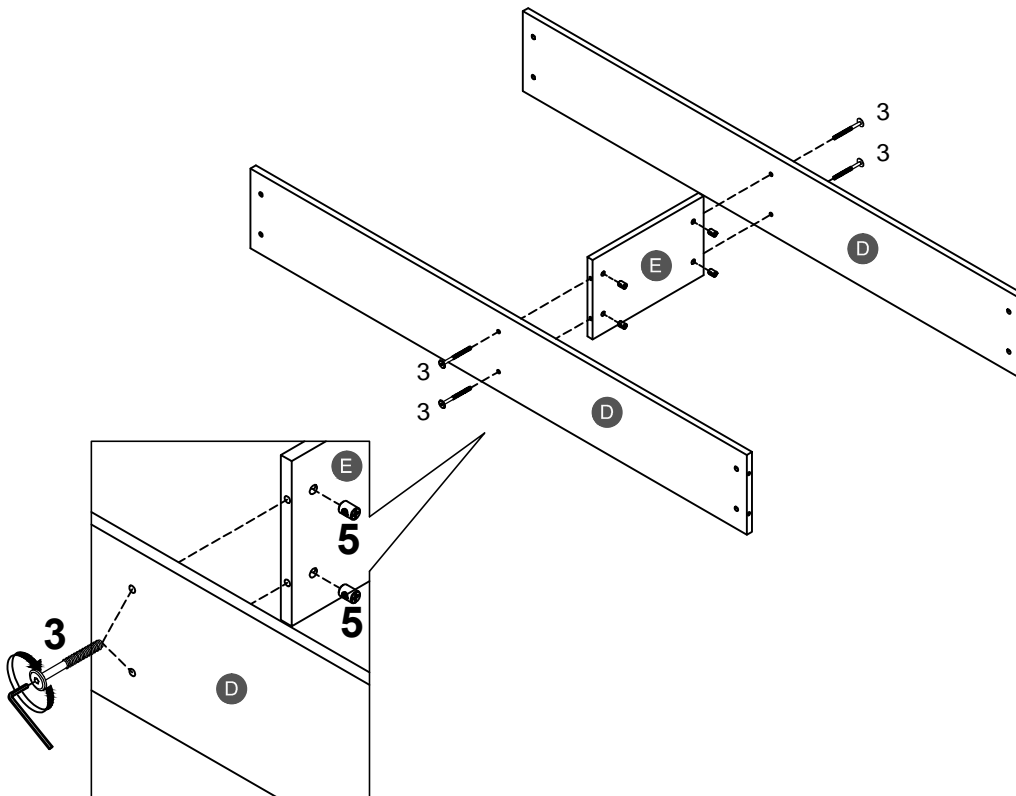


4PCS




5

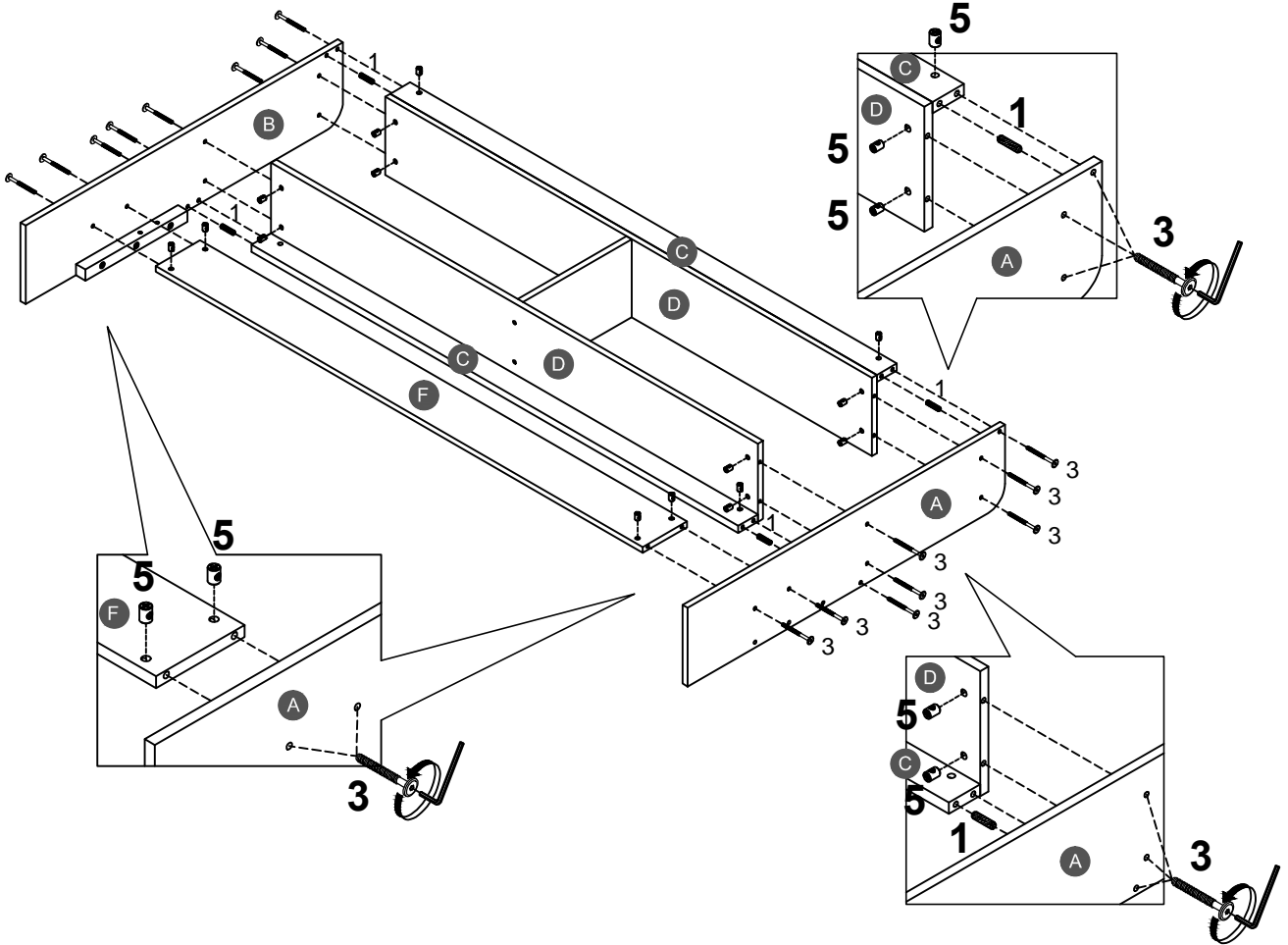


4PCS




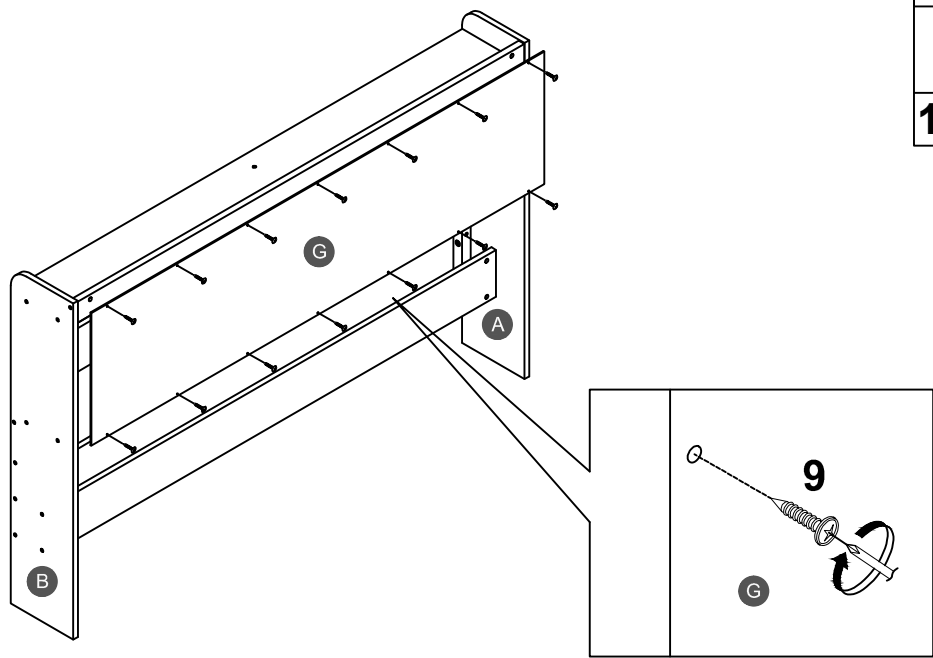
STEP 3:

1		3		5	
4PCS		16PCS		16PCS	

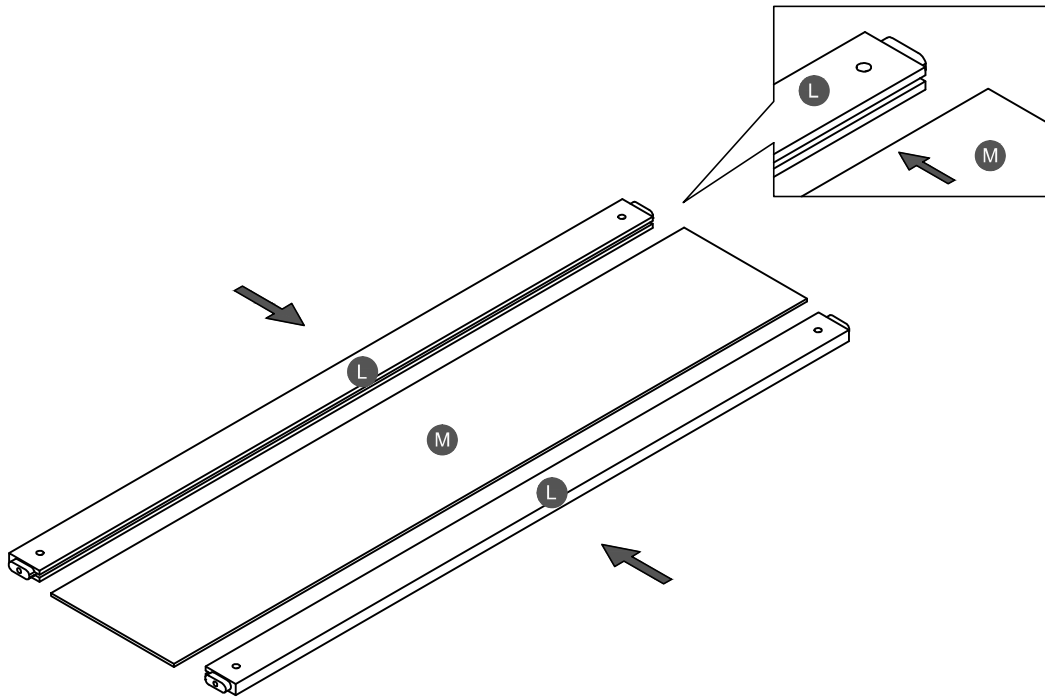


STEP 4:



9	
14PCS	

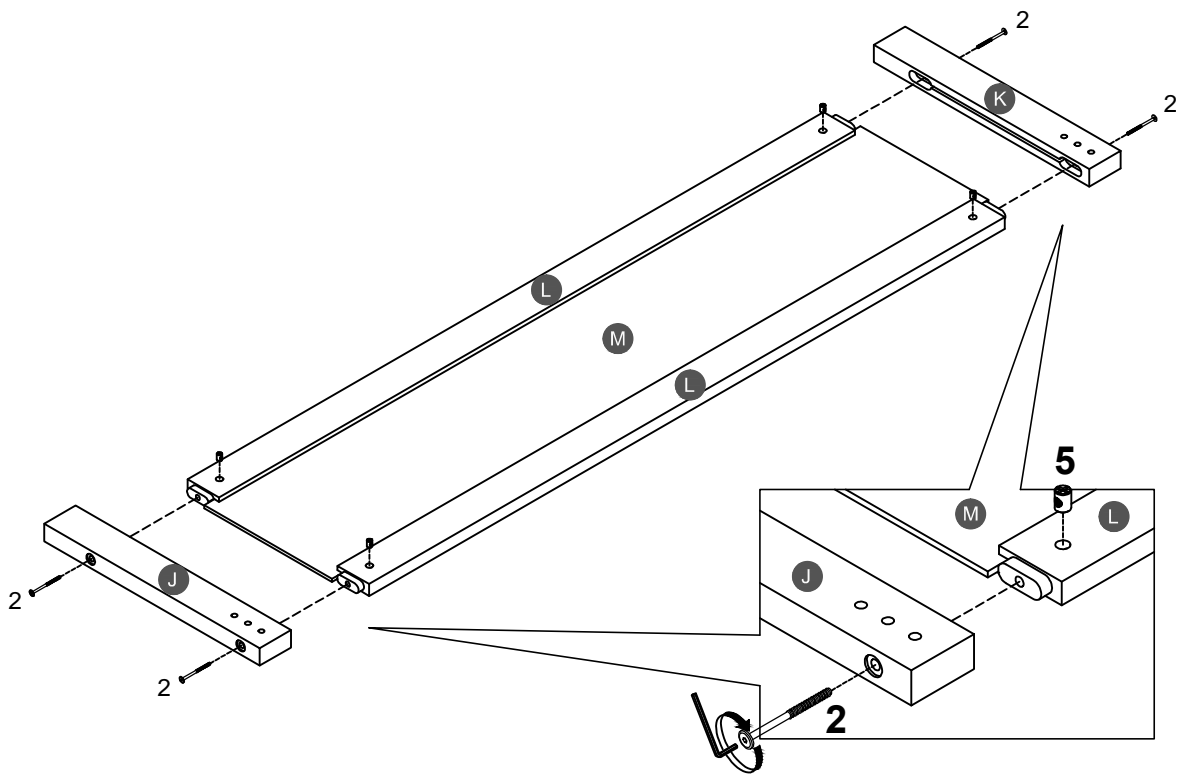


STEP 5:






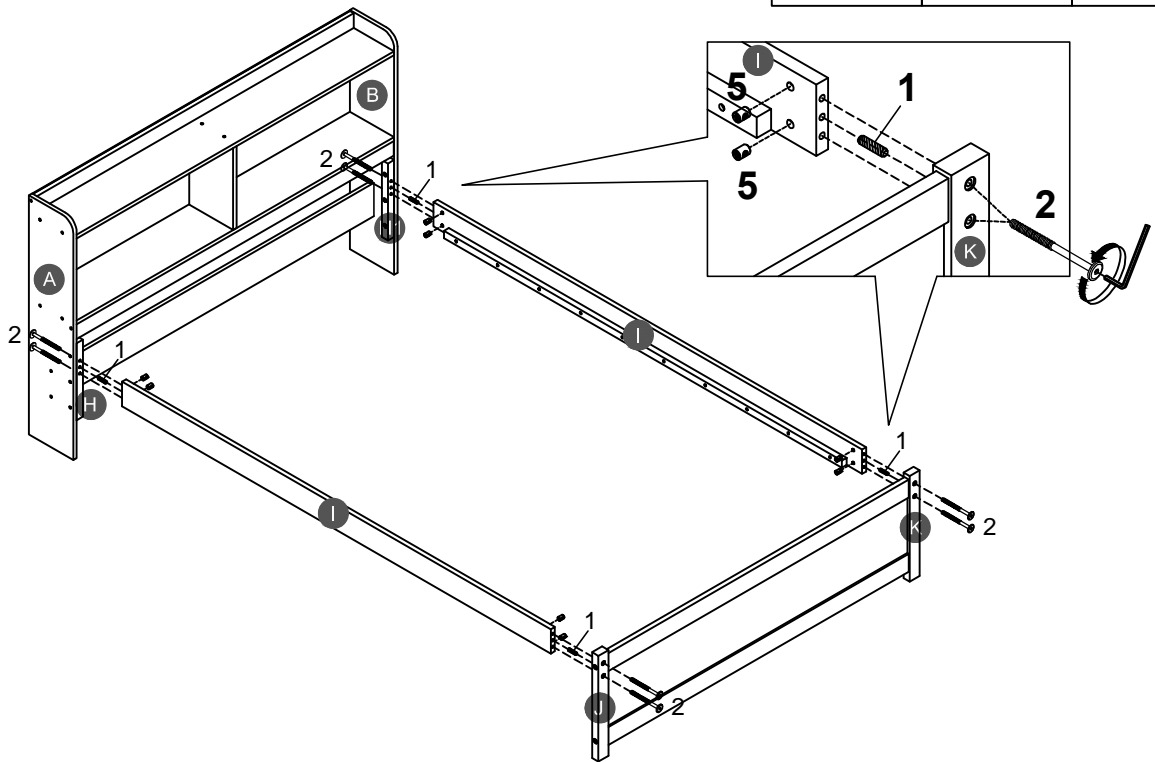
STEP 6:

2		5	
4PCS		4PCS	

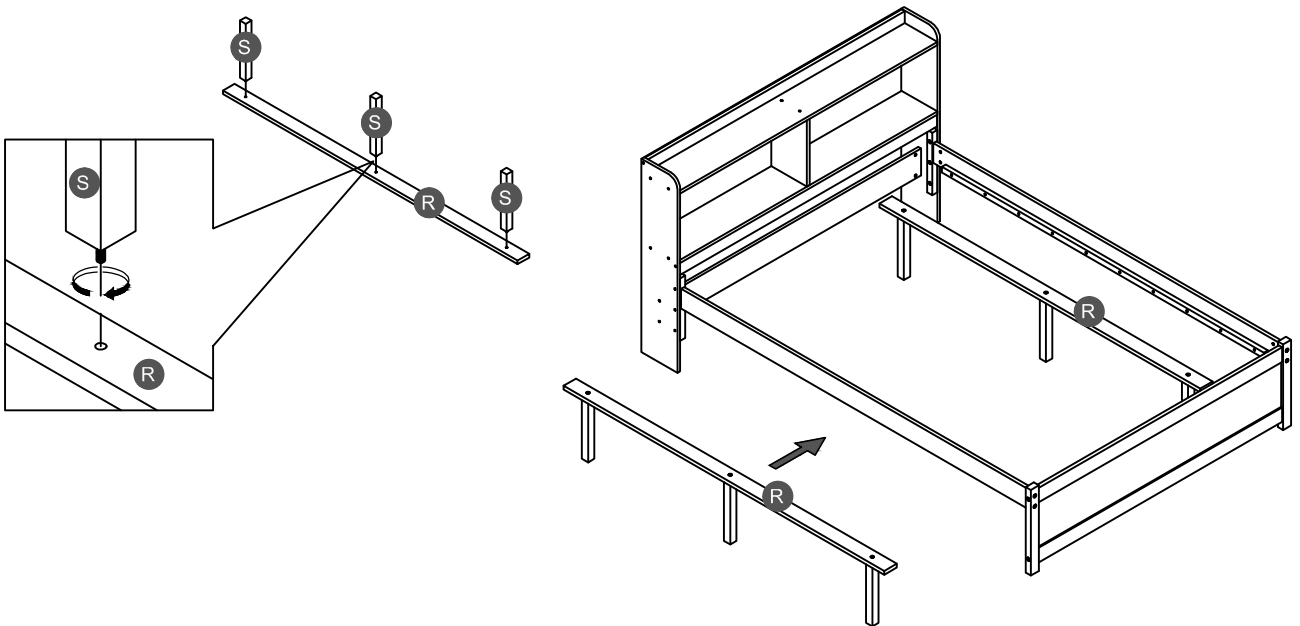


STEP 7:

1		2		5	
4PCS		8PCS		8PCS	

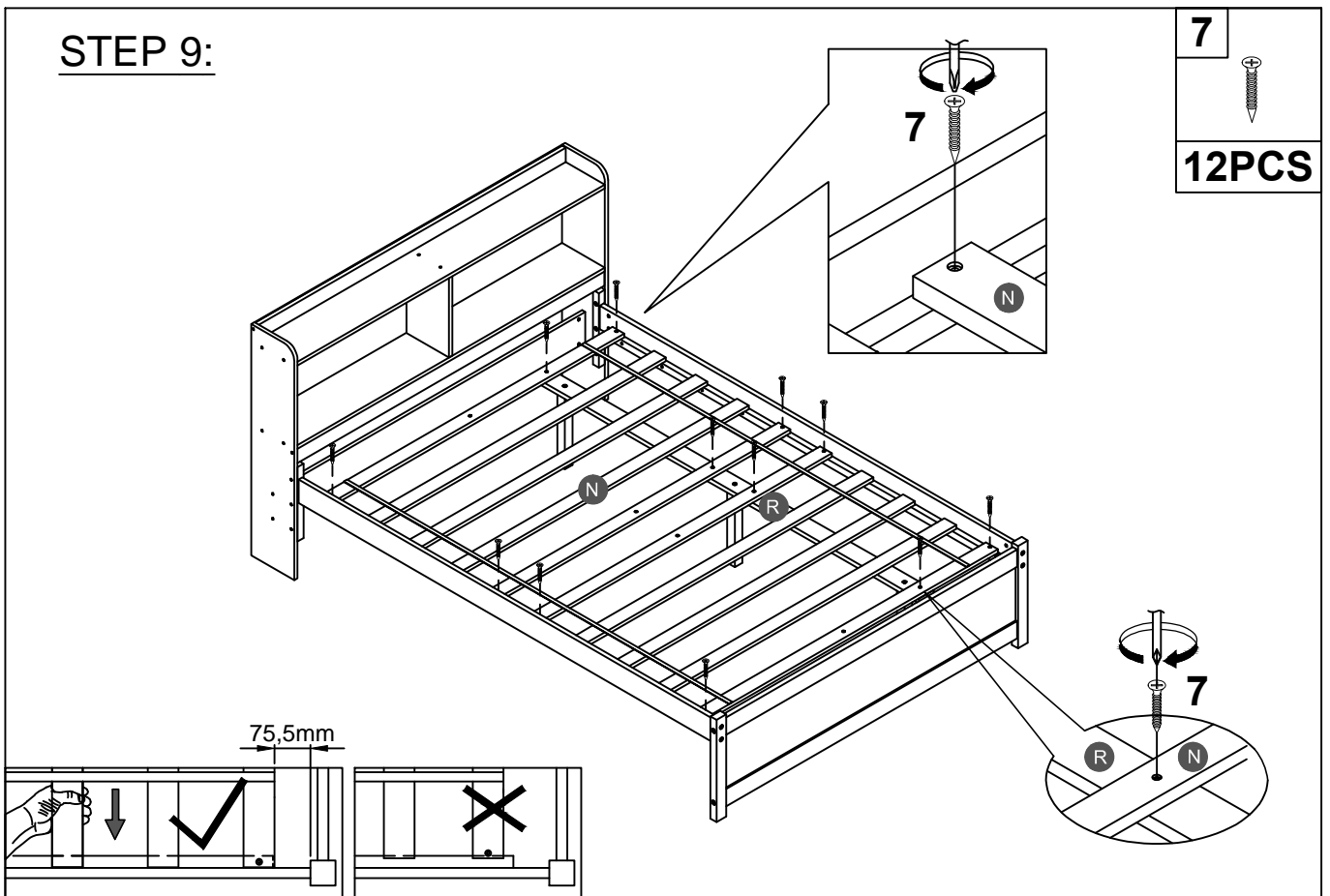


STEP 8:



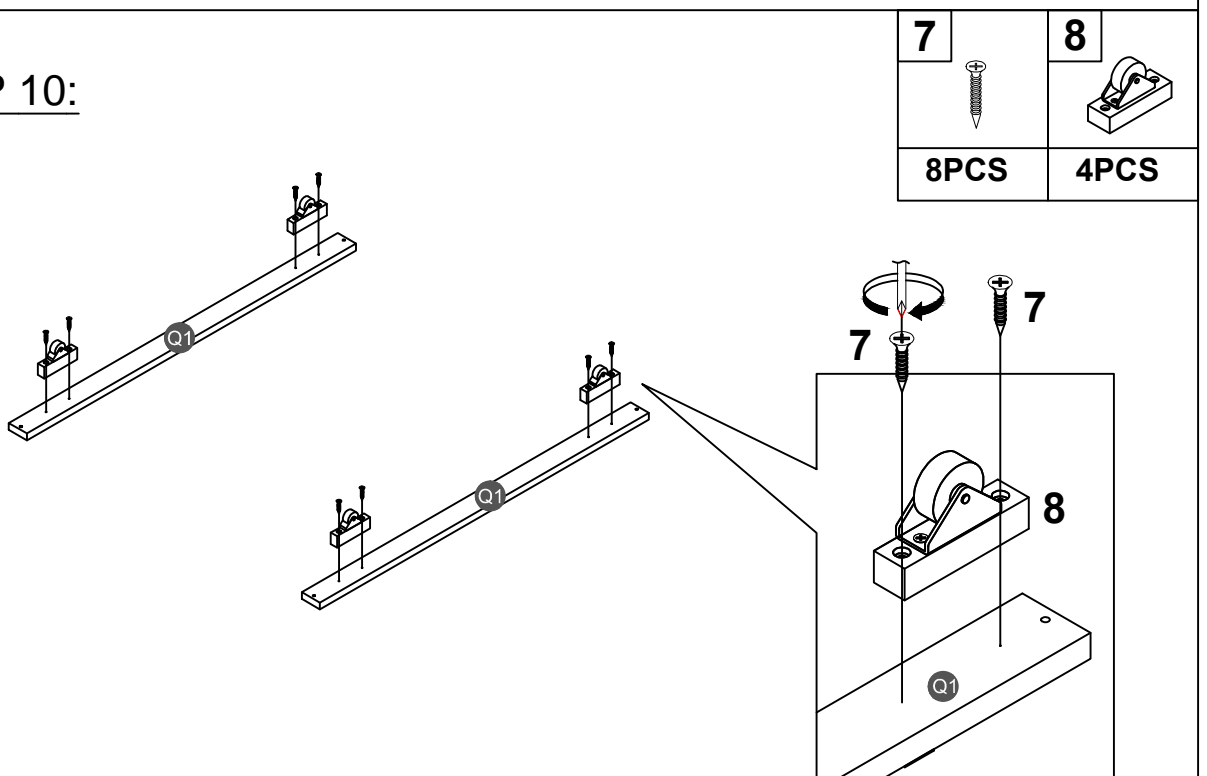
Assembling leg support (S) with lower support slat (R) later rotate, Move support slat inside Full bunkbed.

STEP 9:



Note: Do not lock the screws of the bed slats to the outermost edge of the bed slats, you need to leave a certain space at the edges, otherwise it will cause the board to break. Do not lock the bed slats on the edge of the wood, please hold firmly before screwing, hold it in place with one hand, then lock the screw.

STEP 10:

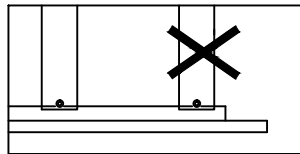
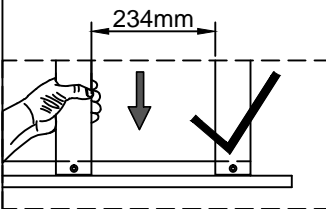
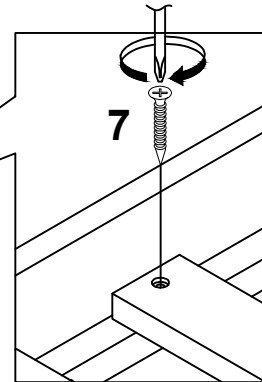
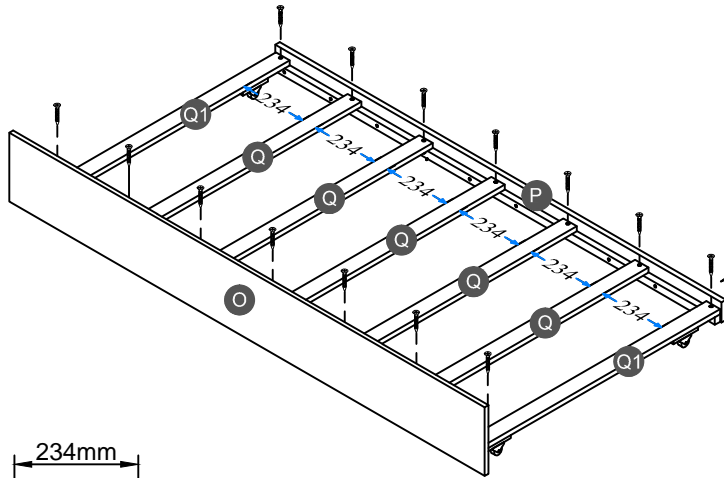


STEP 11:

7



14PCS



Note: Do not lock the screws of the bed slats to the outermost edge of the bed slats, you need to leave a certain space at the edges, otherwise it will cause the board to break.
Do not lock the bed slats on the edge of the wood, please hold firmly before screwing, hold it in place with one hand, then lock the screw.

STEP 12:

10

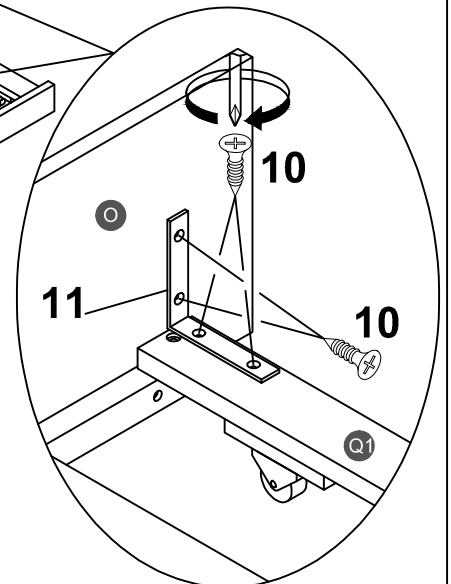
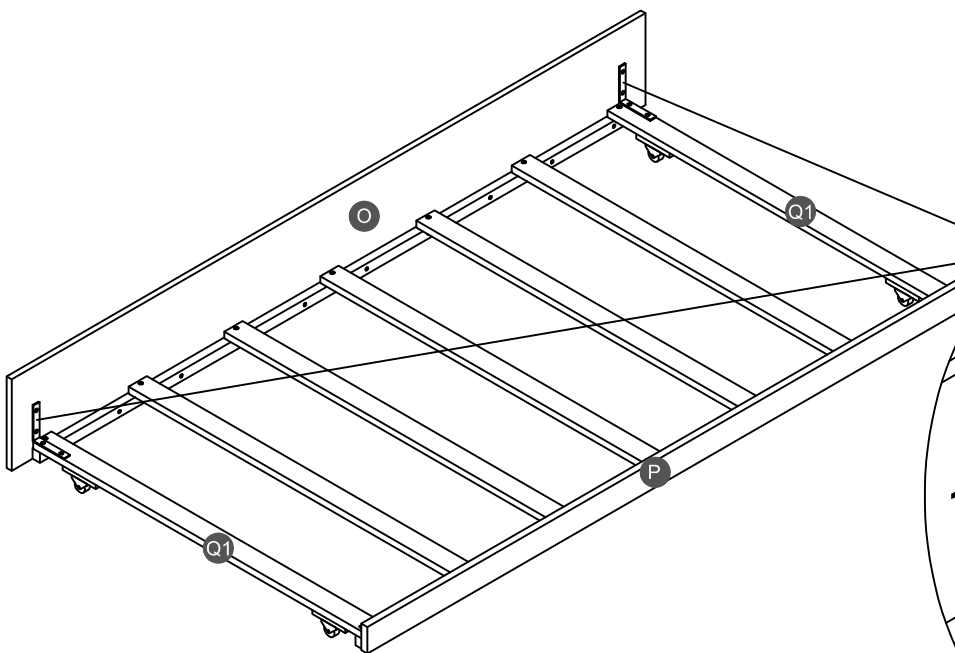


8PCS

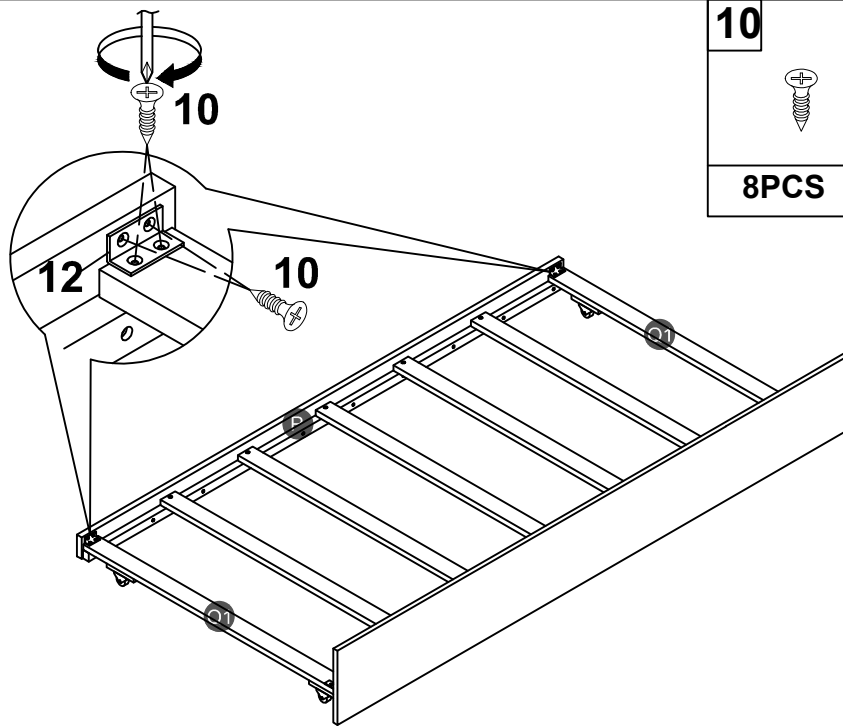
11


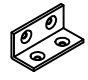


2PCS

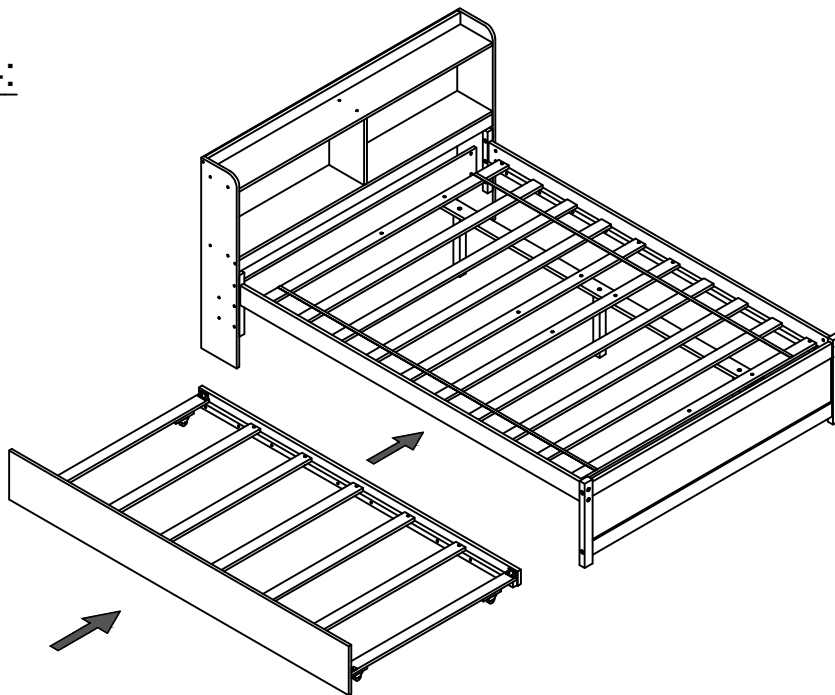


STEP 13:



10	12
	
8PCS	2PCS

STEP 14:



Push Trundle and Drawer under the bottom of Bunkbed.

