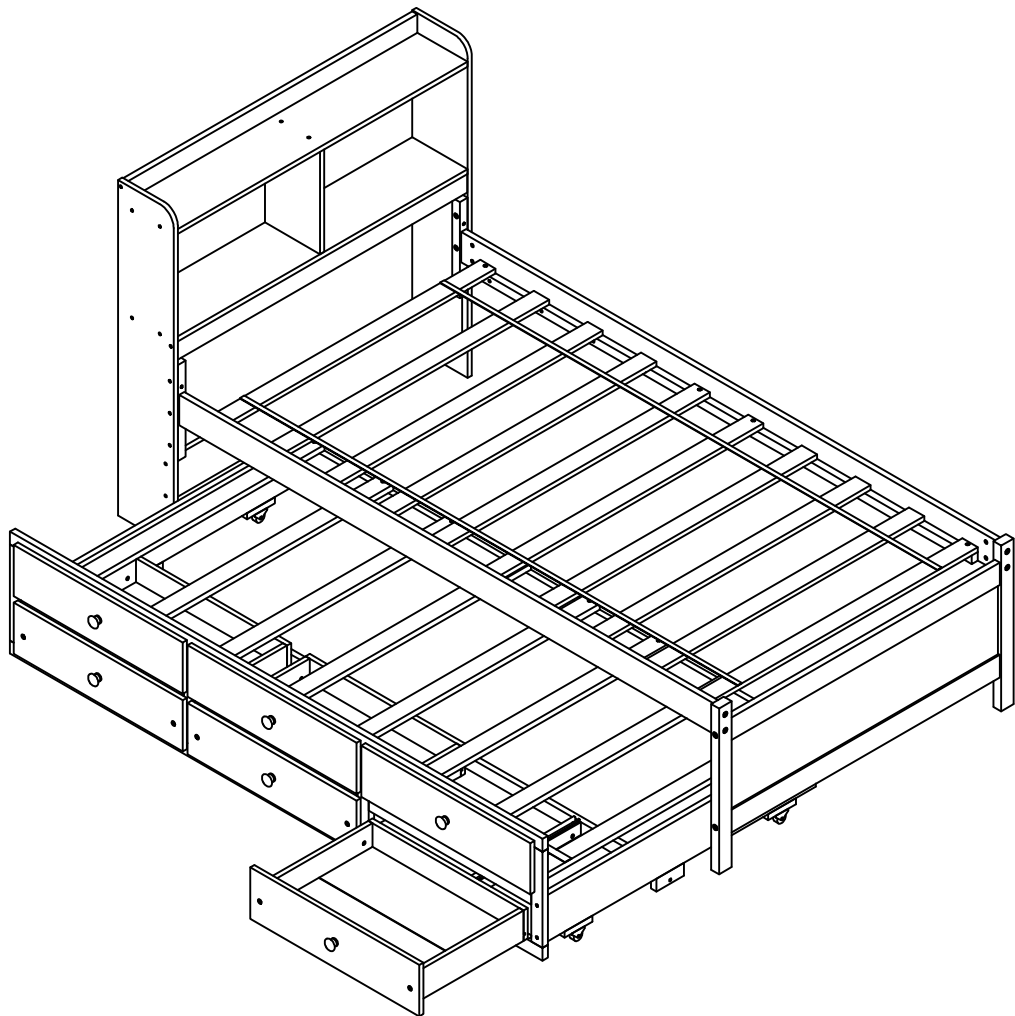


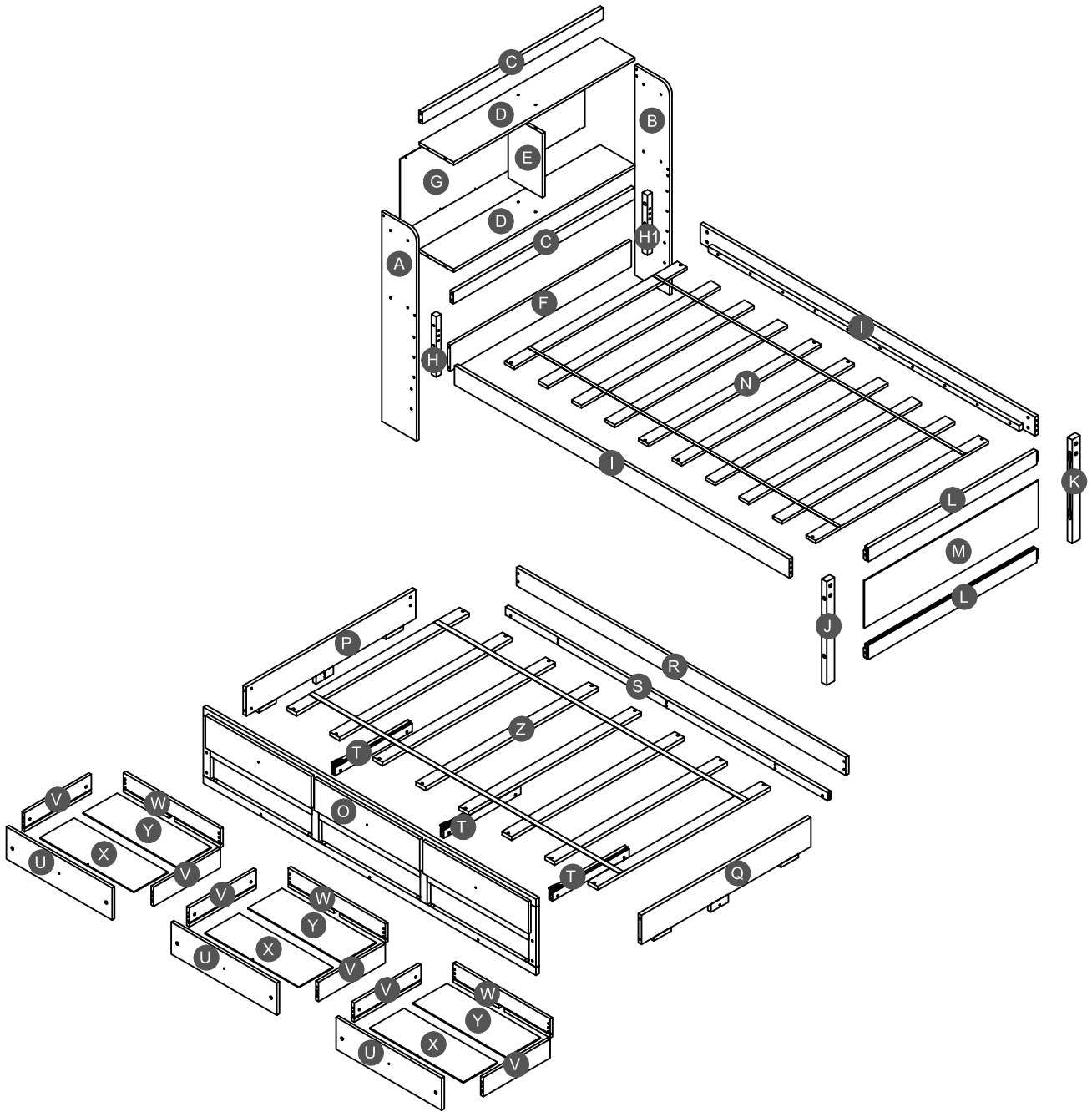
ASSEMBLY INSTRUCTIONS

TWIN BED WITH BOOKCASE (PB) & TRUNDLE & DRAWERS



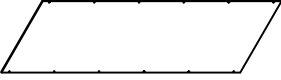
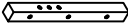
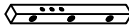

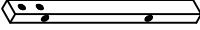

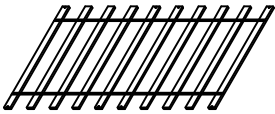




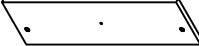

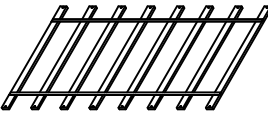
DN33734

Detail View



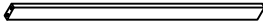


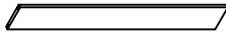


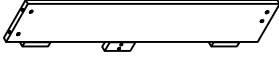
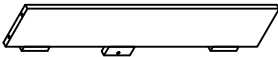
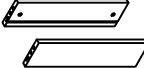

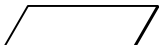


Part List

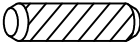
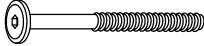
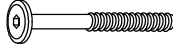





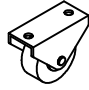




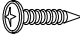
Hardware List DN33734 (1-2)

G  Back panel - 1pc	H  Vertical bar HB (left) - 1pc	H1  Vertical bar HB (right) - 1pc
I  Side rail - 2pcs	J  Leg FB (left) - 1pc	K  Leg FB (right) - 1pc
N  Slats - (1Set = 10pcs)	O  Front panel of trundle - 1pc	R  Back panel side rail of trundle -1pc
S  Support rail of trundle -1pc	T  Support drawer - 3pcs	U  Front drawer panel - 3pcs
W  Back drawer panel - 3pcs	Z  Slats - (1Set = 8pcs)	

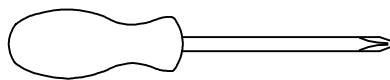
DN33734 (2-2)

A  Panel (left) - 1pc	B  Panel (right) - 1pc	C  HB horizontal - 2pcs
D  Top - Shelf panel - 2pcs	E  Middle panel- 1pc	F  Crossbar-1pc
L  FB horizontal bar - 2pcs	M  Side panel FB - 1pc	P  Left side panel of trundle -1pc
Q  Right side panel of trundle -1pc	V  Left / right drawer panel - 6pcs	X  Drawer bottom - 3pcs
Y  Drawer bottom - 3pcs		

Hardware List DN33734 (1-2)

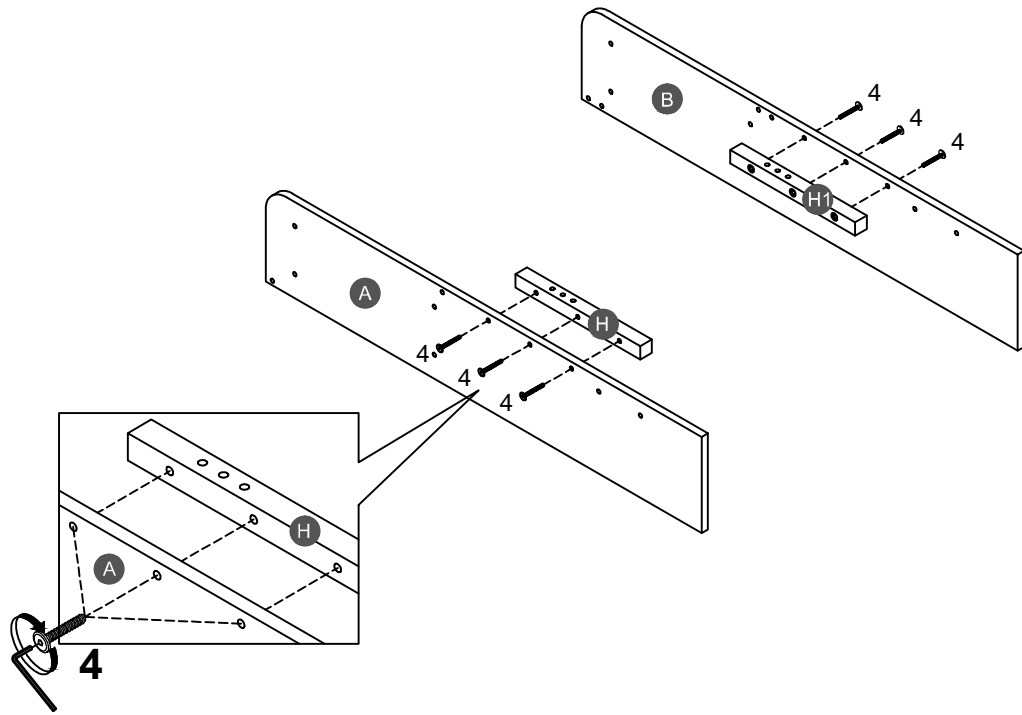
1  Ø8*30mm Wood dowel (34pcs)	2  (Ø15)1/4"*80mm Hex-Head bolts (12pcs)	3  (Ø12)1/4"*60mm Hex-Head bolts (48pcs)
4  (Ø12)1/4"*40mm Hex-Head bolts (6pcs)	5  1/4"*15 (9.5mm) Horizontal-Hole bolts(60pcs)	6  Ø38*31mm Pine Knob (6pcs)
7  3/16"*25mm Ph zinc(Knob) (6pcs)	8  (1/4")4.5*58mm Allen key (1pc)	9  45*20*35mm Caster (4pcs)
10  400*30mm Upper slider drawer (3pcs)	11  Ø3.5*12mm Wood screws (9pcs)	12  Ø3.5*19mm Wood screws (8pcs)
13  Ø4*30mm Wood screws (24pcs)	14  Ø3.5*15mm Wood screws (12pcs)	

ASSEMBLY TOOLS REQUIRED (NOT INCLUDED)



PLEASE BE CAREFUL DO NOT DAMAGE THE HOLE POSITION WHEN YOU USE POWER TOOLS !

STEP 1:

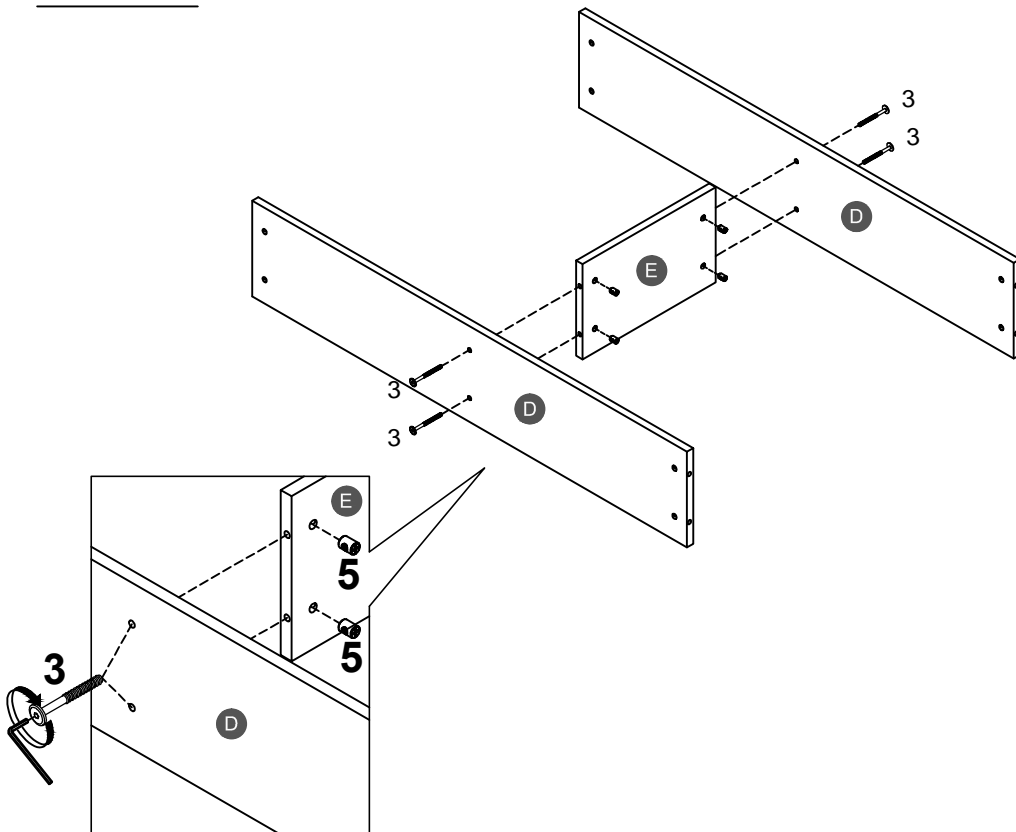


4



6PCS

STEP 2:



3






4PCS

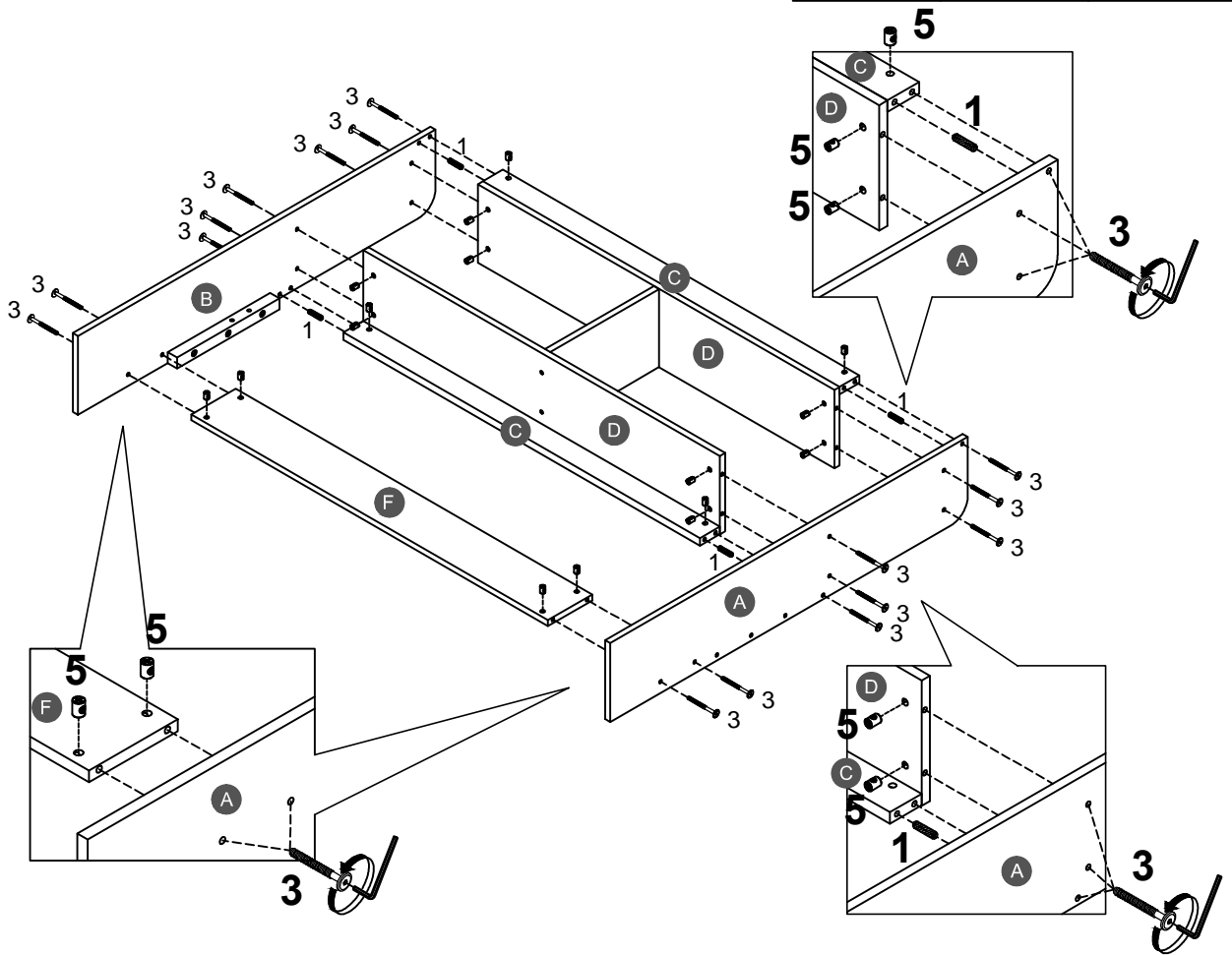
5




4PCS

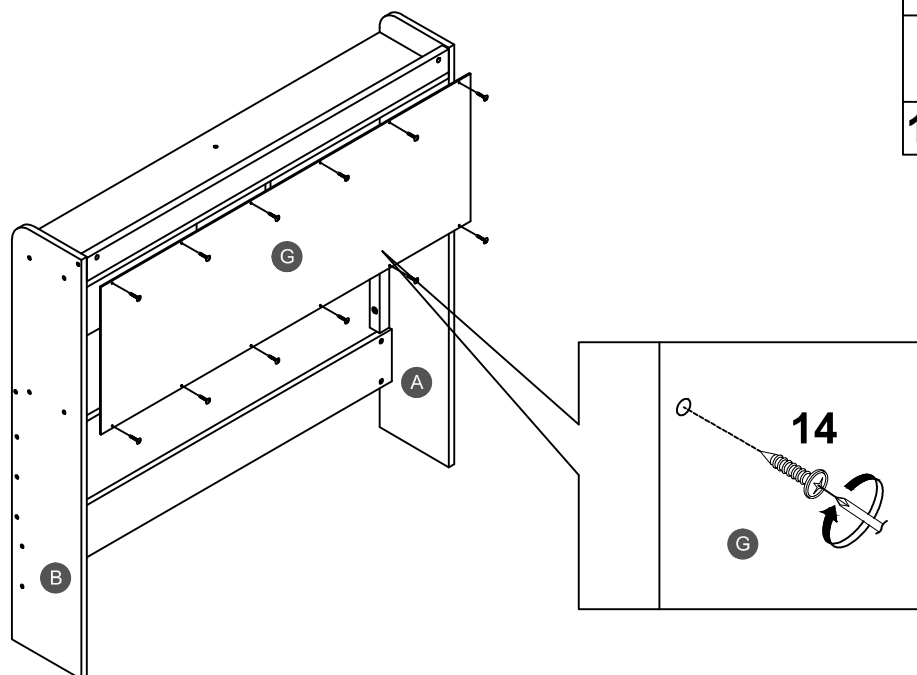
STEP 3:

1		3		5	
4PCS		16PCS		16PCS	

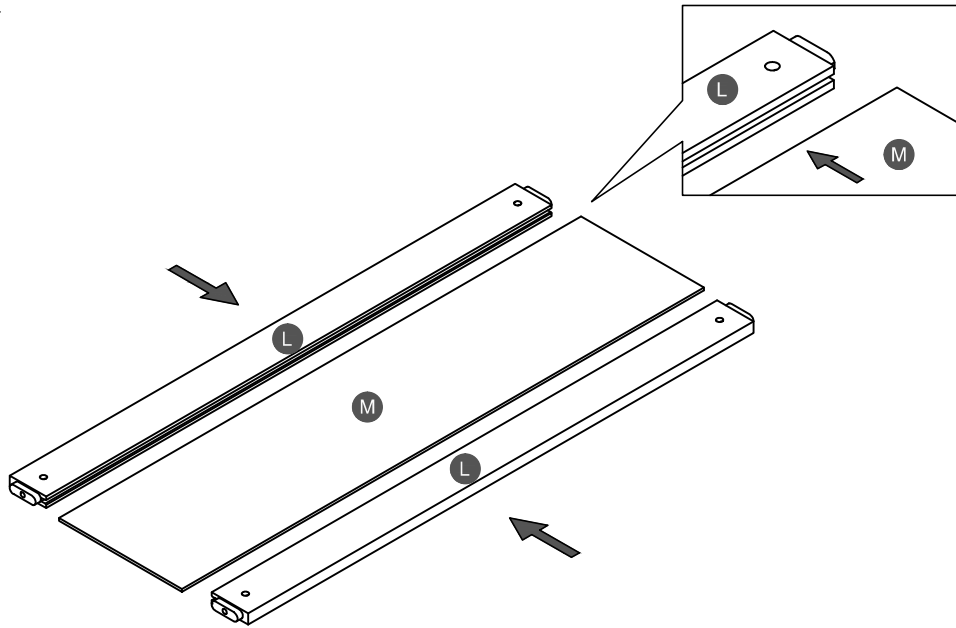


STEP 4:



14	
12PCS	

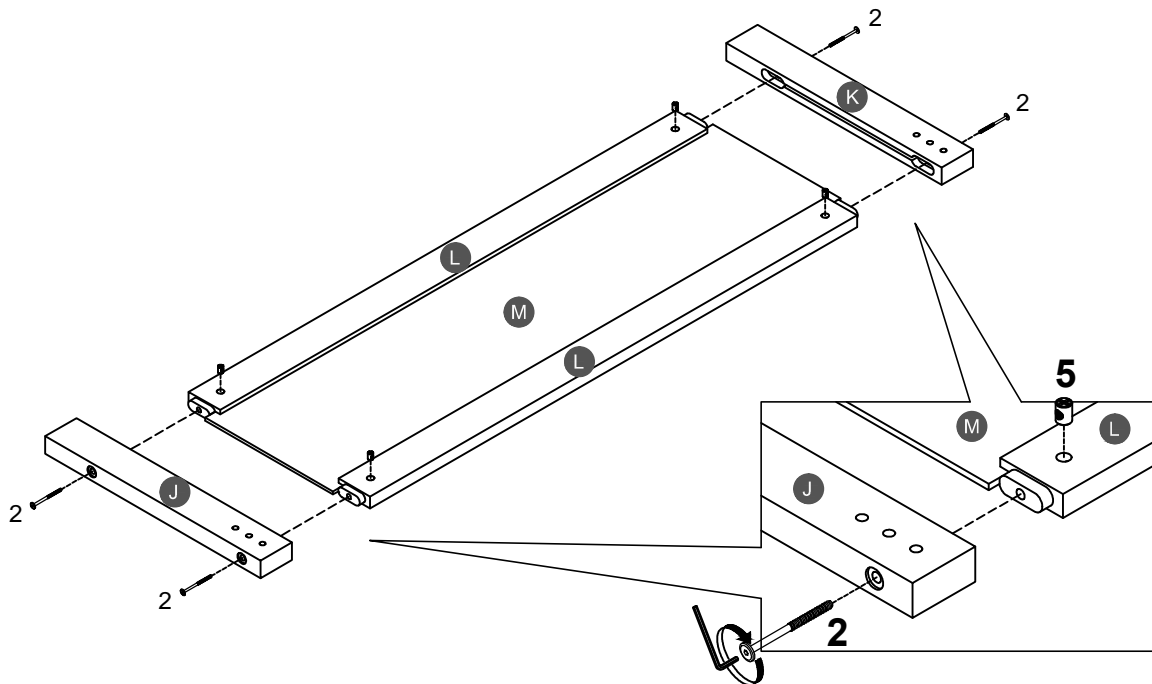


STEP 5:






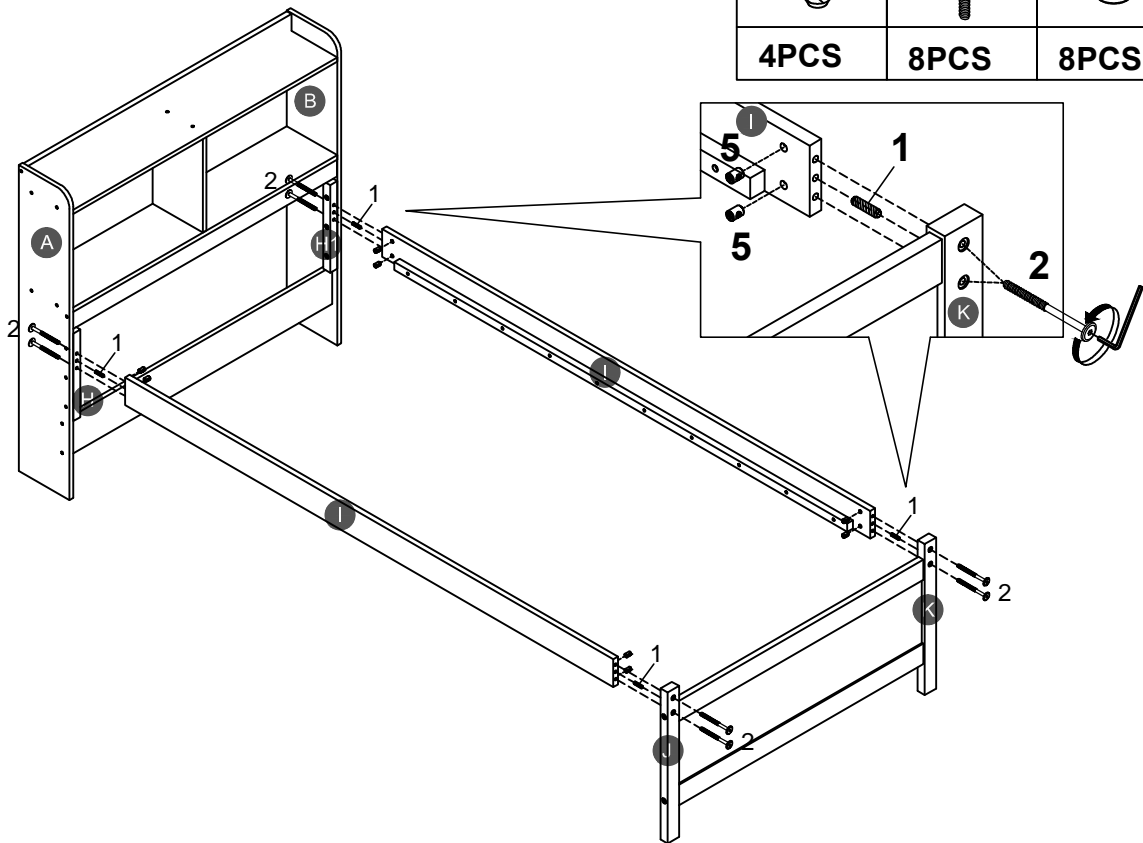
STEP 6:

2		5	
4PCS		4PCS	




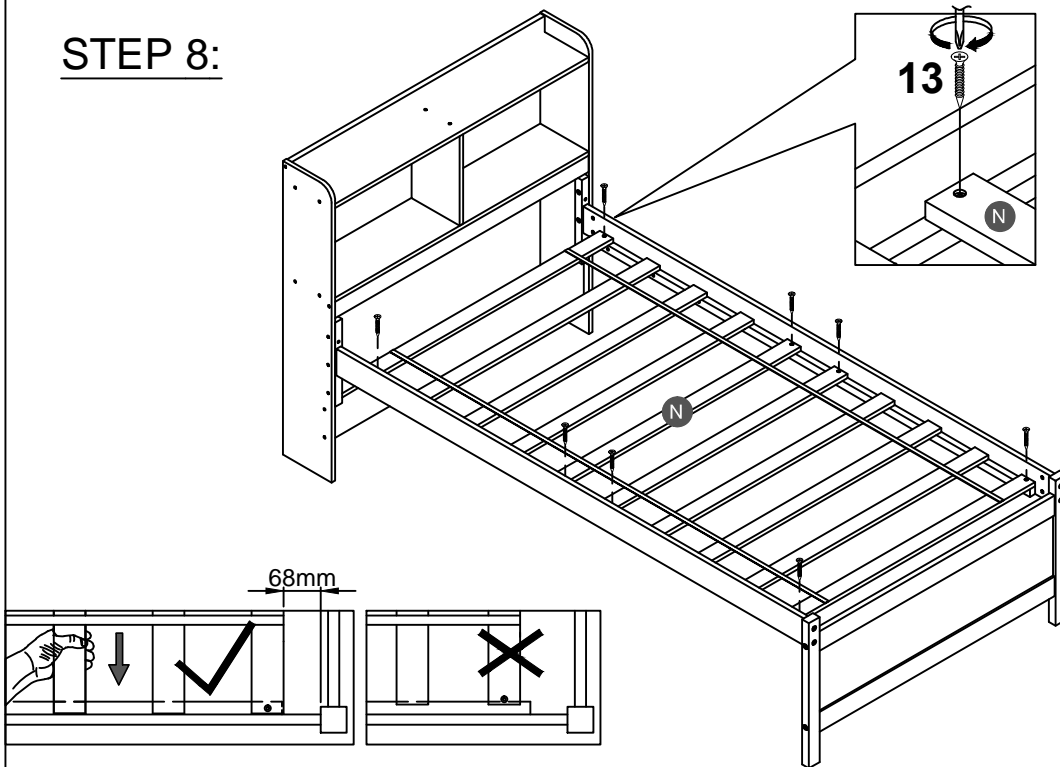
STEP 7:

1		2		5	
4PCS		8PCS		8PCS	





STEP 8:

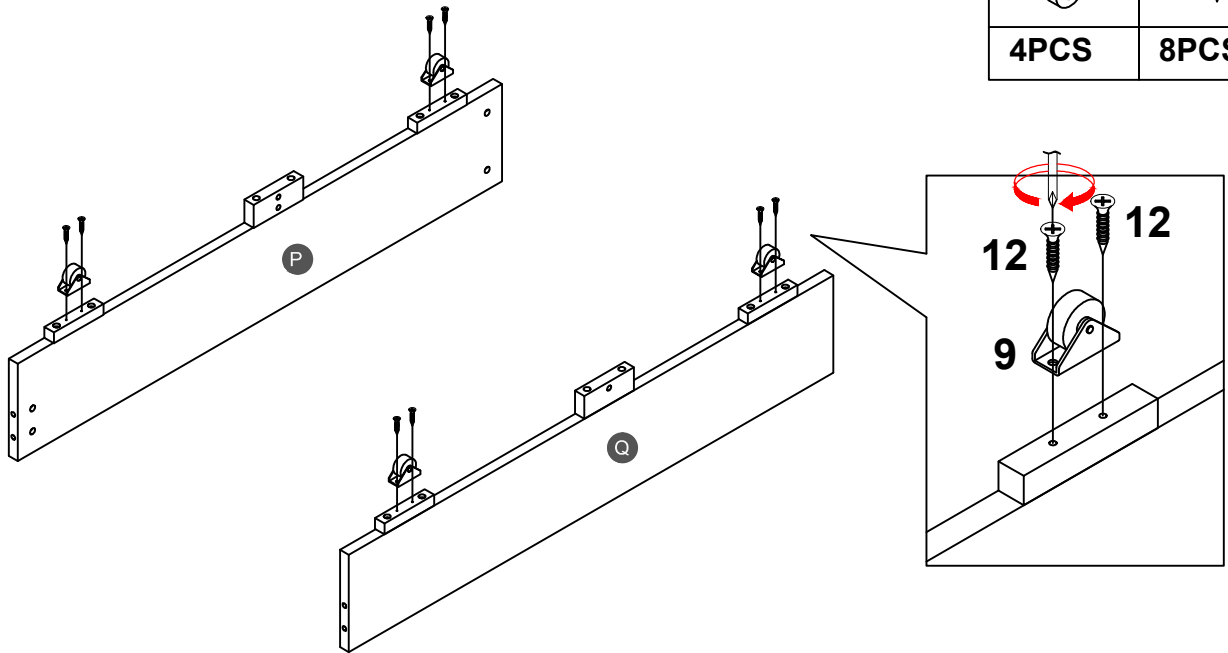
13	
8PCS	






Note: Do not lock the screws of the bed slats to the outermost edge of the bed slats, you need to leave a certain space at the edges, otherwise it will cause the board to break. Do not lock the bed slats on the edge of the wood, please hold firmly before screwing, hold it in place with one hand, then lock the screw.

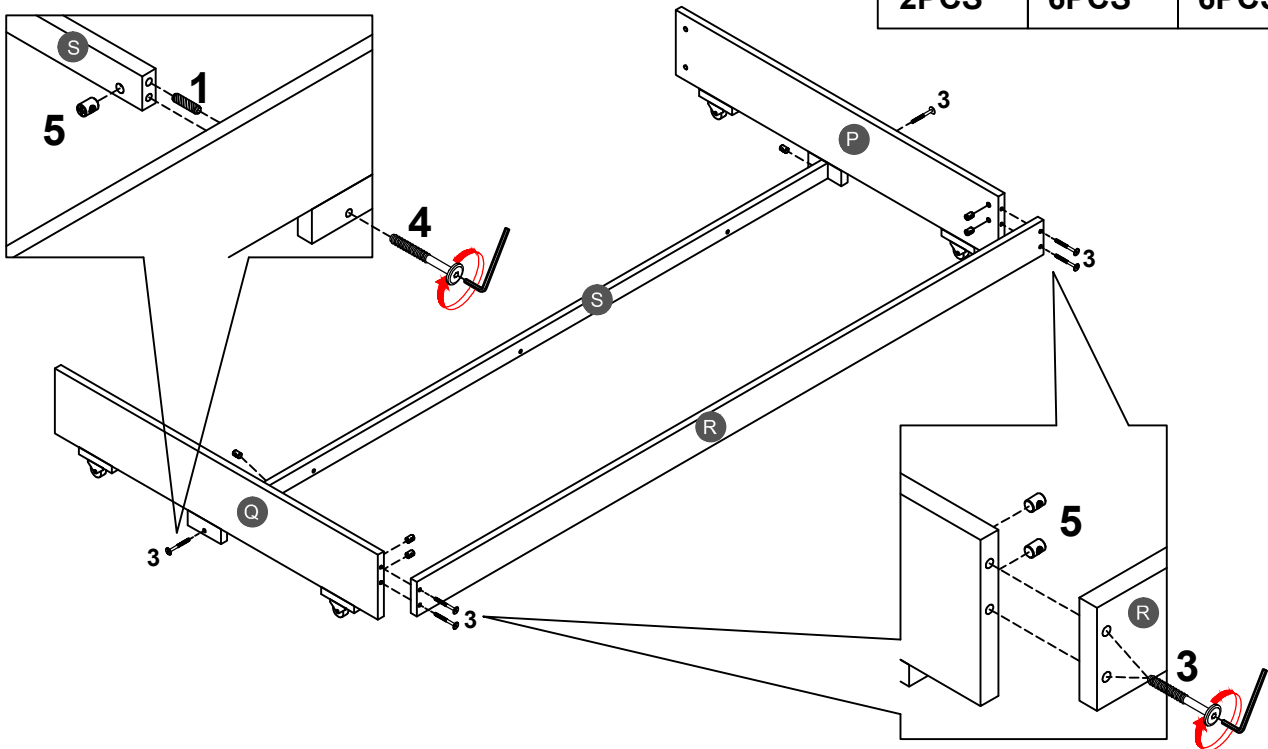
STEP 9:

9	12
	
4PCS	8PCS





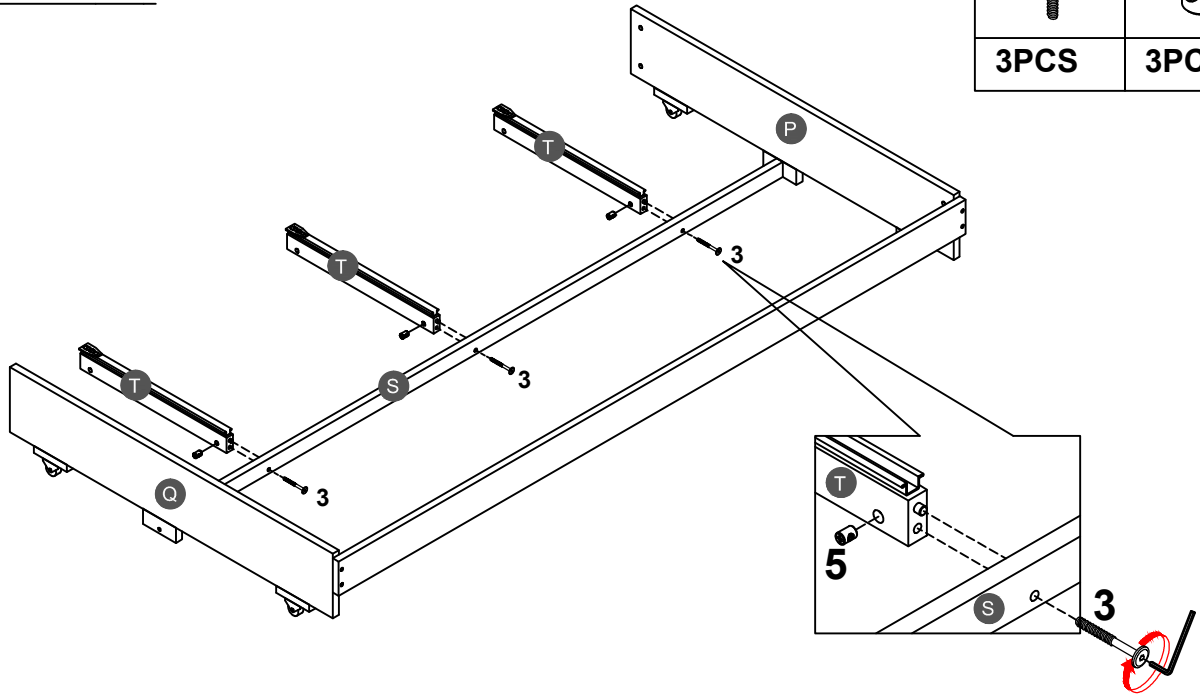
STEP 10:

1	3	5
		
2PCS	6PCS	6PCS





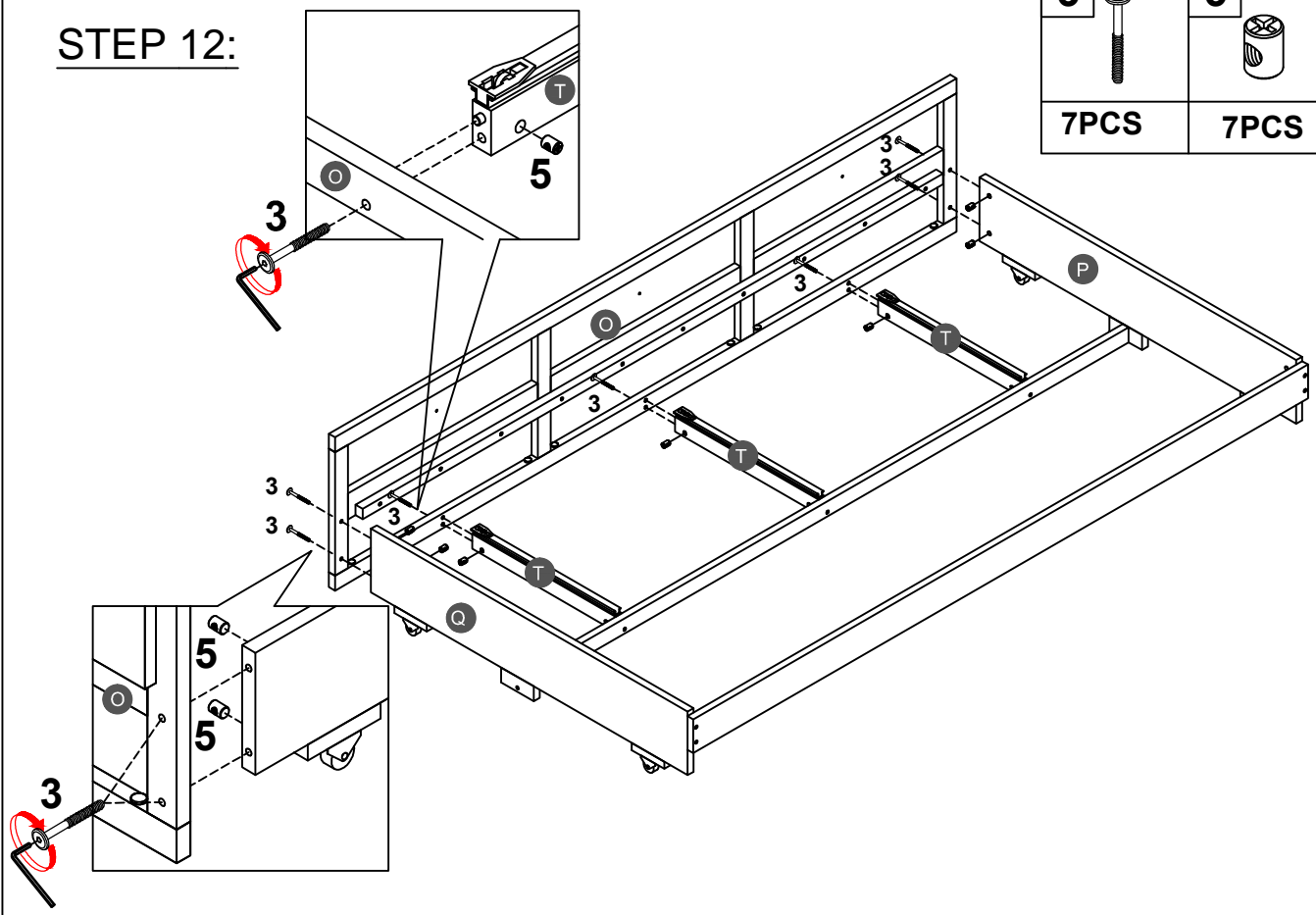
STEP 11:

3		5	
3PCS		3PCS	




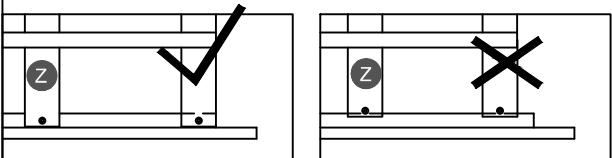
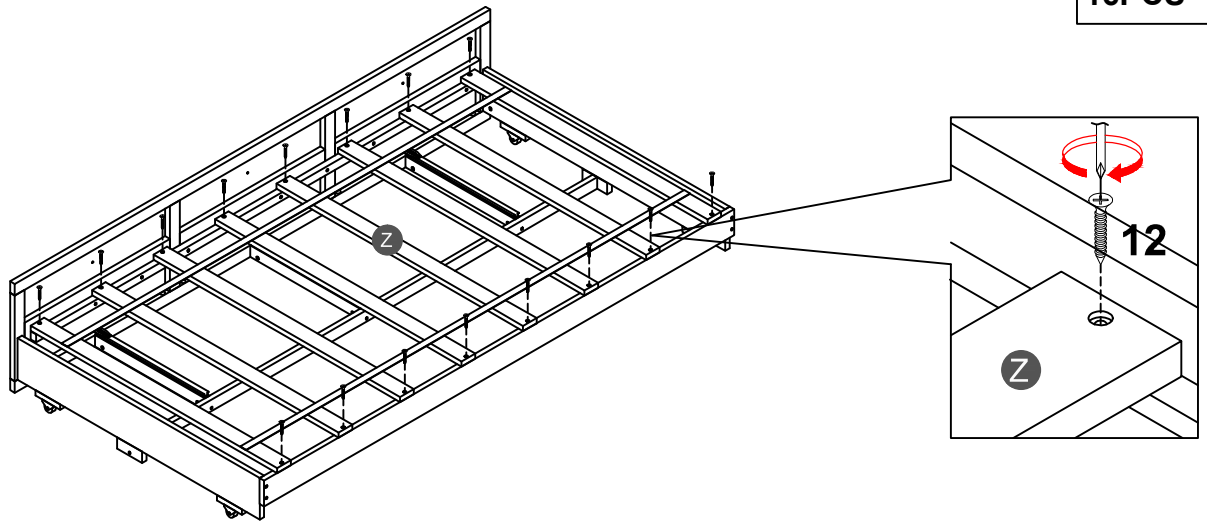
STEP 12:

3		5	
7PCS		7PCS	






STEP 13:

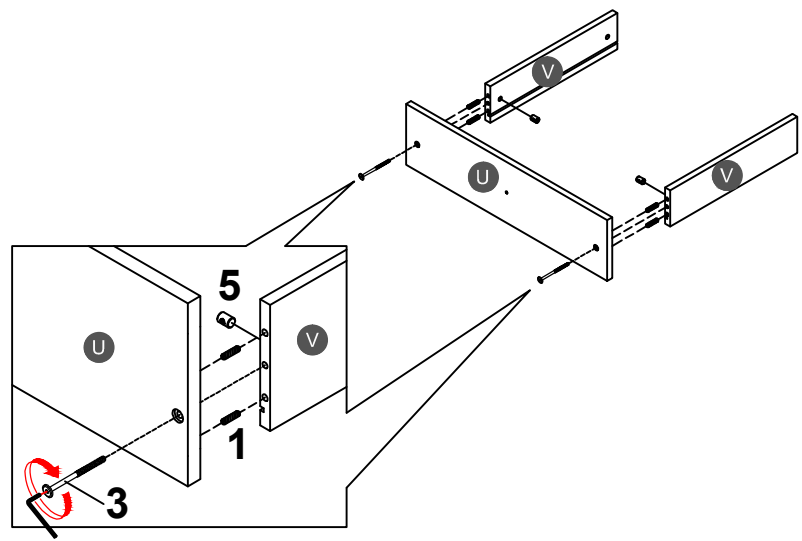
13	
16PCS	



Note: Do not lock the screws of the bed slats to the outermost edge of the bed slats, you need to leave a certain space at the edges, otherwise it will cause the board to break




STEP 14:

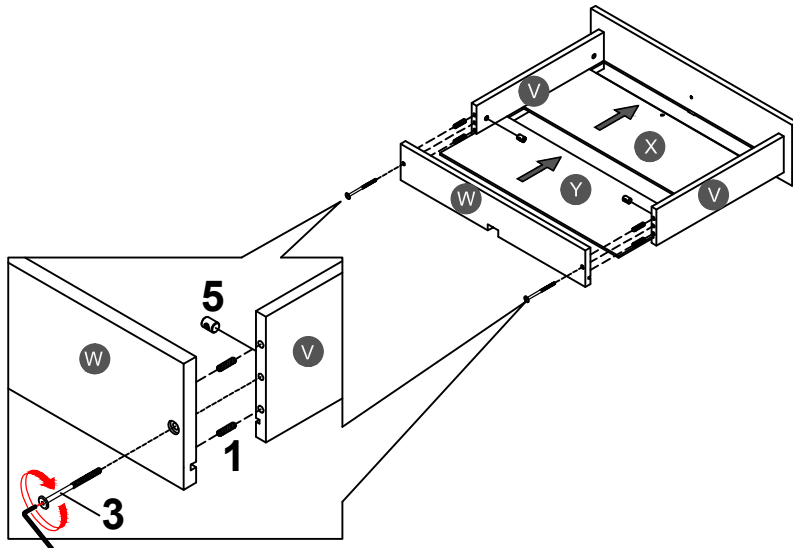
1		5	
12PCS		6PCS	
		3	
		6PCS	



x 3



STEP 15:

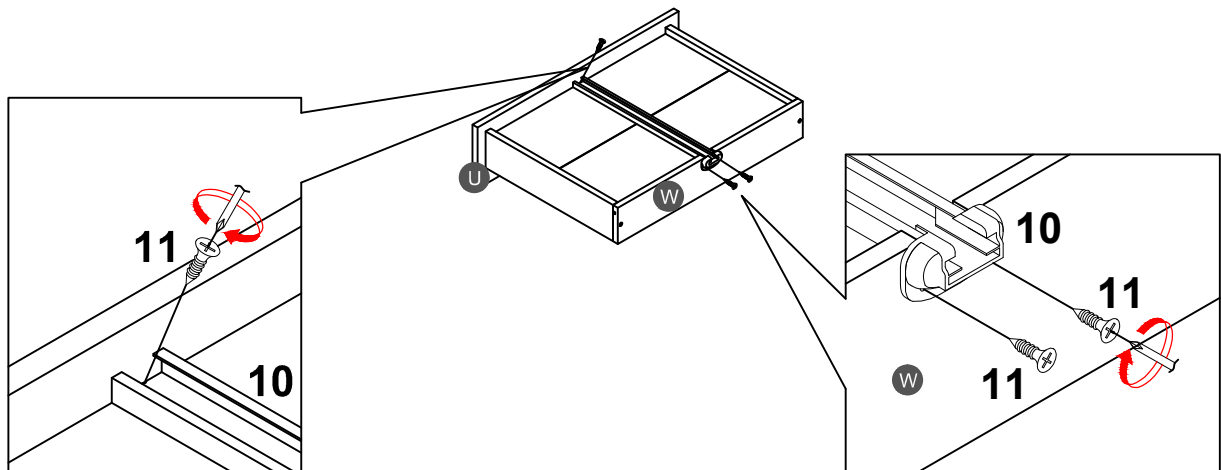
1		5	
12PCS		6PCS	
		3	
		6PCS	



x 3

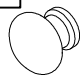

STEP 16:

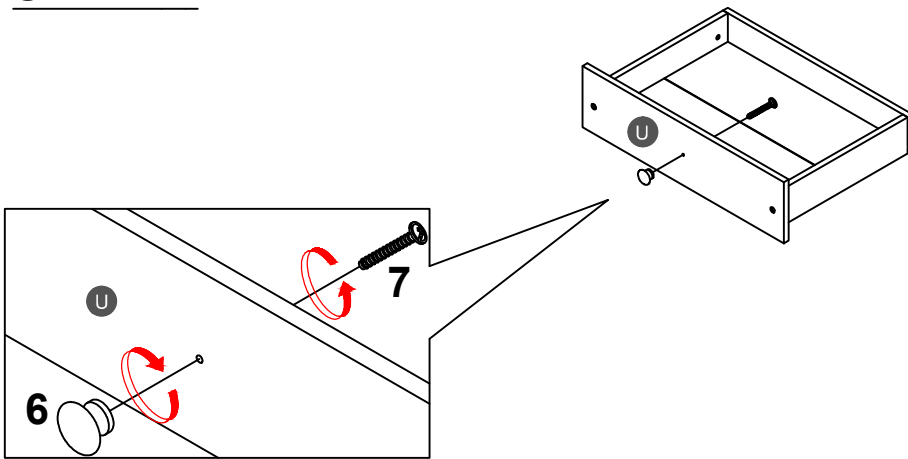
10		11	
3PCS		9PCS	



x 3

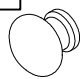

STEP 17:

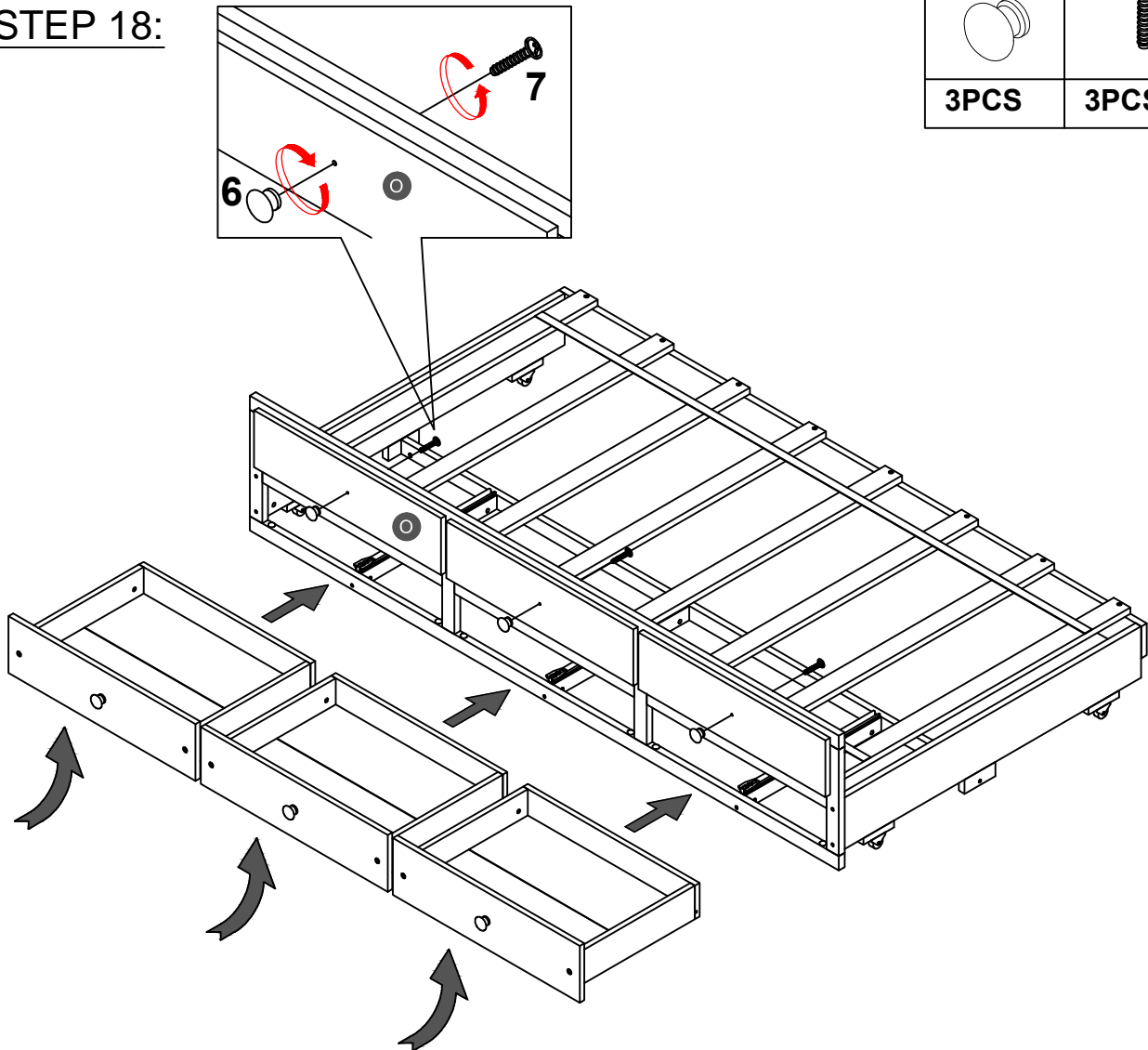
6		7	
3PCS		3PCS	



x 3

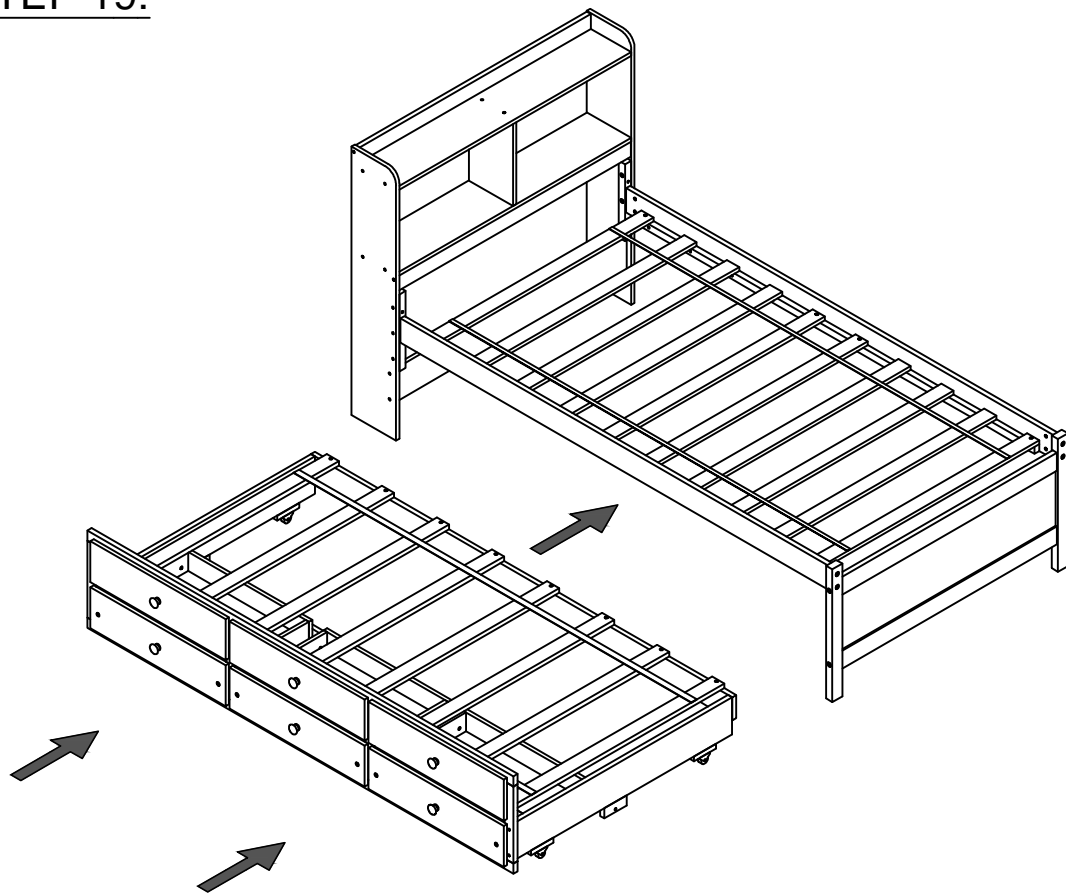
STEP 18:

6		7	
3PCS		3PCS	



Remark: When opening or closing the drawer, Please lift the drawer slightly before opening or closing it.

STEP 19:



Push Trundle under the bottom of Captain bed.

