

ASSEMBLY INSTRUCTIONS

LOFT BED FULL W/DESK, LADDER, SHELVES



DN11726



SAFETY WARNING



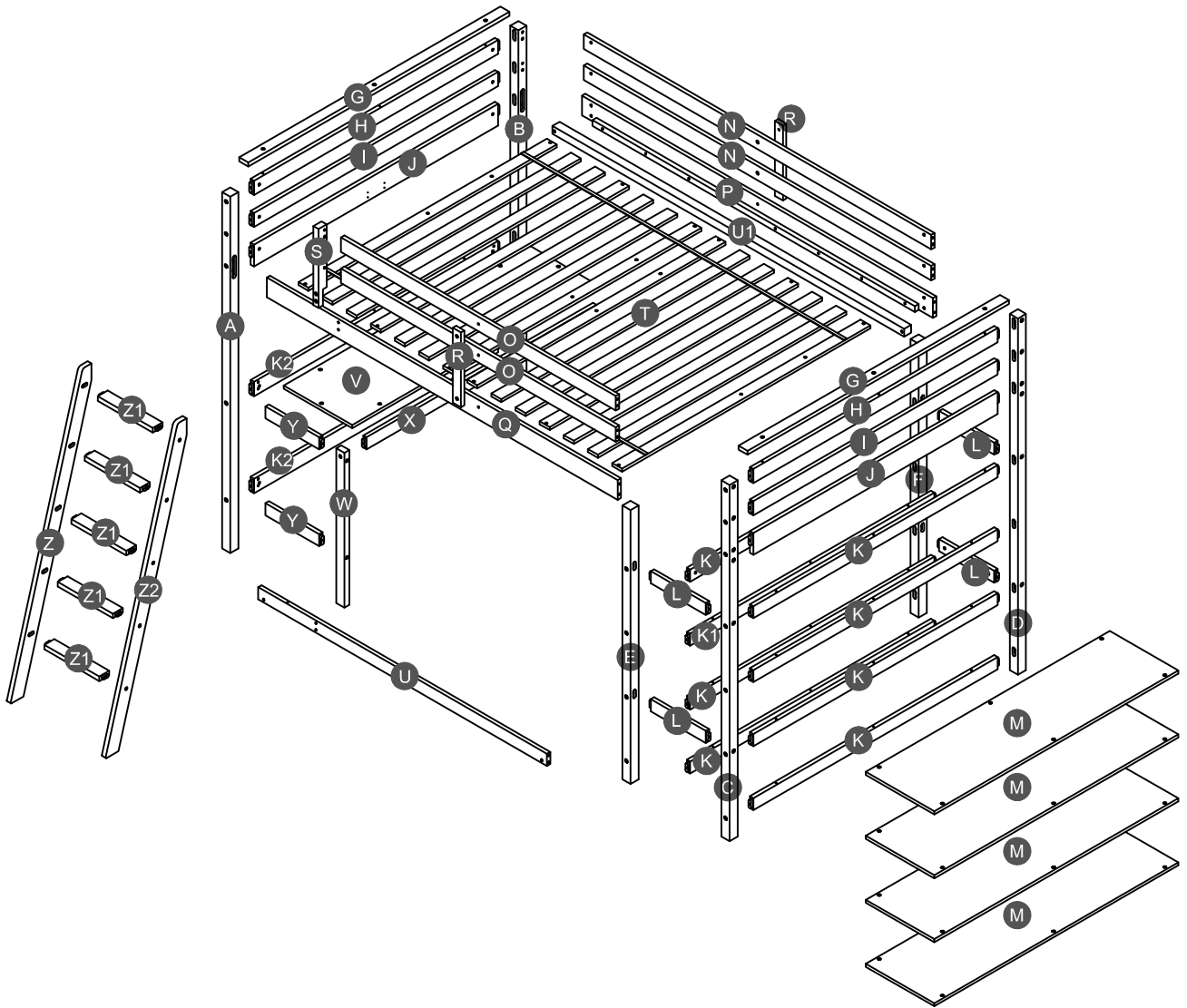
1. This bed is designed for use only mattress (es) meeting the following specifications on the loft bed:

Up bed (Bunk bed and tribed included)

Bed type	Length	With	Thickness
Full Standard	74"-75"	54"	6" max

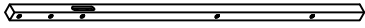
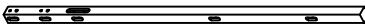
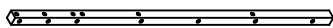
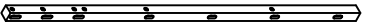
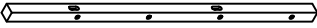

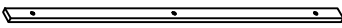




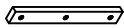

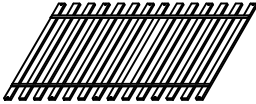
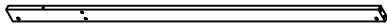
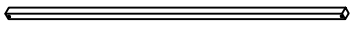
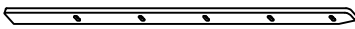
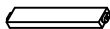
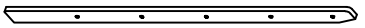
2. Replacement parts, including additional guardrails, maybe obtained from any of our (GIGACLOUD TECHNOLOGY (USA) INC.) dealers
3. Follow the information on the warnings appearing on the loft bed. end structure and on the carton. Do not remove warning label from bed.
4. Always use the recommended size mattresses or mattress supports, or both, to help prevent the likelihood of entrapment or falls.
5. Surface of mattress must be at least 5" (127mm) below the upper edge of guardrails.
6. Do not allow children under 6 years of age to use the loft bed.
7. Periodically check and ensure that the guardrail, ladder, and other components are in their proper position, free from damage, and that all connectors are tight.
8. Do not allow horseplay on or under the bed and prohibit jumping on the bed.
9. Always use the ladder for entering and leaving the loft bed.
10. Do not use substitute part. Contact the manufacture or dealer for replacement part.
11. Use of a night light may provide added safety precaution for a child using the loft bed.
12. Always use guardrails on both long sides of the loft bed. If the loft bed will be placed next to the wall, the guardrail that runs the full length of the bed should be placed against the wall to prevent entrapment between the bed and wall.
13. The use of water or sleep flotation mattresses is prohibited.
14. STRANGULATION HAZARD - Never attach or hang items to any part of the loft bed that are not designed for use with the bed; for example, but not limited to, hook, belts and jump ropes.
15. Keep these instruction for future reference.

Detail View



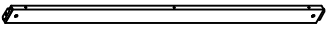
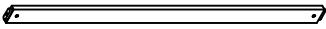
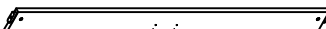


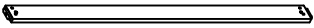
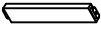
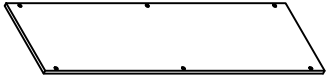



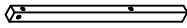
Part List

Hardware List DN11726 (1-2)



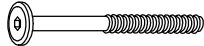






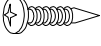

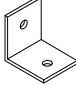
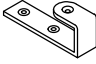


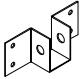


<p>A</p>  <p>Leg (Left front) - 1pc</p>	<p>B</p>  <p>Leg (Left back) - 1pc</p>	<p>C</p>  <p>Leg (Right front) - 1pc</p>
<p>D</p>  <p>Leg (Right back) - 1pc</p>	<p>E</p>  <p>Leg short (Front) - 1pc</p>	<p>F</p>  <p>Leg short (Back) - 1pc</p>
<p>G</p>  <p>Cap for upper HB-FB - 2pcs</p>	<p>N</p>  <p>Long guard rail (back) - 2pcs</p>	<p>O</p>  <p>Short guard rail (front) - 2pcs</p>
<p>P</p>  <p>Side rail (back) -1pc</p>	<p>Q</p>  <p>Side rail (front) -1pc</p>	<p>R</p>  <p>Vertical guard rail - 2pcs</p>
<p>S</p>  <p>Support guard rail (Left) -1pc</p>	<p>T</p>  <p>Slat - 1set = 14 pcs</p>	<p>U</p>  <p>Lower horizontal bar (Back) - 1pc</p>
<p>U1</p>  <p>Lower support slat - 1pc</p>	<p>Z</p>  <p>Left side ladder - 1pc</p>	<p>Z1</p>  <p>Step ladder - 5pcs</p>
<p>Z2</p>  <p>Right side ladder - 1pc</p>		

Part List

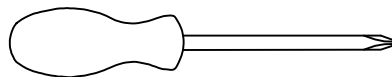
DN11726 (2-2)

<p>H</p>  <p>Horizontal bar HB-FB - 2pcs</p>	<p>I</p>  <p>Horizontal bar HB-FB - 2pcs</p>	<p>J</p>  <p>Horizontal bar HB-FB - 2pcs</p>
<p>K</p>  <p>Horizontal bar FB - 7pcs</p>	<p>K1</p>  <p>Horizontal bar FB - 1pc</p>	<p>K2</p>  <p>Lower horizontal bar HB - 2pcs</p>
<p>L</p>  <p>Short horizontal bar HB - 4pcs</p>	<p>M</p>  <p>Shelf - 4pcs</p>	<p>V</p>  <p>Top panel - 1pc</p>
<p>X</p>  <p>Lower horizontal bar - 1pc</p>	<p>Y</p>  <p>Lower horizontal bar (Front) - 2pcs</p>	<p>W</p>  <p>Leg short - 1pc</p>

Hardware List DN11726 (1-2)

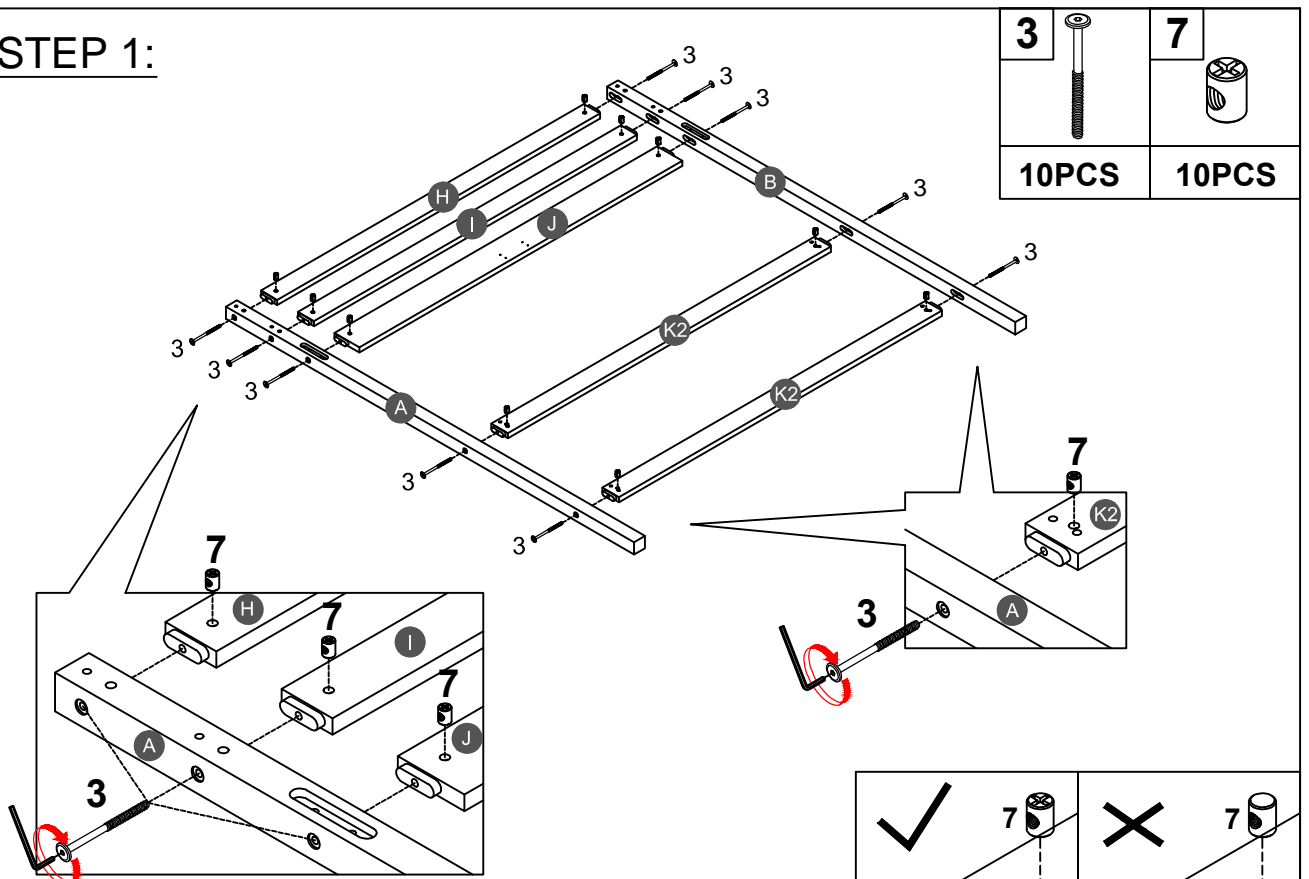
1	 Ø8*30mm Wood dowel (4pcs)	2	 (Ø15)1/4"*100mm Hex-Head bolts (14pcs)	3	 (Ø15)1/4"*80mm Hex-Head bolts (44pcs)
4	 (Ø12)1/4"*60mm Hex-Head bolts (17pcs)	5	 (Ø12)1/4"*35mm Hex-Head bolts (2pcs)	6	 (Ø12)1/4"*30mm Hex-Head bolts (6pcs)
7	 1/4"*15 (9.5mm) Horizontal-Hole bolts (75pcs)	8	 (Ø12)1/4"*40mm Hex-Head bolts (38pcs)	9	 (1/4")4.5*58mm Allen key (2pcs)
10	 Ø3.5*15mm Wood screws (12pcs)	11	 Ø4*30mm Wood screws (16pcs)	12	 24*28*28*2mm Metal bracket (2pcs)
13	 81*26*21 (2.5mm) Hooks (2pcs)	14	 Ø4*19mm Wood screws (6pcs)	15	 Ø10*40mm Wood dowel (8pcs)
16	 116*40*27mm Metal bracket (2pcs)	17	 (Ø13)1/4"*14mm Connect bolt (2pcs)	18	 (Ø12)1/4"*40mm Hex-Head bolts (2pcs)

ASSEMBLY TOOLS REQUIRED (NOT INCLUDED)



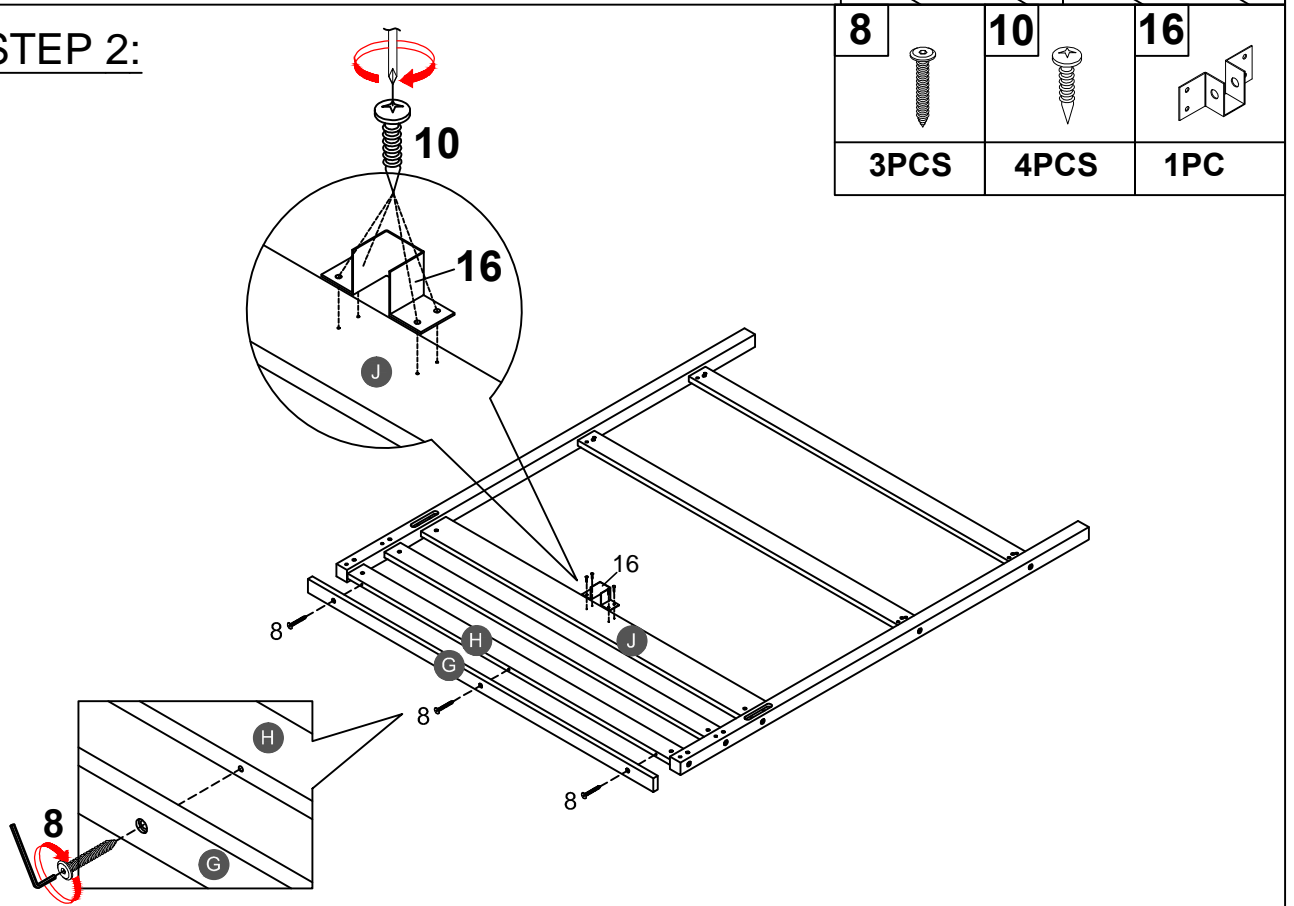
PLEASE BE CAREFUL DO NOT DAMAGE THE HOLE POSITION WHEN YOU USE POWER TOOLS !

STEP 1:





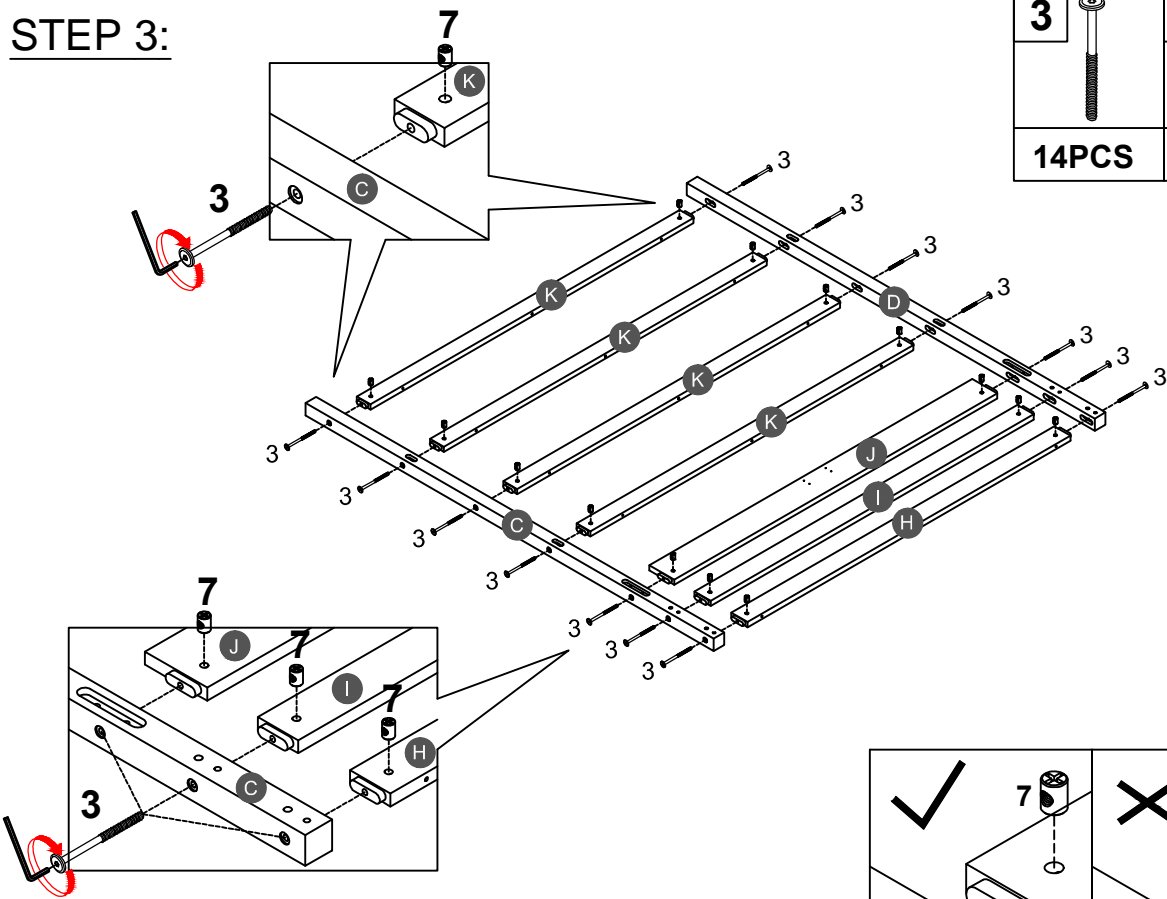
Note: Part 7 will face up with the "x" mark on it, otherwise it cannot be tightened

STEP 2:

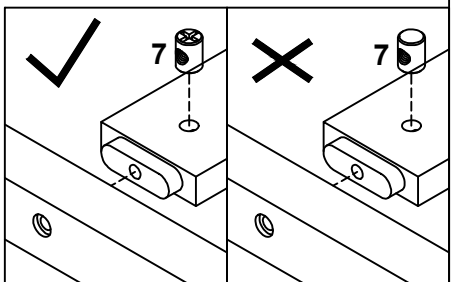


STEP 3:



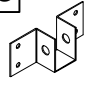
3		7	
14PCS		14PCS	

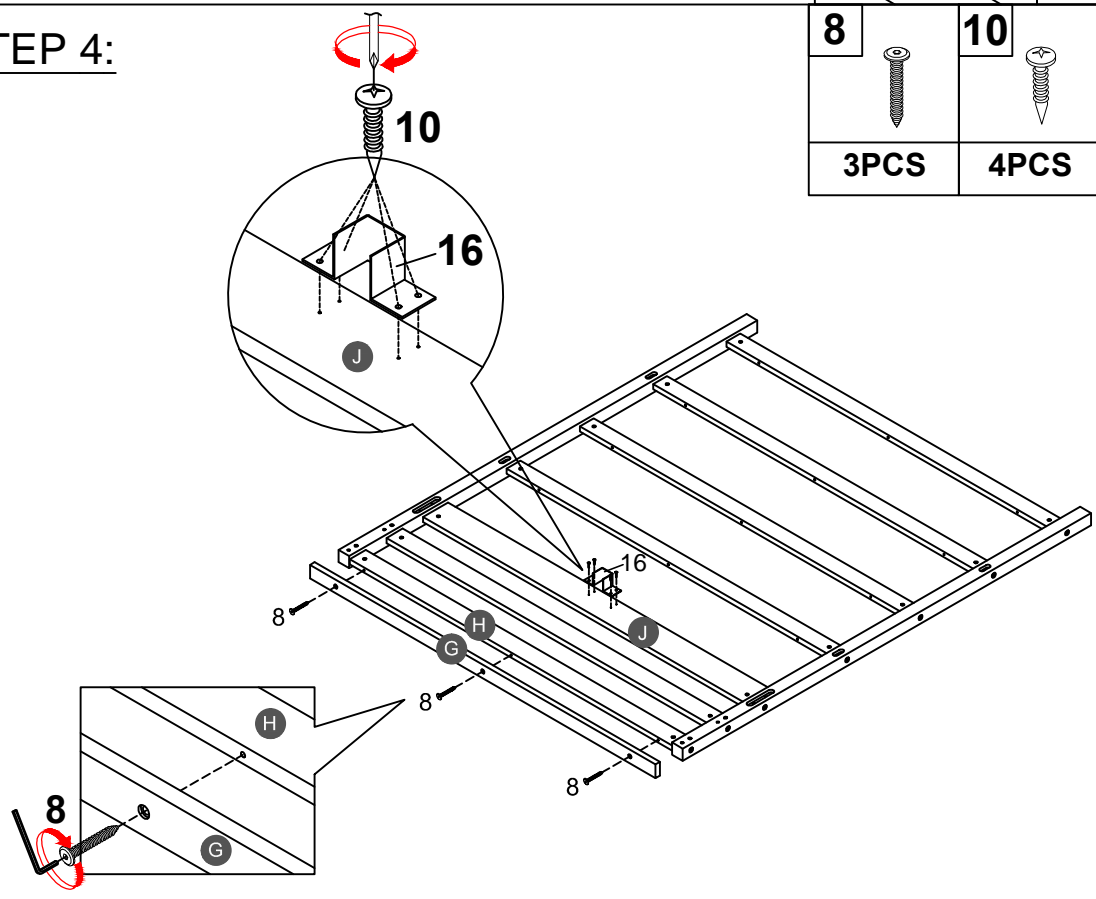


Note: Part 7 will face up with the "x" mark on it, otherwise it cannot be tightened

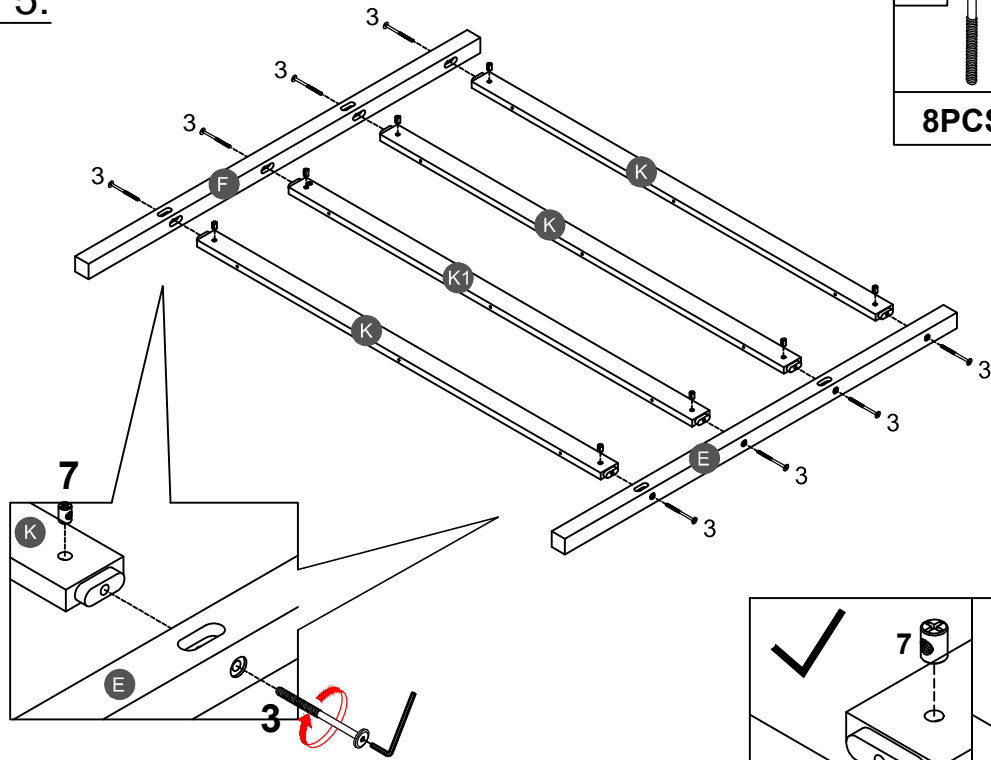


STEP 4:

8		10		16	
3PCS		4PCS		1PC	

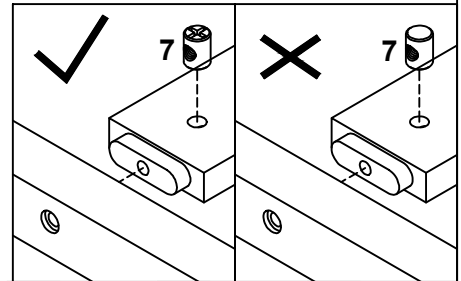


STEP 5:

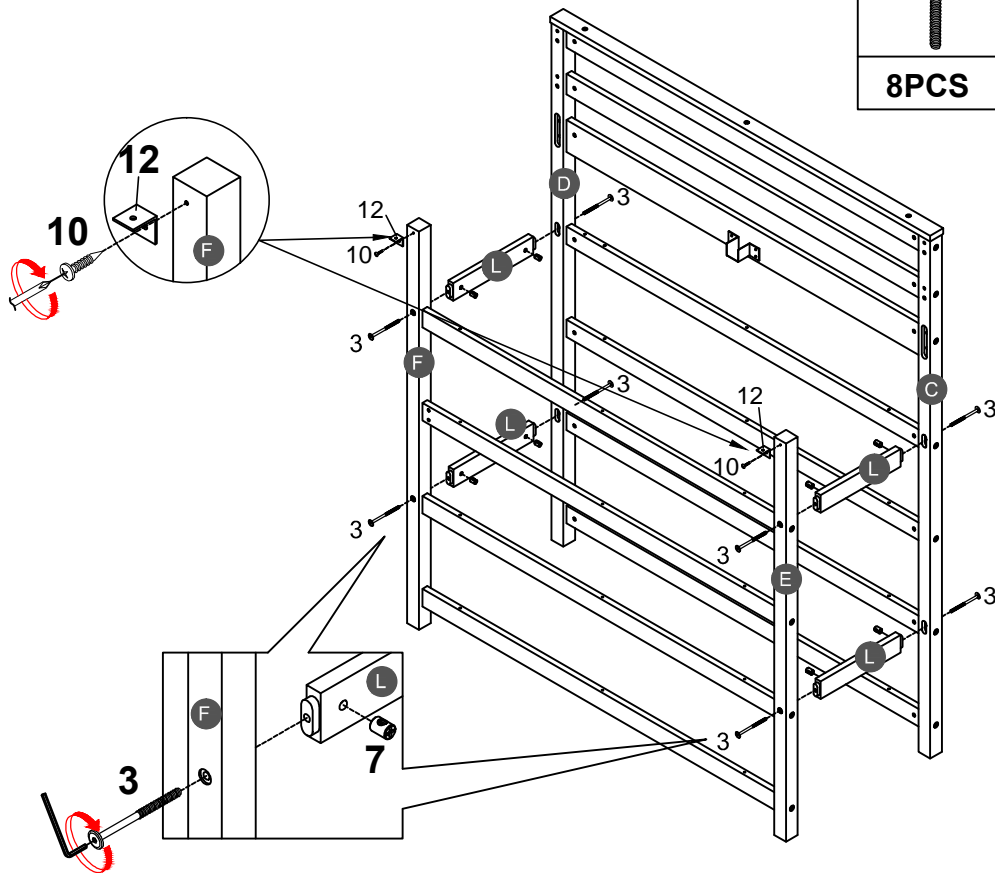


3		7	
8PCS		8PCS	

Note: Part 7 will face up with the "x" mark on it, otherwise it cannot be tightened







STEP 6:





3		7		12	
8PCS		8PCS		2PCS	

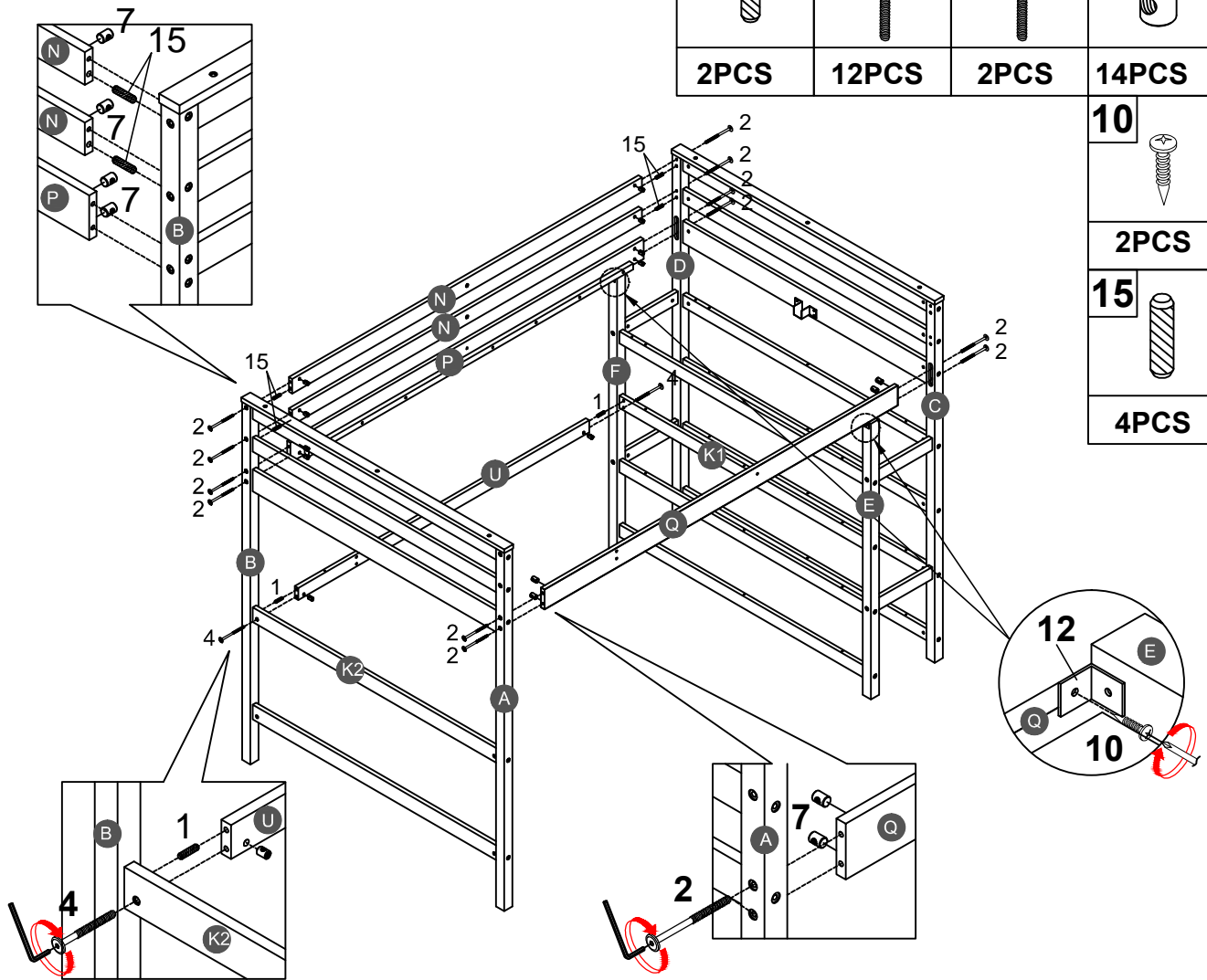
10	
2PCS	

STEP 7:


1		2		4		7	
2PCS		12PCS		2PCS		14PCS	

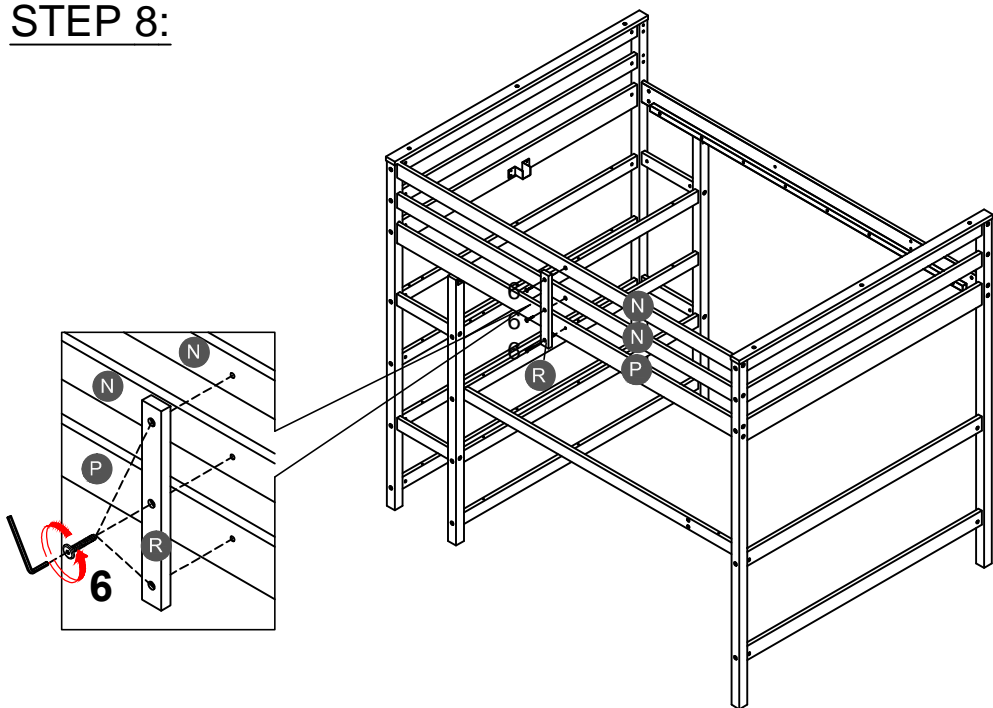
10	
2PCS	

15	
4PCS	

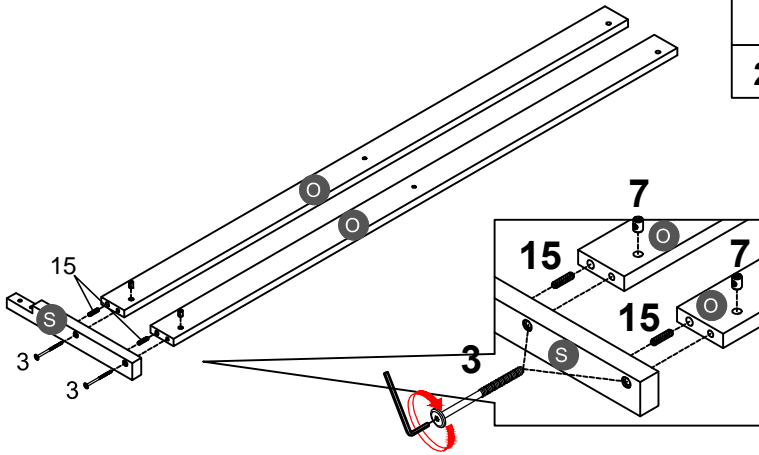





STEP 8:

6	
3PCS	

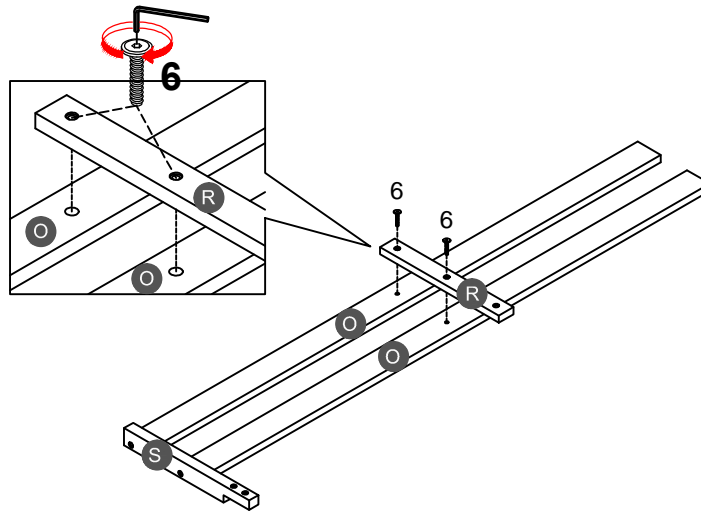



STEP 9:



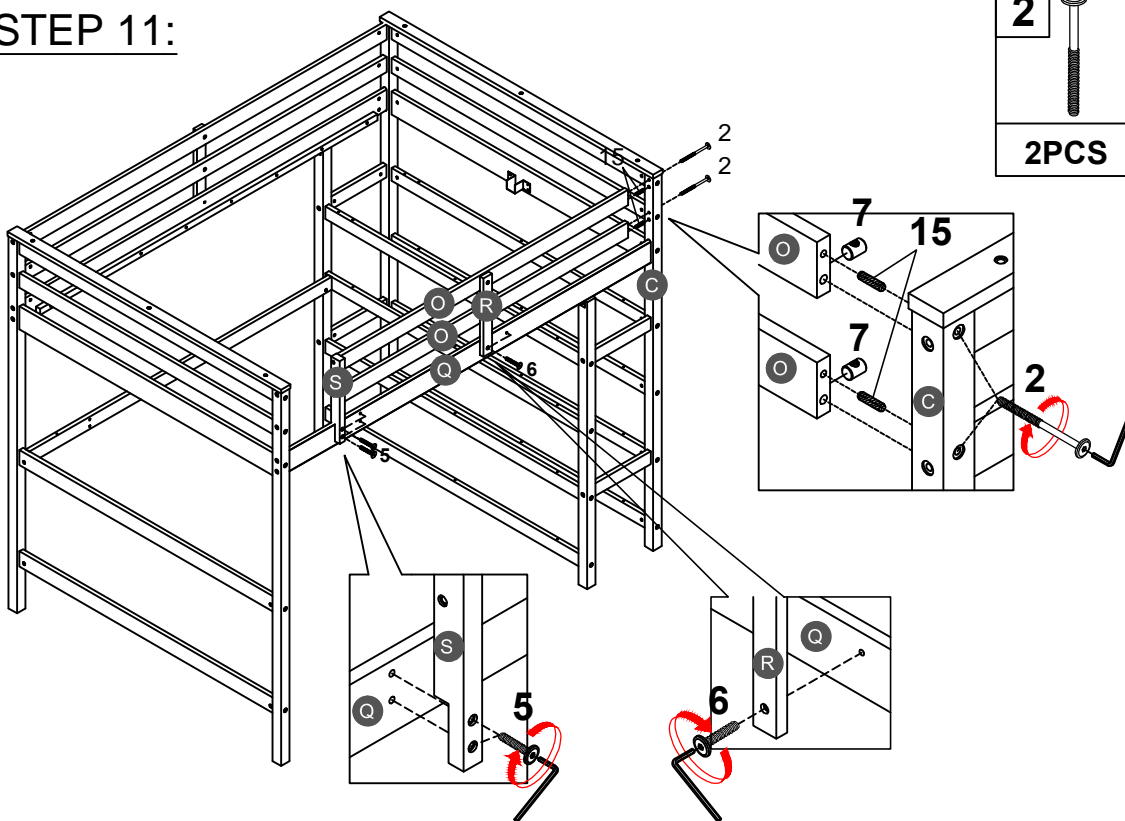
15	3	7
		
2PCS	2PCS	2PCS


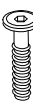
STEP 10:





6	
2PCS	


STEP 11:





2	5
	
2PCS	2PCS

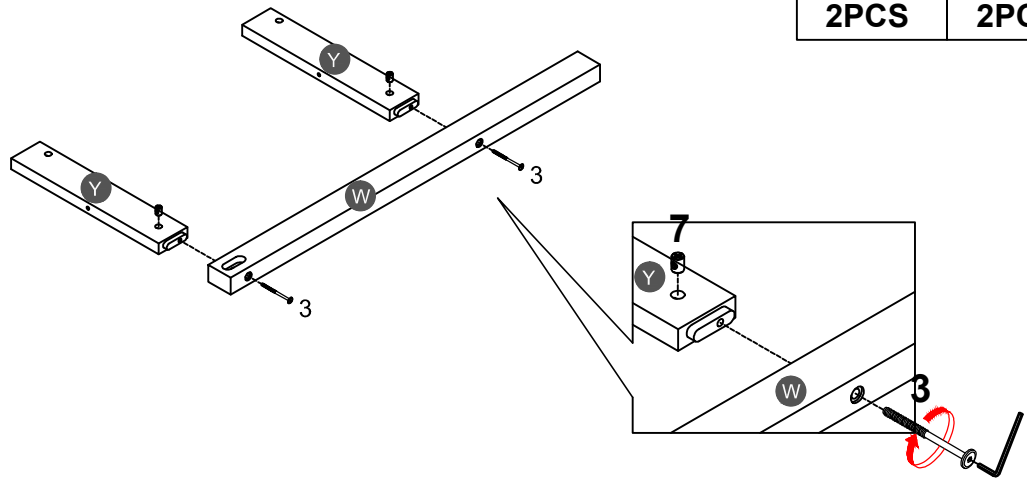
6	
1PC	

7	
2PCS	




15	
2PCS	

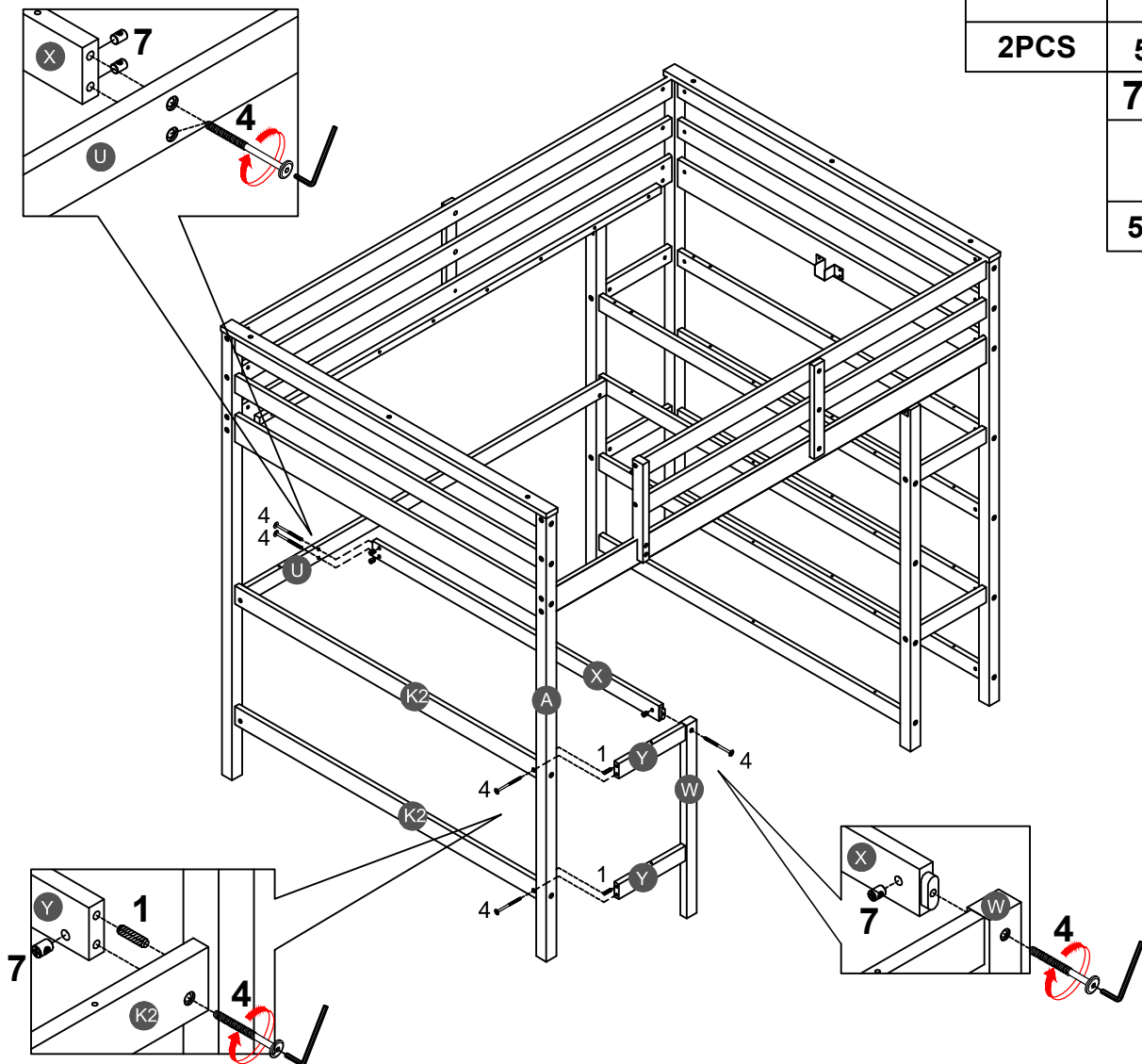
STEP 12:

3		7	
2PCS		2PCS	

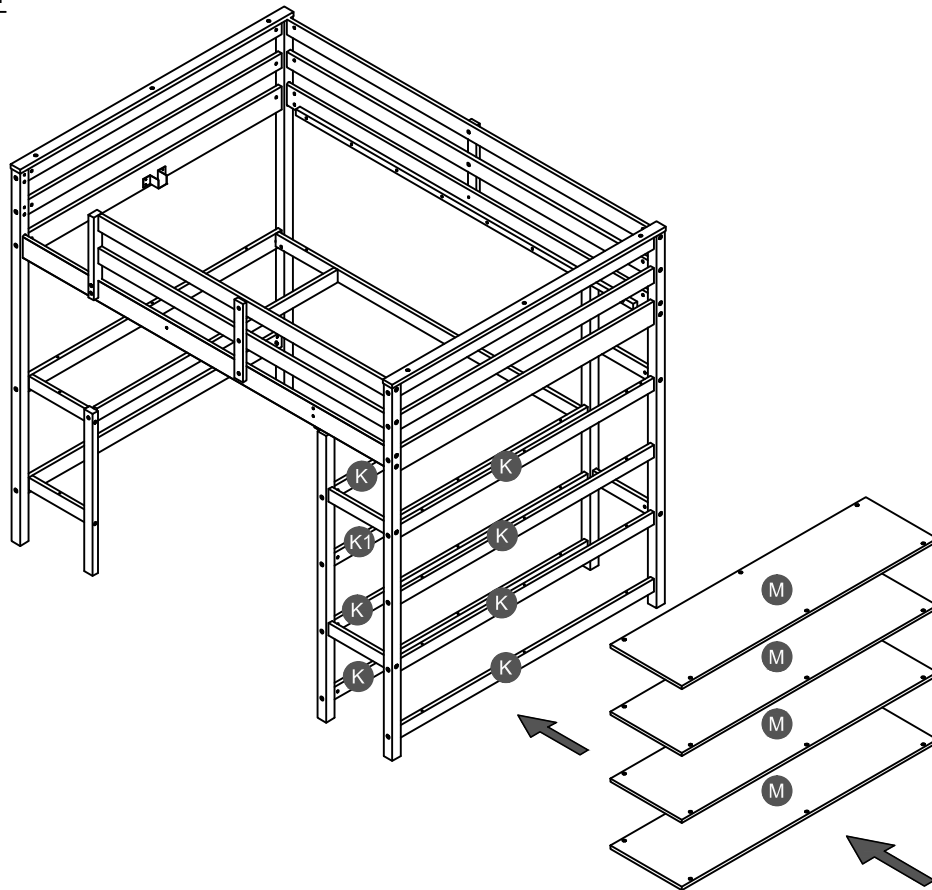


STEP 13:

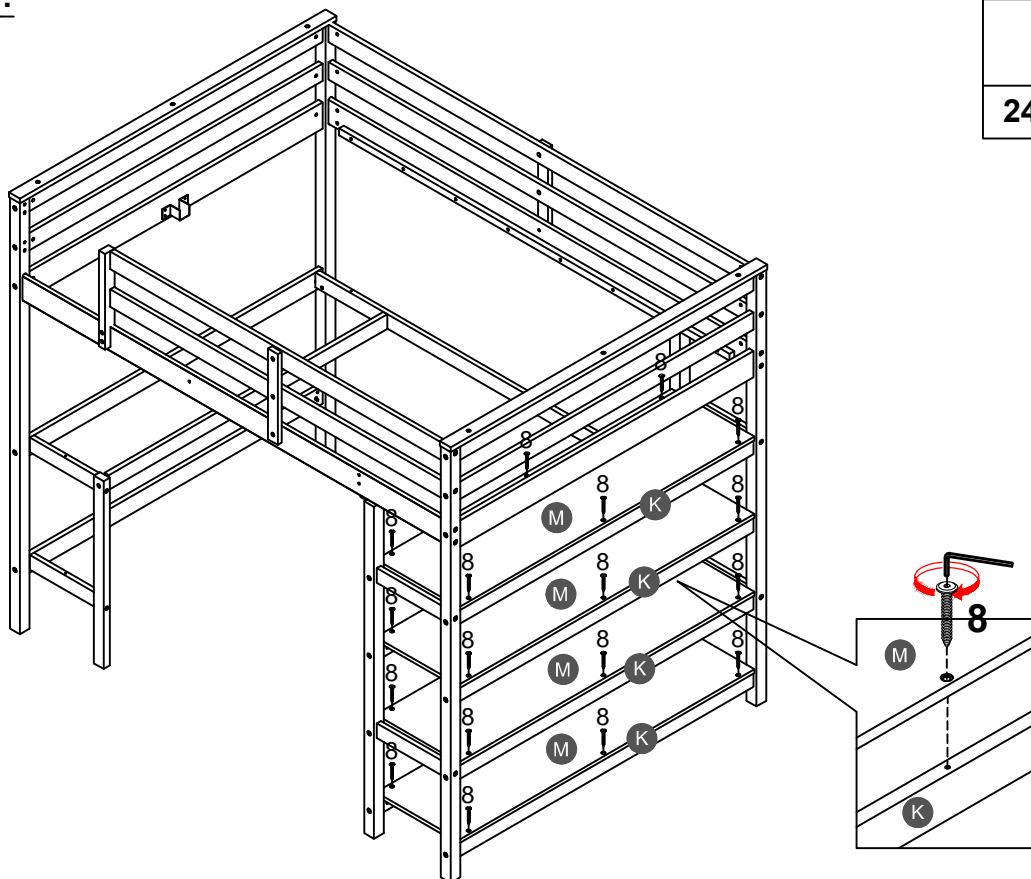
1		4	
2PCS		5PCS	
		7	
		5PCS	



STEP 14:



STEP 15:



8



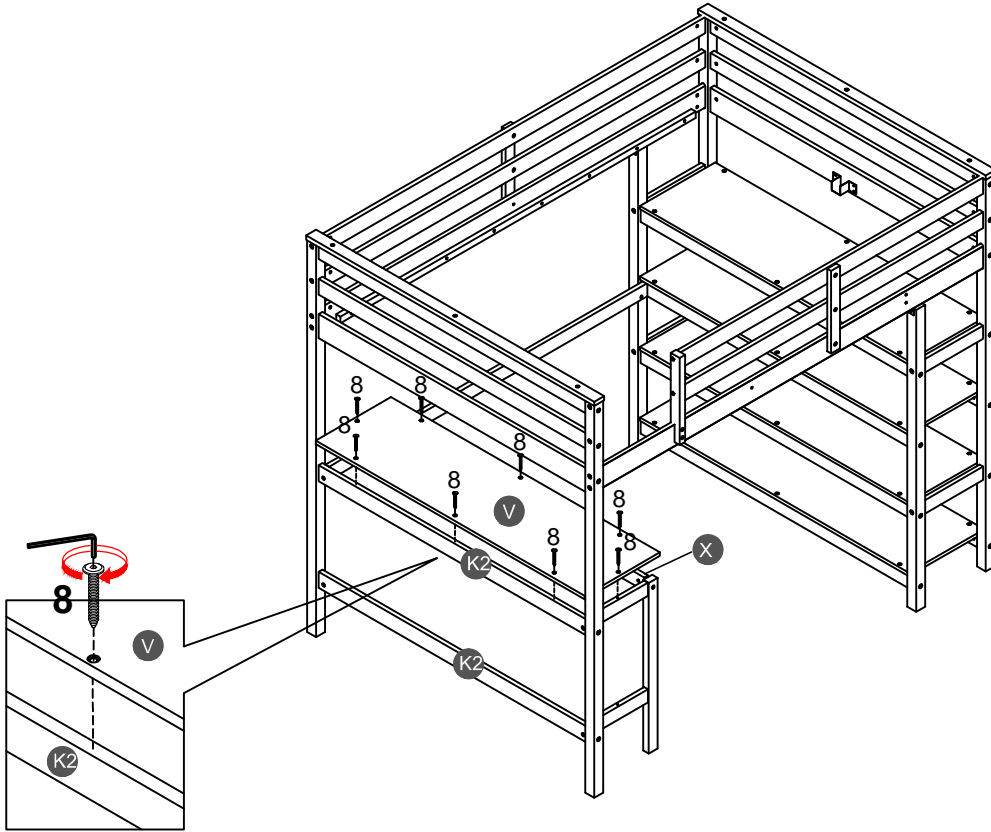
24PCS

STEP 16:

8



8PCS



STEP 17:

17

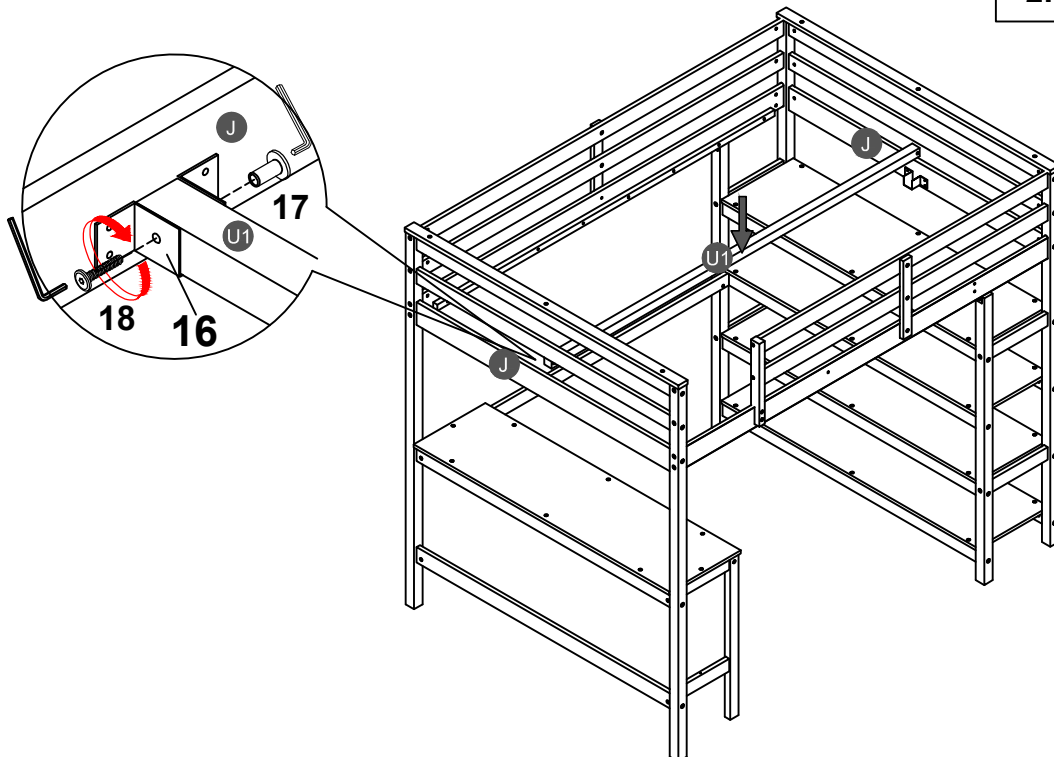


2PCS



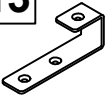

18

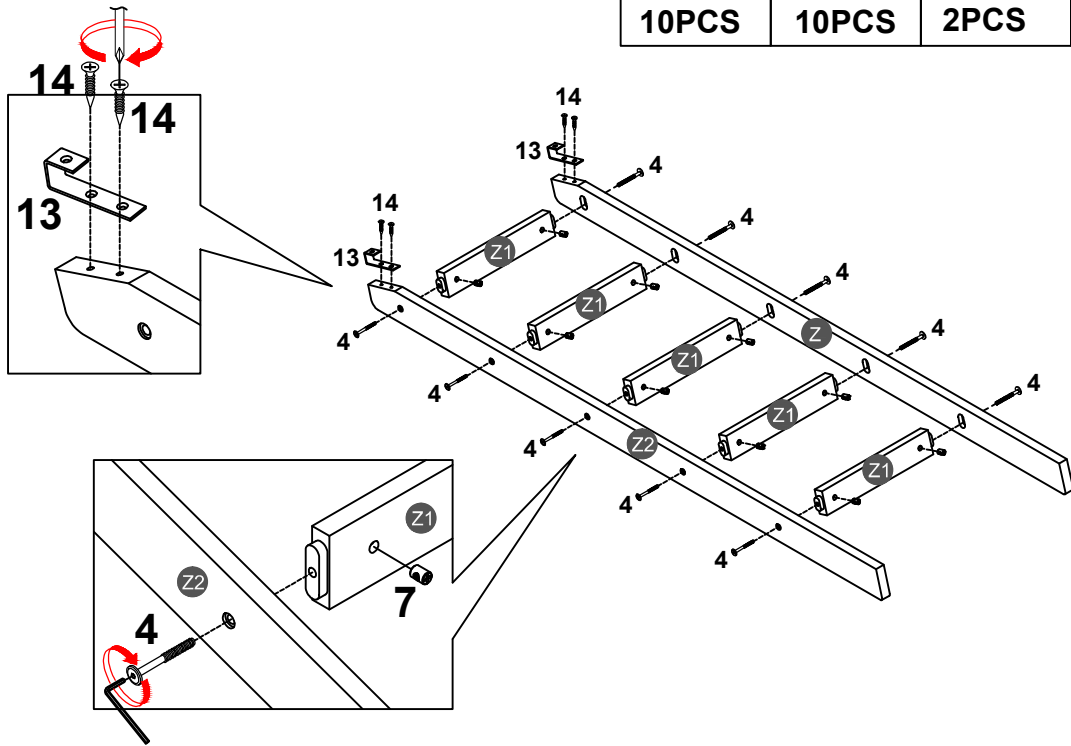


2PCS




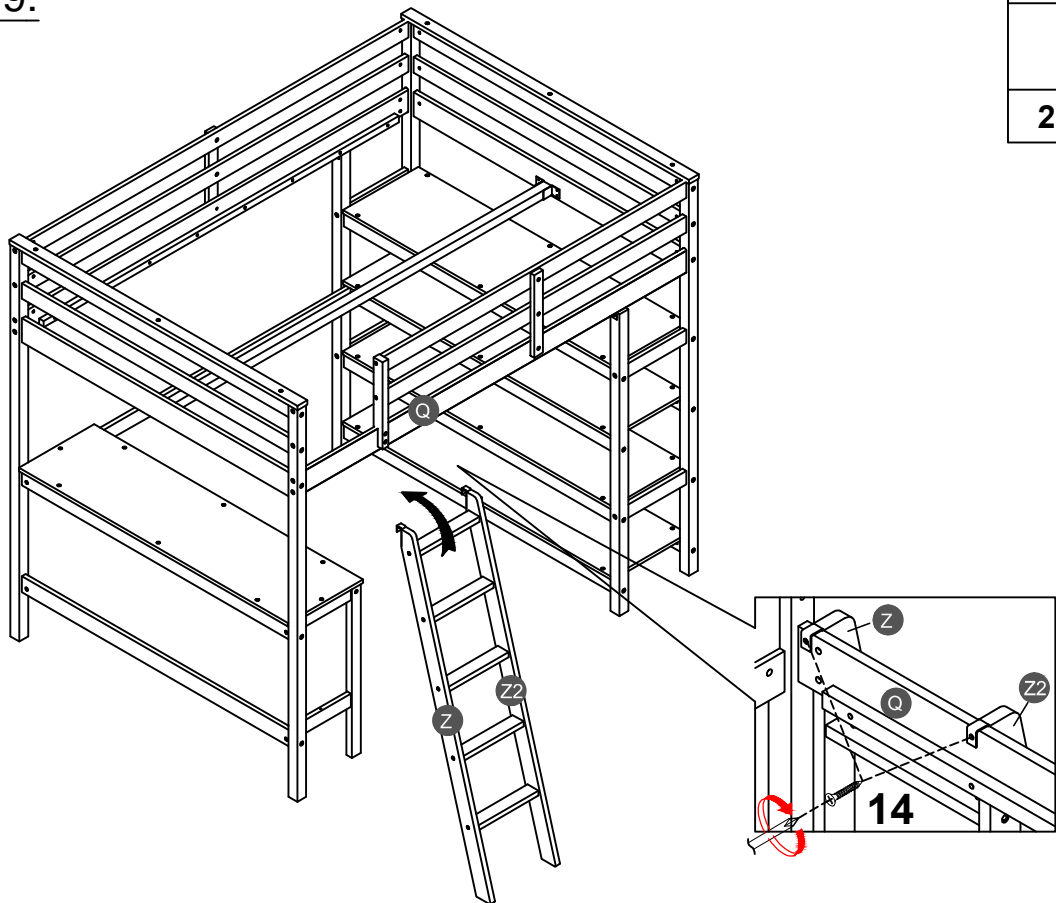
STEP 18:

4		7		13		14	
10PCS		10PCS		2PCS		4PCS	



STEP 19:

14	
2PCS	

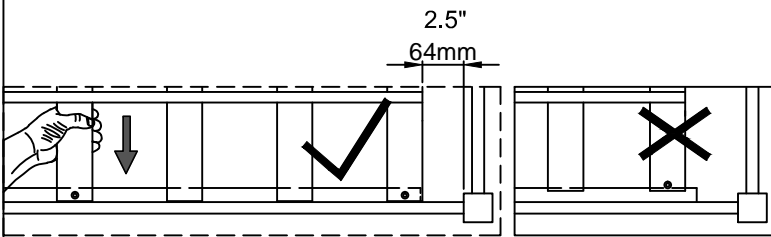
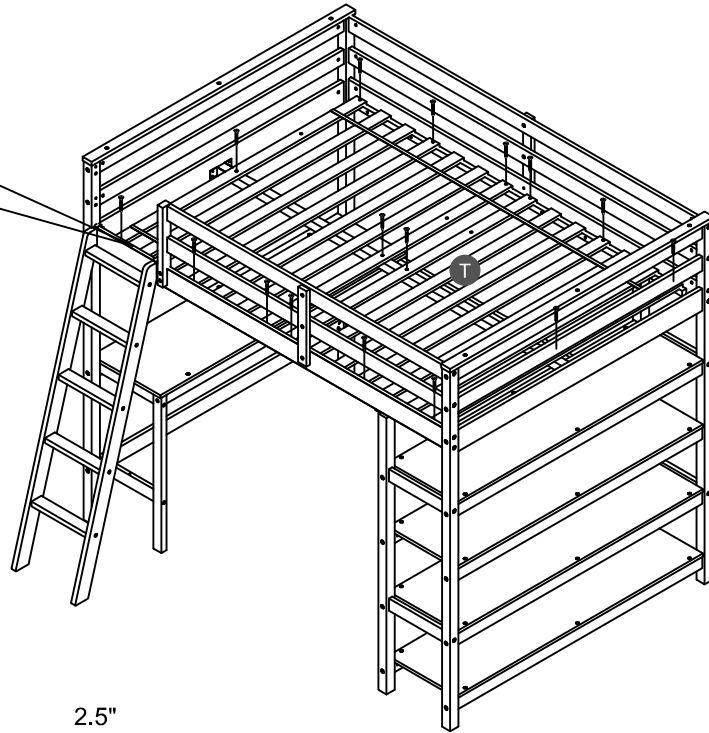
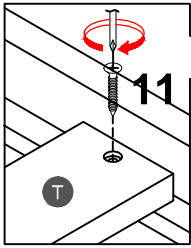


STEP 20:

11



16PCS



Note: Do not lock the screws of the bed slats to the outermost edge of the bed slats, you need to leave a certain space at the edges, otherwise it will cause the board to break. Do not lock the bed slats on the edge of the wood, please hold firmly before screwing, hold it in place with one hand, then lock the screw.

