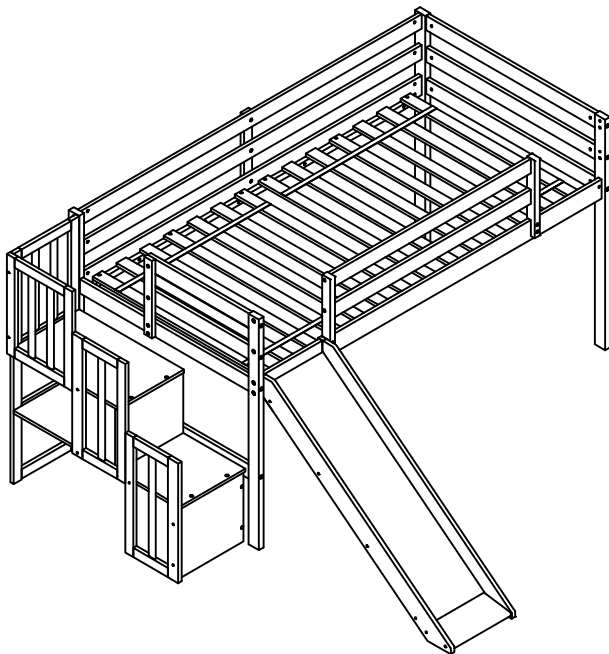
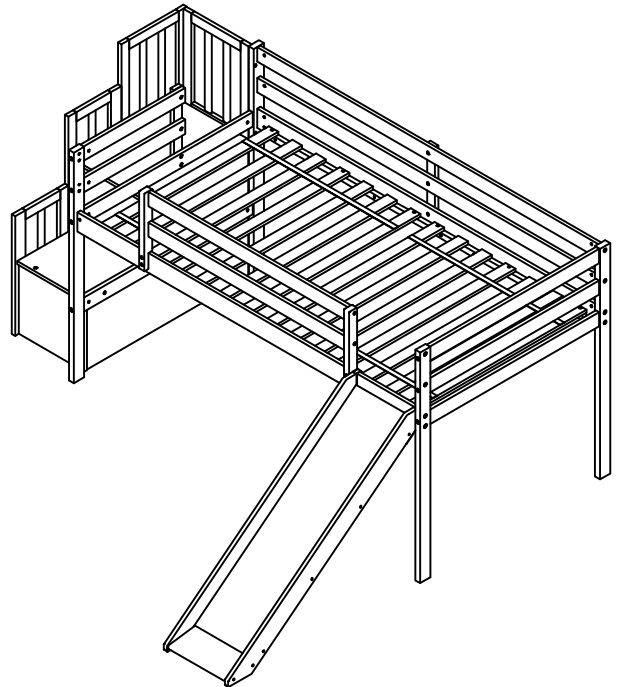


ASSEMBLY INSTRUCTIONS

LOFT BED WITH STAIRS, SLIDE



OR



DN11718



SAFETY WARNING



1. This bed is designed for use only mattress (es) meeting the following specifications on the upper bunk, and lower bunk:

Down bed

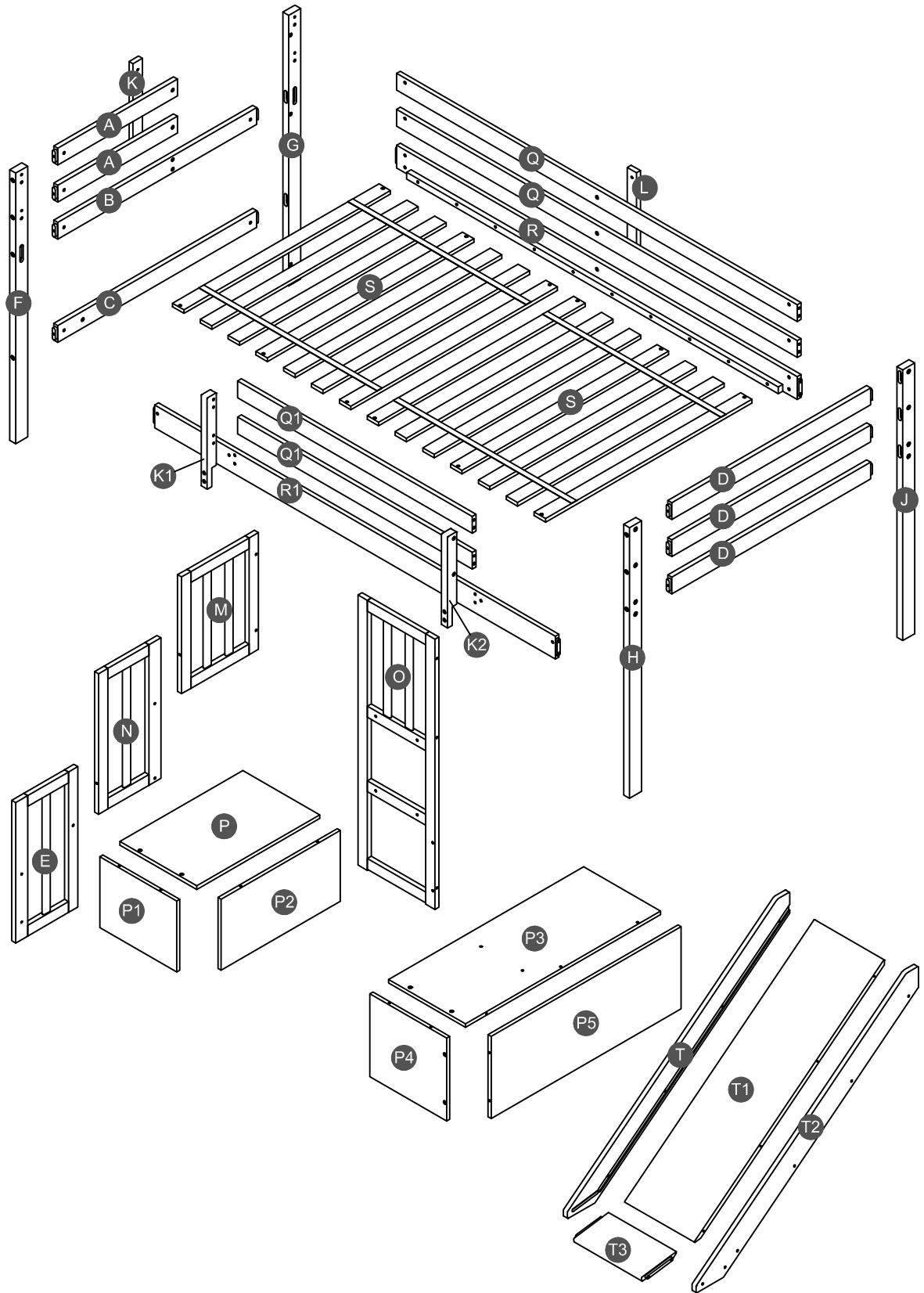
Bed type	Length	With	Thickness
Twin Standard	74"-75"	38 1/2"	8" max

Up bed (Bunk bed and tribed included)

Bed type	Length	With	Thickness
Twin Standard	74"-75"	38 1/2"	6" max

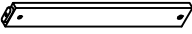
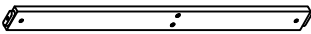
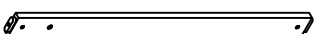
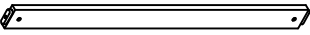
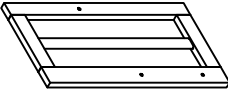


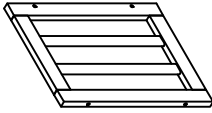
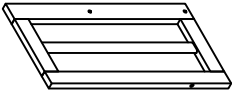


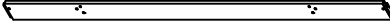
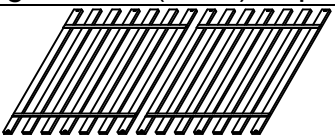

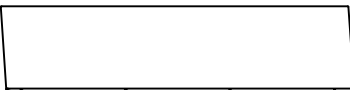


2. Replacement parts, including additional guardrails, maybe obtained from any of our FREIGHTMAN EC CO.,LTD.
3. Follow the information on the warnings appearing on the upper bunk bed end structure and on the carton. Do not remove warning label from bed.
4. Always use the recommended size mattresses or mattress supports, or both, to help prevent the likelihood of entrapment or falls.
5. Surface of mattress must be at least 5" (127mm) below the upper edge of guardrails.
6. Do not allow children under 6 years of age to use the upper bunk.
7. Periodically check and ensure that the guardrail, ladder, and other components are in their proper position, free from damage, and that all connectors are tight.
8. Do not allow horseplay on or under the bed and prohibit jumping on the bed.
9. Always use the ladder for entering and leaving the upper bunk.
10. Do not use substitute part. Contact the manufacture or dealer for replacement part.
11. Use of a night light may provide added safety precaution for a child using the upper bunk.
12. Always use guardrails on both long sides of the upper bunk. If the bunk bed will be placed next to the wall, the guardrail that runs the full length of the bed should be placed against the wall to prevent entrapment between the bed and wall.
13. The use of water or sleep flotation mattresses is prohibited.
14. STRANGULATION HAZARD - Never attach or hang items to any part of the bunk bed that are not designed for use with the bed; for example, but not limited to, hook, belts and jump ropes.
15. Keep these instruction for future reference.

Detail View

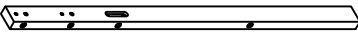
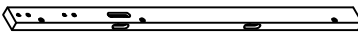
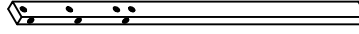
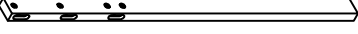

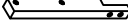
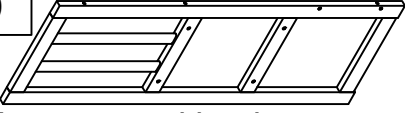

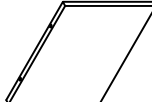
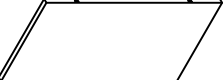
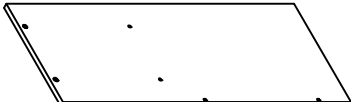
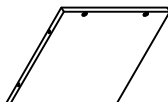
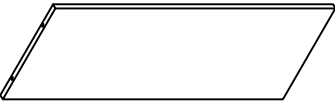



Part List

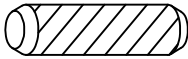
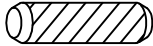
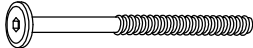
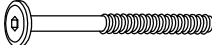
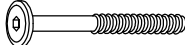


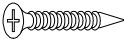
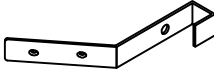

DN11718(2-1)

A  Upper horizontal FB - 2pcs	B  Horizontal FB- 1pc	C  Lower horizontal FB- 1pc
D  Upper HB - 3pcs	E  Lower guard side - 1pc	K  Support guard rail - 1pc
L  Vertical guard rail - 1pc	M  Upper guard side - 1pc	N  Guard side - 1pc
Q  Long guard rail (Back) - 2pcs	R  Side rail (Back)-1pc	R1  Side rail (Front)-1pc
S  Slats - (14pcs)	T  Left side slide -1pc	T1  Slide panel -1pc
T2  Right side slide -1pc	T3  Slide base support -1pc	

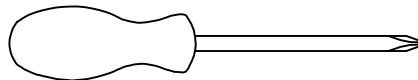
DN11718(2-2)

F  Leg FB (Front Left) - 1pc	G  Leg FB (Back Left) - 1pc	H  Leg HB (Front Right) - 1pc
J  Leg HB (Back Right) - 1pc	K1  Left support guard rail - 1pc	K2  Right support guard rail - 1pc
O  Frame guard back - 1pc	P  Upper step ladder panel -1pc	P1  Upper front panel - 1pc
P2  Upper side panel - 1pc	P3  Lower step ladder panel -1pc	P4  Lower front panel - 1pc
P5  Lower side panel - 1pc	Q1  Short guard rail (Front) - 2pcs	

Hardware List

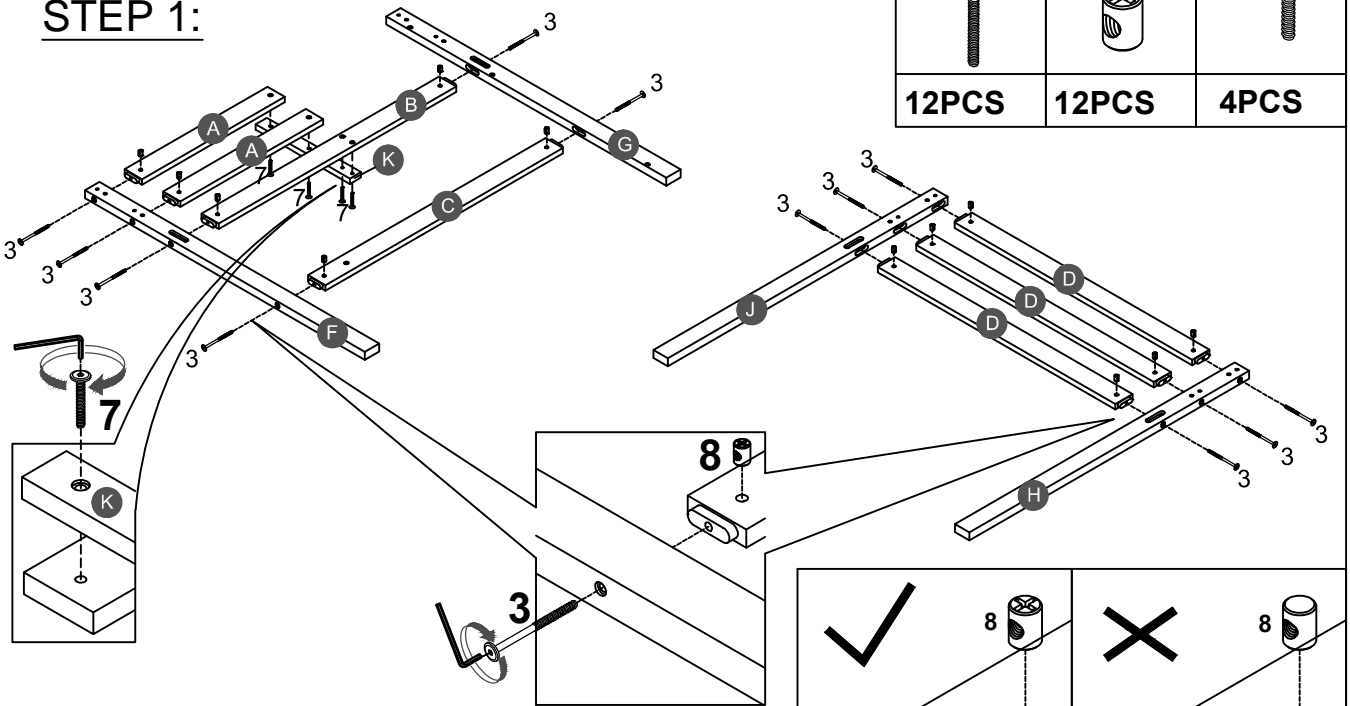
1  Ø10*40mm Wood dowel (8pcs)	2  Ø8*30mm Wood dowel (4pcs)	3  (Ø15)1/4"*100mm Hex-Head bolts (12pcs)
4  (Ø15)1/4"*80mm Hex-Head bolts (16pcs)	5  (Ø12)1/4"*60mm Hex-Head bolts (27pcs)	6  (Ø12)1/4"*35mm Hex-Head bolts (6pcs)
7  (Ø12)1/4"*30mm Hex-Head bolts (7pcs)	8  1/4"*15 (9.5mm) Horizontal-Hole bolts(53pcs)	9  (1/4")4.5*58mm Allen key (1pc)
10  Ø4*30mm Wood screws (16pcs)	11  142*18*2mm Hooks (2pcs)	12  (Ø12)1/4"*50mm Hex-Head bolts (12pcs)

ASSEMBLY TOOLS REQUIRED (NOT INCLUDED)



PLEASE BE CAREFUL DO NOT DAMAGE THE HOLE POSITION WHEN YOU USE POWER TOOLS !

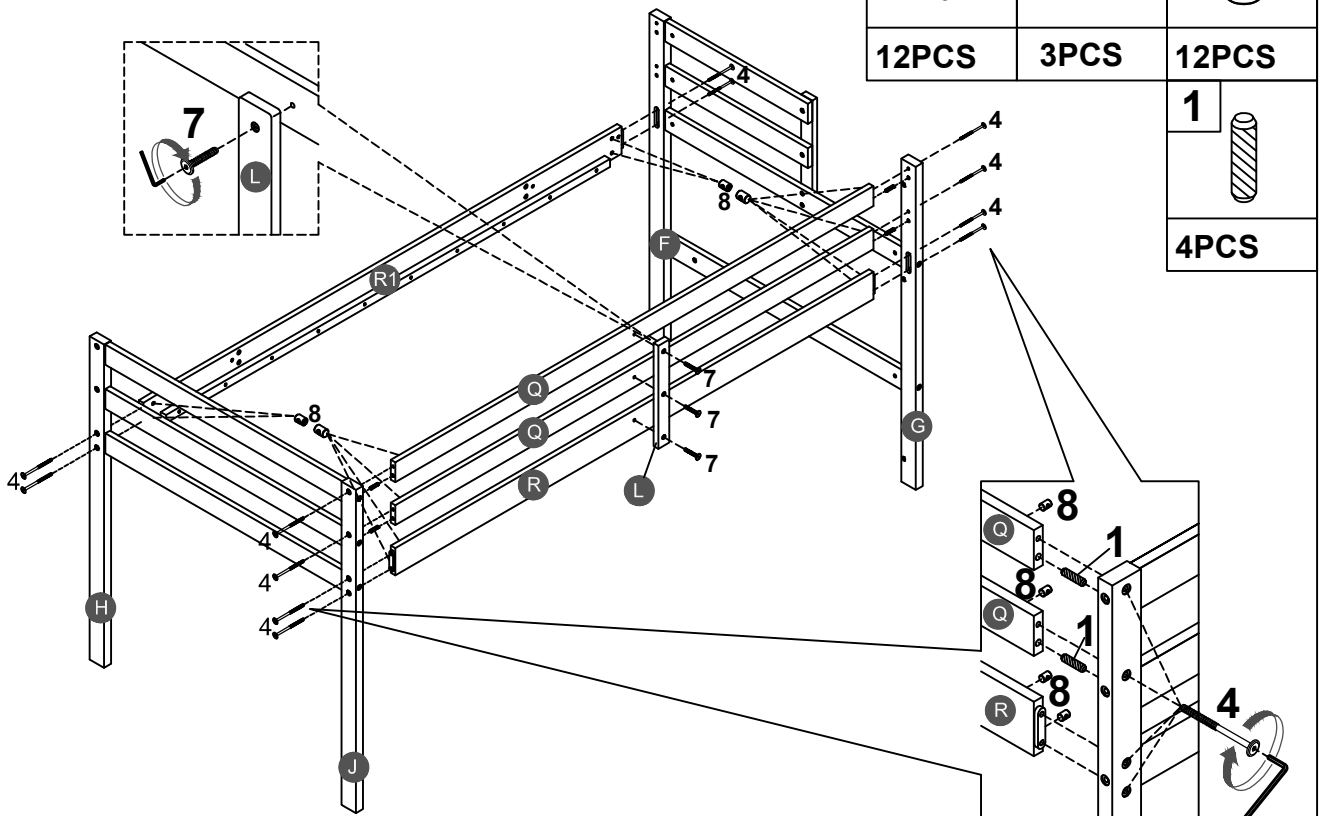
STEP 1:



3		8		7	
12PCS		12PCS		4PCS	




Note: Part 8 will face up with the "x" mark on it, otherwise it cannot be tightened

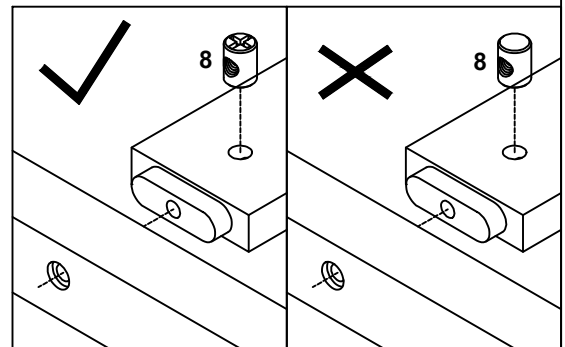
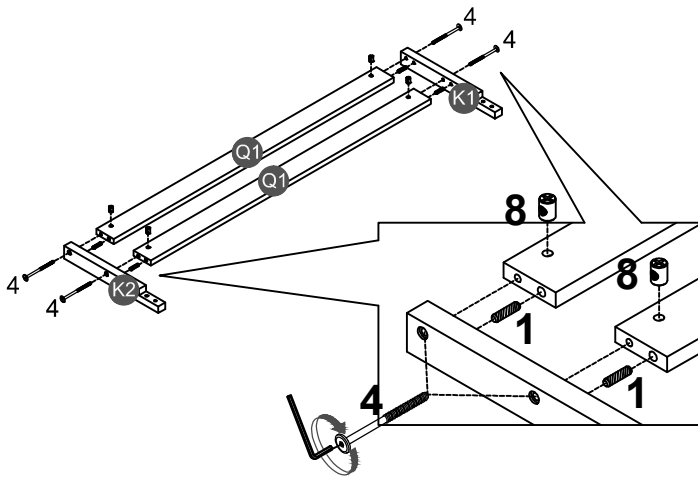
STEP 2:



4		7		8	
12PCS		3PCS		12PCS	
				1	
				4PCS	


STEP 3:

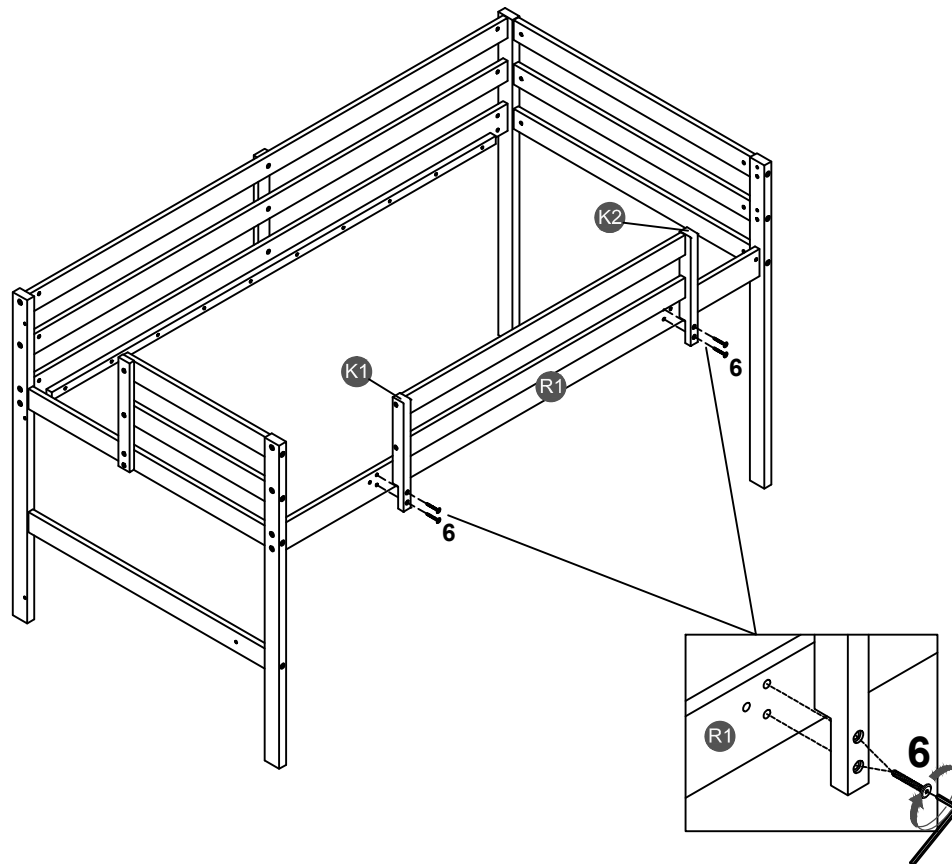
1		4		8	
4PCS		4PCS		4PCS	






Note: Part 8 will face up with the "x" mark on it, otherwise it cannot be tightened

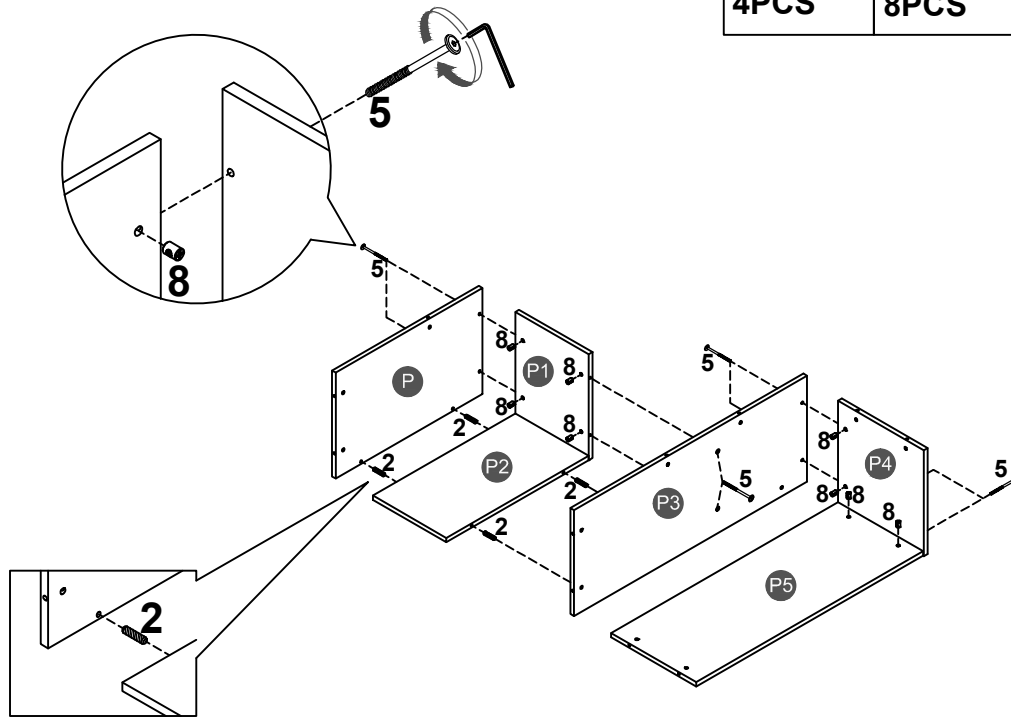
STEP 4:

6	
4PCS	





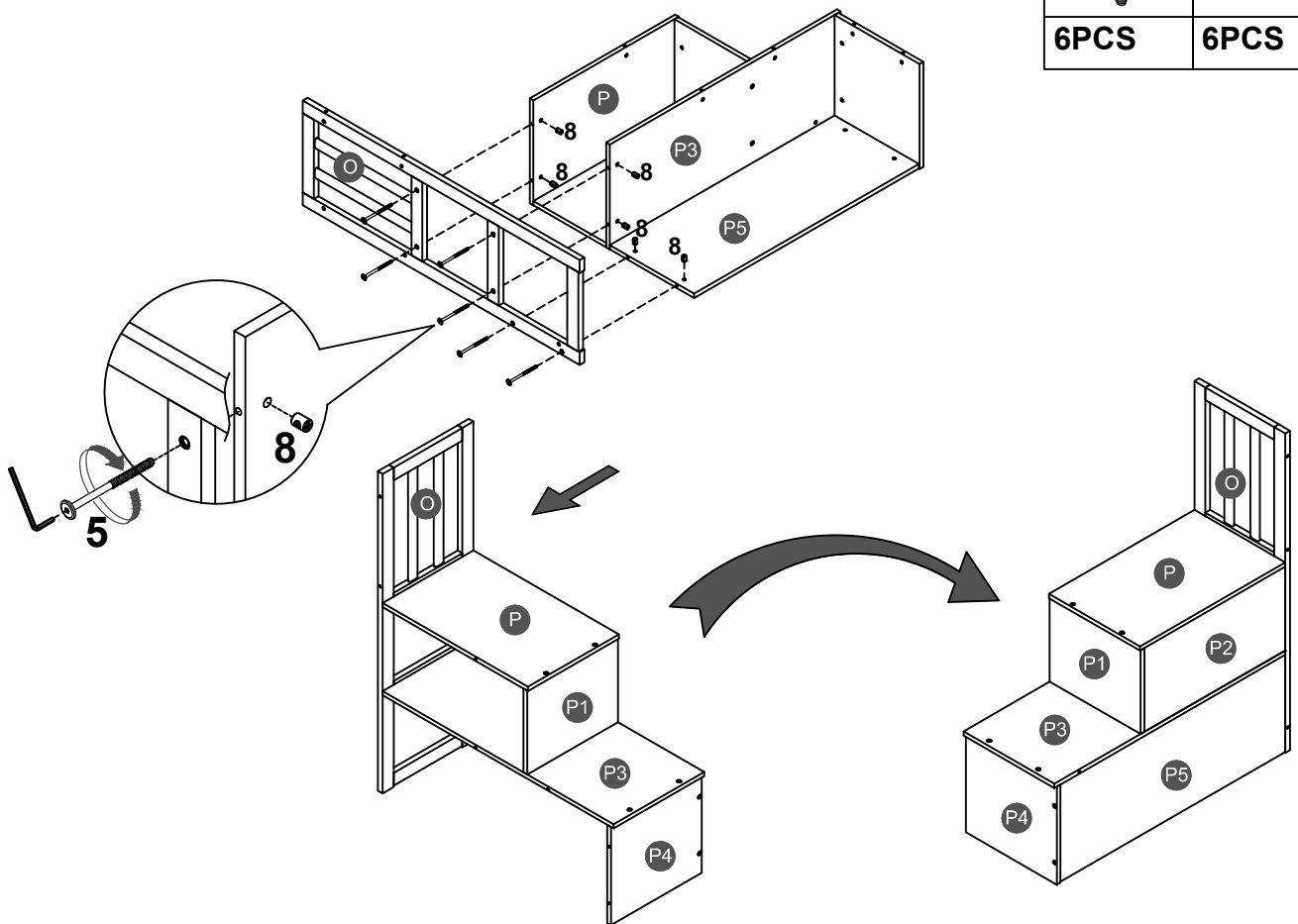
STEP 5:

2		5		8	
4PCS		8PCS		8PCS	

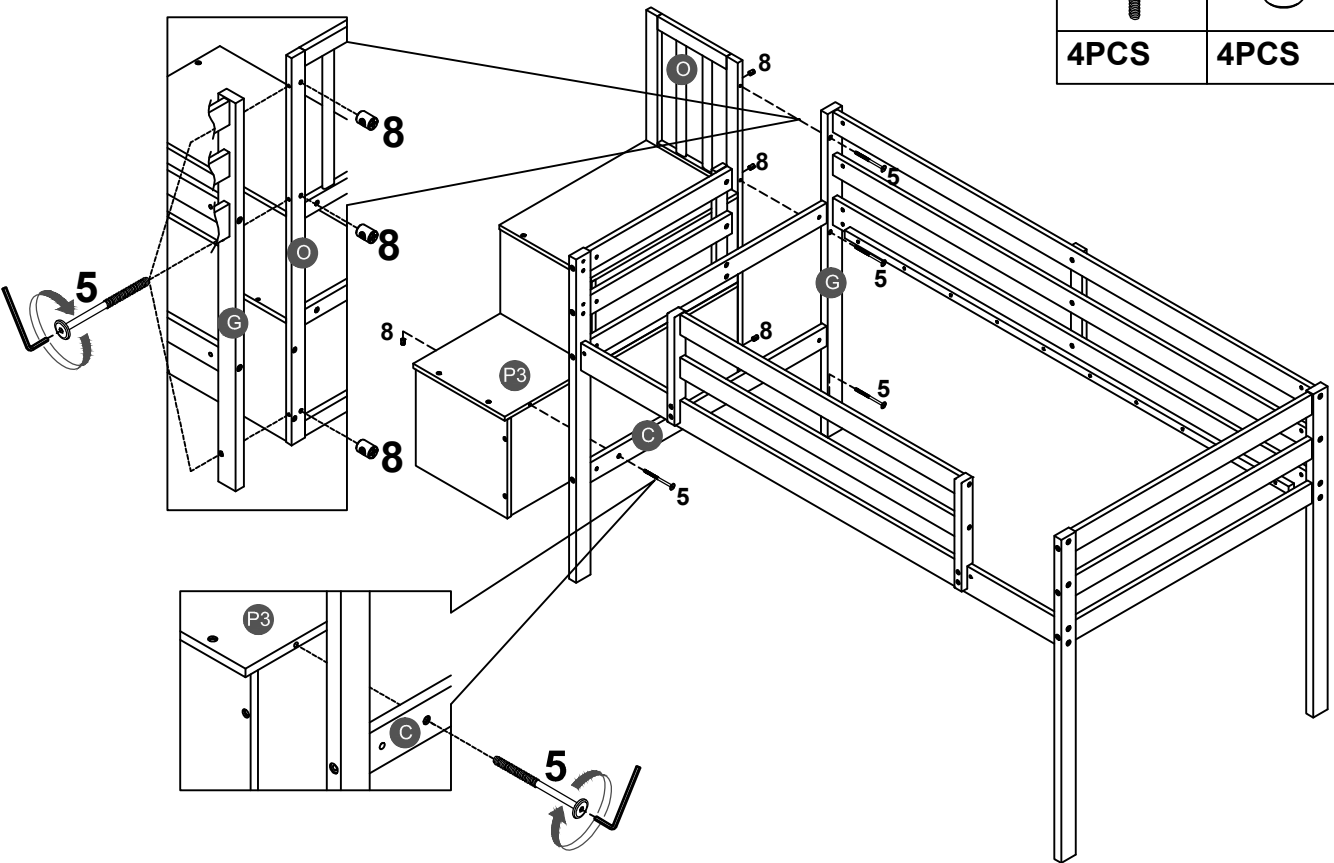




STEP 6:

5		8	
6PCS		6PCS	

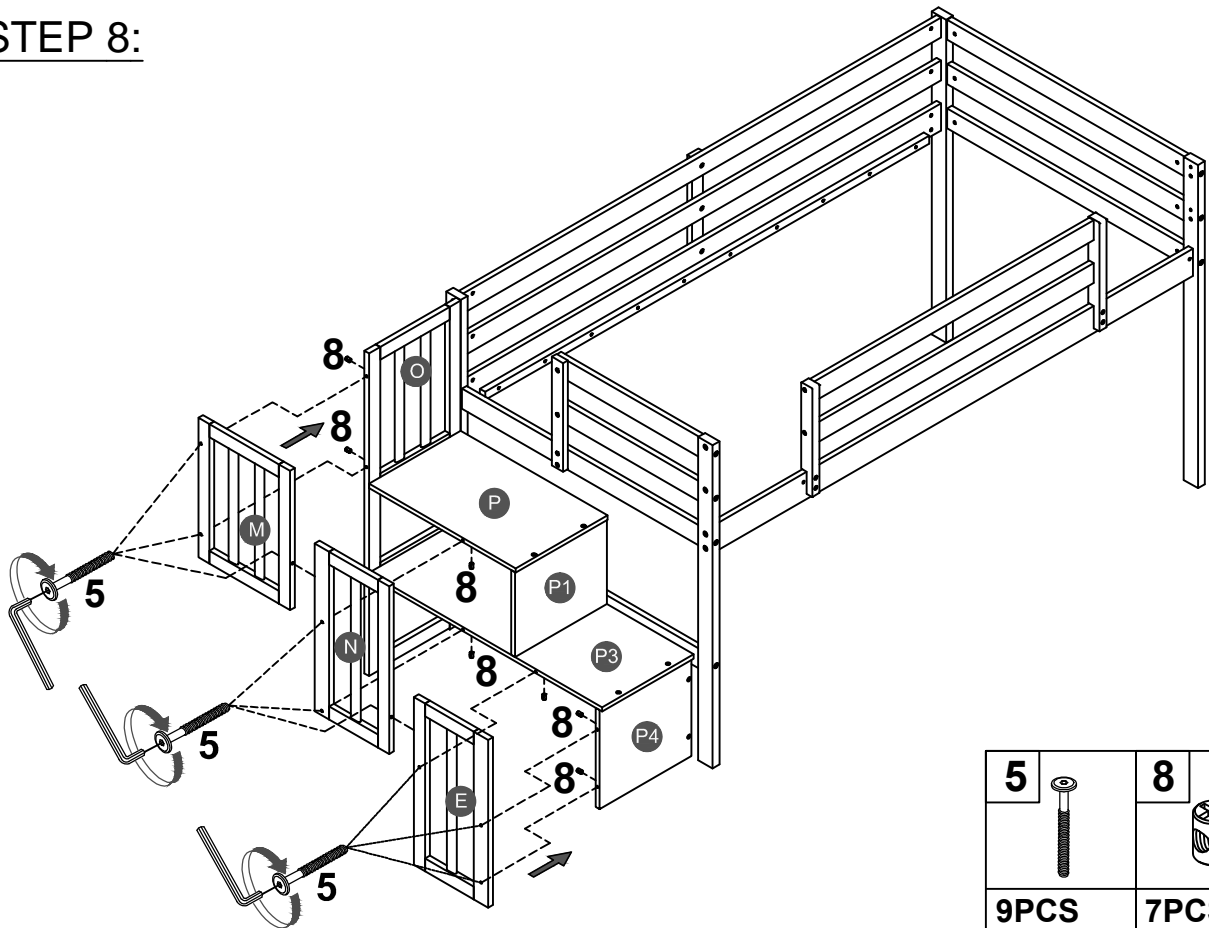




STEP 7:






5		8	
4PCS		4PCS	

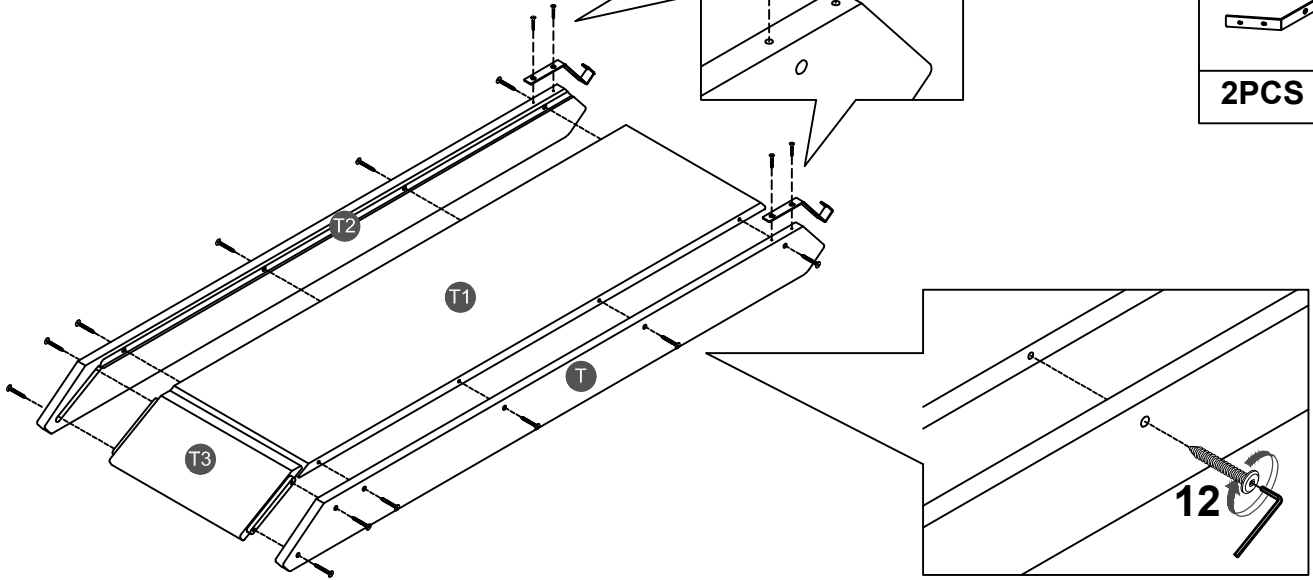
STEP 8:




5		8	
9PCS		7PCS	

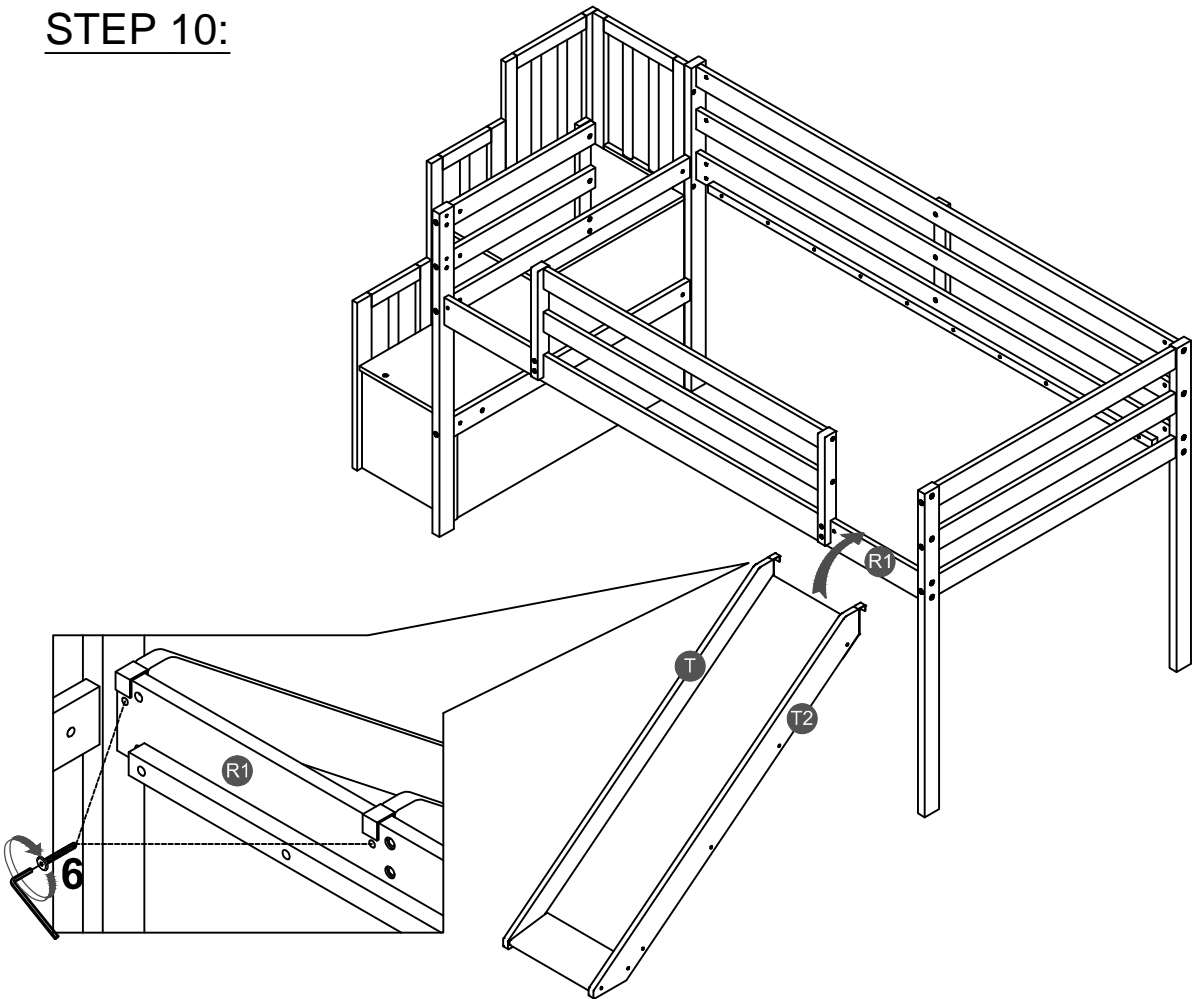
STEP 9:

12		10	
12PCS		4PCS	
		11	
		2PCS	

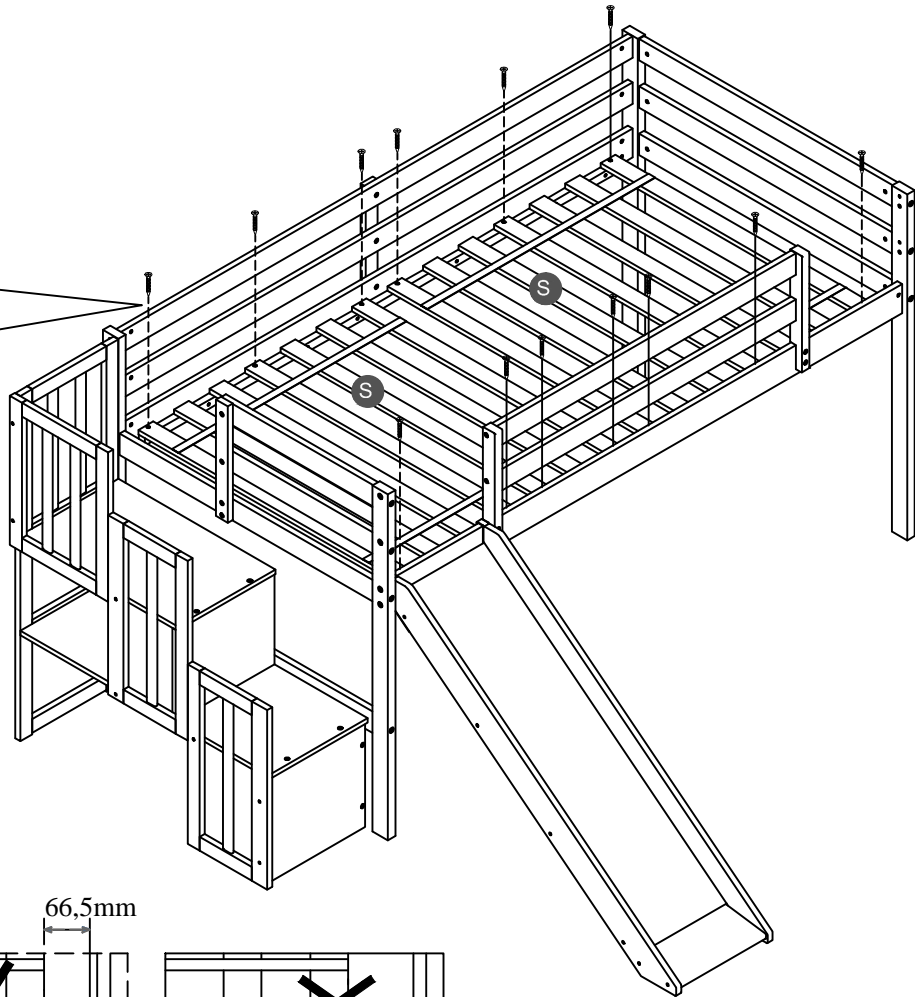
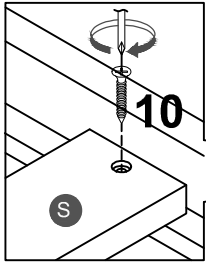



STEP 10:

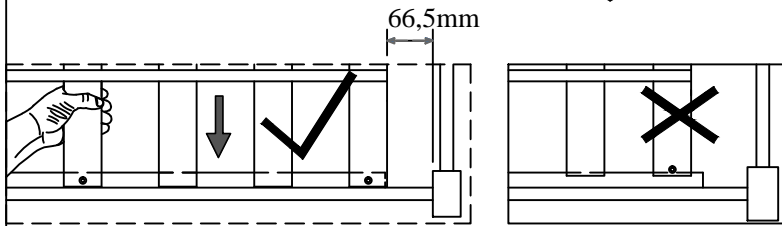
6	
2PCS	



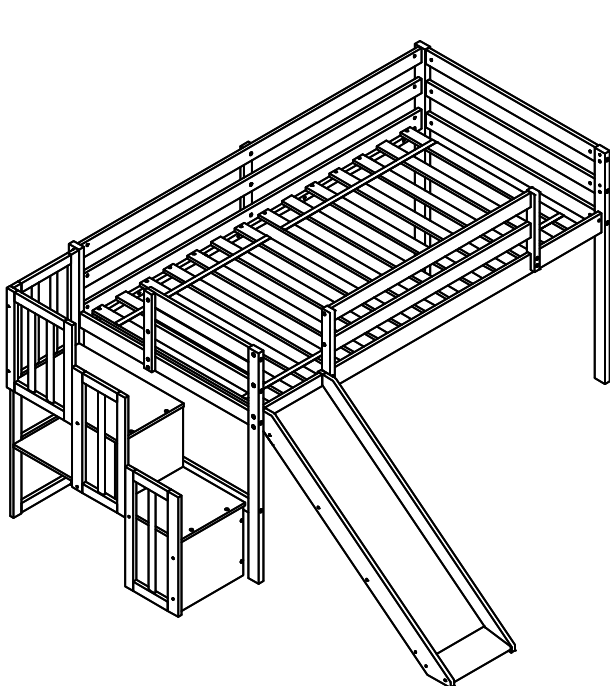
STEP 11:



10

12PCS



Note: Do not lock the screws of the bed slats to the outermost edge of the bed slats, you need to leave a certain space at the edges, otherwise it will cause the board to break. Do not lock the bed slats on the edge of the wood, please hold firmly before screwing , hold it in place with one hand, then lock the screw.



OR

