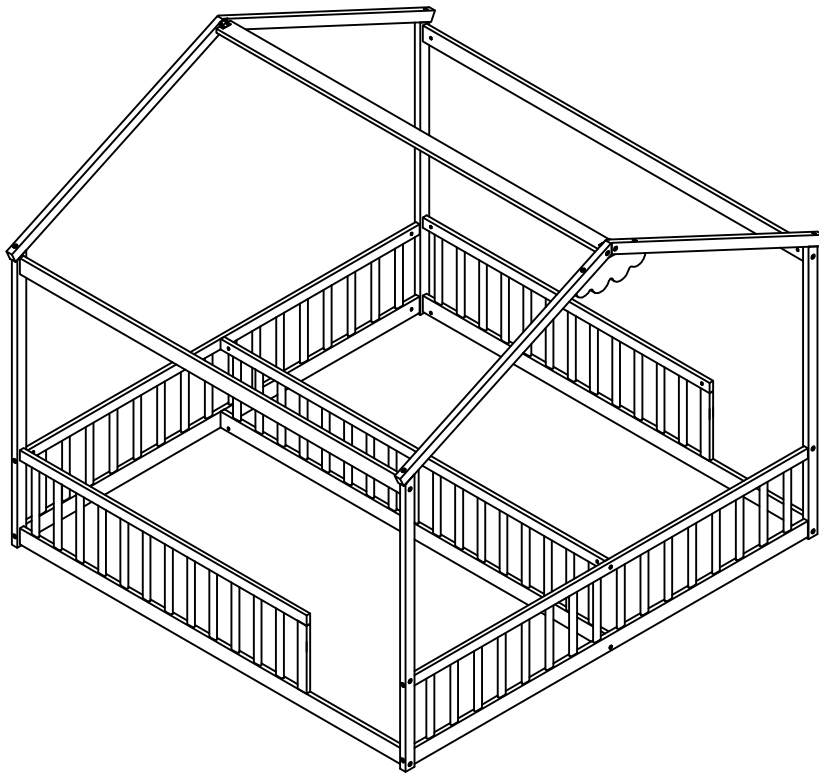


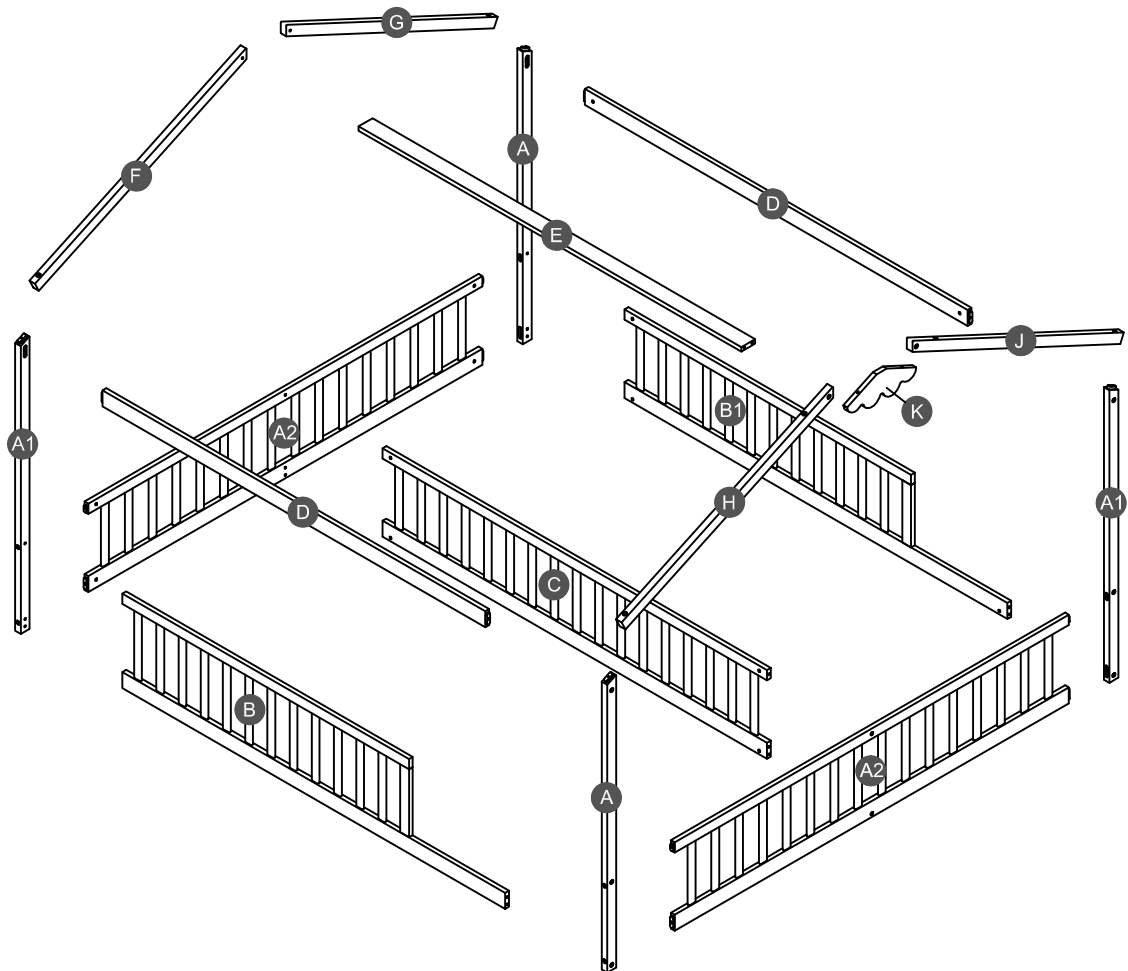
ASSEMBLY INSTRUCTIONS

DOUBLE TWIN FLOOR HOUSE BED (NO DOOR)

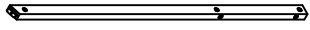
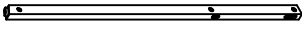
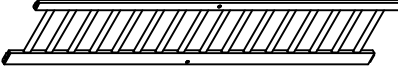
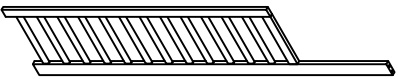
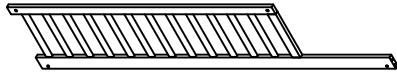
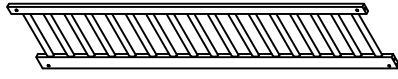
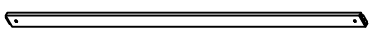
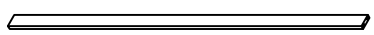
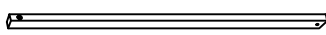
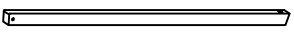
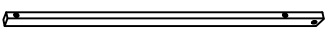




SA33825


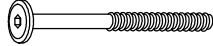
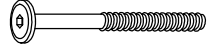
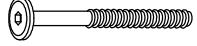





Detail View



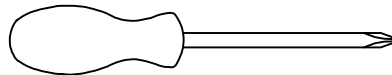
Part List

<p>A</p>  <p>Leg (Left Front/Right Back) - 2pcs</p>	<p>A1</p>  <p>Leg (Left Back/Right Front) - 2pcs</p>	<p>A2</p>  <p>Guard rail HB/FB - 2pcs</p>
<p>B</p>  <p>Guard rail (Left) - 1pc</p>	<p>B1</p>  <p>Guard rail (Right) - 1pc</p>	<p>C</p>  <p>Guard rail (Divider) - 1pc</p>
<p>D</p>  <p>Upper horizontal bar - 2pcs</p>	<p>E</p>  <p>Divider horizontal bar - 1pc</p>	<p>F</p>  <p>Horizontal bar (Left Back) - 1pc</p>
<p>G</p>  <p>Horizontal bar (Right Back) - 1pc</p>	<p>H</p>  <p>Horizontal bar (Left Front) - 1pc</p>	<p>J</p>  <p>Horizontal bar (Right Front) - 1pc</p>
<p>K</p>  <p>Block decor - 1pc</p>		

Hardware List

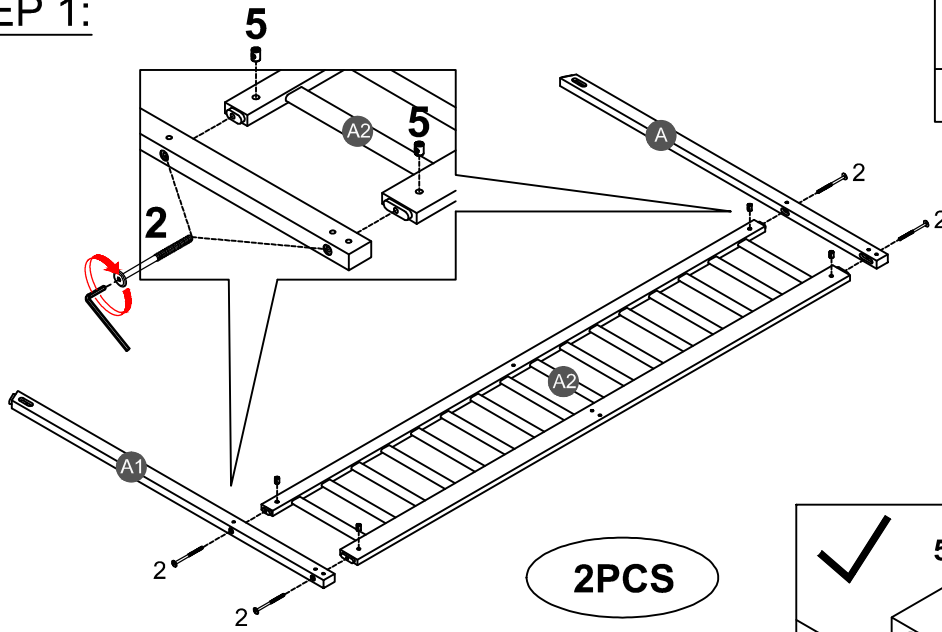
1  Ø8*30mm Wood dowel (6pcs)	2  (Ø15)1/4"*100mm Hex-Head bolts (8pcs)	3  (Ø15)1/4"*80mm Hex-Head bolts (14pcs)
4  (Ø15)1/4"*70mm Hex-Head bolts (4pcs)	5  1/4"*15 (9.5mm) Horizontal-Hole bolts(26pcs)	6  (Ø12)1/4"*65mm Hex-Head bolts (6pcs)
7  40*18*18*1.6mm Metal bracket (2pcs)	8  Ø3.5*15mm Wood screws (8pcs)	9  (1/4")4.5*58mm Allen key (1pc)

ASSEMBLY TOOLS REQUIRED (NOT INCLUDED)



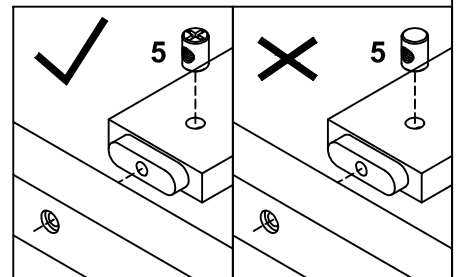
PLEASE BE CAREFUL DO NOT DAMAGE THE HOLE POSITION WHEN YOU USE POWER TOOLS !

STEP 1:

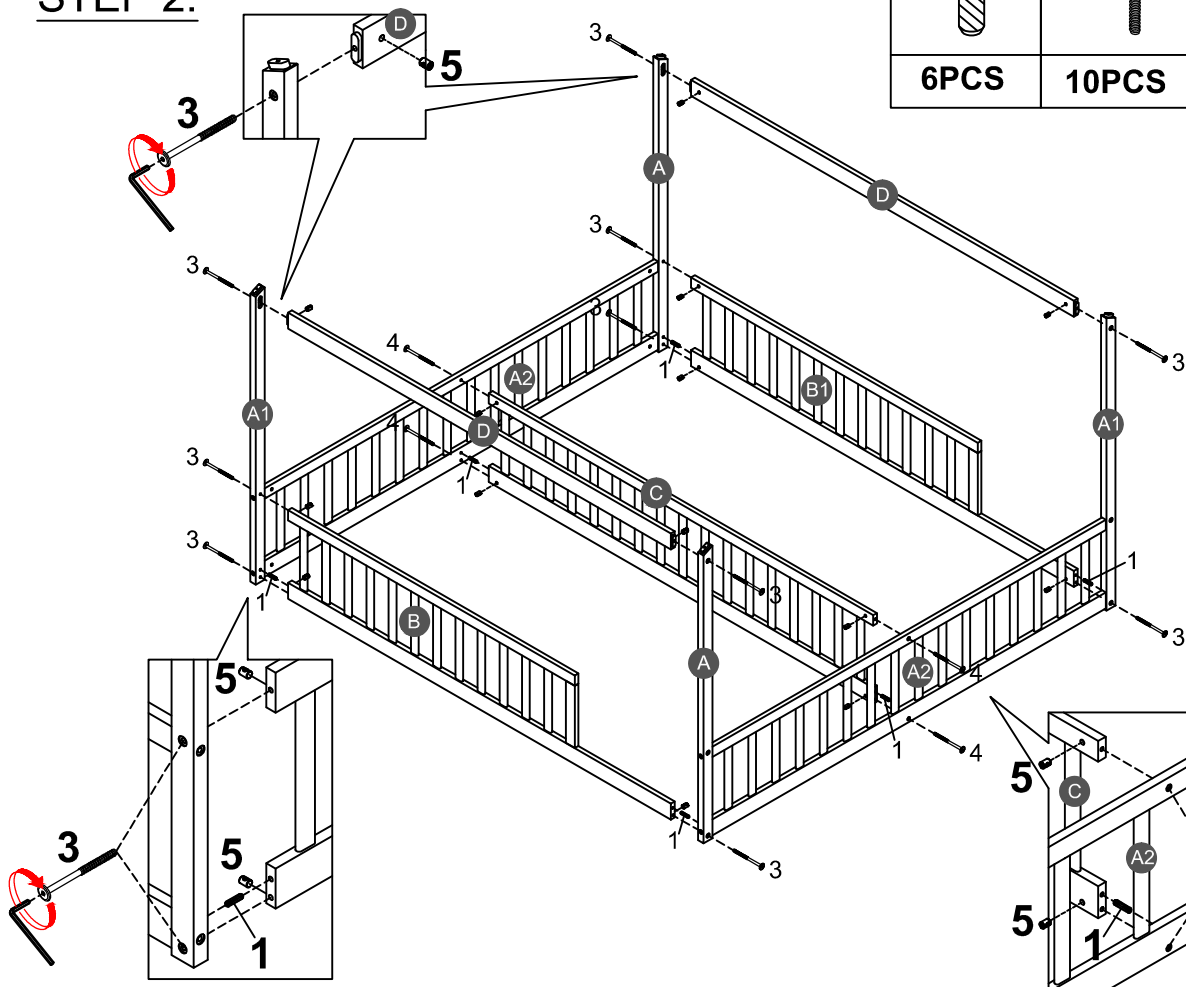


2		5	
8PCS		8PCS	

Note: Part 5 will face up with the "x" mark on it, otherwise it cannot be tightened

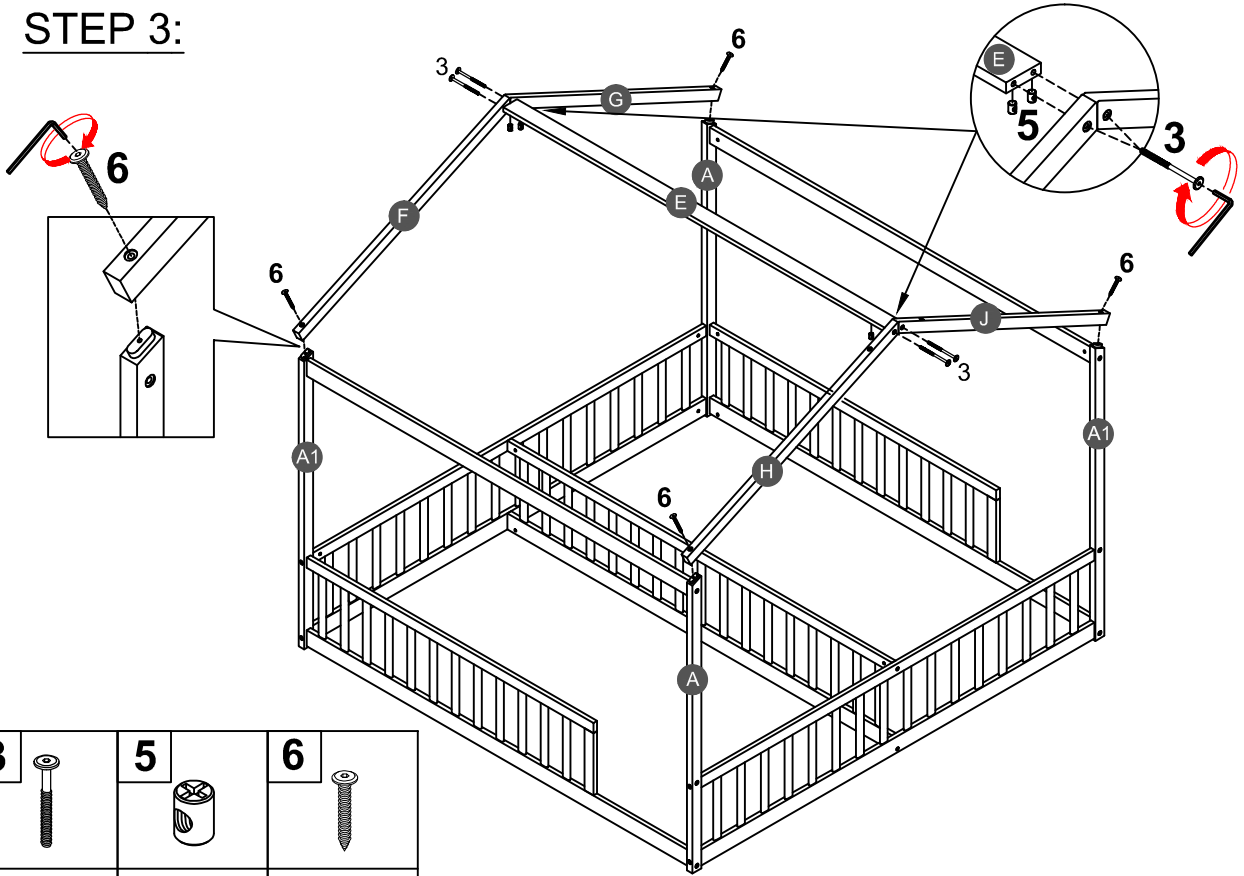





STEP 2:



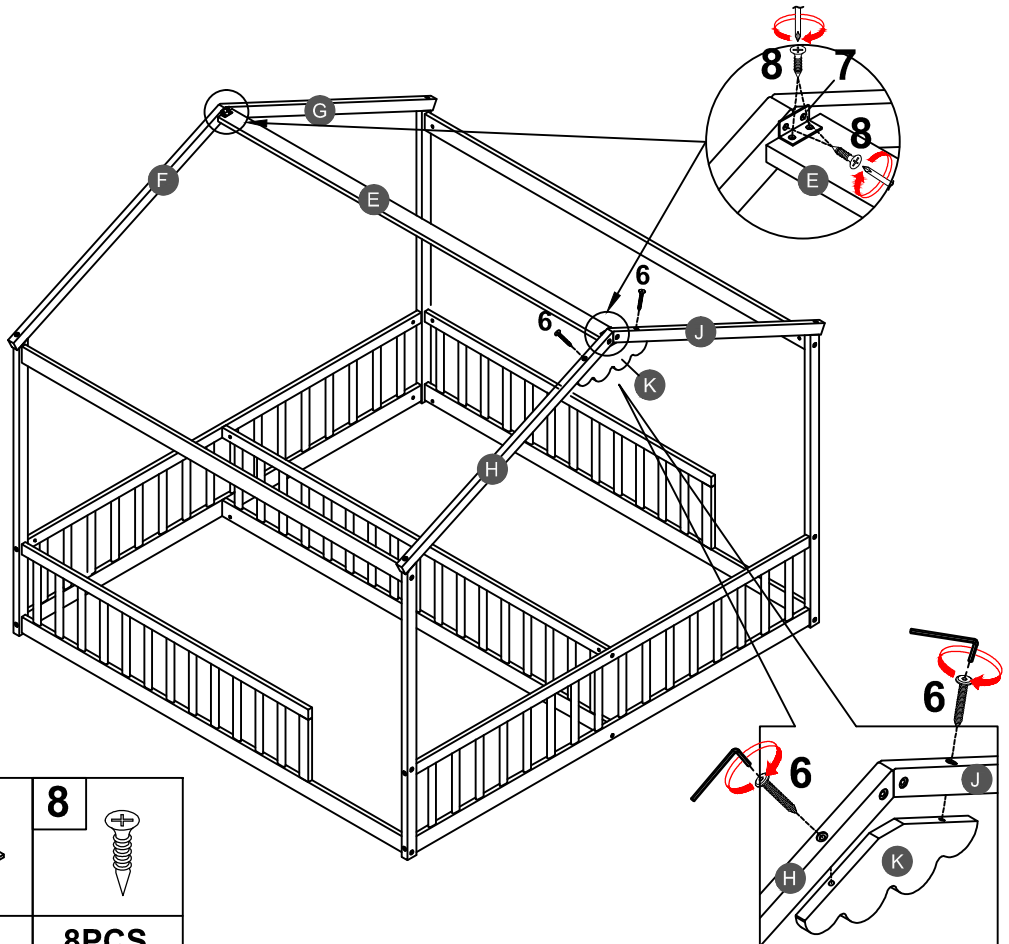
1		3		4	
6PCS		10PCS		4PCS	
					5
					10PCS




STEP 3:



3		5		6	
4PCS		4PCS		4PCS	

STEP 4:



6		7		8	
2PCS		2PCS		8PCS	