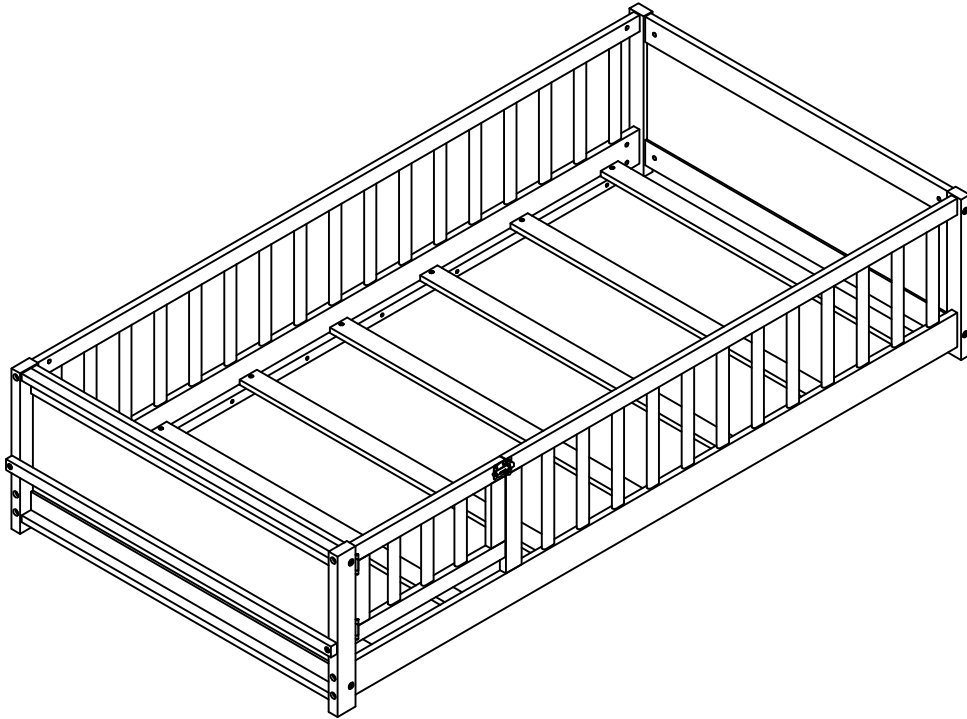


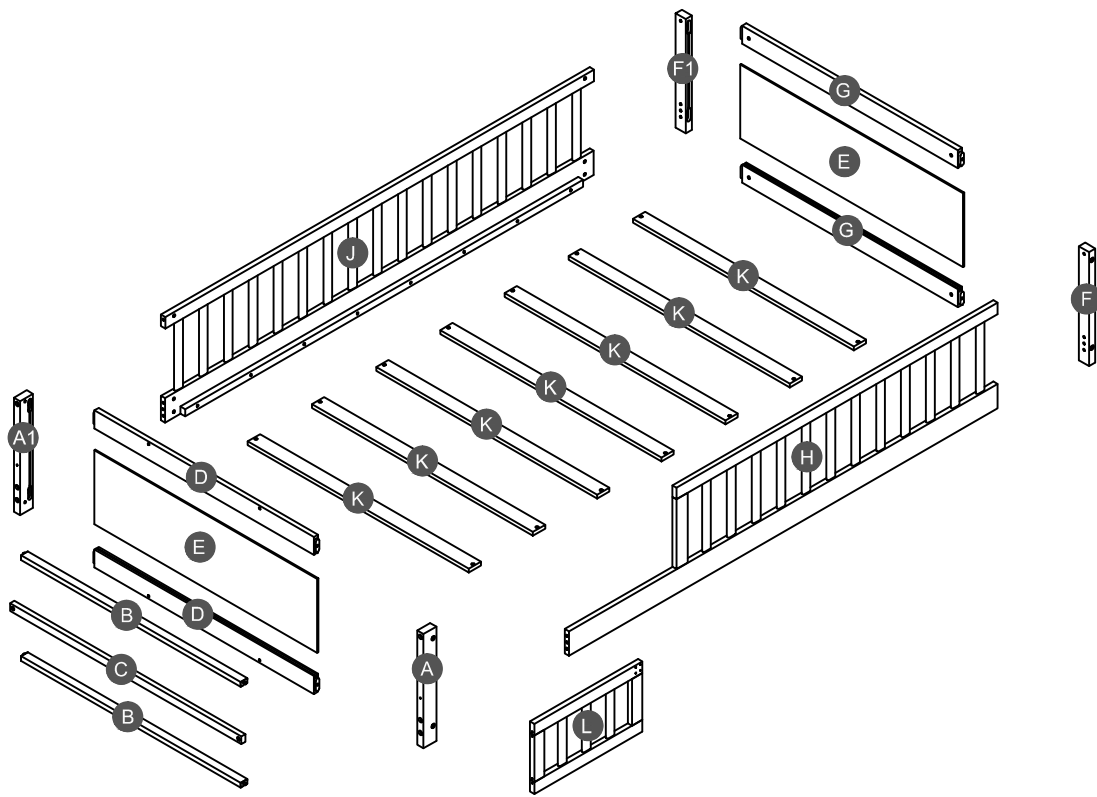
ASSEMBLY INSTRUCTIONS

TWIN FLOOR BED WITH BOOK SHELF (WITH DOOR)

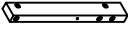
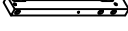
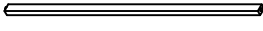
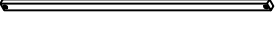
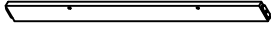
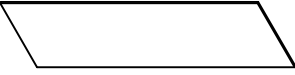
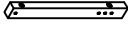

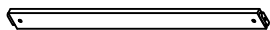
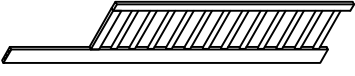
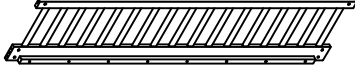
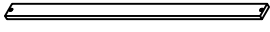
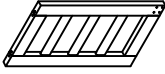


SA33819

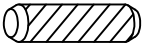
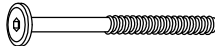
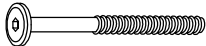
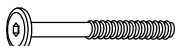


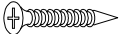

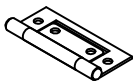

Detail View



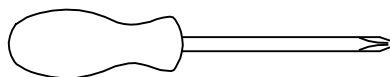
Part List

<p>A</p>  <p>Leg (Left Front) - 1pc</p>	<p>A1</p>  <p>Leg (Left Back) - 1pc</p>	<p>B</p>  <p>Horizontal bar FB - 2pcs</p>
<p>C</p>  <p>Divider horizontal bar FB - 1pc</p>	<p>D</p>  <p>Horizontal bar FB - 2pcs</p>	<p>E</p>  <p>Side panel HB/FB - 2pcs</p>
<p>F</p>  <p>Leg (Right Front) - 1pc</p>	<p>F1</p>  <p>Leg (Right Back) - 1pc</p>	<p>G</p>  <p>Horizontal bar HB - 2pcs</p>
<p>H</p>  <p>Guard rail (Front) - 1pc</p>	<p>J</p>  <p>Guard rail (Back) - 1pc</p>	<p>K</p>  <p>Slats - 7pcs</p>
<p>L</p>  <p>Door - 1pc</p>		

Hardware List

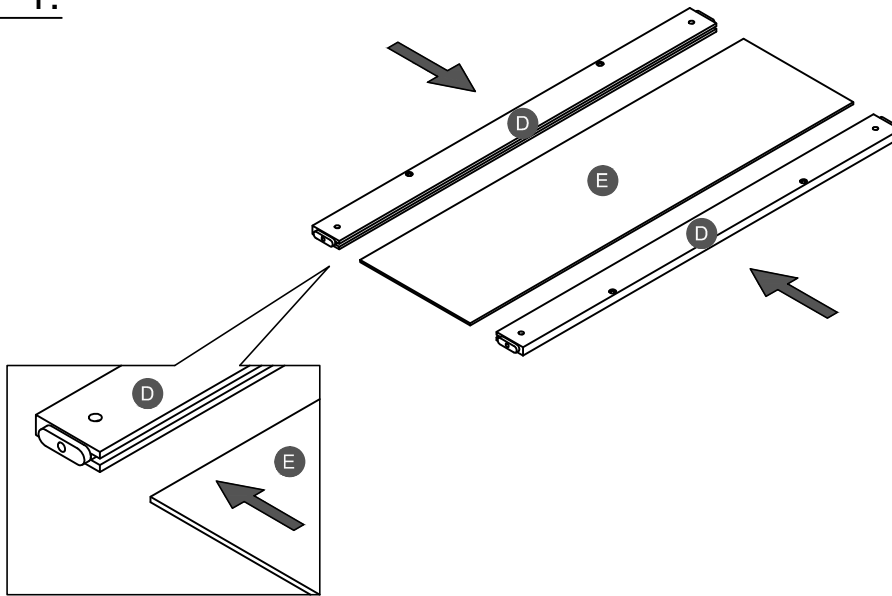
1  Ø8*30mm Wood dowel (4pcs)	2  (Ø15)1/4"*100mm Hex-Head bolts (5pcs)	3  (Ø15)1/4"*80mm Hex-Head bolts (10pcs)
4  (Ø12)1/4"*70mm Hex-Head bolts (4pcs)	5  1/4"*15 (9.5mm) Horizontal-Hole bolts(19pcs)	6  (Ø12)1/4"*40mm Hex-Head bolts (6pcs)
7  Ø4*30mm Wood screws (14pcs)	8  (1/4")4.5*58mm Allen key (1pc)	9  55*24*6mm(135°) Hinges (2pcs)
10  60*40*10mm Lock (1pc)	11  Ø3.5*15mm Wood screws (14pcs)	

ASSEMBLY TOOLS REQUIRED (NOT INCLUDED)

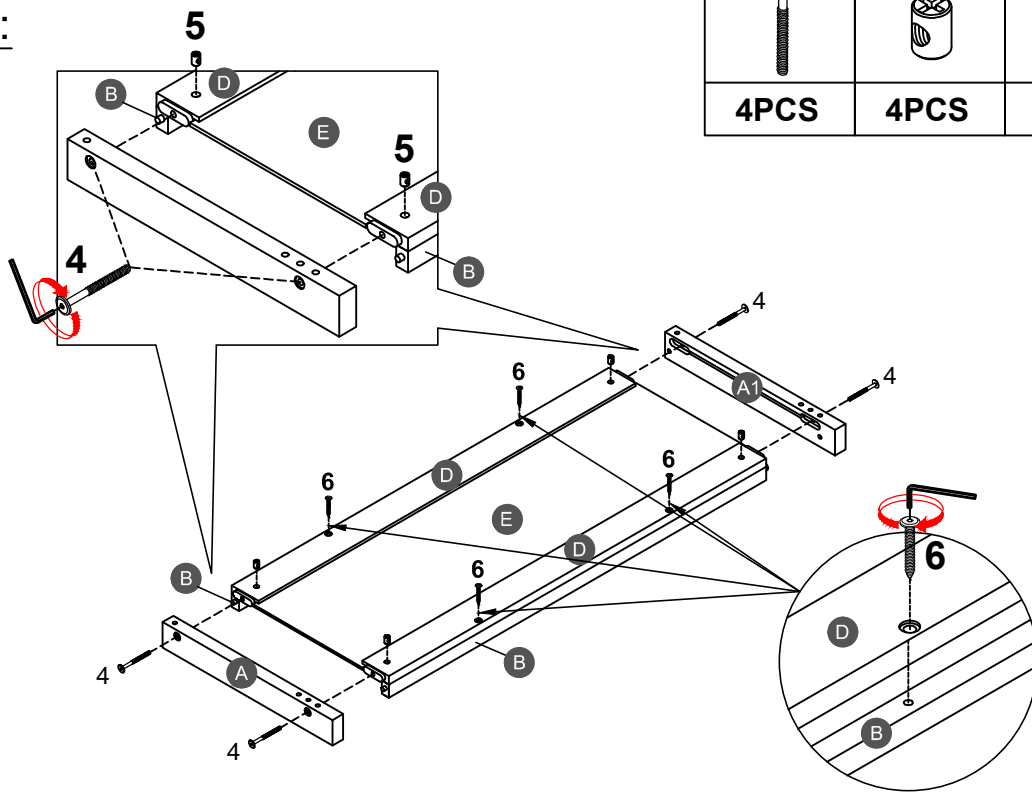





PLEASE BE CAREFUL DO NOT DAMAGE THE HOLE POSITION WHEN YOU USE POWER TOOLS !

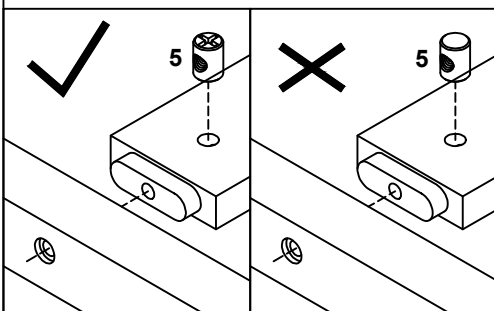
STEP 1:



STEP 2:



4		5		6	
4PCS		4PCS		4PCS	



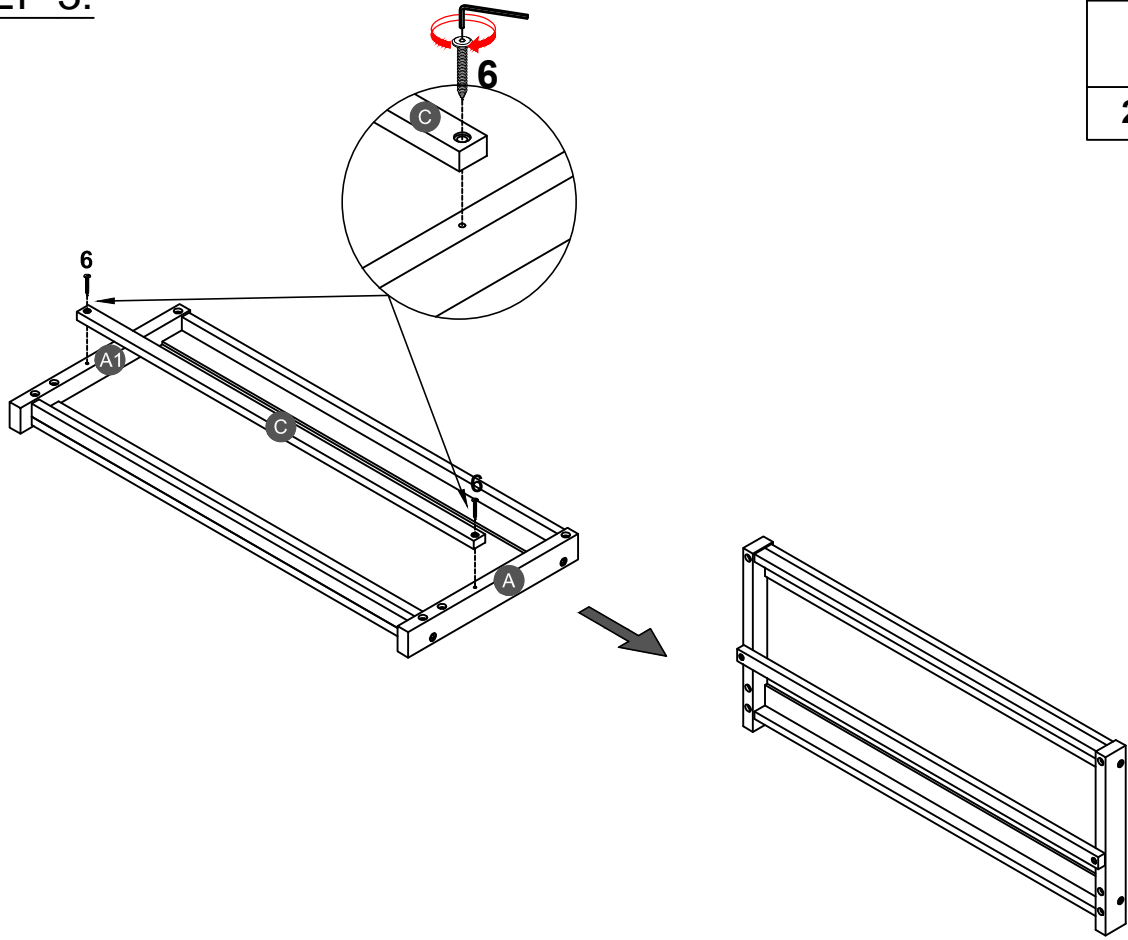
Note: Part 5 will face up with the "x" mark on it, otherwise it cannot be tightened

STEP 3:

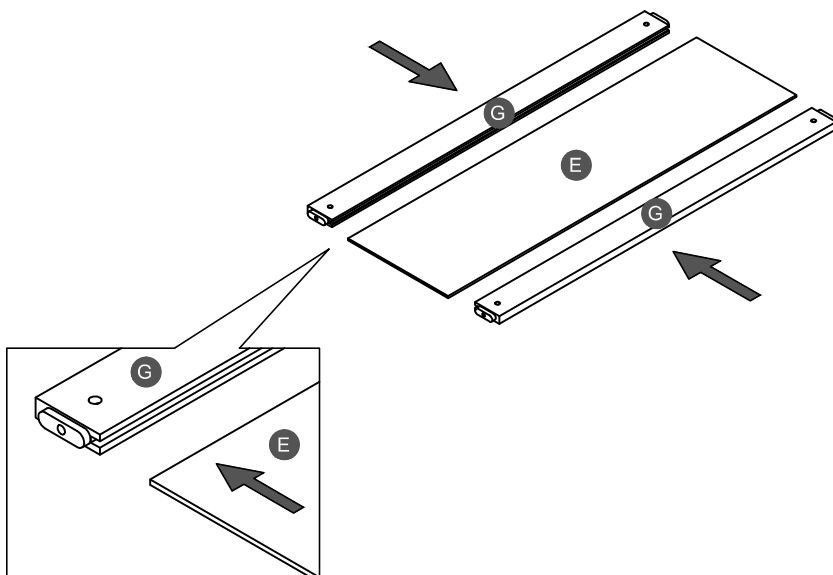
6



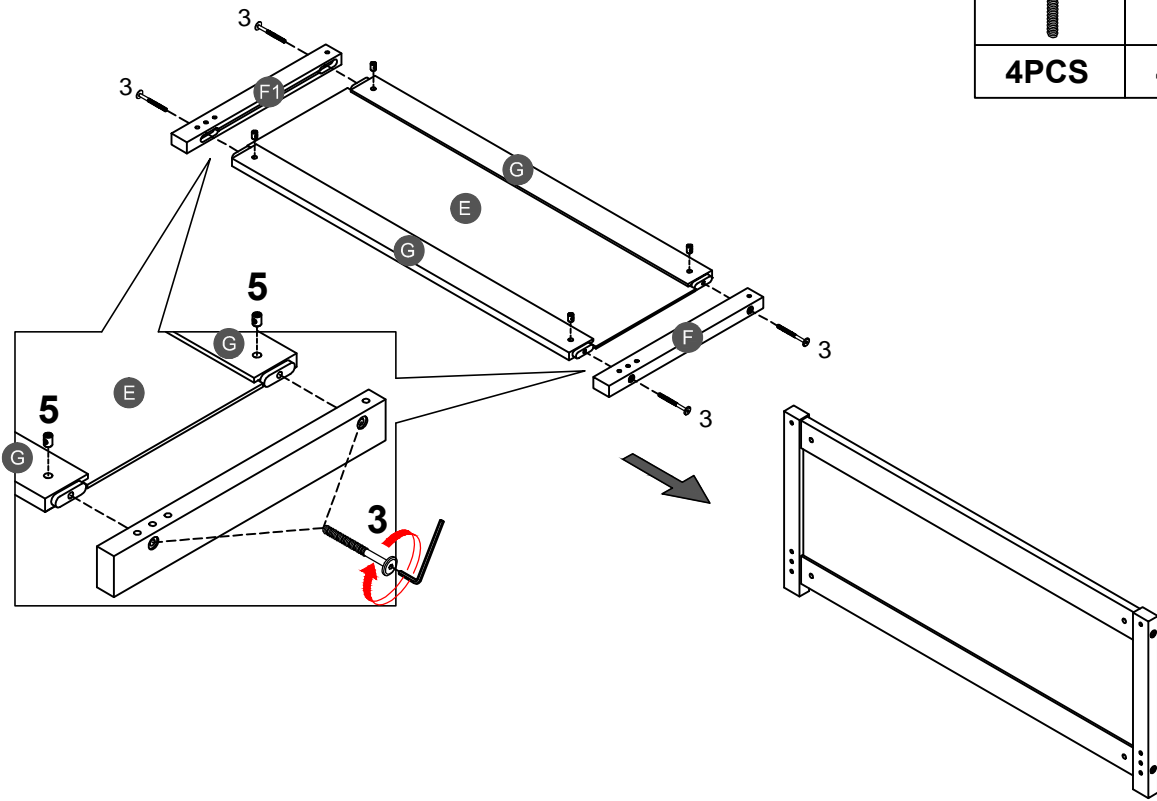
2PCS



STEP 4:

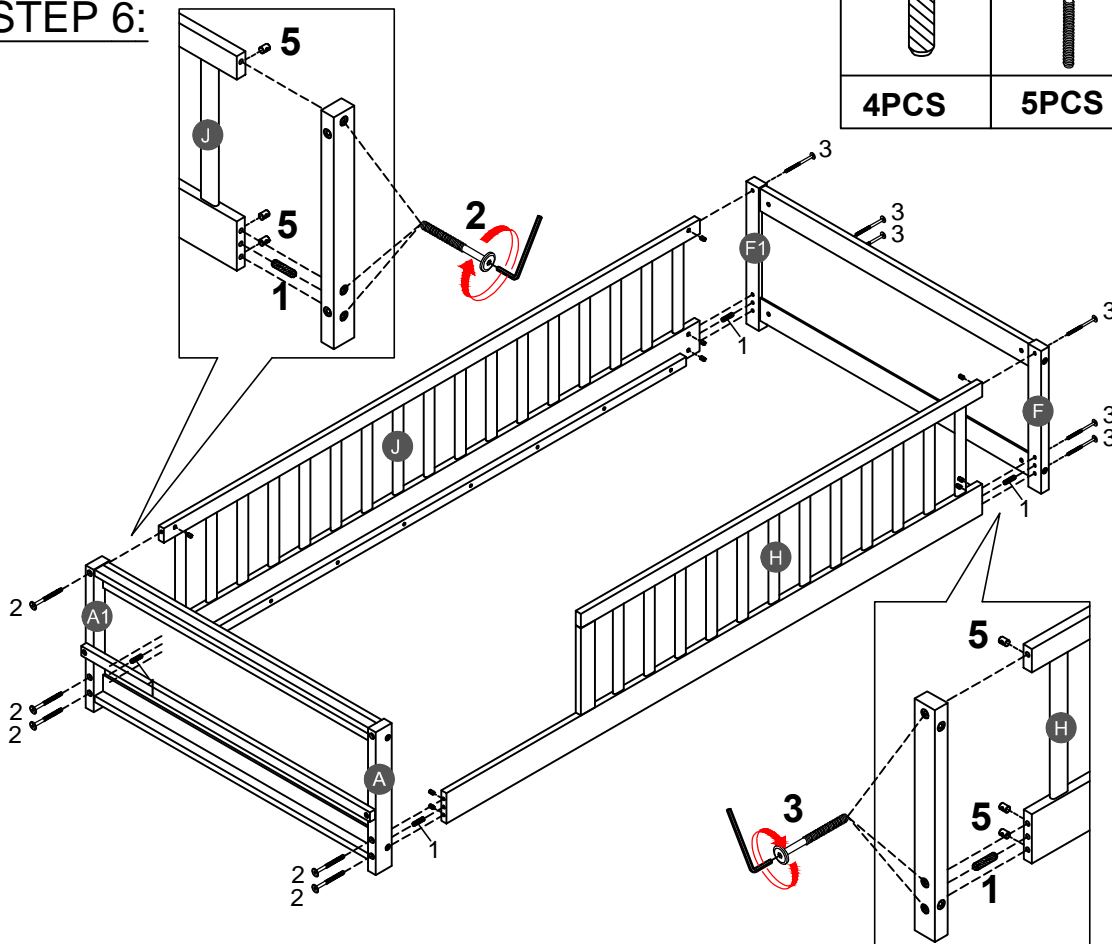


STEP 5:



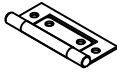

3		5	
4PCS		4PCS	

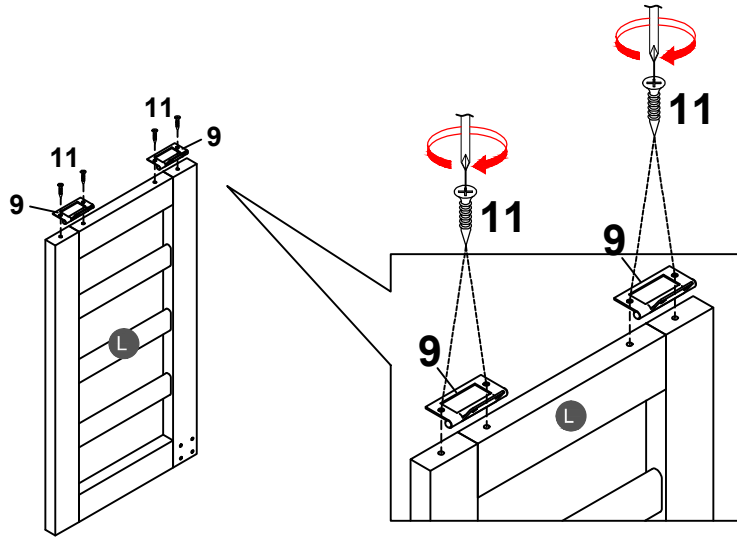
STEP 6:




1		2		3		
4PCS		5PCS		6PCS		
					5	
11PCS						

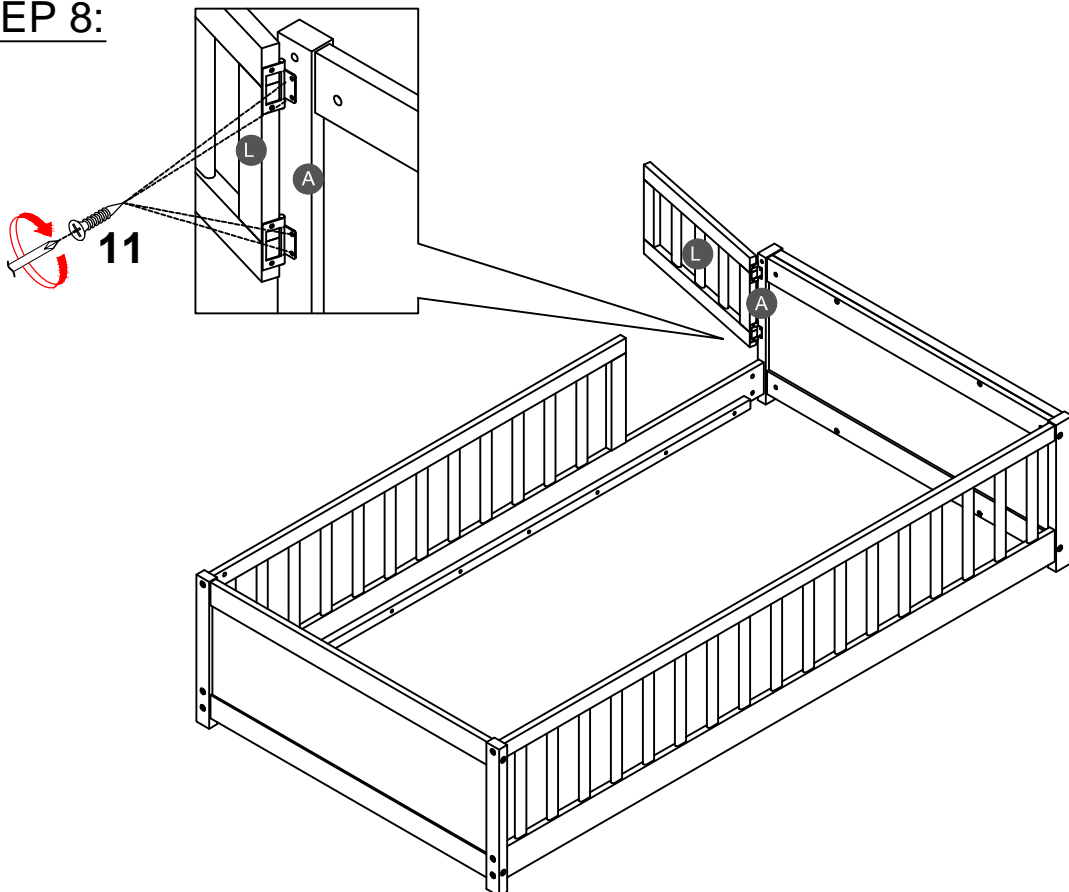
STEP 7:

9 	11 
2PCS	4PCS

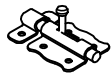



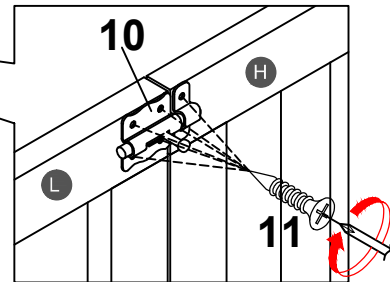
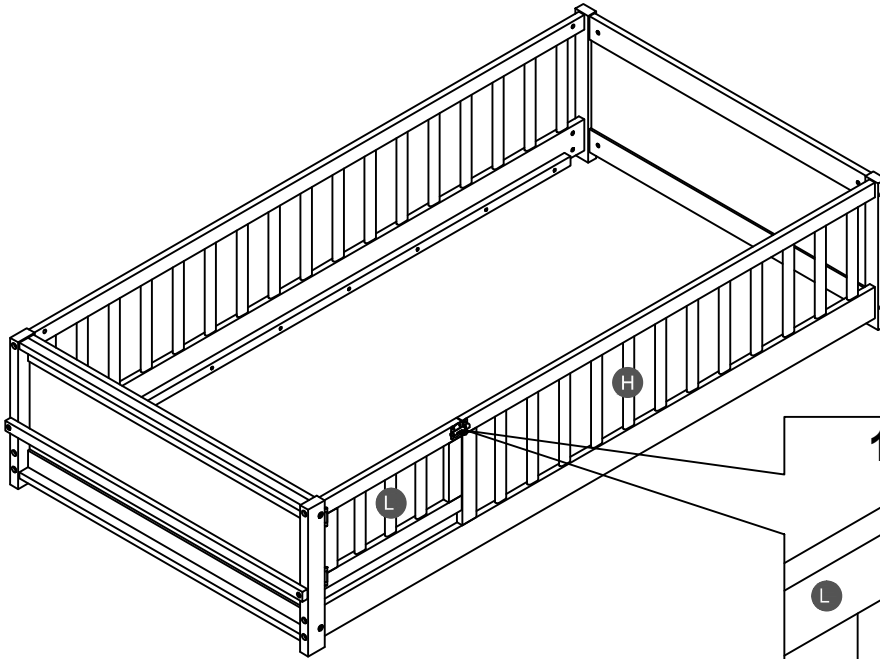
STEP 8:

11 
4PCS




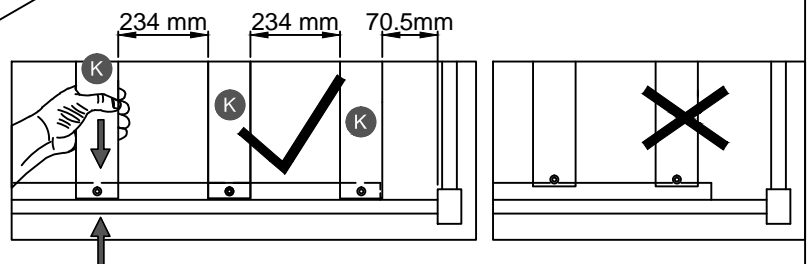
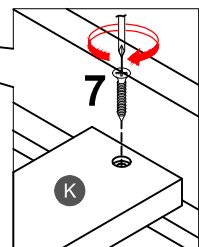
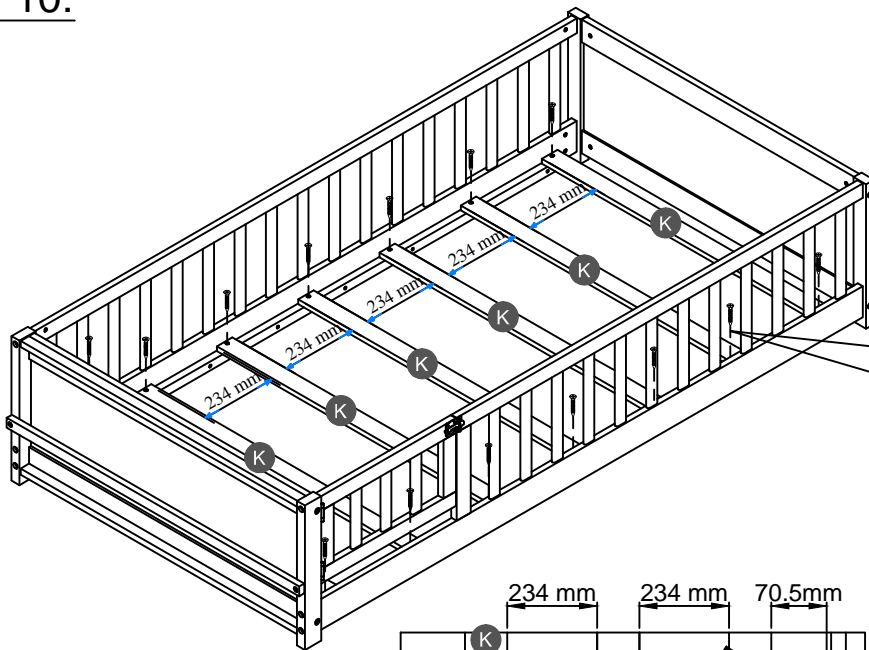
STEP 9:

10	11
	
1PC	6PCS



STEP 10:

7

14PCS



NOTE: Please make sure the bed slats close to the side rail before locking the screws to avoid breakage. This step is required for both the left and right sides. Moreover, please do not lock the screws of the bed slats at the outermost edge to avoid damaging