

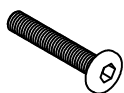
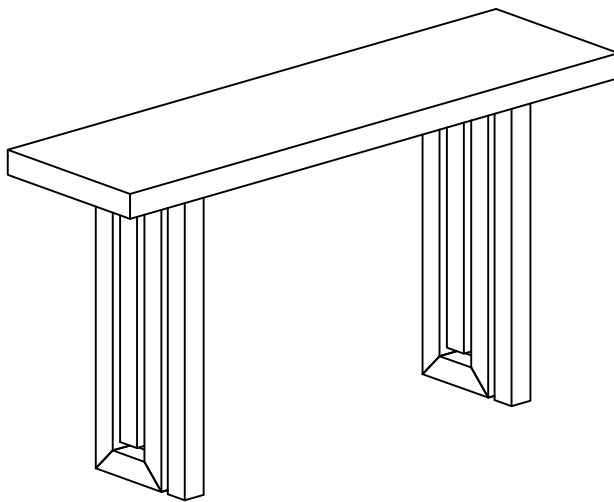
Assembly Instructions

ITEM NO:N711P170550K-B
CONSOLE TABLE

Thank you for purchasing this quality product. Besure to check all packing material scarefully for small parts, which may have come loose inside the carton during shipment. I dentify and countall items and compare with the PARTSLIST and/or HARDWARELIST shown below.

Caution: Please read their structions thoroughly before assembly.

- 1.We recommend that you assemble this product with the assistance of another person; this will make the assembly easier,and will helpe liminate damage to the product or injury to persons during assembly.
- 2.Please do not over tighten screws o rbolts until the assembly is completed.
- 3.Please putall parts on a non-abrasive floor before assembly,and follow the assembly steps to assemble your newly purchased product correctly and effcently.



① 8*40mm: 8 PCS



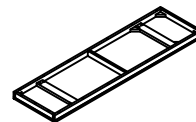
② 8.5*13*2mm: 8 PCS



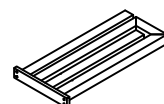
③ 8.5*19*2mm: 8 PCS



④ : 1 PC



Ⓐ : 1 PC



Ⓑ : 2 PCS

