

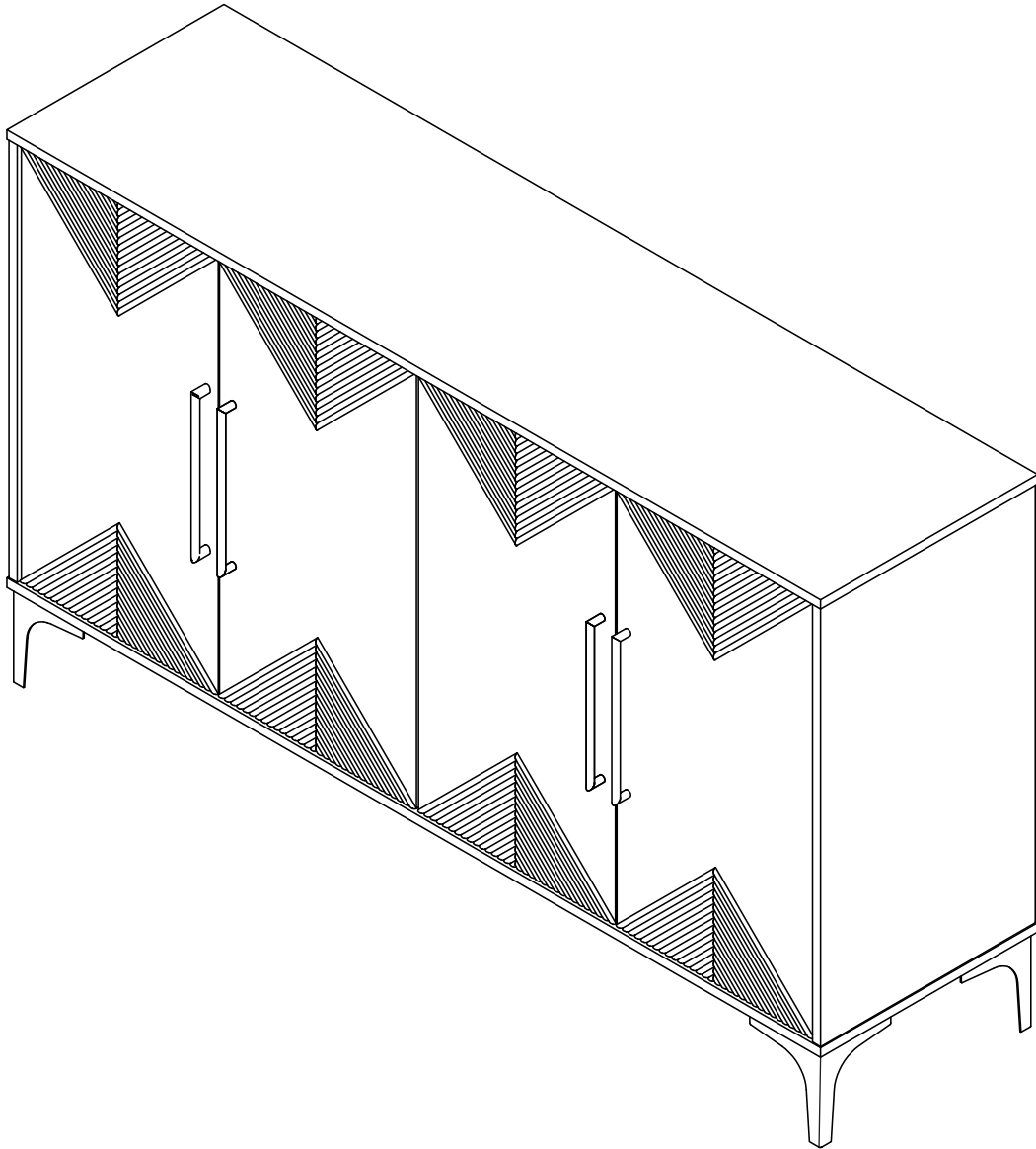
Assembly Instructions

ITEM # N711P175837 SIDEBORD 4 DOORS

Thank you for purchasing this quality product. Be sure to check all packing materials carefully for small parts, which may have come loose inside the carton during shipment. Identify and count all items and compare with the PARTS LIST and/or HARDWARE LIST shown below.

Caution: Please read the instructions thoroughly before assembly.

1. We recommend that you assemble this product with the assistance of another person; this will make the assembly easier, and will help eliminate damage to the product or injury to persons during assembly.
2. Please do not over tighten screws or bolts until the assembly is completed.
3. Please put all parts on a non-abrasive floor before assembly, and follow the assembly steps to assemble your newly purchased product correctly and efficiently.


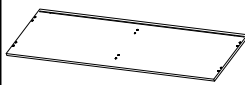
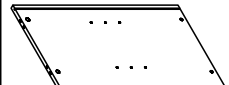
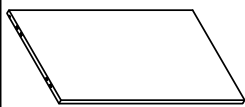
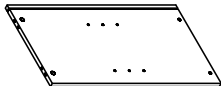
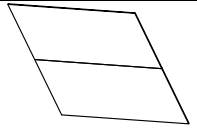
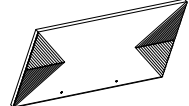
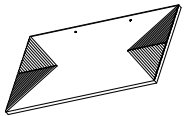
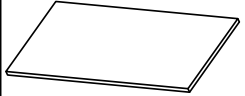



1. Note: This is not a clothing storage cabinet and it is not recommended to use it as a clothing storage cabinet.
2. All cabinets come with TRD, stainless steel or our "L-Bracket" when shipped.

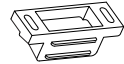



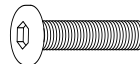
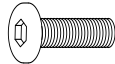
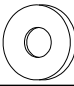






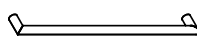

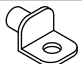

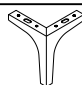

Assembly Instructions

ITEM # N711P175837 SIDEBOARD 4 DOORS

PARTS LIST

NO.	COMPONENT	SKETCH	QTY.
A	TOP		1 PC
B	BOTTOM		1 PC
C	LEFT SIDE		1 PC
D	RIGHT SIDE		1 PC
E	MIDDLE PANEL		1 PC
F	BACK PANEL		2 PCS
G	RIGHT DOORS		2 PCS
H	LEFT DOORS		2 PCS
I	SHELF		2 PCS
J	SUPPORT LEG		1 PC

HARDWARE LIST

No	COMPONENT	SKETCH	QTY
1	Doorstop		4 PCS
2	Cam Bolt 6 x L28		6 PCS
3	Cam Lock 10 x 15		6 PCS
4	Wooden dowel 8 x 30		12 PCS
5	Long Bolt 1/4 x 38		6 PCS
6	Short bolt 1/4 x 12		8 PCS
7	Flat washer 1/4 x 13		14 PCS
8	Spring washer 1/4 x 12		14 PCS
9	Flat screw 3 x 15		72 PCS
10	Mushroom screw 4 x 15		16 PCS
11	T nuts 9 x 11		6 PCS
12	Hinger		8 PCS
13	Sniff the door 10 x 30		4 PCS
14	Handle 11 x 27 x 265		4 PCS
15	Bolt of handle M4 x 20		8 PCS
16	Support Shelves M6 x 10		8 PCS
17	Allen key K4		1 PC
18	Metal Legs H150		4 PCS
19	Antitip Kit		1 PC

IMPORTANT

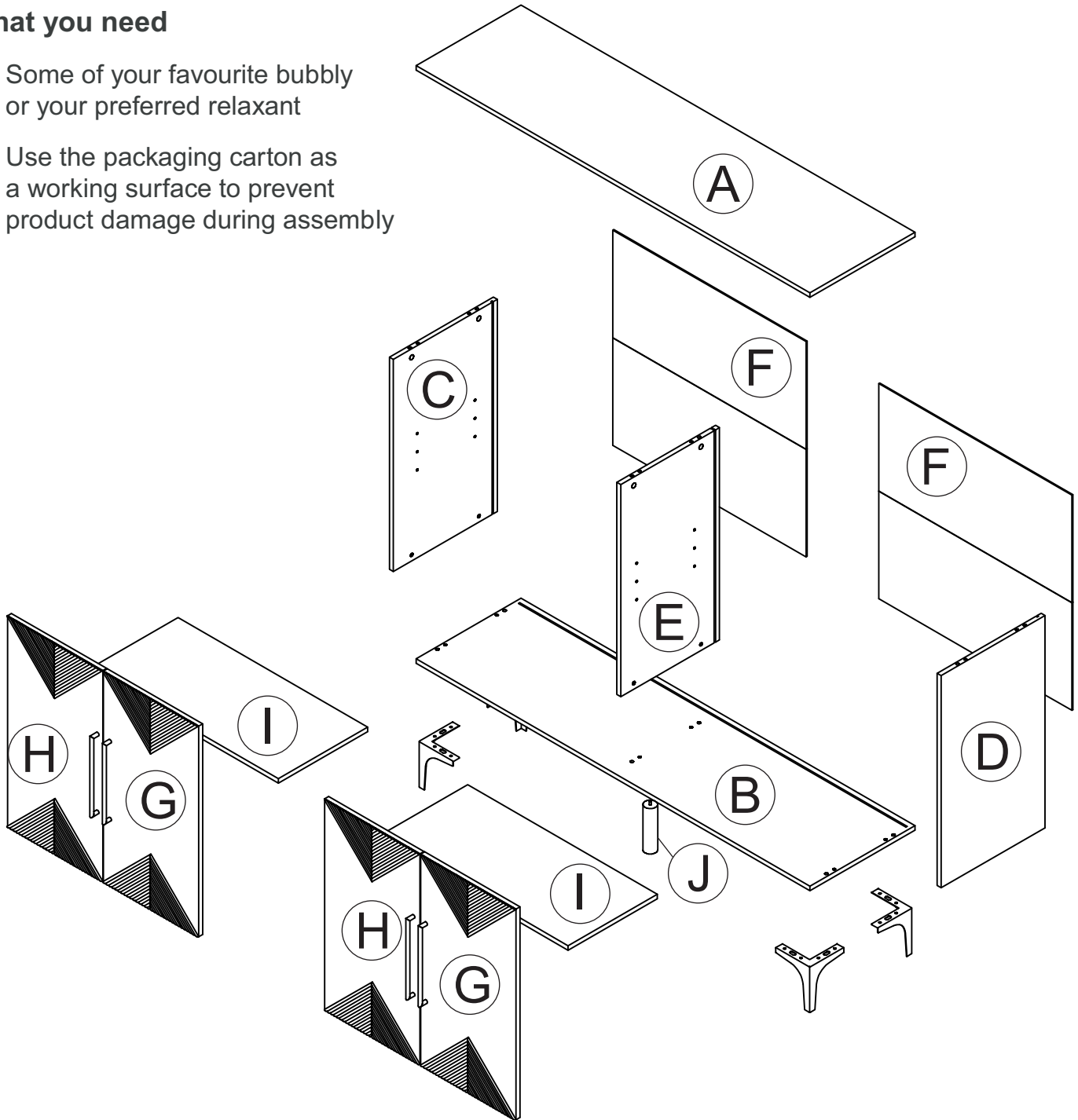
1. Do not tighten bolts / screws completely until all bolts / screws are lined up and inserted into holes.
2. Do not over tighten screws and bolts to avoid stripping.
3. Please use hand tools to assemble this product. Do not use power tools.

Assembly Instructions

ITEM # N711P175837 SIDEBOARD 4 DOORS

What you need

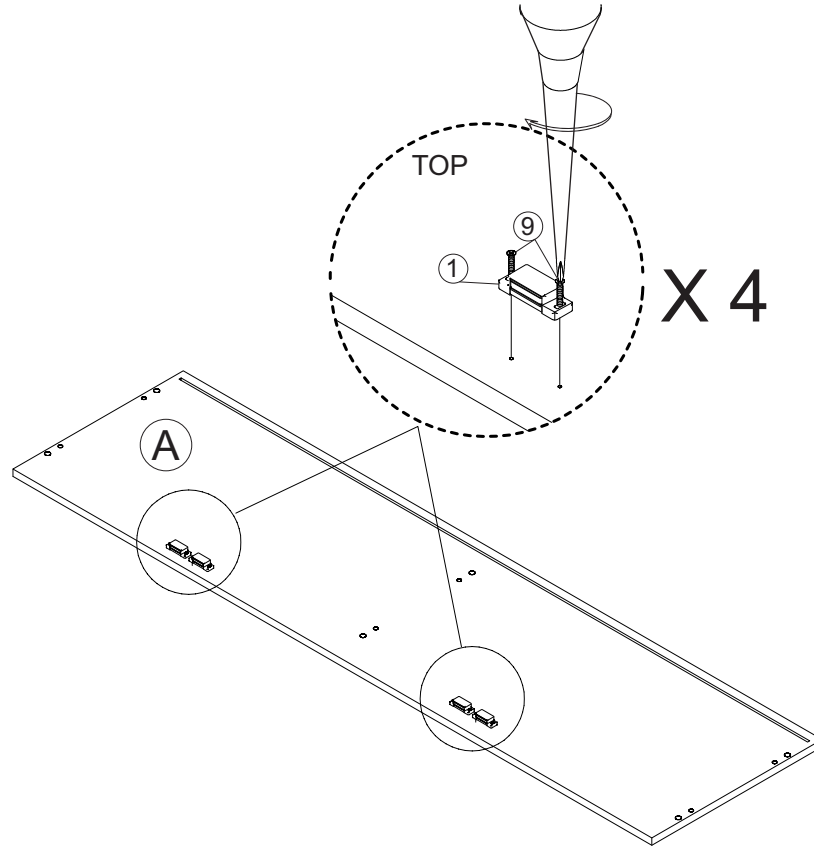
- Some of your favourite bubbly or your preferred relaxant
- Use the packaging carton as a working surface to prevent product damage during assembly



Assembly Instructions

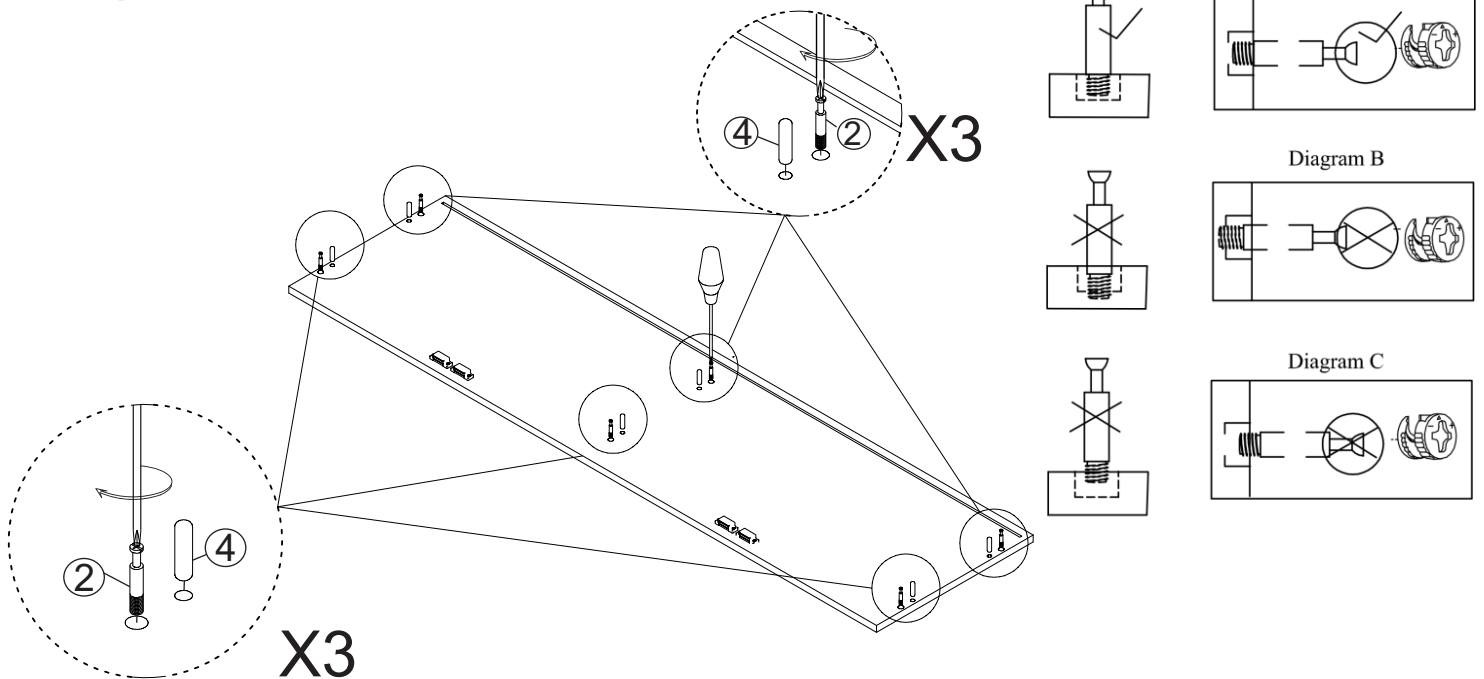
ITEM # N711P175837 SIDEBOARD 4 DOORS

Step 1



A X 1 ① X 4 ⑨ X 8

Step 2

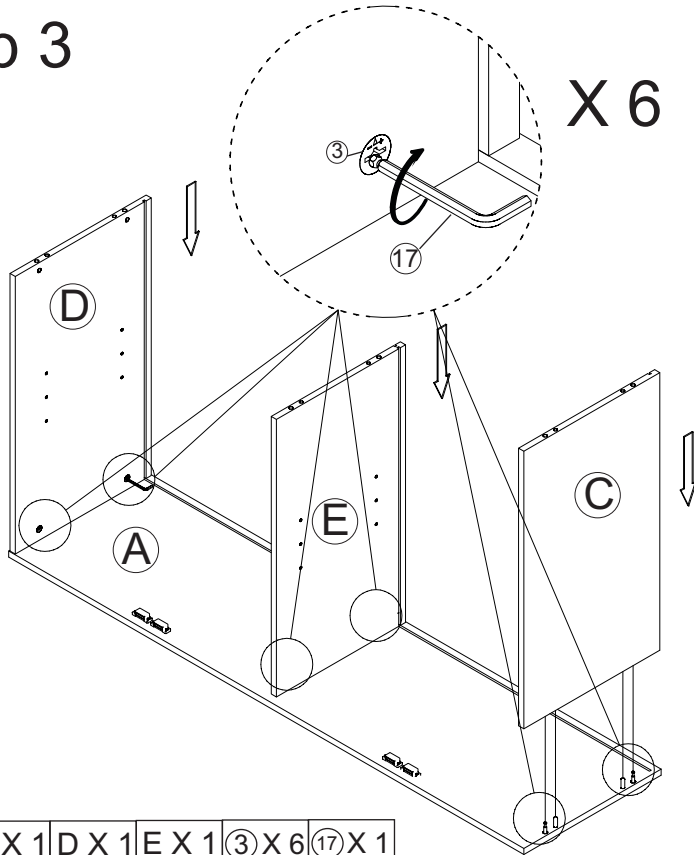


A X 1 ② X 6 ④ X 6

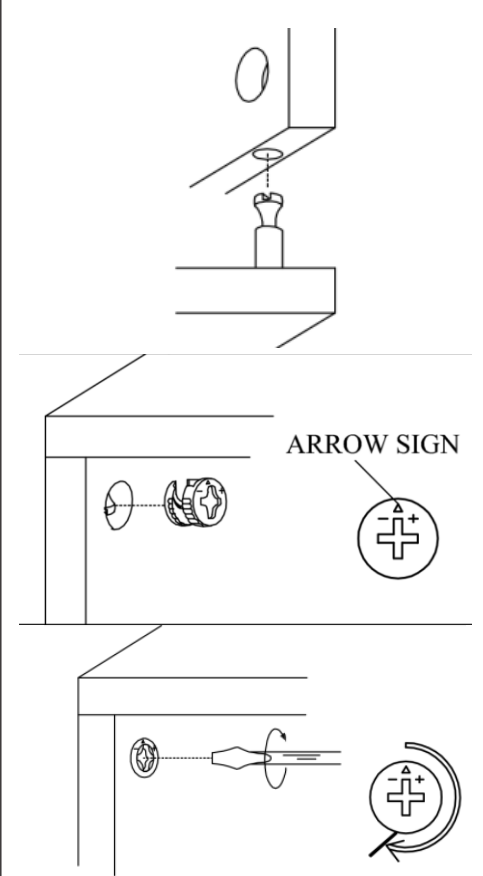
Assembly Instructions

ITEM # N711P175837 SIDEBOARD 4 DOORS

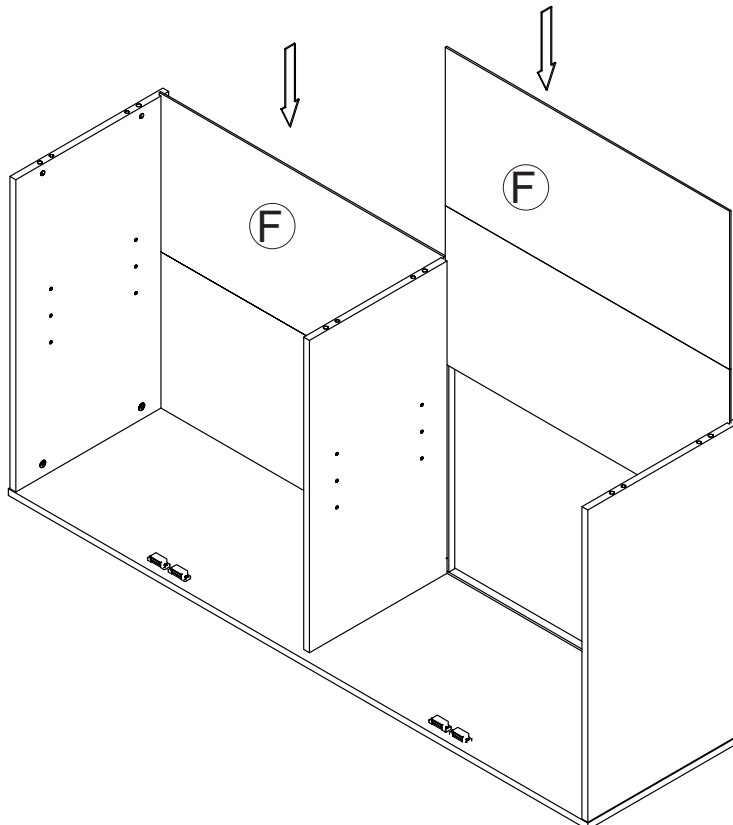
Step 3



A X 1 | C X 1 | D X 1 | E X 1 | ③ X 6 | ⑰ X 1



Step 4

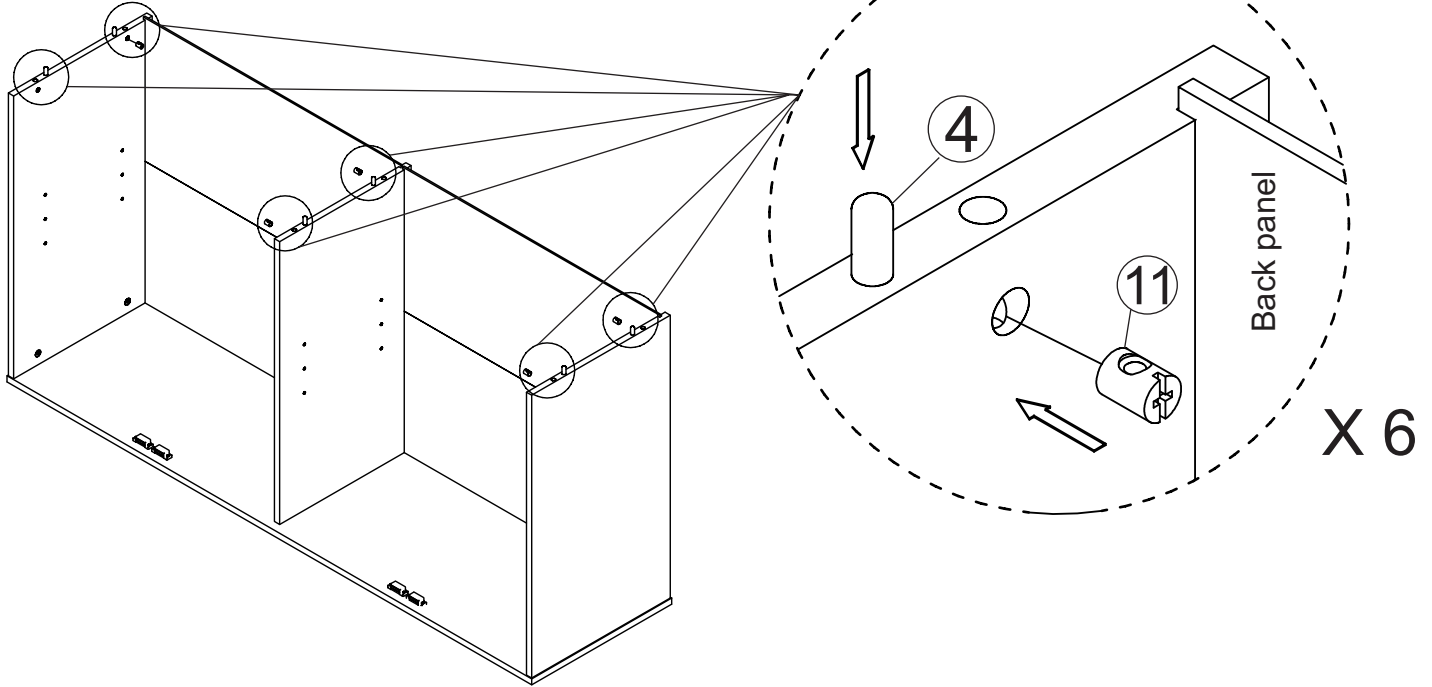


F X 2

Assembly Instructions

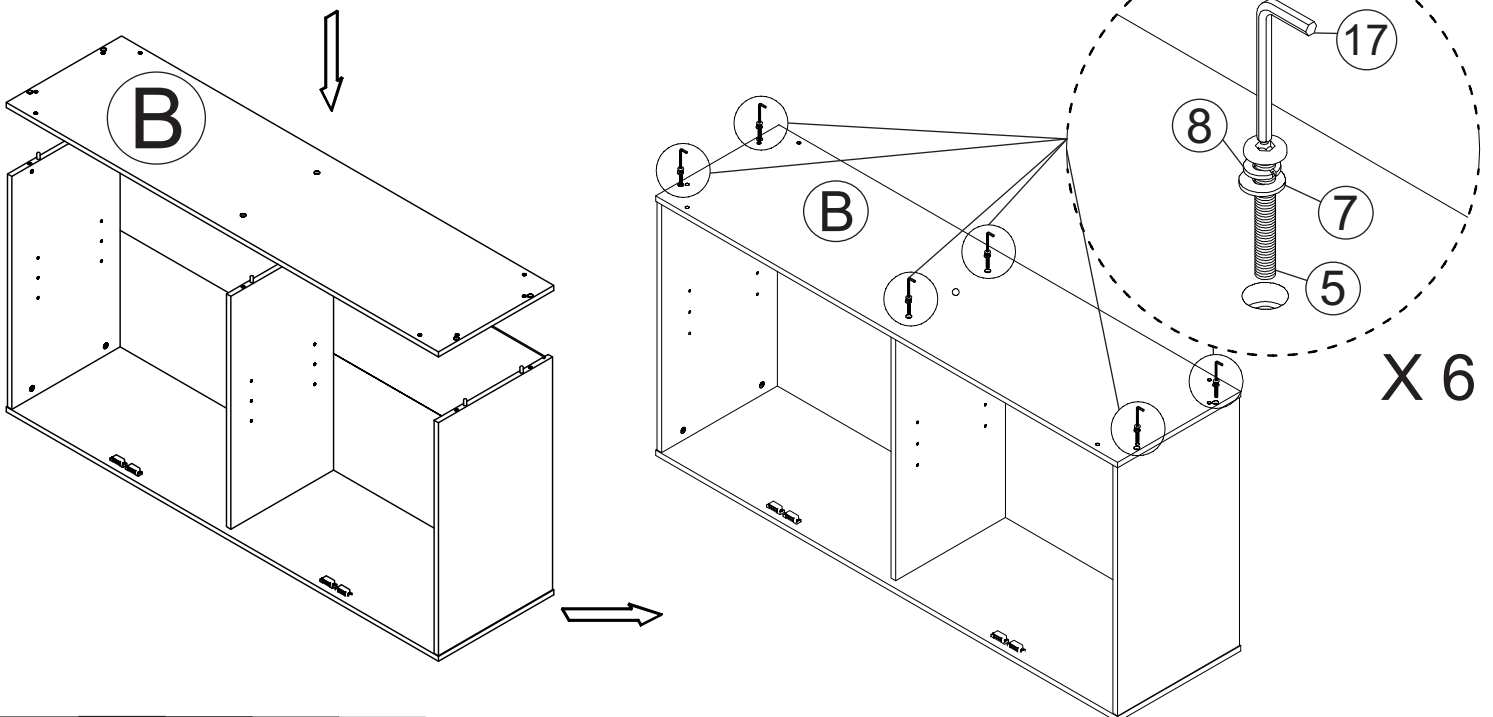
ITEM # N711P175837 SIDEBOARD 4 DOORS

Step 5



④ X 6 ⑪ X 6

Step 6

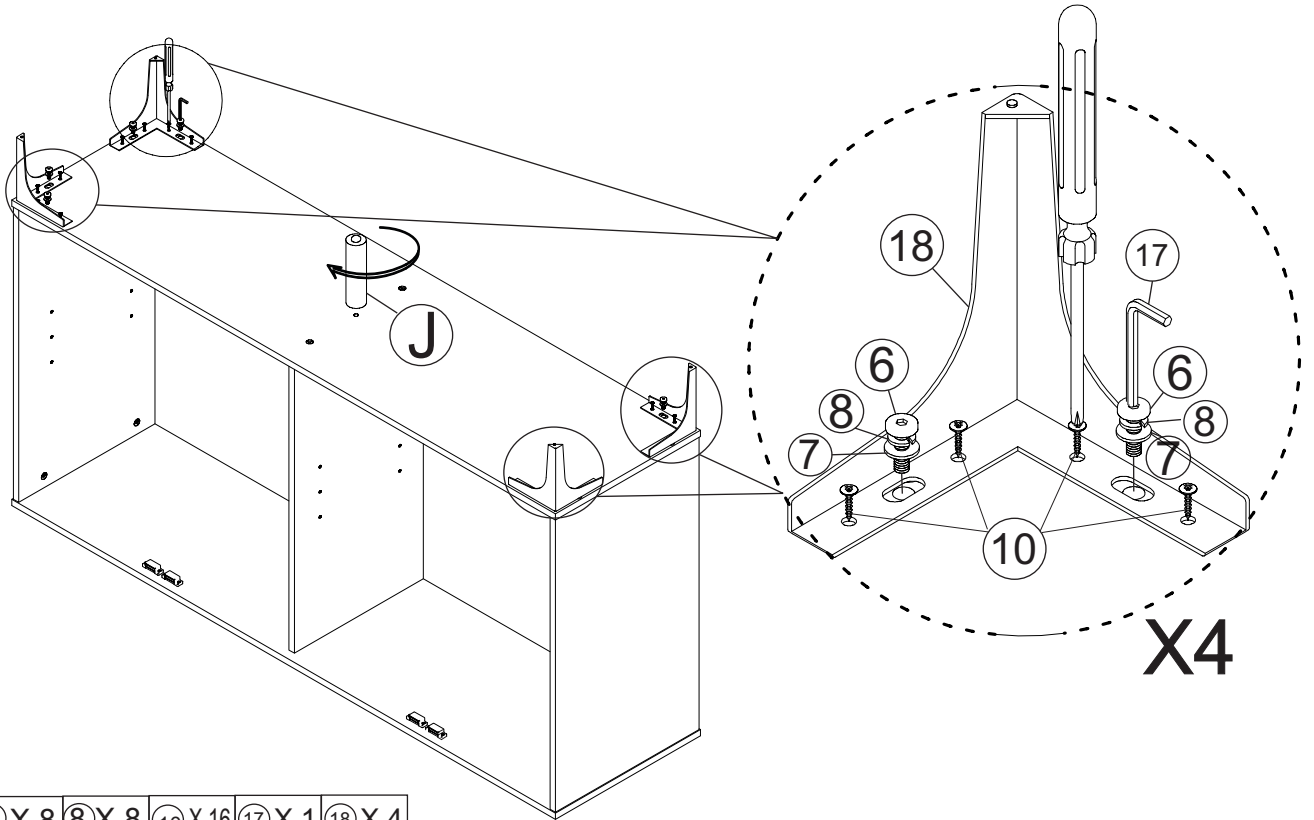


B X 1 ⑤ X 6 ⑦ X 6 ⑧ X 6 ⑰ X 1

Assembly Instructions

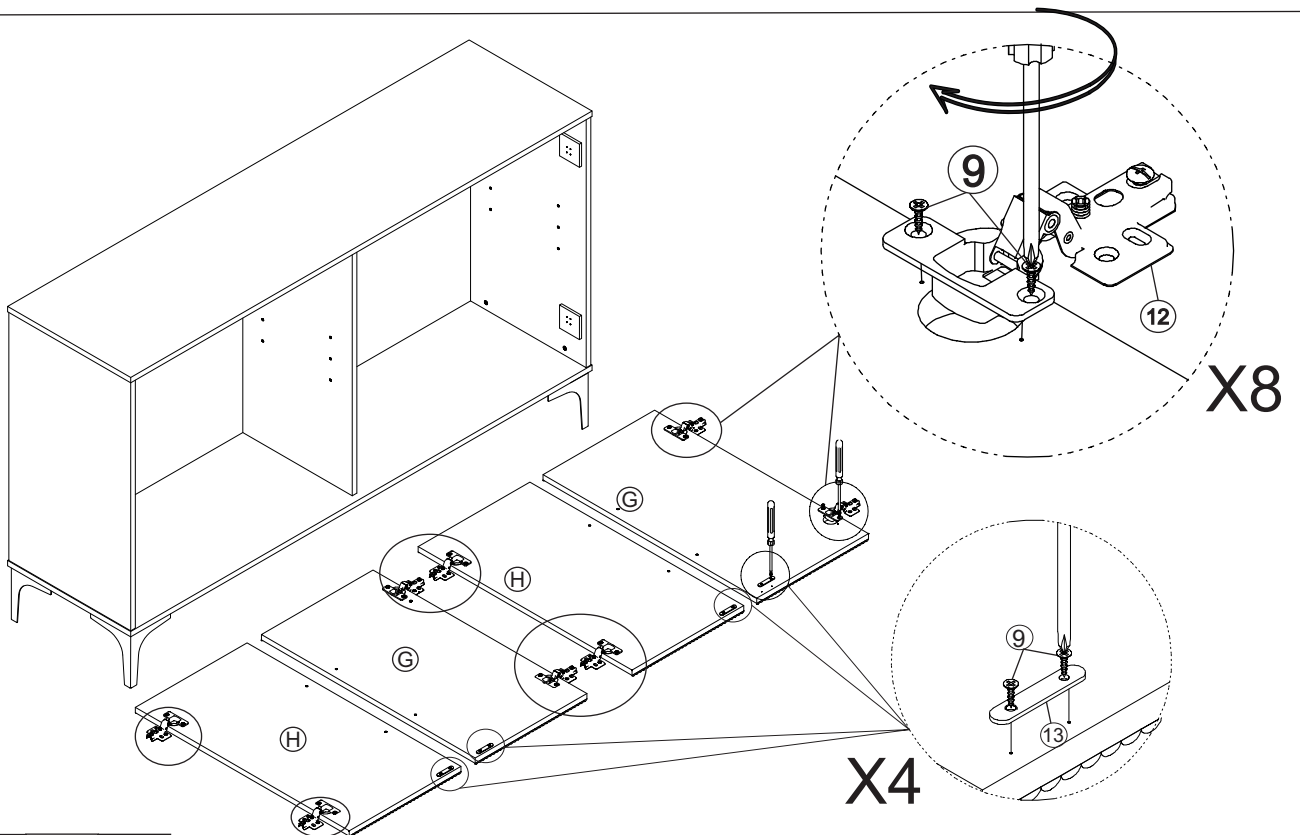
ITEM # N711P175837 SIDEBOARD 4 DOORS

Step 7



J X 1 ⑥ X 8 ⑦ X 8 ⑧ X 8 ⑩ X 16 ⑰ X 1 ⑱ X 4

Step 8



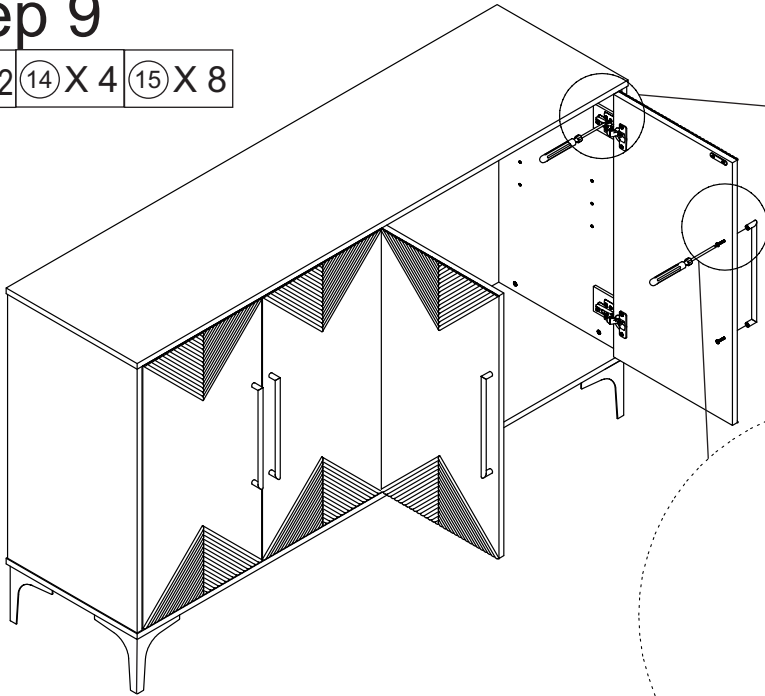
H X 2 G X 2 ⑨ X 24 ⑫ X 8 ⑬ X 4

Assembly Instructions

ITEM # N711P175837 SIDEBOARD 4 DOORS

Step 9

⑨ X 32 ⑭ X 4 ⑮ X 8

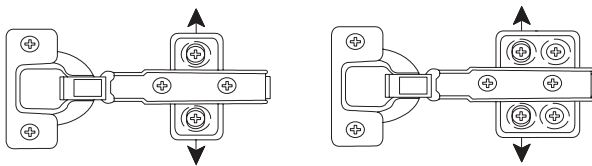
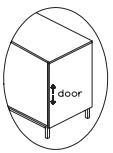


X 8

Is your cabinet door looking crooked or unevenly spaced?

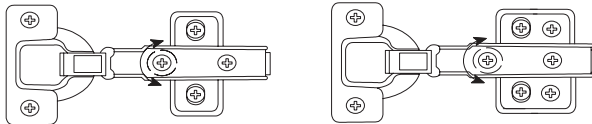
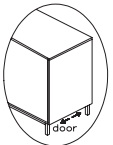
Then you've come to the right place. Follow the illustrations below to get your cabinet door aligned and ready for action.

If your door is too low or too high...



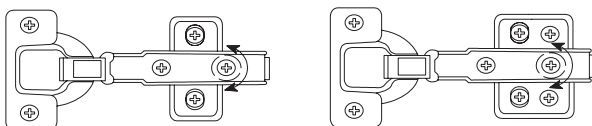
Loosen the height screws, then move the door up or down to make it level.

If the space between your doors is off...



Loosen the side-to-side screws, then screw counter-clockwise to make the gap wider or clockwise to close any gaps.

If you need to adjust the depth of the doors...



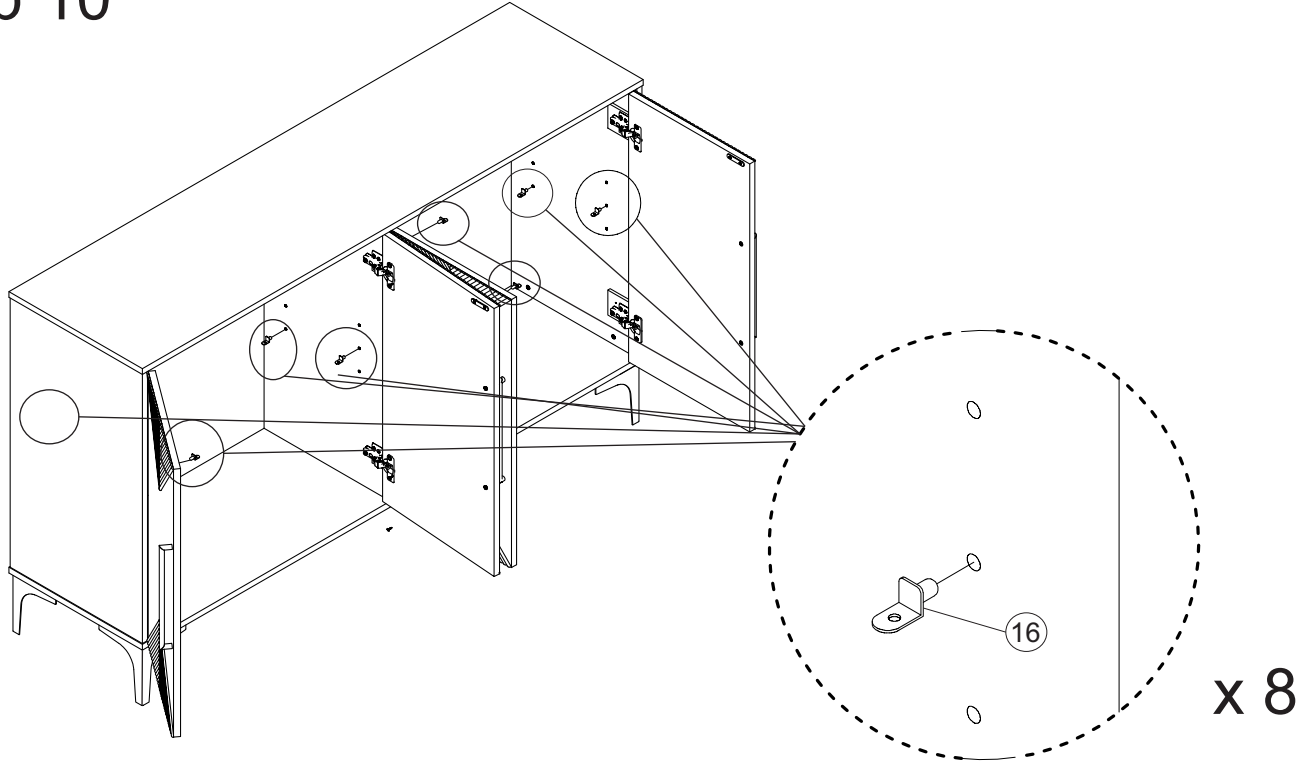
Adjust the in-and-out screws until the door is aligned with the side of the cabinet.

Note: Please assemble the door according to the installation steps first. If the cabinet door is deviated, the internal hinge needs to be slowly adjusted to solve the problem.

Assembly Instructions

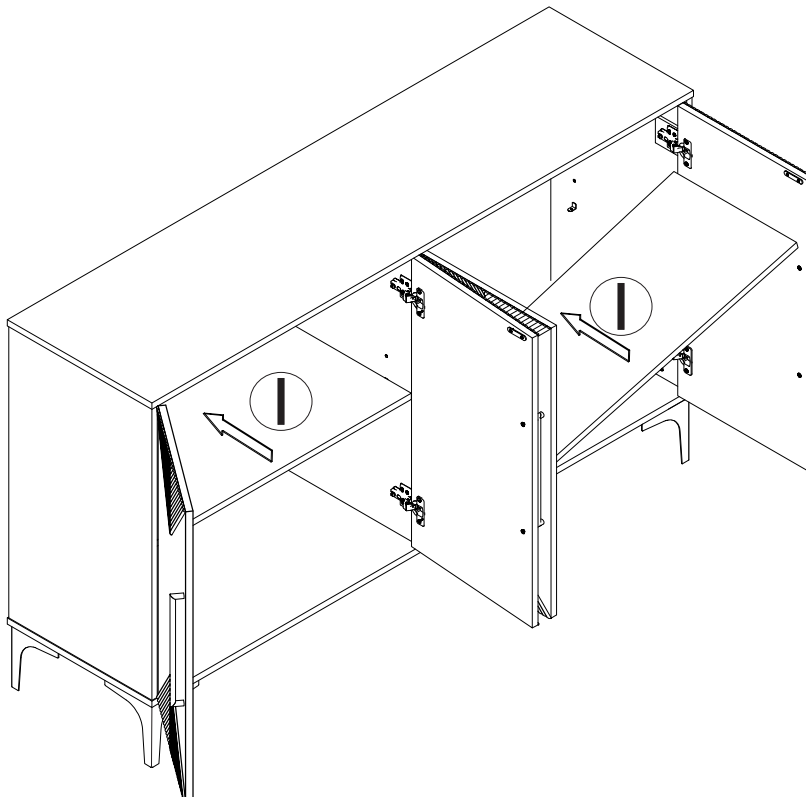
ITEM # N711P175837 SIDEBOARD 4 DOORS

Step 10



16 X 8

Step 11

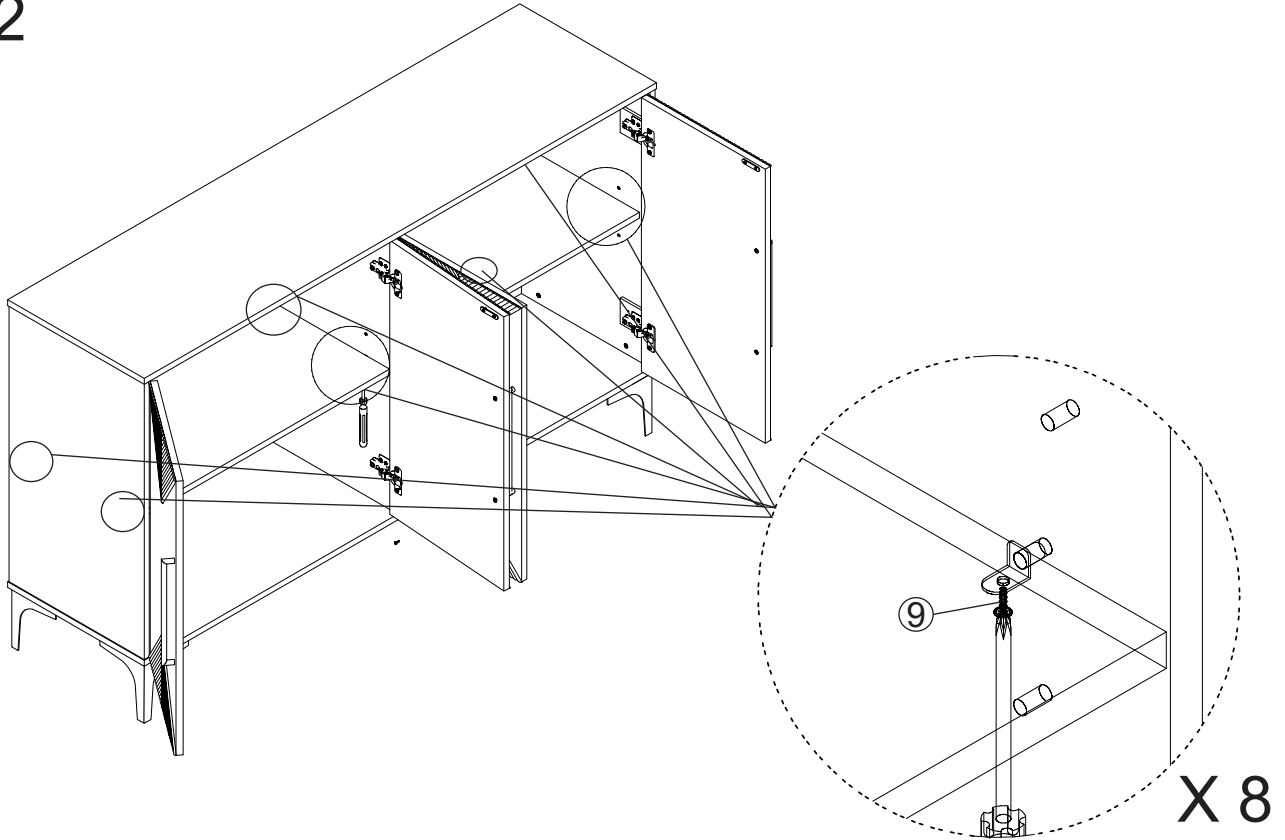


1 X 2

Assembly Instructions

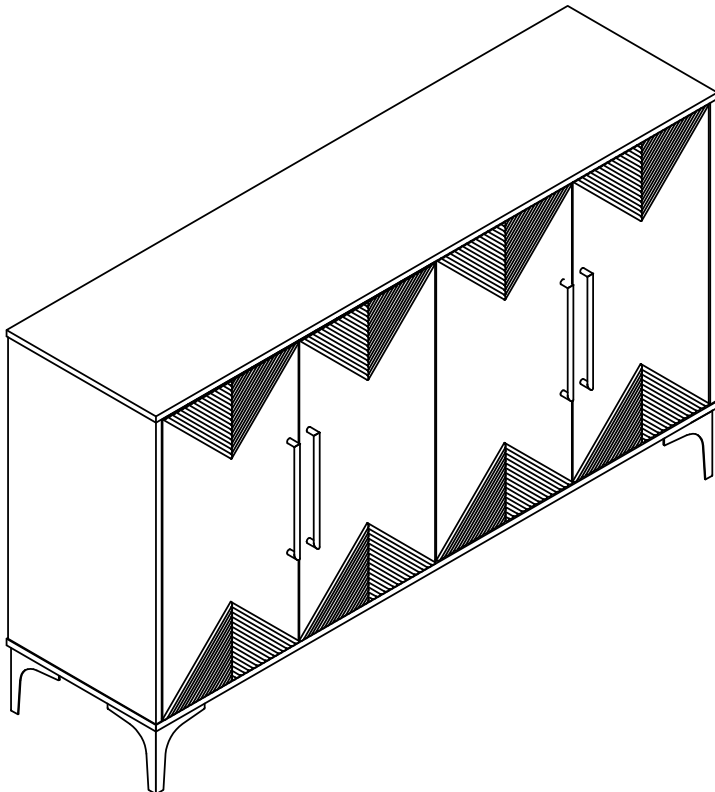
ITEM # N711P175837 SIDEBOARD 4 DOORS


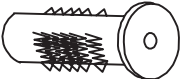
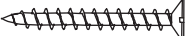
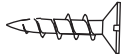
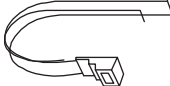
Step 12



9 X 8

ANTITIP KIT



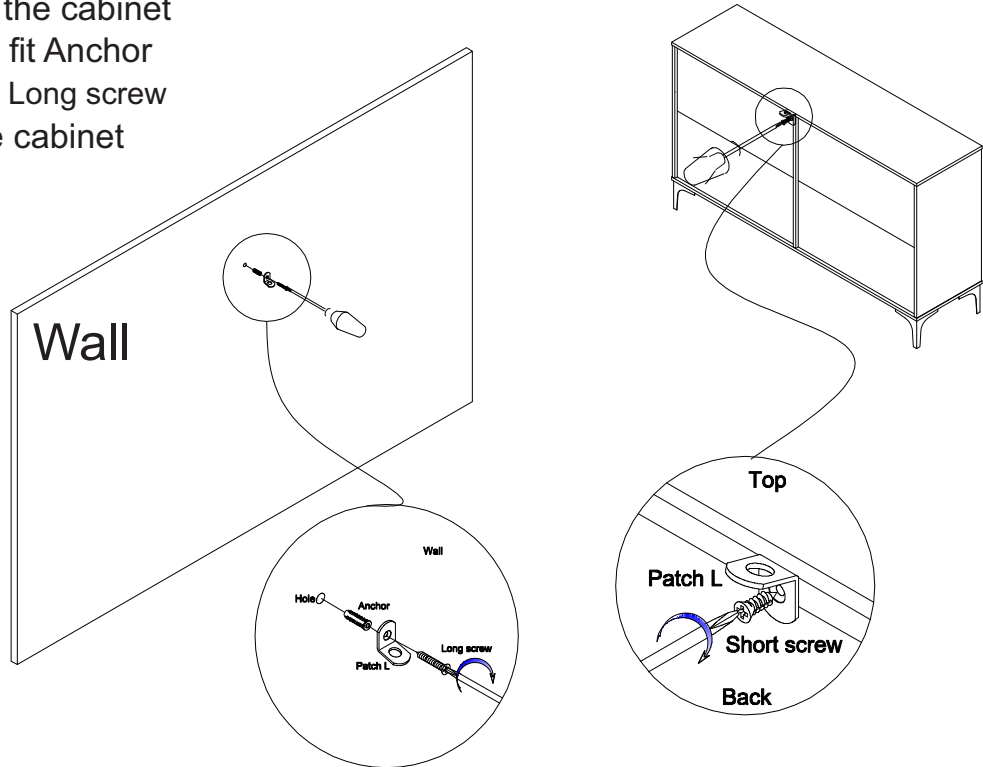
L Patch (Anti-Tip Kit)		2 PCS
Plastic Anchor (Anti-Tip Kit)		1 PC
LONG SCREW #4 x 40mm (Anti-Tip Kit)		1 PC
SHORT SCREW #3.5 x 15mm (Anti-Tip Kit)		1PC
Steel Strap (Anti-Tip Kit)		1PC

Assembly Instructions

ITEM # N711P175837 SIDEBOARD 4 DOORS

STEP 13

- Select the location to place the cabinet
- Drill a hole in the dry wall to fit Anchor
Then included the Patch L with Long screw
- Assembly the Patch L to the cabinet
and affix by short Screw



STEP 14

- Place the cabinet into position so both mounting
Patch are vertically in line
- Put the strap into hole of Patch L then tighten
the steel wire

