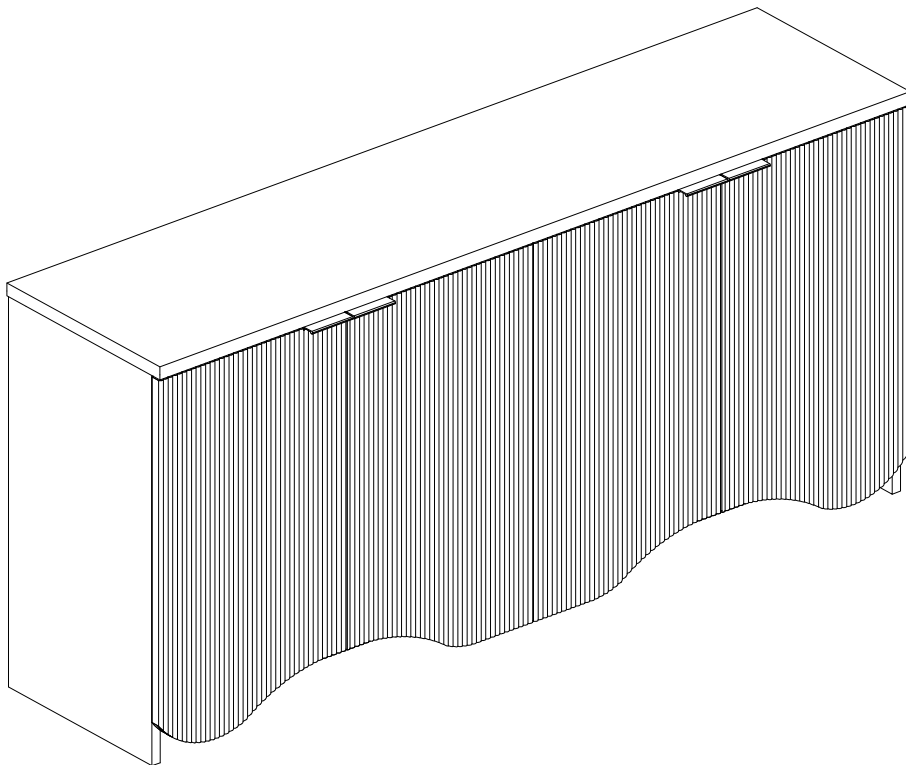
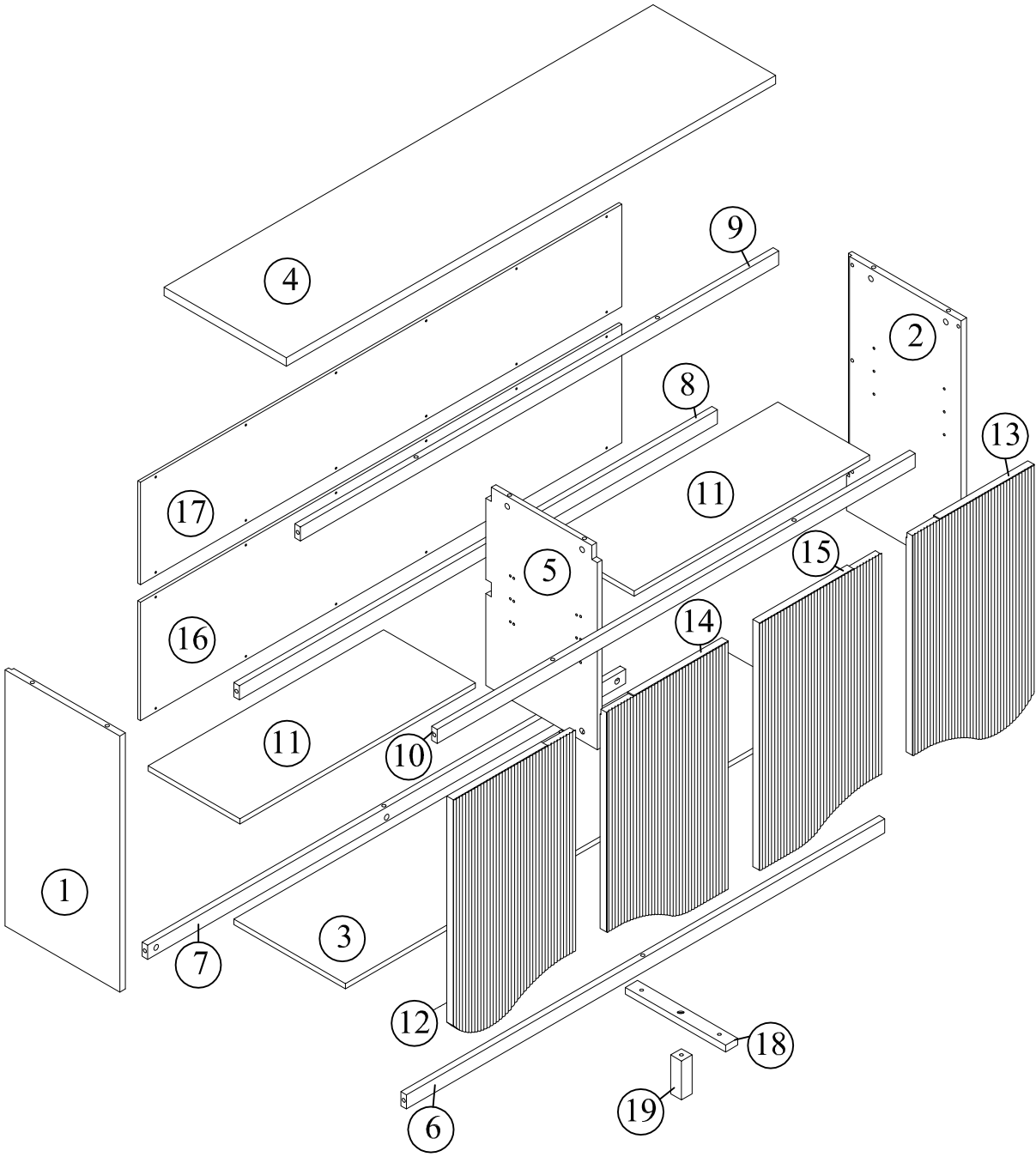


ASSEMBLY INSTRUCTION


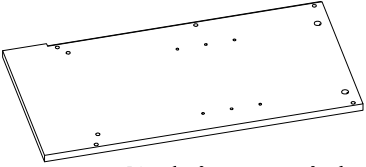
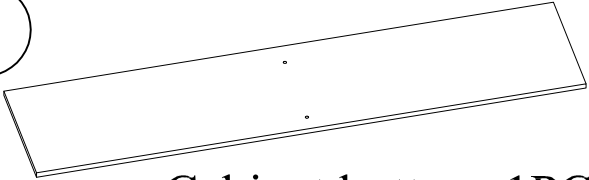
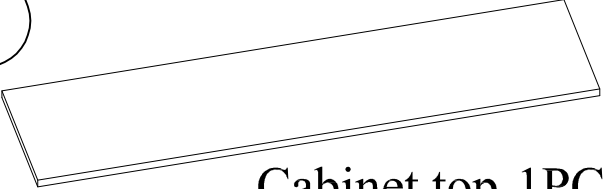
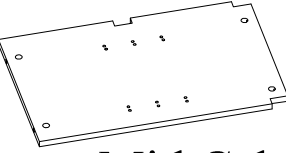
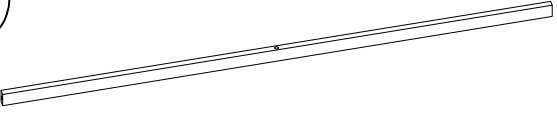
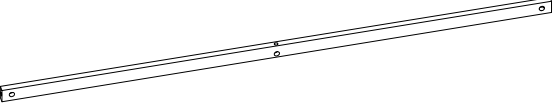
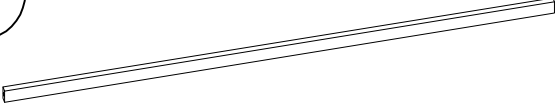
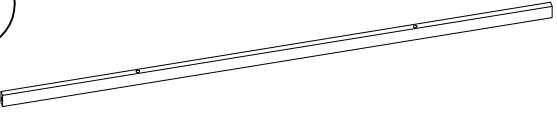
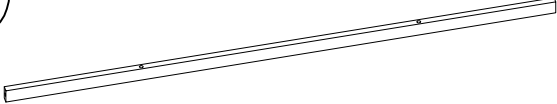
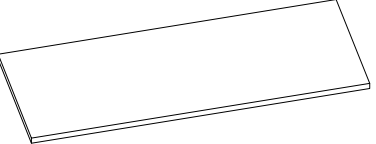
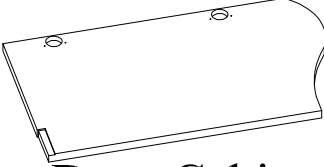
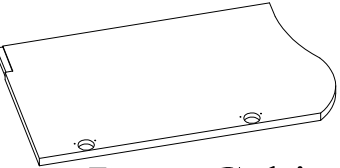
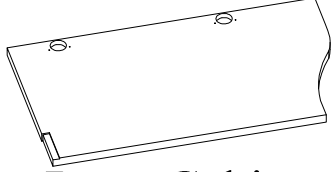
SKU CODE: N711P171060




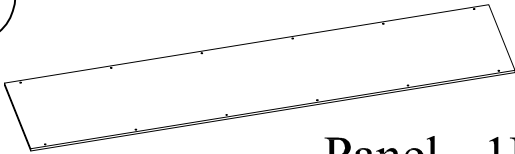
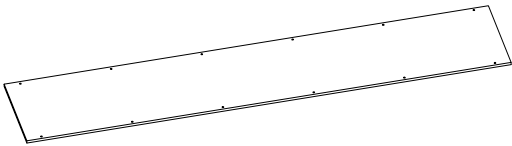
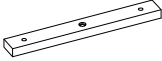
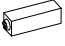
Detail view




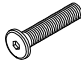










Part List (N711P171060)

<p>1</p>  <p>Cabinet side-1PC</p>	<p>2</p>  <p>Cabinet side-1PC</p>
<p>3</p>  <p>Cabinet bottom-1PC</p>	<p>4</p>  <p>Cabinet top-1PC</p>
<p>5</p>  <p>Mid Cabinet-1PC</p>	<p>6</p>  <p>Crossbar - 1PC</p>
<p>7</p>  <p>Crossbar - 1PC</p>	<p>8</p>  <p>Crossbar - 1PC</p>
<p>9</p>  <p>Crossbar - 1PC</p>	<p>10</p>  <p>Crossbar - 1PC</p>
<p>11</p>  <p>Cabinet shelf- 2PCS</p>	<p>12</p>  <p>Door Cabinet - 1PC</p>
<p>13</p>  <p>Door Cabinet - 1PC</p>	<p>14</p>  <p>Door Cabinet - 1PC</p>

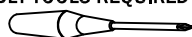
Part List (N711P171060)

<p>15</p>  <p>Door Cabinet - 1PC</p>	<p>16</p>  <p>Panel - 1PC</p>
<p>17</p>  <p>Panel - 1PC</p>	<p>18</p>  <p>Crossbar - 1PC</p>
<p>19</p>  <p>Leg Supports - 1PC</p>	

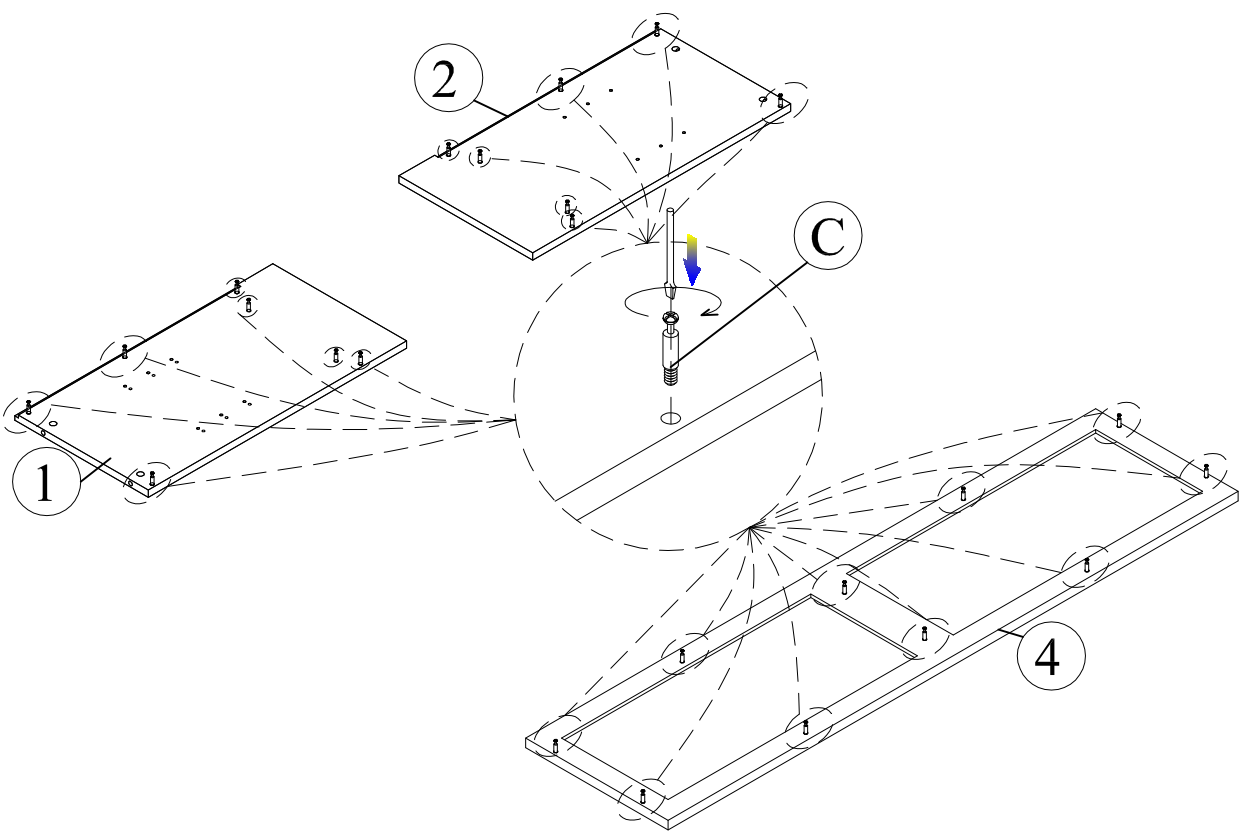
Hardware List - N711P171060

No.	OUTLOOK	DESC	QTY
(A)		Bolts 1/4"*25mm	02
(B)		Bolts 1/4"*40mm	01
(C)		Connecting Bolt	28
(D)		Connector Housing	28
(E)		Door Hinge	04
(F)		Door Hinge	04
(G)		Base L	08
(H)		Door Knob	04
(I)		Screws #6*12mm	56
(J)		Round head screw #8*25mm	24
(K)		Horizontal lock	01
(L)		Anti-flip cabinet set	01

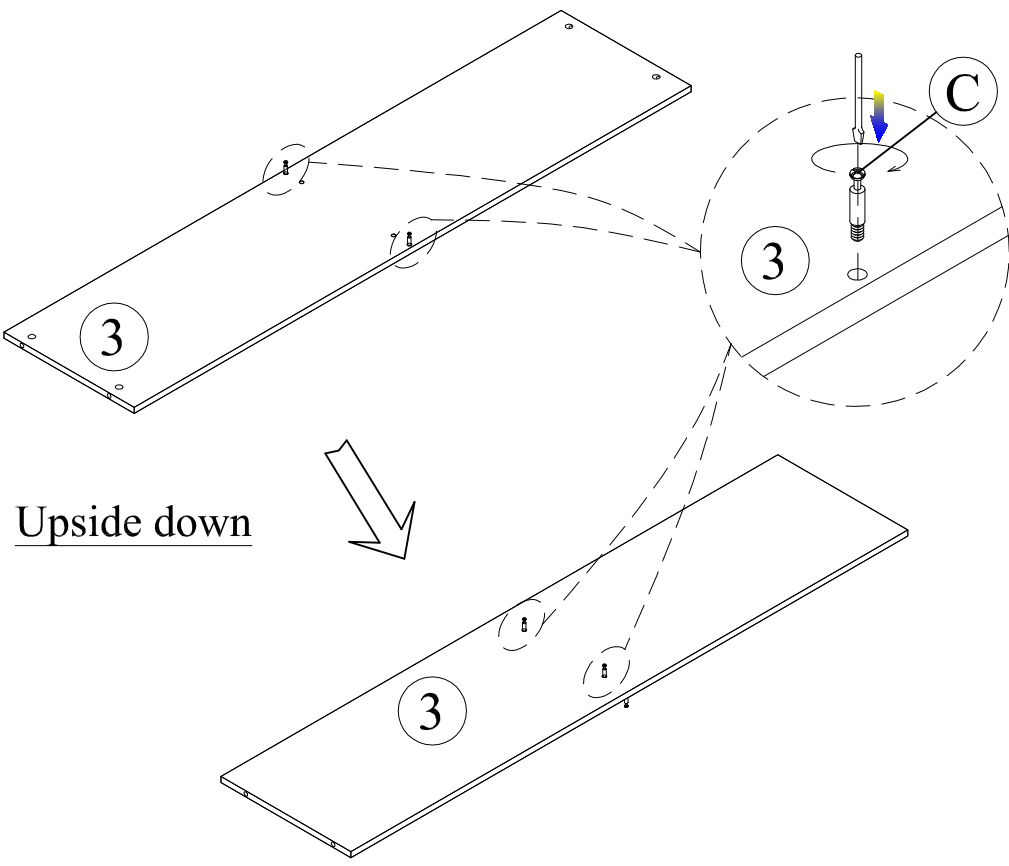
ASSEMBLY TOOLS REQUIRED (NOT INCLUDED)



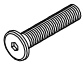

STEP 1:

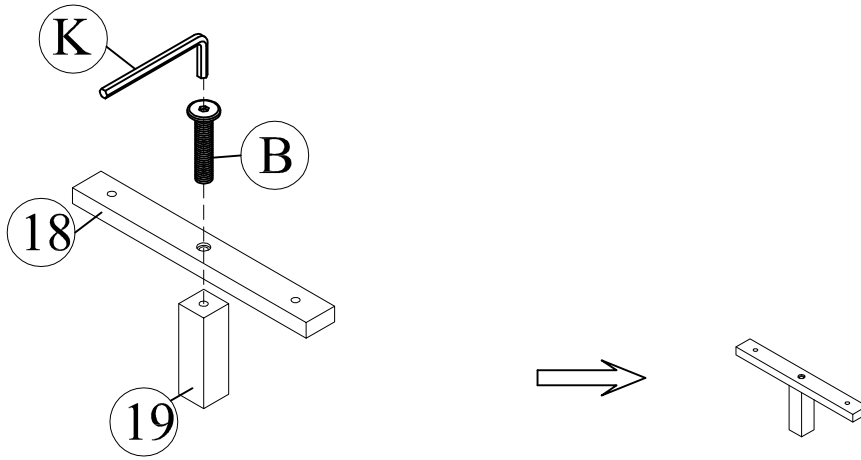


STEP 2:

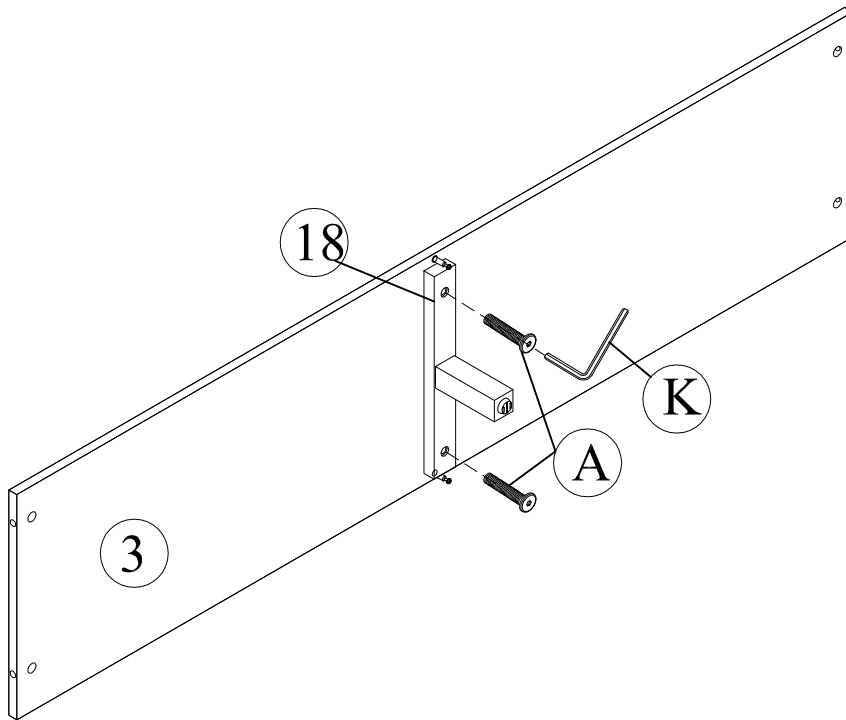




STEP 3:

(B)		01
(K)		01



STEP 4:



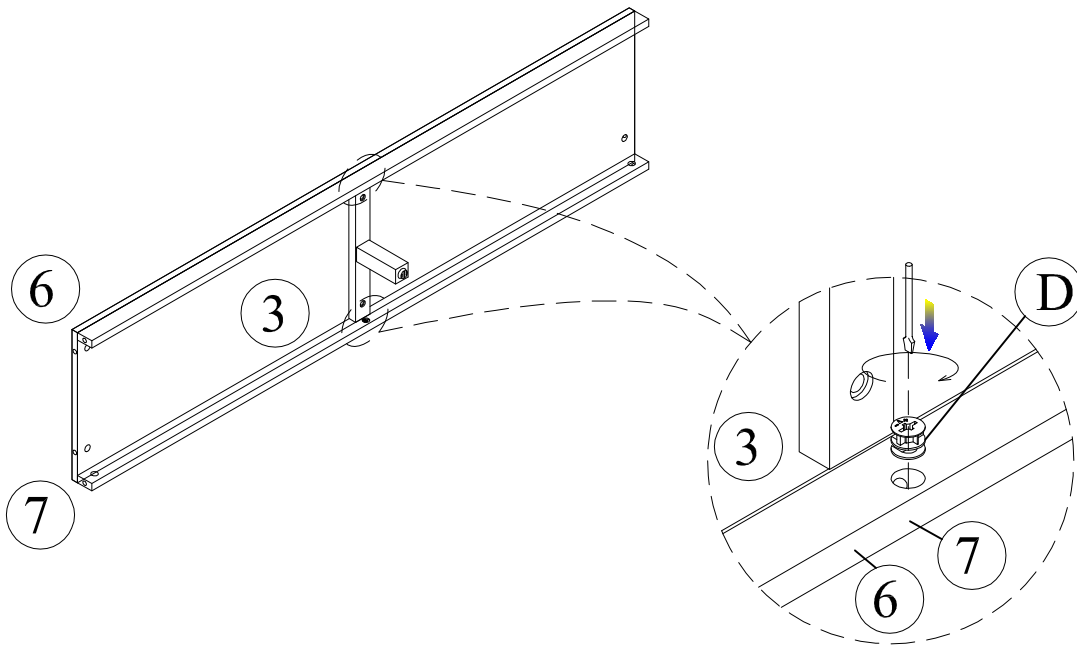
(A)		02
(K)		01

STEP 5:

(D)



02

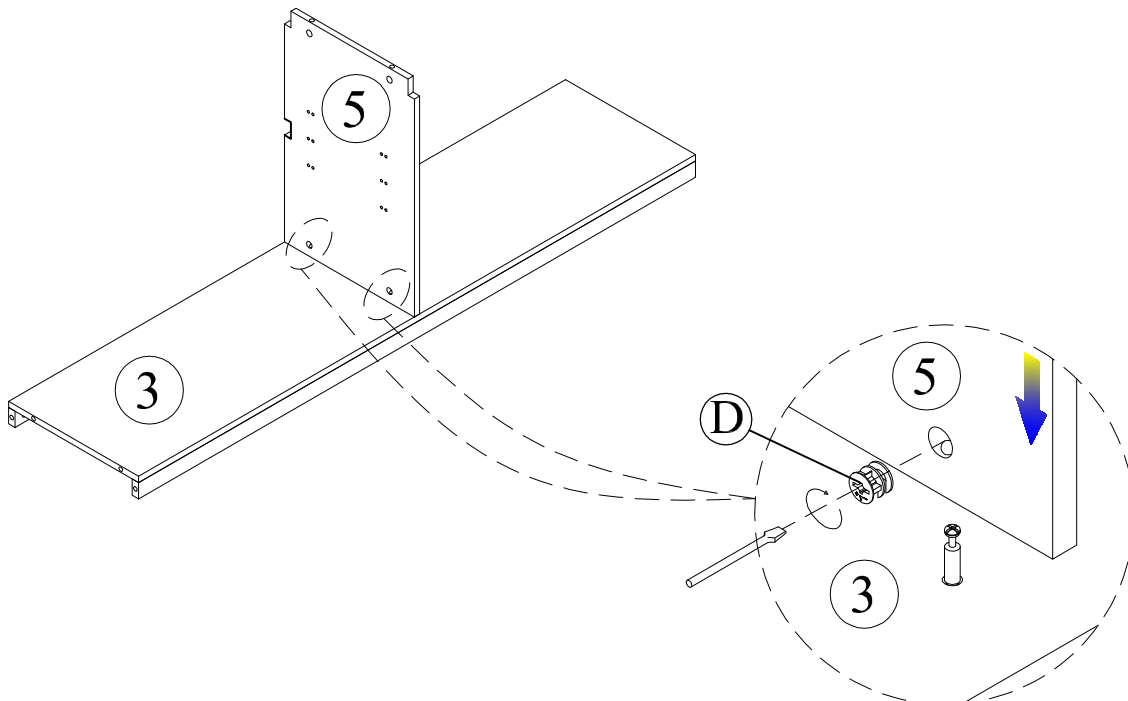


STEP 6:

(D)



02

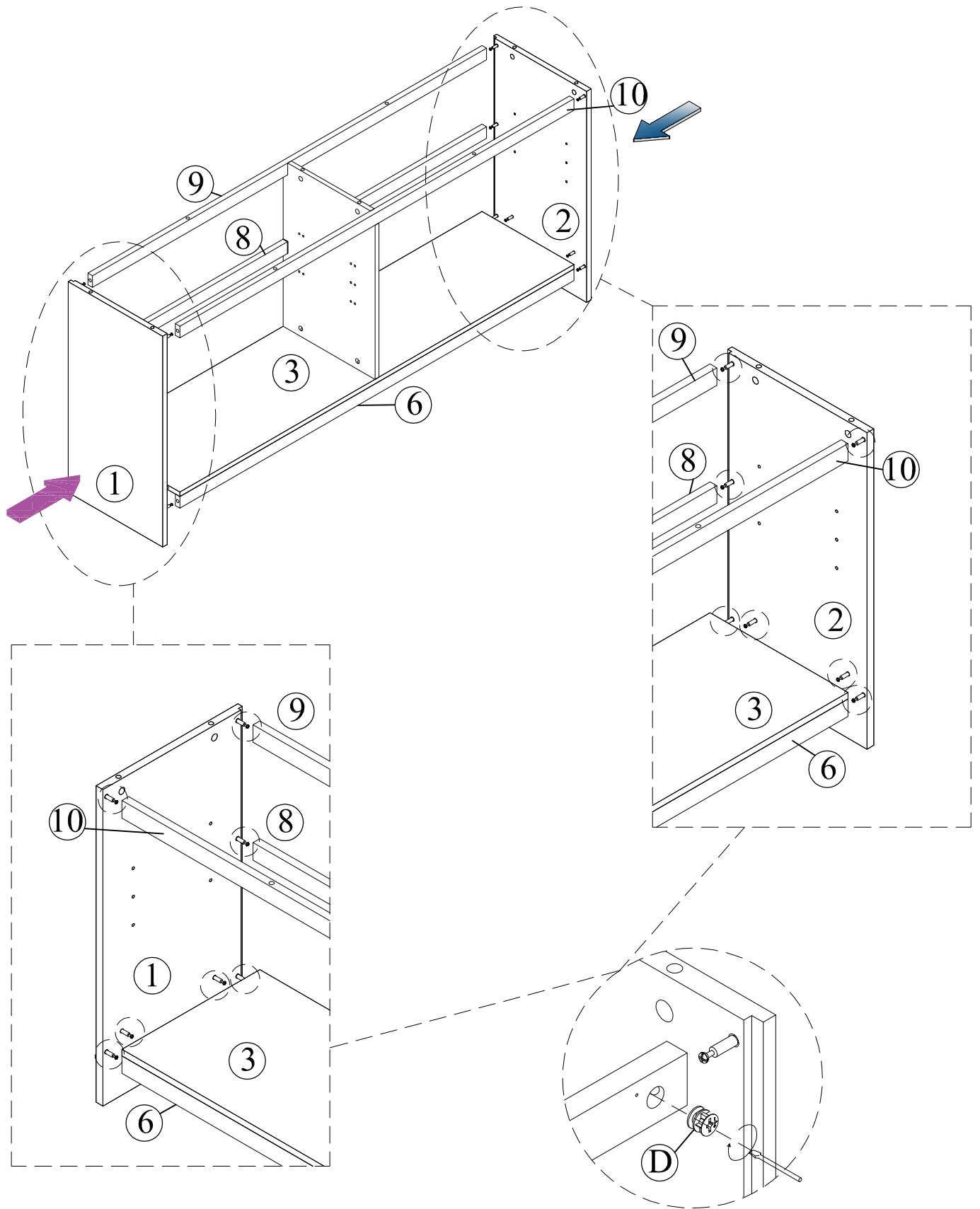


STEP 7:

D



14

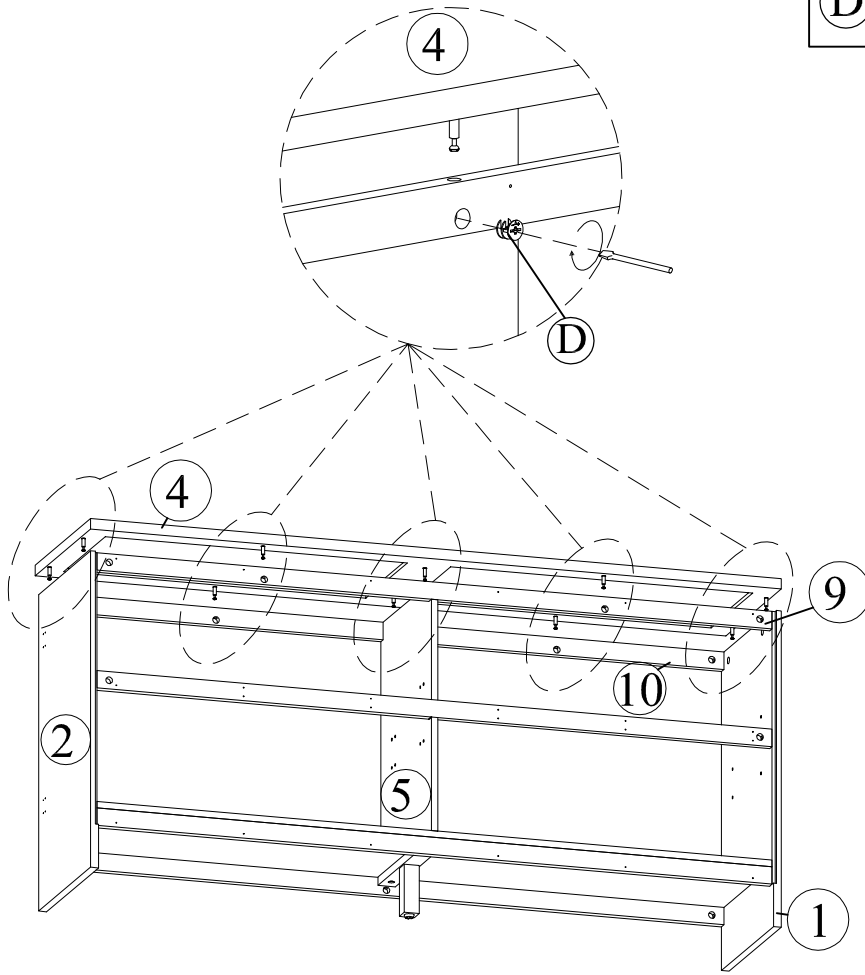


STEP 8:

D



10

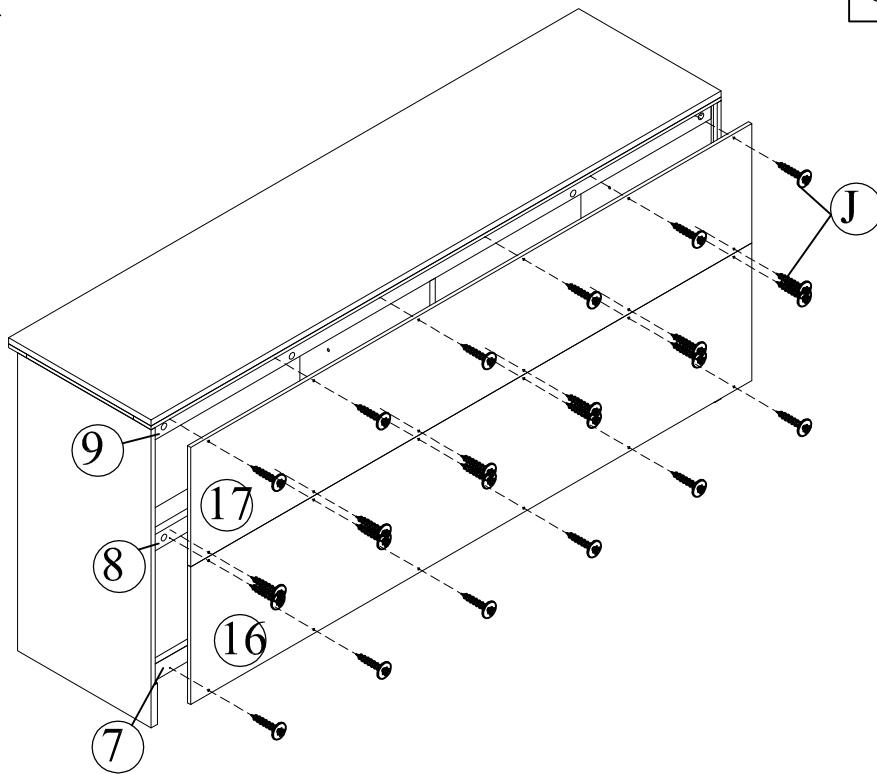


STEP 9:

J



24

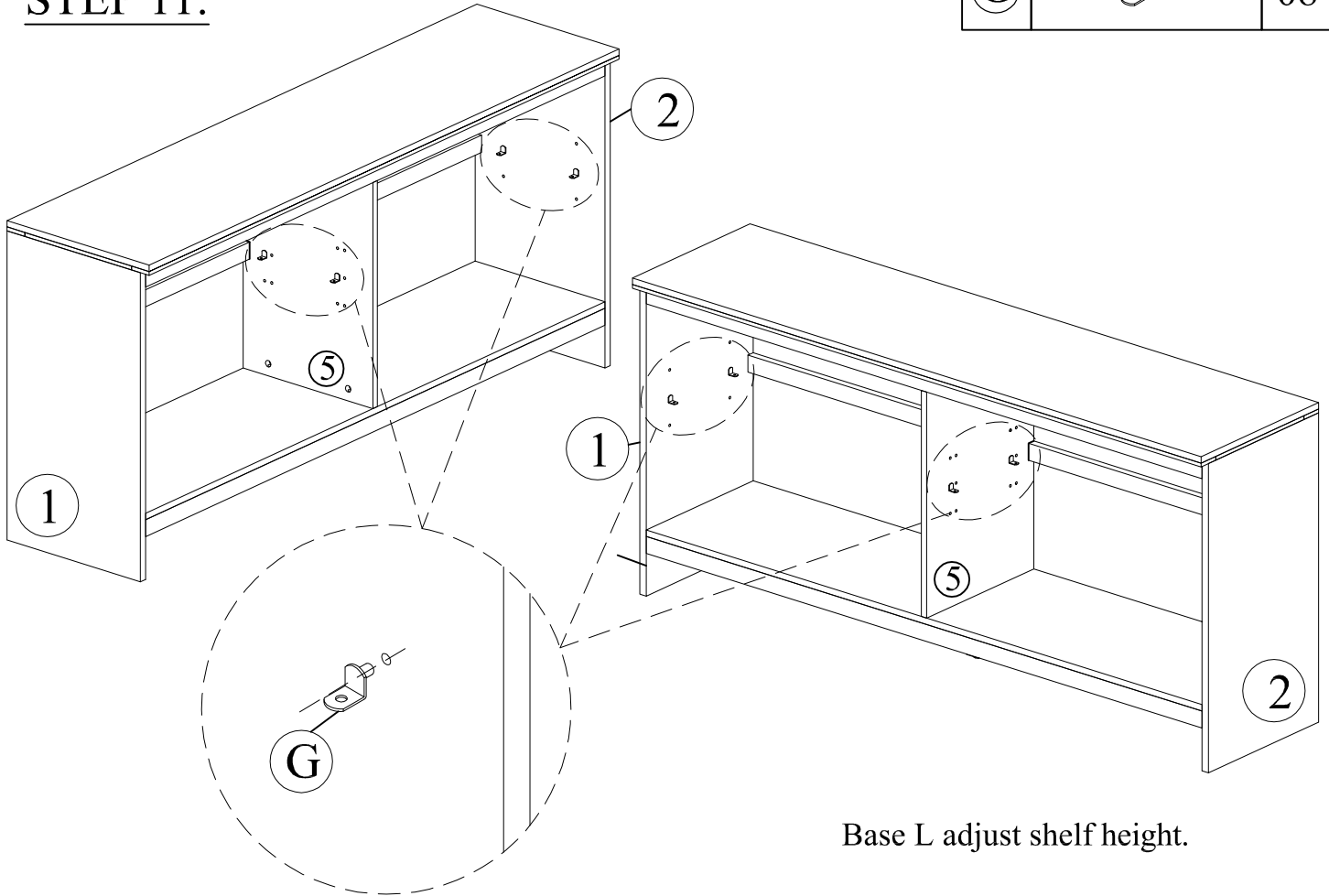


STEP 11:

G

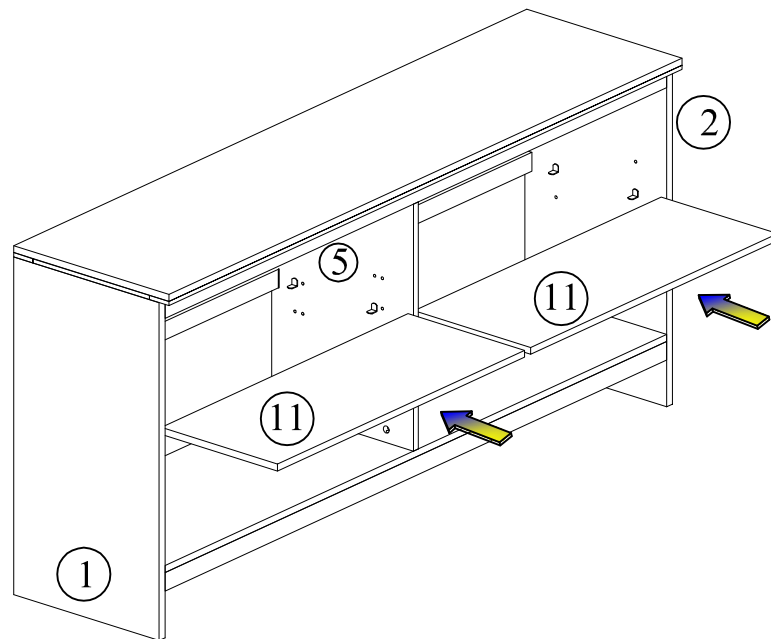


08





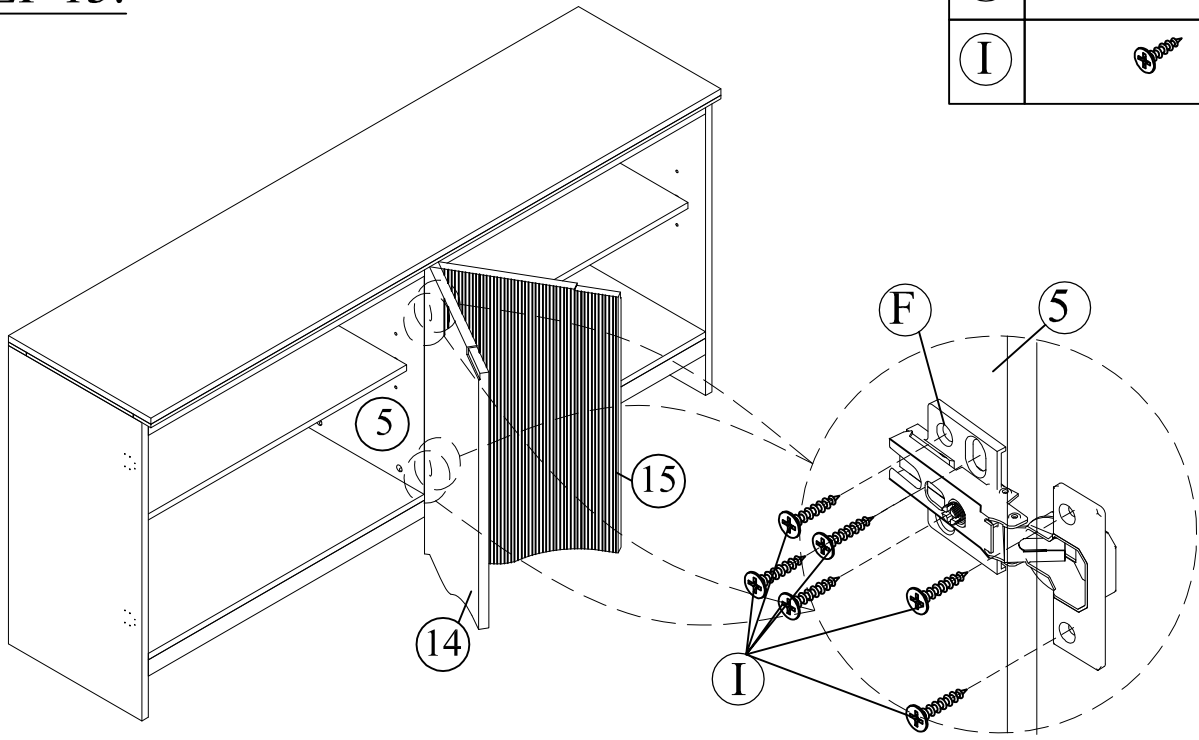
Base L adjust shelf height.

STEP 12:





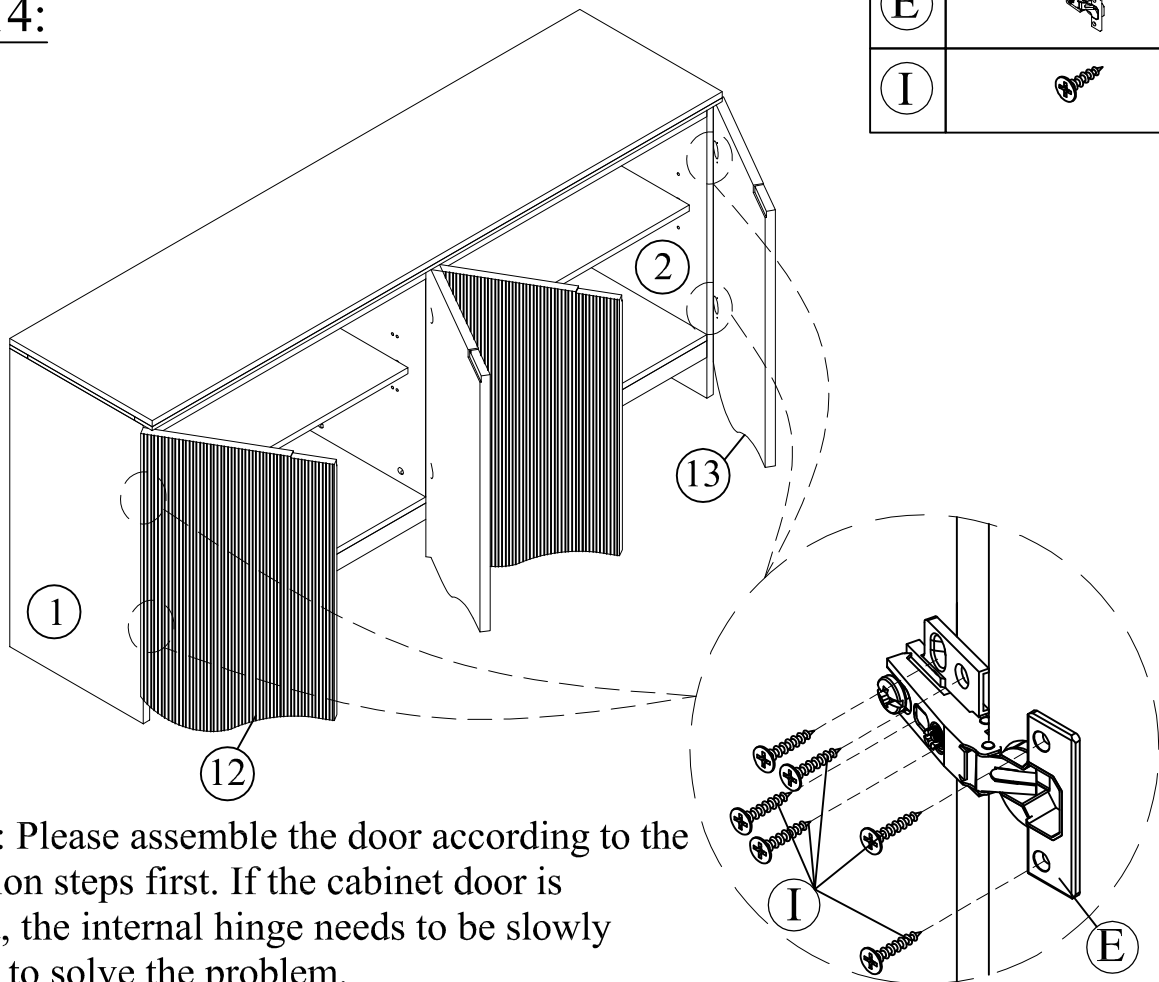
STEP 13:

(F)		04
(I)		24





STEP 14:

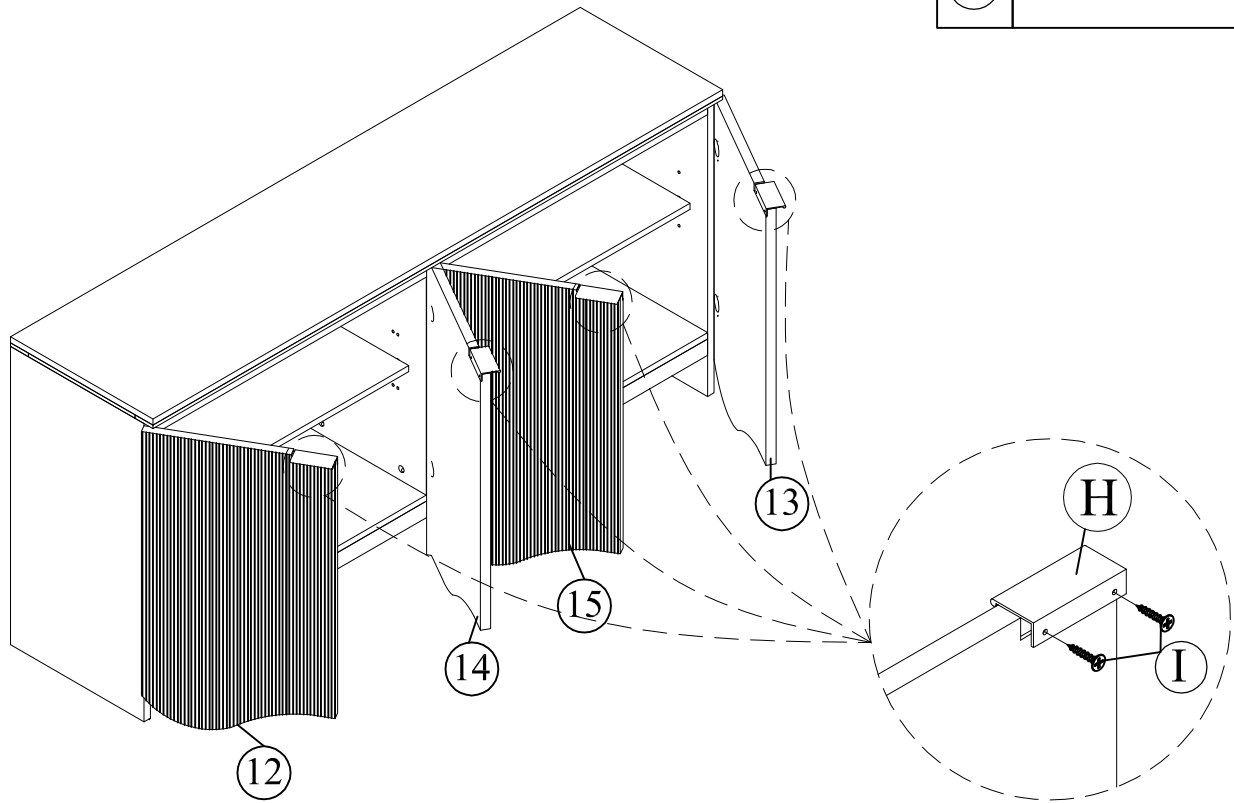
(E)		04
(I)		24




*Note: Please assemble the door according to the installation steps first. If the cabinet door is deviated, the internal hinge needs to be slowly adjusted to solve the problem.

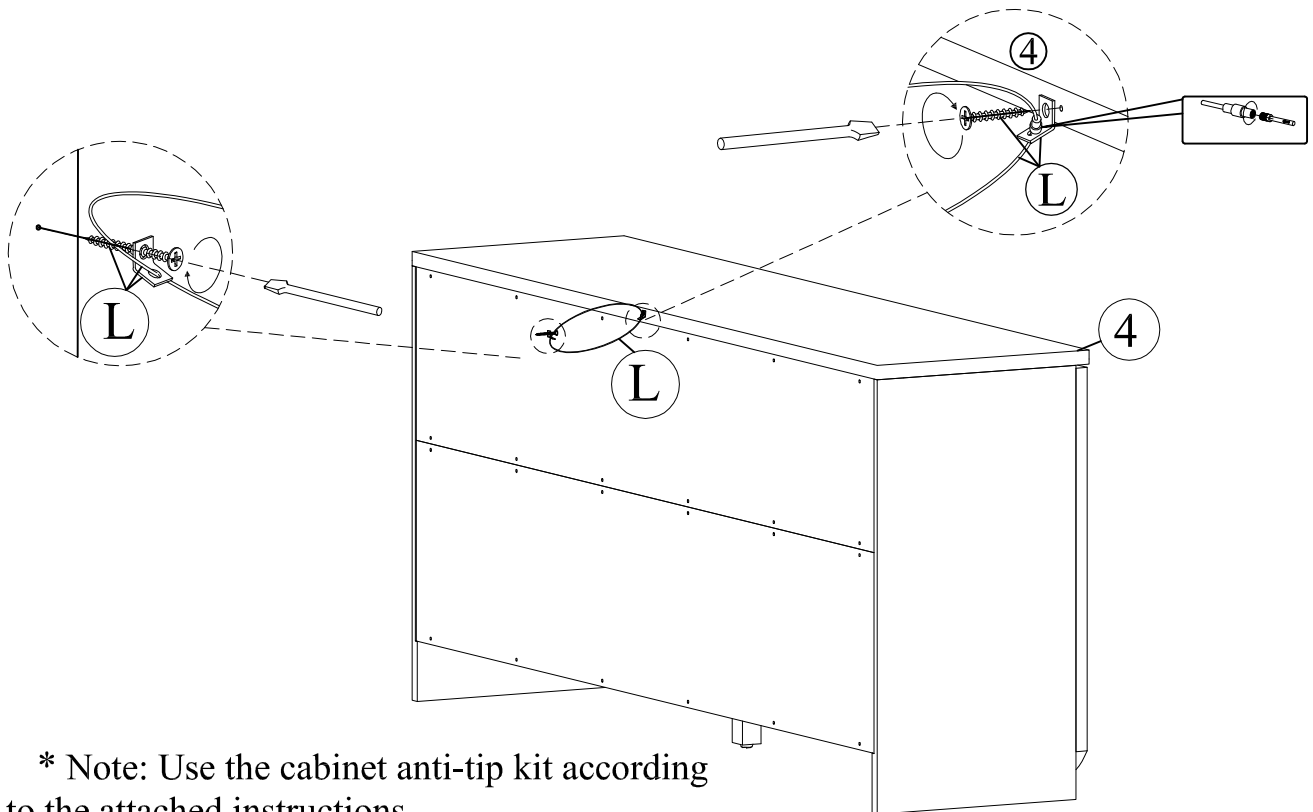
STEP 15:

(H)		04
(I)		08



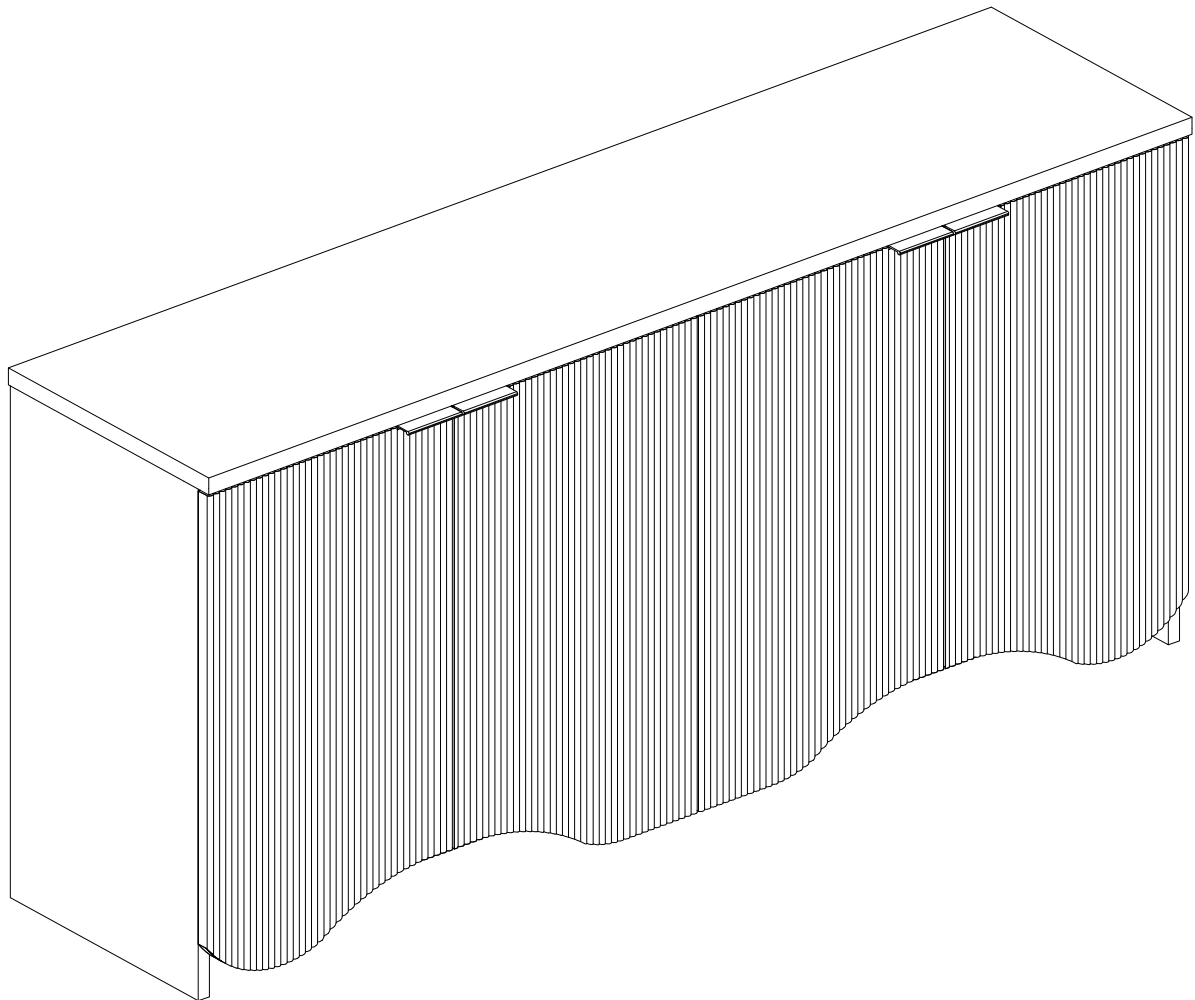
STEP 16:

(L)		01
-----	---	----



* Note: Use the cabinet anti-tip kit according to the attached instructions.

FINAL:



1. Note: This is not a clothing storage cabinet and it is not recommended to use it as a clothing storage cabinet.
2. All cabinets come with TRD, stainless steel or our "L-Bracket" when shipped.