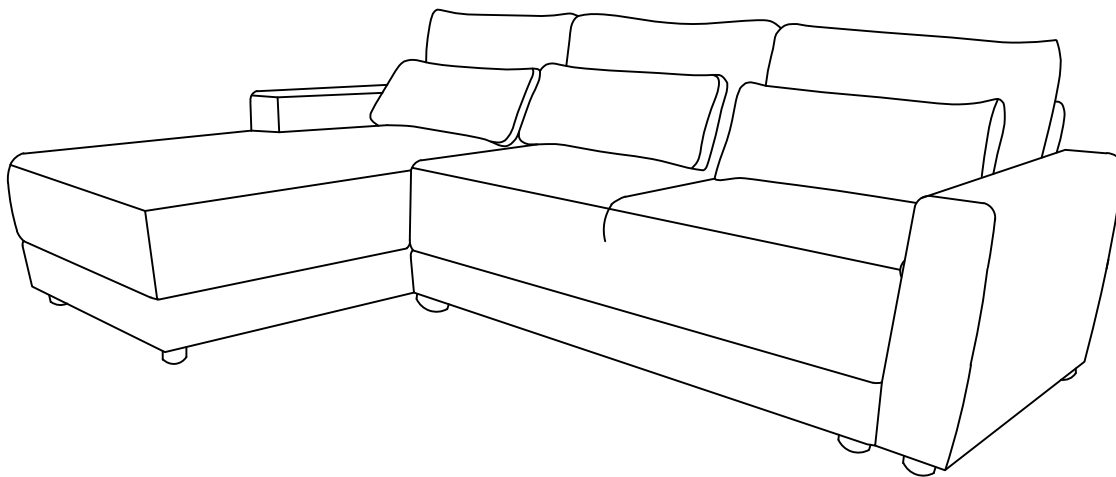


# ASSEMBLY INSTRUCTIONS

## IMPORTANT NOTE

- \*\* Place all parts on a lean and smooth surface such as a rug or carpet to avoid the parts from being scratched.
- \*\* Before you begin, please review the assembly instruction step by step.
- \*\* Return & Warranty policy:
  - We strive to offer the highest quality products. We also provide positive solutions with replacements or refund if needed.
  - If the item is damaged or defective, please take photos to show the problem and email to the seller.
  - Please do not return back the products before contact the seller.

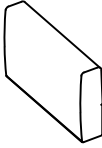
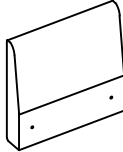
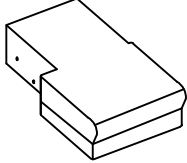
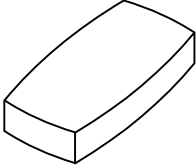
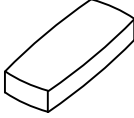


**N711P171034/N711P171035**

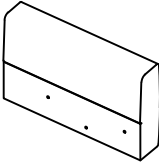
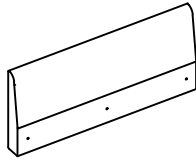
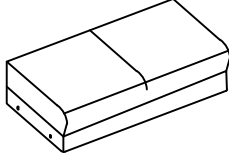
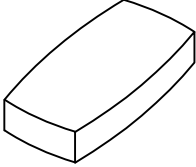
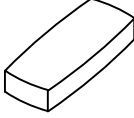
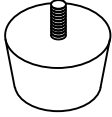


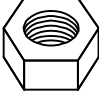

# ASSEMBLY INSTRUCTIONS

ITEM#N711P171034/N711P171035

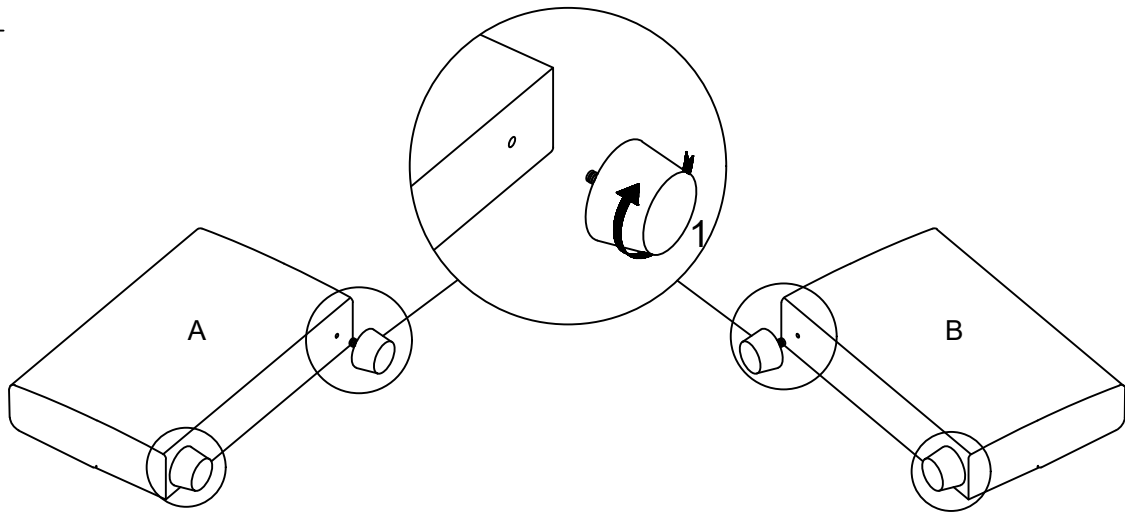
## PART LISTS BOX1: N711P171034

<p><b>A</b></p>  <p><b>RIGHT HANDED (1 PC)</b></p>	<p><b>C</b></p>  <p><b>CHAISE BACKREST (1 PC)</b></p>	<p><b>E</b></p>  <p><b>CHAISE (1 PC)</b></p>
<p><b>G</b></p>  <p><b>BIG BACK CUSHION (1 PC)</b></p>	<p><b>H</b></p>  <p><b>SMALL BACK CUSHION (1 PC)</b></p>	

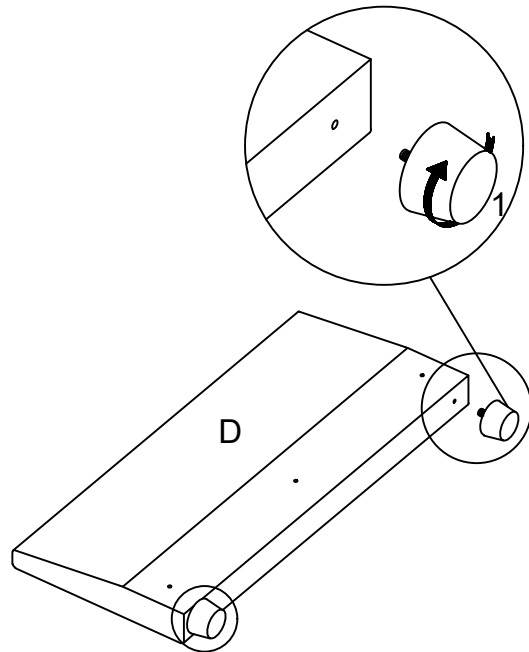
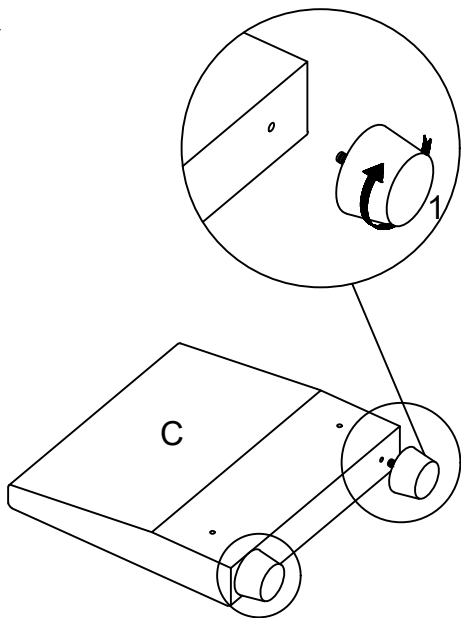
## PART LISTS BOX 2: N711P171035

<p><b>B</b></p>  <p><b>LEFT HANDED (1 PC)</b></p>	<p><b>D</b></p>  <p><b>LEFT LOVESEAT BACKREST (1 PC)</b></p>	<p><b>F</b></p>  <p><b>LOVESEAT (1 PC)</b></p>
<p><b>G</b></p>  <p><b>BIG BACK CUSHION (2 PCS)</b></p>	<p><b>H</b></p>  <p><b>SMALL BACK CUSHION (2 PCS)</b></p>	<p><b>1</b></p>  <p><b>LEGS (12 PCS)</b></p>
<p><b>2</b></p>  <p><b>FULL-THREAD BOLT (11 PCS)</b> (Ø 5/16" X90mm-RBW)</p>	<p><b>3</b></p>  <p><b>FLAT WASHER (11 PCS)</b> (Ø 5/16" -RBW)</p>	<p><b>4</b></p>  <p><b>HEX NUT (11 PCS)</b> (16mmx13mmx13-RBW)</p>
<p><b>5</b></p>  <p><b>OPEN WRENCH (1 PC)</b> (14MM-RBW)</p>		

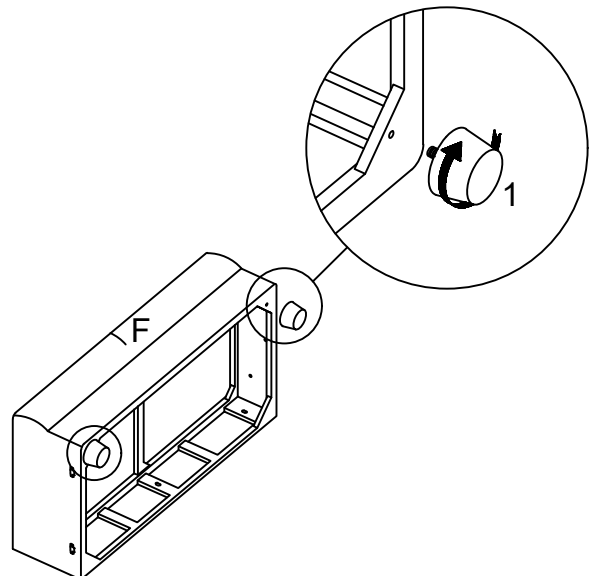
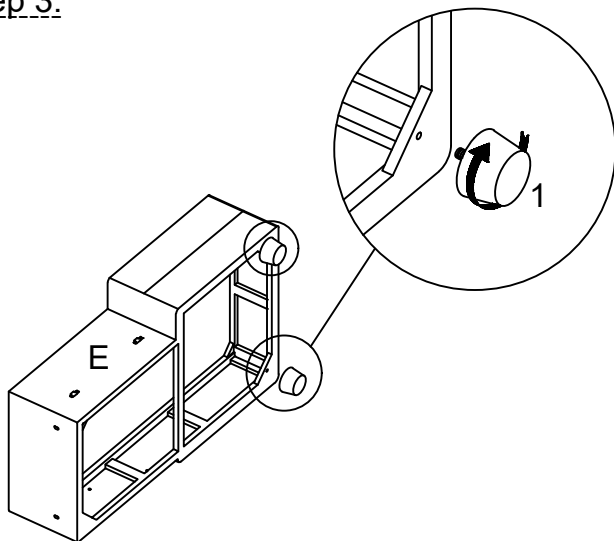
Step 1



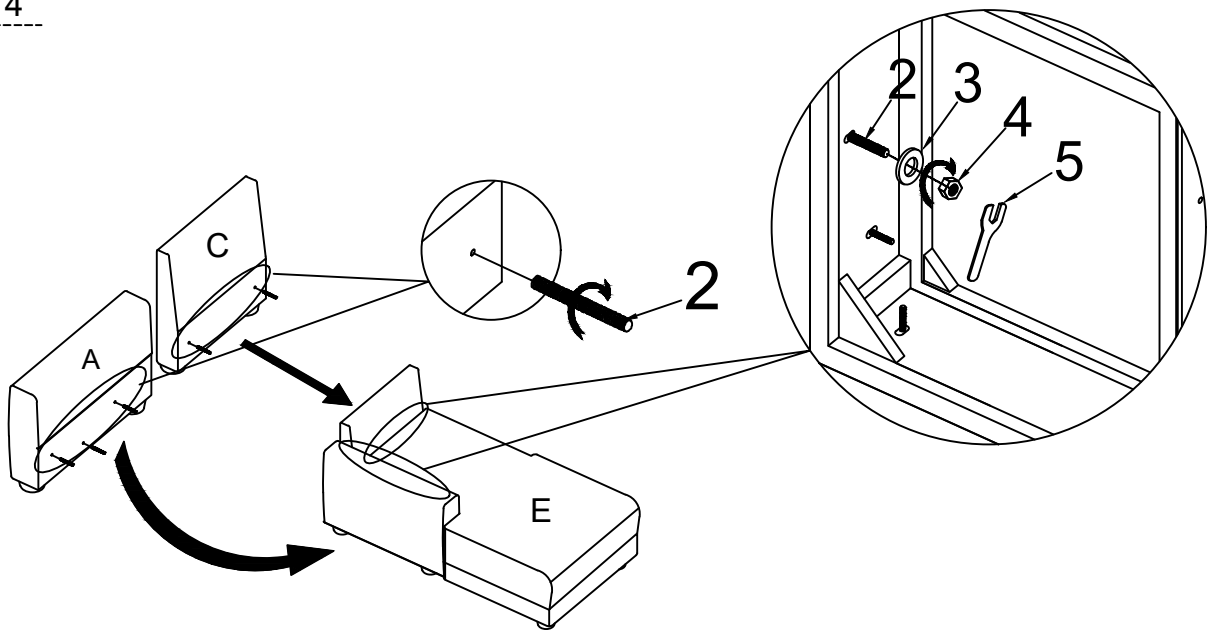
Step 2:



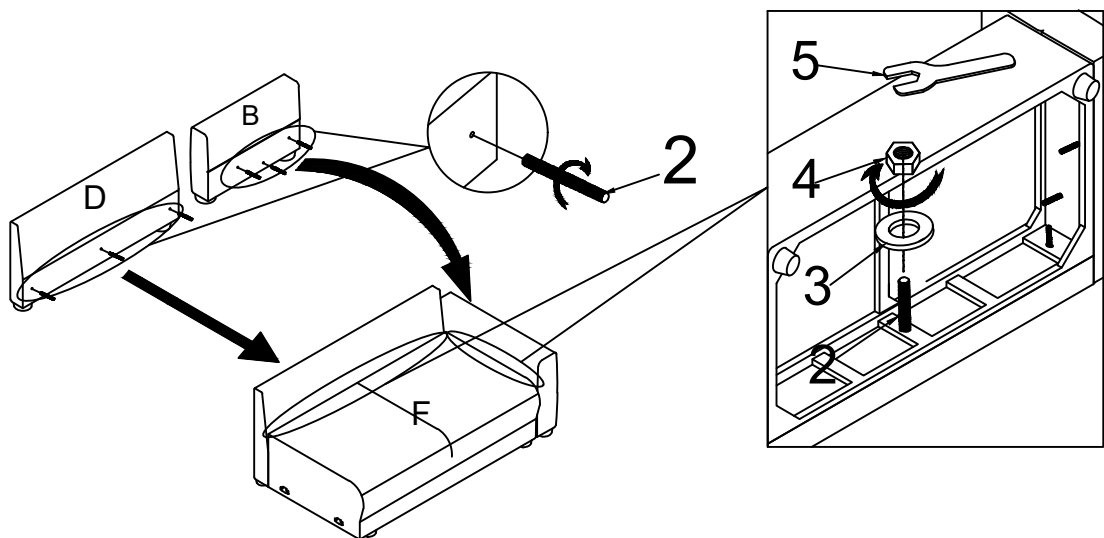
Step 3:



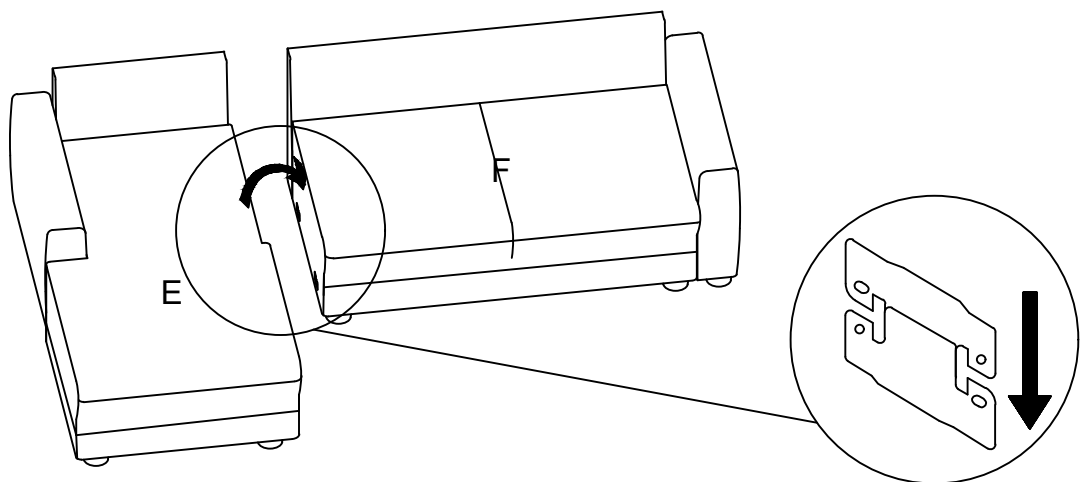
Step 4



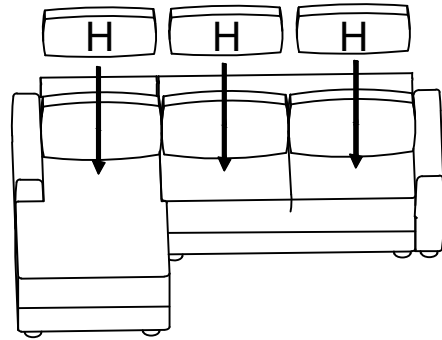
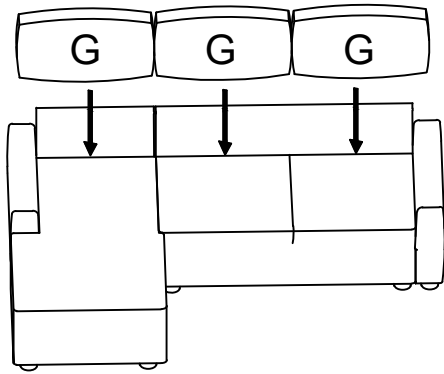
Step 5



Step 6



Step 7:



Step 8: Assembly Complete

