

# ASSEMBLY INSTRUCTIONS

ITEM# WF323626/ WF323627/ WF323628/ WF323629/ WF323630

## IMPORTANT NOTE

\*\* Place all parts on a lean and smooth surface such as a rug or carpet to avoid the parts from being scratched.

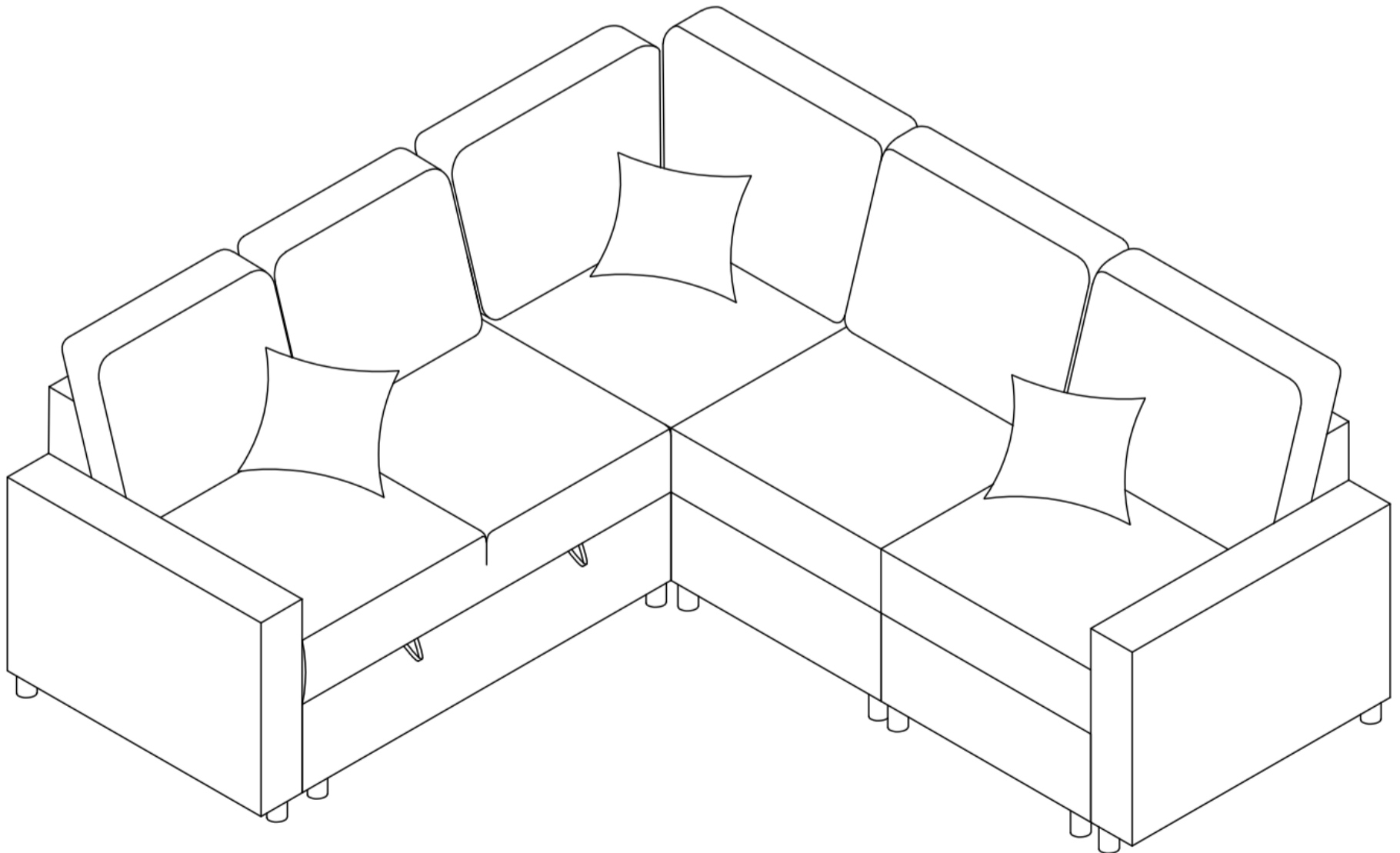
\*\* Before you begin, please review the assembly instruction step by step.

\*\* Return & Warranty policy:

-We strive to offer the highest quality products. We also provide positive solutions with replacements or refund if needed.

-If the item is damaged or defective, please take photos to show the problem and email to the seller.

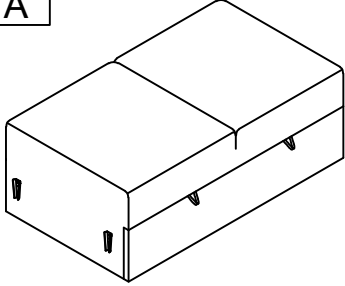
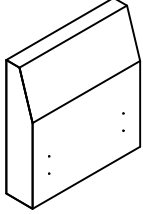

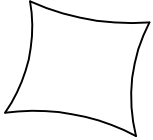
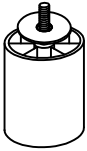




-Please do not return back the products before contact the seller.



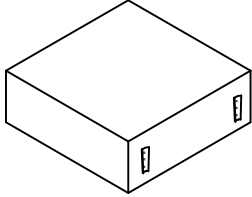
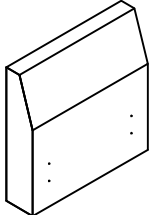

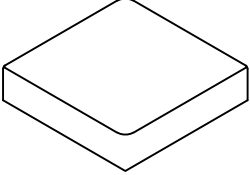
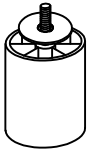



# ASSEMBLY INSTRUCTIONS

ITEM# WF323626/ WF323627/ WF323628/ WF323629/ WF323630

## PART LISTS BOX1: WF323626

<p><b>A</b></p>  <p>LOVESEAT (1 PC)</p>	<p><b>G</b></p>  <p>LOVE SEAT BACK (2PCS)</p>	<p><b>K</b></p>  <p>LOVE SEAT CUSHION BACK (2PCS)</p>	<p><b>N</b></p>  <p>PILLOW ( 2 PCS )</p>
<p><b>O</b></p>  <p>LEG ( 6 PCS )</p>	<p><b>P</b></p>  <p>WHEEL ( 4 PCS )</p>	<p><b>Q</b></p>  <p>PAS ( 4 PCS )</p>	<p><b>R</b></p>  <p>BOLT 1/4" x 15 mm (16 PSC)</p>
<p><b>S</b></p> <p>LEG (6 PCS )</p>  <p>SCREW M4*30 ( 16PCS )</p>			

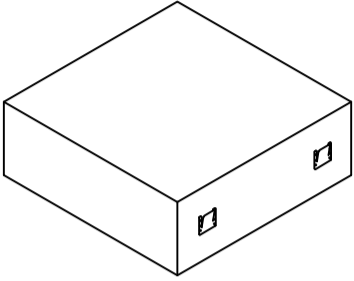
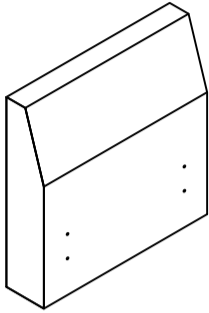

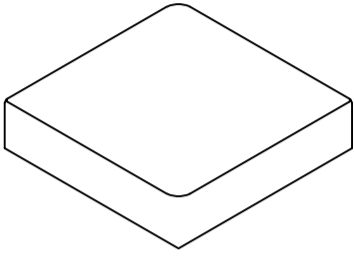
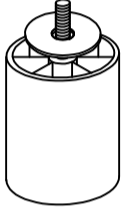


## PART LISTS BOX 2: WF323627

<p><b>B</b></p>  <p>CHAIR WITH ARM (1 PC)</p>	<p><b>H</b></p>  <p>CHAIR BACK (1PC)</p>	<p><b>L</b></p>  <p>CHAIR SEAT CUSHION BACK (1PC)</p>	<p><b>U</b></p>  <p>SEAT CUSHION (1PC)</p>
<p><b>O</b></p>  <p>LEG ( 6 PCS )</p>	<p><b>Q</b></p>  <p>PAS ( 2 PCS )</p>	<p><b>R</b></p>  <p>BOLT 1/4" x 15 mm (8 PSC)</p>	<p><b>T</b></p>  <p>ALLEN Ø4X100X30 MM (1PC)</p>

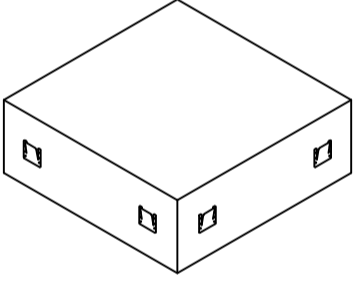
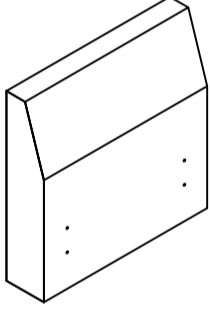

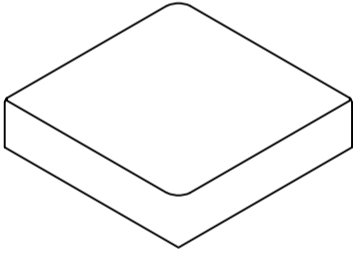
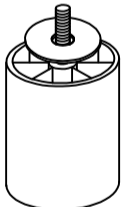


# ASSEMBLY INSTRUCTIONS

ITEM# WF323626/ WF323627/ WF323628/ WF323629/ WF323630

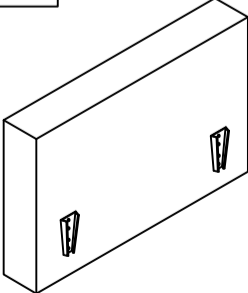
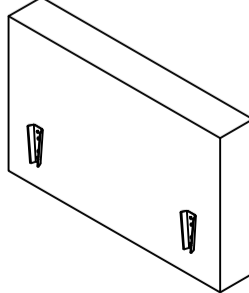
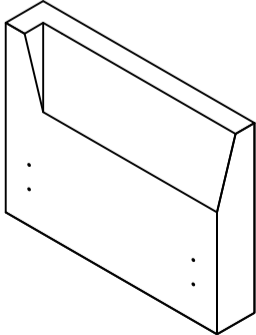
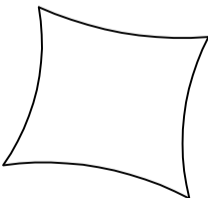
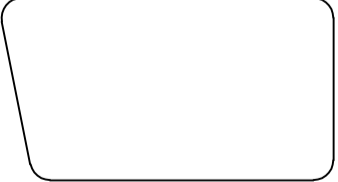
## PART LISTS BOX 3:WF323628

<p><b>C</b></p>  <p>CHAIR (1 PC)</p>	<p><b>H</b></p>  <p>CHAIR BACK (1PC)</p>	<p><b>L</b></p>  <p>CHAIR CUSHION BACK (1PC)</p>	<p><b>U</b></p>  <p>SEAT CUSHION (1PC)</p>
<p><b>O</b></p>  <p>LEG (4 PCS)</p>	<p><b>Q</b></p>  <p>PAS ( 2PCS )</p>	<p><b>R</b></p>  <p>BOLT 1/4" x 15 mm (8 PSC)</p>	

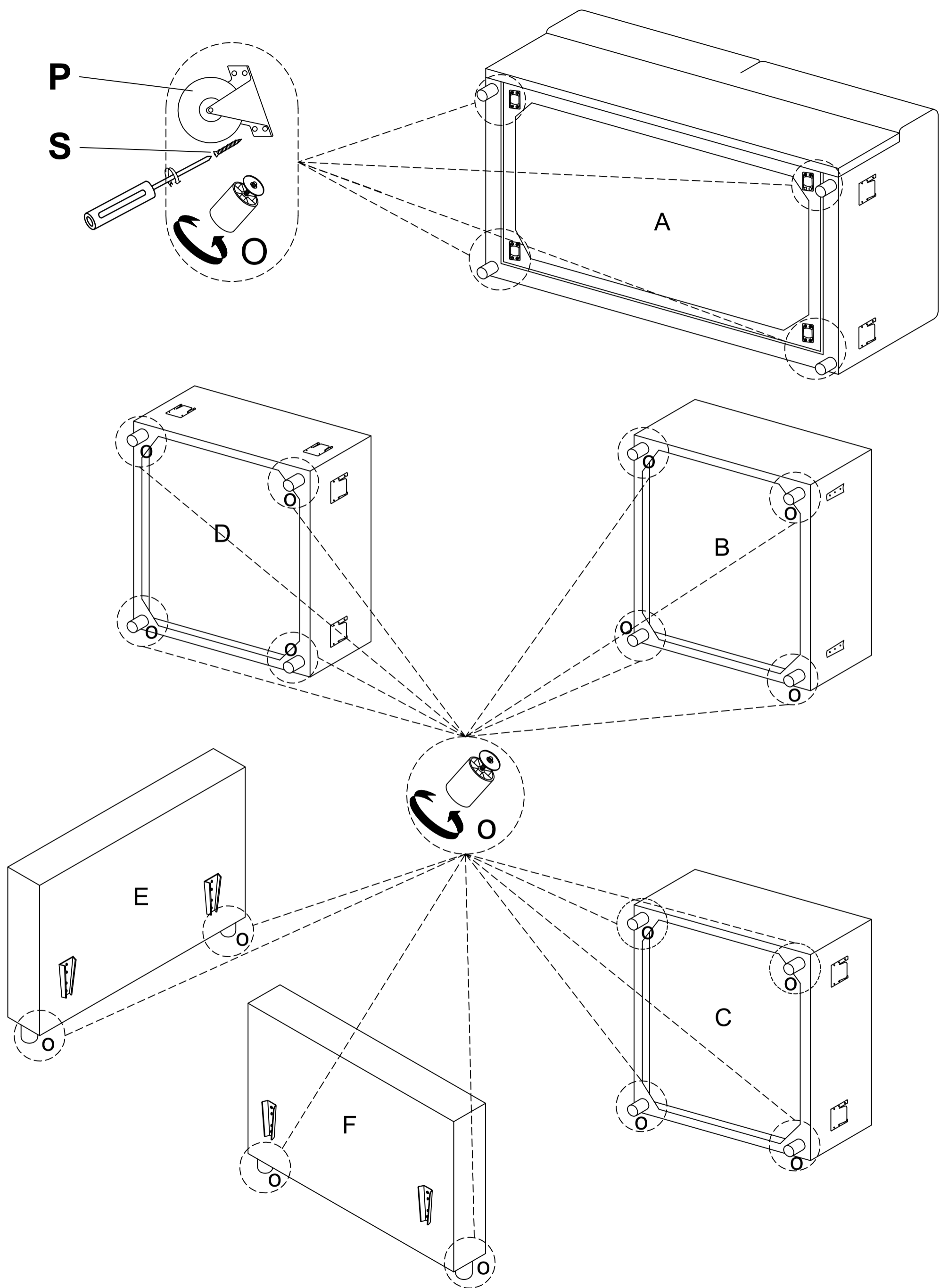
## PART LISTS BOX 4: WF323629

<p><b>D</b></p>  <p>CORNER CHAIR (1 PC)</p>	<p><b>I</b></p>  <p>CORNER CHAIR BACK (1PC)</p>	<p><b>M</b></p>  <p>CORNER CHAIR CUSHION BACK (1PC)</p>	<p><b>V</b></p>  <p>SEAT CUSHION (1PC)</p>
<p><b>O</b></p>  <p>LEG ( 4 PCS )</p>	<p><b>Q</b></p>  <p>PAS ( 4 PCS )</p>	<p><b>R</b></p>  <p>BOLT 1/4" x 15 mm (16 PSC)</p>	

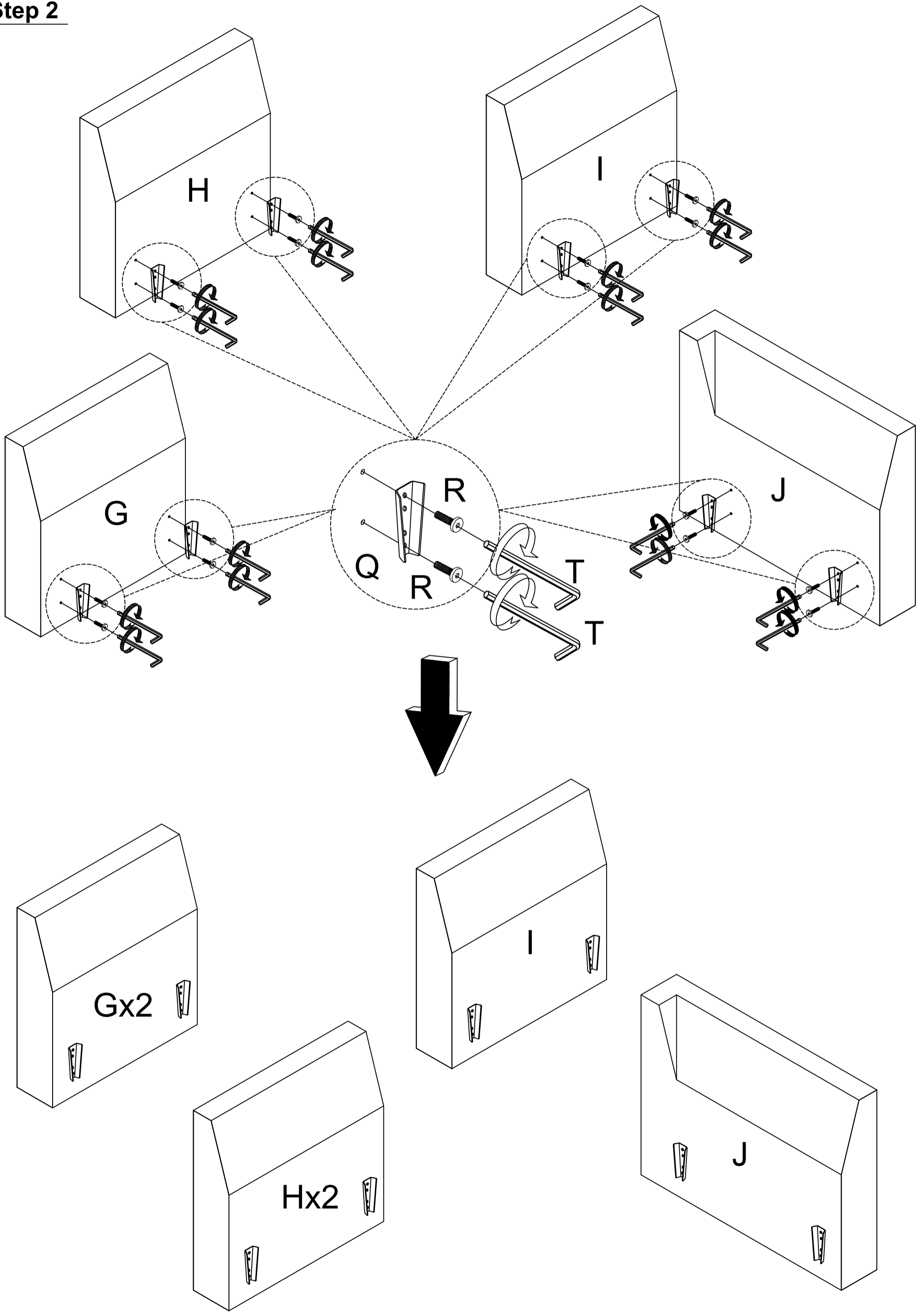
## PART LISTS BOX 5:WF323630

<p><b>E</b></p>  <p>LEFT ARM (1 PC)</p>	<p><b>F</b></p>  <p>RIGHT ARM (1PC)</p>	<p><b>J</b></p>  <p>CONER CHAIR BACK (1PC)</p>	<p><b>N</b></p>  <p>PILLOW ( 1 PC )</p>	<p><b>X</b></p>  <p>LOVE SEAT CUSHION BACK (1PC)</p>
---	--	--	--	---

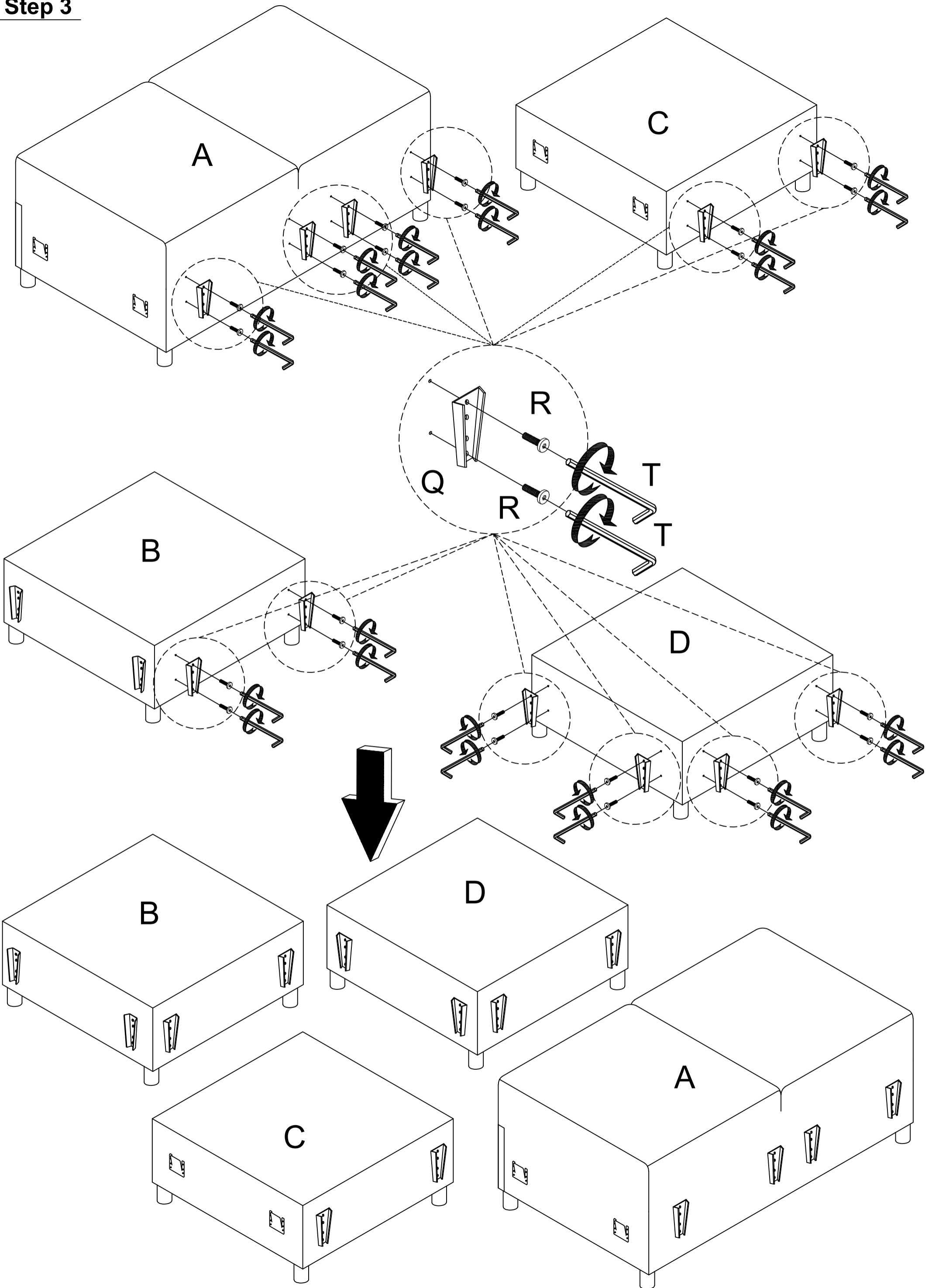
# Step 1



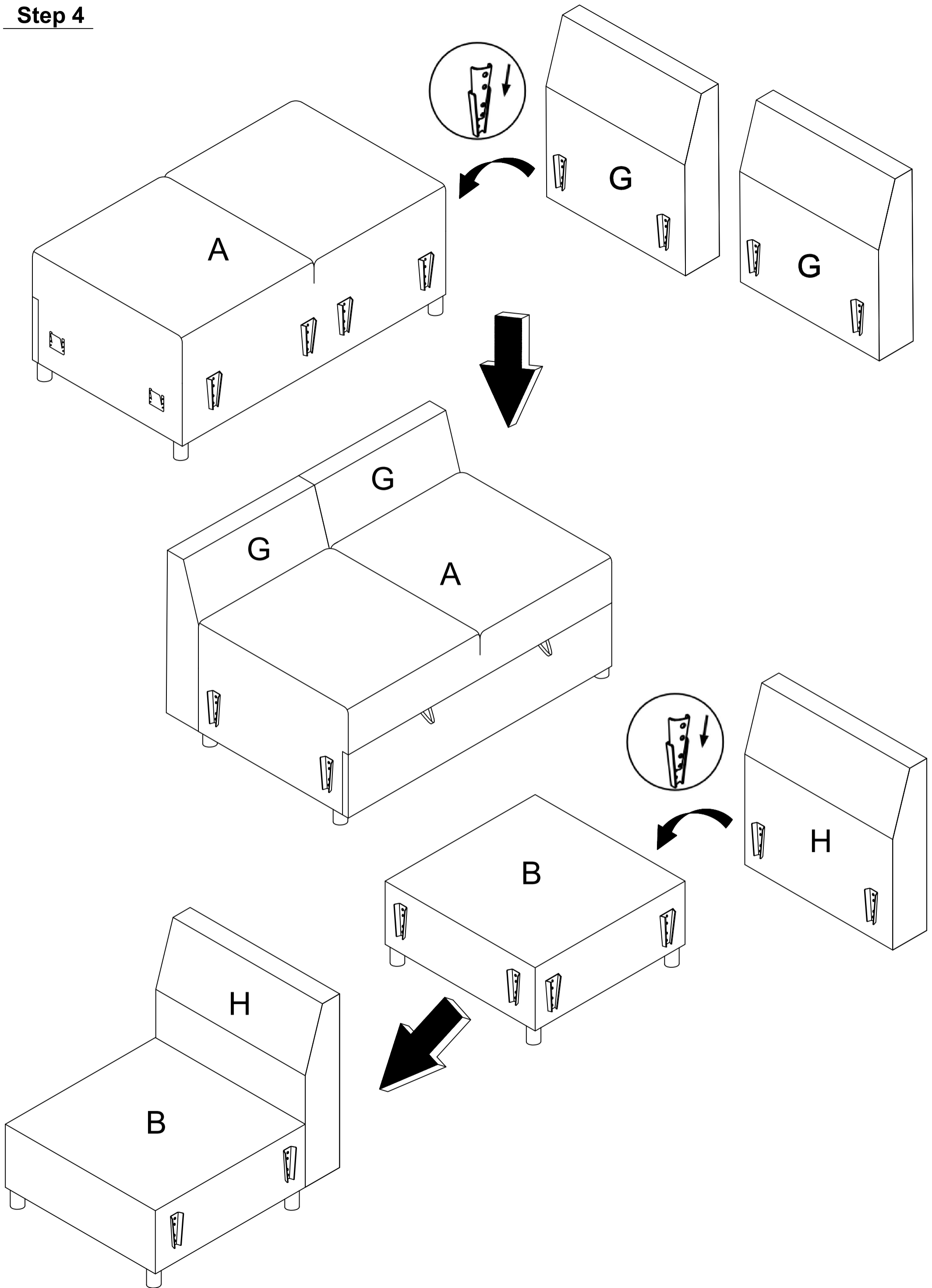
**Step 2**



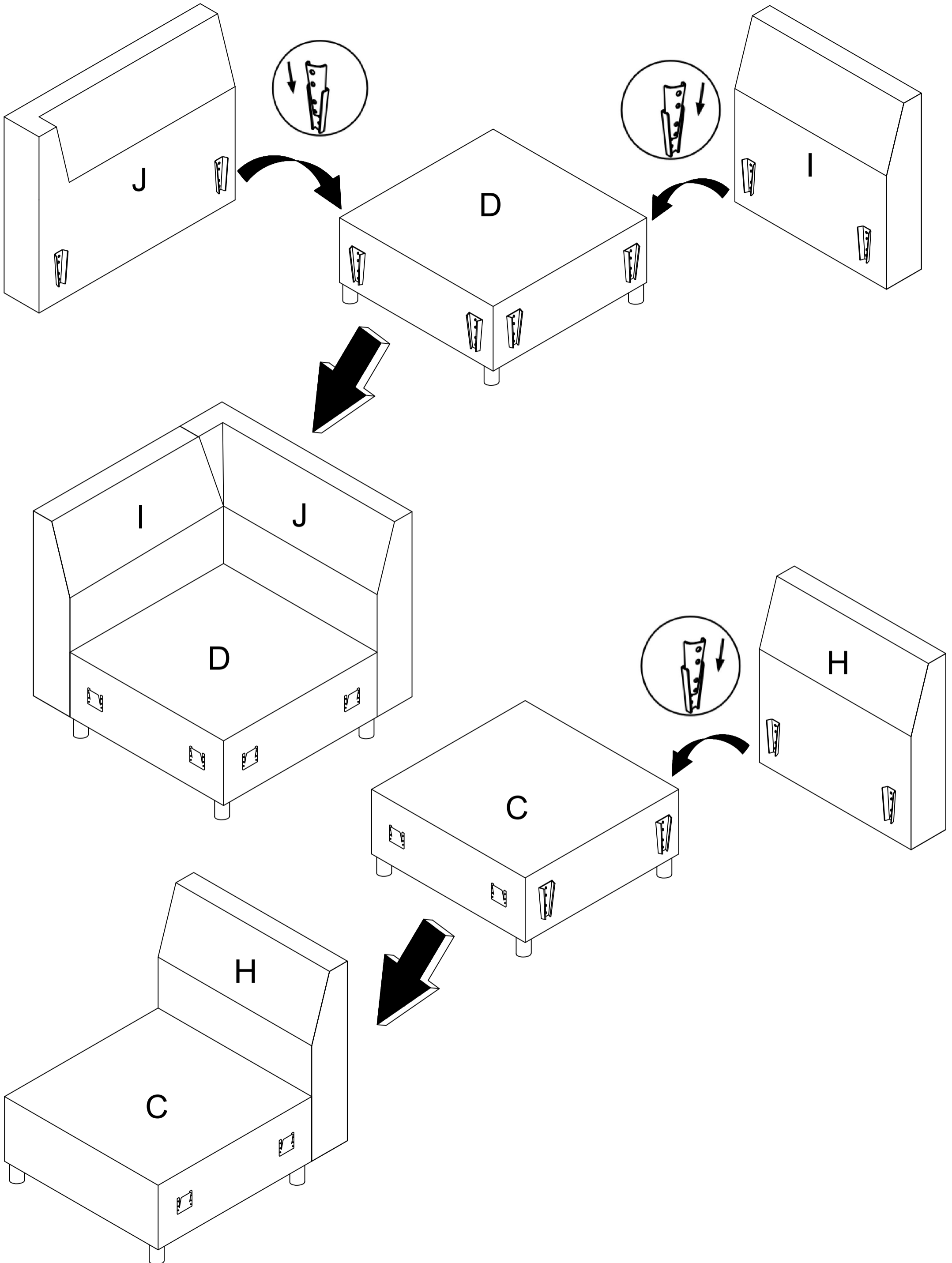
Step 3



**Step 4**

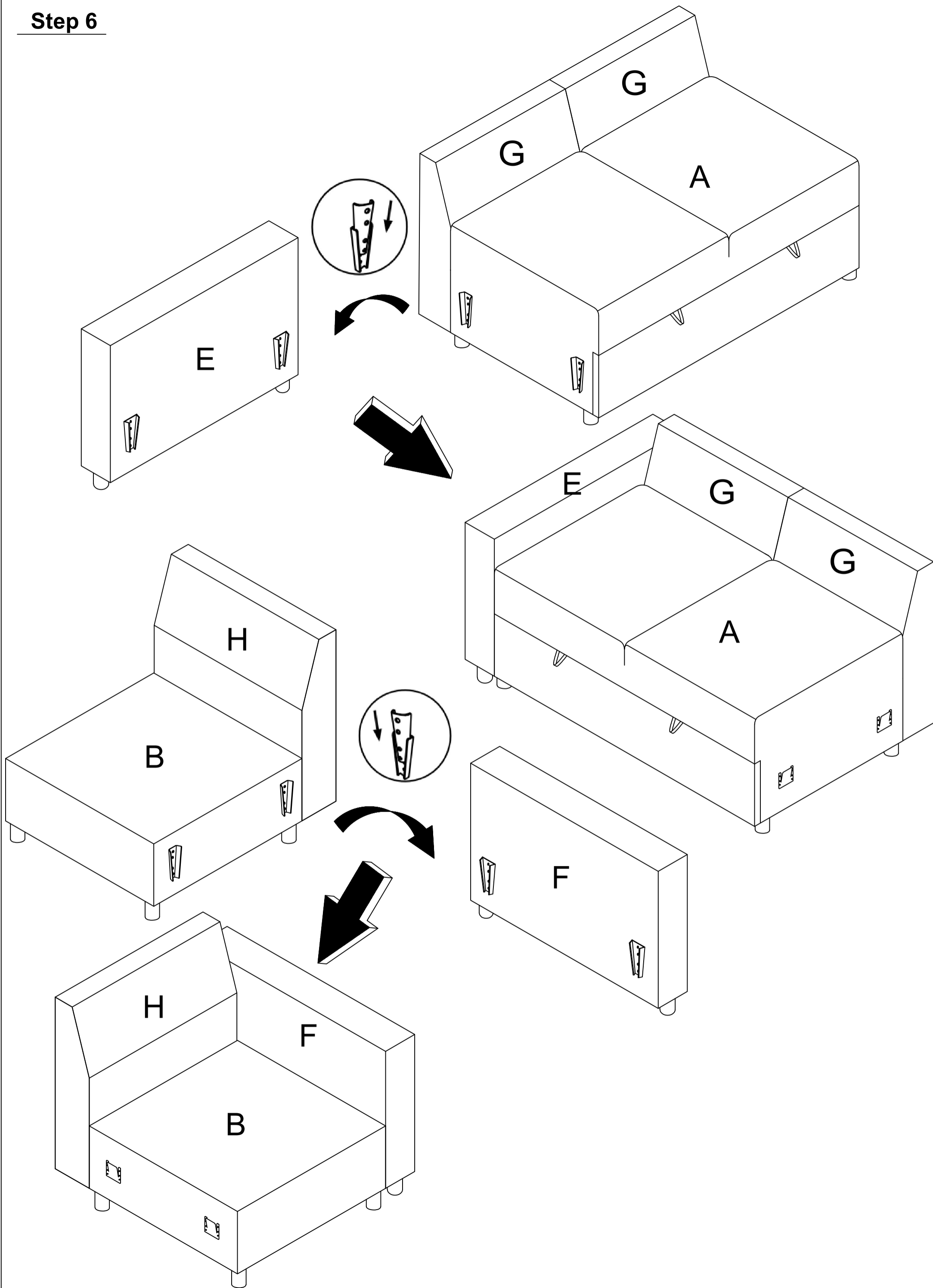


**Step 5**

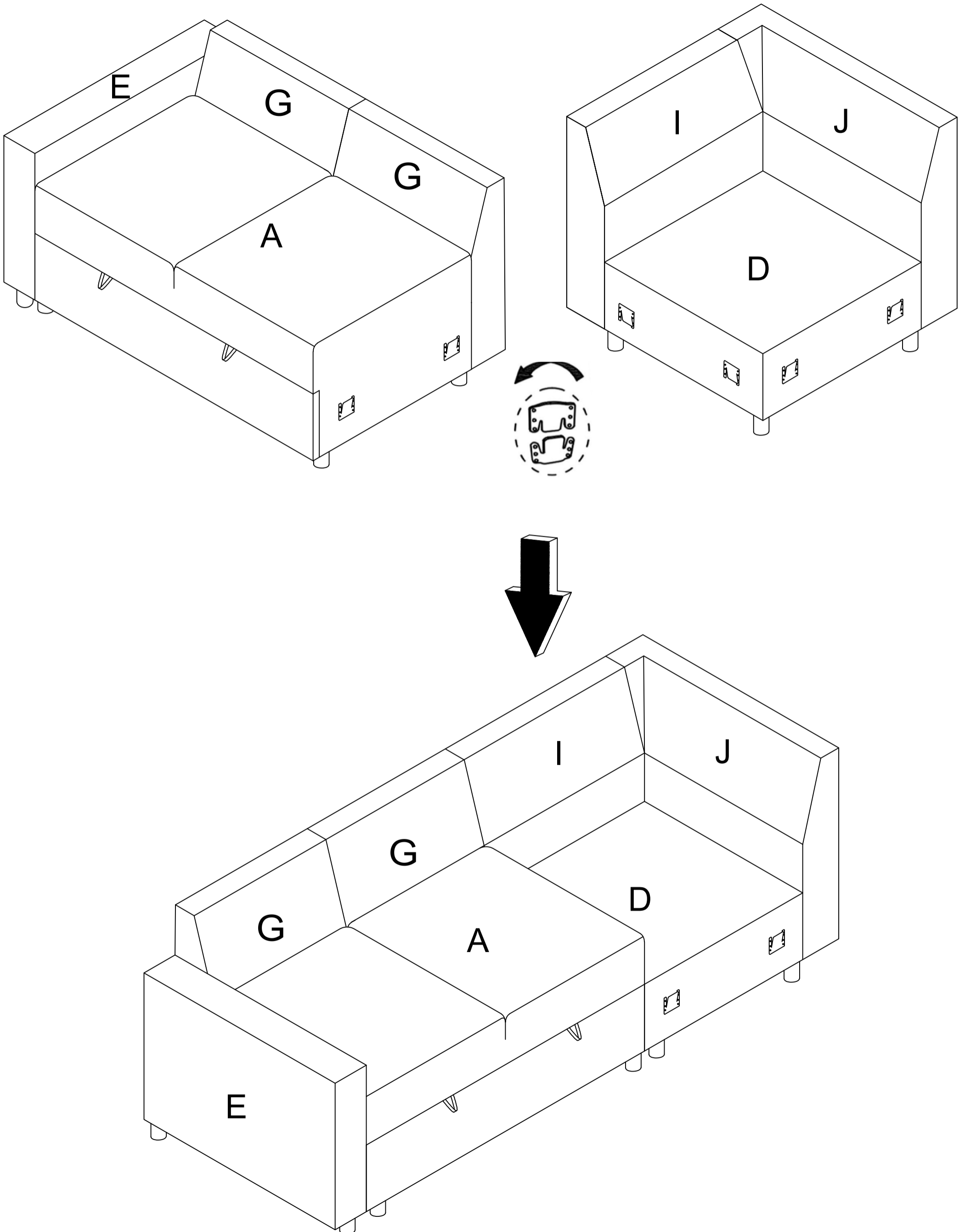




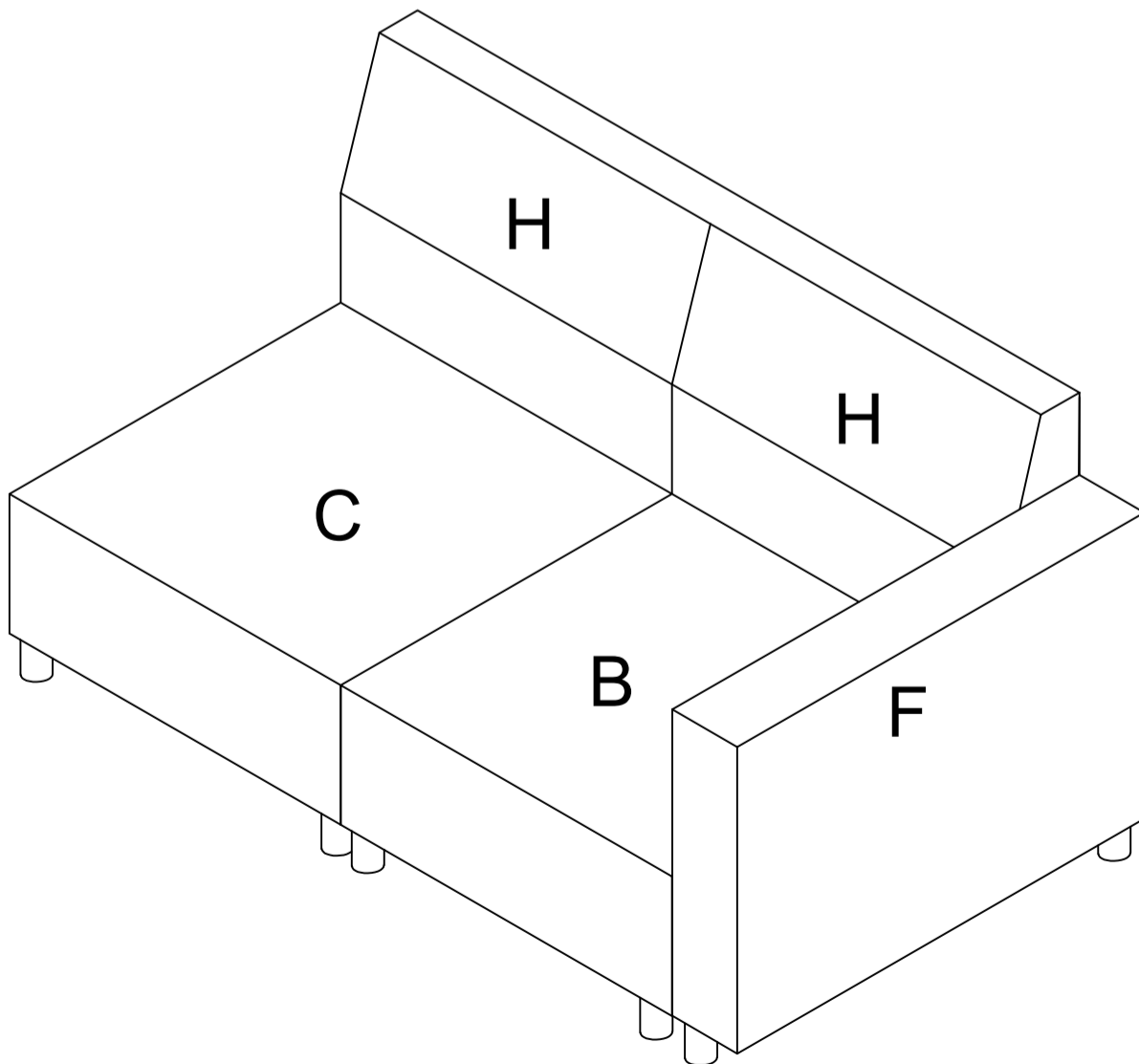
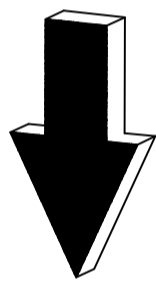
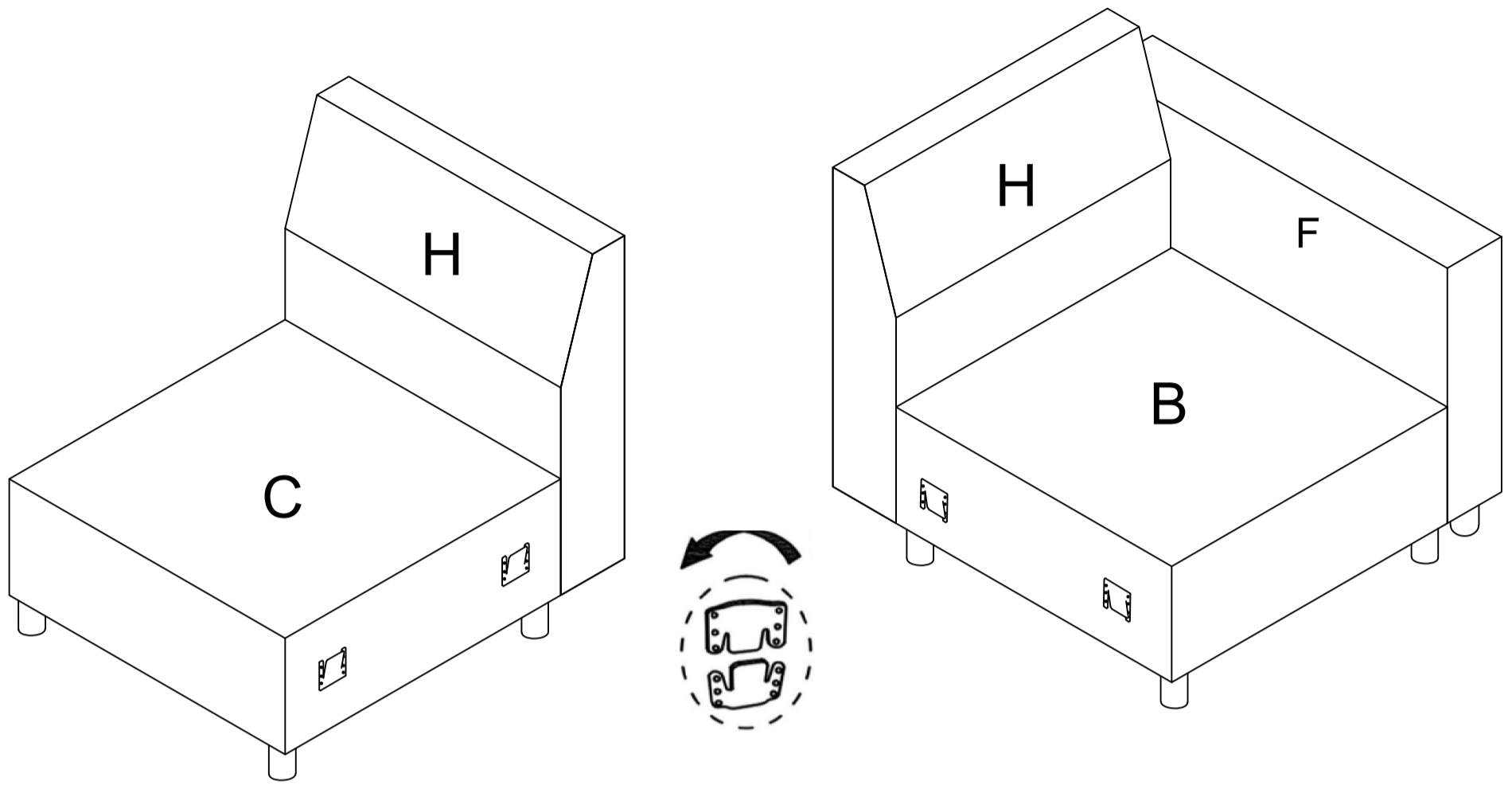
**Step 6**



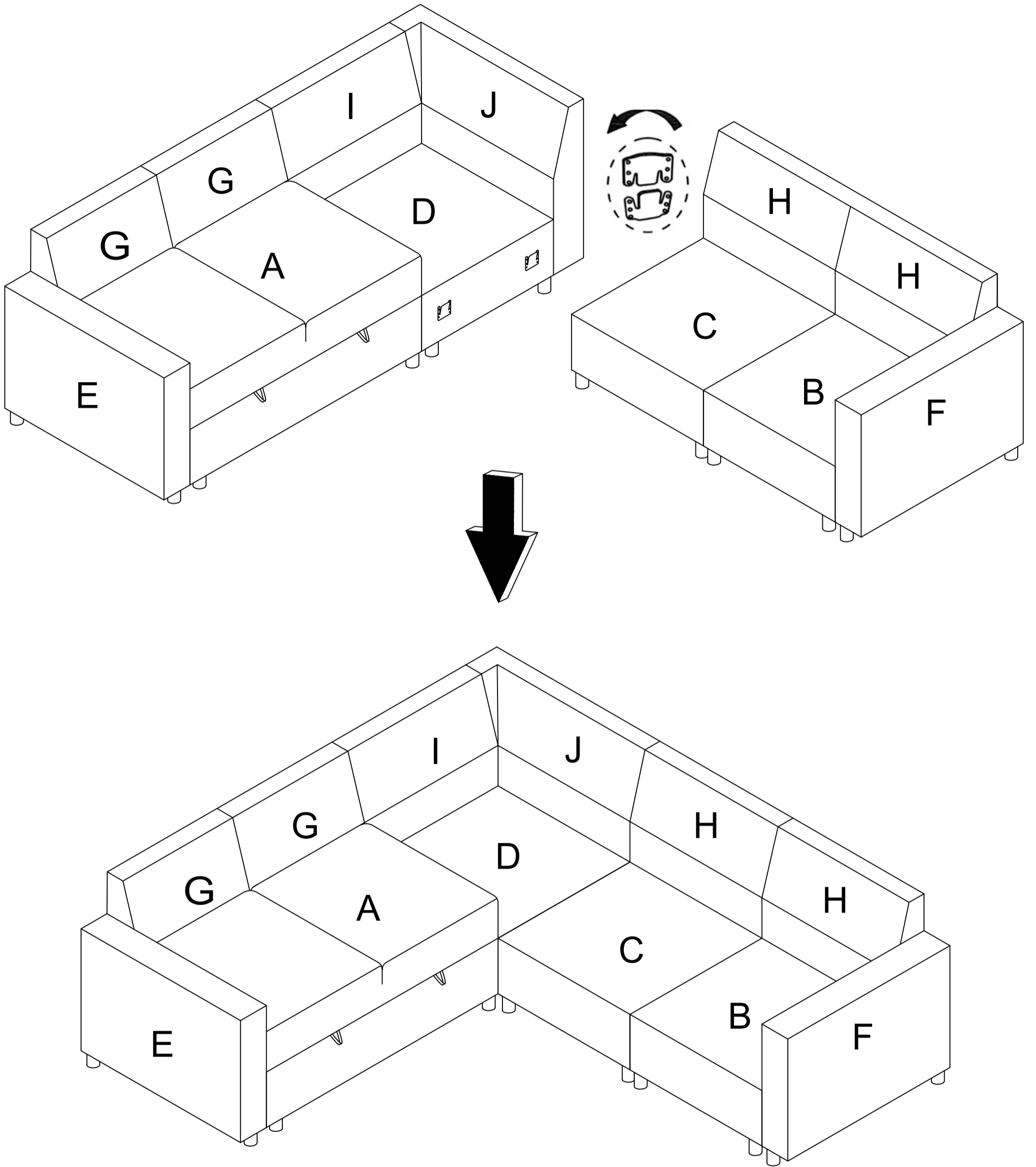
**Step 7**



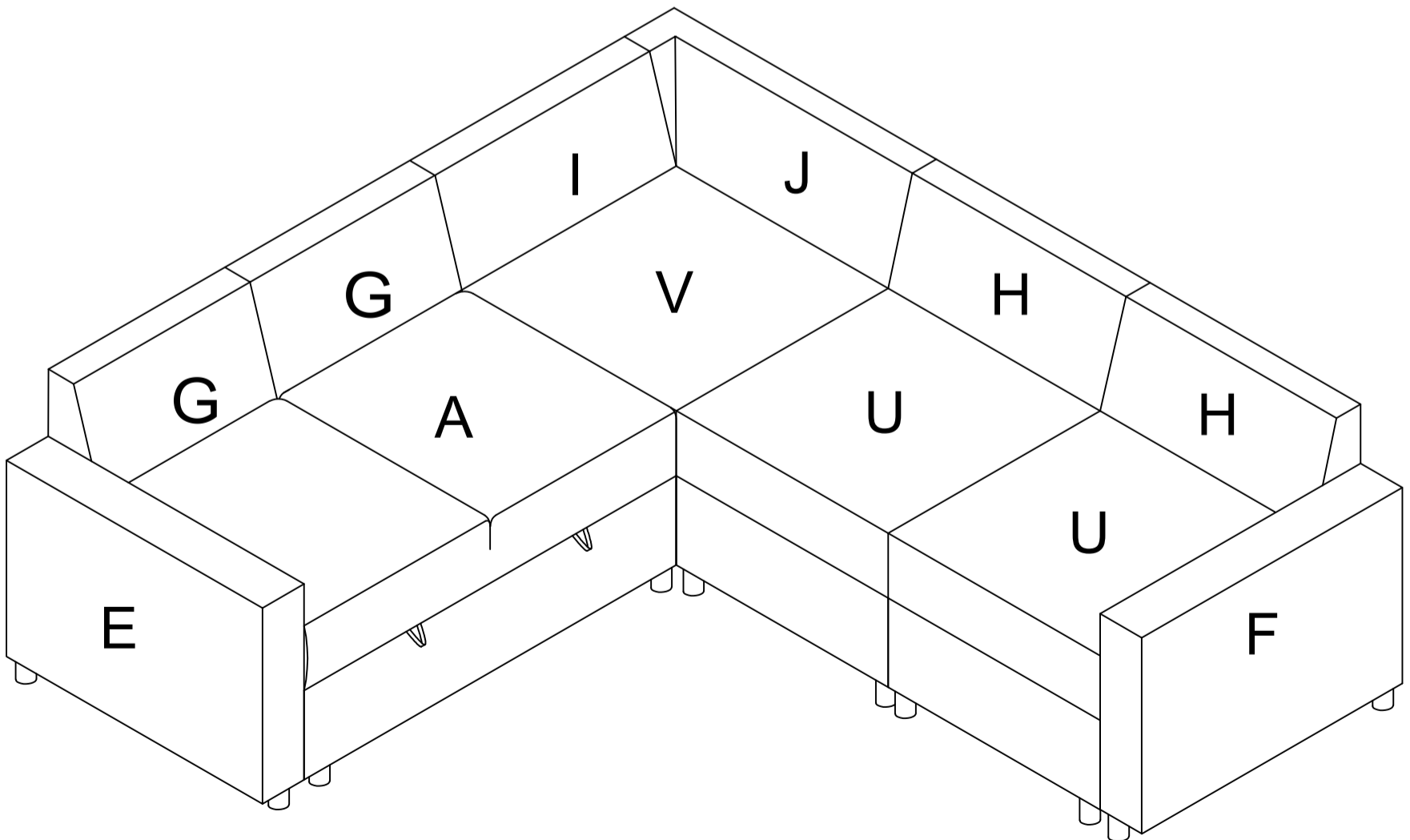
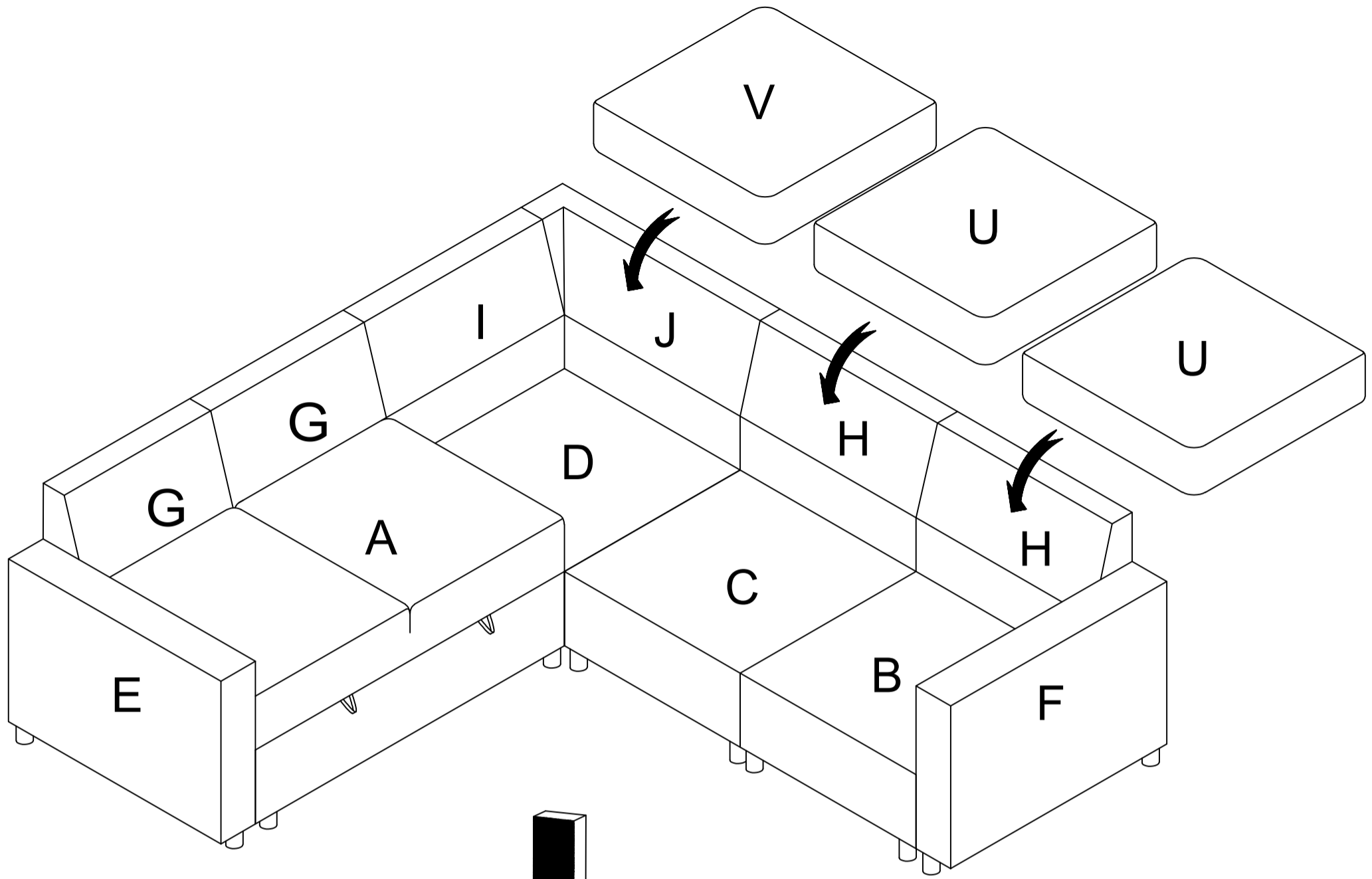
**Step 8**



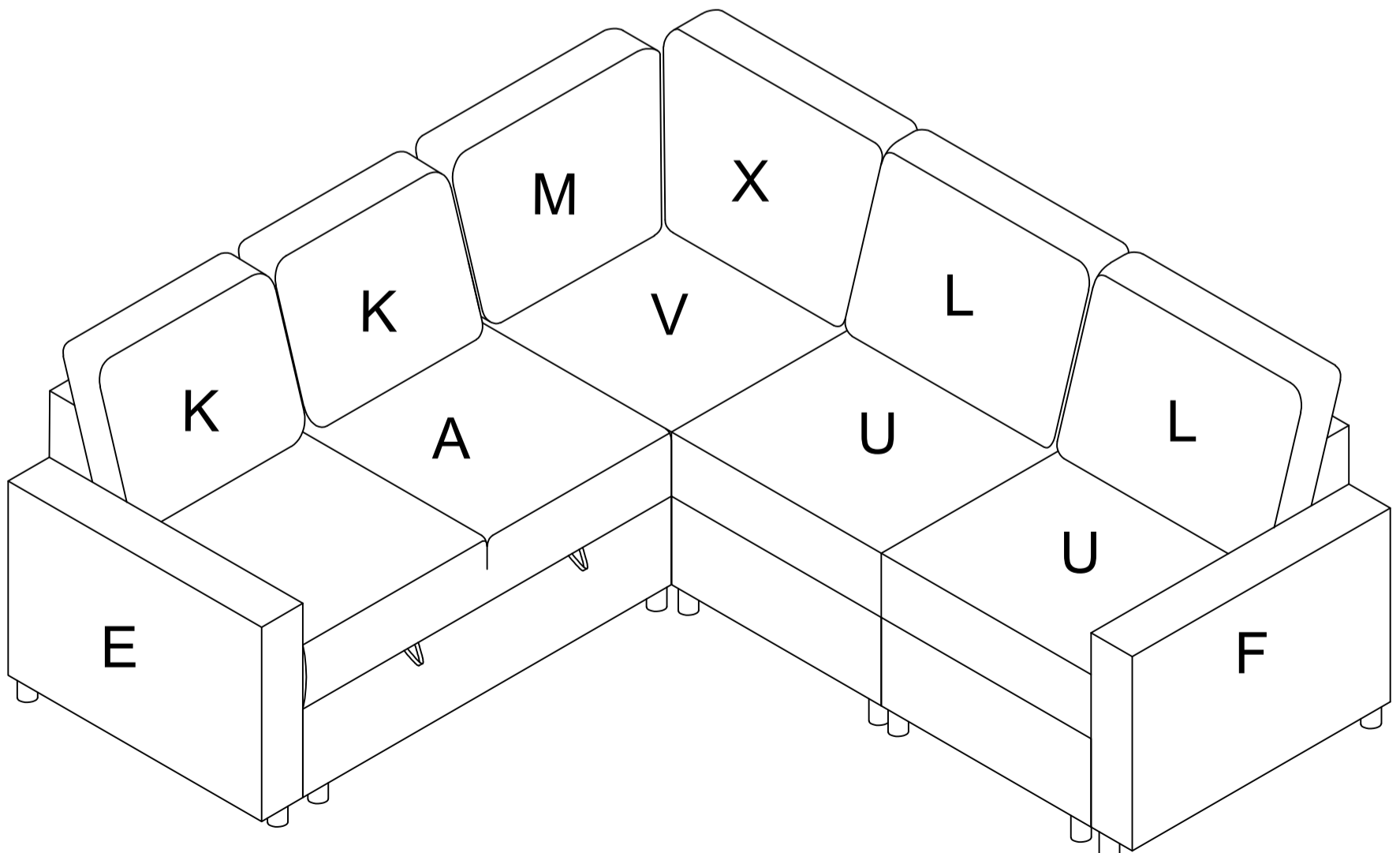
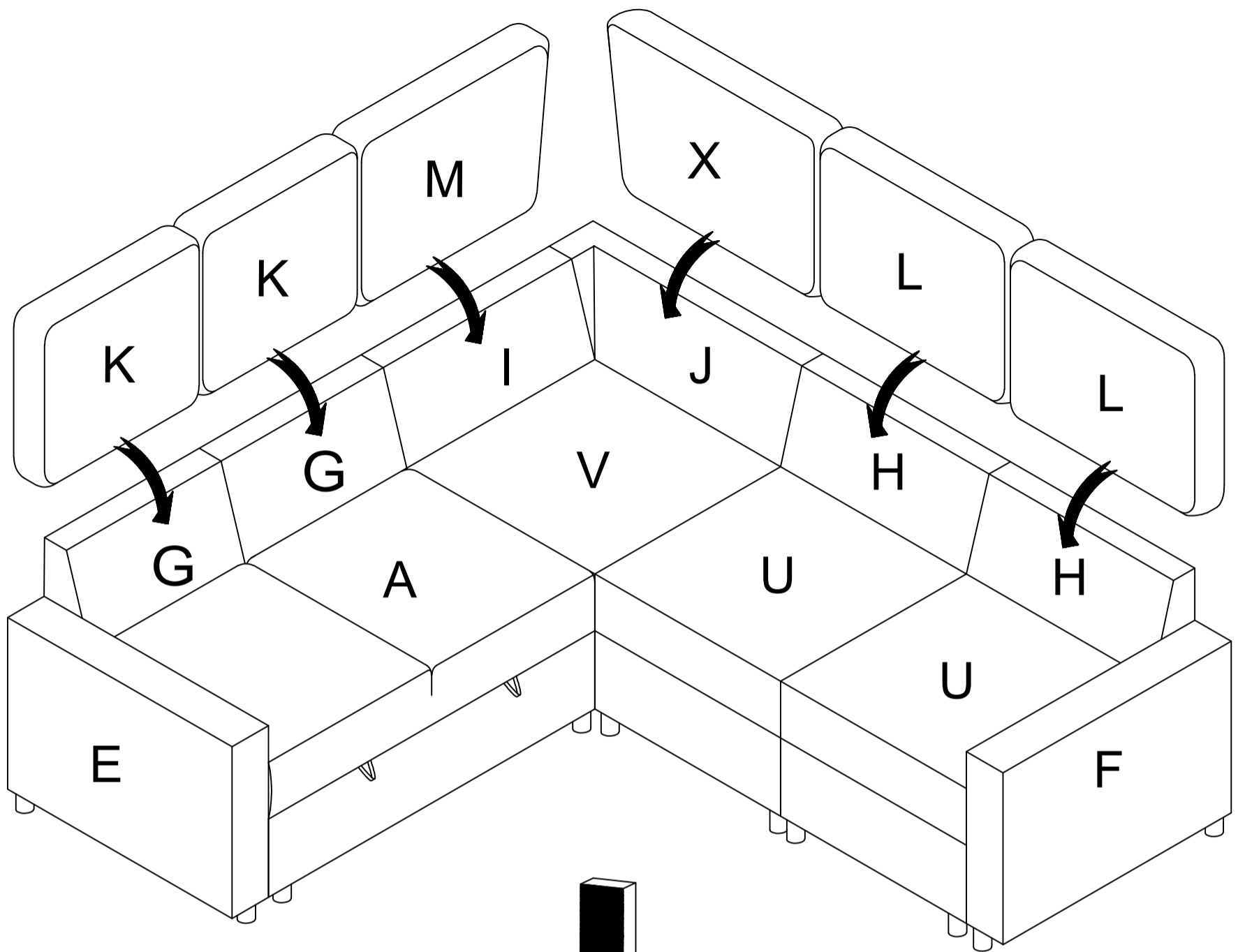
**Step 9**



**Step 10**



**Step 11**



**Step 12**

