

ASSEMBLY INSTRUCTIONS

WF324429/ WF324430/ WF324431

IMPORTANT NOTE

** Place all parts on a lean and smooth surface such as a rug or carpet to avoid the parts from being scratched.

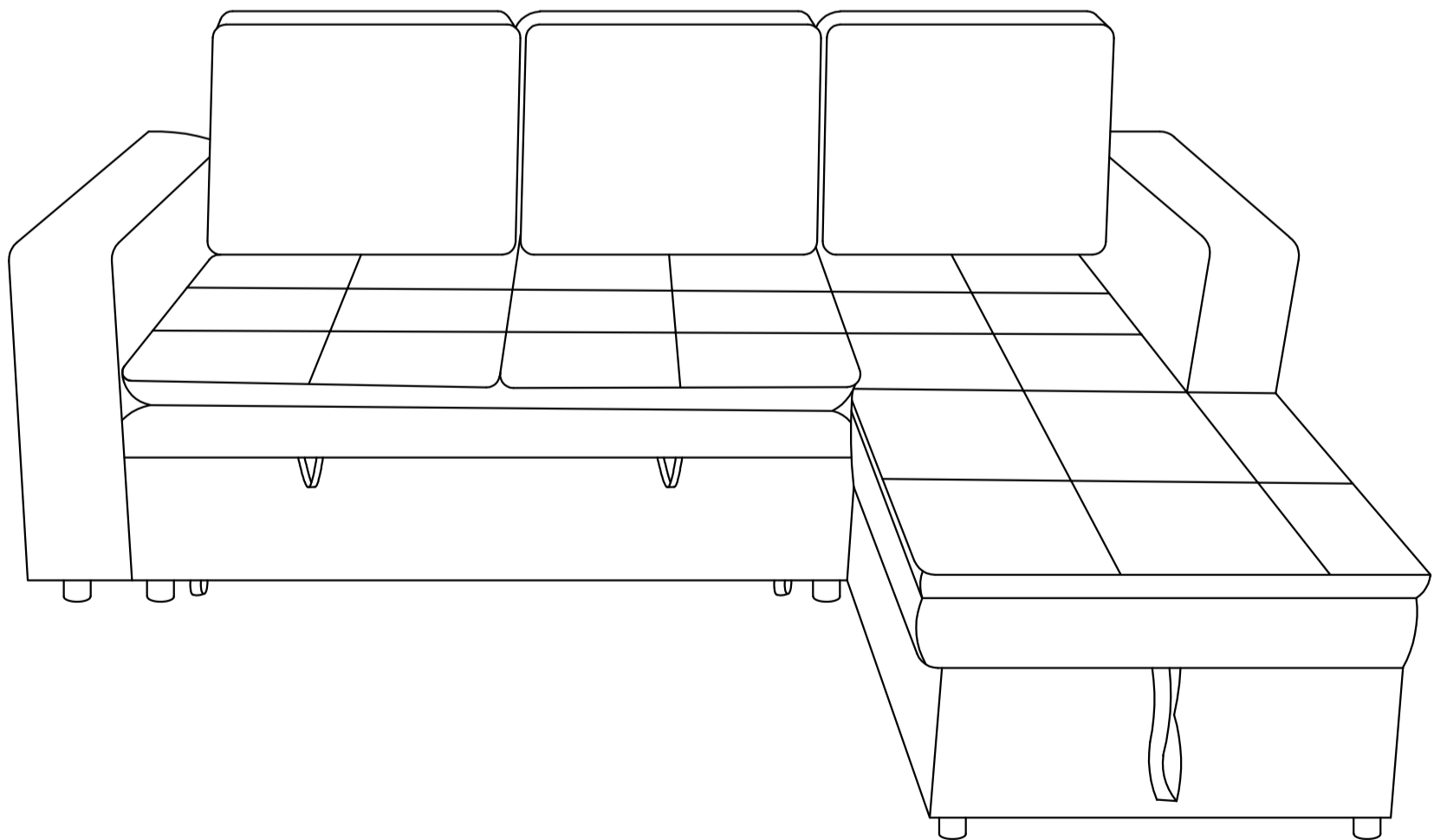
** Before you begin, please review the assembly instruction step by step.

** Return & Warranty policy:

-We strive to offer the highest quality products. We also provide positive solutions with replacements or refund if needed.

-If the item is damaged or defective, please take photos to show the problem and email to the seller.

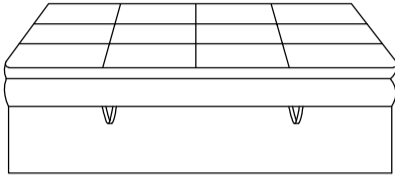

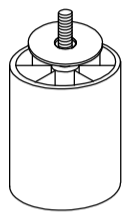
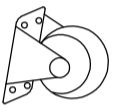
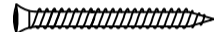
-Please do not return back the products before contact the seller.



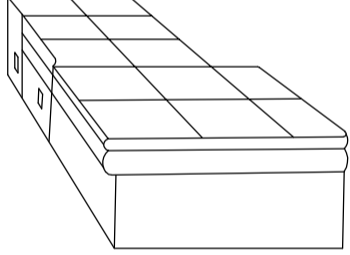
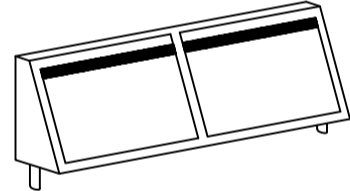
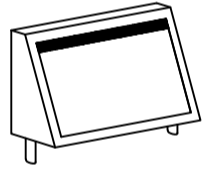

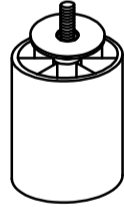
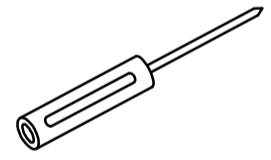
ASSEMBLY INSTRUCTIONS

WF324429/ WF324430/ WF324431

PART LISTS BOX1: WF324429

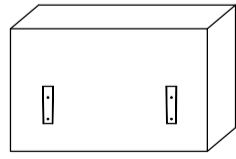
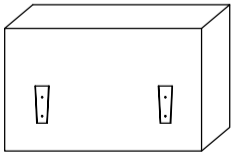
| | | |
|--|--|--|
| A  LOVESEAT (1 PC) | G  LOVESEAT CUSHION BACK (1 PC) | 1  Leg (4 PCS) |
| 2  WHEEL (4 PCS) | 3  SCREW M4*30 (16PCS) | |

PART LISTS BOX 2: WF324430

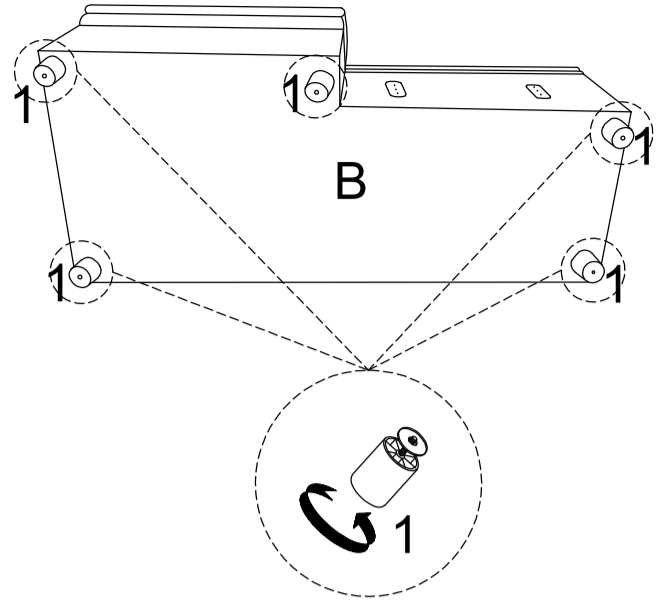
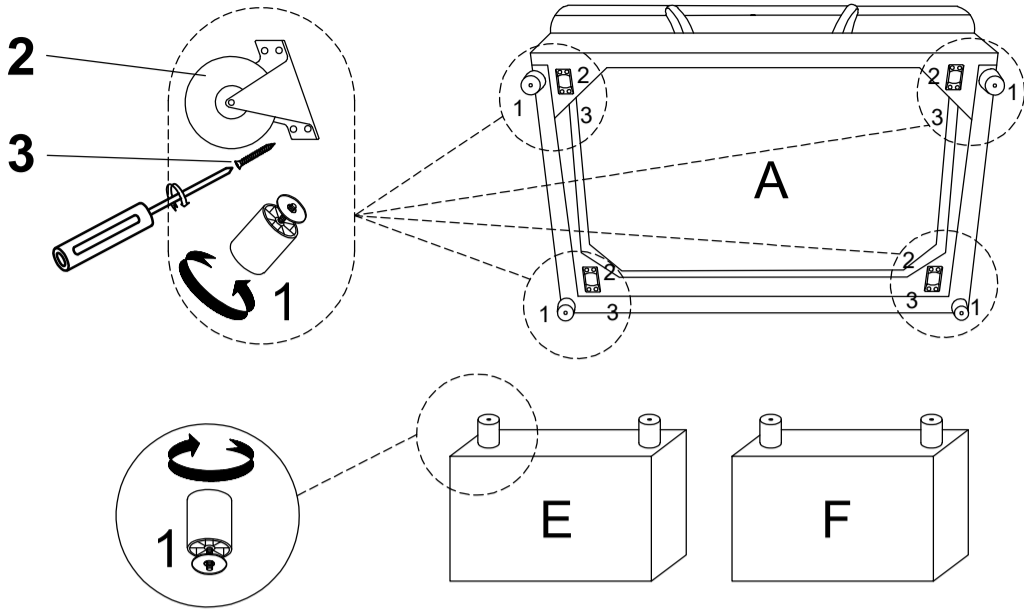
| | | |
|---|--|--|
| B  CHAISE (1 PC) | C  LEFT LOVESEAT BACKREST (1PC) | D  CHAISE BACKREST (1PC) |
| G  CHAISE CUSHION BACK (2PCS) | 1  Leg (9 PCS) |  |

Phillips Screwdriver
(Not included)

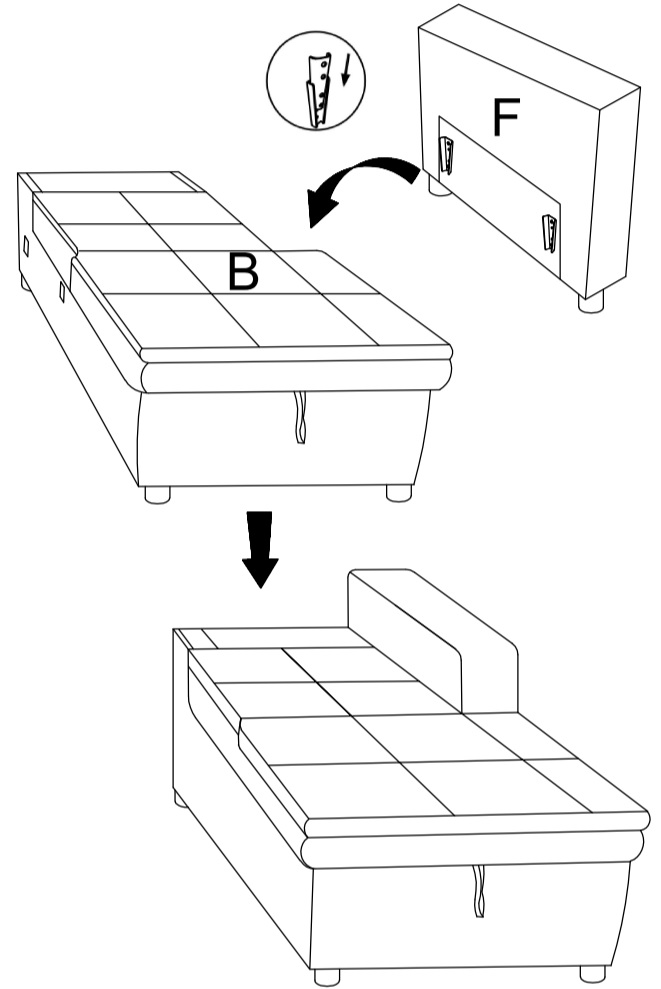
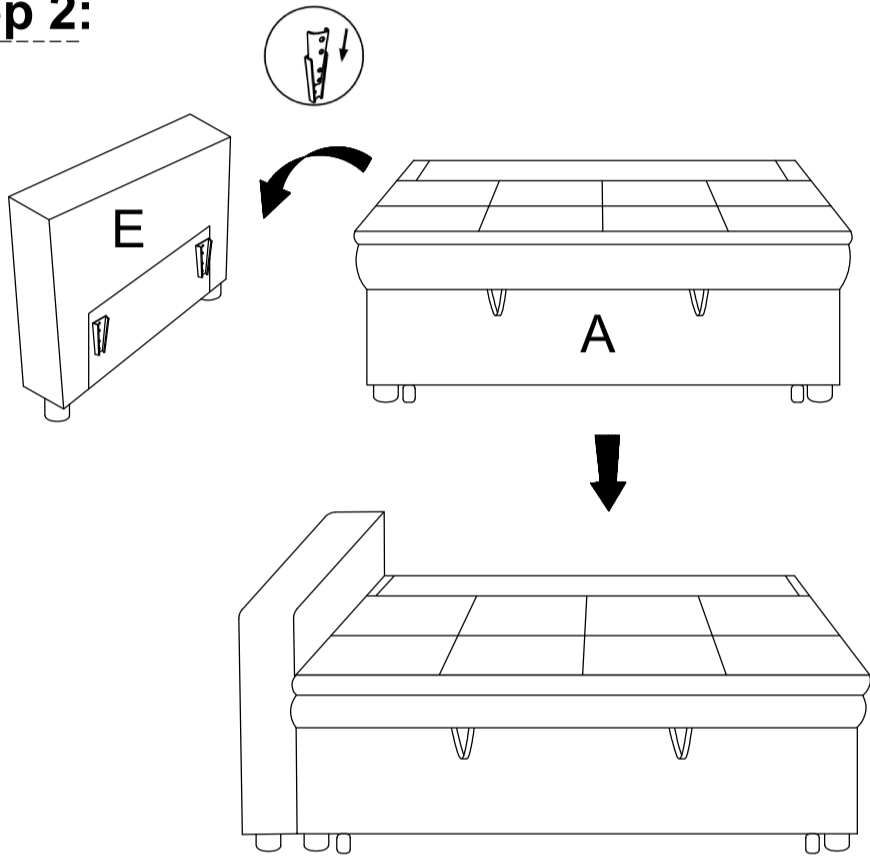
PART LISTS BOX 3: WF324431

| | |
|---|--|
| E  RIGHT ARM (1 PC) | F  LEFT ARM (1PC) |
|---|--|

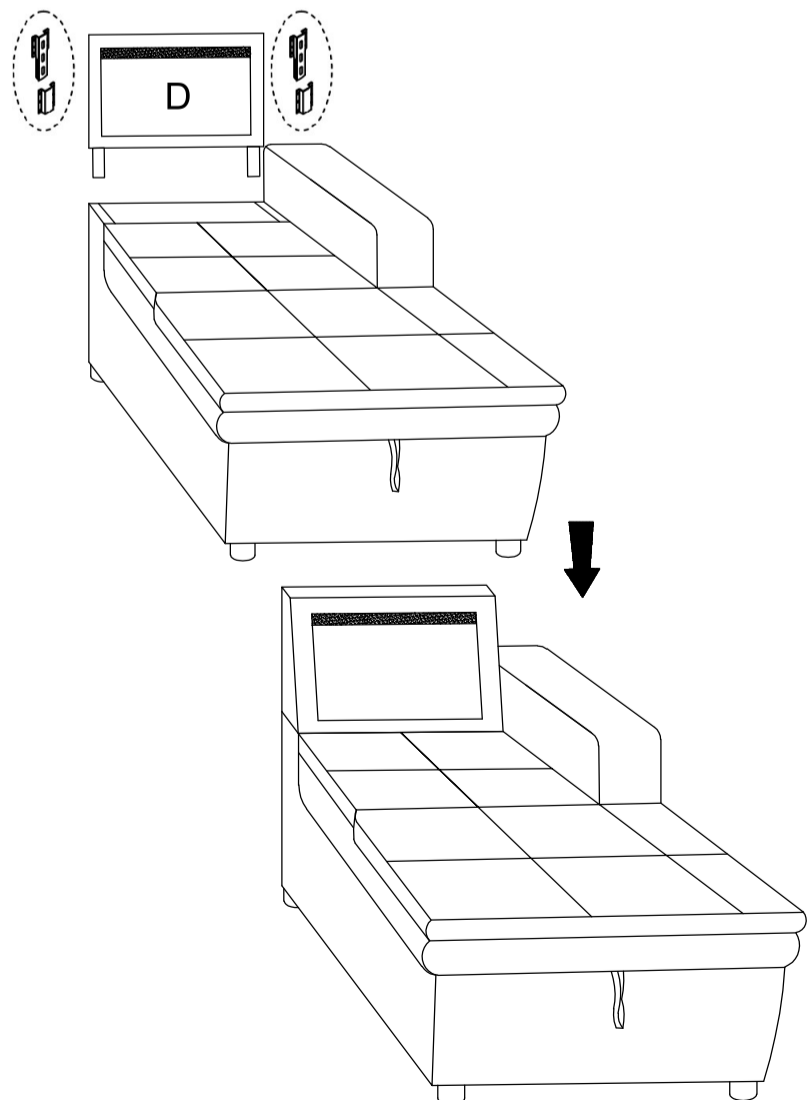
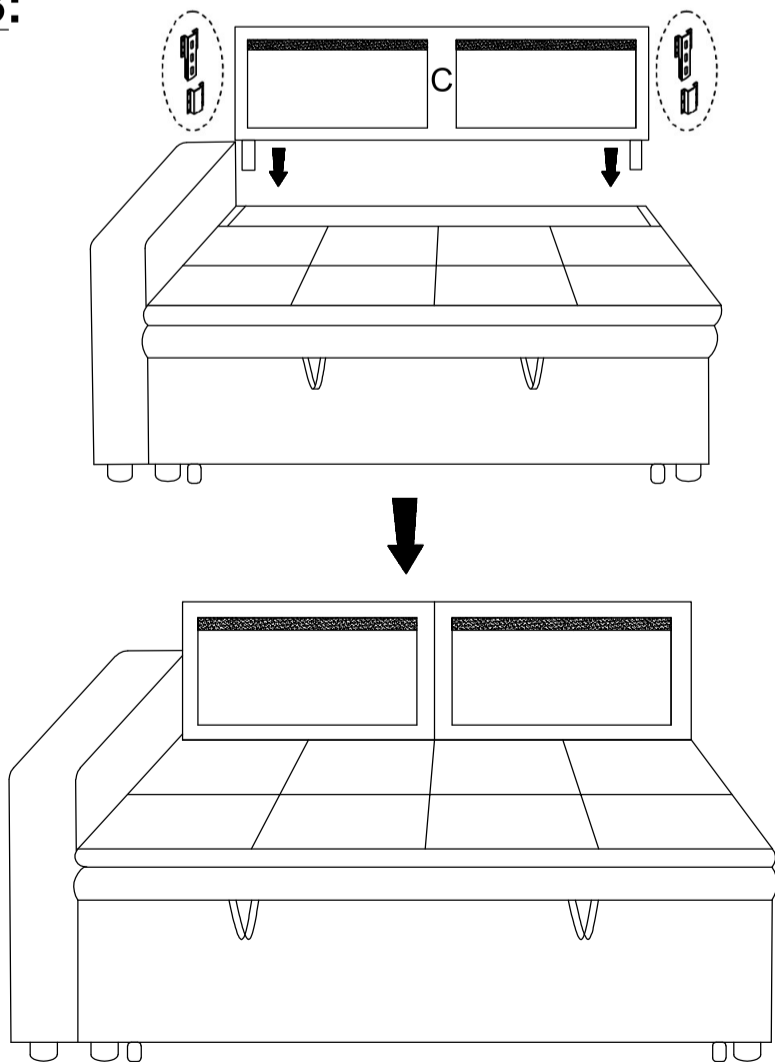
Step 1



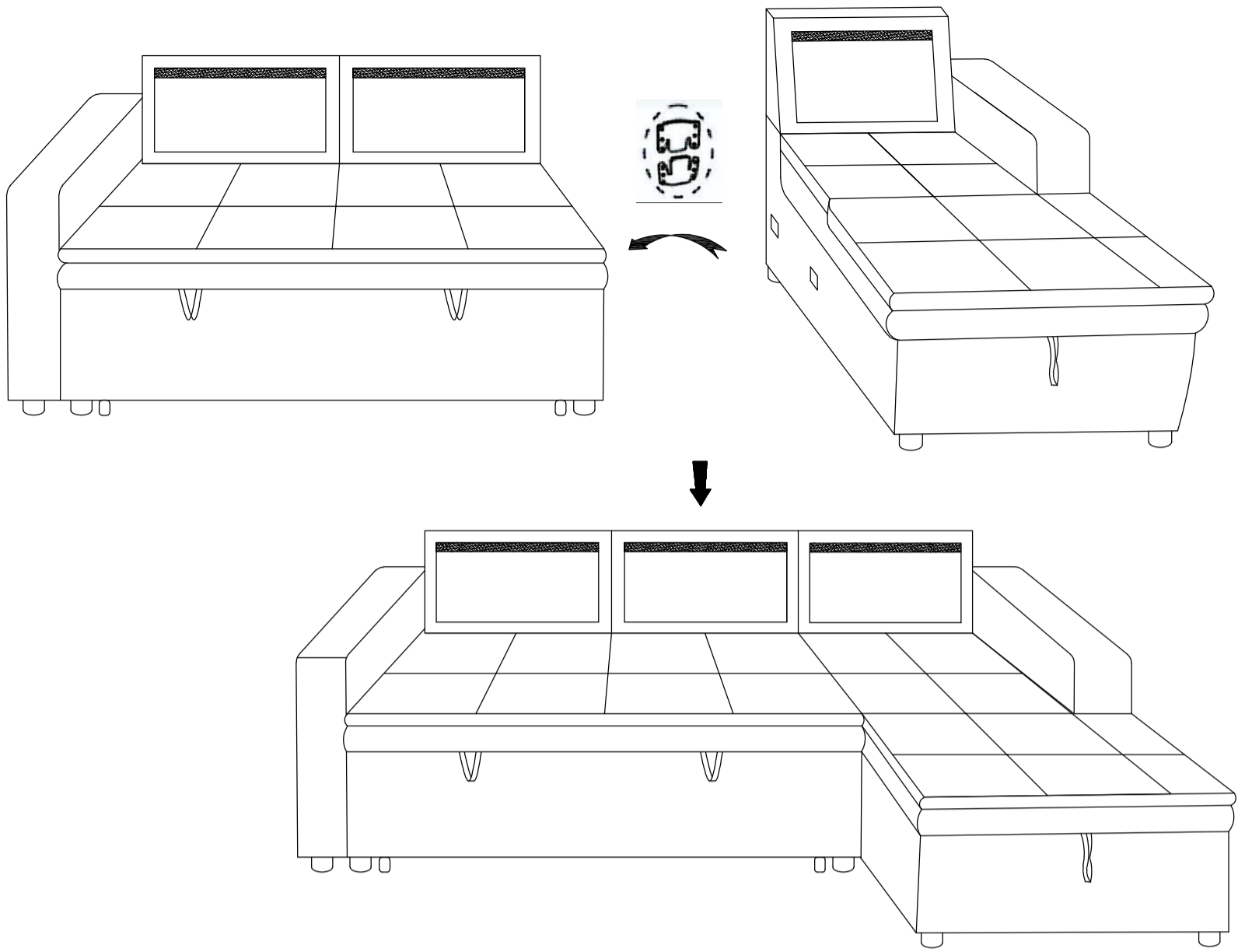
Step 2:



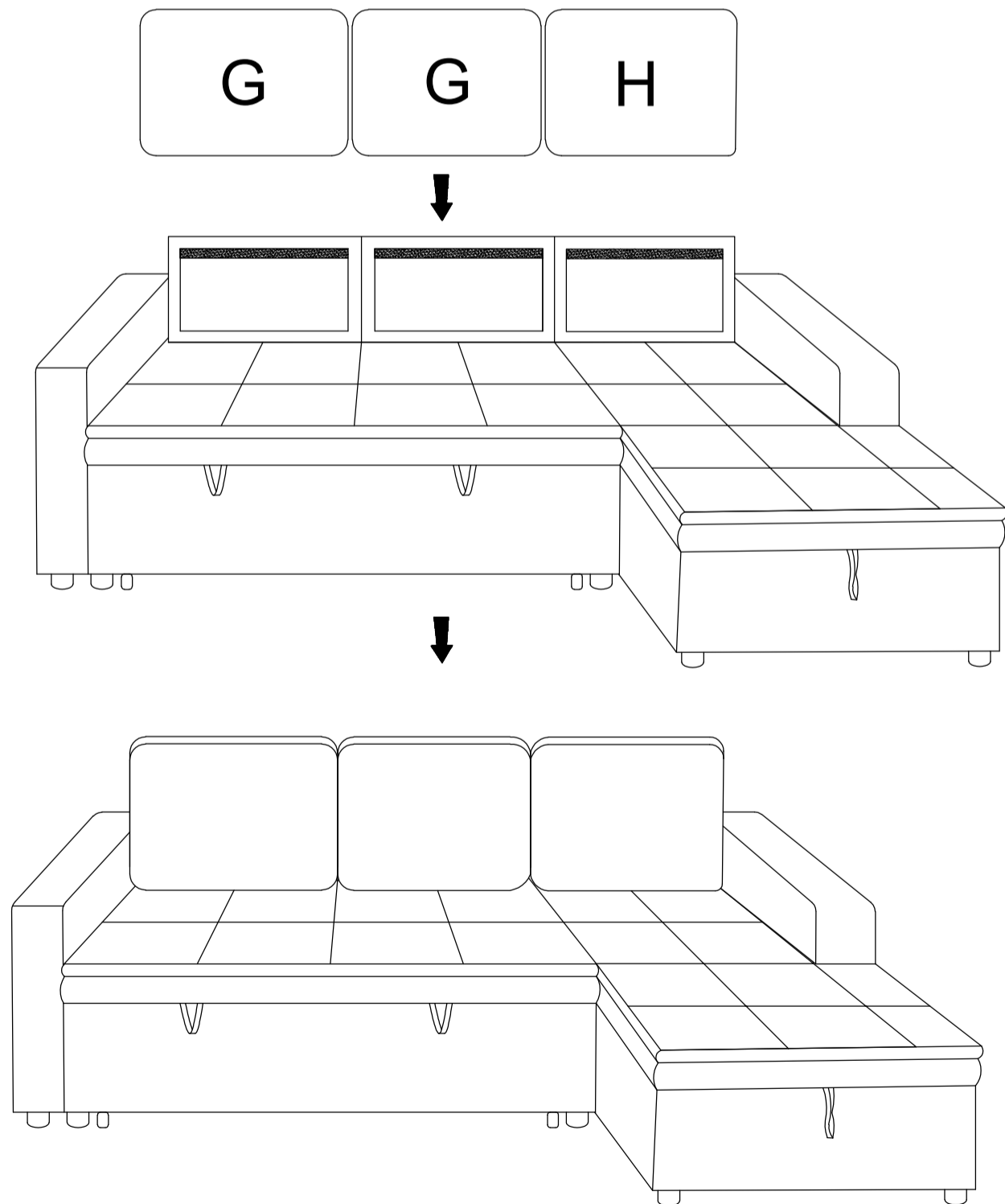
Step 3:



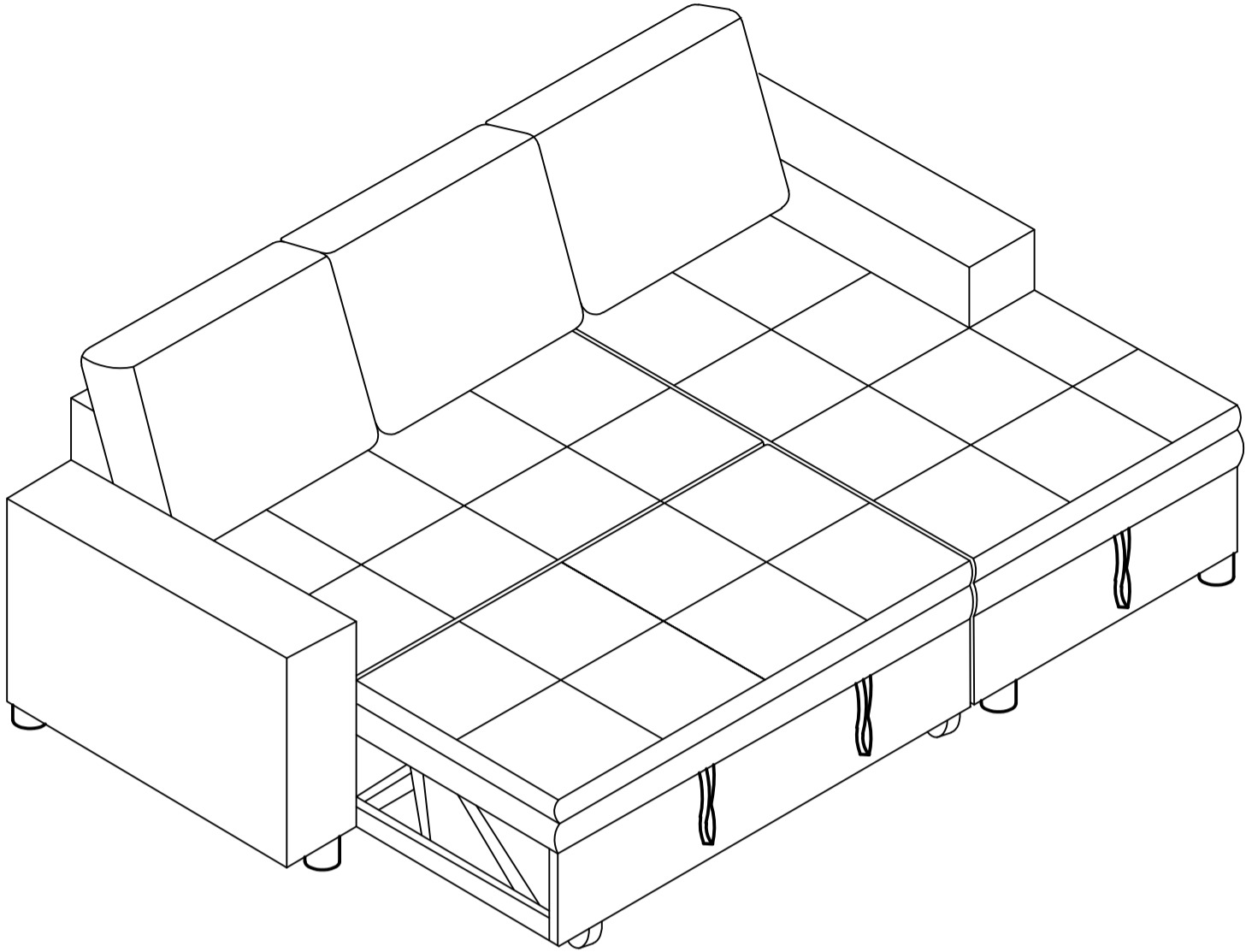
Step 4:



Step 5:



Step 6:



Step 7:

