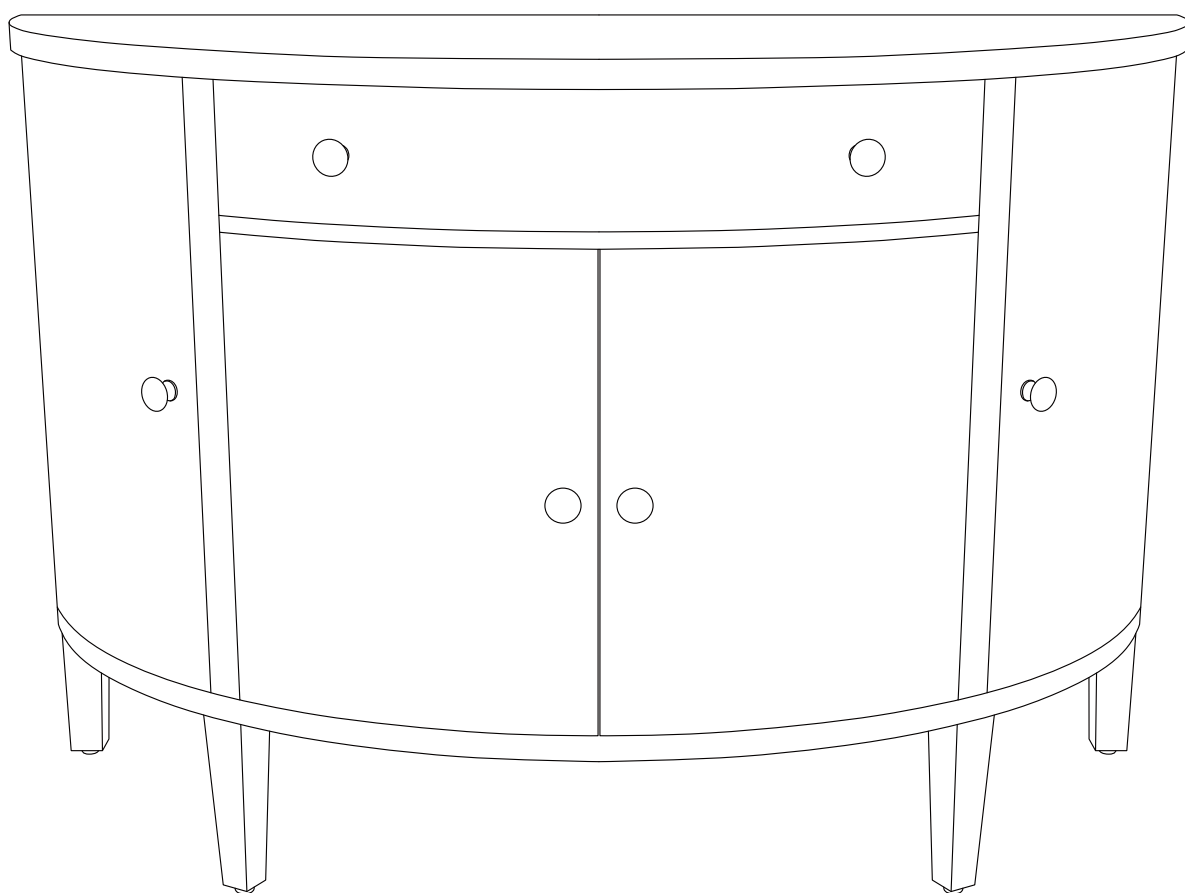


**SKU:WF317736**



1. Thank you for choosing *our products*.

2. Return Policy



DO NOT RETURN TO THE STORE! Skip the process of returning your product and contact us directly for a replacement

If you find that parts of your order are missing or damaged, we will gladly ship any needed replacement parts free of charge.

If your product's quality does not meet your expectations or you have found any sort of defect, please contact our customer service department and let us know the details of your order and any issues encountered, we will try our best to provide you with a solution. Feel free to also directly contact our manufacturer concerning needed replacement parts and they will be happy to help provide you with a solution or answer any questions you may have.

#### Recommendations Before Beginning Assembly



- Read instructions, cover to cover



- Have 2-4 adults on hand for assembly depending on product size



- Do not assemble directly on flooring or carpet



- Assemble on a clean non-marring surface (example: packing foam)



- Save all packaging until finished











#### 3. Assembly Notice:

- If you encounter any problems during assembly and find that you cannot continue, rest assured we will help you solve the situation as soon as possible. Simply keep all of the parts of the product stored in a safe place and contact us immediately so we may assist you further.
- Once you have opened your package, remove all inner hardware packages and take the parts out. One by one, Place the parts out neatly in front of you, then refer to the instructions to ensure no parts are missing. If any pieces are found missing, please carefully look in the box first, as the hardware packaging might have torn making the

hardware spill in the box.

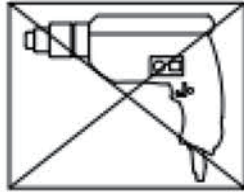
- Some key parts of your product may be stored and hidden inside of other parts. Please open any zippered or hook & loop storage compartments to remove all parts. (example: cushions and legs being stored in the underside of a sofa)
- **IMPORTANT:** When setting up your product, **DO NOT INSTALL THE SCREWS ALL THE WAY IN THE BEGINNING.** Place each screw into their proper hole and use your hand to twist the screw halfway. Twist all the screws in halfway to ensure the holes will match up properly and the product is level on the ground. When everything seems fitted, then tighten the screws.
- When you have completed assembly, we suggest you have more than one person to assist you with lifting and placing the product.

## Care & Maintenance

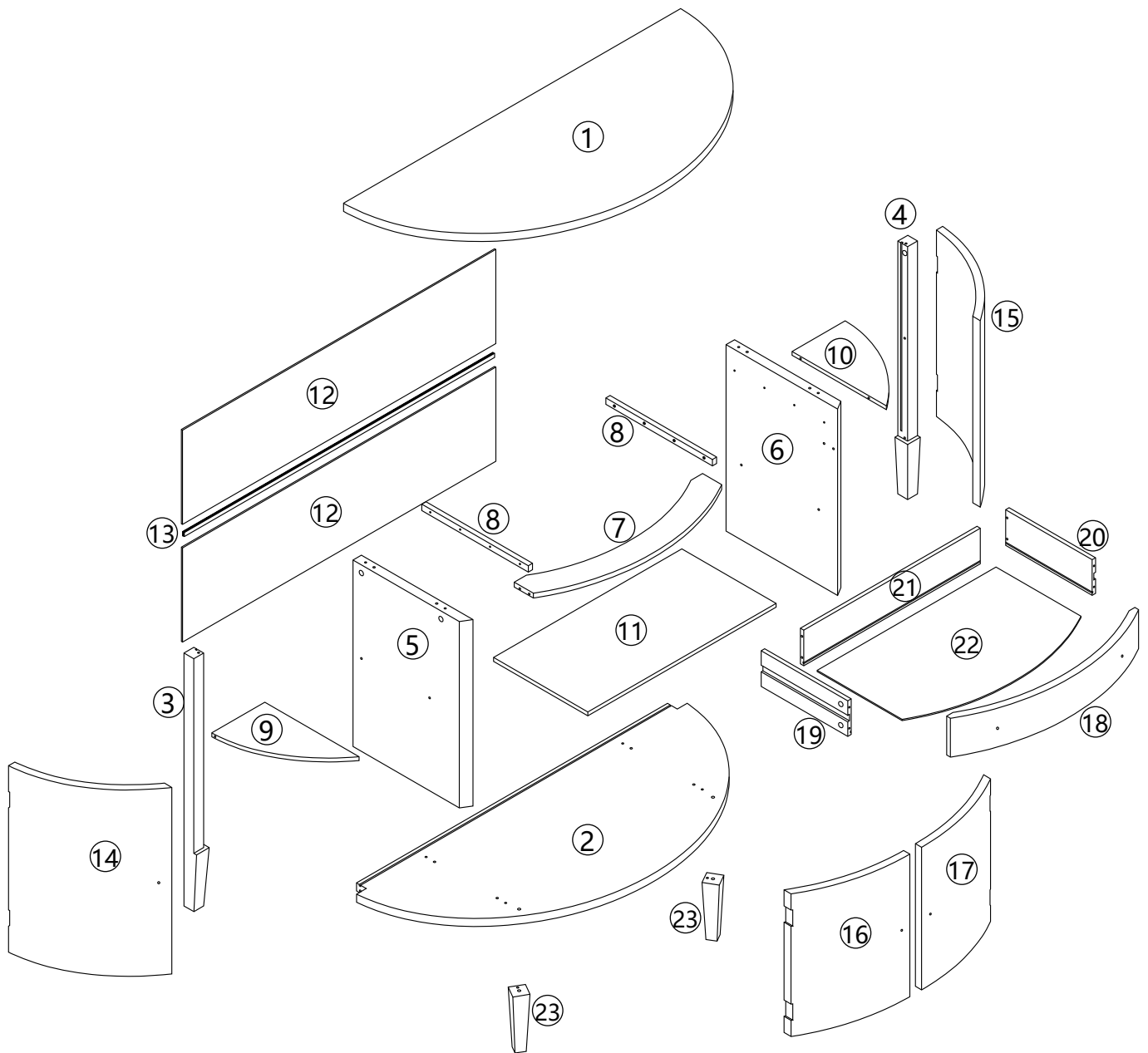
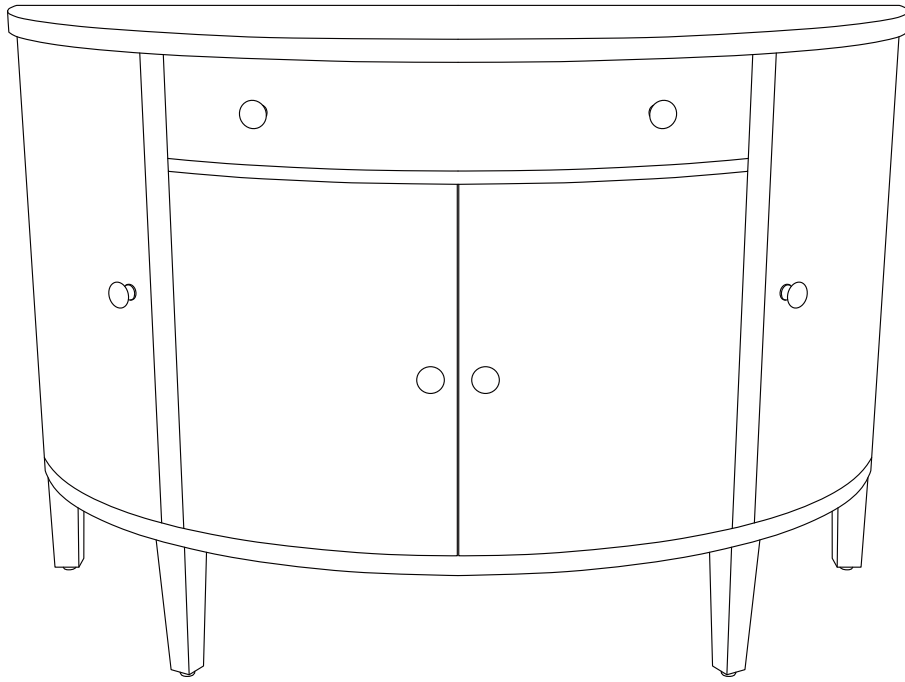
-  Do not put hot items directly on furniture surface
-  Do not clean furniture with harsh cleansers or polish
-  Do not place furniture under direct sunlight
-  Do not place furniture near heating or cooling vents
-  Do not write on furniture without a padded barrier to protect the surface
-  Do not place furniture outside. For indoor use only
-  Not for commercial use. For residential use only
-  Stains may be removed with mild soap solution and damp cloth
-  Children should not climb or jump on the furniture
-  Dust and pick-up spills using a clean, non-colored, lint-free cloth

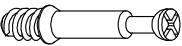

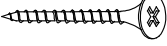
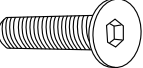

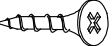
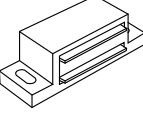
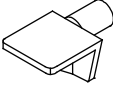
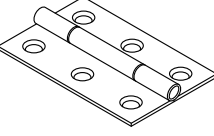
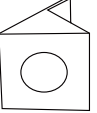


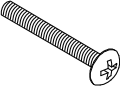
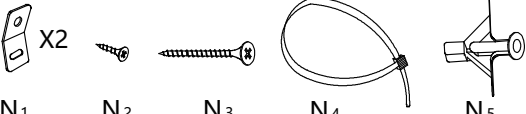
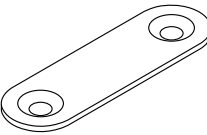


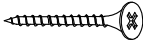
## Caution

- This product contains small components. Please ensure that they are kept away from small children.
- Do not use power tools to assemble your furniture. Power tools may strip or damage the parts.

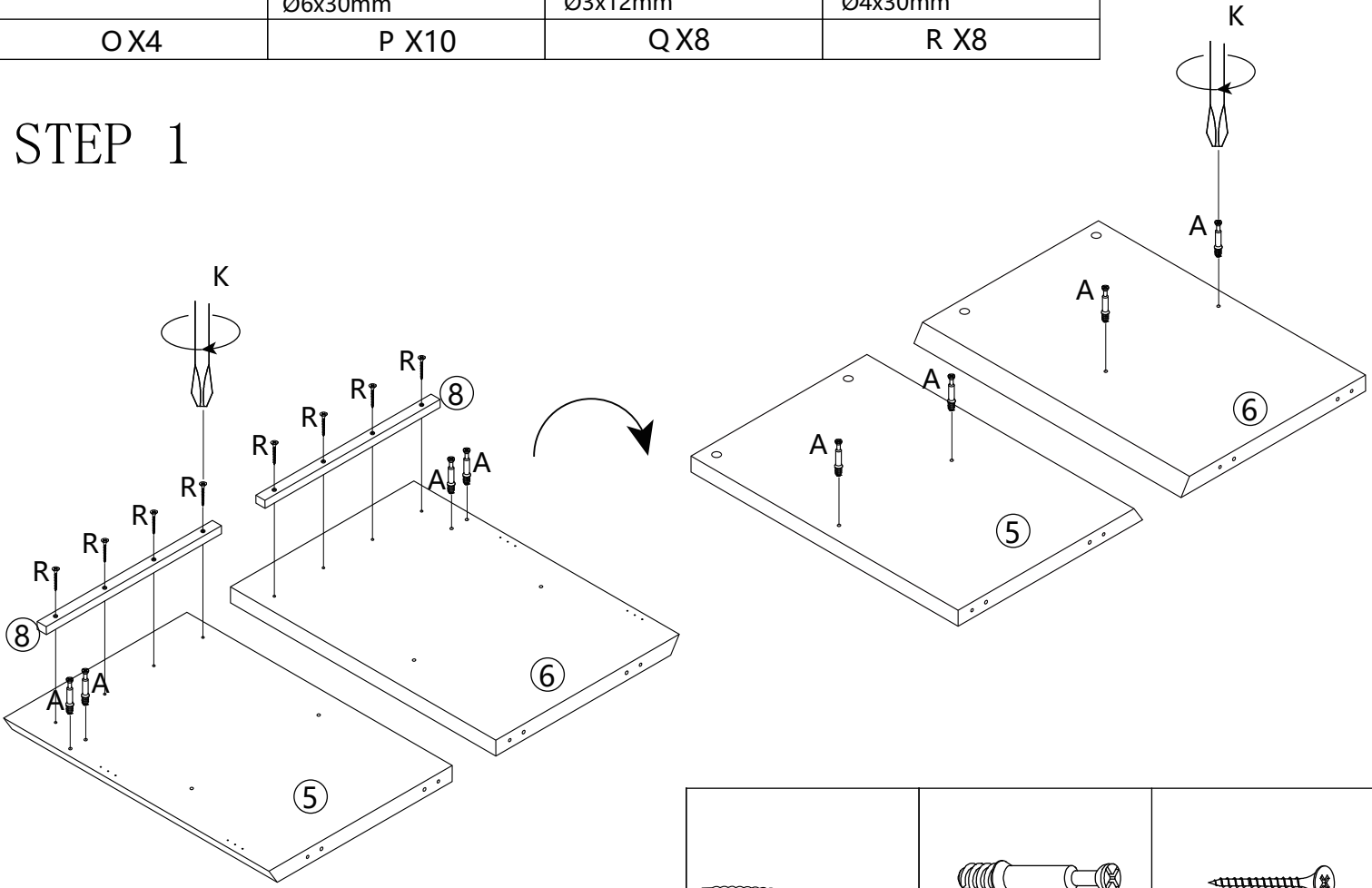



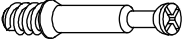
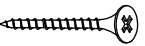
# WF317736



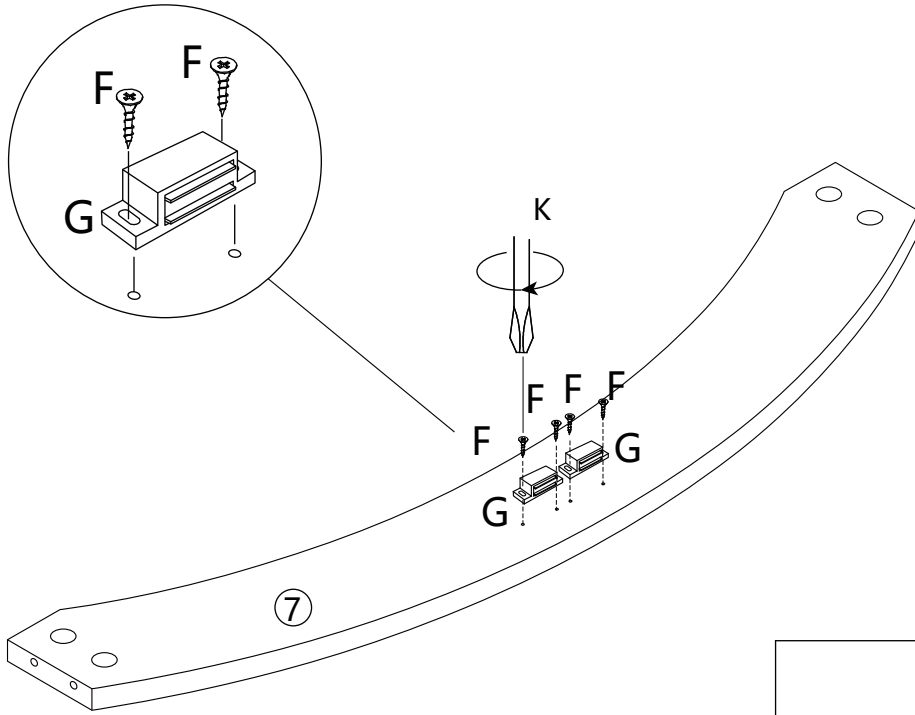
 Ø6x35mm	 Ø15x10mm	 Ø5x60mm	 Ø8x35mm	
<b>A X26</b>	<b>B X26</b>	<b>C X4</b>	<b>D X2</b>	<b>E X1</b>
 Ø3x14mm				
<b>F X64</b>	<b>G X4</b>	<b>H X4</b>	<b>I X8</b>	<b>J X8</b>
		 Ø4x30mm	 N1    N2    N3    N4    N5	
<b>K X1</b>	<b>L X6</b>	<b>M X6</b>	<b>N X1</b>	
	 Ø6x30mm	 Ø3x12mm	 Ø4x30mm	
<b>O X4</b>	<b>P X10</b>	<b>Q X8</b>	<b>R X8</b>	

# STEP 1



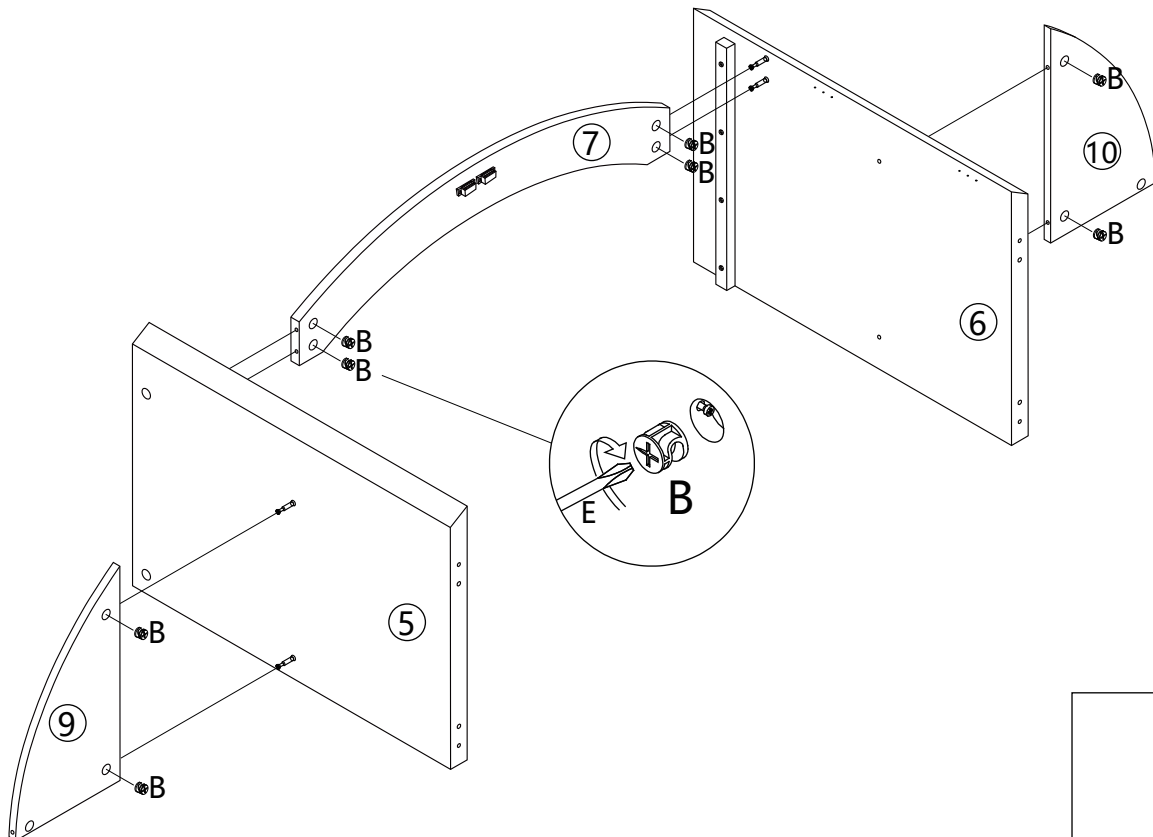
	 Ø6x35mm	 Ø4x30mm
<b>K X1</b>	<b>A X8</b>	<b>R X8</b>

# STEP 2



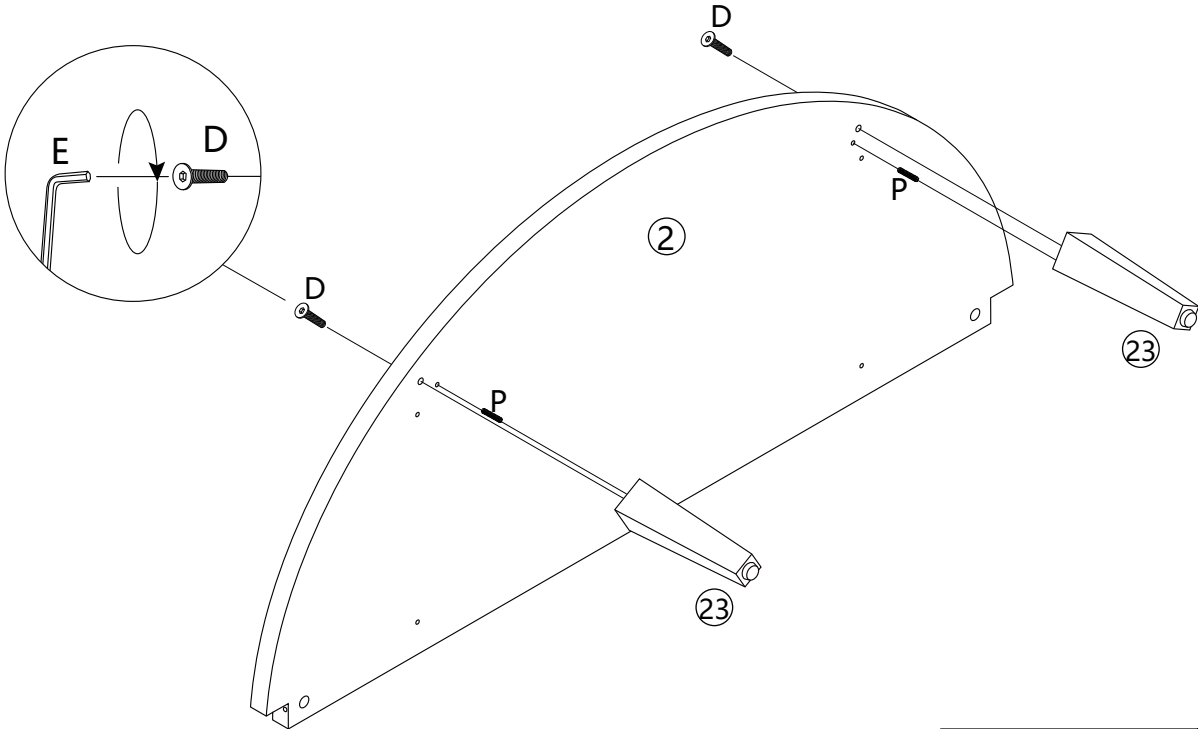
Ø3x14mm	
F X4	GX2

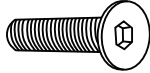

# STEP 3



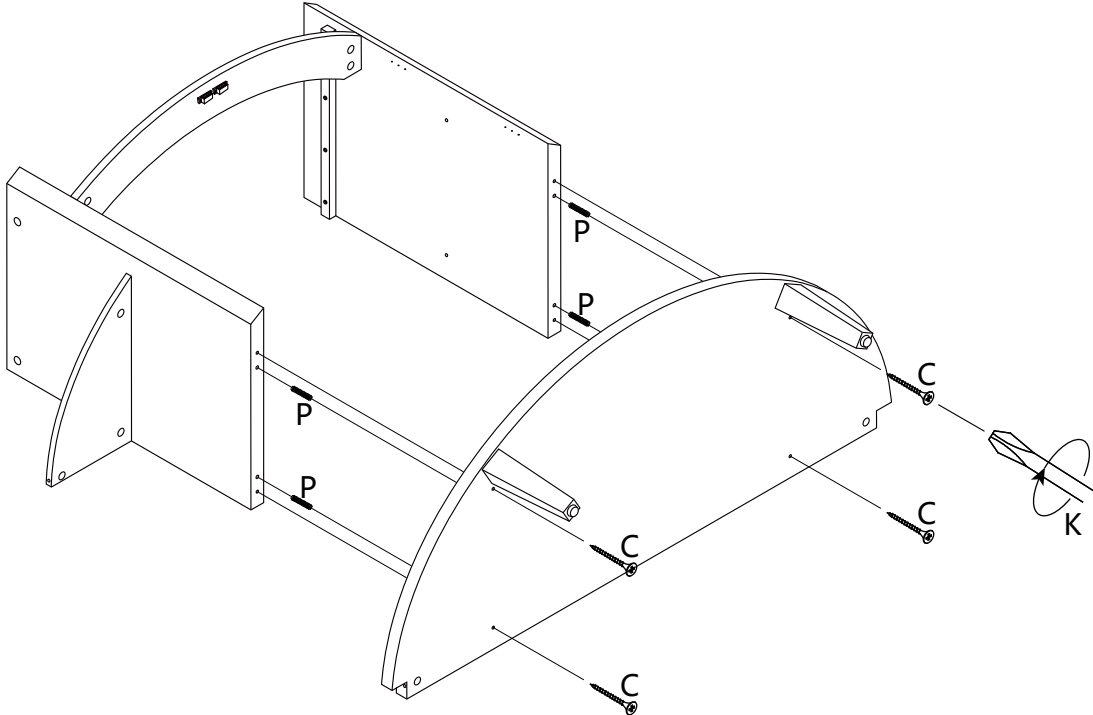
Ø15x10mm
BX8

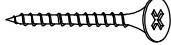

# STEP 4



	
Ø8x35mm	Ø6x30mm
DX2	P X2

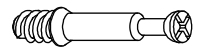
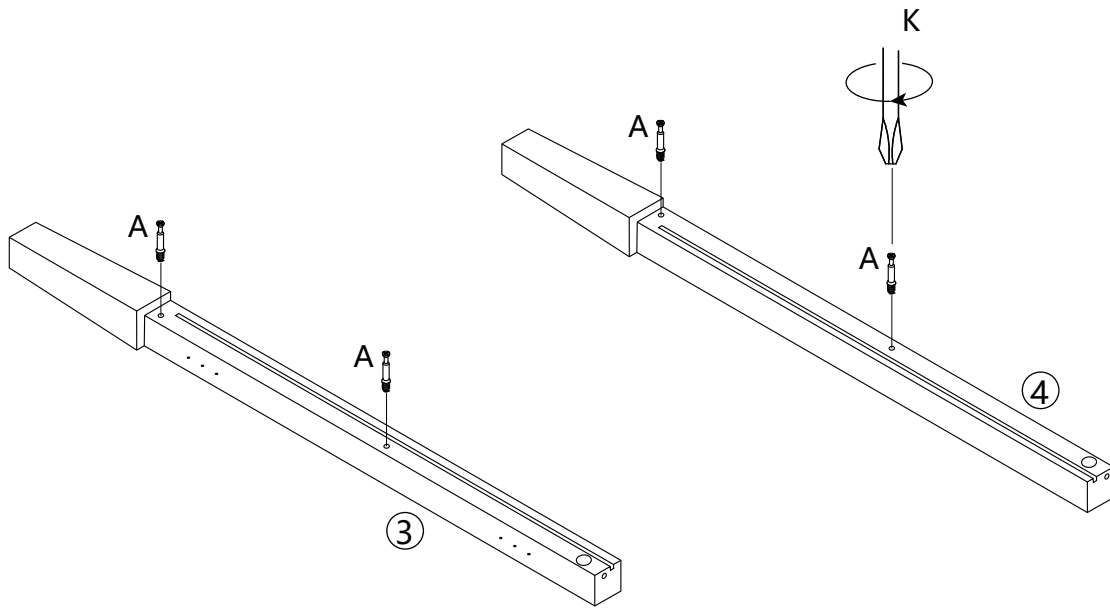
# STEP 5



	
Ø5x60mm	Ø6x30mm
C X4	P X4



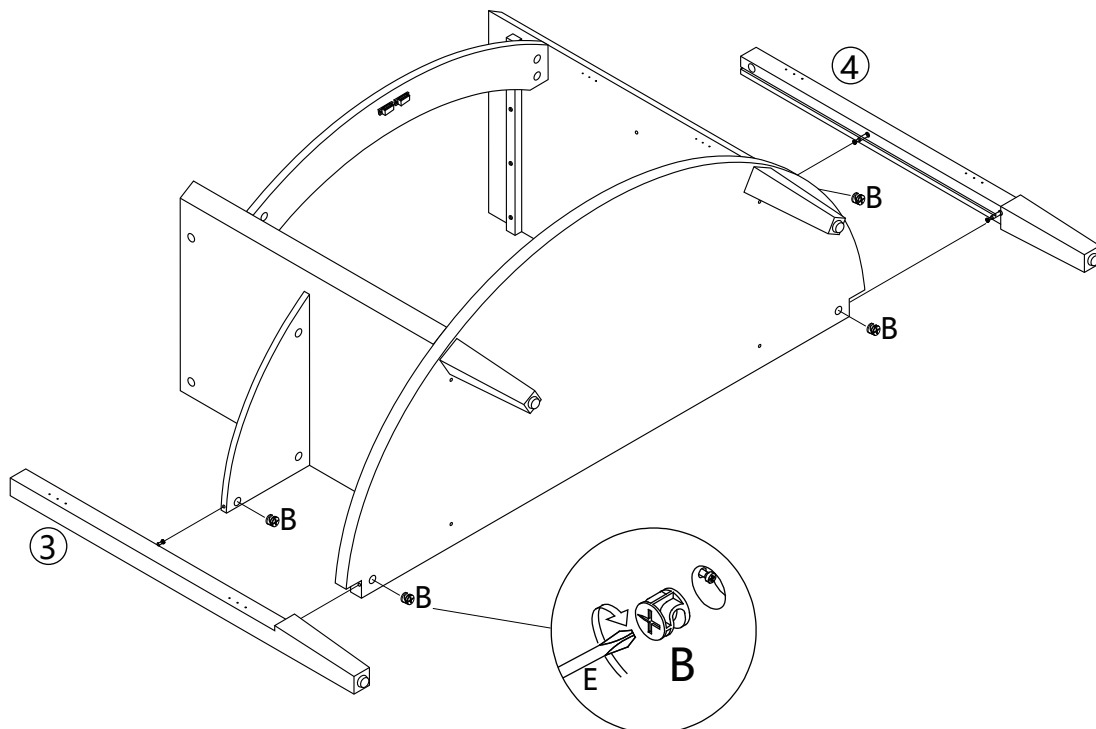
# STEP 6



Ø6x35mm

A X4

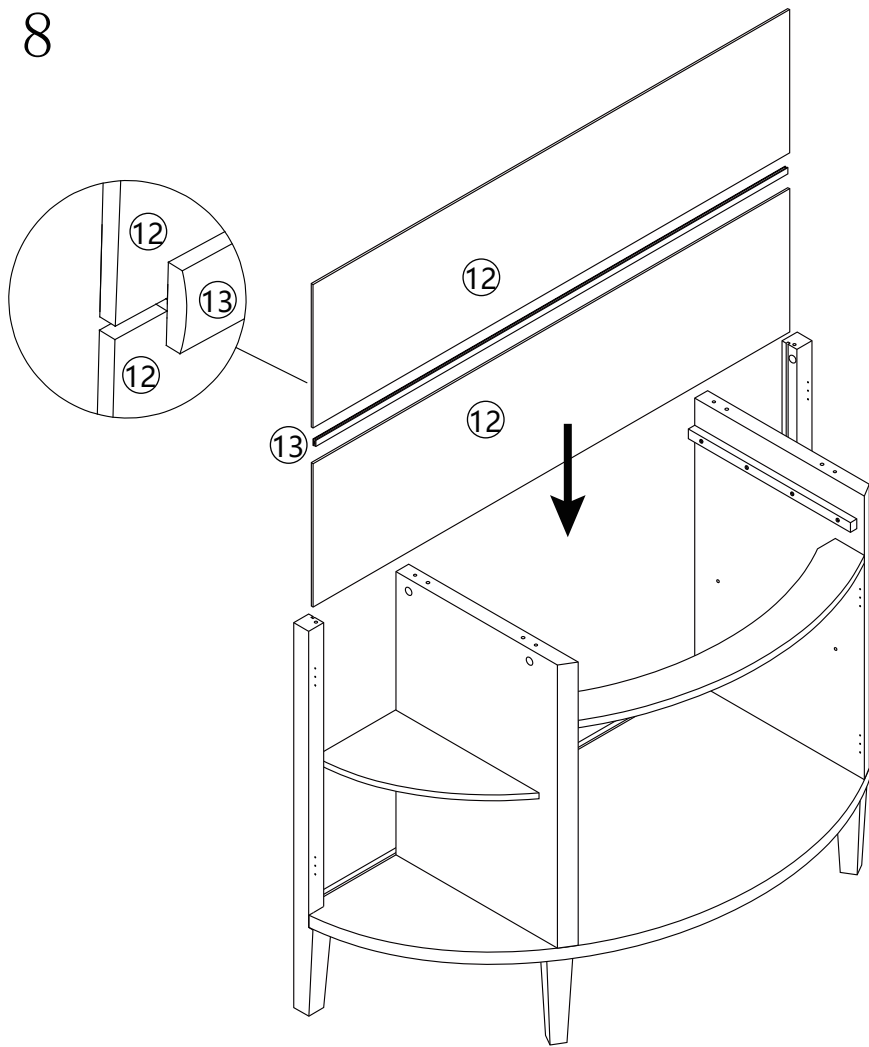
# STEP 7



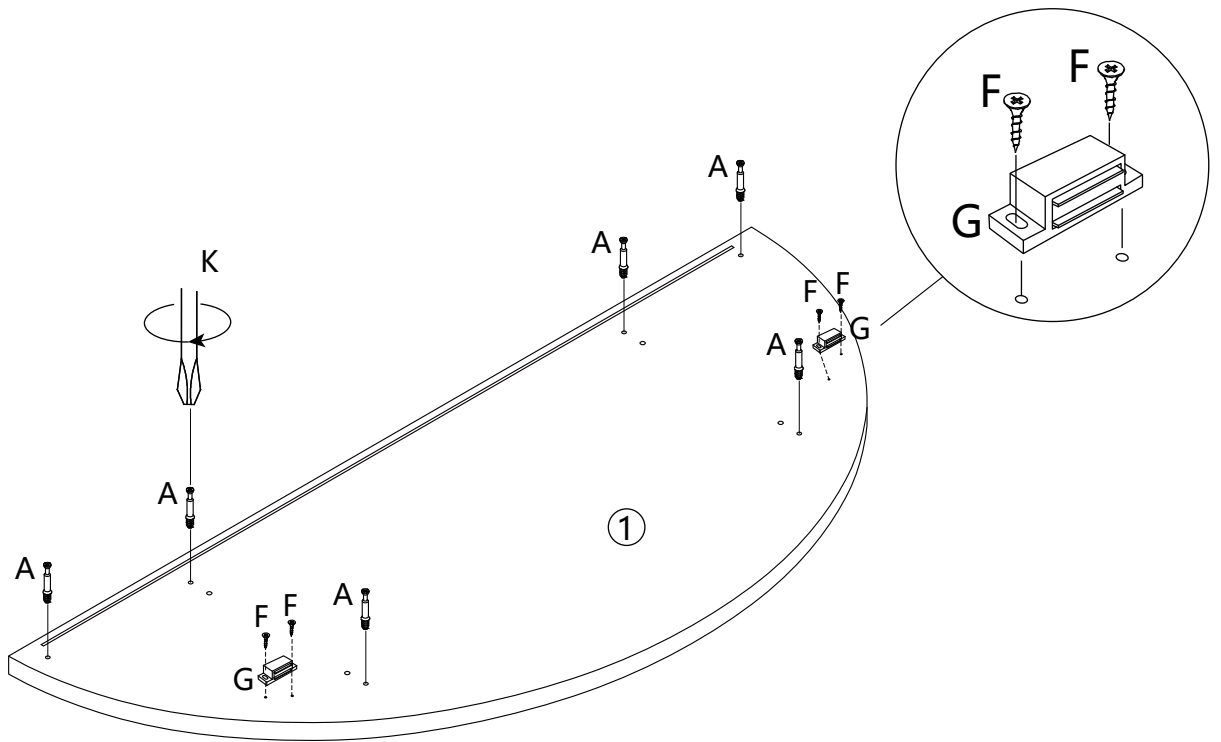
Ø15x10mm

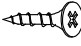
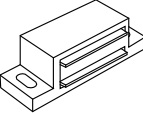
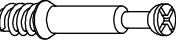
B X4

# STEP 8

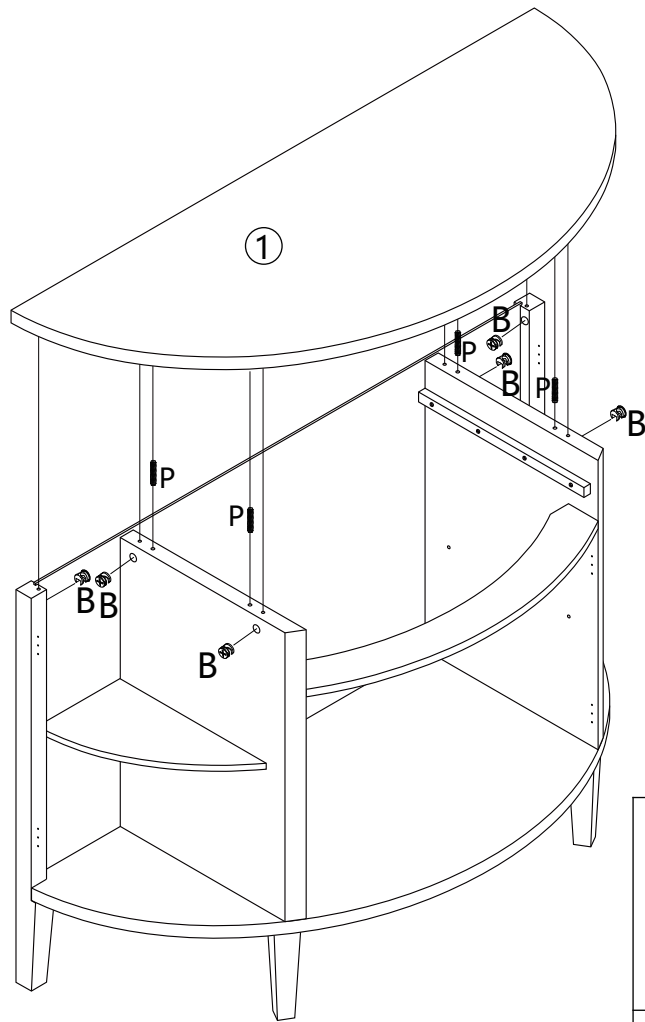




# STEP 9



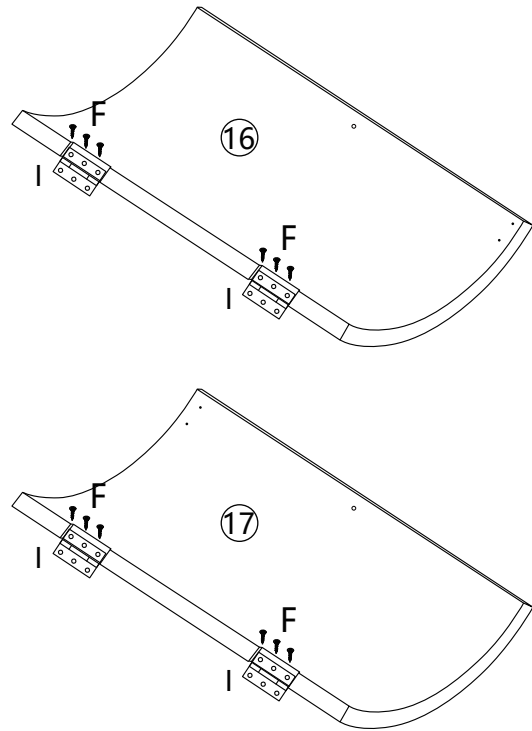
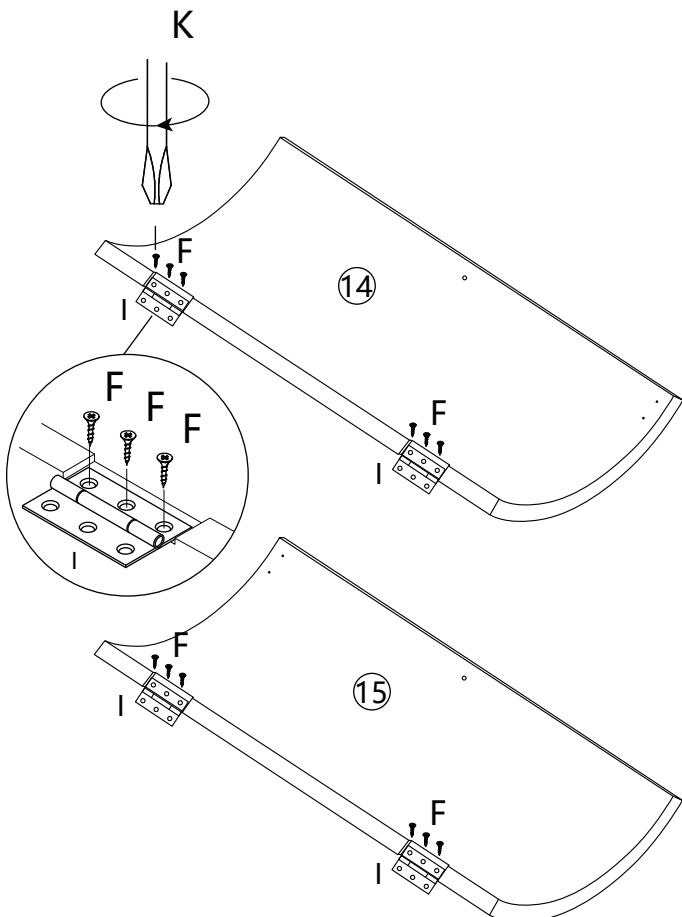
		
Ø3x14mm		Ø6x35mm
F X4	GX2	A X6


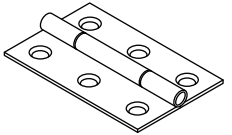
# STEP 10



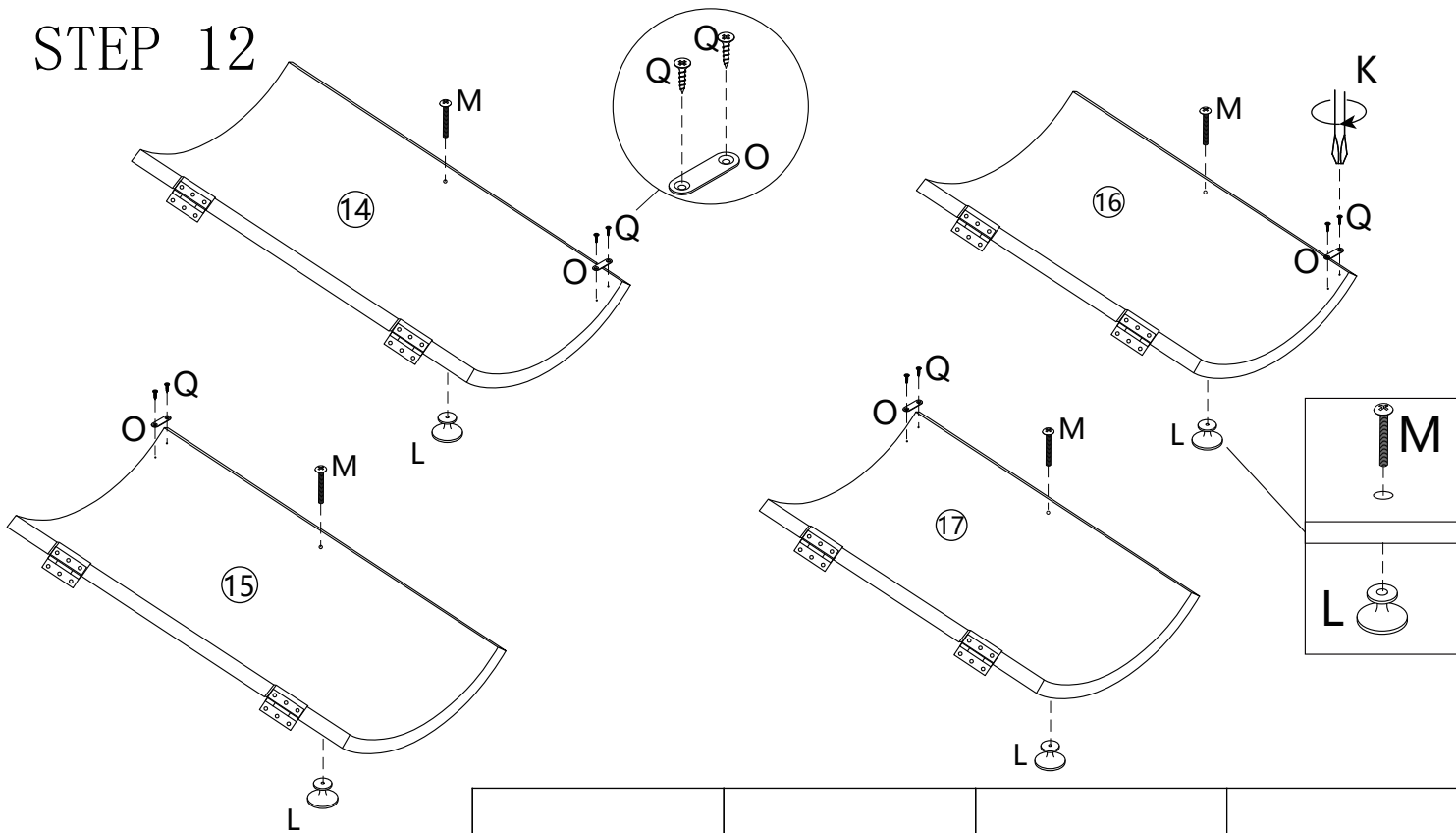
	
Ø6x30mm	Ø15x10mm
P X4	B X6

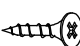
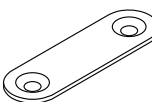
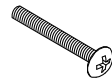
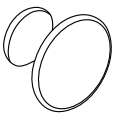
# STEP 11



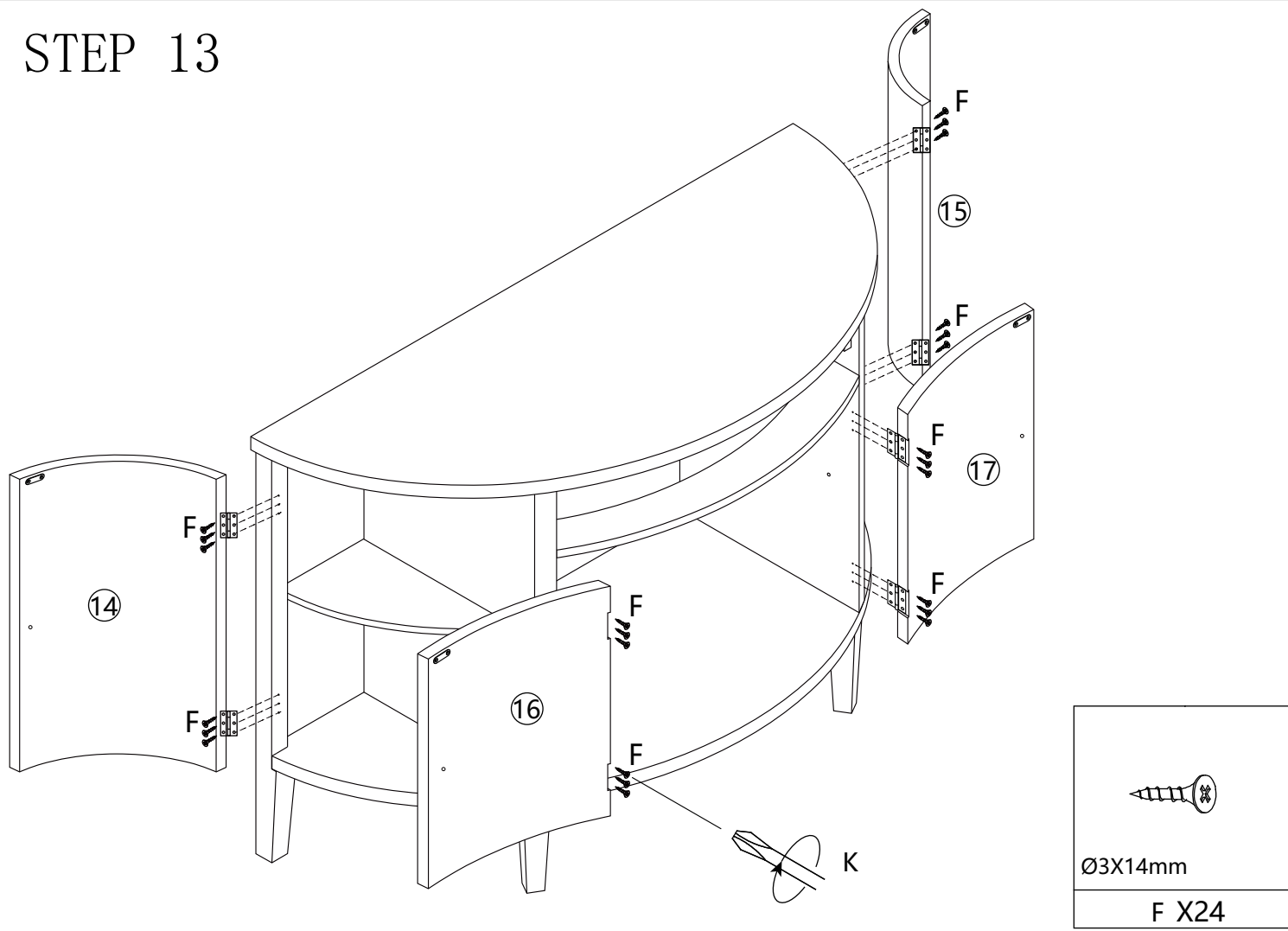
	
Ø3X14mm	
F X24	I X8


# STEP 12



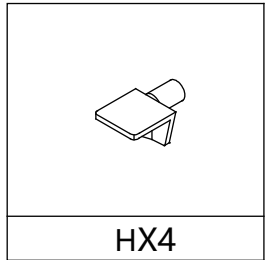
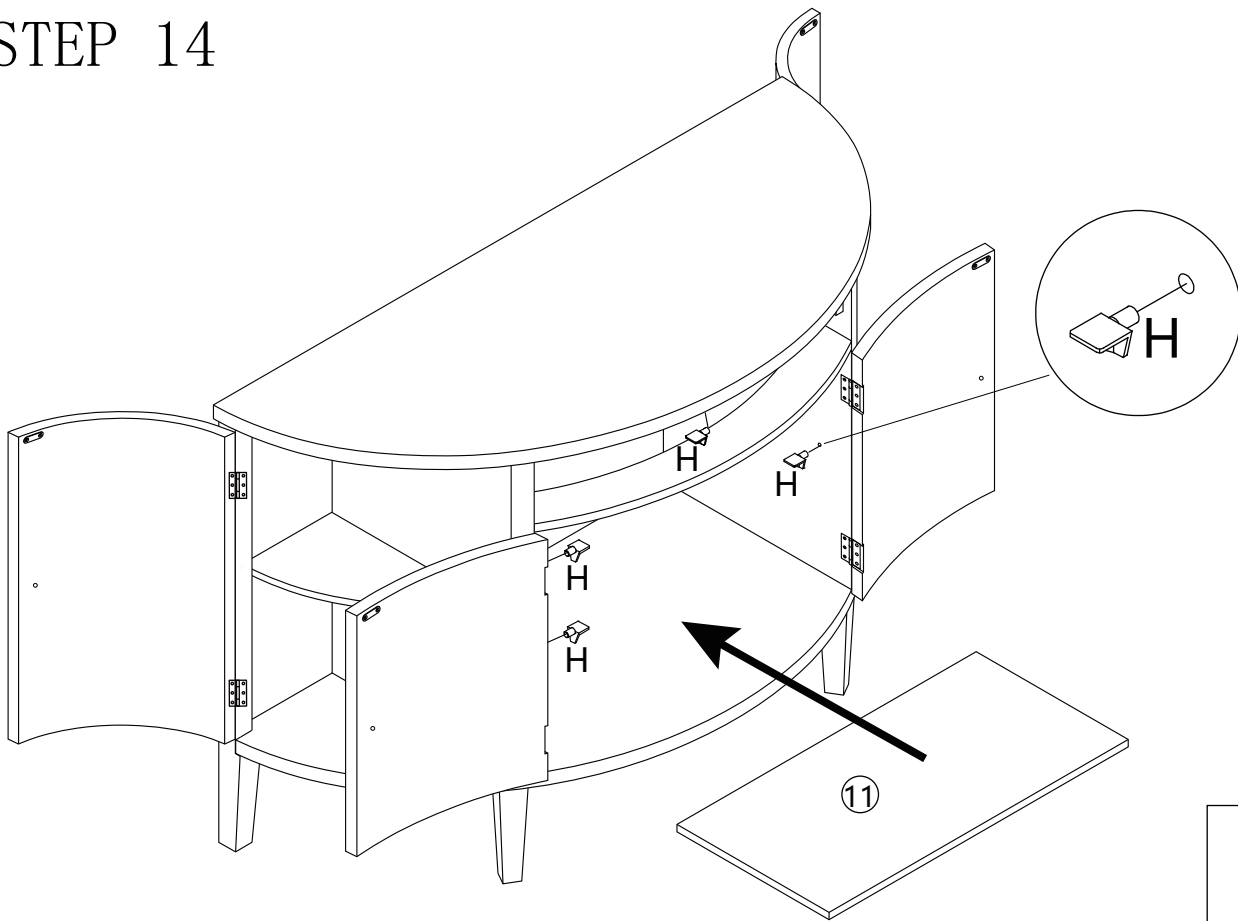
			
Ø3x12mm		Ø4x30mm	
Q X8	O X4	MX4	L X4

# STEP 13

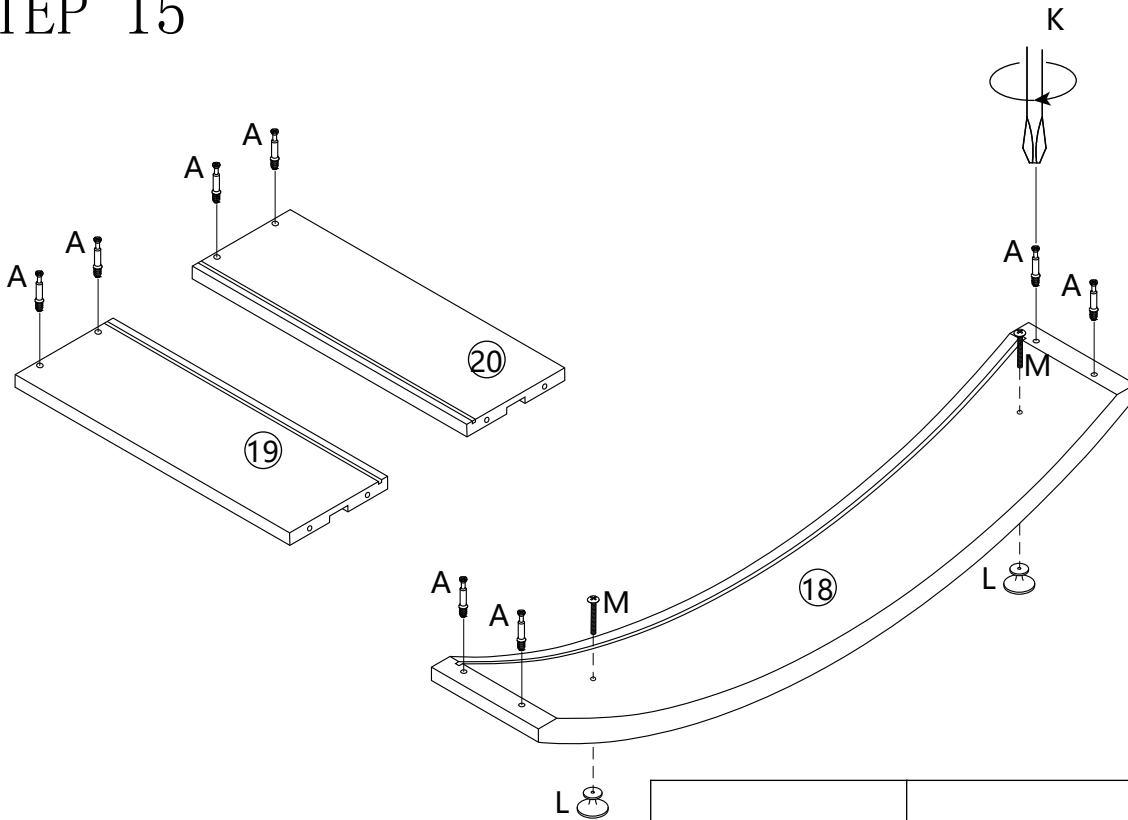


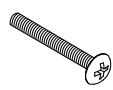

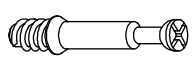

Ø3X14mm
F X24

# STEP 14

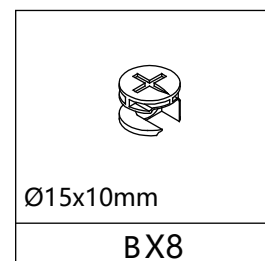
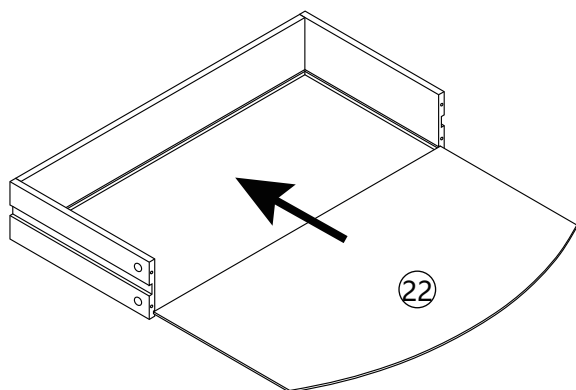
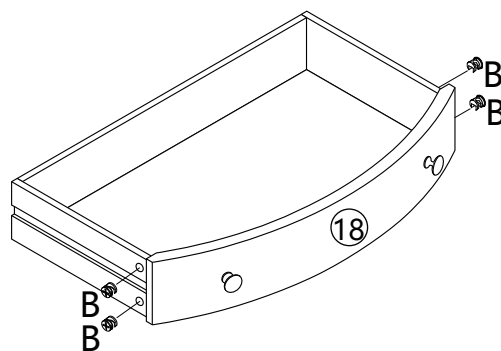
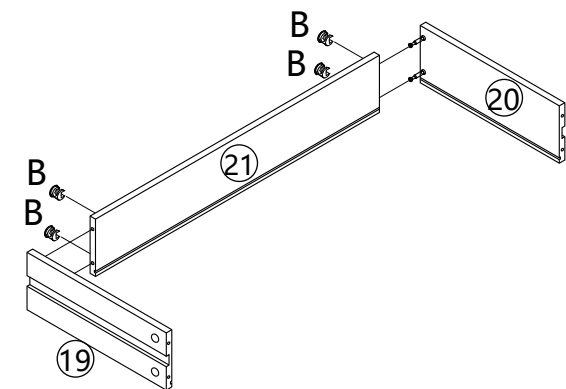


# STEP 15

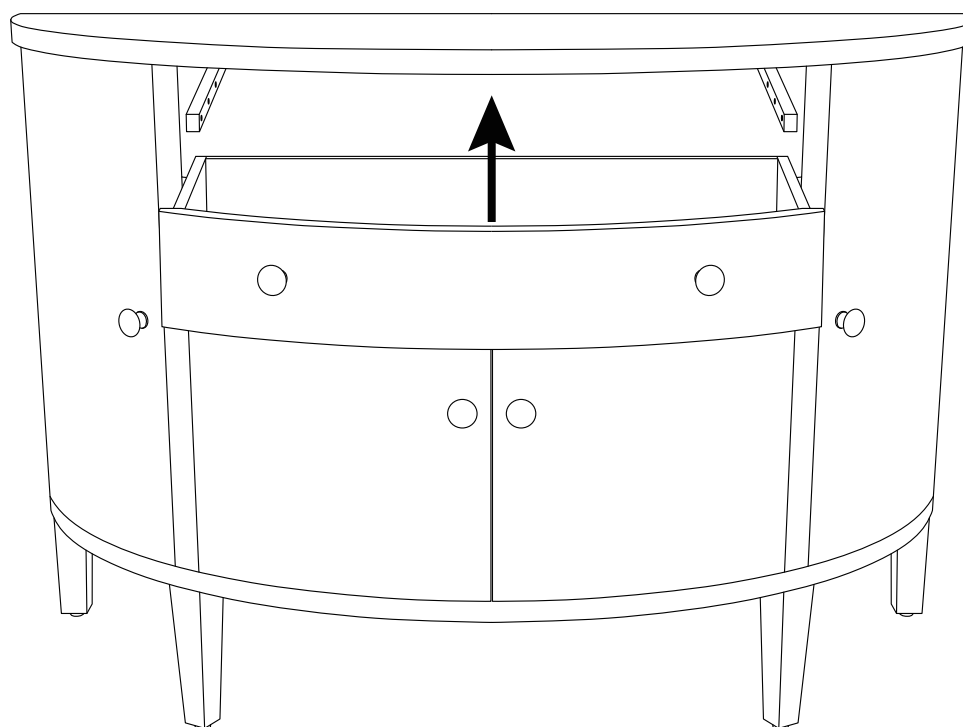


		
Ø4x30mm		Ø6x35mm
MX2	LX2	AX8

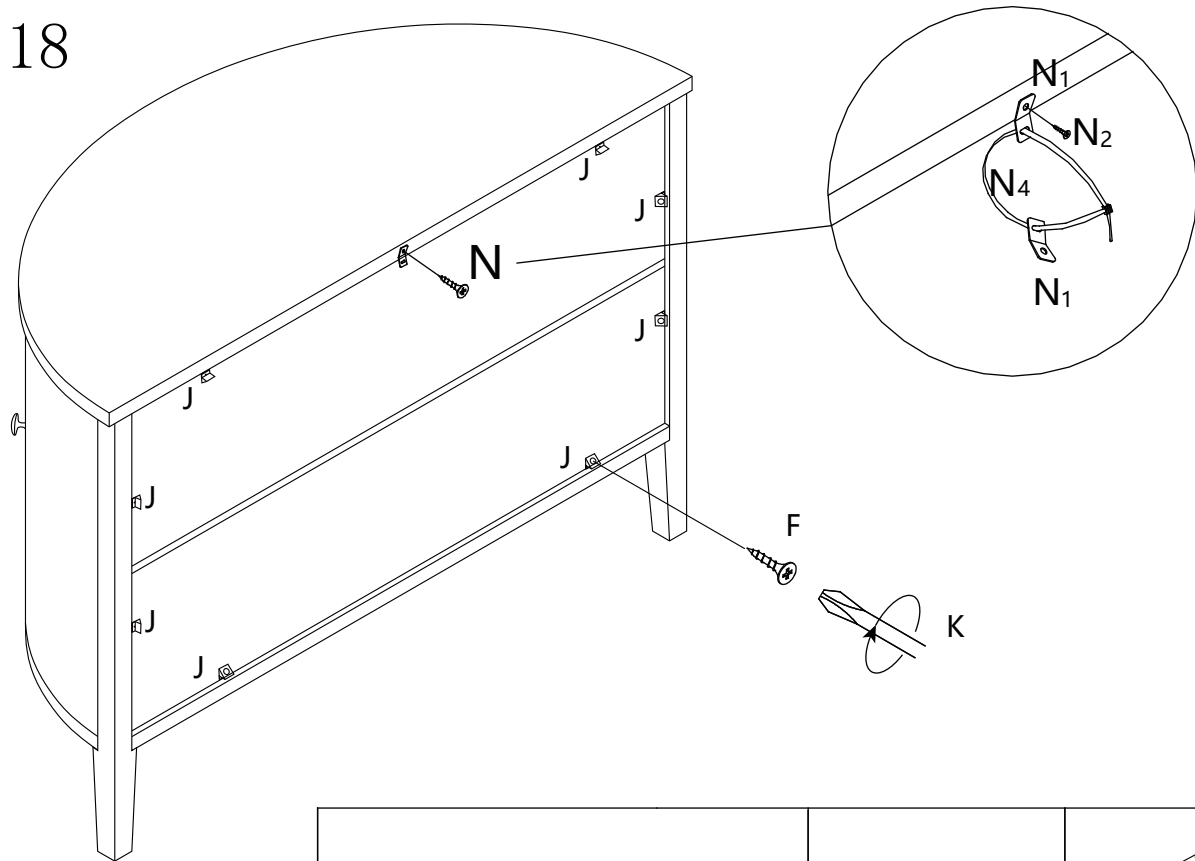
# STEP 16



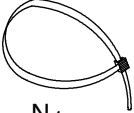
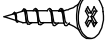
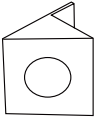


# STEP 17

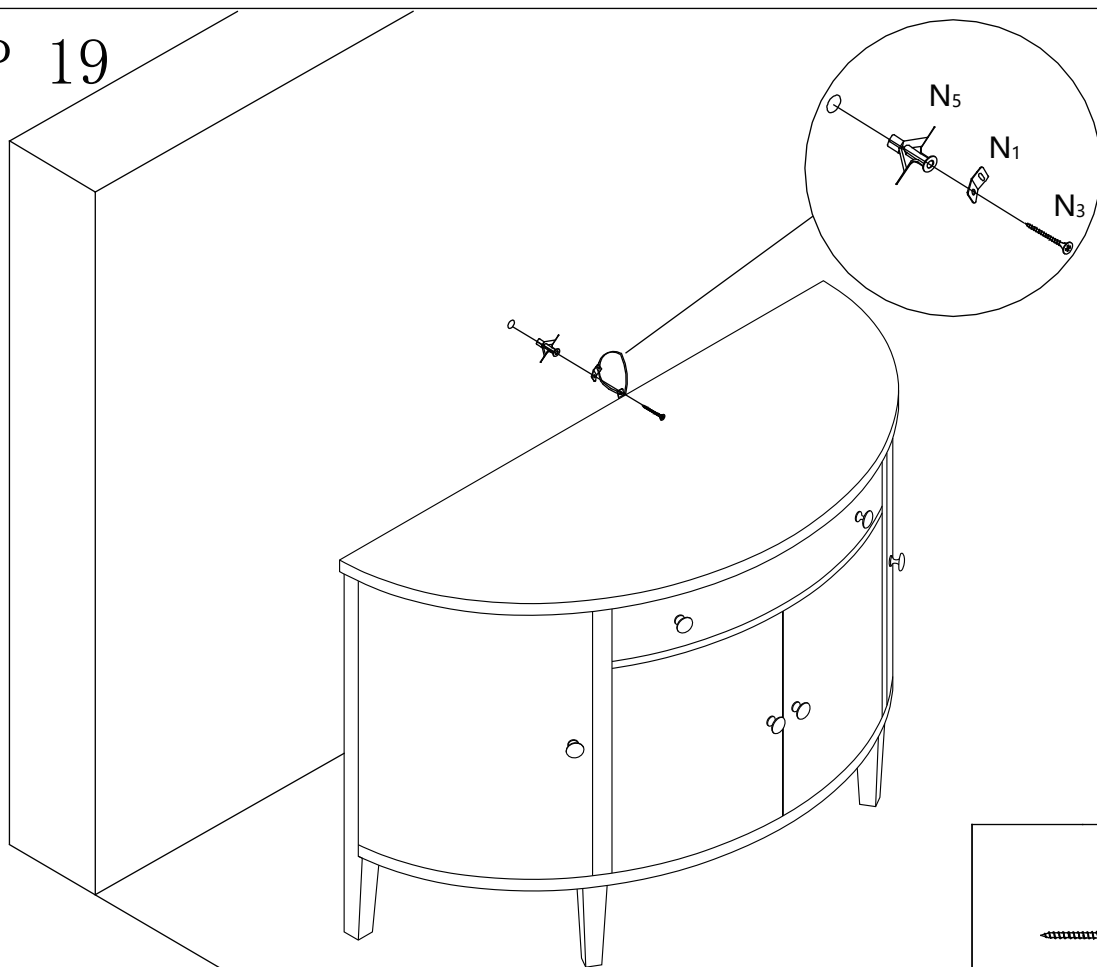


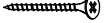
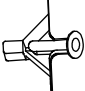
# STEP 18



 X2 N1	 N2	 N4	 Ø3X14mm	
NX1			F X8	J X8

# STEP 19



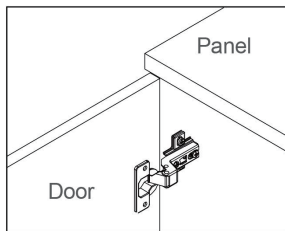
	
N3	N5
NX1	

# Assembly Steps(EN) / Montageschritte(DE)

HOW TO ADJUST THE HINGES TO ALIGN THE DOORS IF NEEDED.

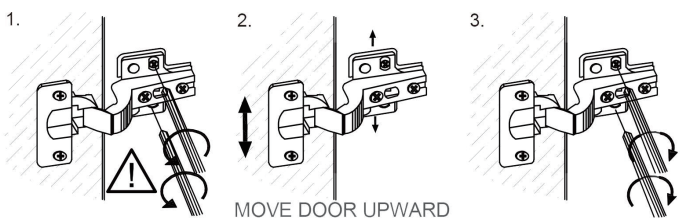
## STEP 1

Open the door.



## STEP 2

Adjust the door panels up or downward



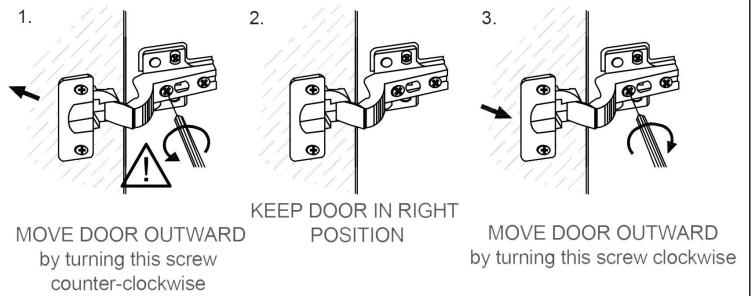
1. Unscrew 2 screws in round holes loosen 2 screws in oval holes a bit.

2. MOVE DOOR UPWARD OR DOWNWARD

3. Tighten 2 screws in oval holes. Screw in 2 screws in round holes

## STEP 3

Adjust the flush between door panel and side panel



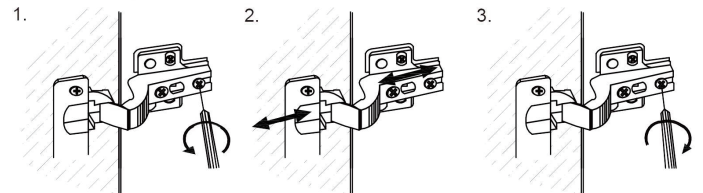
1. MOVE DOOR OUTWARD by turning this screw counter-clockwise

2. KEEP DOOR IN RIGHT POSITION

3. MOVE DOOR OUTWARD by turning this screw clockwise

## STEP 4

Adjust the Gap between door panel and side panel



1. Loosen this screw a bit.

2. MOVE DOOR BACK OR FORTH

3. Re-tighten this screw.