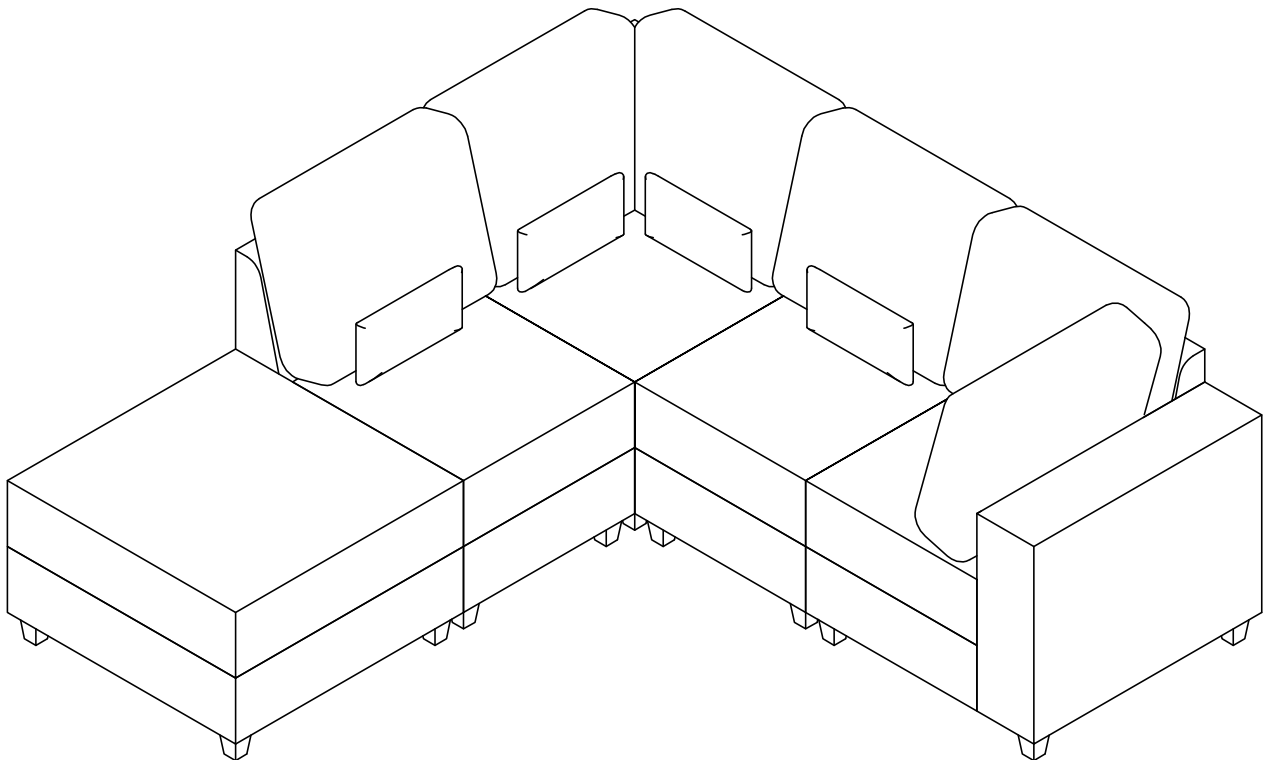


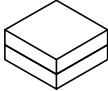



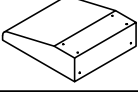
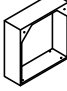
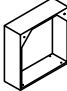
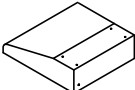
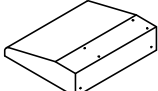
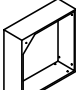
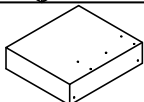
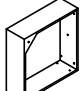

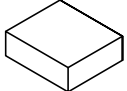
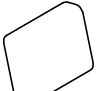


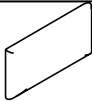


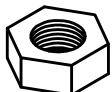
# ASSEMBLY INSTRUCTIONS

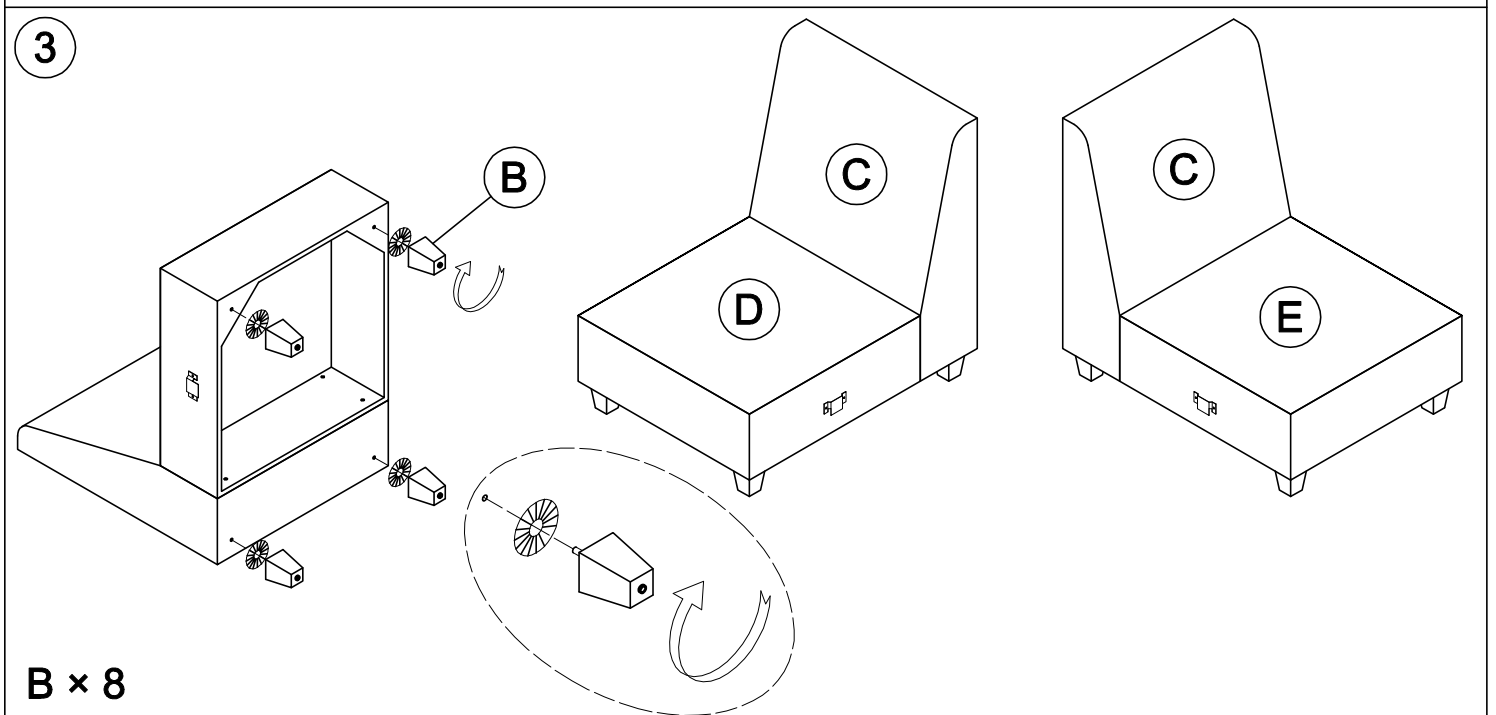
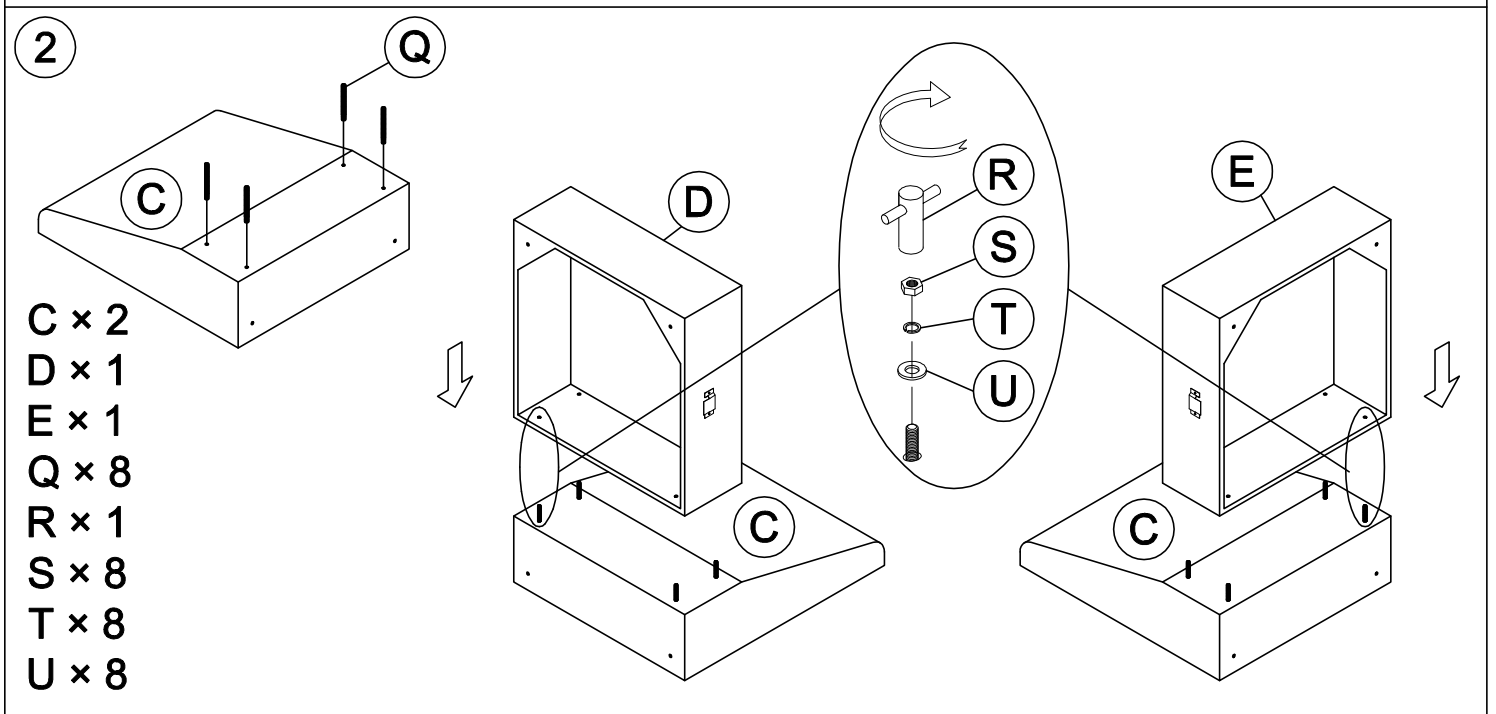
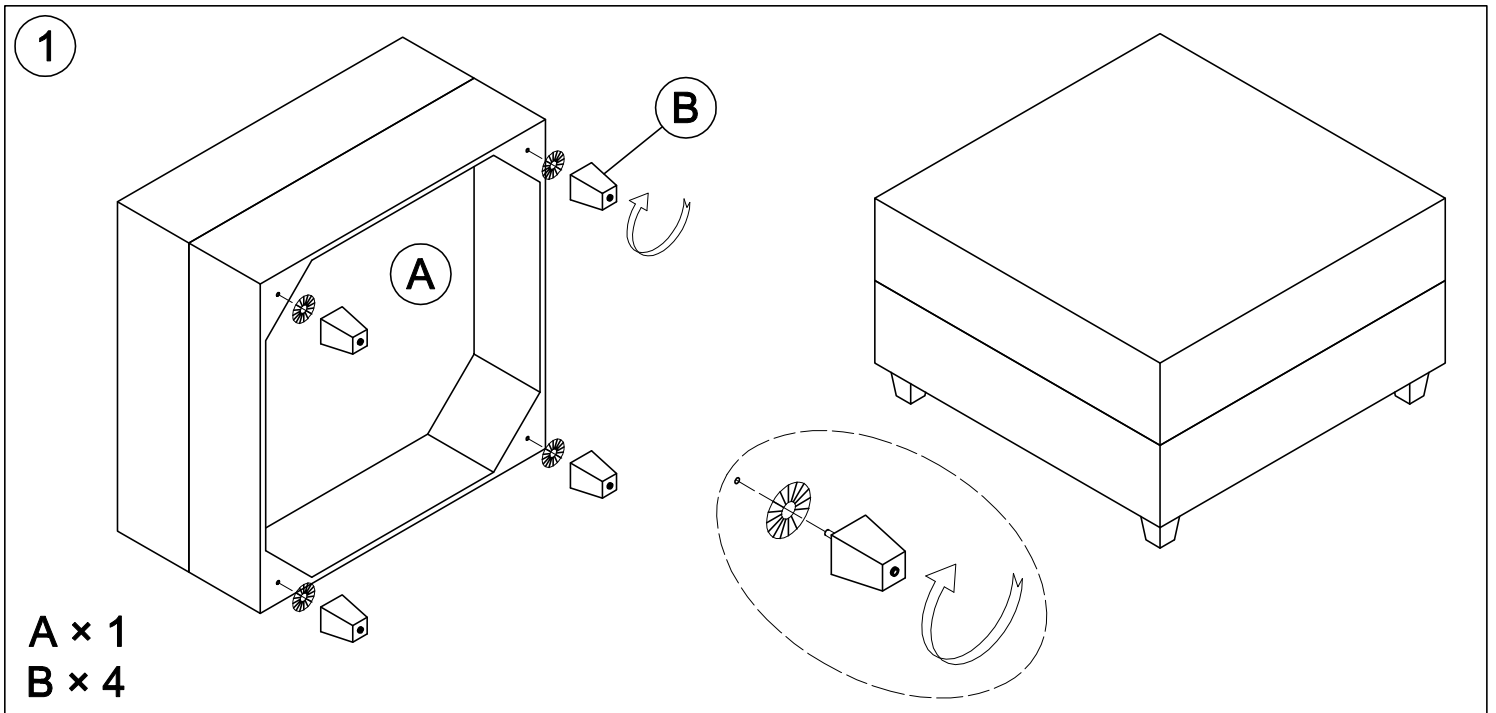
Compression must wait for 72 hours before it can be unfolded, and it needs to be flapped by hand



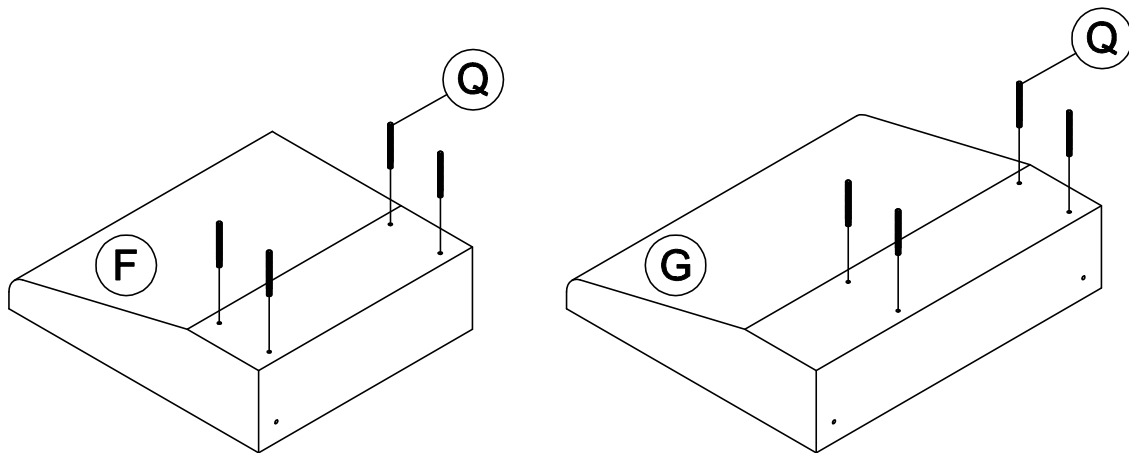
WF323216/WF323217/WF323218/WF323219/  
WF323220/WF323221/WF323222

PART LIST

A		1PC	T		25PCS
B		20PCS	U		25PCS
C		3PCS	WF323216 : C*1 J*1 L*1		
D		1PC			
E		1PC	WF323217 : C*1 D*1 L*1		
F		1PC			
G		1PC			
H		1PC	WF323218 : C*1 E*1 L*1		
I		1PC			
J		1PC			
K		1PC	WF323220 : H*1 K*1 M*1 P*2		
L		3PCS			
M		3PCS	WF323221 : B*12 M*2 O*1 P*2 Q*25 R*1 S*25 T*25 U*25		
N		2PCS			
O		1PC			
P		4PCS	WF323222 : A*1 B*4 N*2		
Q		25PCS			
R		1PC			
S		25PCS			

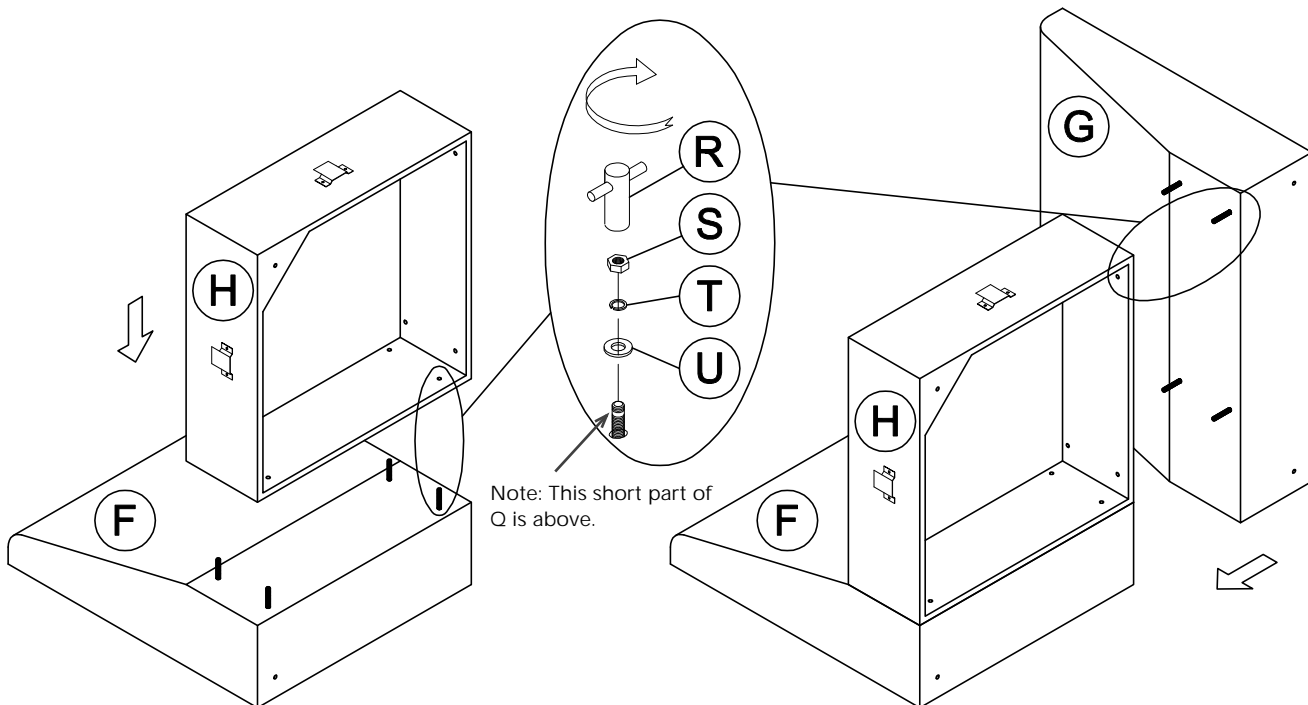


4



F × 1  
 G × 1  
 Q × 8

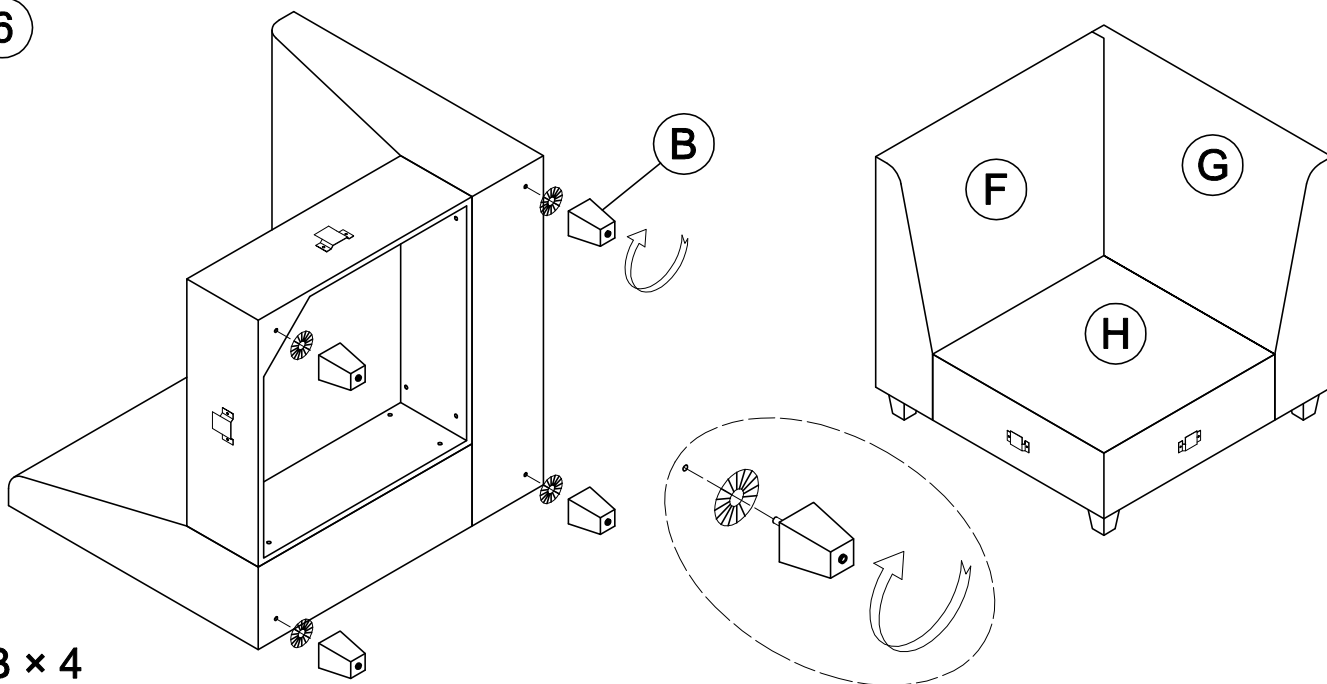
5



H × 1  
 R × 1  
 S × 8  
 T × 8  
 U × 8

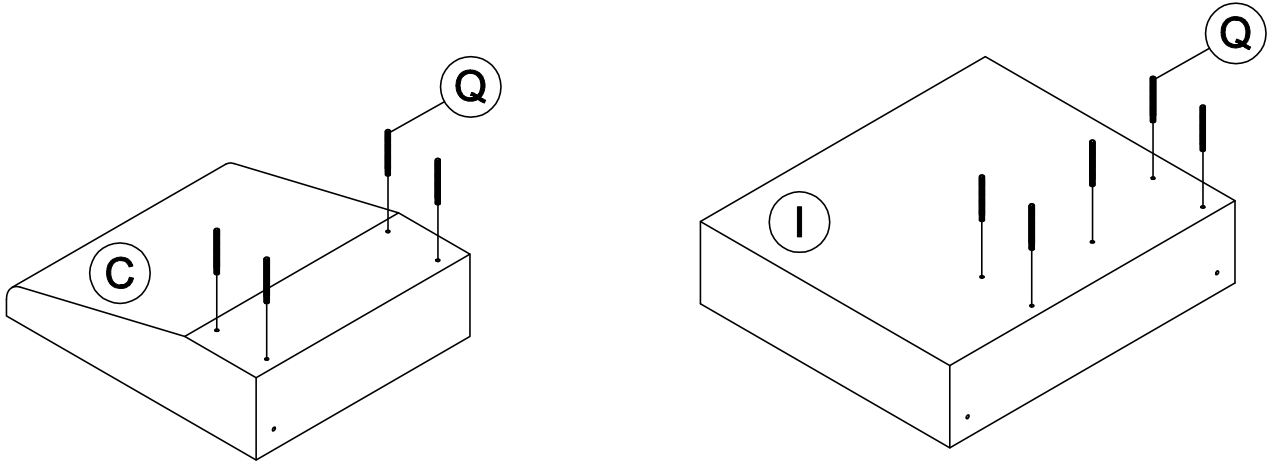
Note: This short part of Q is above.

6



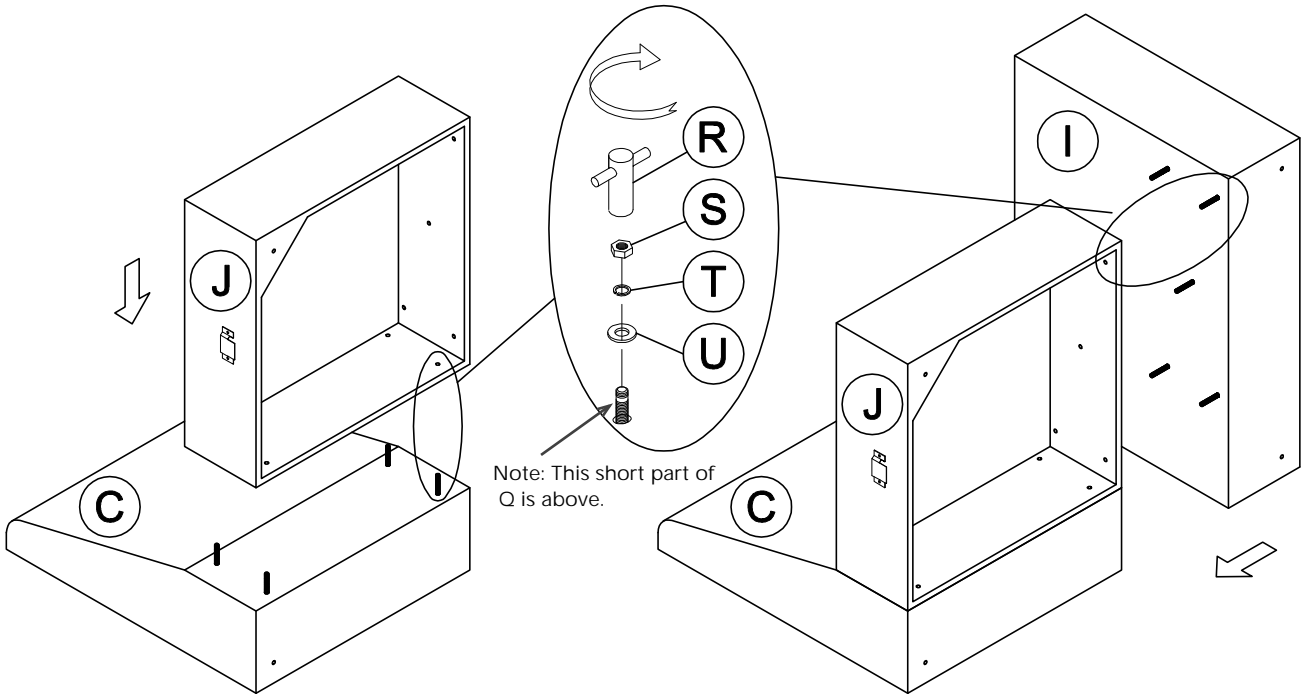
B × 4

7



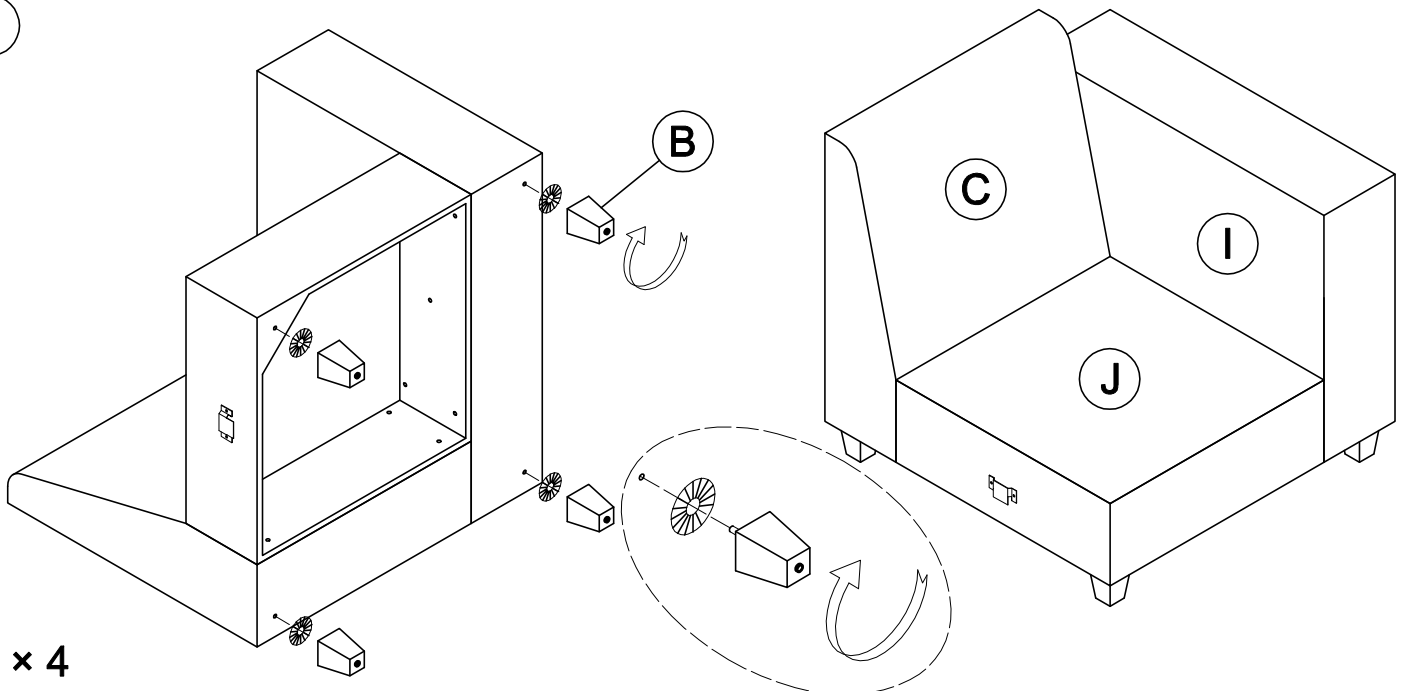
C × 1  
 I × 1  
 Q × 9

8



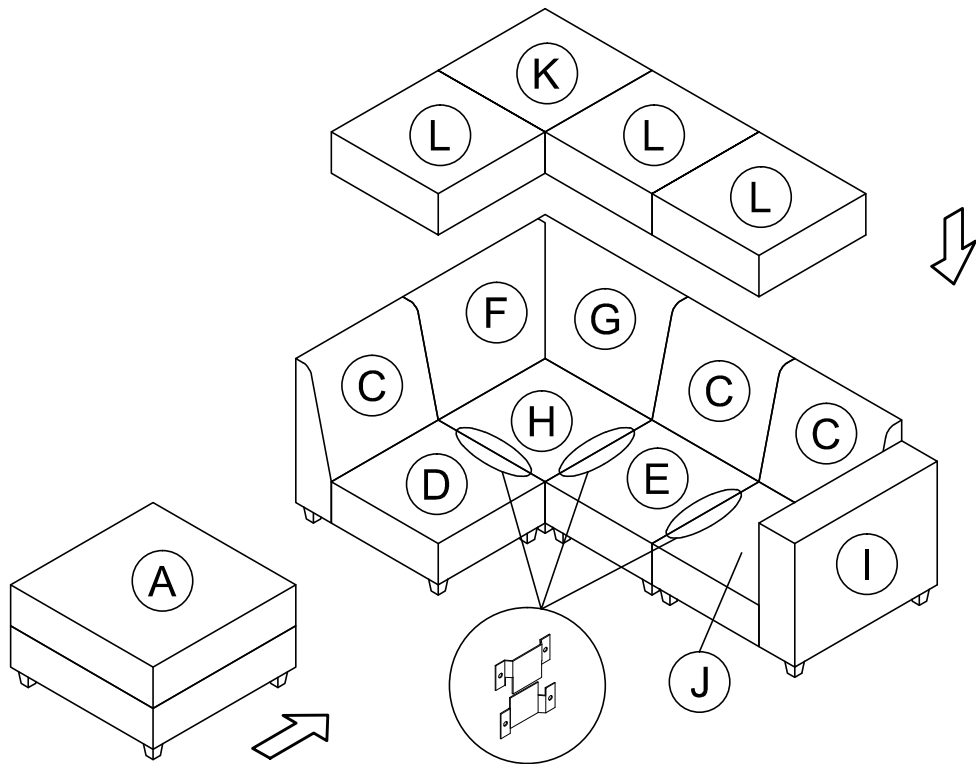
J × 1  
 R × 1  
 S × 9  
 T × 9  
 U × 9

9



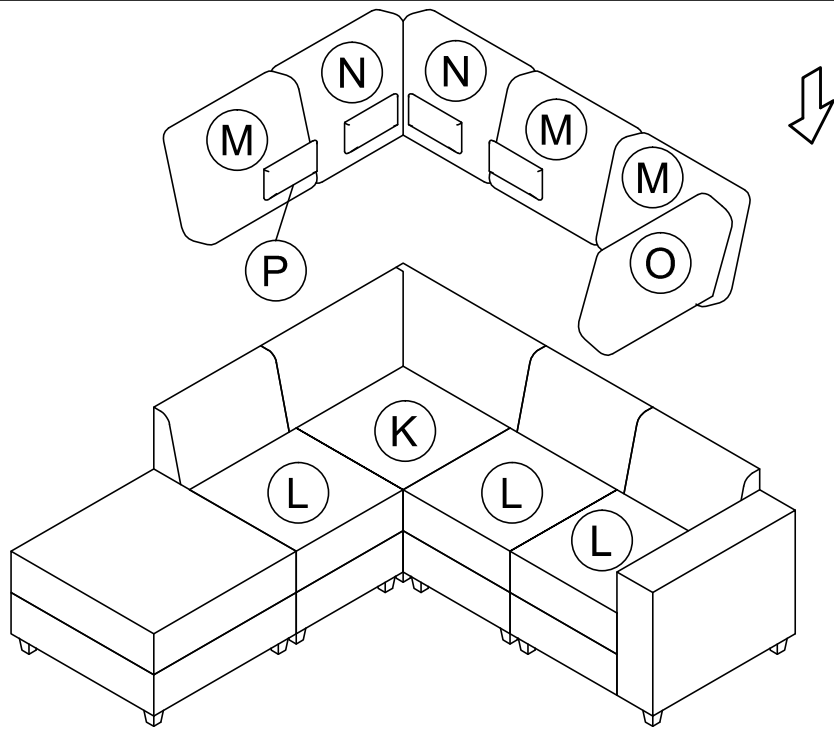
B × 4

10



**K x 1**  
**L x 3**

11



**N x 2**  
**M x 3**  
**P x 4**

12

