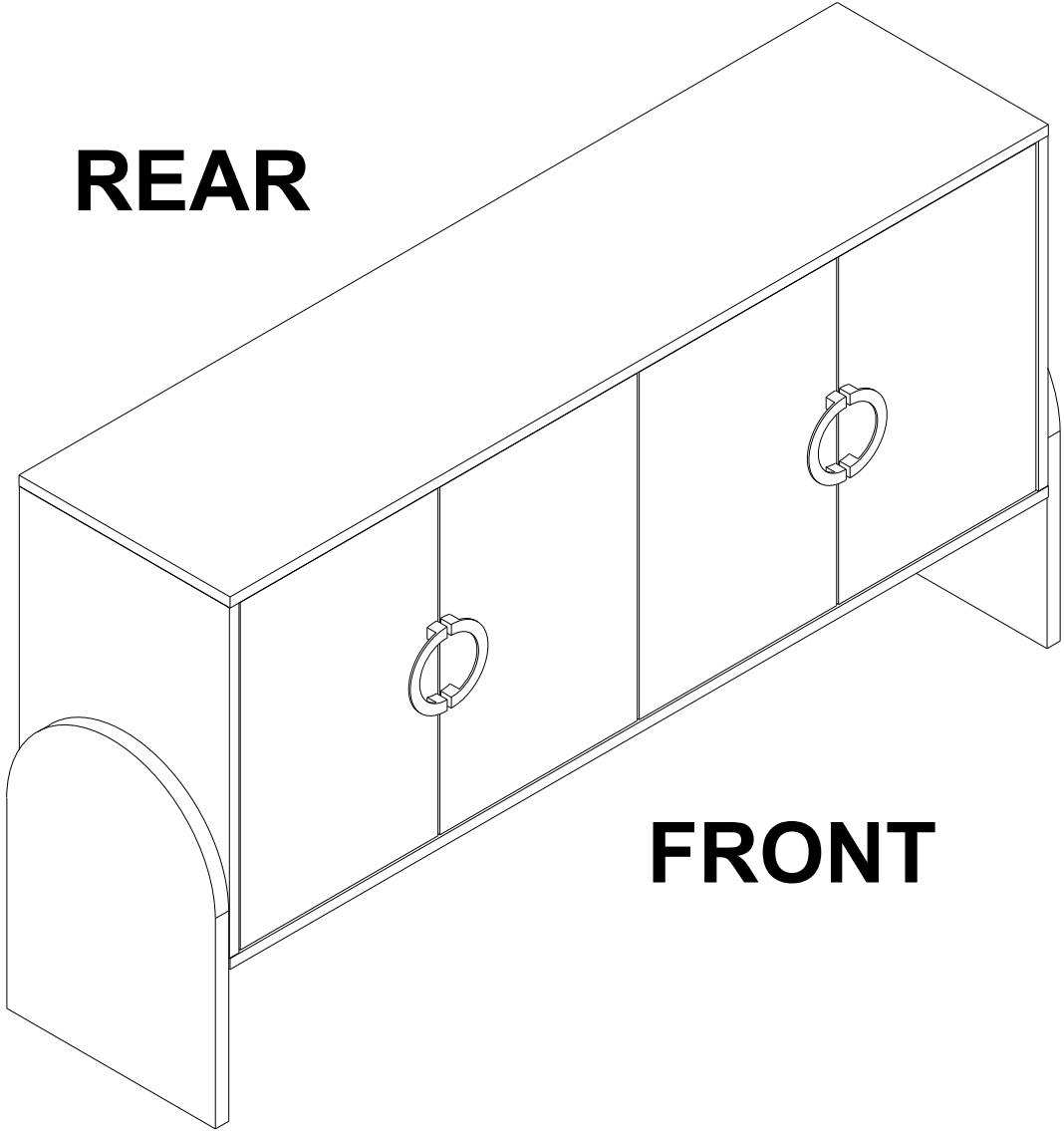


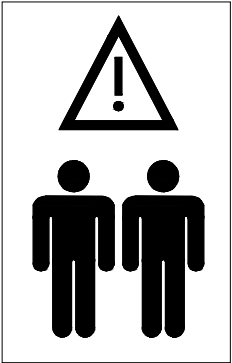
**ASSEMBLY INSTRUCTION**

**WF317432**

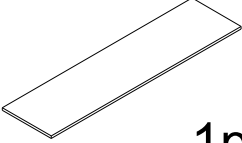
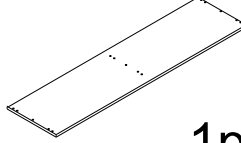
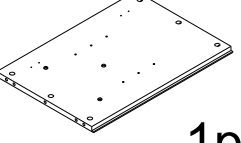
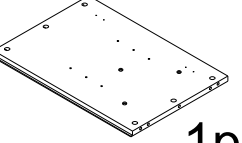
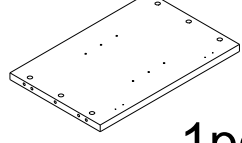
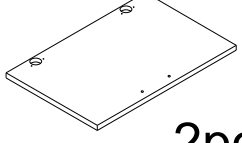
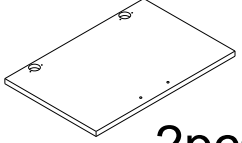
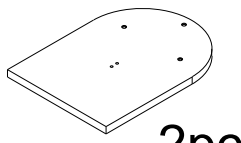
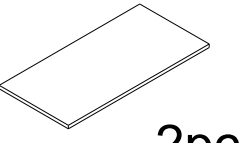
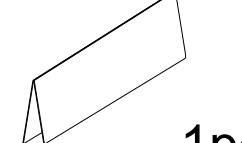
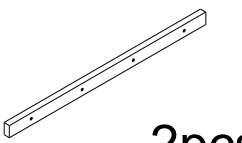
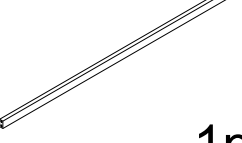
**REAR**




**FRONT**



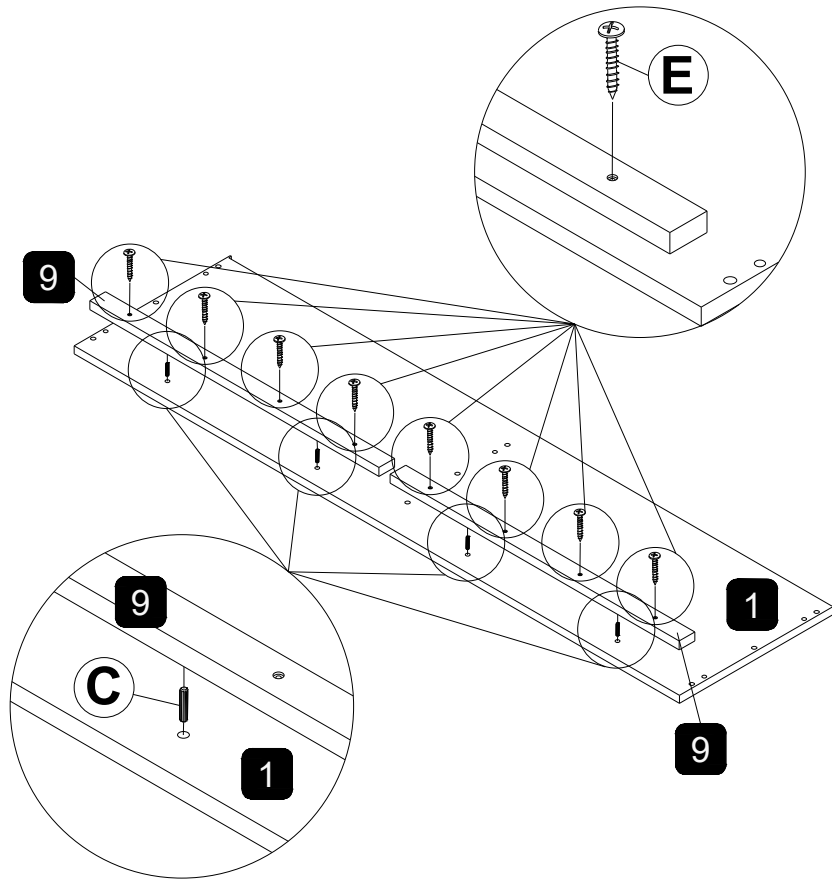
# PART LIST

<b>1</b> Top Panel  1pc	<b>2</b> Bottom Panel  1pc	<b>3-L</b> Side Panel (Left)  1pc	<b>3-R</b> Side Panel (Right)  1pc	<b>4</b> Division Panel  1pc	<b>5-A</b> Door  2pcs
<b>5-B</b> Door  2pcs	<b>6</b> Leg  2pcs	<b>7</b> Shelf Panel  2pcs	<b>8</b> Back Panel  1pc	<b>9</b> Support Rail  2pcs	<b>10</b> Bottom Rail  1pc

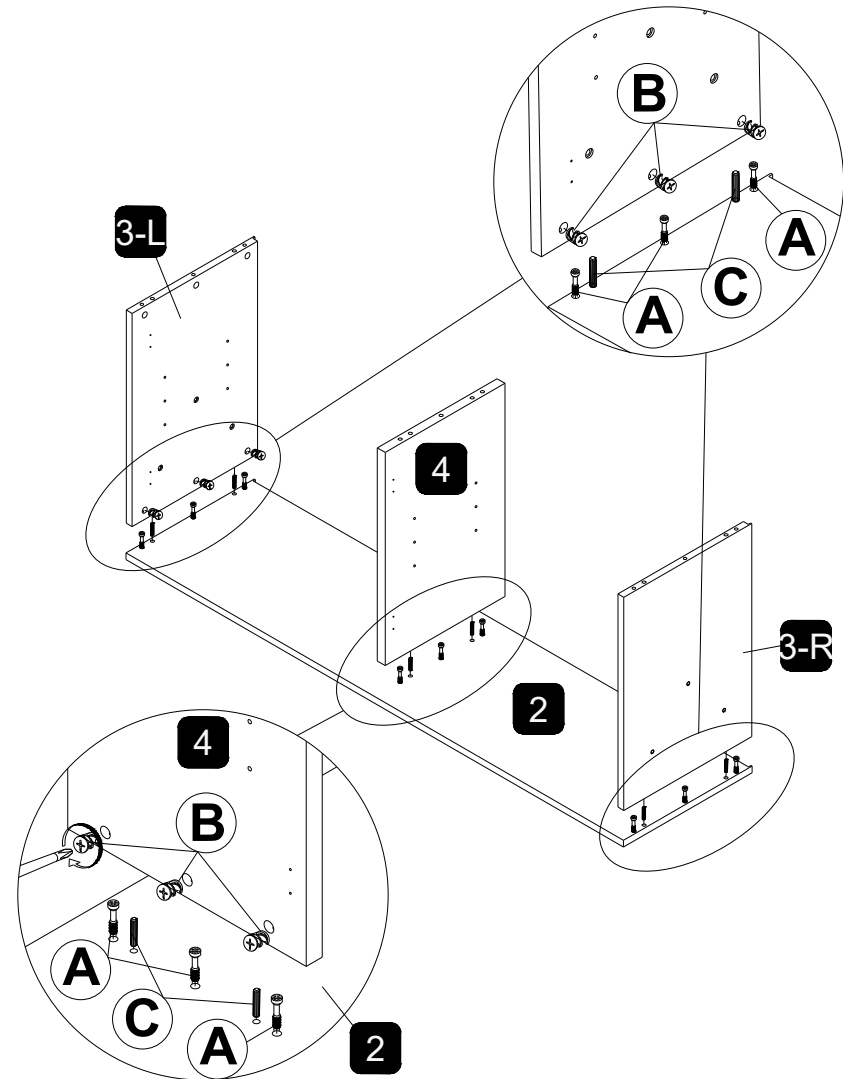
# HARDWARE LIST


<b>A</b> MINI FIX SPREADING BOLT 24MM  18pcs	<b>B</b> MINIFIX HOUSING Ø15*12MM  18pcs	<b>C</b> WOOD DOWEL M8*30MM  20pcs	<b>D</b> JCBC M6*30MM  6pcs	<b>E</b> SCREW M4*30MM  8pcs	<b>F</b> SCREW M3.5*16MM  48pcs
<b>G</b> PAN HEAD M3.5*16MM  20pcs	<b>H</b> SHELF SUPPORT  8pcs	<b>I</b> ALLEN KEY M4  1pc	<b>J</b> HINGES  4pcs	<b>K</b> HINGES  4pcs	<b>L</b> HANDLE  4sets

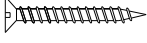
# STEP 1




# STEP 2




  
C X 4pcs

  
E X 8pcs

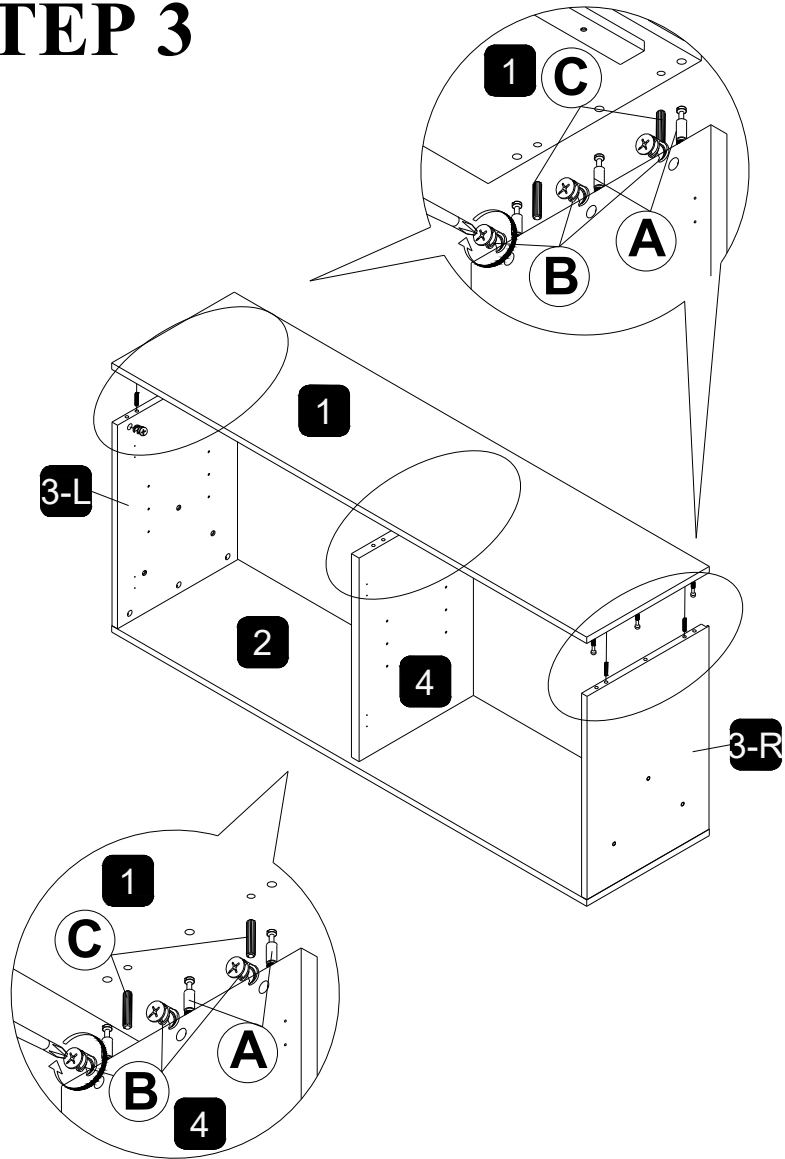
  
A X 9pcs

  
B X 9pcs

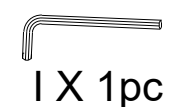
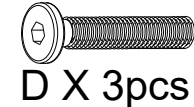
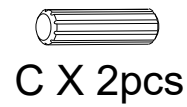
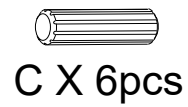
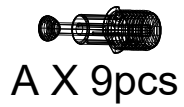
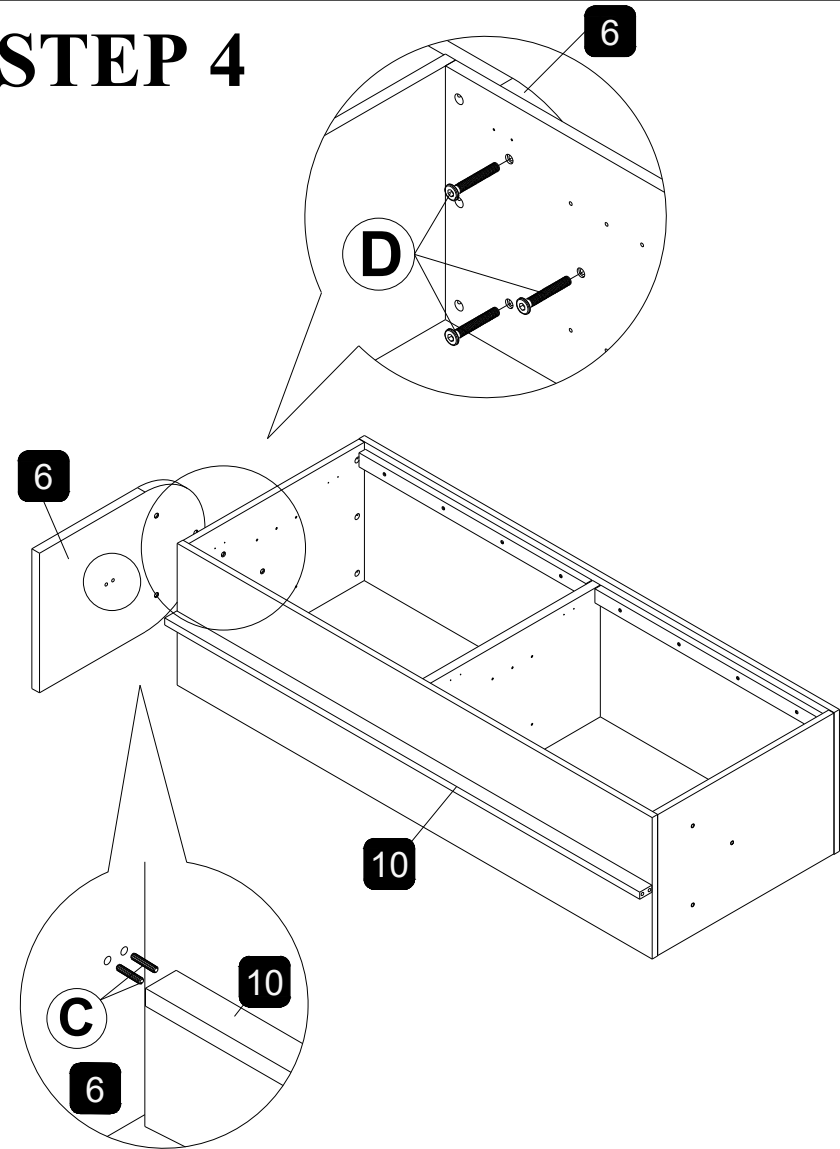
  
C X 6pcs



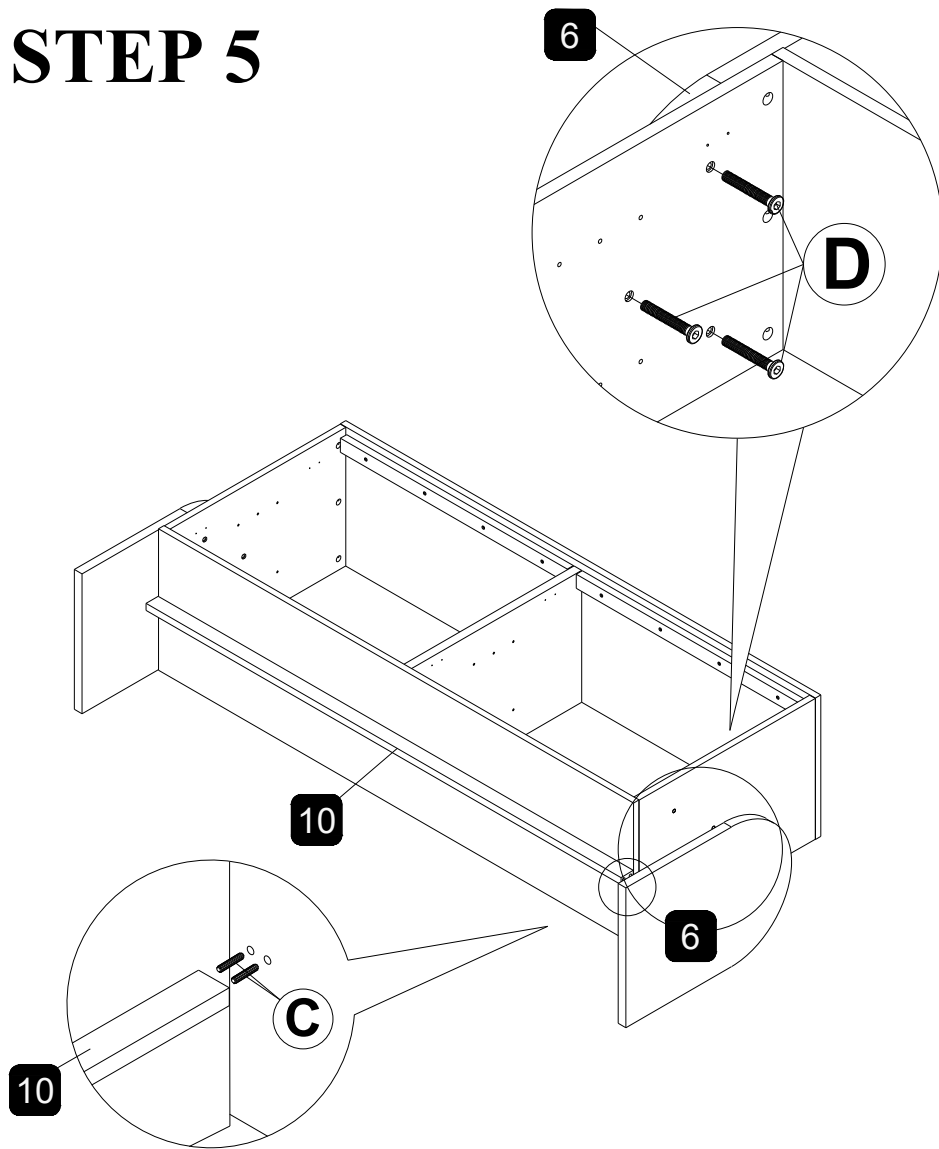
# STEP 3



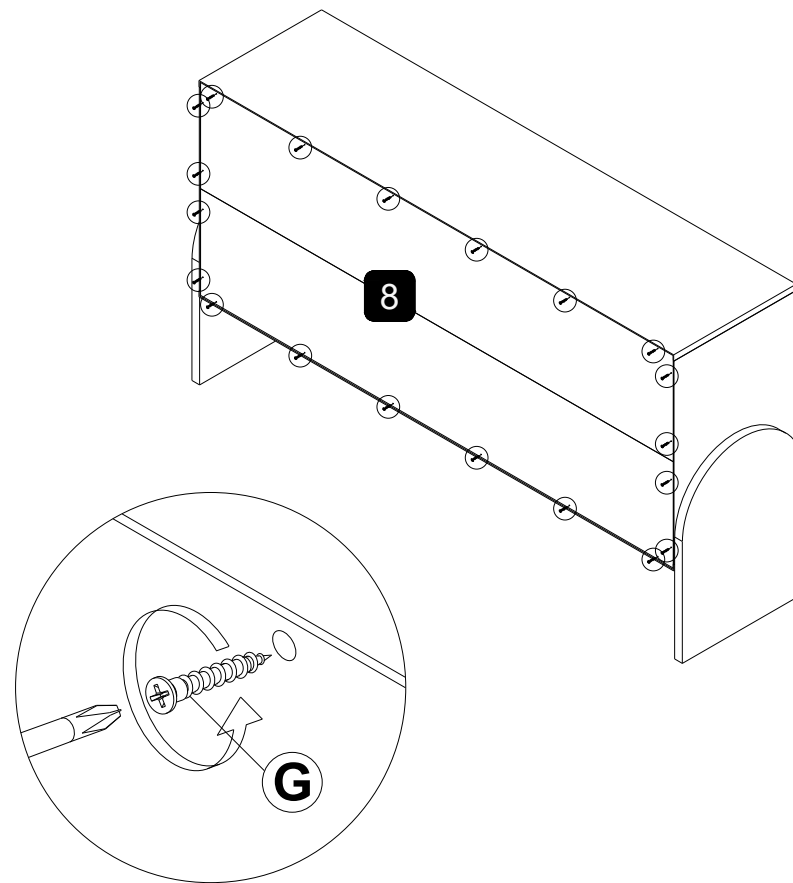
# STEP 4




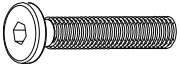
# STEP 5




# STEP 6

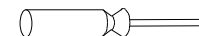


  
C X 2pcs

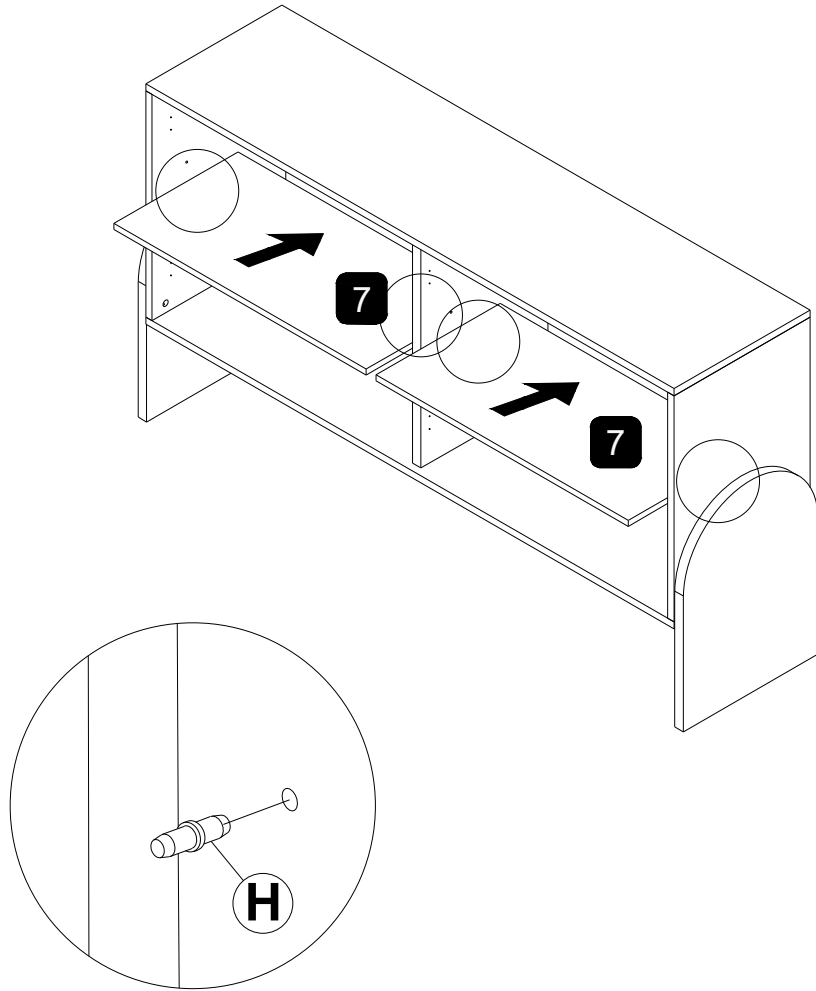
  
D X 3pcs

  
I X 1pc

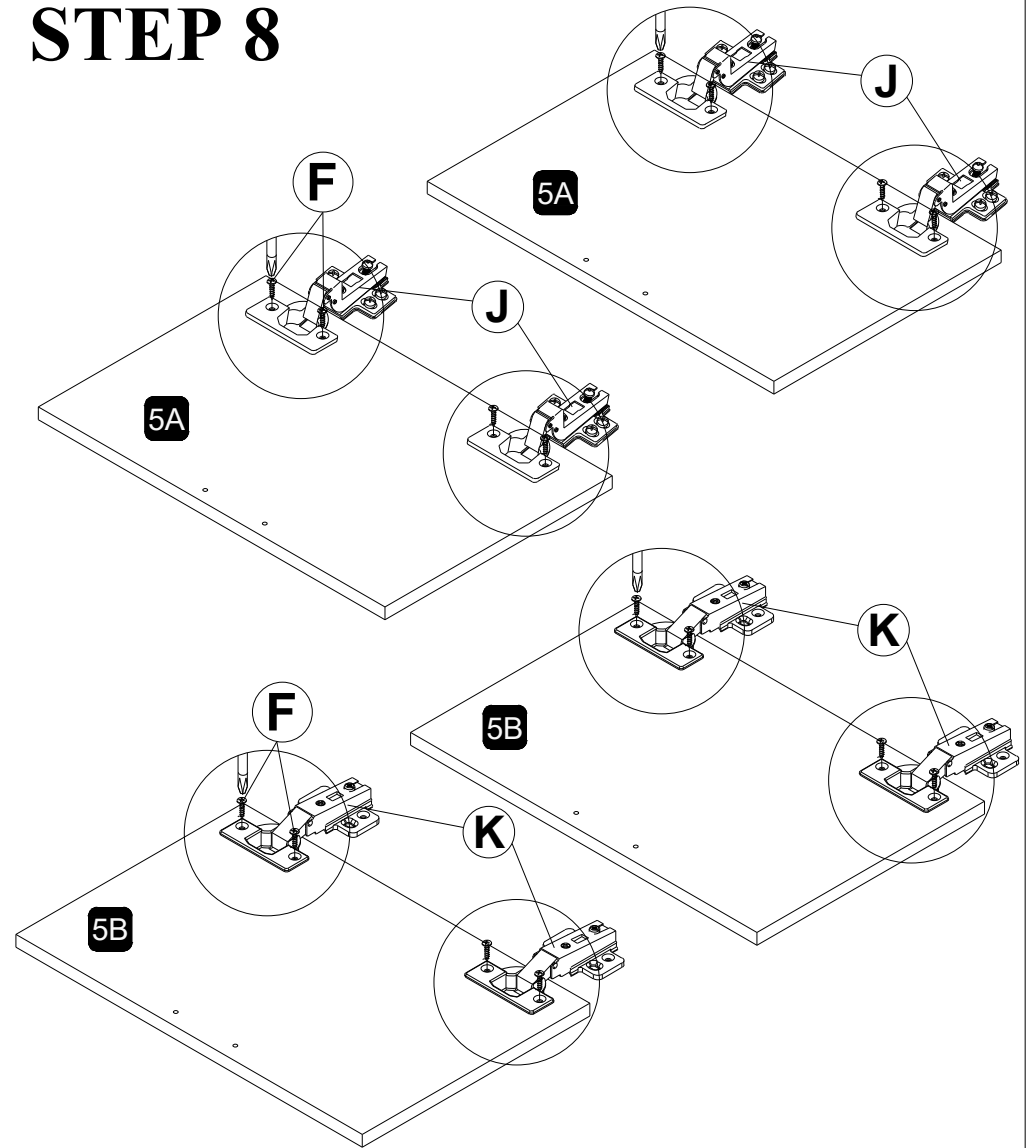
  
G X 20pcs




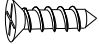
# STEP 7

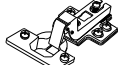


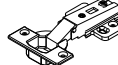
# STEP 8

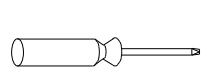


  
H X 8pcs

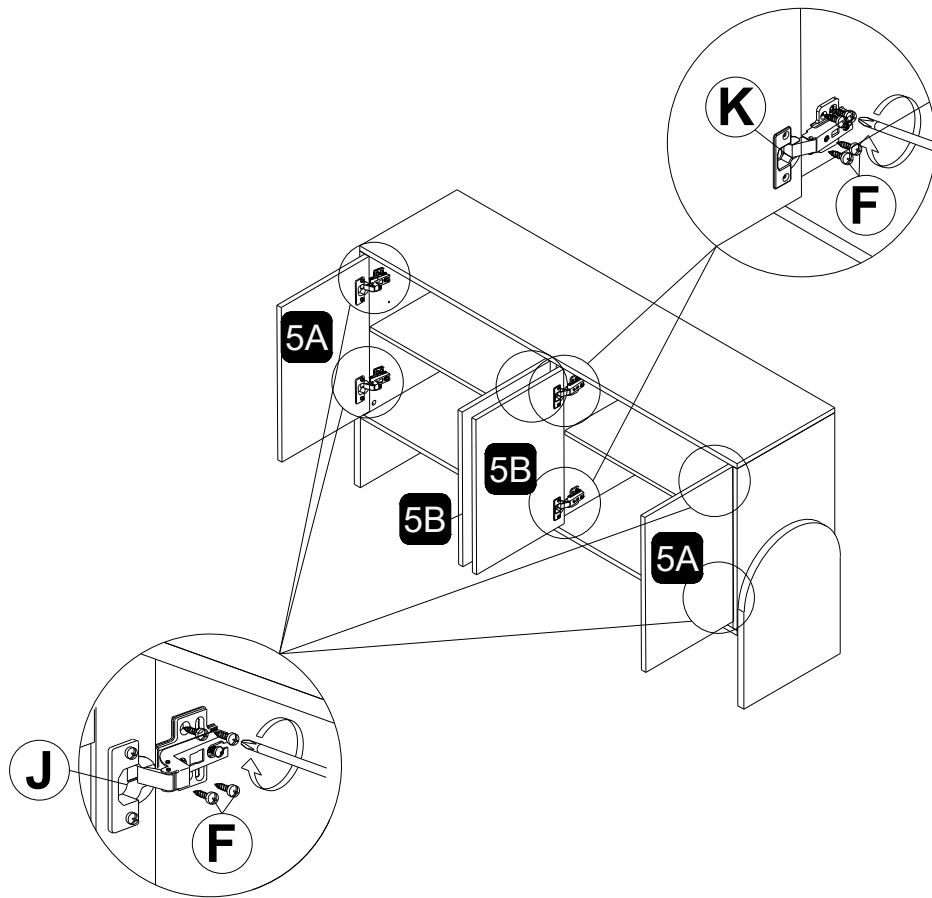
  
F X 16pcs

  
J X 4pcs

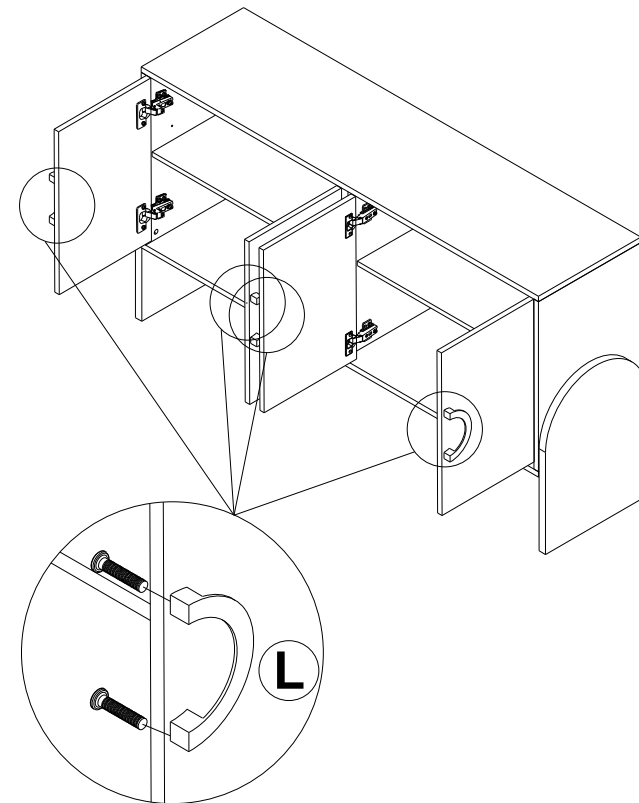
  
K X 4pcs



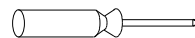
# STEP 9



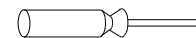
# STEP 10



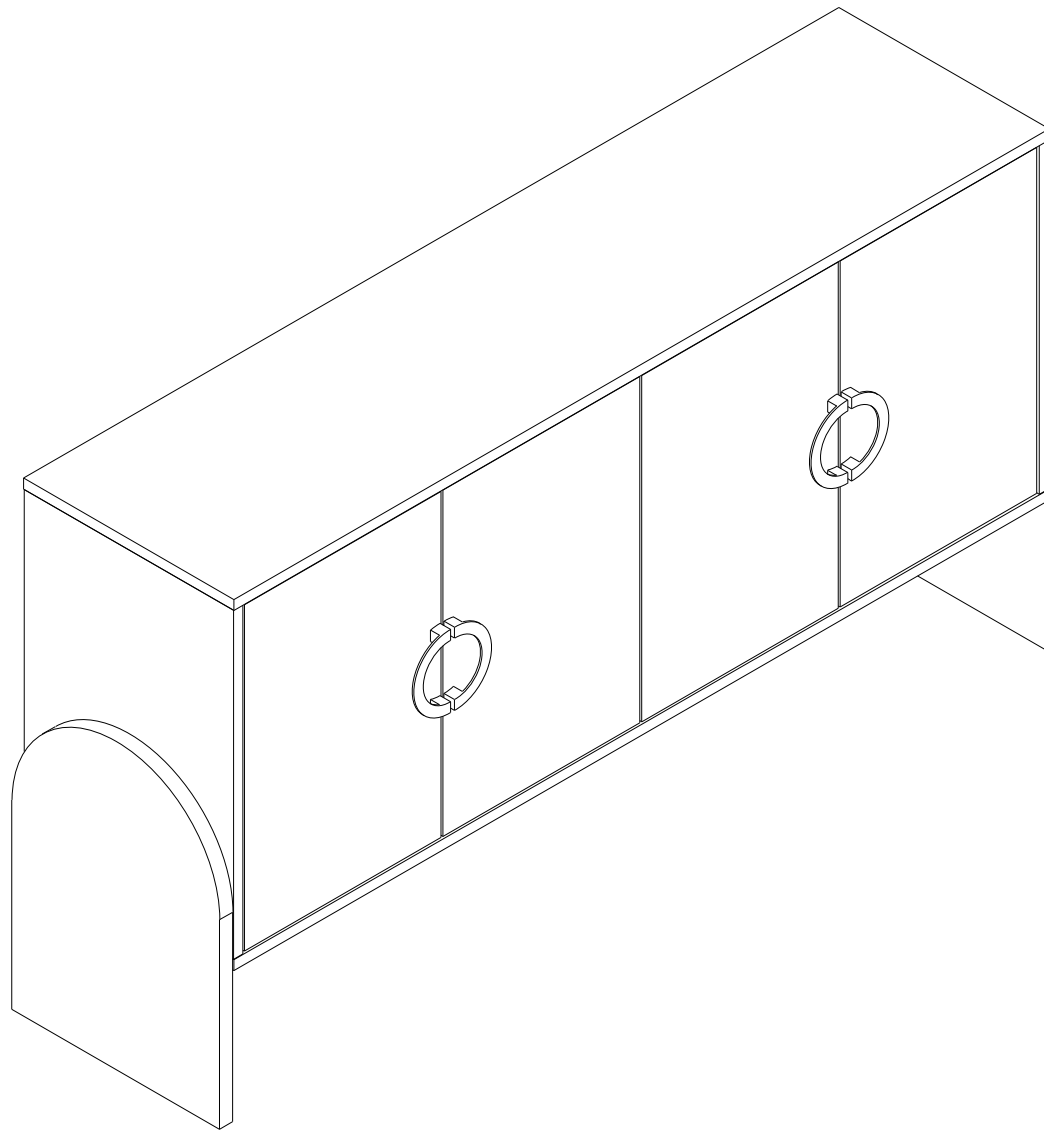
  
F X 32pcs



  
L X 4sets



# COMPLETED ASSEMBLY

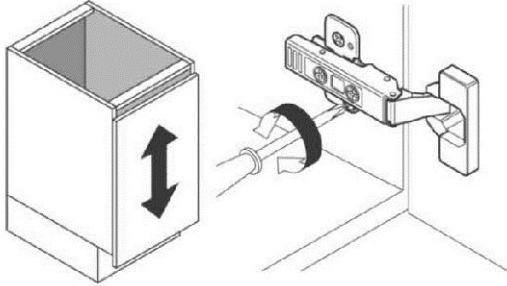




## ASSEMBLY INSTRUCTIONS

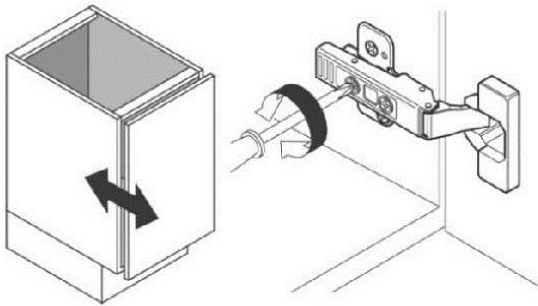
### How to Concealed Hinges

**Height Adjustment-**helps you to adjust doors so they align at the top and bottom.



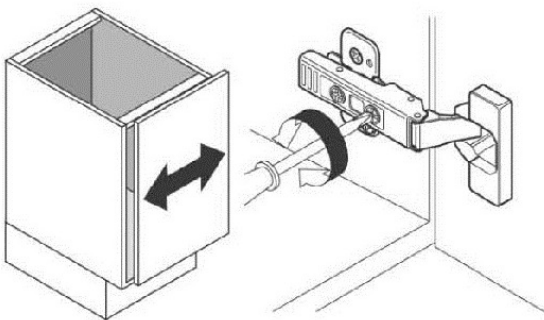
**Note:** Run your hand along the underside of the doors. You will easily feel which door are sitting lower than the others.

**Depth Adjustment-** Lets you bring a door into alignment with vertical surfaces such as drawers.



**Note:** Check to make sure you are not missing a door bumper. Missing door bumpers will cause your cabinet to look out of alignment.

**Side Adjustment-** adjusts gaps between doors and alleviates rubbing doors.



**Note:** Right Side Hinge: Clockwise moves door to RIGHT, CCW moves door to LEFT.  
Left Side Hinge: Clockwise moves door to LEFT, CCW door to RIGHT.