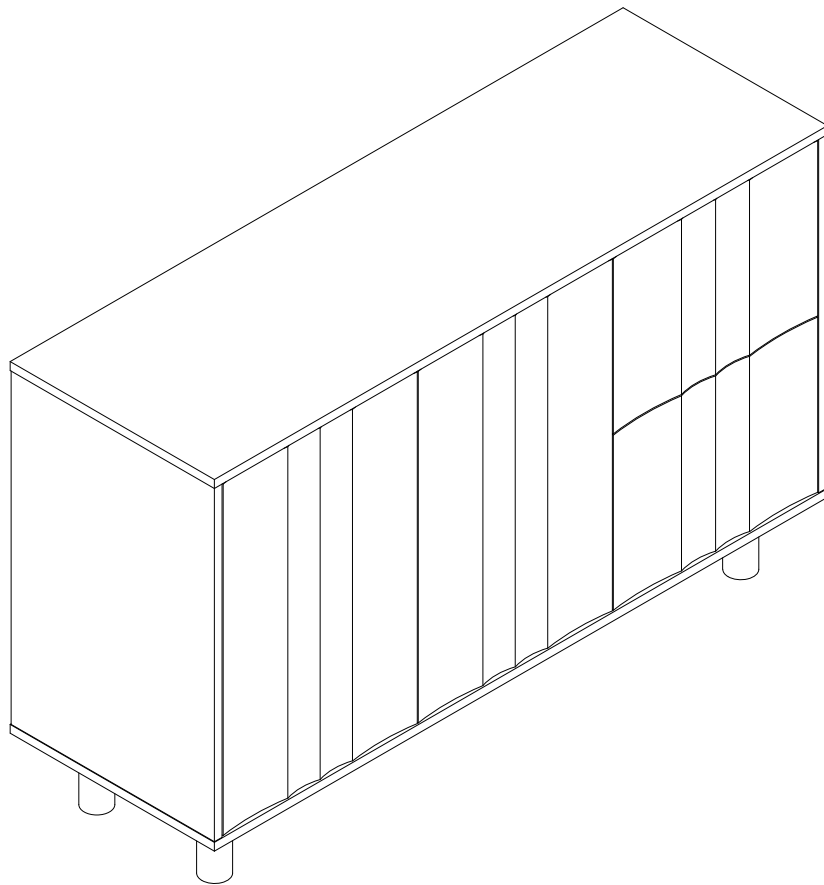


# WF317509AAK/AAB/AAV

Assembly Instruction-please keep for future reference



Important-please read this instructions fully before starting assembly

1. Thank you for choosing our products.

## 2. Return Policy








**DO NOT RETURN TO THE STORE!** Skip the process of returning your product and contact us directly for a replacement

If you find that parts of your order are missing or damaged, we will gladly ship any needed replacement parts free of charge.

If your product's quality does not meet your expectations or you have found any sort of defect, please contact our customer service department and let us know the details of your order and any issues encountered, we will try our best to provide you with a solution. Feel free to also directly contact our manufacturer at [wftteam@comptree.net](mailto:wftteam@comptree.net) concerning needed replacement parts and they will be happy to help provide you with a solution or answer any questions you may have.









### Recommendations Before Beginning Assembly


-  • Read instructions, cover to cover
-  • Have 2-4 adults on hand for assembly depending on product size
-  • Do not assemble directly on flooring or carpet
-  • Assemble on a clean non-marring surface (example: packing foam)
-  • Save all packaging until finished


## 3. Assembly Notice:

- If you encounter any problems during assembly and find that you cannot continue, rest assured we will help you solve the situation as soon as possible. Simply keep all of the parts of the product stored in a safe place and contact us immediately so we may assist you further.
- Once you have opened your package, remove all inner hardware packages and take the parts out. One by one, Place the parts out neatly in front of you, then refer to the instructions to ensure no parts are missing. If any pieces are found missing, please carefully look in the box first, as the hardware packaging might have torn making the hardware spill in the box.
- Some key parts of your product may be stored and hidden inside of other parts. Please open any zippered or hook & loop storage compartments to remove all parts. (example: cushions and legs being stored in the underside of a sofa)
- **IMPORTANT:** When setting up your product, **DO NOT INSTALL THE SCREWS ALL THE WAY IN THE BEGINNING.** Place each screw into their proper hole and use your hand to twist the screw halfway. Twist all the screws in halfway to ensure the holes will match up properly and the product is level on the ground. When everything seems fitted, then tighten the screws.
- When you have completed assembly, we suggest you have more than one person to assist you with lifting and placing the product.

## Care & Maintenance

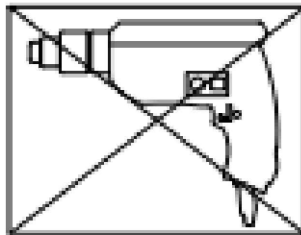
-  • Do not put hot items directly on furniture surface
-  • Do not clean furniture with harsh cleansers or polish
-  • Do not place furniture under direct sunlight
-  • Do not place furniture near heating or cooling vents
-  • Do not write on furniture without a padded barrier to protect the surface
-  • Do not place furniture outside. For indoor use only
-  • Not for commercial use. For residential use only
-  • Stains may be removed with mild soap solution and damp cloth

-  Children should not climb or jump on the furniture

-  Dust and pick-up spills using a clean, non-colored, lint-free cloth

#### Caution

- This product contains small components. Please ensure that they are kept away from small children.
- Do not use power tools to assemble your furniture. Power tools may strip or damage the parts.





## Safety and Care Advice

### Important – Please read these instructions fully before starting assembly

- Check you have all the components and tools listed on the following pages.
- Remove all fittings from the plastic bags and separate them into their groups.
- Keep children and animals away from the work area, small parts could choke if swallowed.
- Make sure you have enough space to layout the parts before starting.
- During assembly do not stand or put weight on the product, this could cause damage.
- Assemble the item as close to its final position (in the same room) as possible.
- Assemble on a soft level surface to avoid damaging the unit or your floor.
- Parts of the assembly will be easier with 2 people.



power drill is set on a low torque setting.

- To reduce the likelihood of damaging your product please ensure that your

### Care and maintenance

- Only clean using a damp cloth and mild detergent, do not use bleach or abrasive cleaners.
- From time to time check that there are no loose screws on this unit.
- This product should not be discarded with household waste. Take to your local authority waste disposal centre.

### Handy Hints

- Assemble all parts and bolts loosely during assembly, only once the product is complete should you fully tighten the bolts
- Regularly check and ensure that all bolts and fittings are tightened properly.

## WARNING

In order to help prevent overturning – please follow these instructions

To help prevent product toppling over please follow the below steps:-

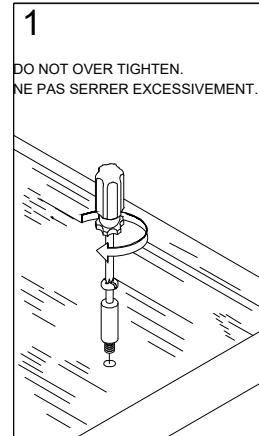
- Use the anti tip stap or wall fixing method provided (if applicable)
- Do not allow children to climb or hang on the furniture
- Do not open more than one drawer at a time
- Do not place heavy items in the top drawers
- Do not place heavy items on top of the furniture, unless the furniture has been designed for this purpose

# Using Camlocks

## Step 1

---

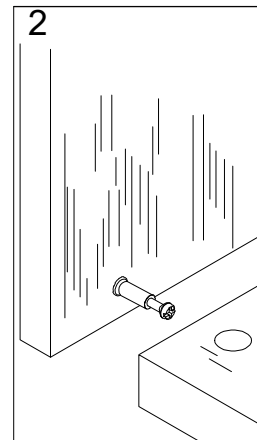
Connect the male camlock as directed in the assembly instructions using a screwdriver.



## Step 2

---

Push the male camlock into the entry hole.

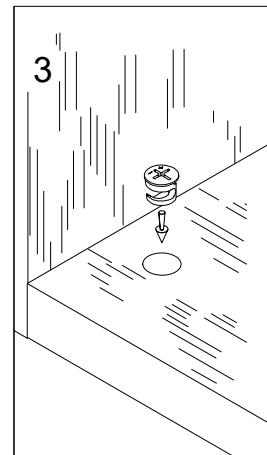


## Step 3

---

Insert the female camlock as shown in the instruction.

Note: ensure that the arrow on the top of the camlock points towards the entry hole for the male camlock.



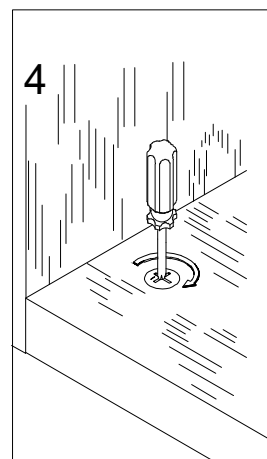
## Step 4

---

Turn the female camlock clockwise with a screwdriver.

You should feel a click when the camlock is locked in place.

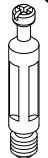

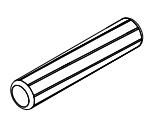
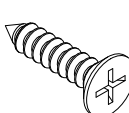
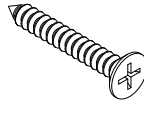
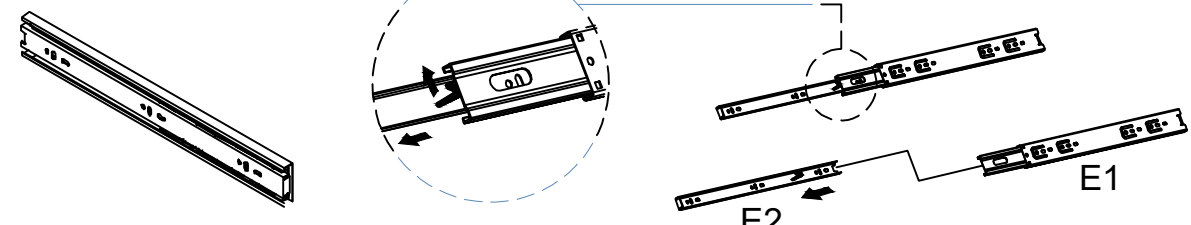
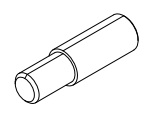
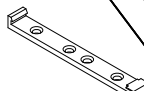


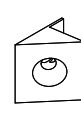

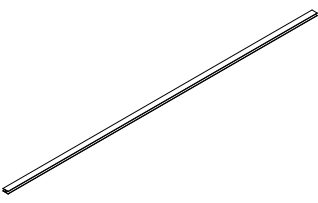
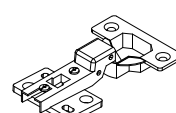
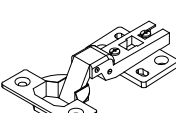
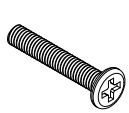
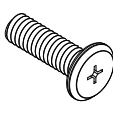
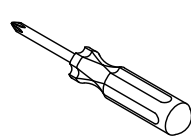
The joint is now secure.



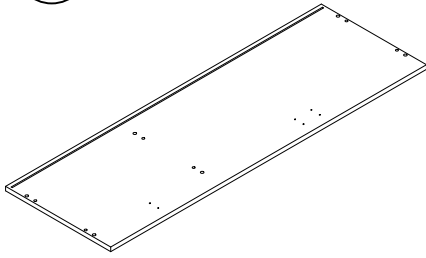
# Components- Fittings

Please check you have all the panels listed below

Note: The quantities below are the correct amount to complete the assembly. In some cases more fittings may be supplied than are required

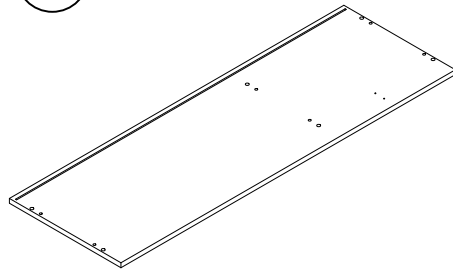
<p><b>A<sub>1</sub></b> Ø15*11.5 20PCS</p>  <p><b>A<sub>2</sub></b></p>  <p>Ø6*40 20PCS</p>	<p><b>B</b></p>  <p>Ø8*40 12PCS</p>	<p><b>C</b></p>  <p>Ø3.5*14 64PCS</p>	<p><b>D</b></p>  <p>Ø3.5*35 8PCS</p>
<p><b>E</b></p>  <p>350MM 4PCS</p>			
<p><b>F</b></p>  <p>4PCS</p>	<p><b>G<sub>1</sub></b> 4PCS</p>  <p><b>G<sub>2</sub></b> 4PCS</p>  <p><b>G<sub>3</sub></b> 4PCS</p> 	<p><b>H</b></p>  <p>16PCS</p>	<p><b>J</b></p>  <p>20PCS</p>
<p><b>K</b></p>  <p>L=596MM 2PCS</p>	<p><b>L</b></p>  <p>2PCS</p>	<p><b>M</b></p>  <p>2PCS</p>	<p><b>N</b></p>  <p>M6*30 6PCS</p>
<p><b>O</b></p>  <p>M6*14 8PCS</p>	<p><b>T</b></p>  <p>1PCS</p>		

1



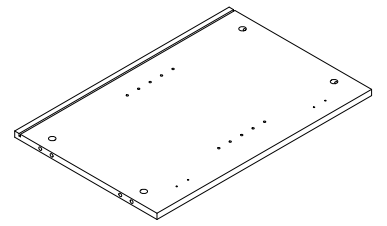
1PC

2



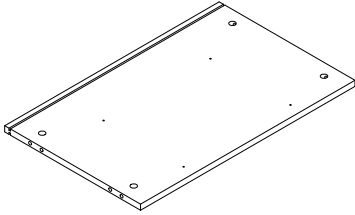
1PC

3



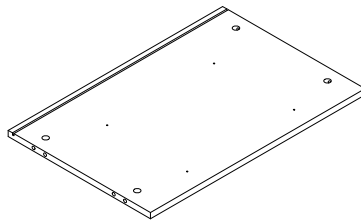
1PC

4



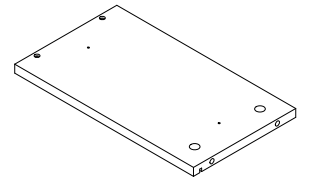
1PC

5



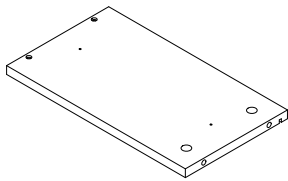
1PC

6



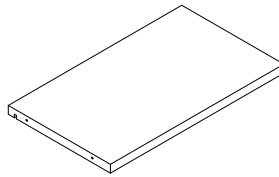
2PC

7



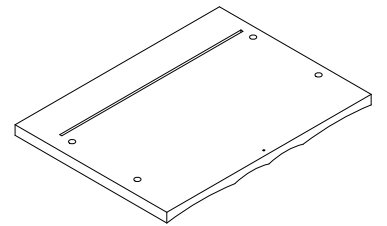
2PC

8



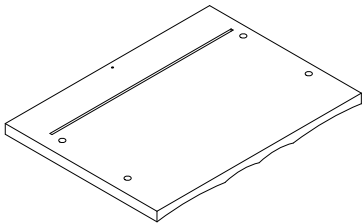
2PC

9



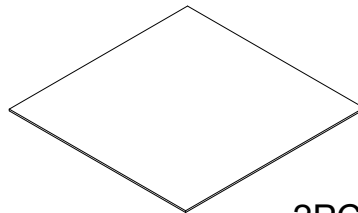
1PC

10



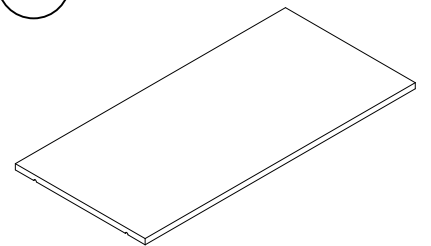
1PC

11



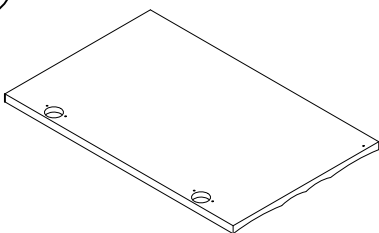
2PC

12



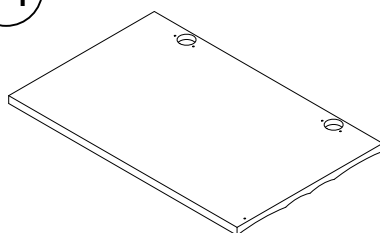
1PC

13



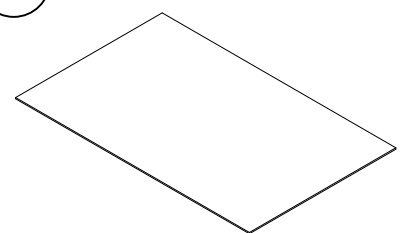
1PC

14



1PC

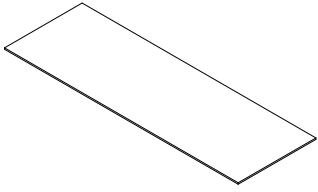
15



2PC

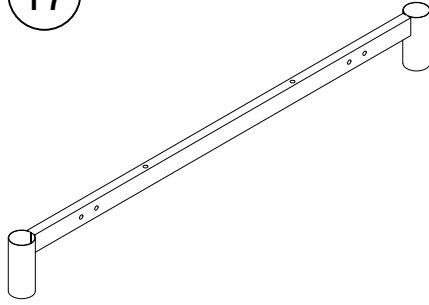


16



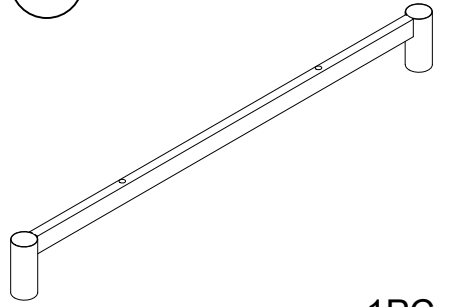
2PC

17



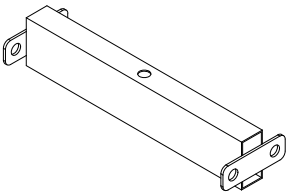
1PC

18

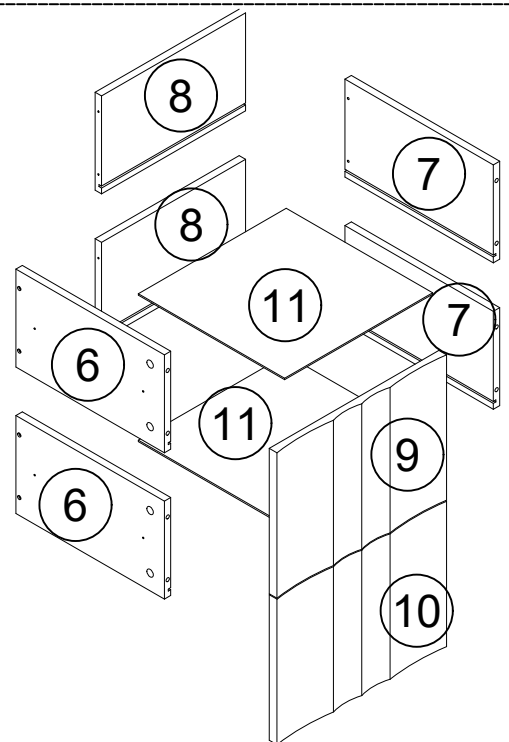
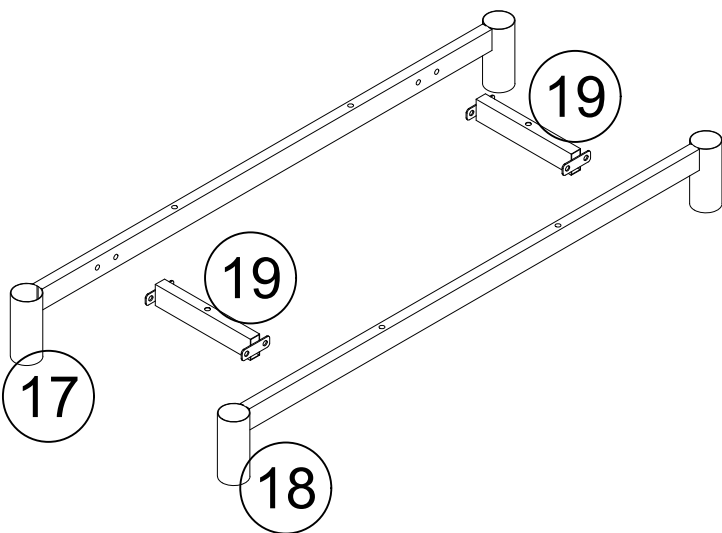
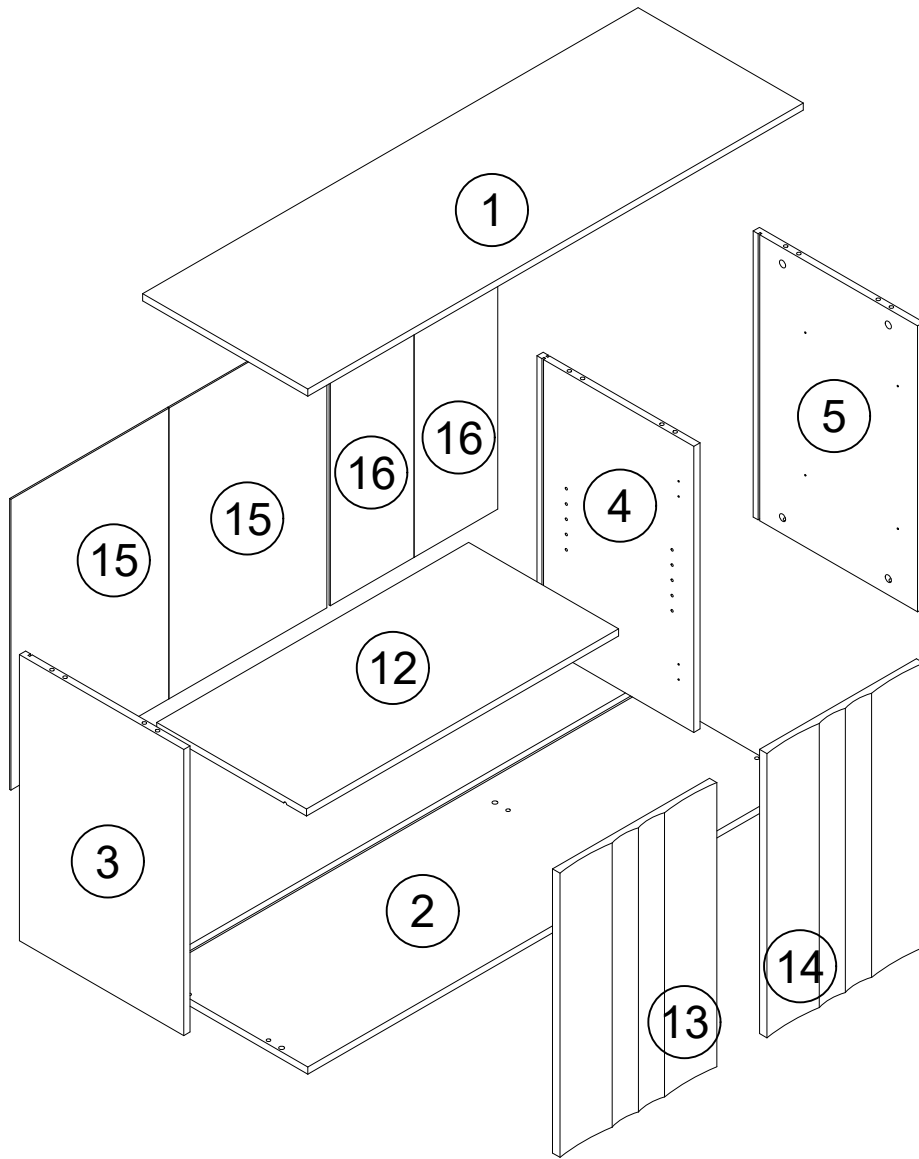


1PC

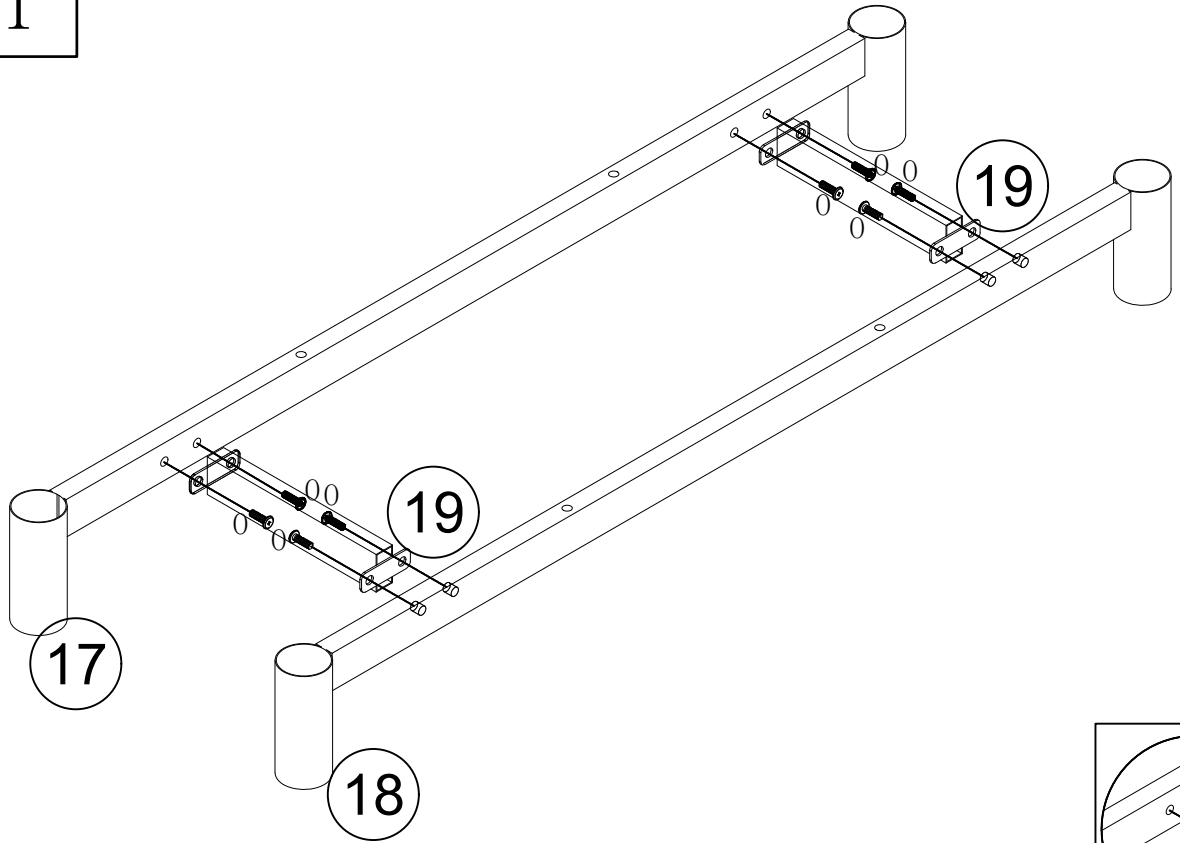
19



2PC

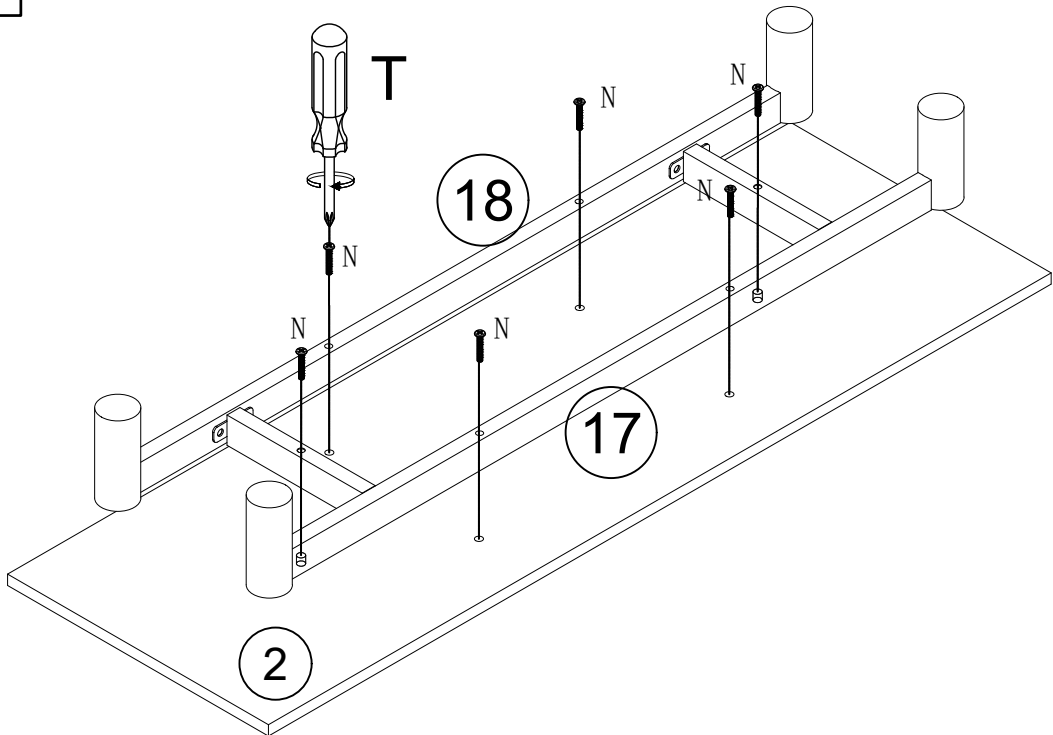


# STEP 1



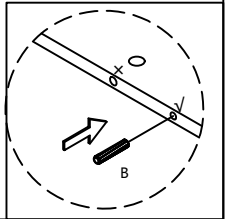
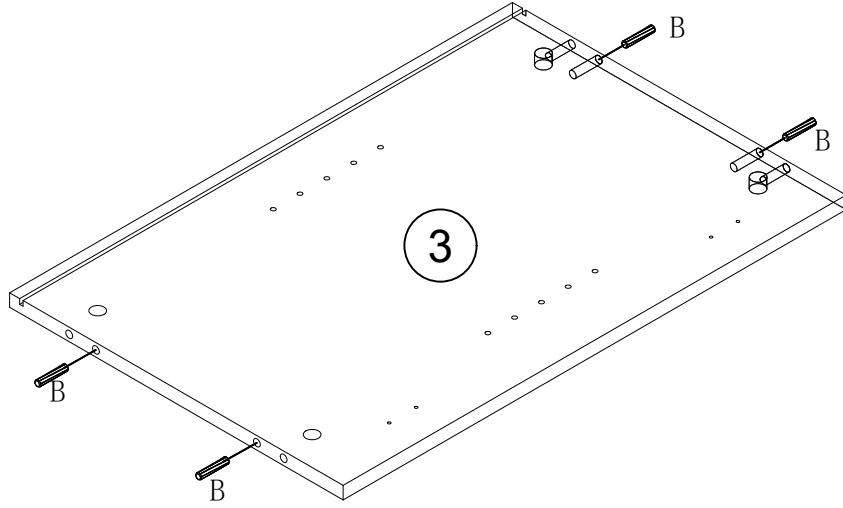
0x8pcs

# STEP 2



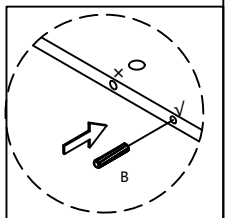
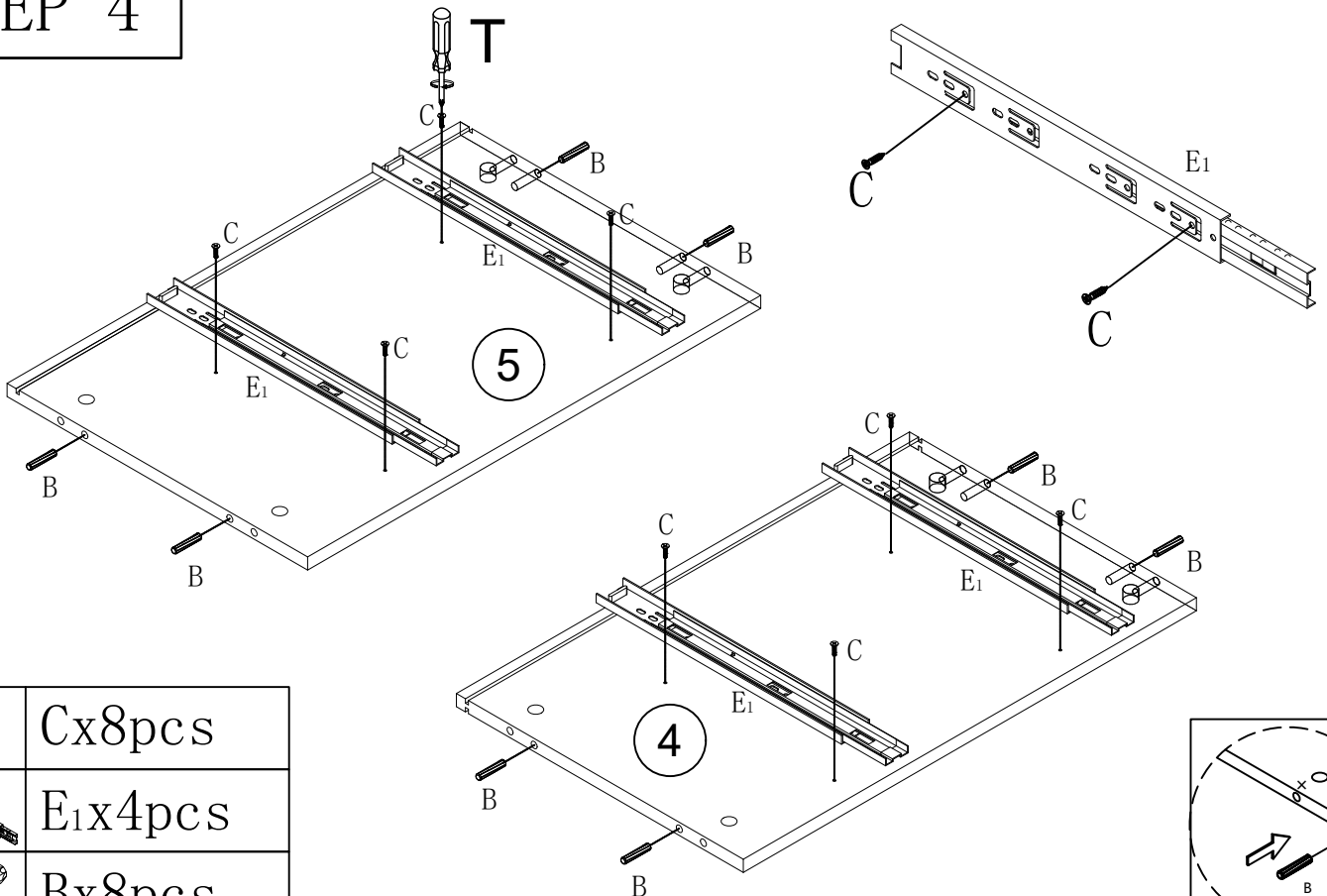
Nx6pcs


# STEP 3



	Bx4pcs
--	--------

# STEP 4

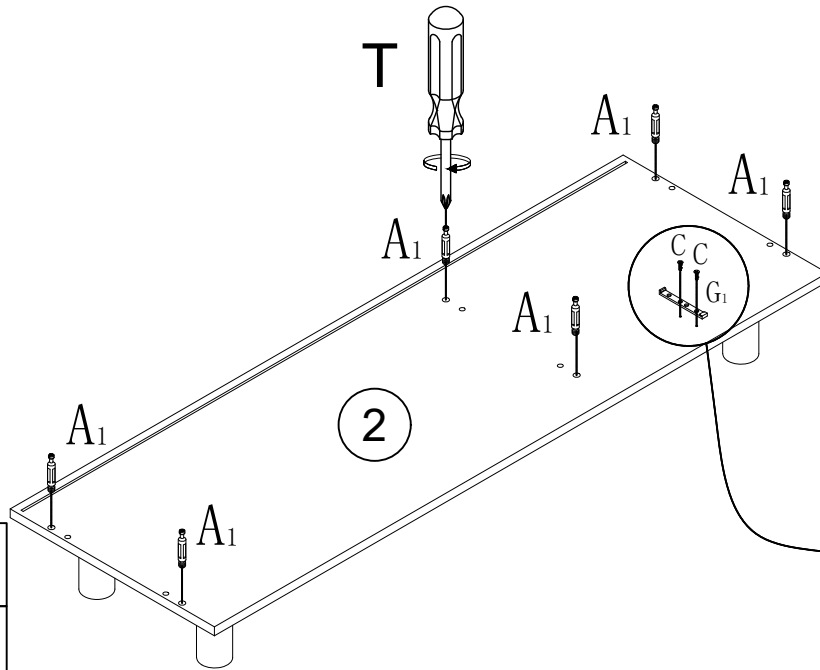




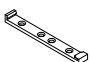

	Cx8pcs
--	--------

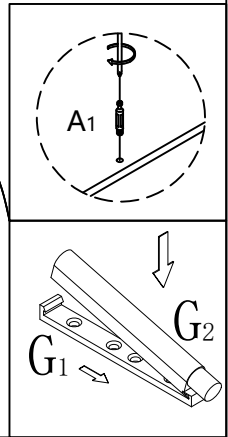
	E <sub>1</sub> x4pcs
--	----------------------

	Bx8pcs
--	--------

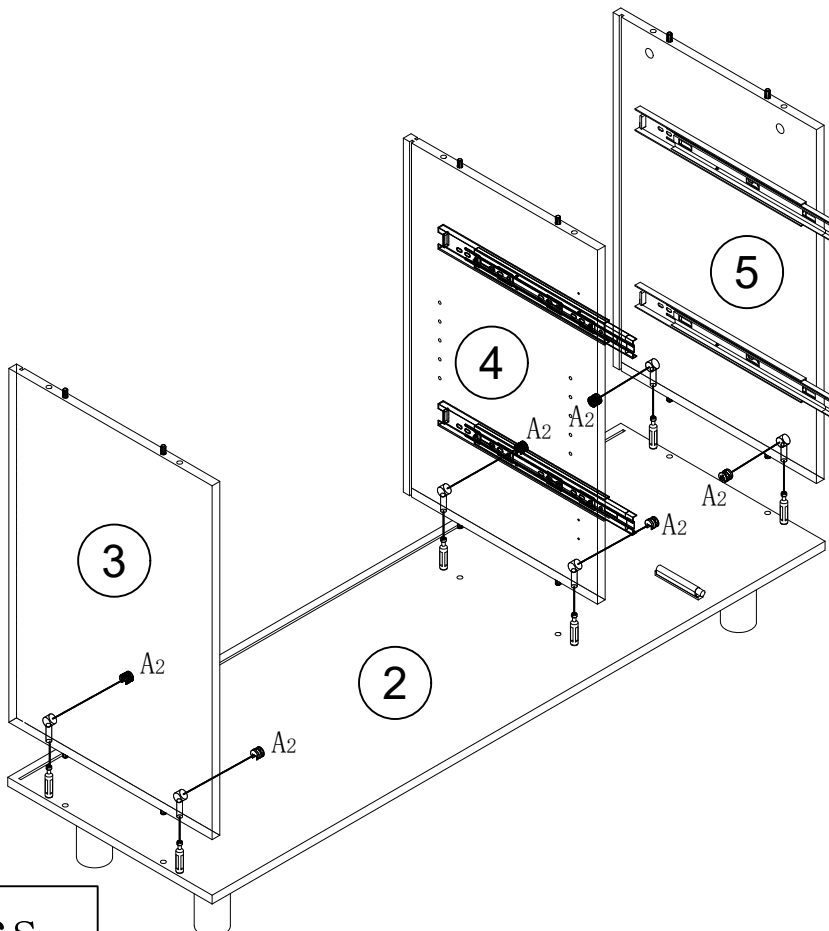
# STEP 5




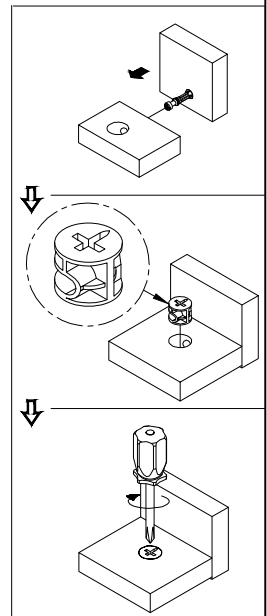
	A <sub>1</sub> x6pcs
	Cx2pcs
	G <sub>1</sub> x1pcs
	G <sub>2</sub> x1pcs



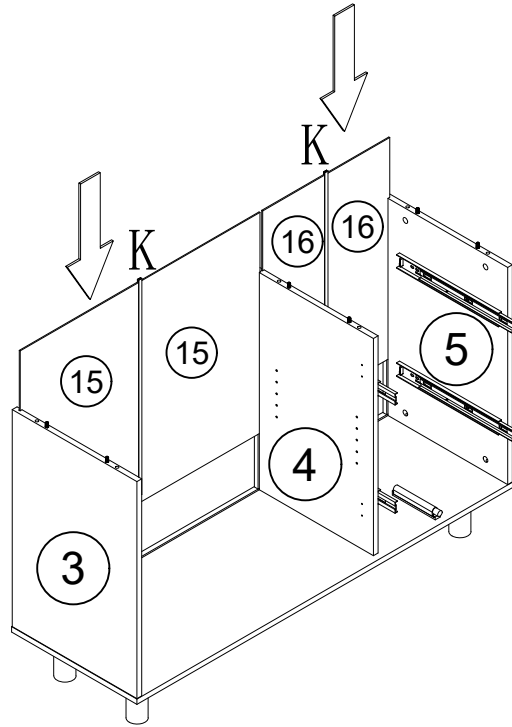
# STEP 6




	A <sub>2</sub> x6pcs
--	----------------------

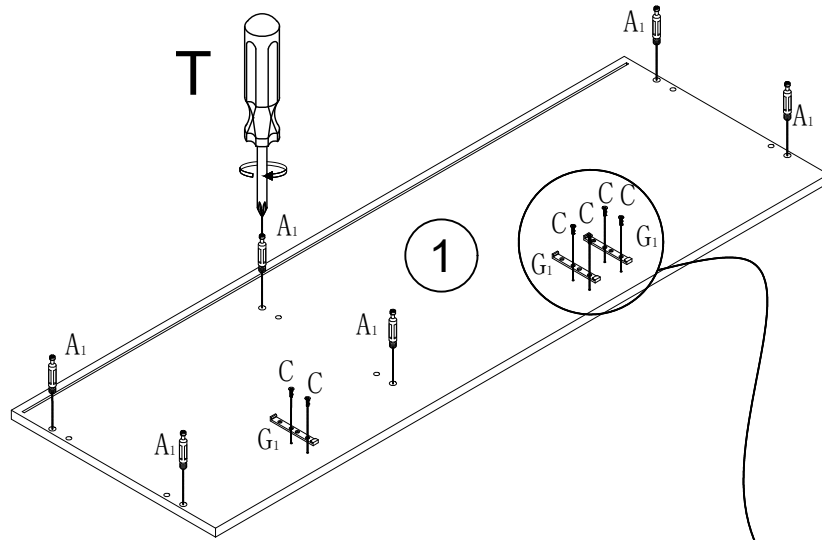


# STEP 7



 Kx2pcs

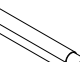
# STEP 8

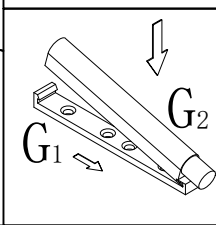
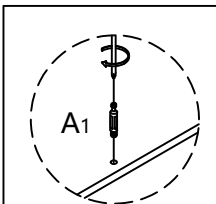


 A<sub>1</sub>x6pcs

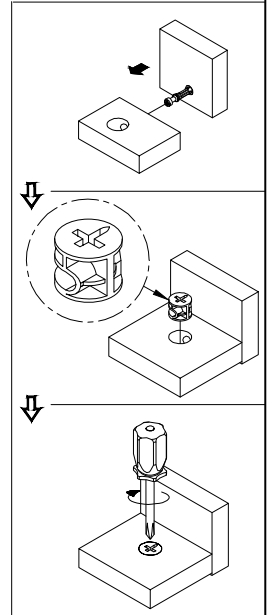
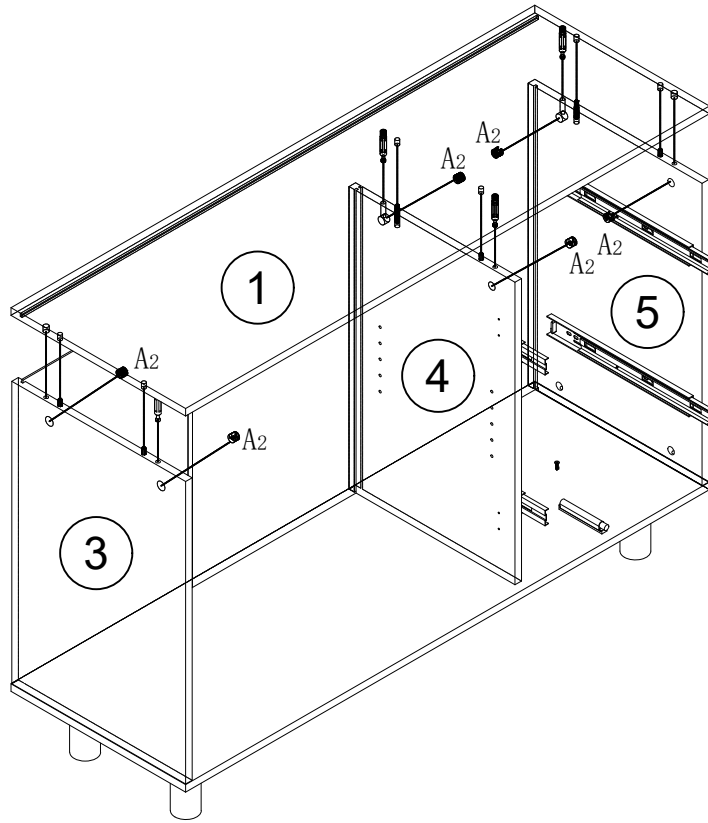
 Cx6pcs

 G<sub>1</sub>x3pcs

 G<sub>2</sub>x3pcs

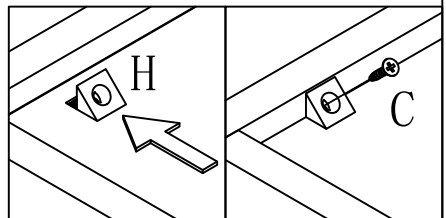
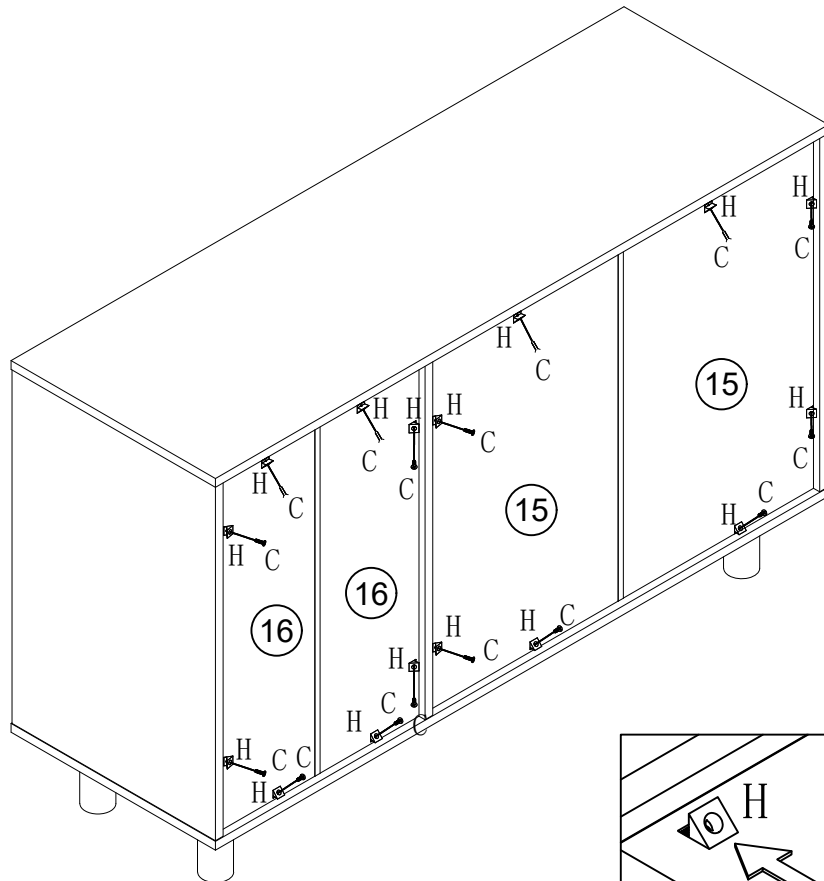


# STEP 9



A2x6pcs

# STEP 10

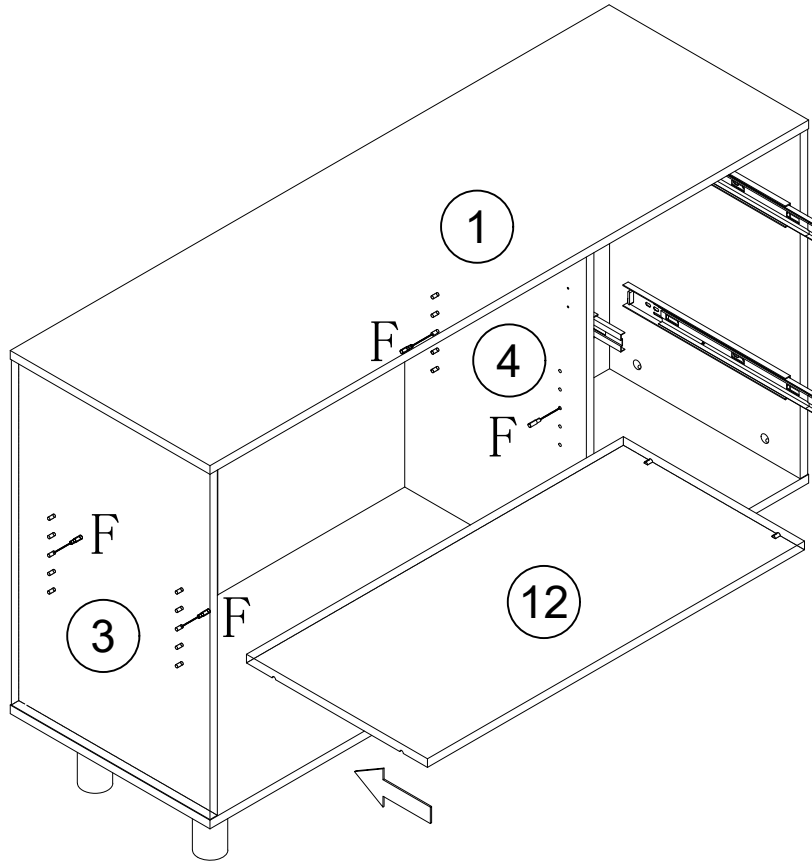


Cx16pcs



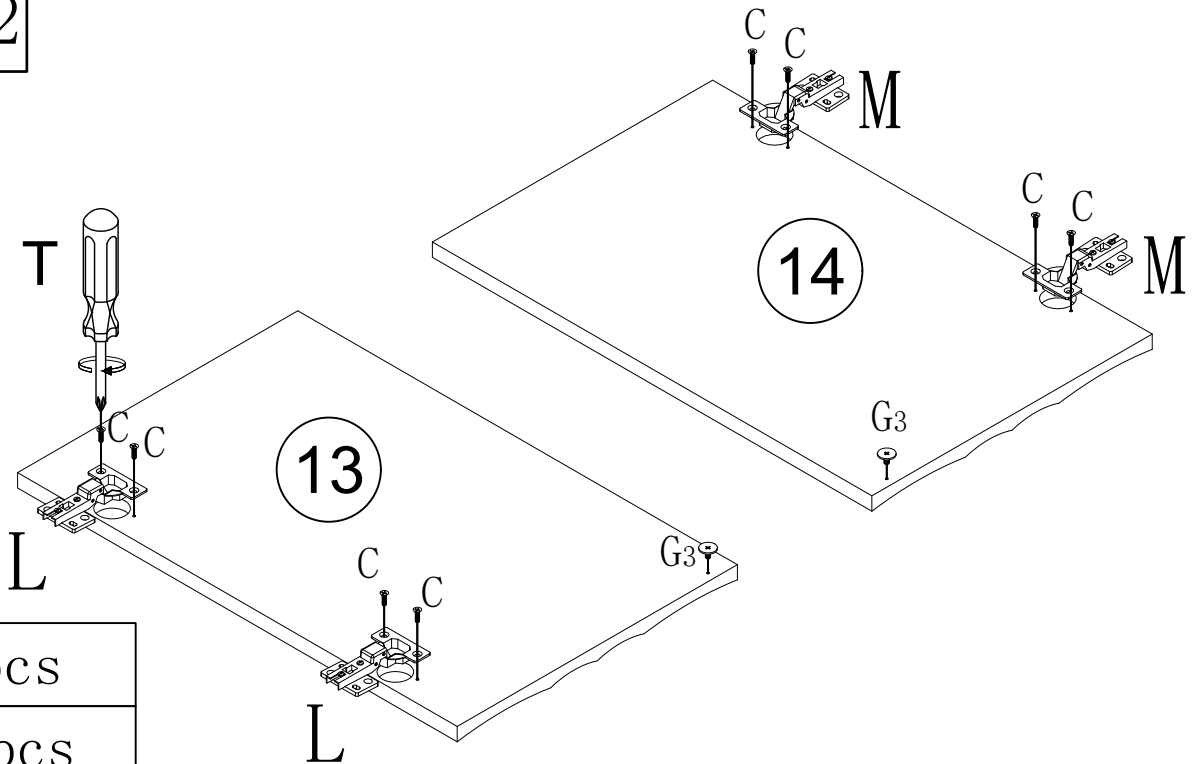
Hx16pcs

# STEP 11



Fx4pcs

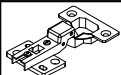
# STEP 12



Cx8pcs



G<sub>3</sub>x2pcs



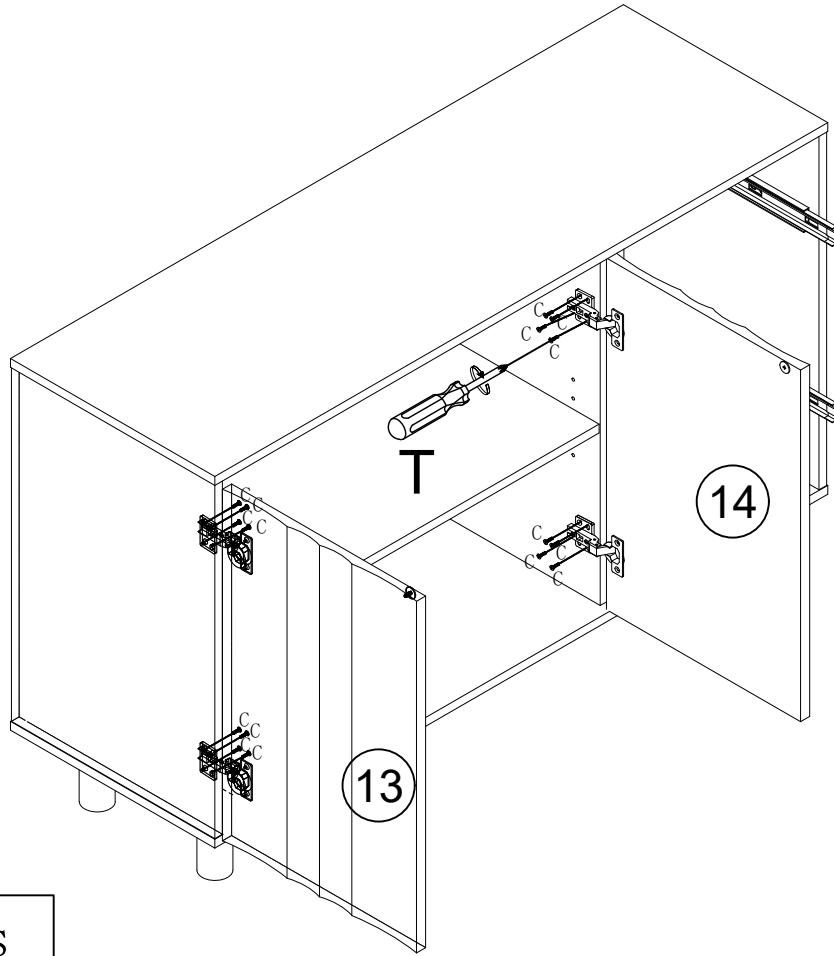
Lx2pcs



Mx2pcs

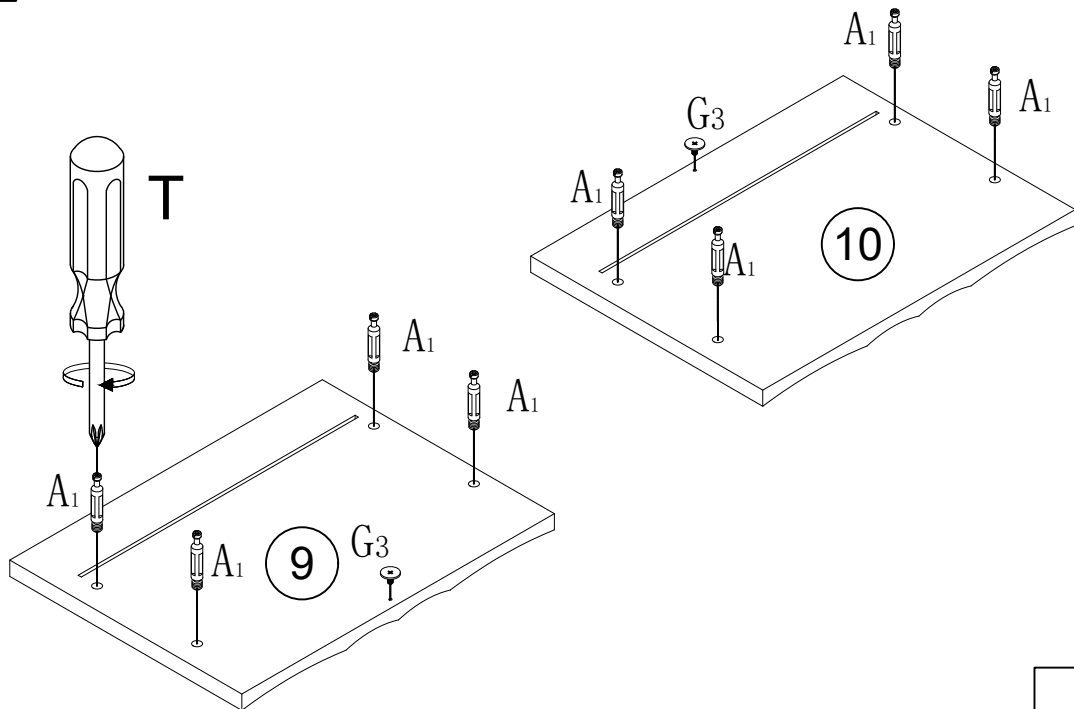


# STEP 13



Cx16pcs

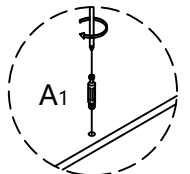
# STEP 14



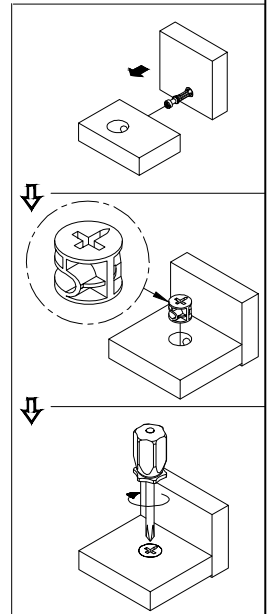
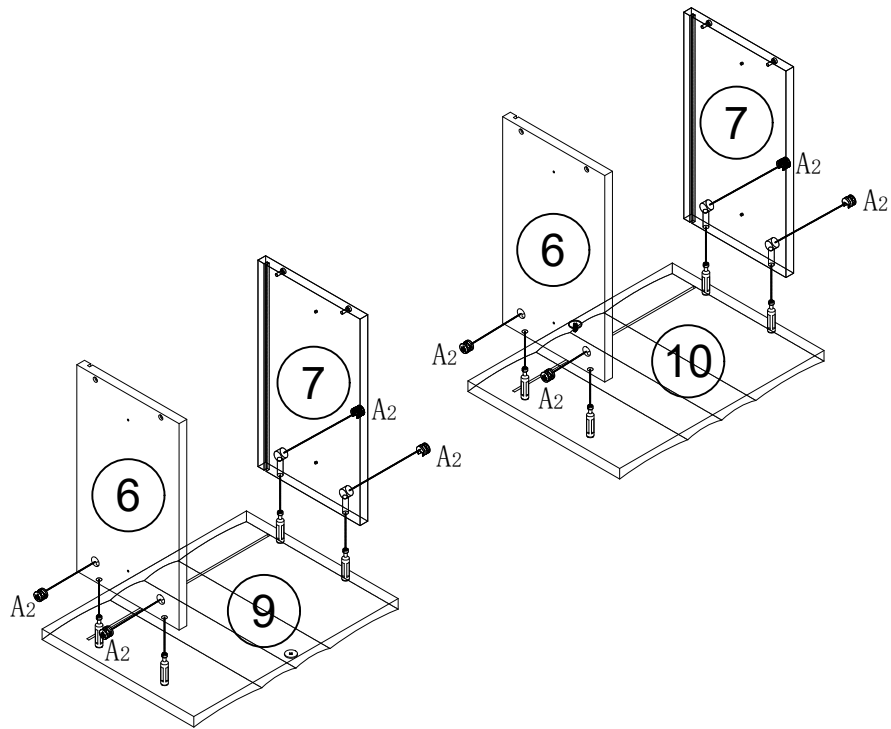
A<sub>1</sub>x8pcs



G<sub>3</sub>x2pcs

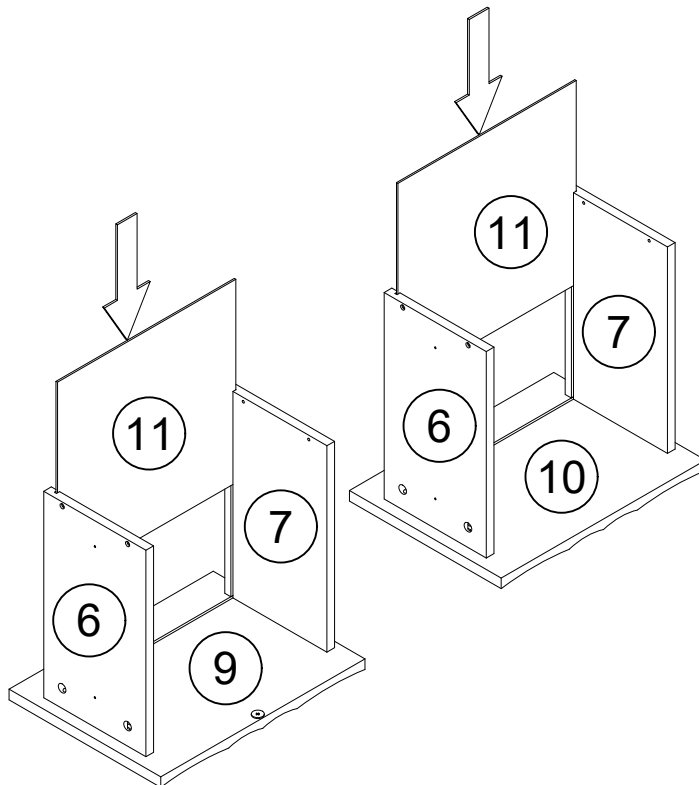


# STEP 15

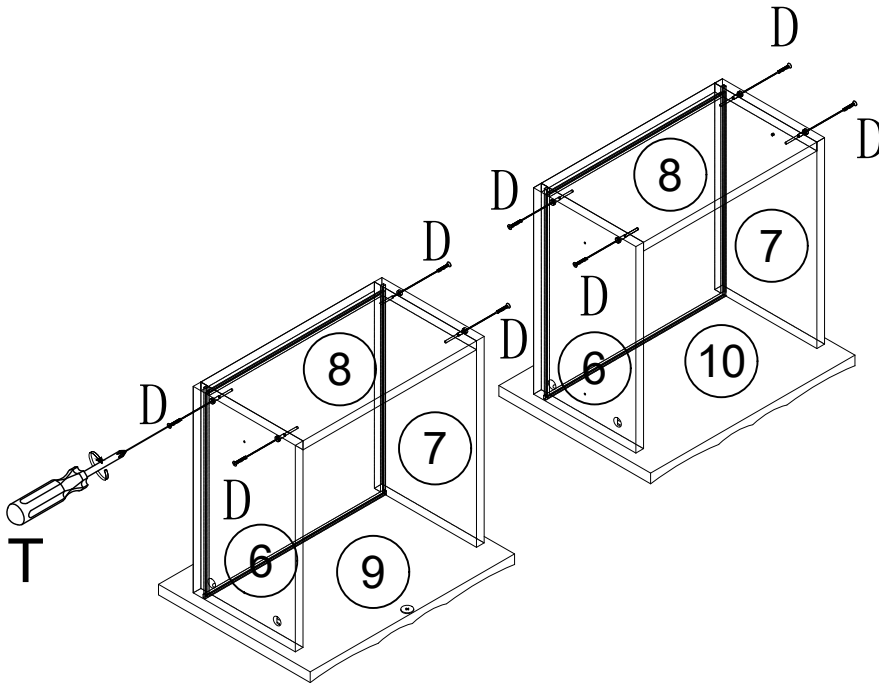


A2x8pcs

# STEP 16

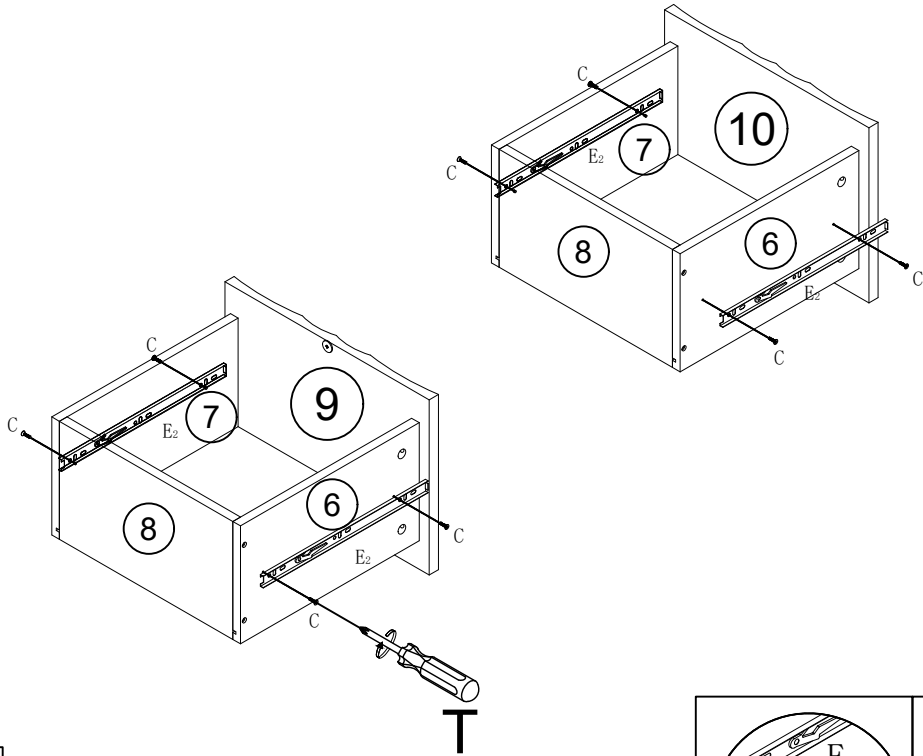


# STEP 17



Dx8pcs

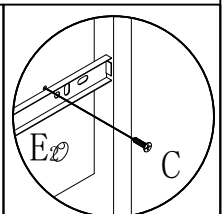
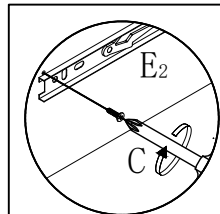
# STEP 18



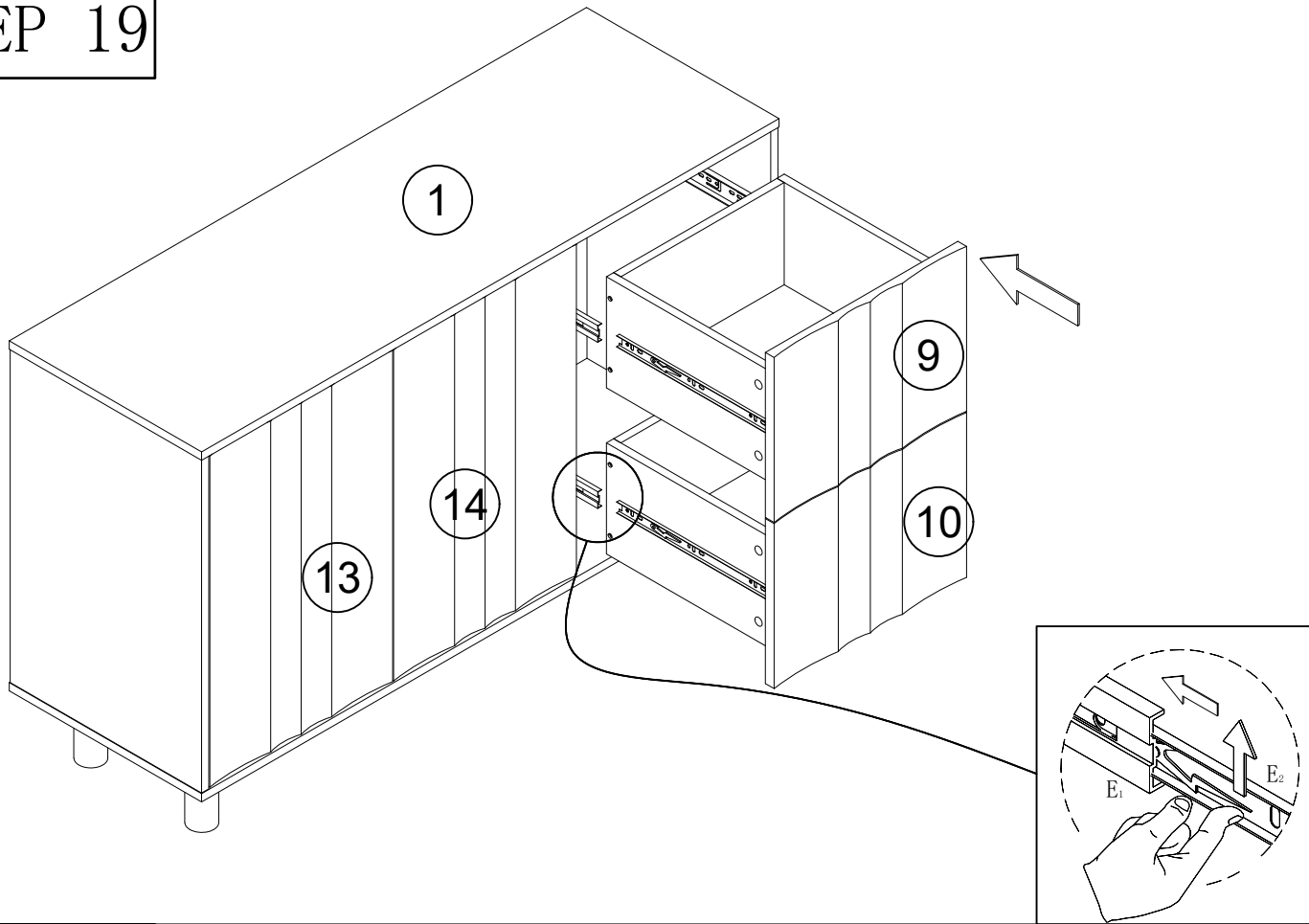
Cx8pcs



E<sub>2</sub>x4pcs

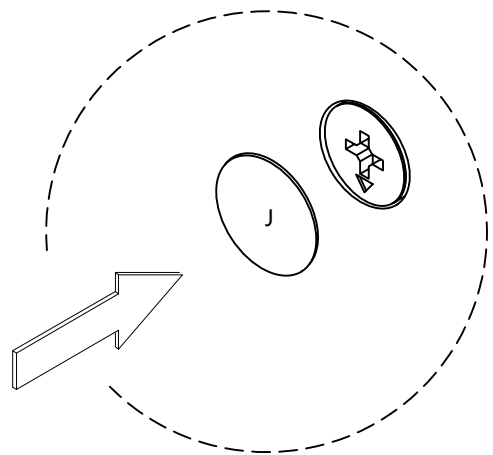


## STEP 19



## STEP 20

In order to make the product more beautiful, please paste hardware J on the exposed holes



○ Jx20pcs

STEP 21

