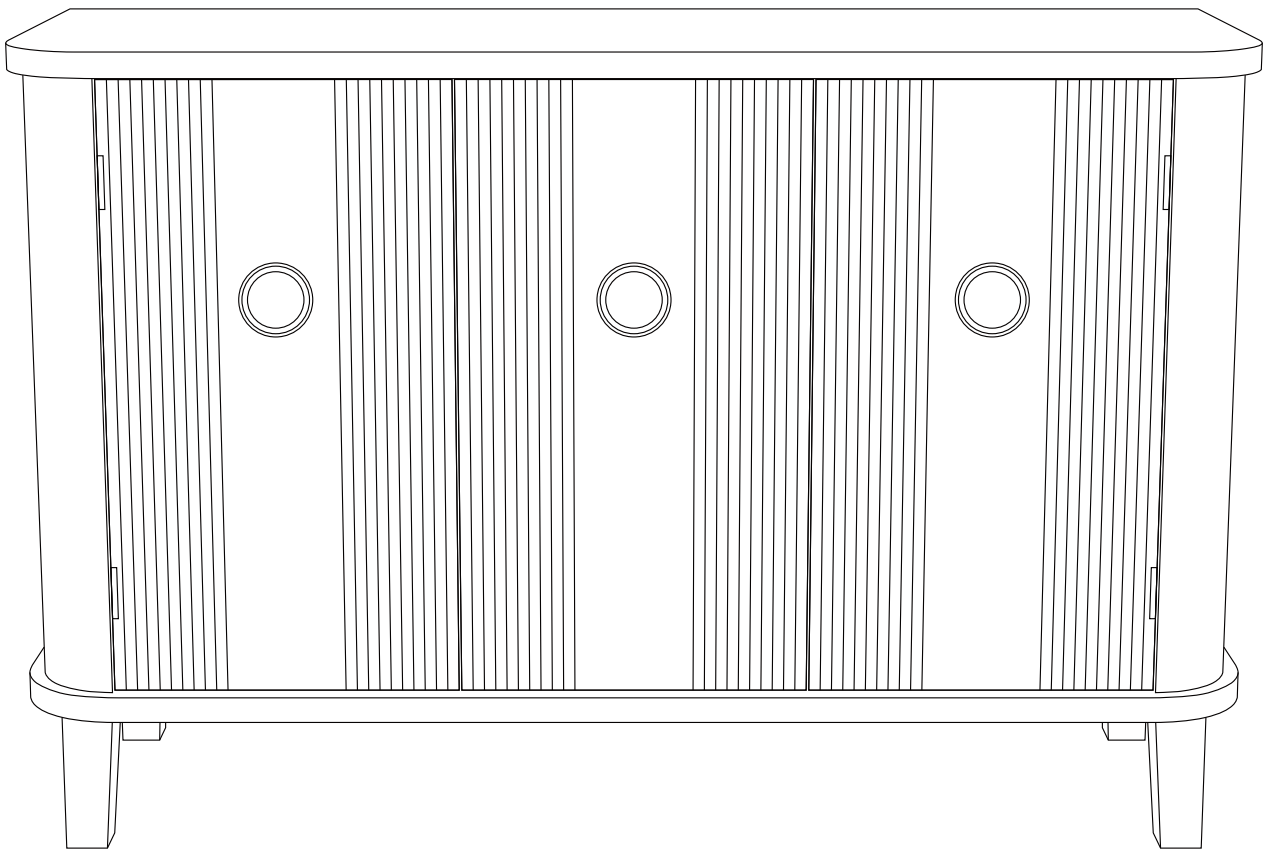


**SKU:WF311379**



1. Thank you for choosing *our products*.

2. Return Policy



DO NOT RETURN TO THE STORE! Skip the process of returning your product and contact us directly for a replacement

If you find that parts of your order are missing or damaged, we will gladly ship any needed replacement parts free of charge.

If your product's quality does not meet your expectations or you have found any sort of defect, please contact our customer service department and let us know the details of your order and any issues encountered, we will try our best to provide you with a solution. Feel free to also directly contact our manufacturer concerning needed replacement parts and they will be happy to help provide you with a solution or answer any questions you may have.

Recommendations Before Beginning Assembly



- Read instructions, cover to cover



- Have 2-4 adults on hand for assembly depending on product size



- Do not assemble directly on flooring or carpet



- Assemble on a clean non-marring surface (example: packing foam)



- Save all packaging until finished











3. Assembly Notice:

- If you encounter any problems during assembly and find that you cannot continue, rest assured we will help you solve the situation as soon as possible. Simply keep all of the parts of the product stored in a safe place and contact us immediately so we may assist you further.
- Once you have opened your package, remove all inner hardware packages and take the parts out. One by one, Place the parts out neatly in front of you, then refer to the instructions to ensure no parts are missing. If any pieces are found missing, please carefully look in the box first, as the hardware packaging might have torn making the

hardware spill in the box.

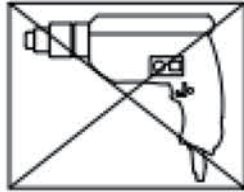
- Some key parts of your product may be stored and hidden inside of other parts. Please open any zippered or hook & loop storage compartments to remove all parts. (example: cushions and legs being stored in the underside of a sofa)
- **IMPORTANT:** When setting up your product, **DO NOT INSTALL THE SCREWS ALL THE WAY IN THE BEGINNING.** Place each screw into their proper hole and use your hand to twist the screw halfway. Twist all the screws in halfway to ensure the holes will match up properly and the product is level on the ground. When everything seems fitted, then tighten the screws.
- When you have completed assembly, we suggest you have more than one person to assist you with lifting and placing the product.

## Care & Maintenance

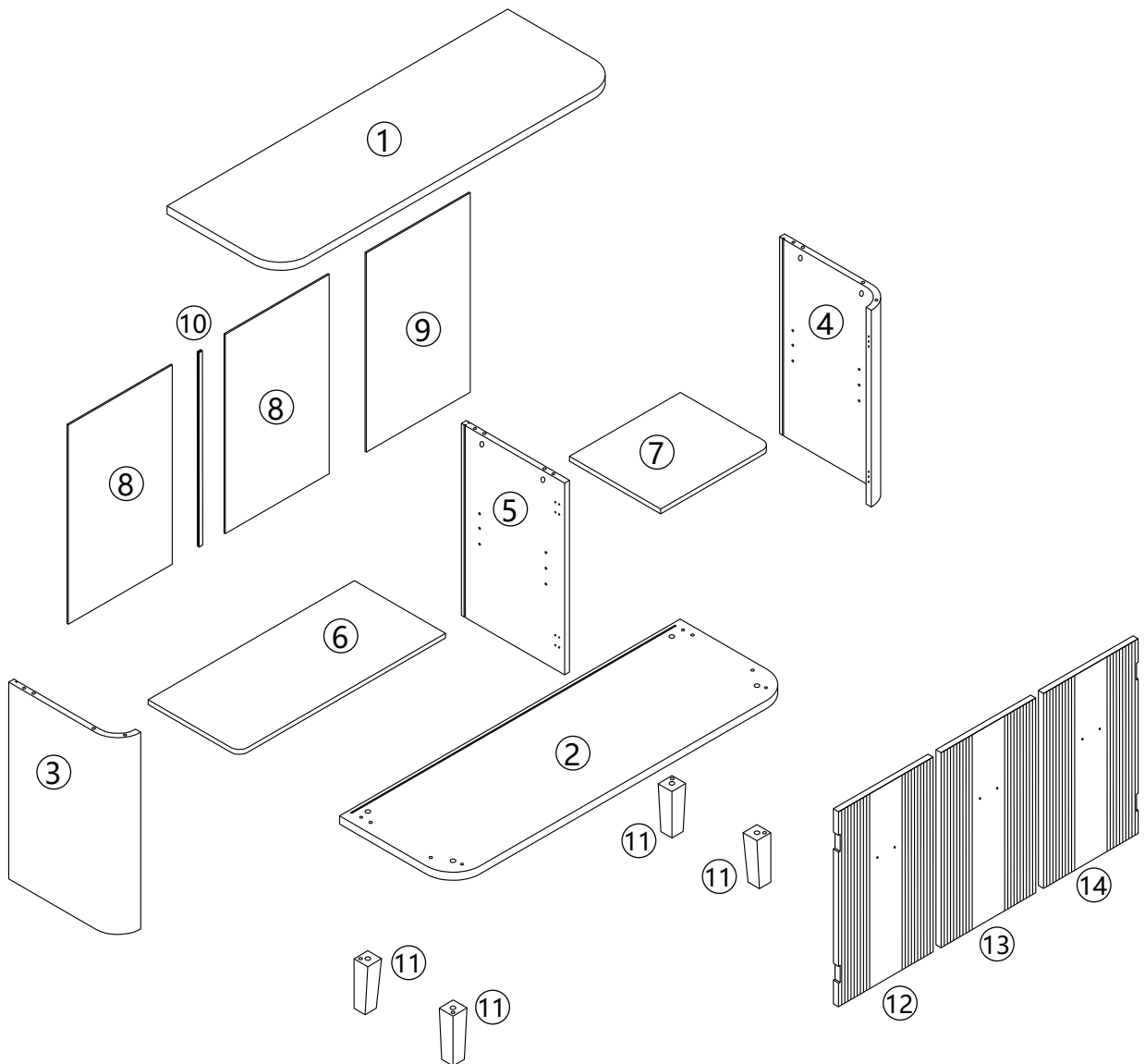
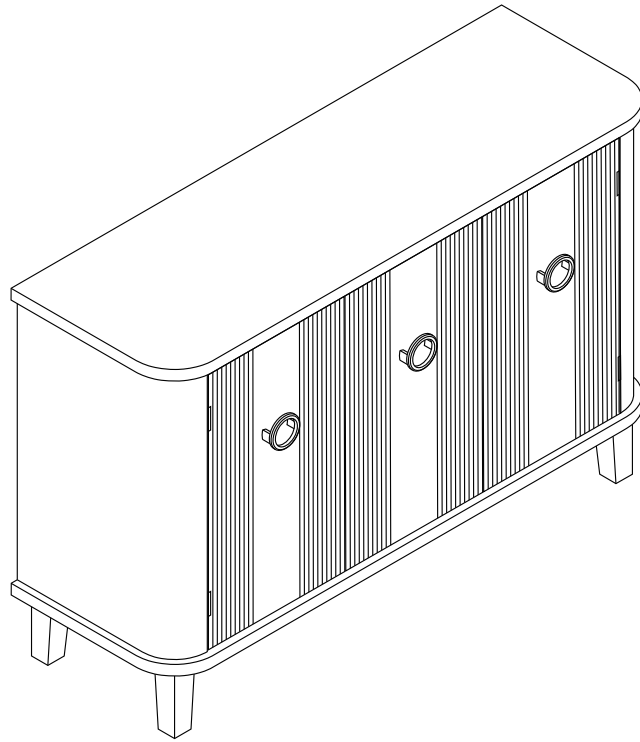
- ⊘  ● Do not put hot items directly on furniture surface
- ⊘  ● Do not clean furniture with harsh cleansers or polish
- ⊘  ● Do not place furniture under direct sunlight
- ⊘  ● Do not place furniture near heating or cooling vents
- ⊘  ● Do not write on furniture without a padded barrier to protect the surface
- ⊘  ● Do not place furniture outside. For indoor use only
- ⊘  ● Not for commercial use. For residential use only
- ⊘  ● Stains may be removed with mild soap solution and damp cloth
- ⊘  ● Children should not climb or jump on the furniture
- ✓  ● Dust and pick-up spills using a clean, non-colored, lint-free cloth

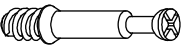

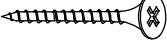
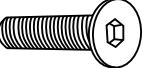


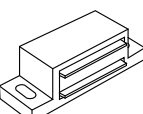
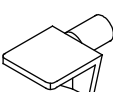
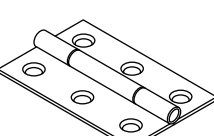
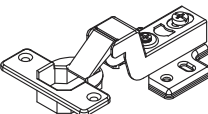
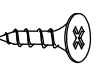

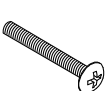
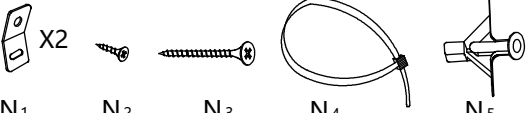
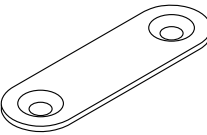


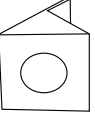
## Caution

- This product contains small components. Please ensure that they are kept away from small children.
- Do not use power tools to assemble your furniture. Power tools may strip or damage the parts.

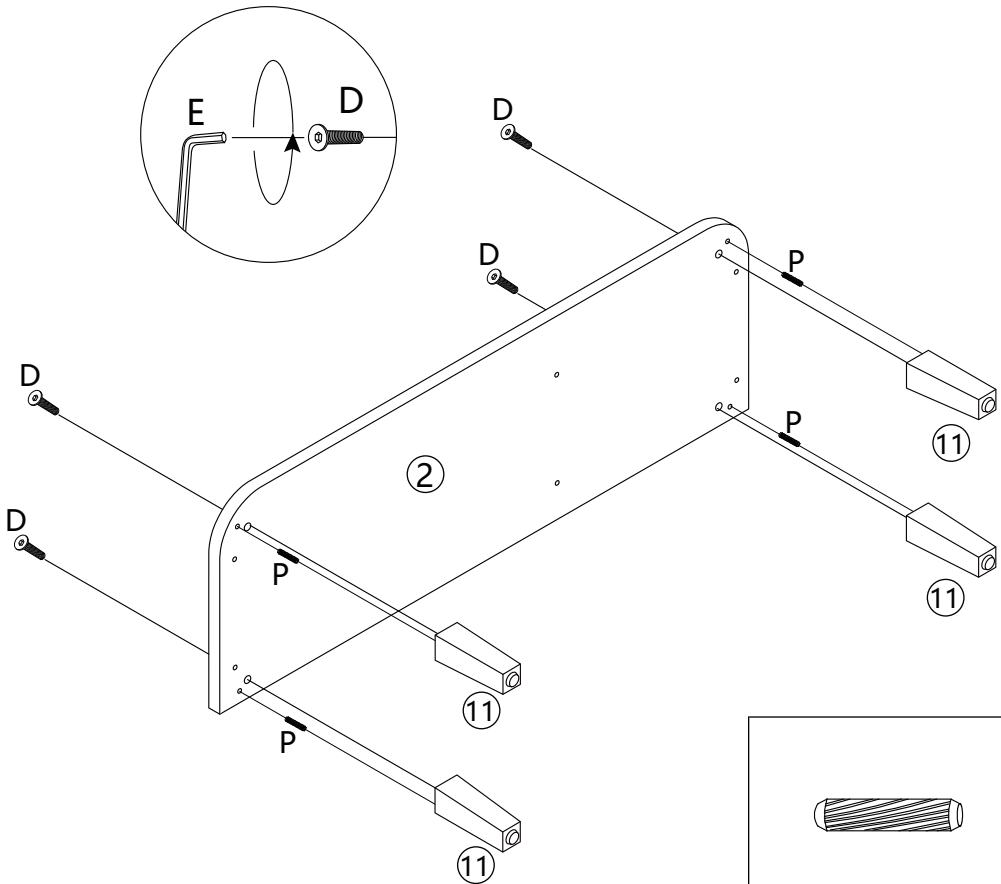



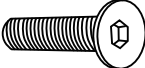
# WF311379



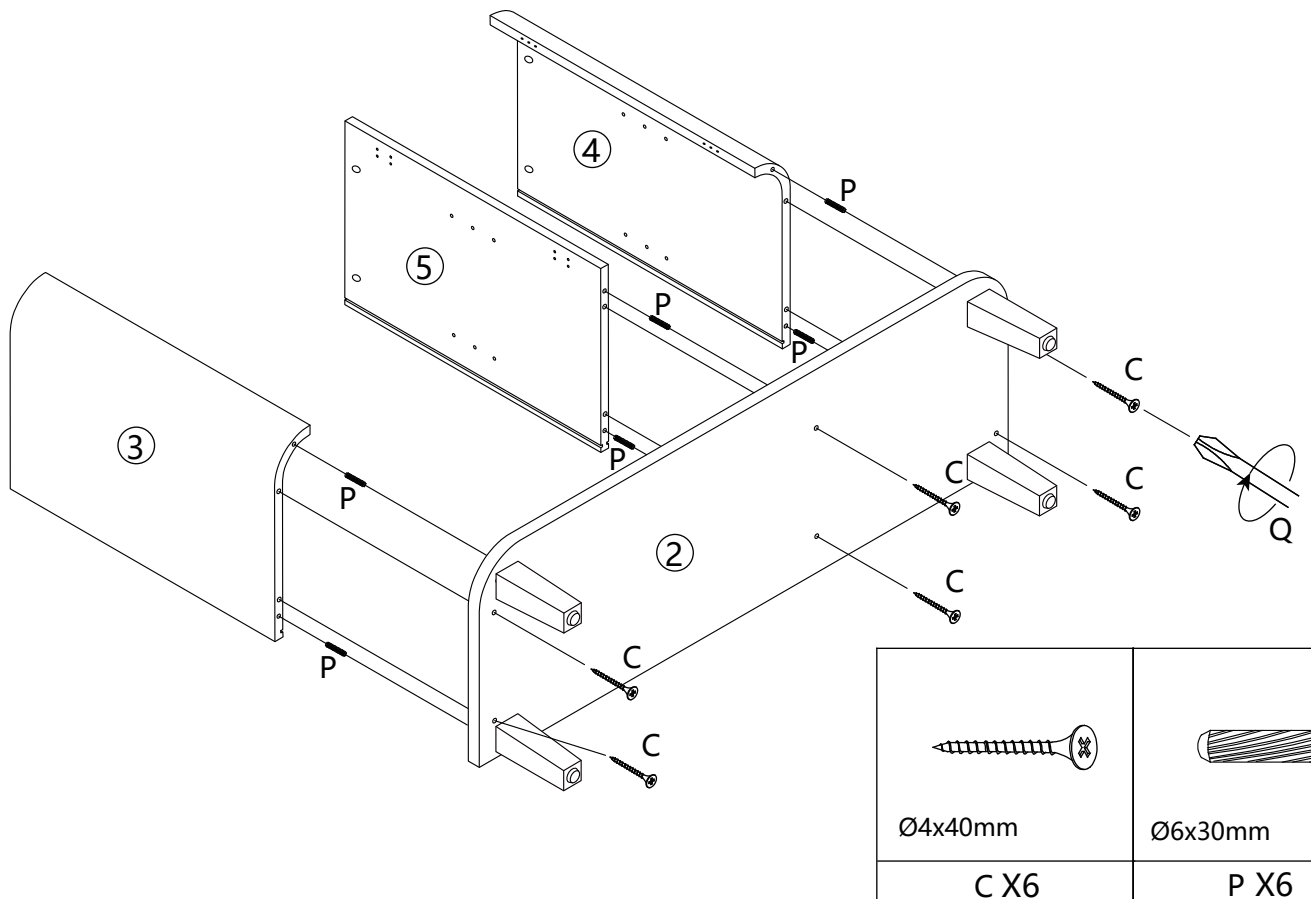
 Ø6x35mm <b>A X6</b>	 Ø15x10mm <b>BX6</b>	 Ø4x40mm <b>CX6</b>	 Ø8x40mm <b>DX4</b>	 <b>EX1</b>
 Ø3x14mm <b>F X48</b>	 <b>GX3</b>	 <b>HX8</b>	 <b>I X4</b>	 <b>J X2</b>
 Ø4x16mm <b>KX12</b>	 <b>LX3</b>	 Ø4x20mm <b>MX6</b>	 <b>N1</b> <b>N2</b> <b>N3</b> <b>N4</b> <b>N5</b> <b>NX1</b>	
 <b>O X3</b>	 Ø6x30mm <b>P X16</b>	 <b>QX1</b>	 <b>R X12</b>	

# STEP 1

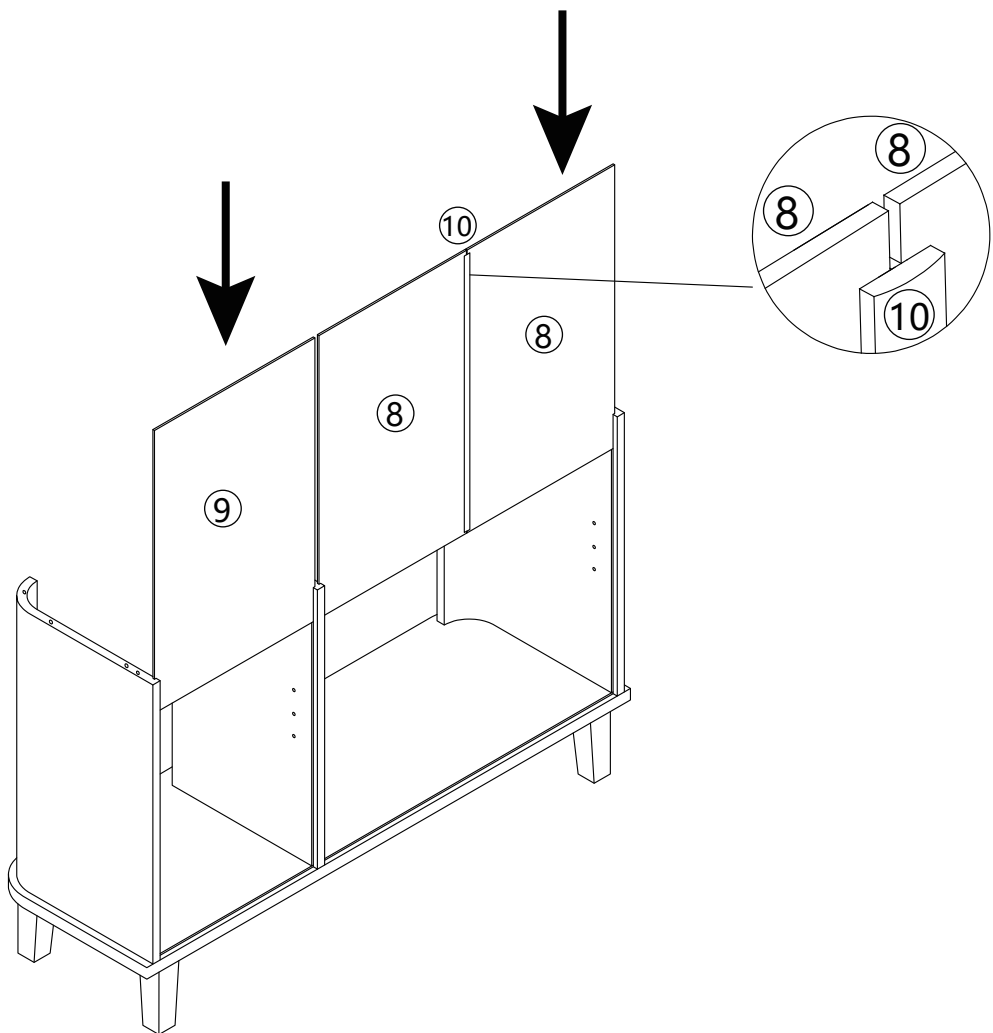


 Ø6x30mm <b>P X4</b>	 Ø8x40mm <b>DX4</b>
---	--

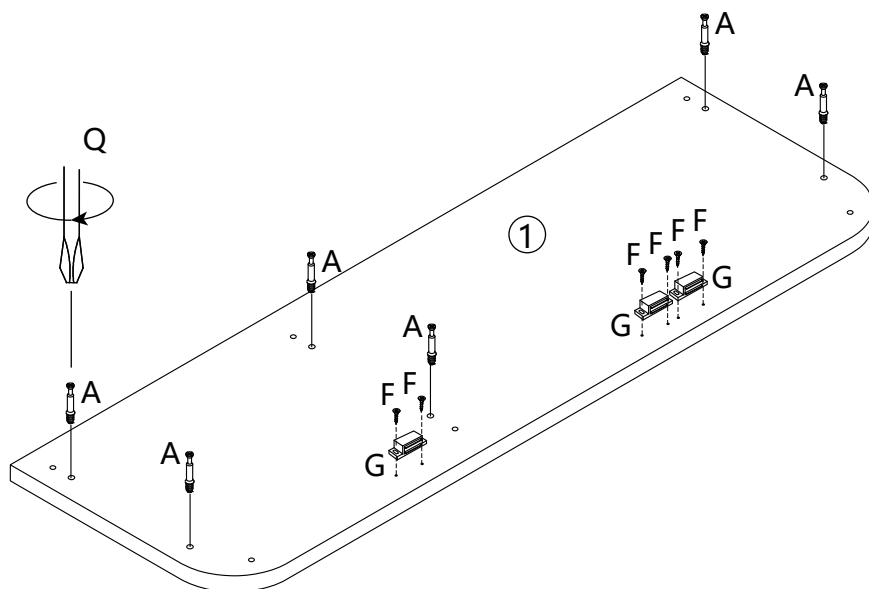
# STEP 2

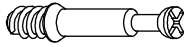

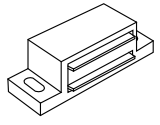


# STEP 3

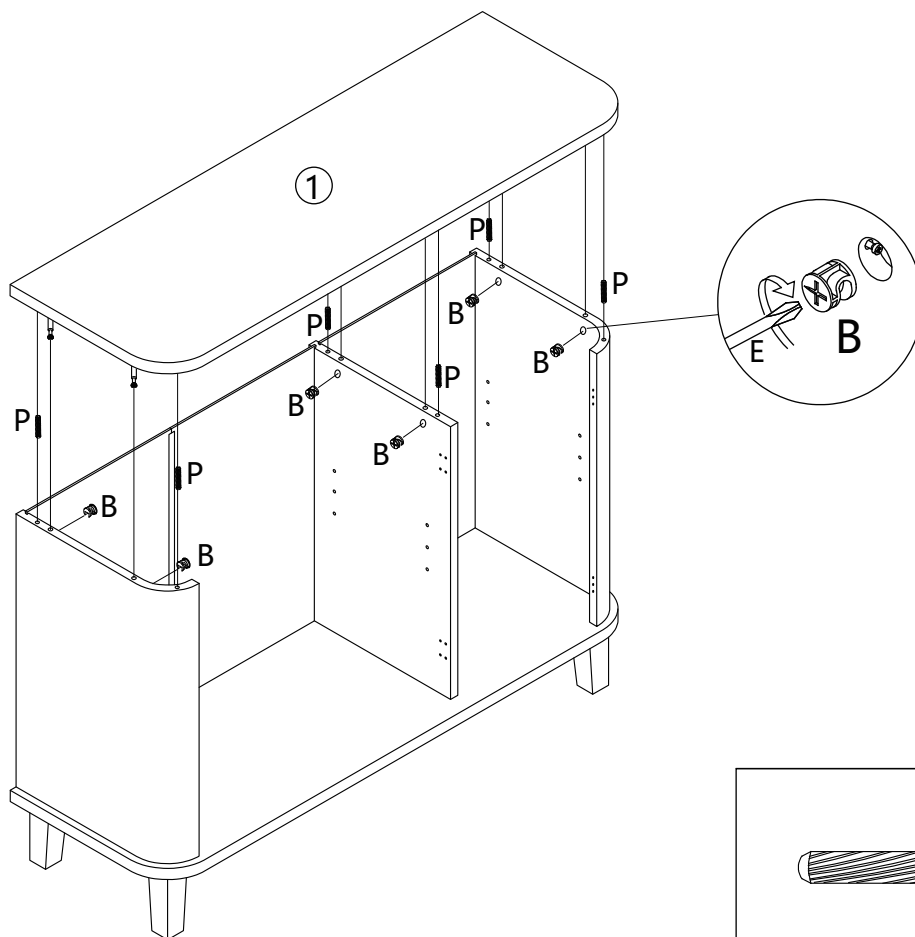




# STEP 4



		
Ø6x35mm	Ø3x14mm	
A X6	F X6	G X3

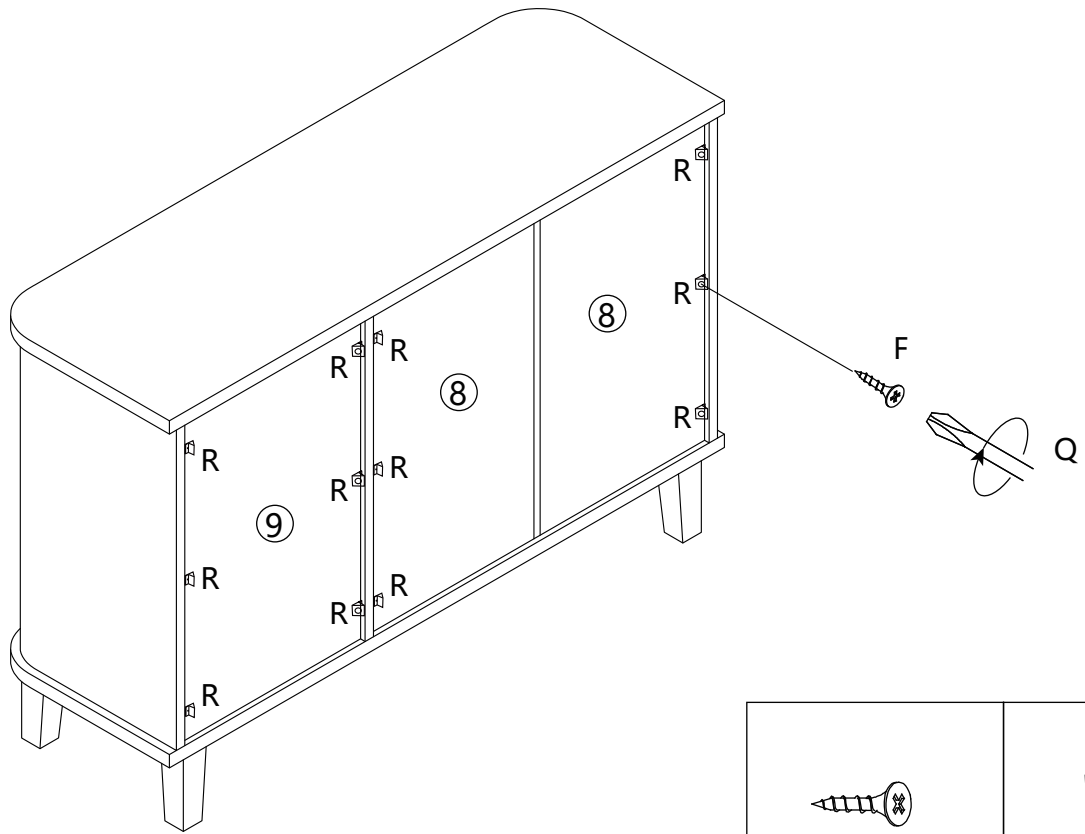
# STEP 5


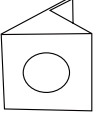


	
Ø6x30mm	Ø15x10mm
P X6	B X6

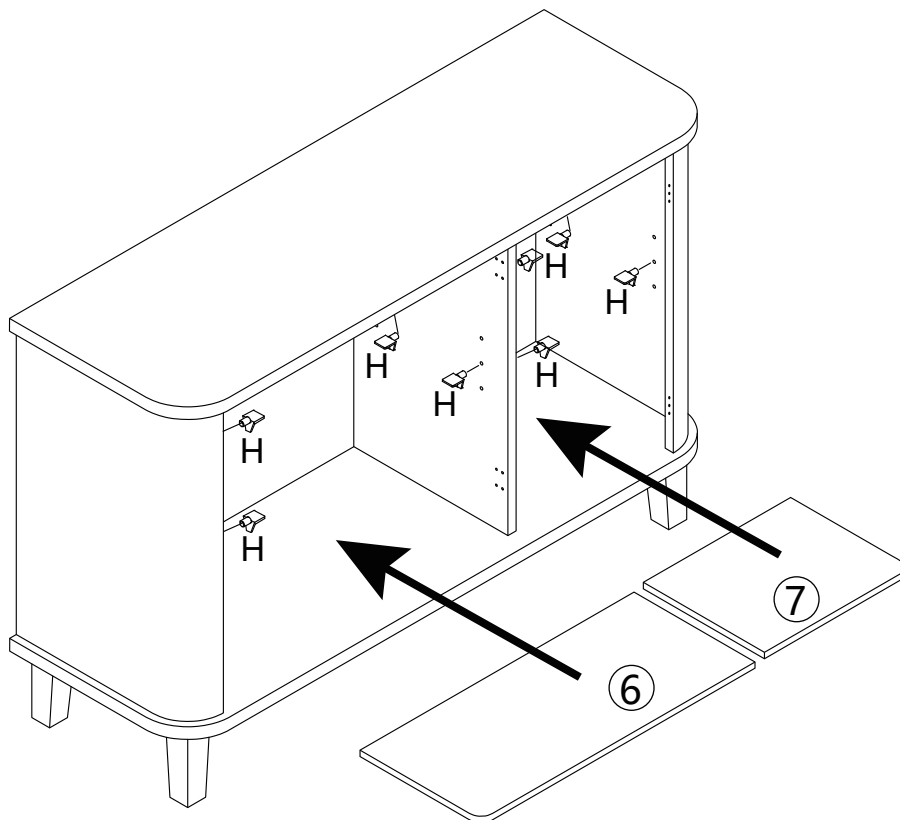


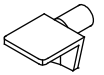
# STEP 6



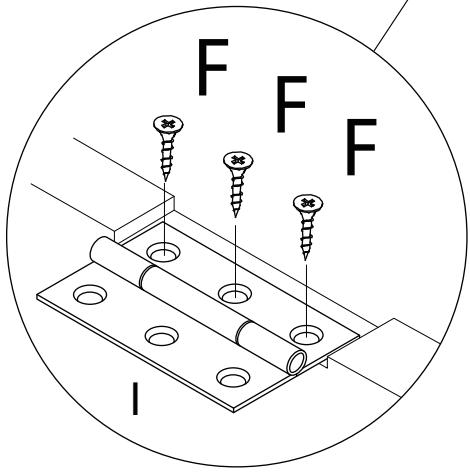
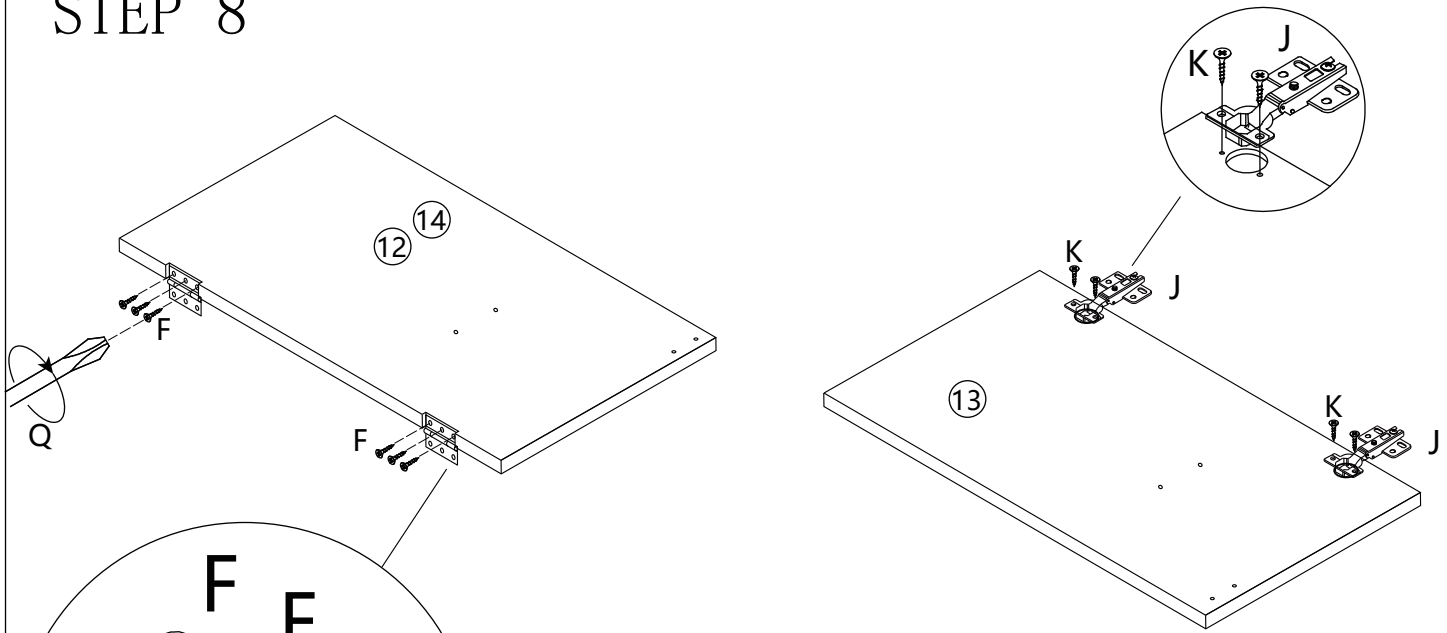
	
Ø3x14mm	
F X12	R X12


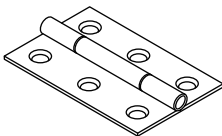

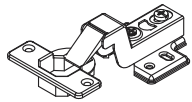
# STEP 7



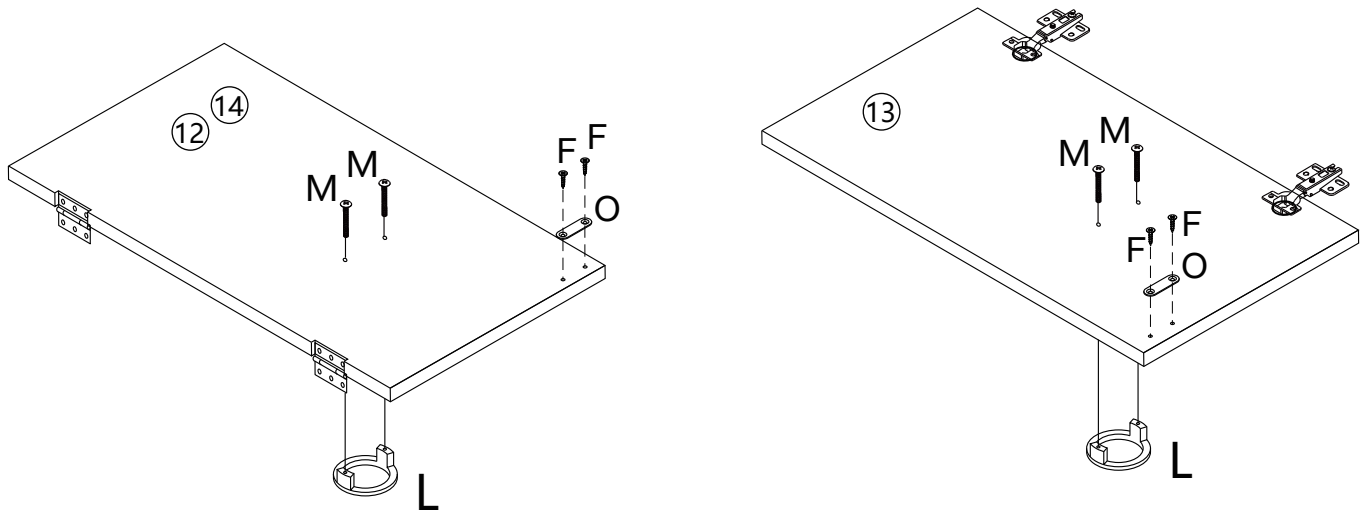

HX8

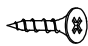
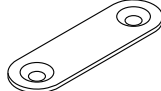
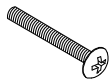
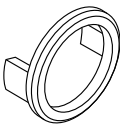
# STEP 8



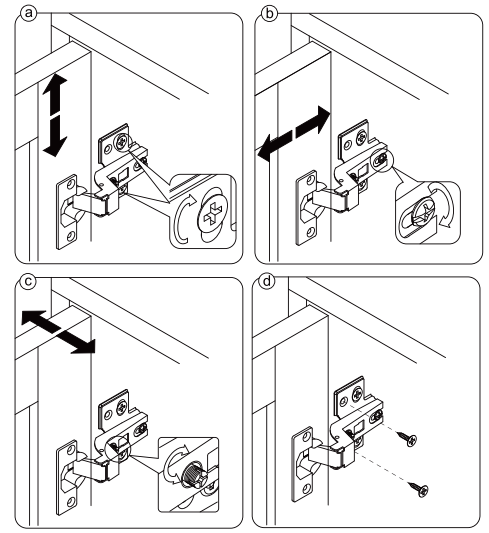
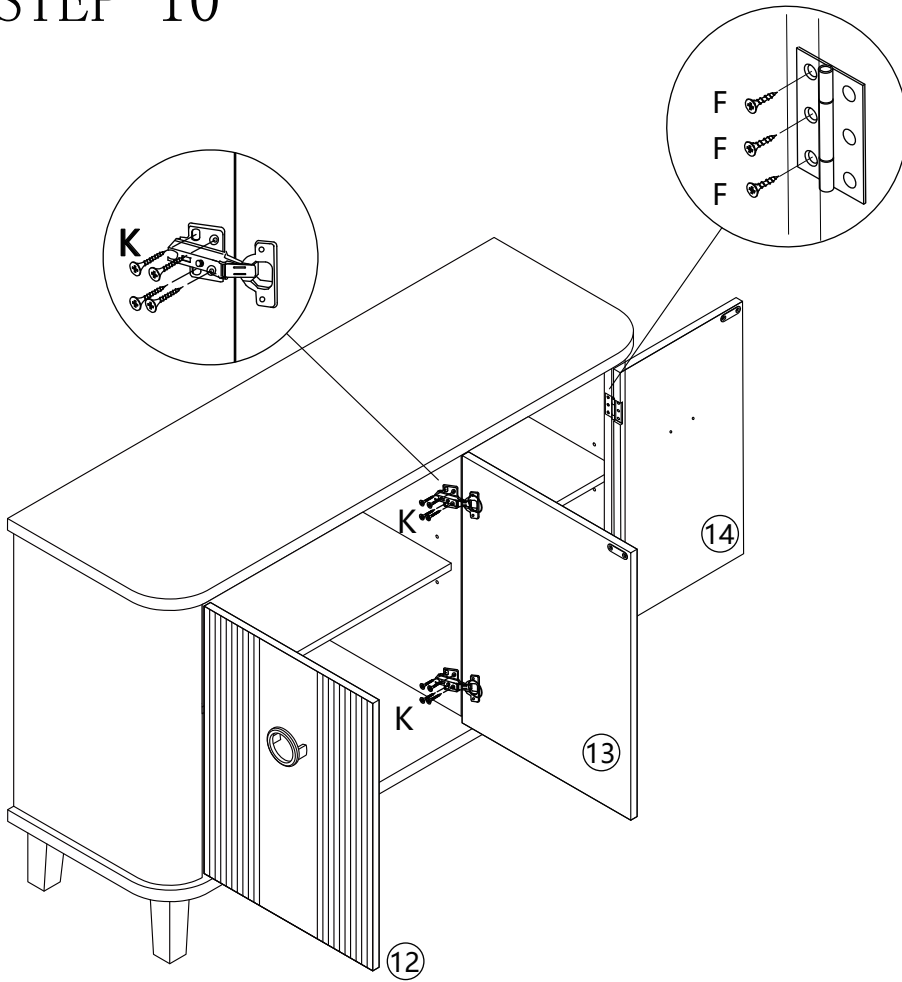
			
Ø3X14mm		Ø4x16mm	
F X12	I X4	K X4	J X2


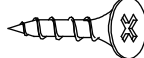
# STEP 9



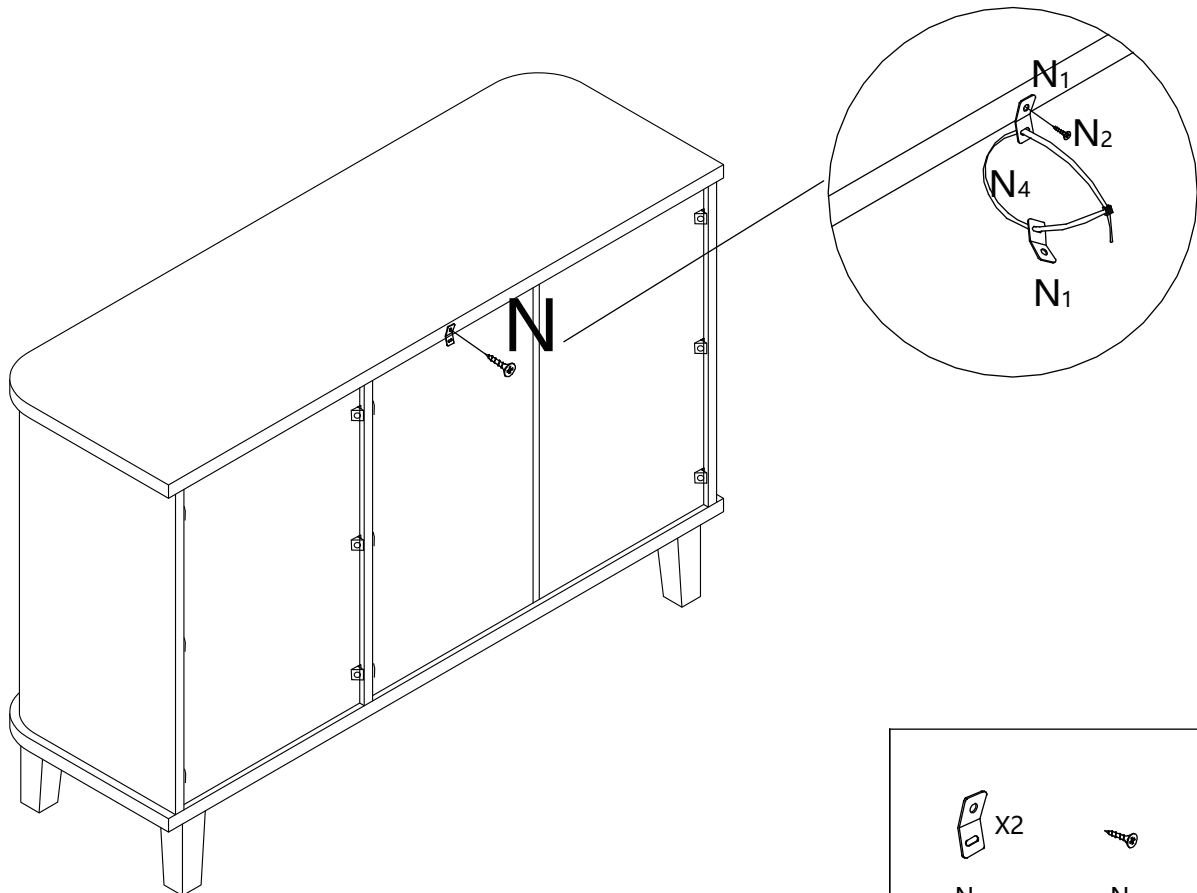
			
Ø3x14mm		Ø4x28mm	
F X6	O X3	MX6	LX3



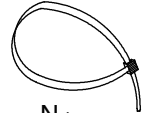
# STEP 10



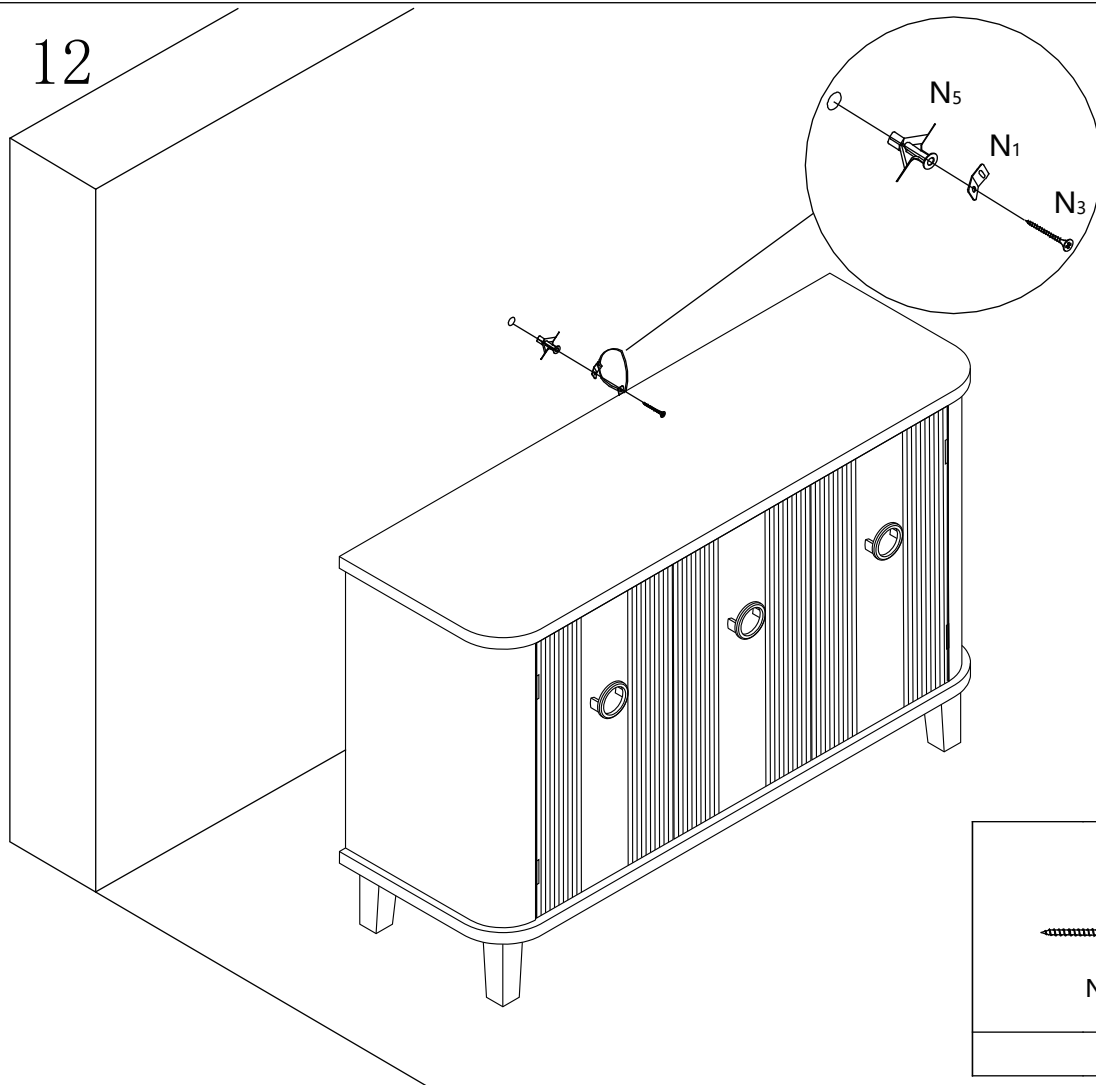
	
Ø3X14mm	Ø4x16mm
F X12	K X8

# STEP 11



 X2		
N <sub>1</sub>	N <sub>2</sub>	N <sub>4</sub>
NX1		

# STEP 12

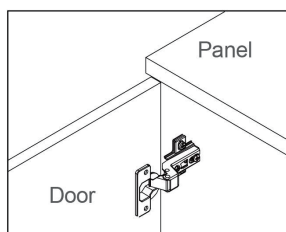


## Assembly Steps(EN) / Montageschritte(DE)

HOW TO ADJUST THE HINGES TO ALIGN THE DOORS IF NEEDED.

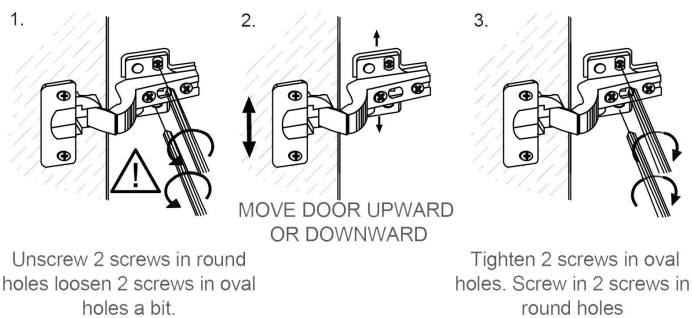
### STEP 1

Open the door.



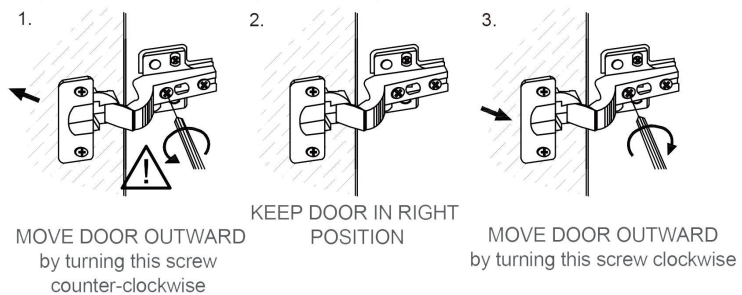
### STEP 2

Adjust the door panels up or down



### STEP 3

Adjust the flush between door panel and side panel



### STEP 4

Adjust the Gap between door panel and side panel

