

ASSEMBLY INSTRUCTIONS

SKU NO. : WF312995

DESCRIPTION : CONSOLE TABLE 3 DRAWERS

IMPORTANT NOTE

****PLACE ALL PARTS ON A CLEAN AND SMOOTH SURFACE SUCH AS A RUG OR CARPET TO AVOID THE PARTS FROM BEING SCRATCHED**

****BEFORE YOU BEGIN, KINDLY FOLLOW THE ASSEMBLY INSTRUCTIONS STEP BY STEP**

****DO NOT TIGHTEN ALL SCREWS AND BOLTS UNTIL THE CABINET IS FULLY SET-UP**



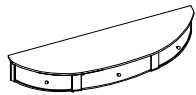


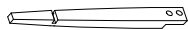

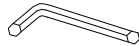

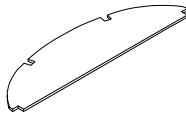
PLEASE DO NOT RETURN PRODUCT TO THE STORE

ASSEMBLY INSTRUCTIONS

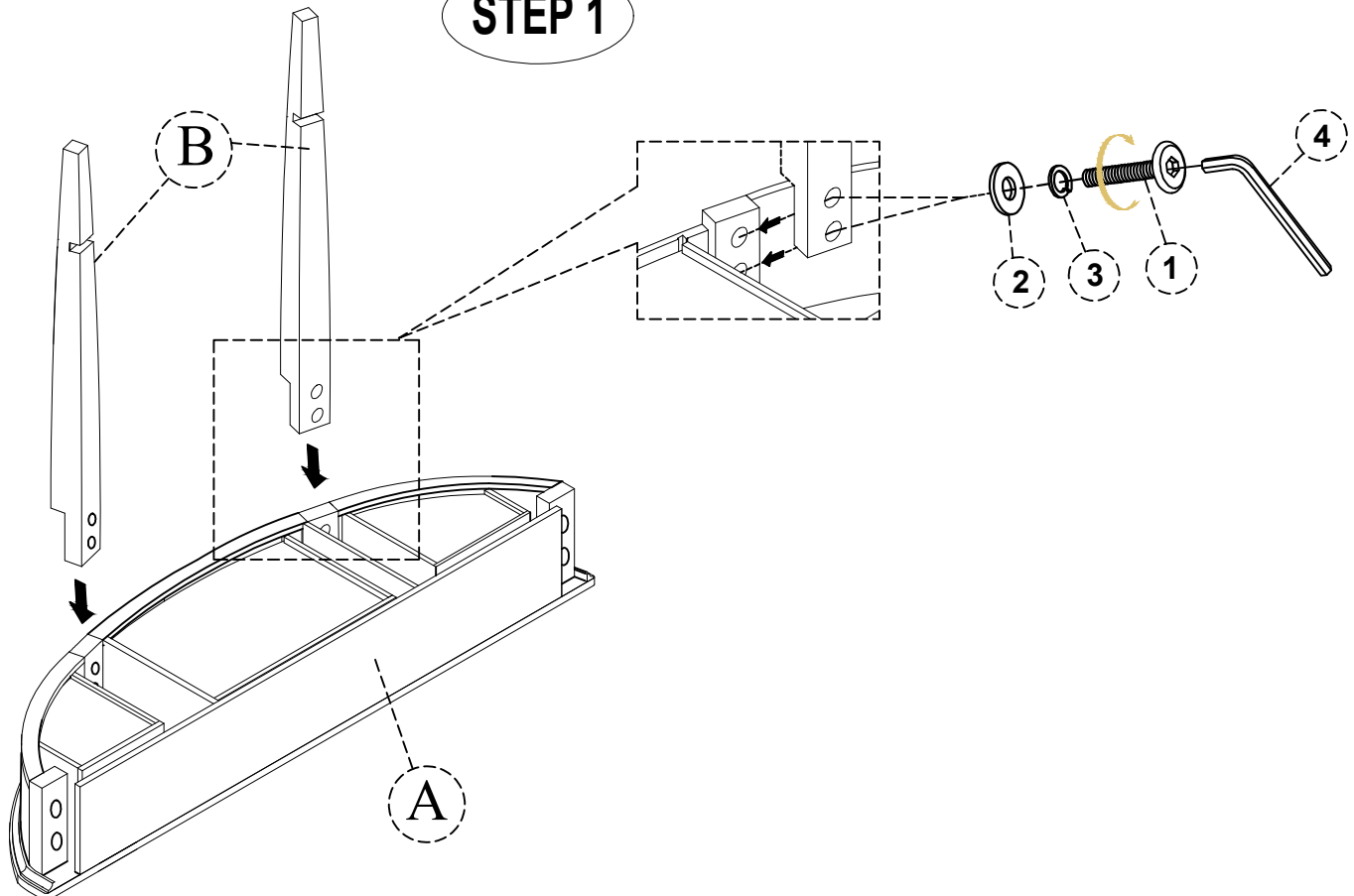
SKU NO. : WF312995

DESCRIPTION : CONSOLE TABLE 3 DRAWERS

CARTONS ONLY ONE / HARDWARE LIST

PART LISTS				HARDWARE LIST			
NO	DESCRIPTION	SKETCH	Q'TY	NO	DESCRIPTION	SKETCH	Q'TY
A	TOP TABLE		1 PC	1	BOLT Ø1/4*30mm		8 PCS
				2	WASHER Ø1/4*19mm		8 PCS
B	LEGS		2 PCS	3	SPRING WASHER Ø1/4"*11mm		8 PCS
				4	ALLEN KEY M4*60mm		1 PC
C	LEGS		2 PCS				
D	TABLE BASE		1 PC				

STEP 1

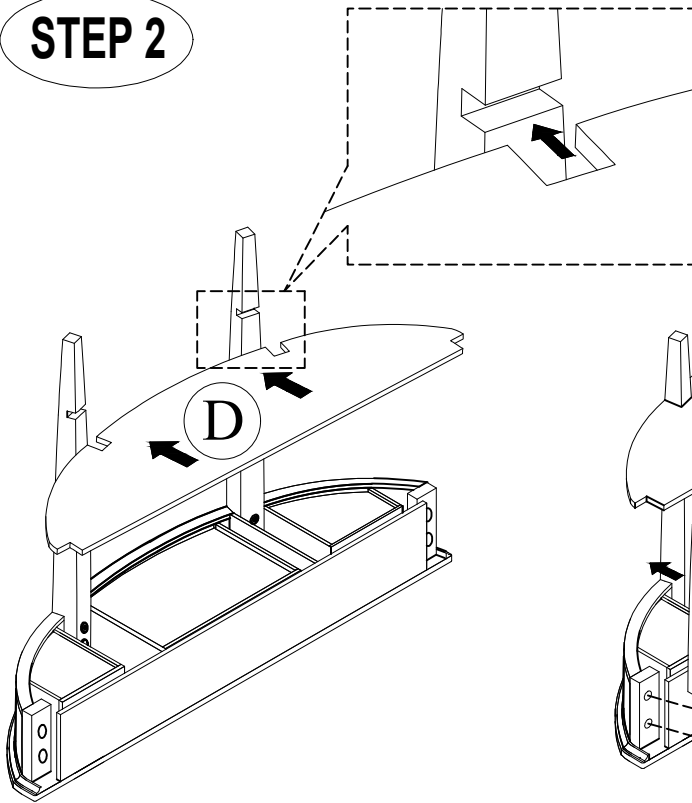


ASSEMBLY INSTRUCTIONS

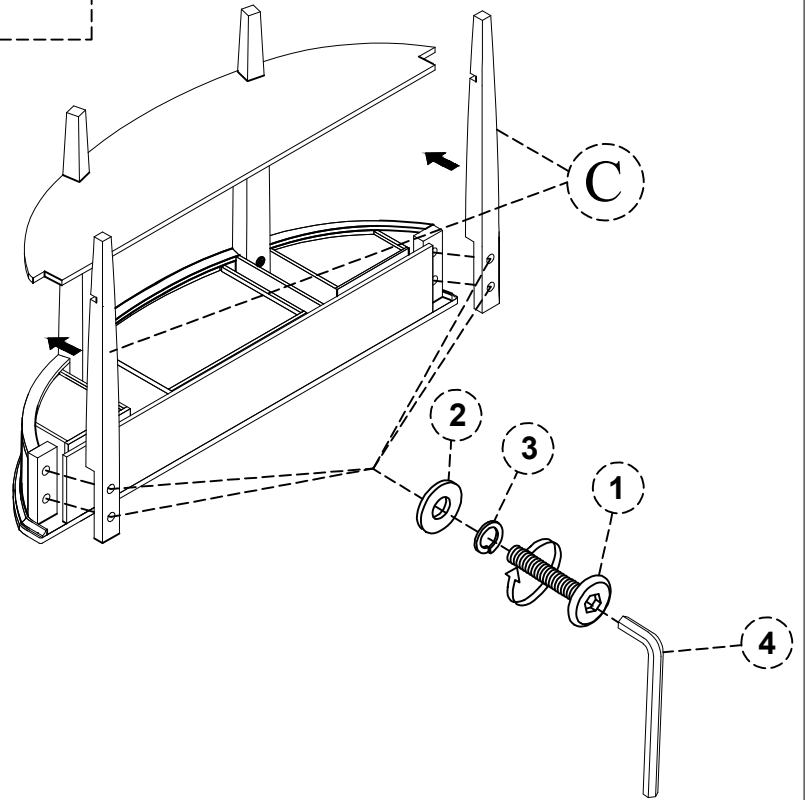
SKU NO. : WF312995

DESCRIPTION : CONSOLE TABLE 3 DRAWERS

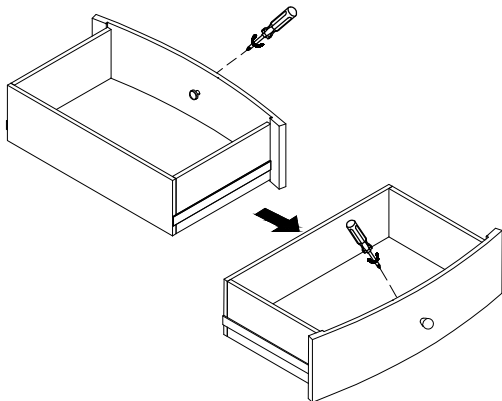
STEP 2



STEP 3



STEP 4



COMPLETE

