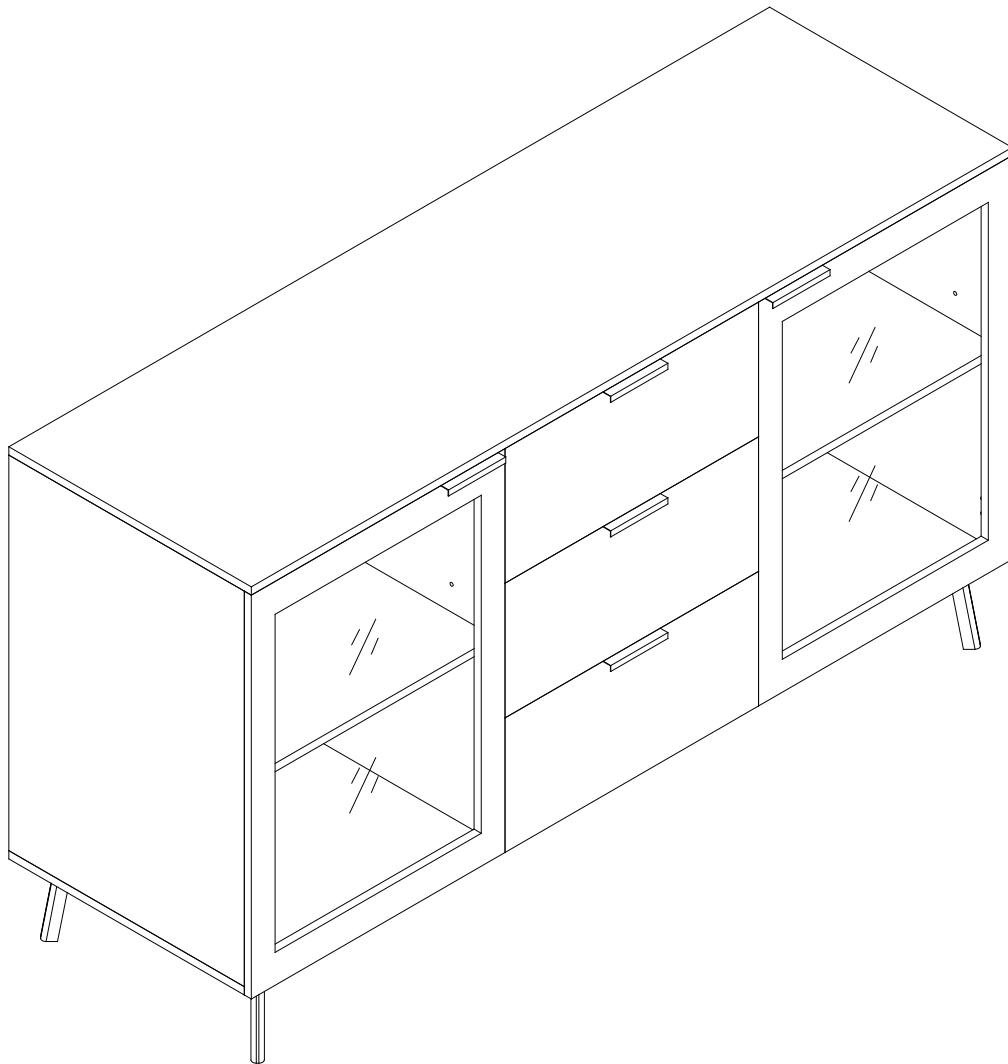
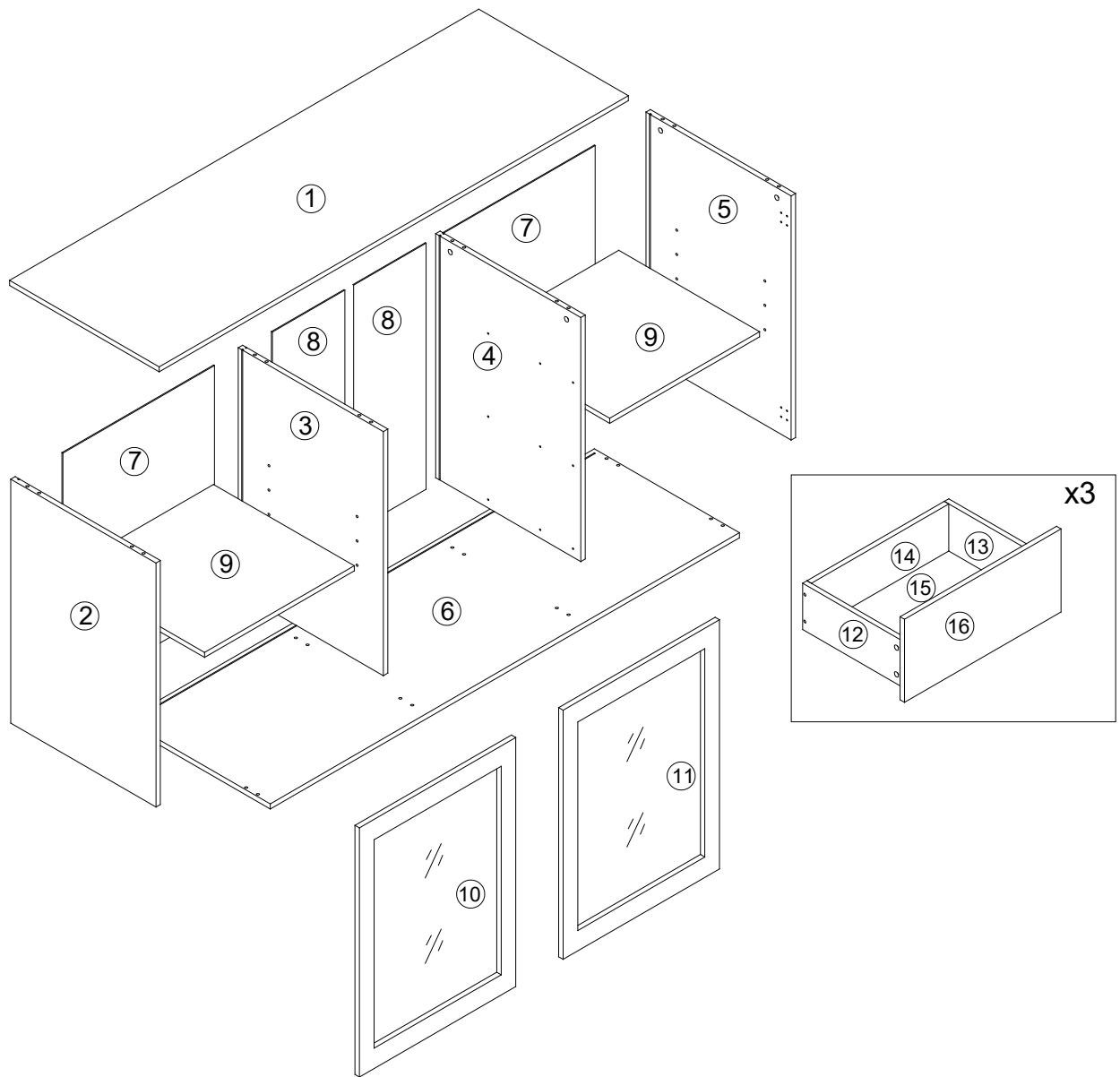
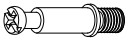
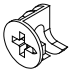
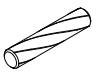
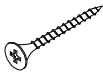

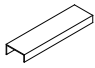
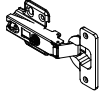
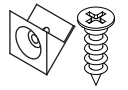

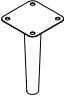
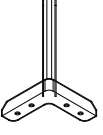


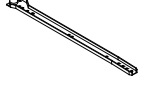
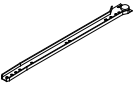
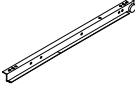
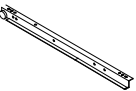






ASSEMBLY INSTRUCTION

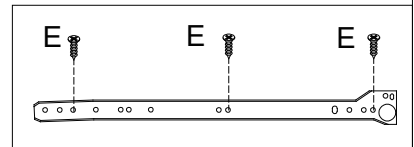
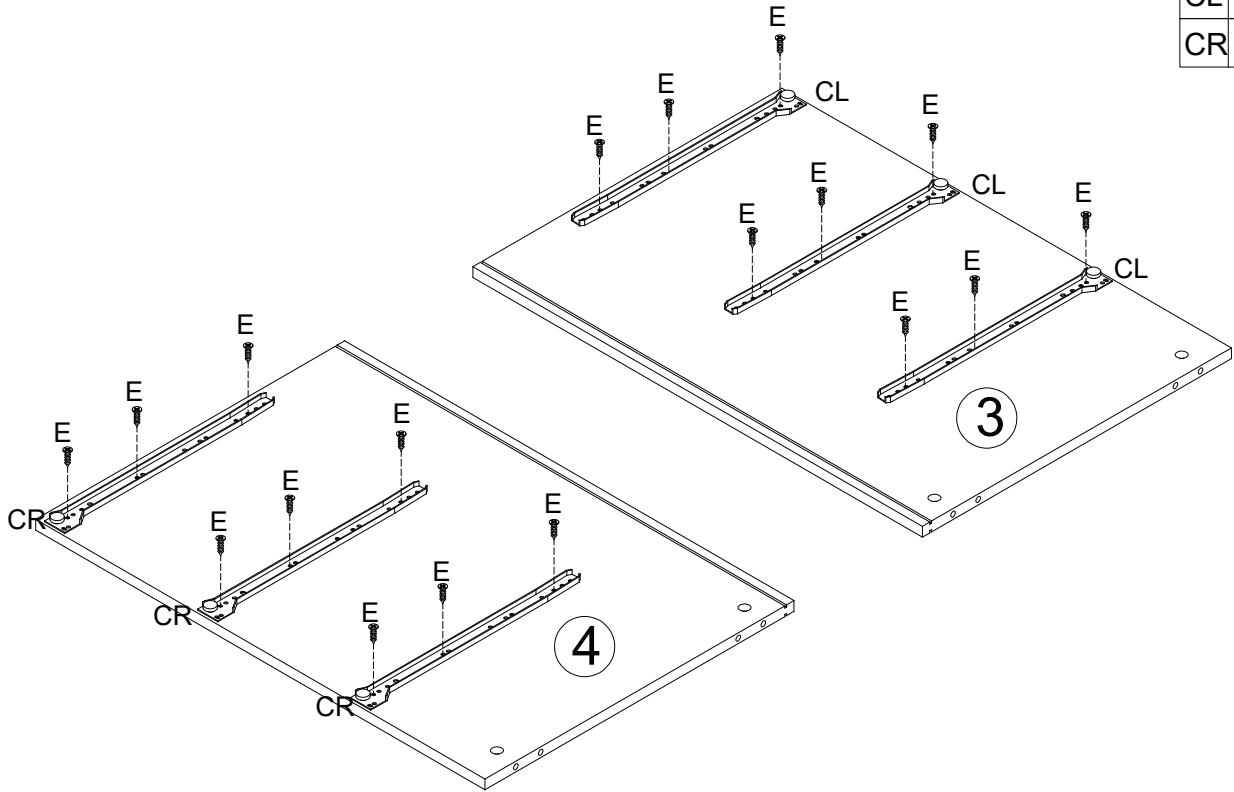




 A x 20	 B x 20	 6x30mm C x 22	 4x40mm D x 20	 3.5x12mm E x 46	 F x 5	 G x 4
 3x16mm H x 18	 I x 24	 J x 1	 K x 4	 L x 8	 4x12mm M x 24	 CL x 3
 CR x 3	 DL x 3	 DR x 3	 N x 1			

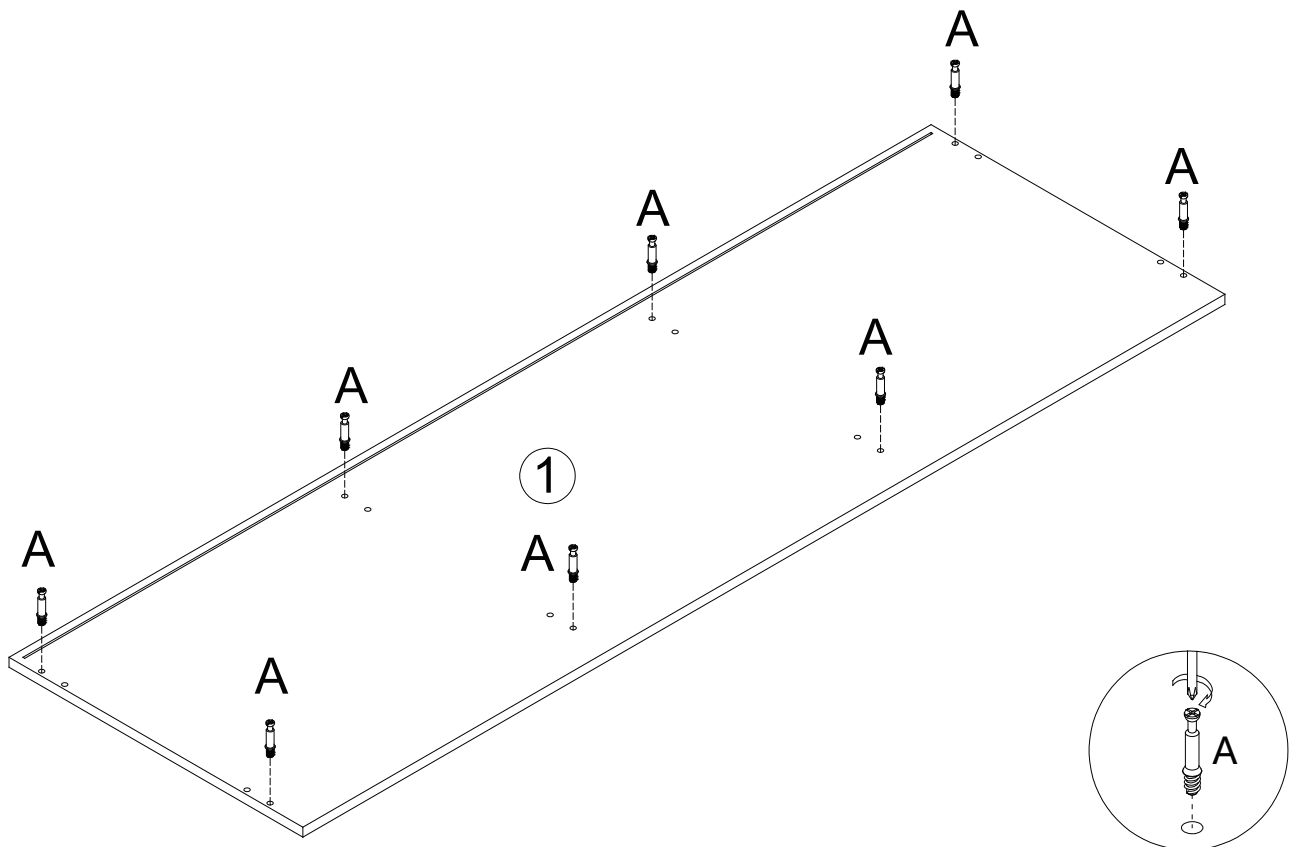
STEP 1

E		18
CL		3
CR		3





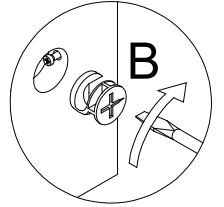
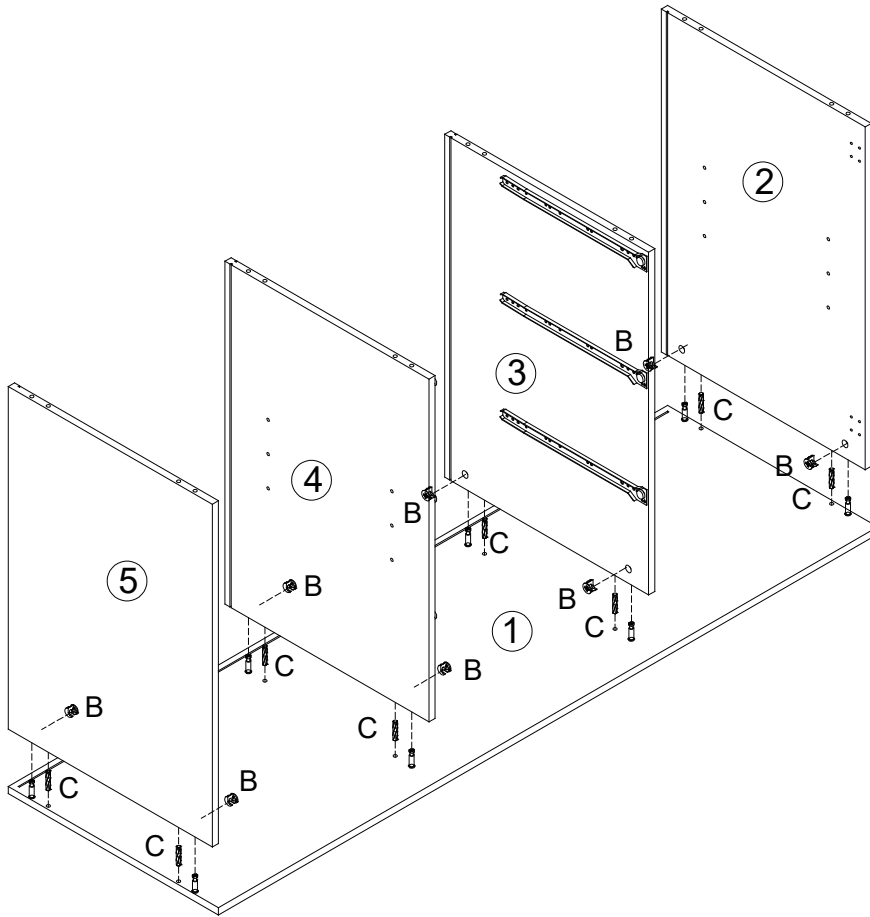
STEP 3

A		8
---	---	---



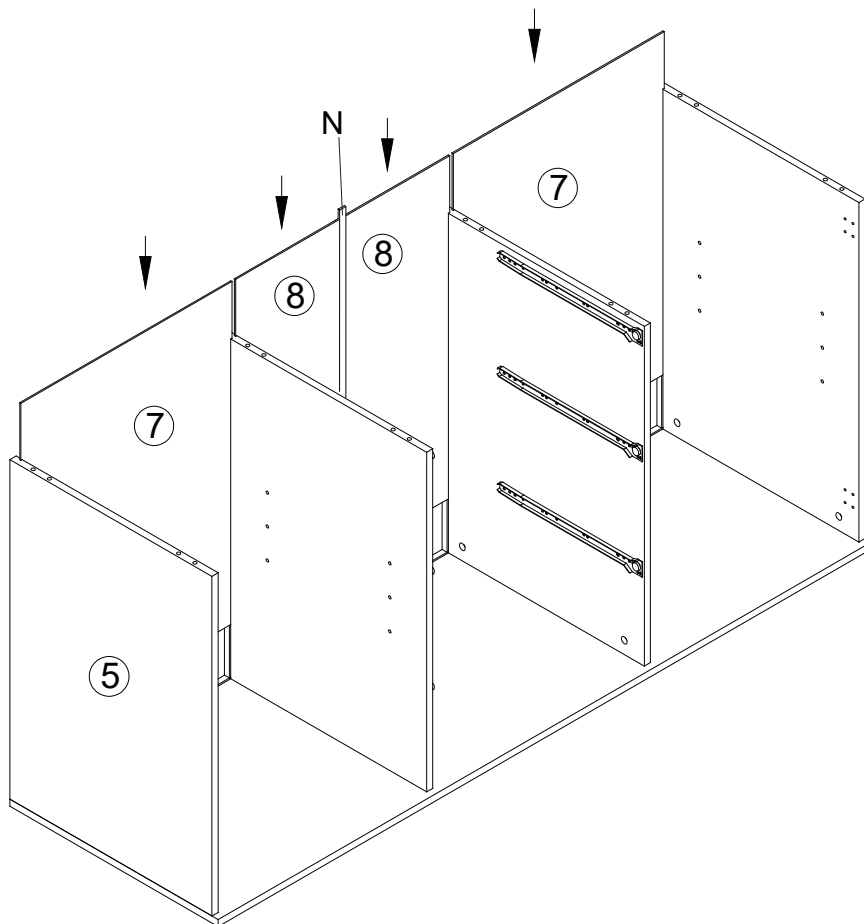
STEP 3

B		8
C		8

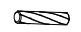
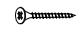


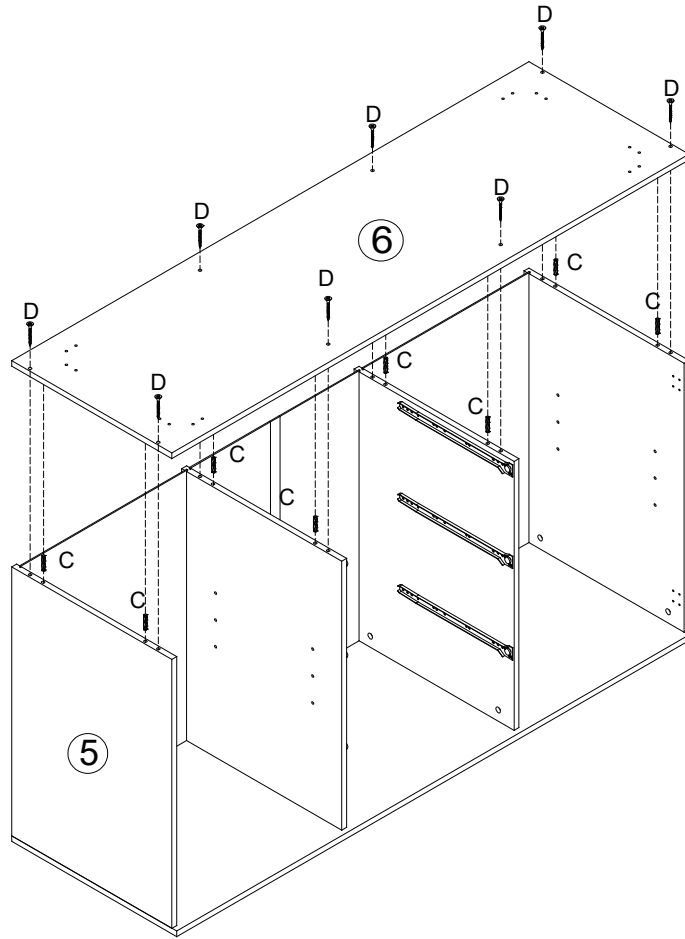
STEP 4

N		1
---	---	---






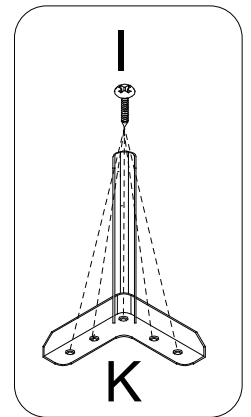
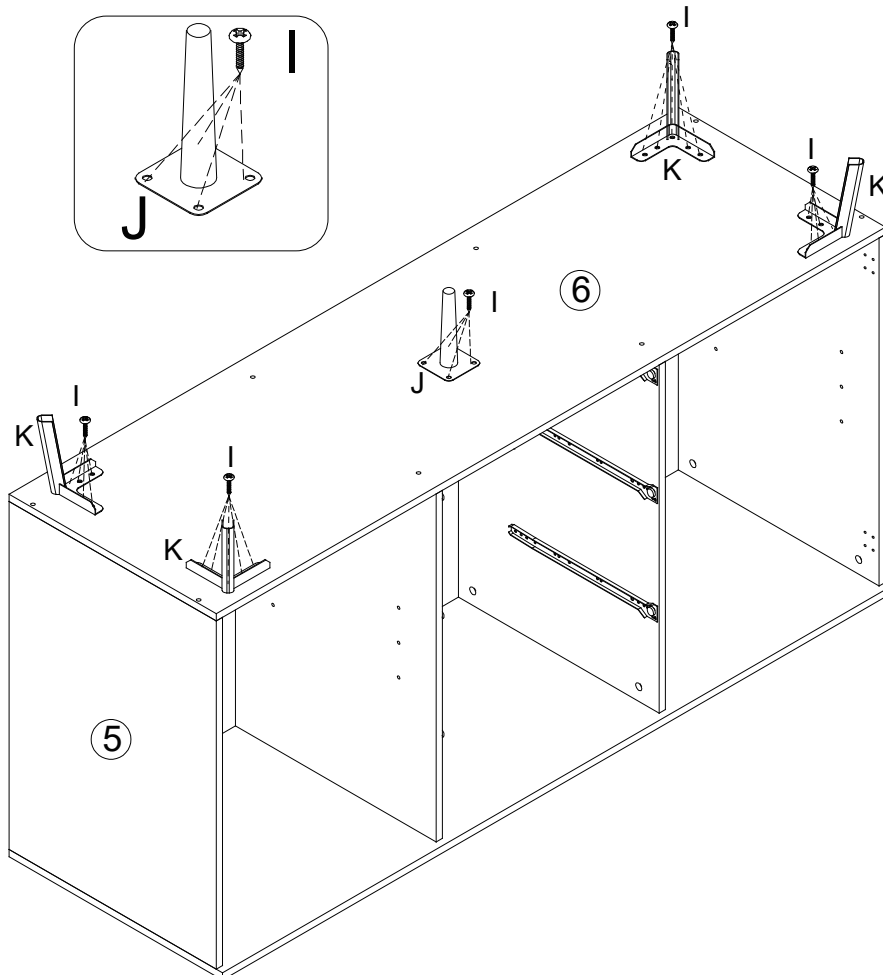
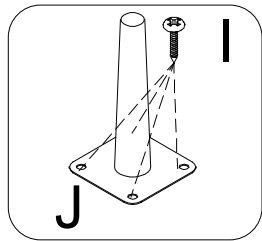
STEP 5

C		8
D		8



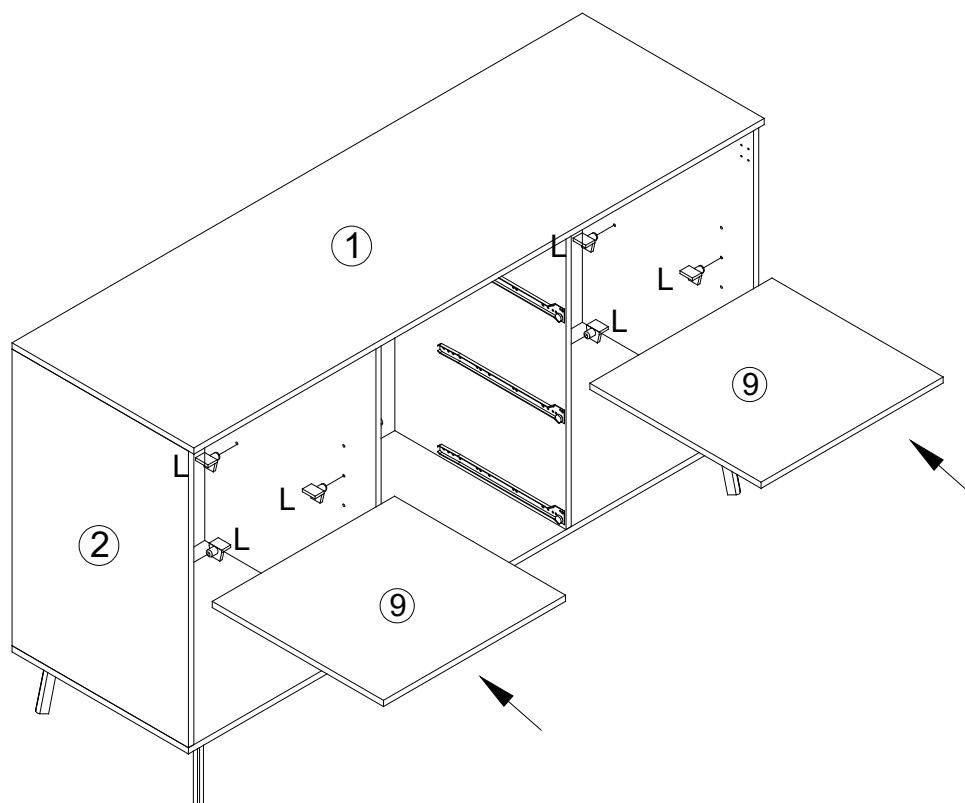
STEP 6

I		24
J		1
K		4







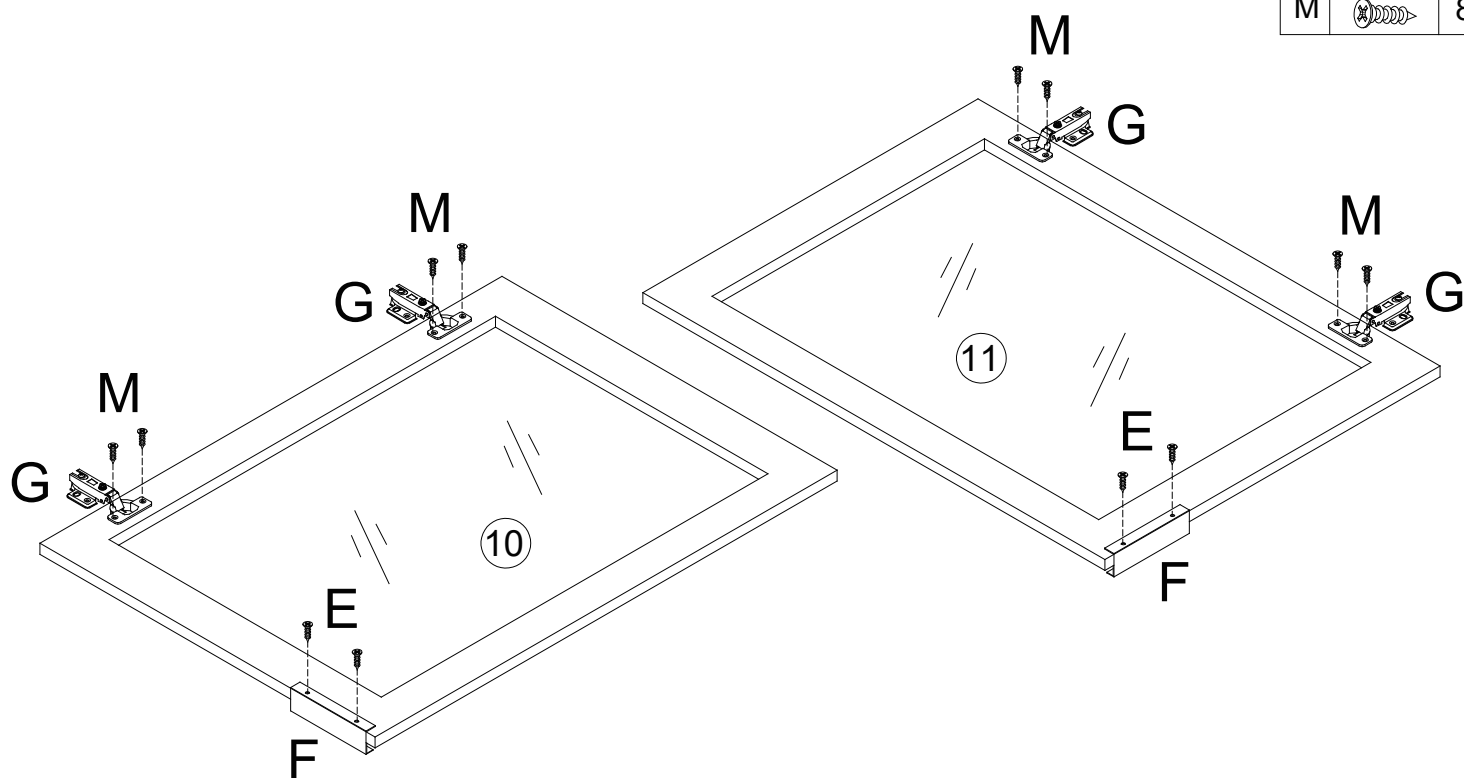
STEP 7

L		8
---	---	---

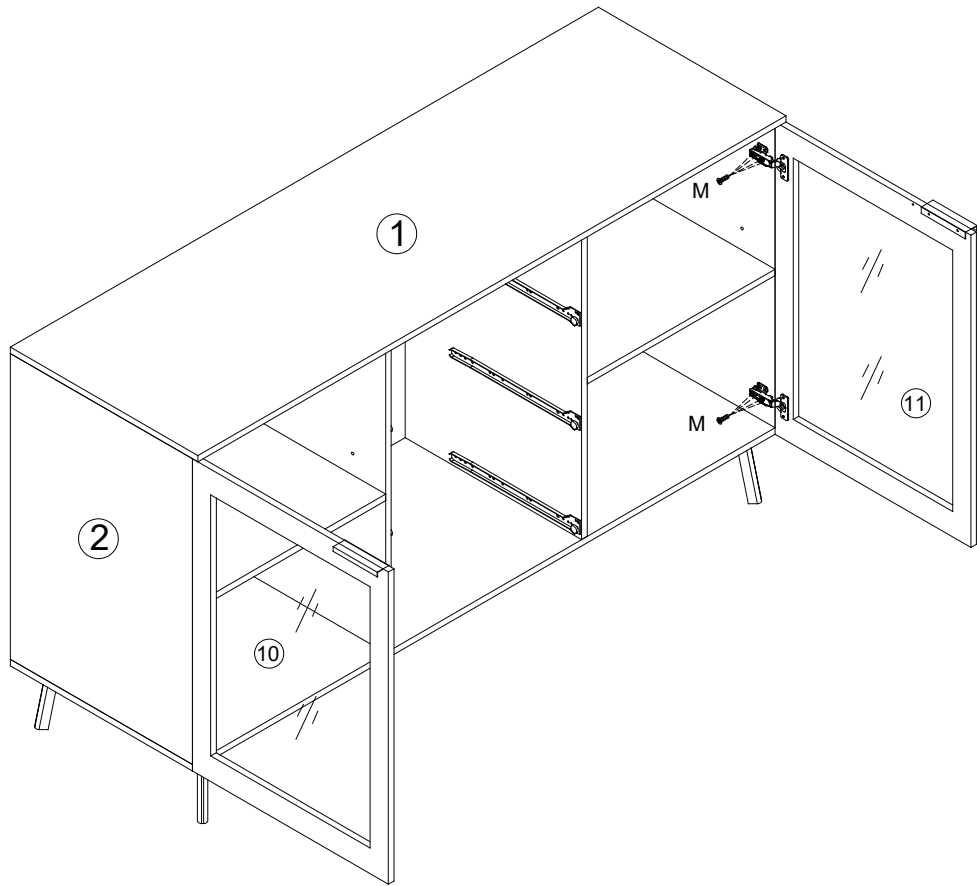


STEP 8

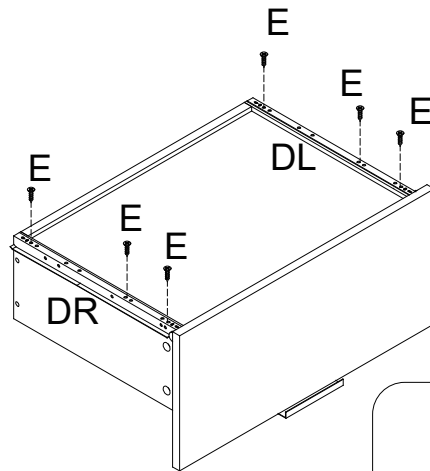
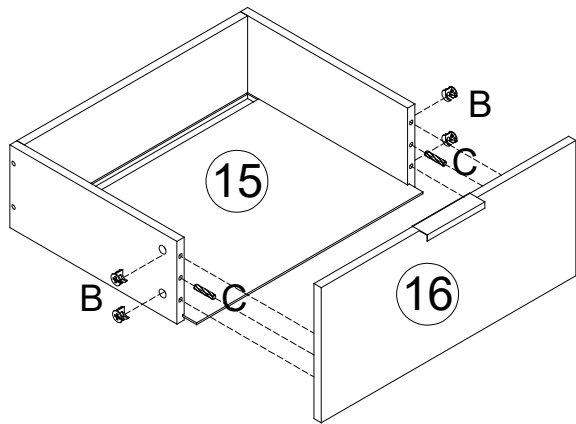
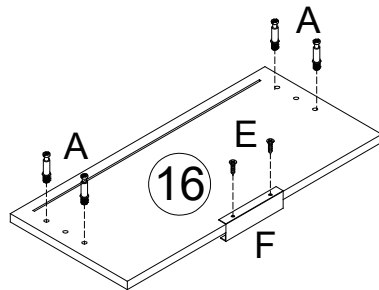
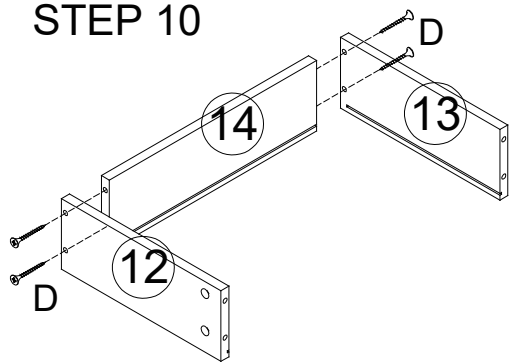
E		4
F		2
G		4
M		8




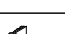

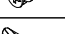




STEP 9

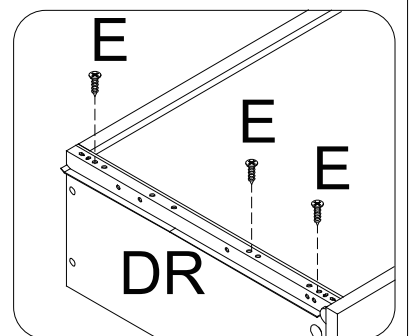


STEP 10

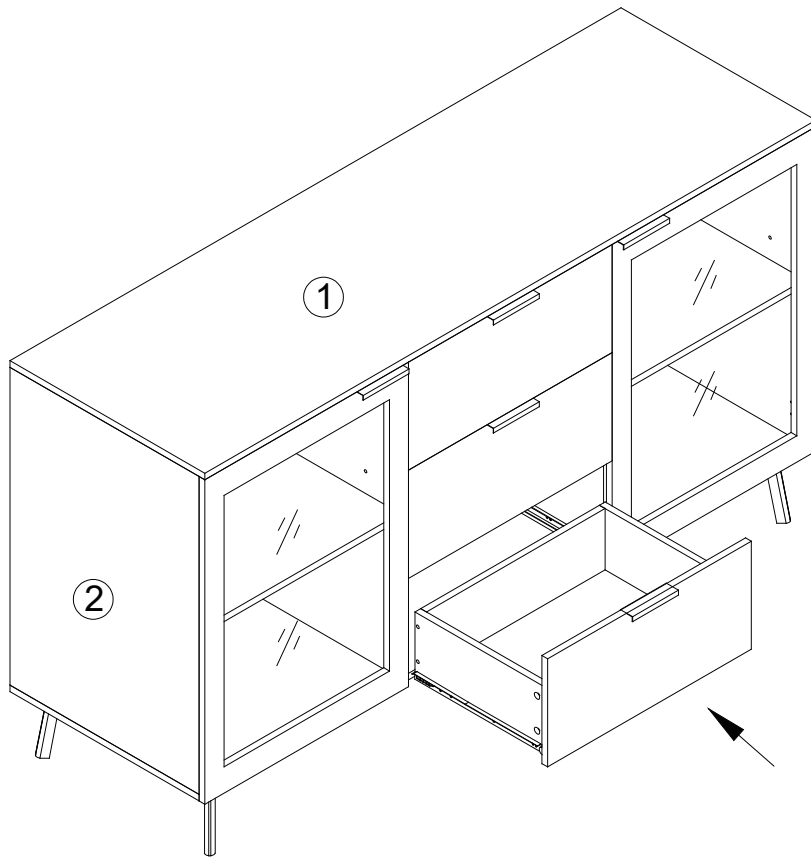


x3

E		24	A		12
F		3	B		12
			C		6
			D		12
			DL		3
			DR		3



STEP 11



STEP 12

H  18

