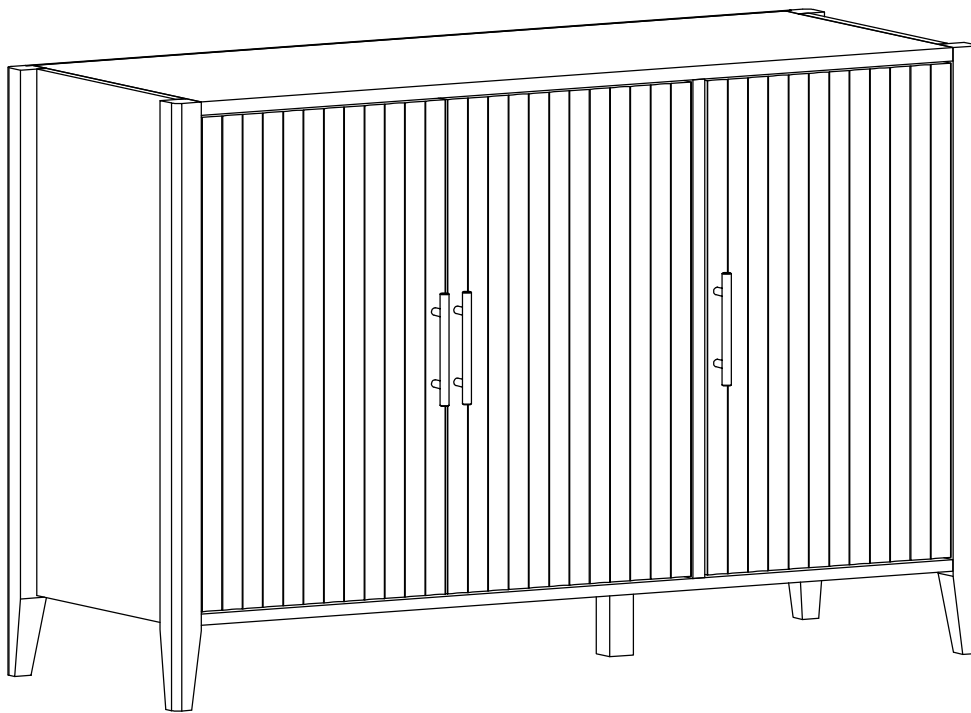
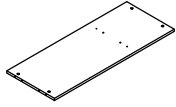
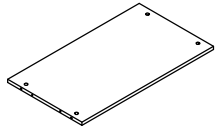
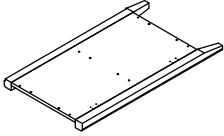

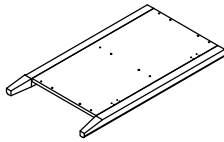
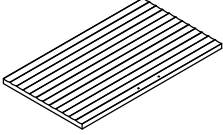
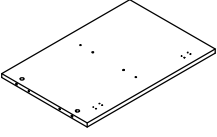
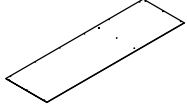
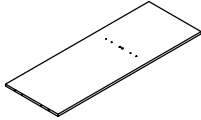
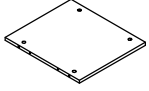


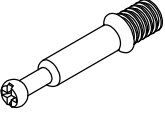

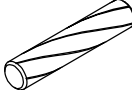
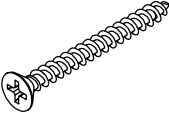
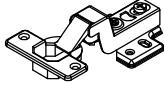

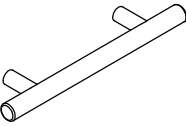
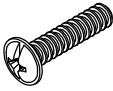
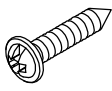
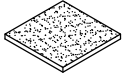
SKU:WF308089



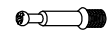
PARTS LIST

NO	DESCRIPTION	SKETCH	QTY	NO	DESCRIPTION	SKETCH	QTY
①	Top panel		1pc	⑥	Fixed shelf		1pc
②	Left side frame		1pc	⑦	Leg		1pc
③	Right side frame		1pc	⑧	Door		3pcs
④	Center divided panel		1pc	⑨	Back panel		2pcs
⑤	Bottom panel		1pc	⑩	Fixed shelf		1pc

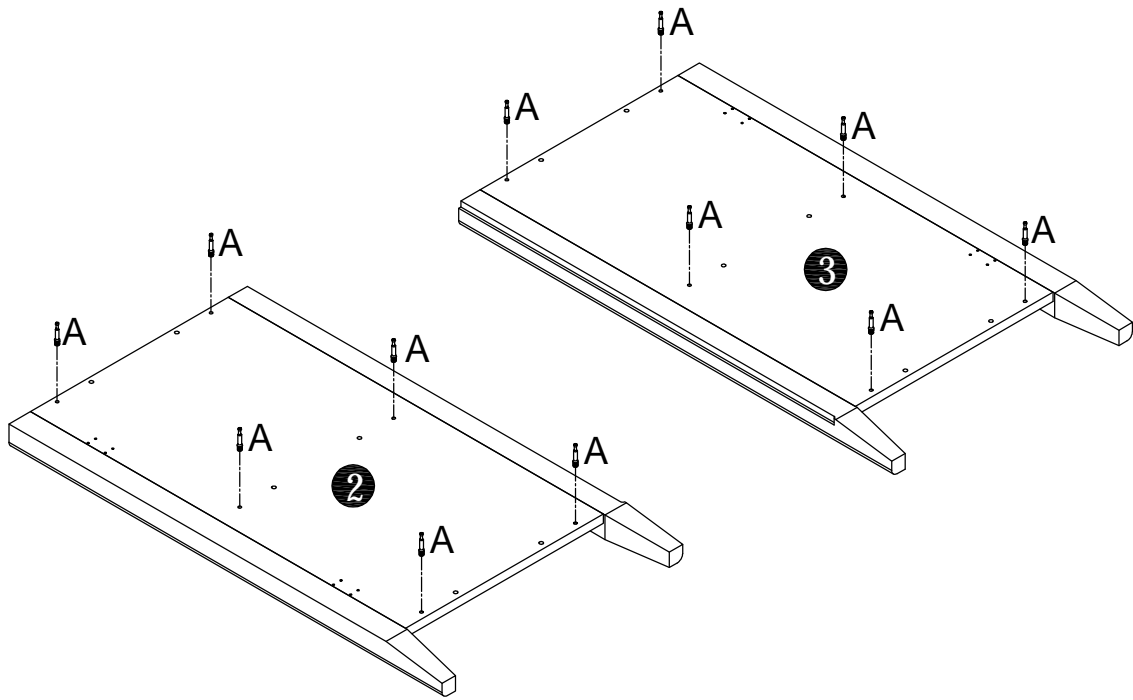
HARDWARE LIST

<p>A x 18</p>  <p>Ø6x35mm</p>	<p>B x 18</p>  <p>Ø15x9mm</p>	<p>C x 20</p>  <p>Ø6x30mm</p>	<p>D x 4</p>  <p>Ø4x40mm</p>	<p>E x 6</p> 	<p>F x 36</p>  <p>Ø4x12mm</p>
<p>G x 3</p> 	<p>H x 6</p>  <p>Ø4x18mm</p>	<p>I x 30</p>  <p>Ø2.5x10mm</p>	<p>J x 5</p> 		

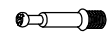
1



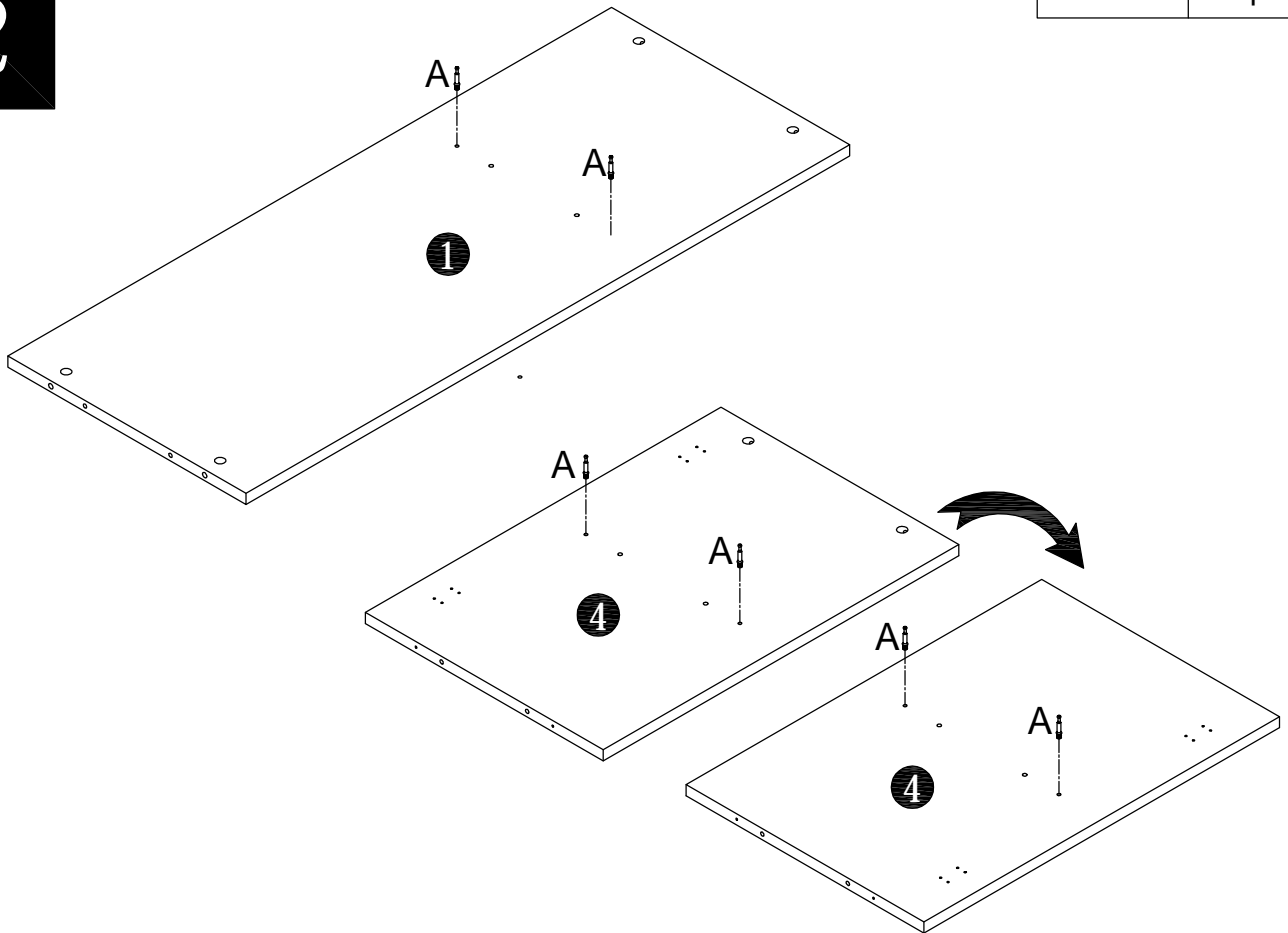
Ax12pcs




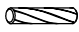
2

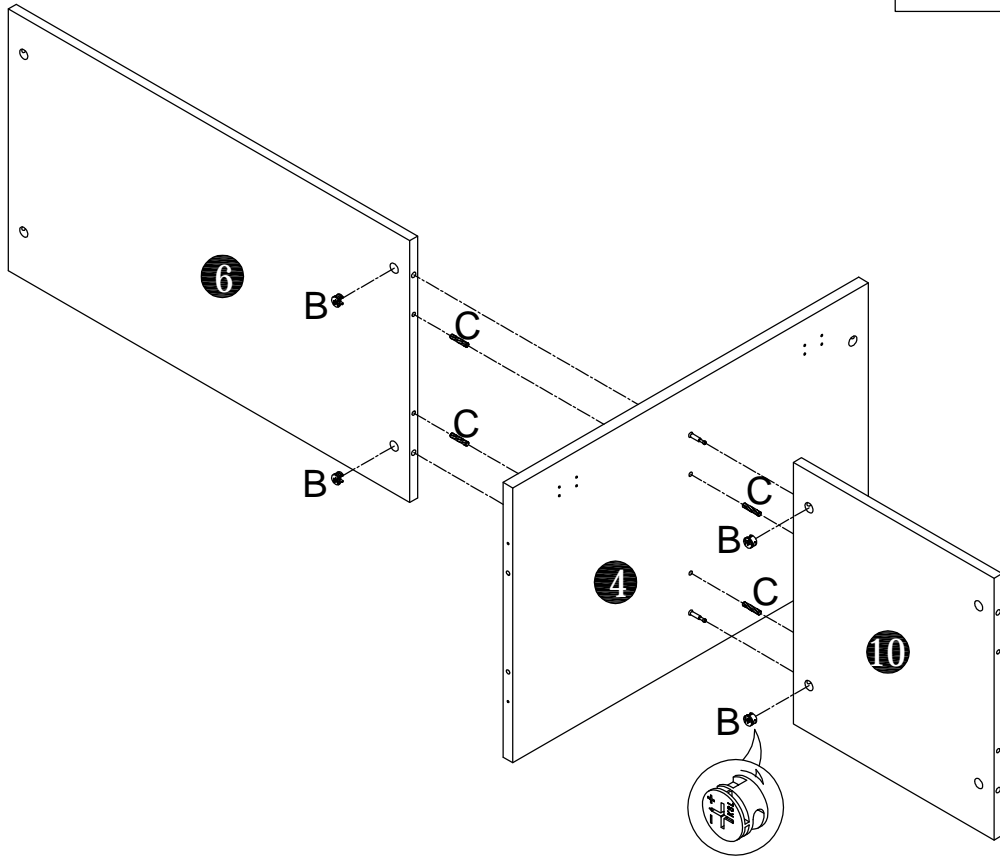


Ax6pcs




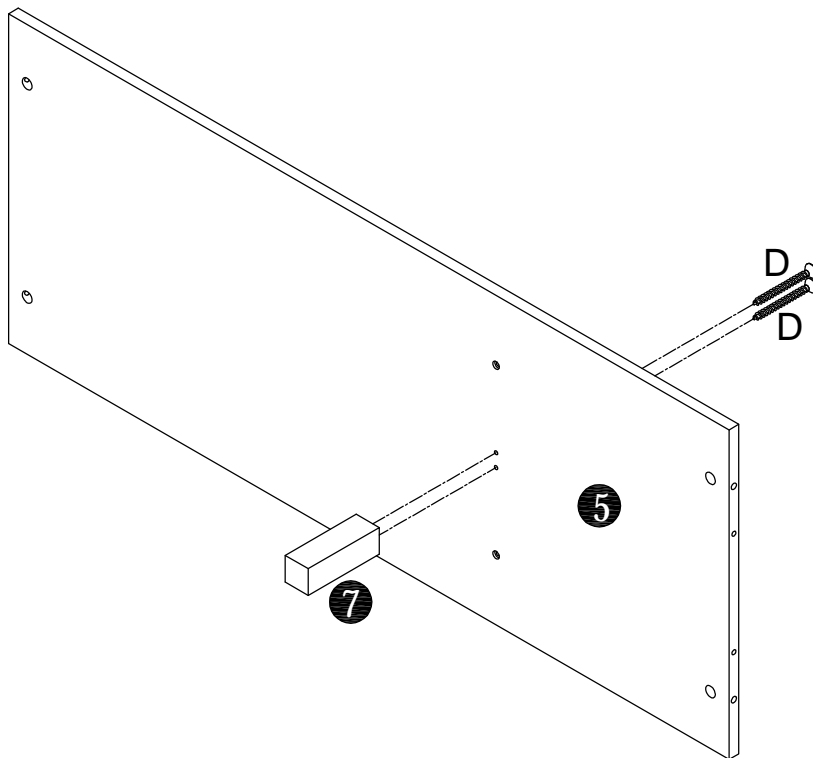
3

	Bx4pcs
	Cx4pcs

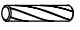



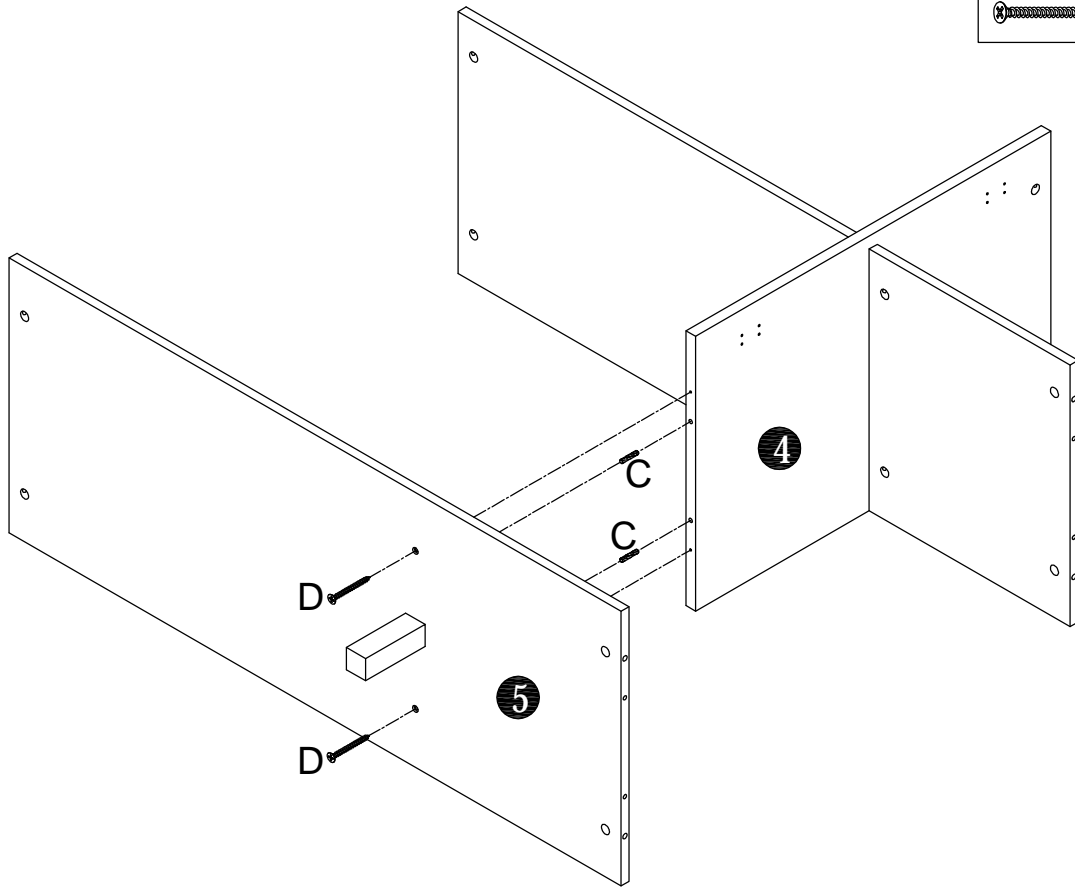
4

	Dx2pcs
---	--------


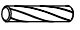


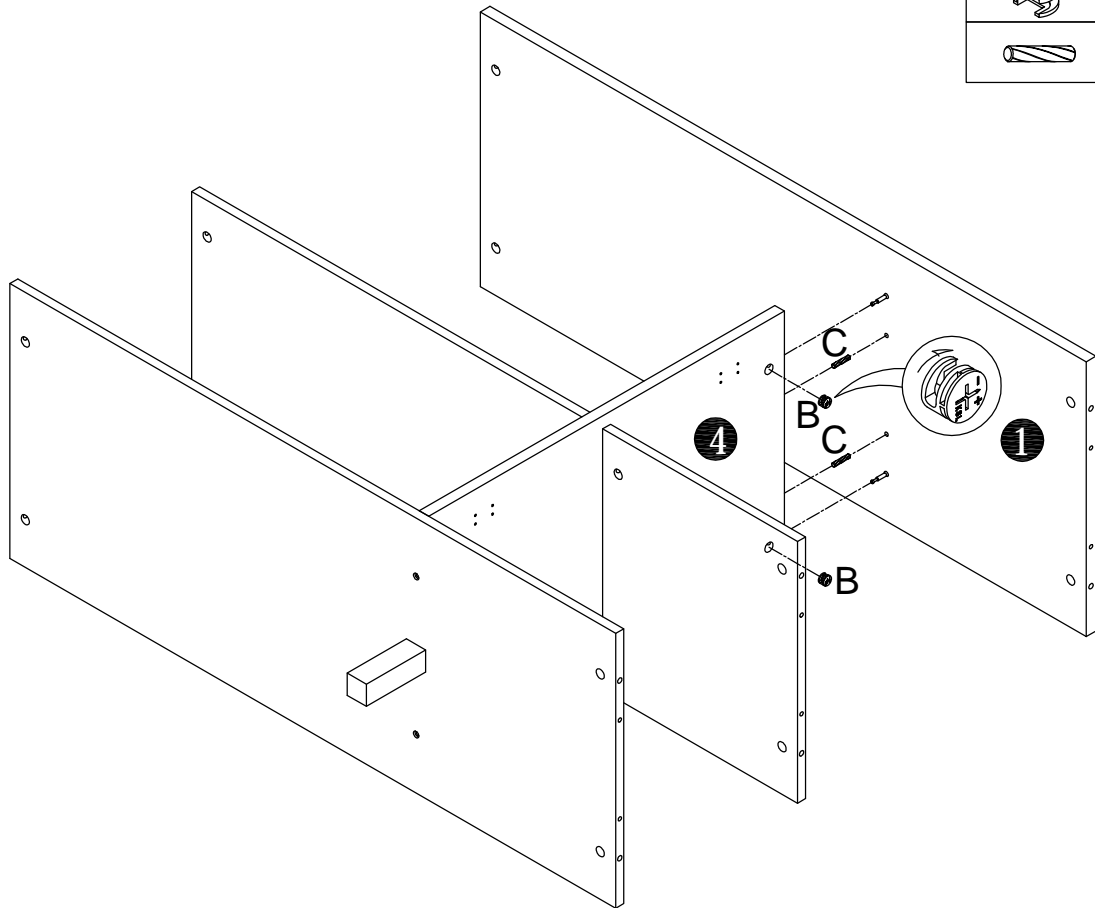
5

	Cx2pcs
	Dx2pcs


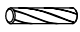


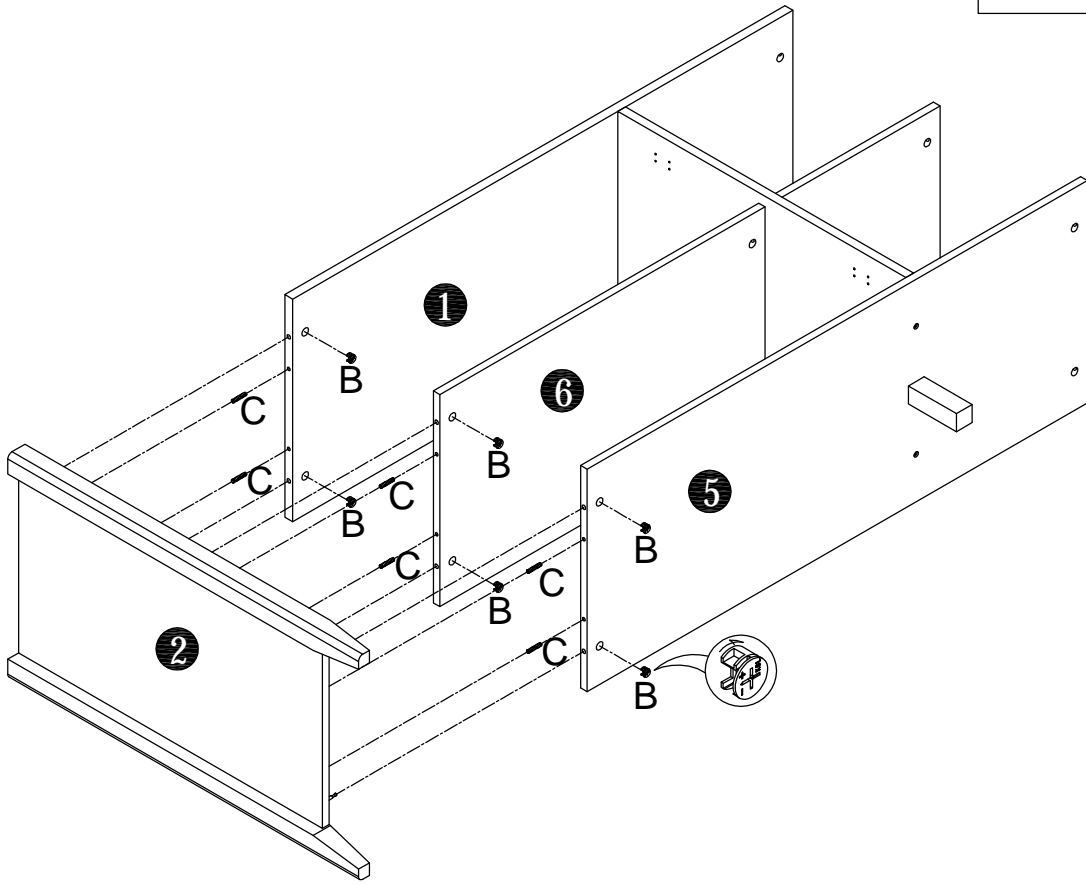
6

	Bx2pcs
	Cx2pcs




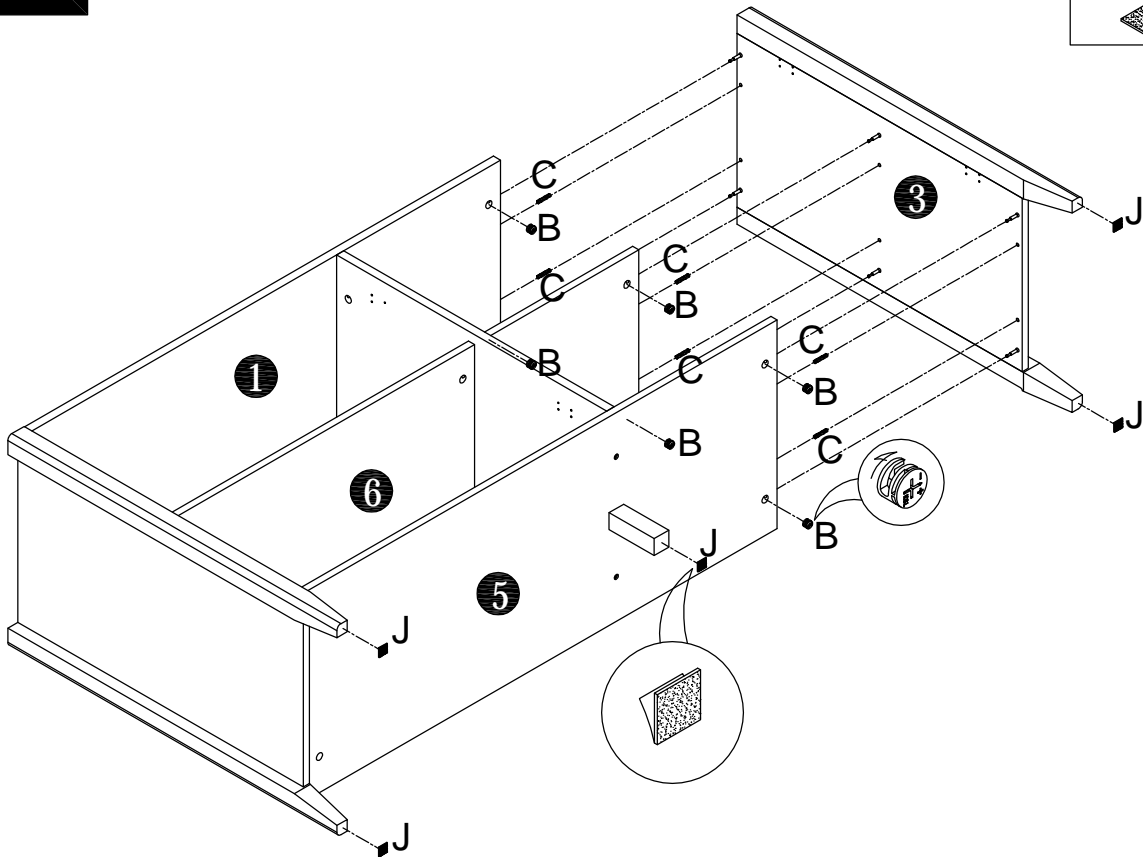
7

	Bx6pcs
	Cx6pcs



8

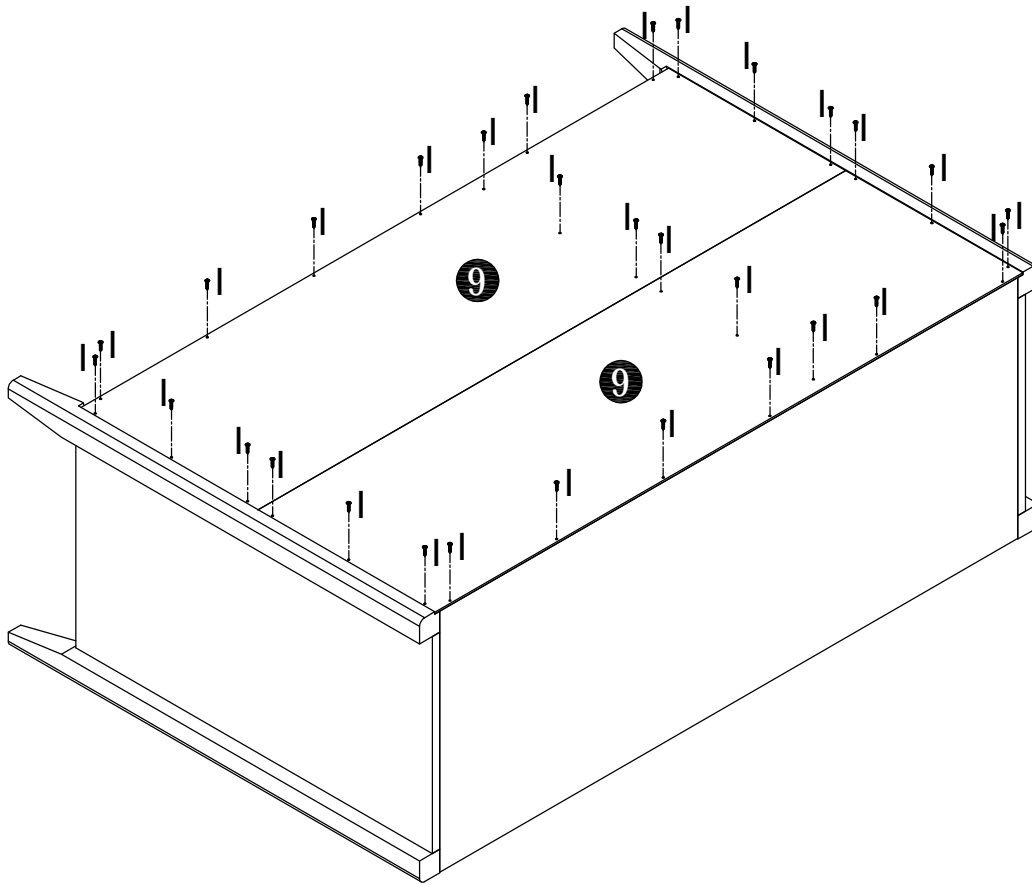
	Bx6pcs
	Cx6pcs
	Jx5pcs



9



1x30pcs



10

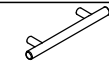
x3



Ex6pcs



Fx12pcs



Gx3pcs



Hx6pcs

