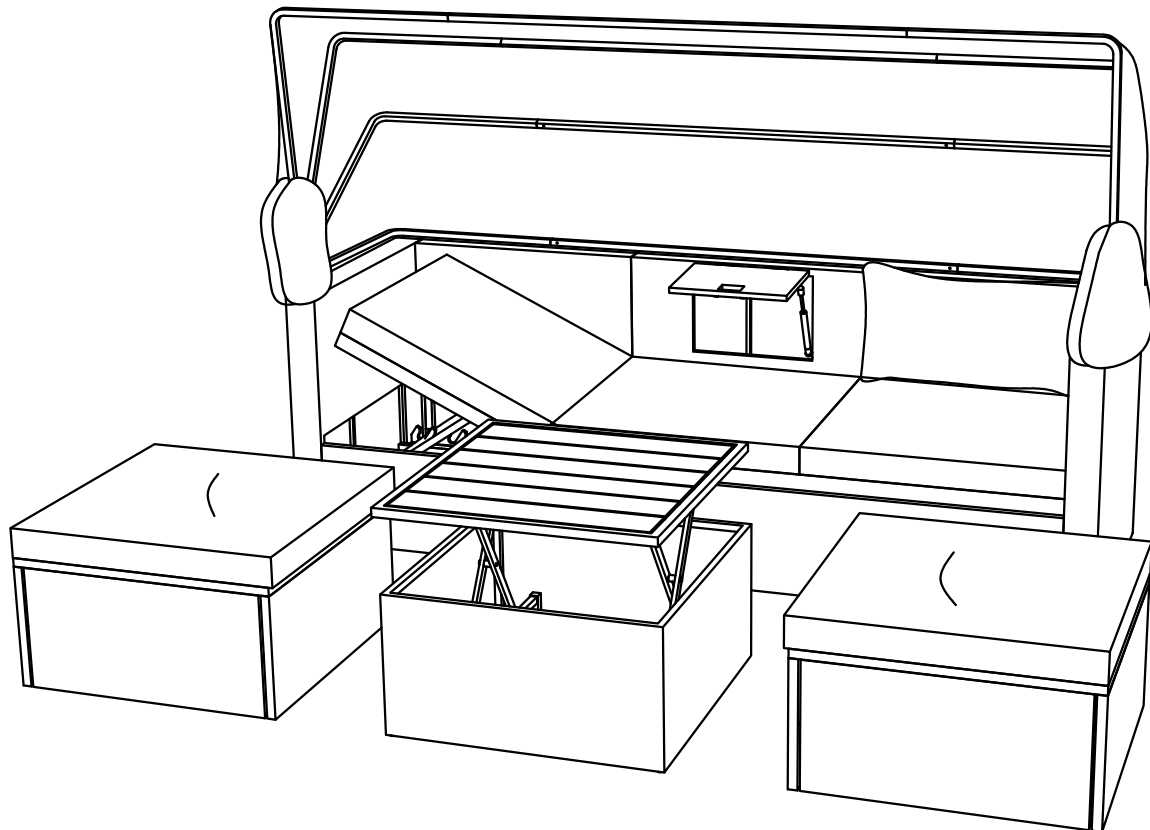


ASSEMBLY INSTRUCTION

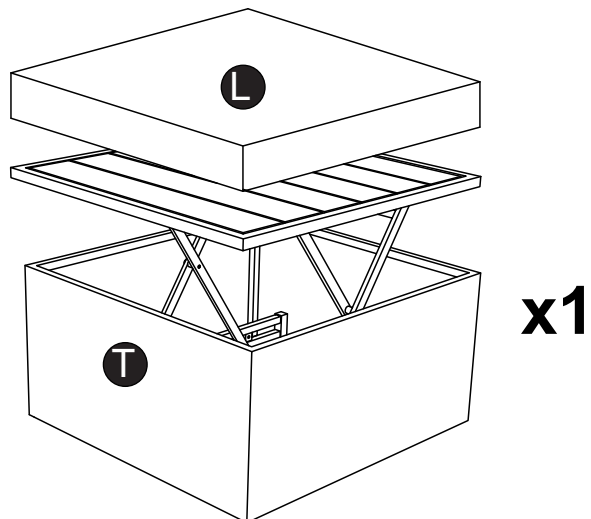
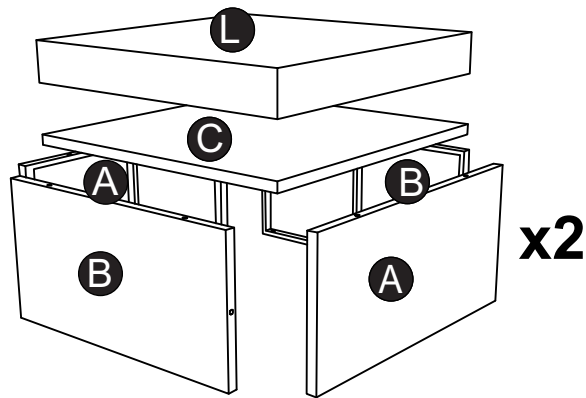
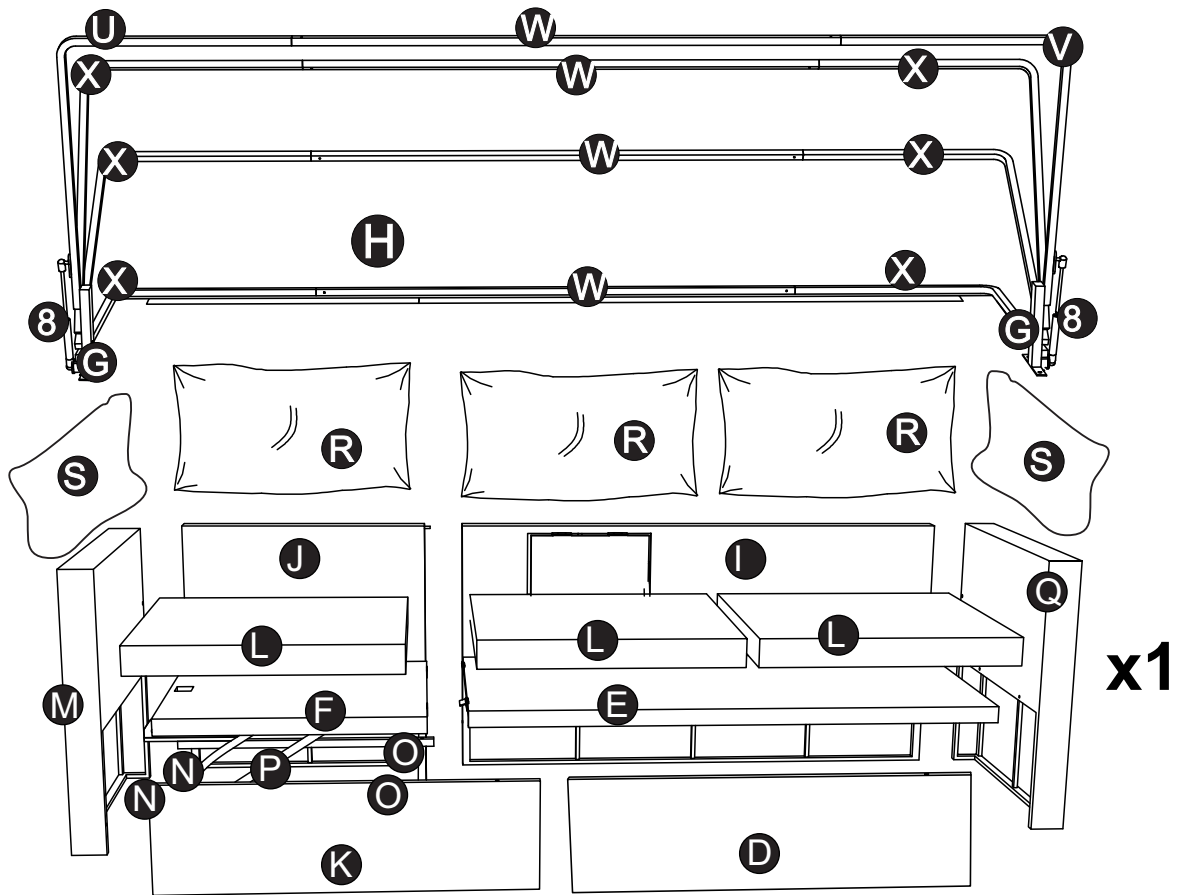
SUN LOUNGER BENCH



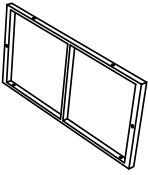
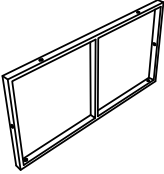
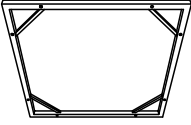
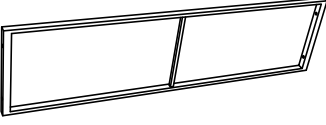
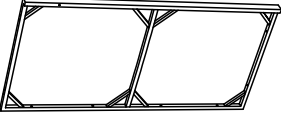
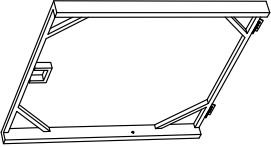
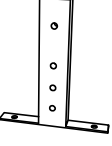
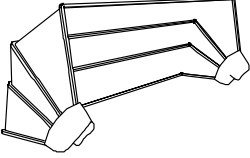
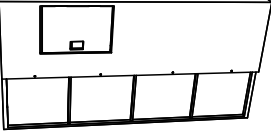
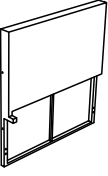
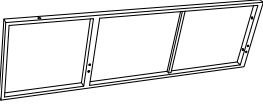
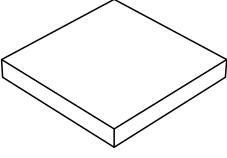
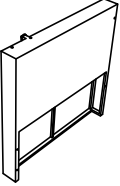
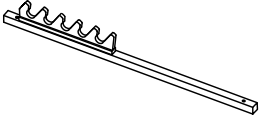
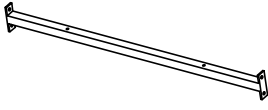

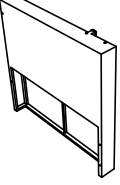
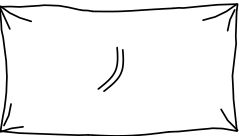
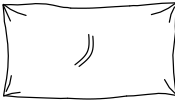
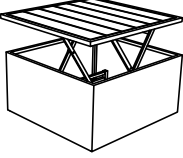


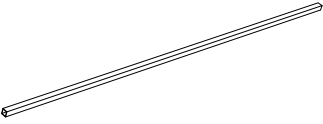

WF301634 ; WF301635 ; WF301636

Notice:








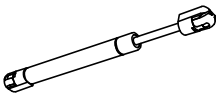
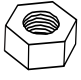



1. 50% Tighten before fixing all screws, Allen wrench is recommended instead of an electric drill.
2. Place the item on a flat ground to adjust and make sure it remains stable.
3. Tighten up all screws with tools gradually.
4. If the screws are not aligned with holes during assembly, please loosen all the other screws to 50% and continue the assembly process.
5. If the item is not stable, please loosen all the screws, adjust it on a flat ground and tighten up all screws again.
6. Note : If one or some screws are fully tightened during assembly, chances are the others will not be aligned with holes. In addition, all the holes are designed to be relatively larger to provide more space for the adjustment of the screws.



Part List & Hardware

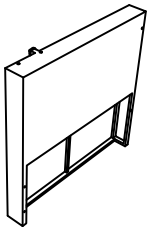
<p>A</p>  <p>(4pcs)</p>	<p>B</p>  <p>(4pcs)</p>	<p>C</p>  <p>(2pcs)</p>	<p>D</p>  <p>(1pc)</p>
<p>E</p>  <p>(1pc)</p>	<p>F</p>  <p>(1pc)</p>	<p>G</p>  <p>(2pcs)</p>	<p>H</p>  <p>(1pc)</p>
<p>I</p>  <p>(1pc)</p>	<p>J</p>  <p>(1pc)</p>	<p>K</p>  <p>(1pc)</p>	<p>L</p>  <p>(6pcs)</p>
<p>M</p>  <p>(1pc)</p>	<p>N</p>  <p>(2pcs)</p>	<p>O</p>  <p>(2pcs)</p>	<p>P</p>  <p>(1pc)</p>
<p>Q</p>  <p>(1pc)</p>	<p>R</p>  <p>(3pcs)</p>	<p>S</p>  <p>(2pcs)</p>	<p>T</p>  <p>(1pc)</p>
<p>U</p>  <p>(1pc)</p>	<p>V</p>  <p>(1pc)</p>	<p>W</p>  <p>(4pcs)</p>	<p>X</p>  <p>(6pcs)</p>

Part List & Hardware

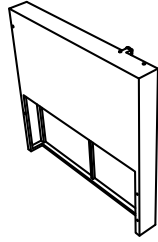
<p>1</p>  <p>M6x35mm (51pcs)</p>	<p>2</p>  <p>M6x20mm (22pcs)</p>	<p>3</p>  <p>Nuts (8 pcs)</p>	<p>4</p>  <p>Ø6 x 14 mm (79 pcs)</p>
<p>5</p>  <p>Allenkey 4x 70mm (2pcs)</p>	<p>6</p>  <p>Plastic longden Ø6 x 14 mm (10 pcs)</p>	<p>7</p>  <p>M6x100mm (2 pcs)</p>	<p>8</p>  <p>Air Lifter 160N (2 pcs)</p>
<p>9</p>  <p>Nuts (2 pcs)</p>	<p>10</p>  <p>M4 Screw (4 pcs)</p>	<p>11</p>  <p>M6x55mm (2 pcs)</p>	<p>12</p>  <p>Wrench (1 pc)</p>

CARTON CONTENT:

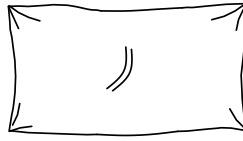
WF301634



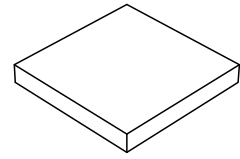
(M)



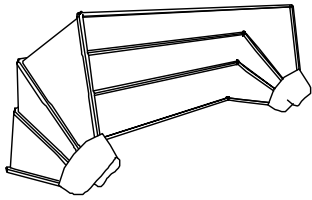
(Q)



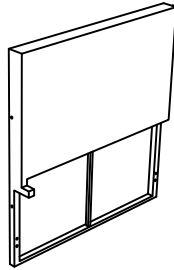
(R) x3



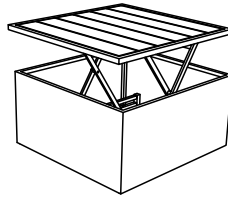
(L) x2



(H)

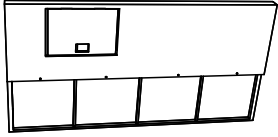


(J)

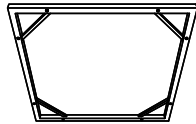


(T)

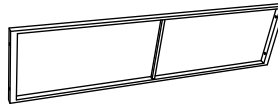
WF301635



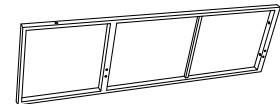
(I)



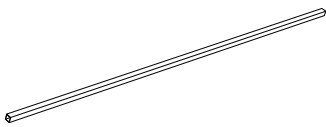
(C) x2



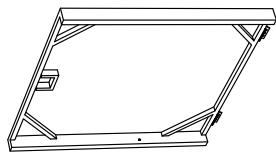
(D)



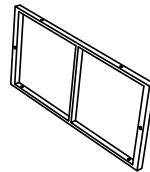
(K)



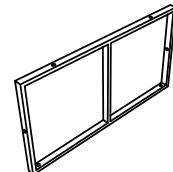
(W) x4



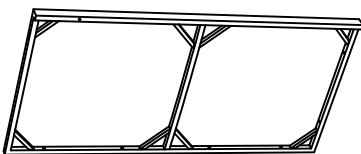
(F)



(A) x4



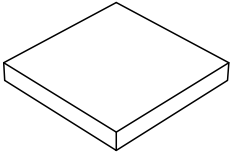
(B) x4



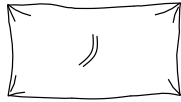
(E)

CARTON CONTENT:

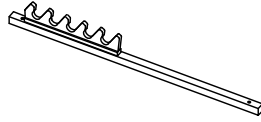
WF301636



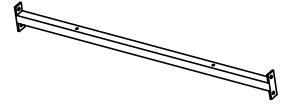
Ⓛ x4



Ⓢ x2



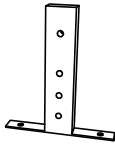
Ⓝ x2



Ⓞ x2



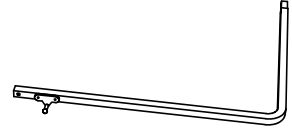
Ⓟ



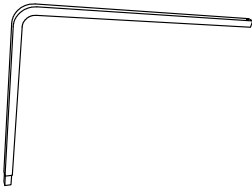
ⓖ x2



Ⓤ

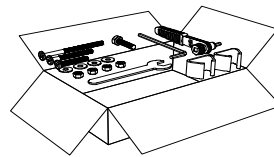


Ⓥ



Ⓧ x6

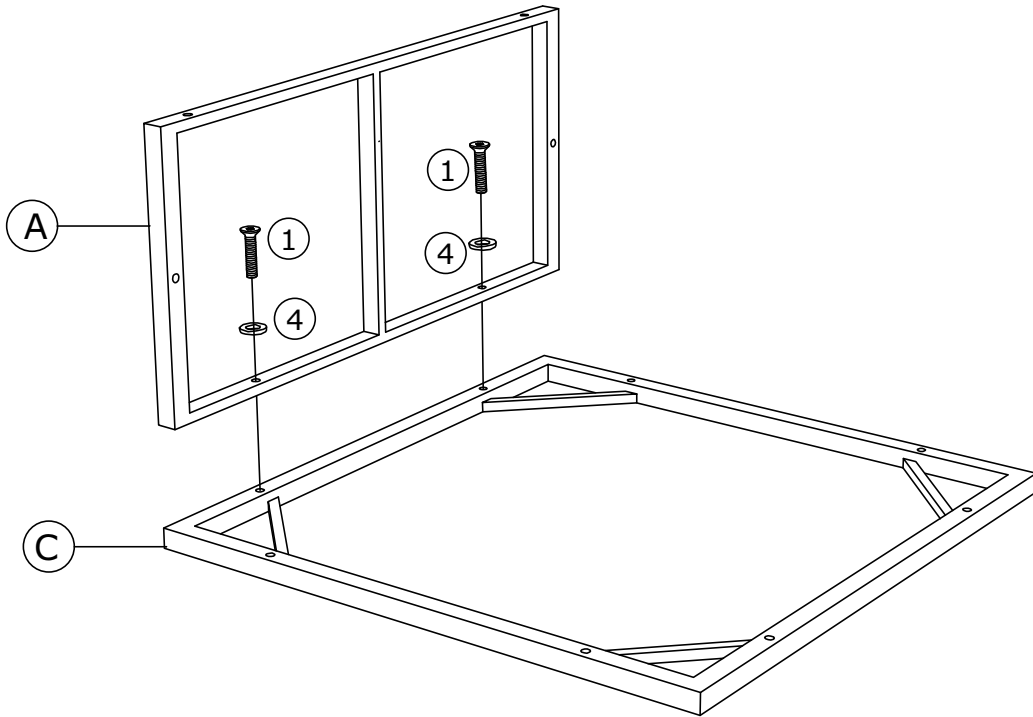
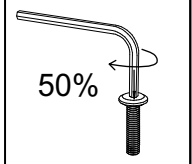
AI INCLUDED BOX-WF301636



Hardware

Step 1:

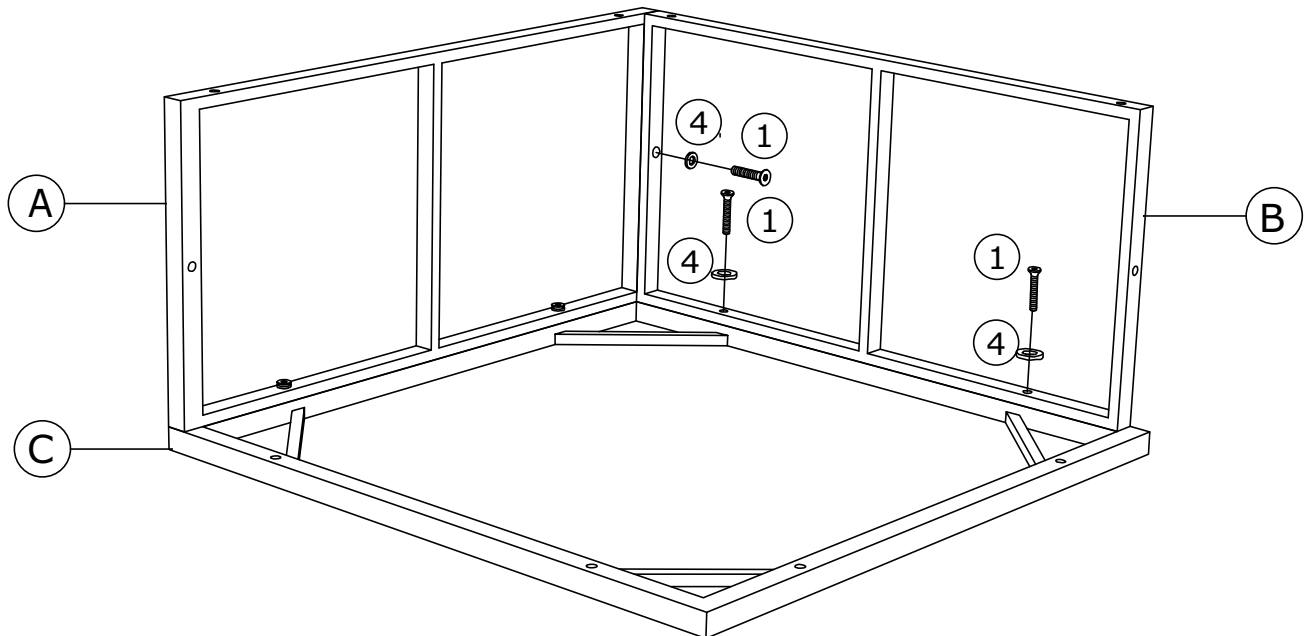
x2



- ①*2
- ④*2
- A*1
- C*1

Step 2:

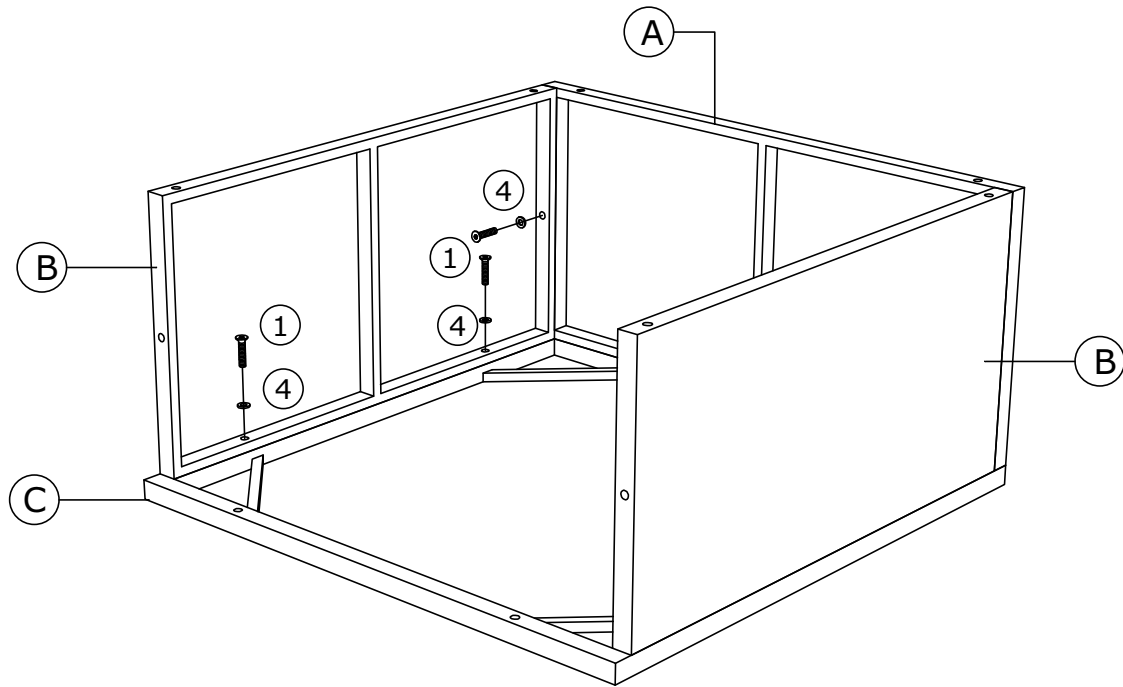
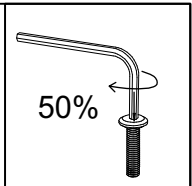
x2



- ①*3
- ④*3
- B*1

Step 3:

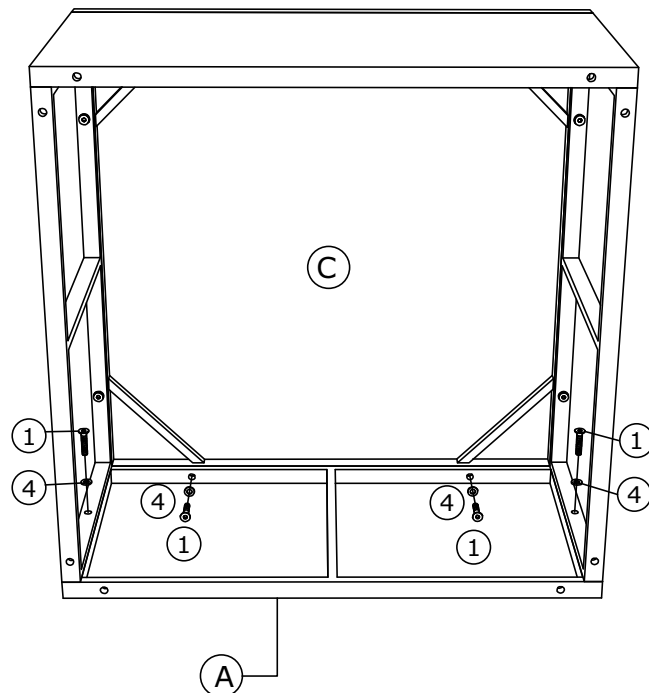
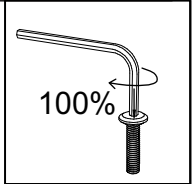
x2



①*3 ④*3 B *1

Step 4:

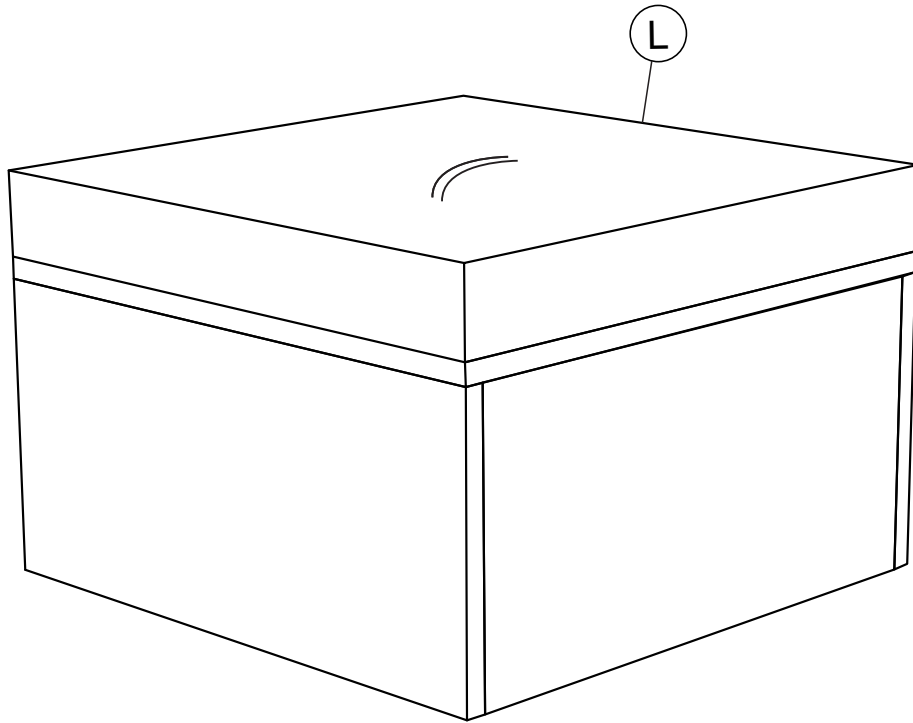
x2



①*4 ④*4 A *1

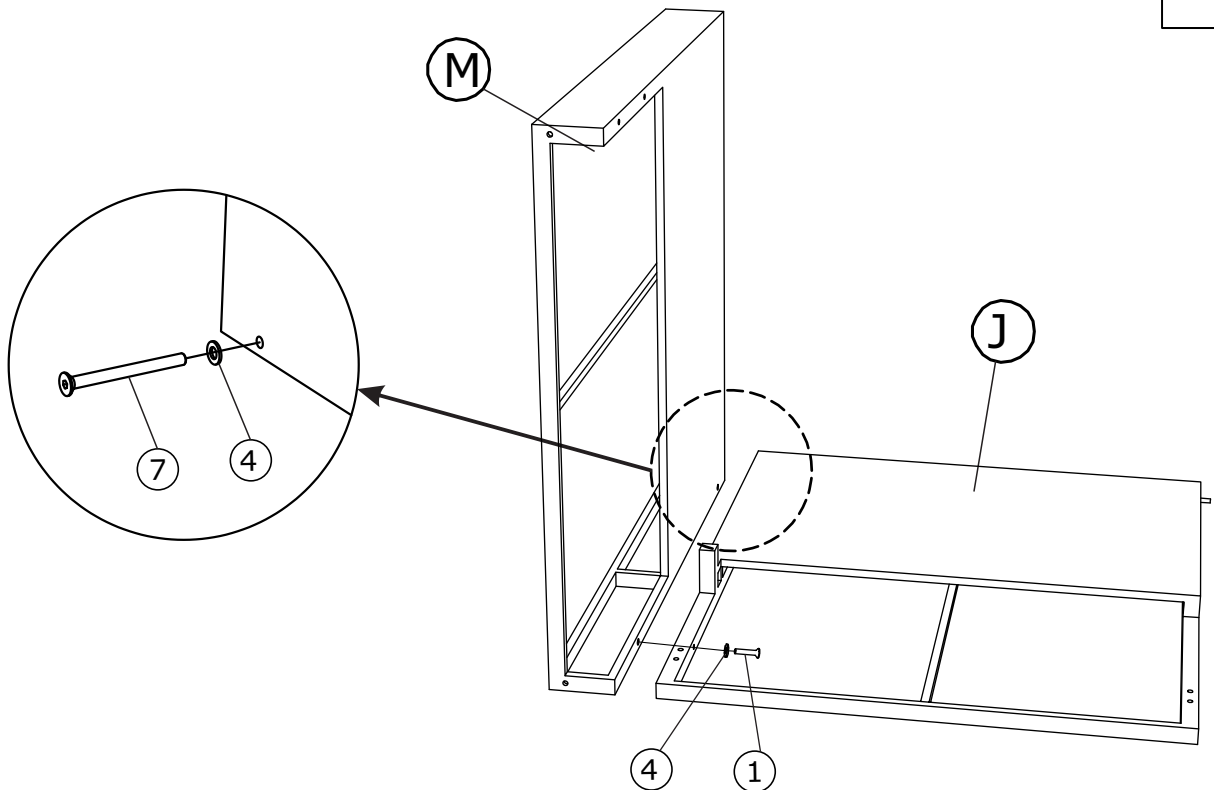
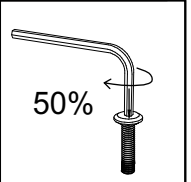
Step 5:

x2



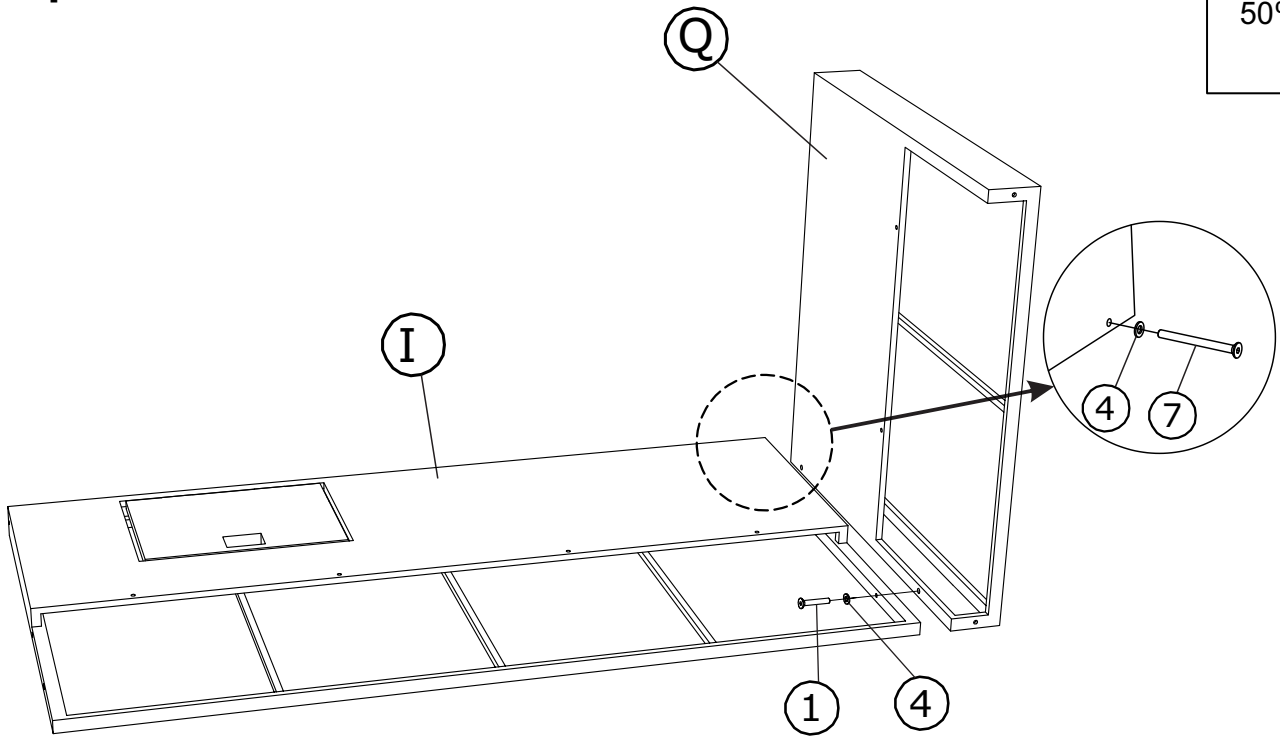
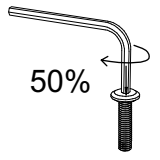
L*1

Step 6:



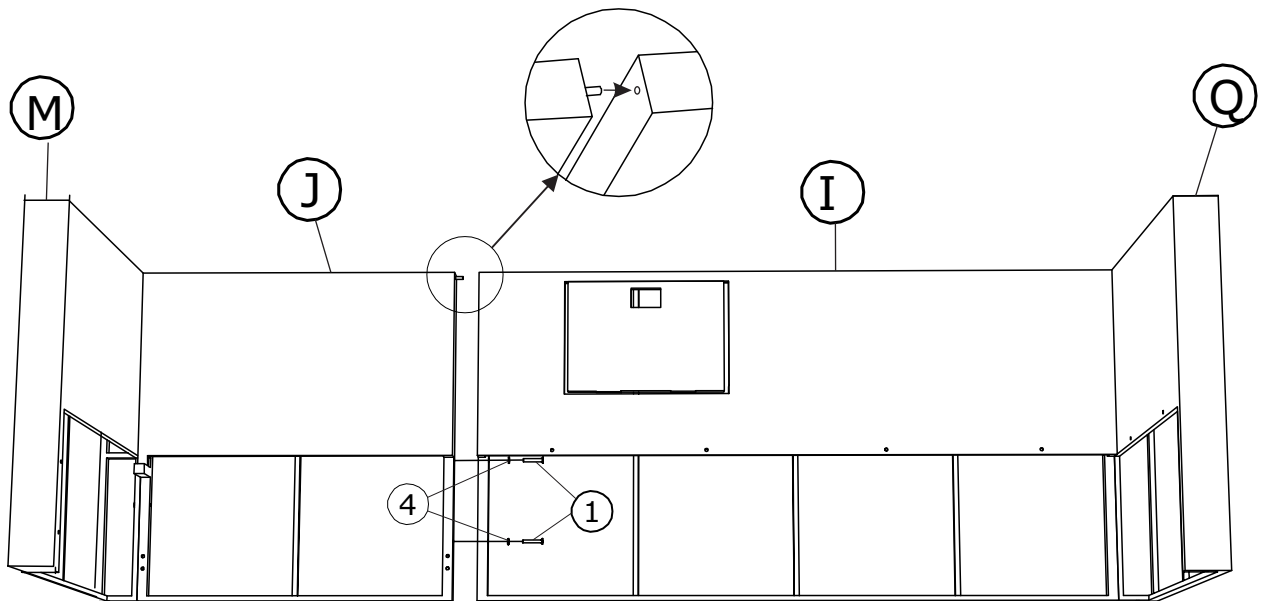
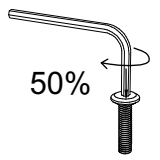
①*1 ④*2 ⑦*1 M*1 J*1

Step 7:



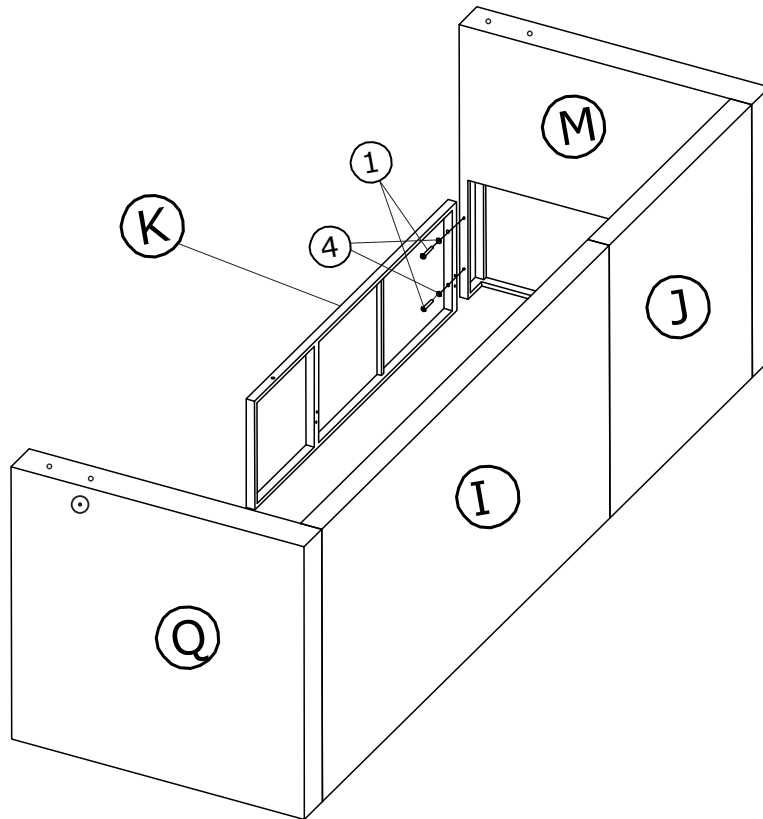
①*1 ④*2 ⑦*1 I *1 Q*1

Step 8:



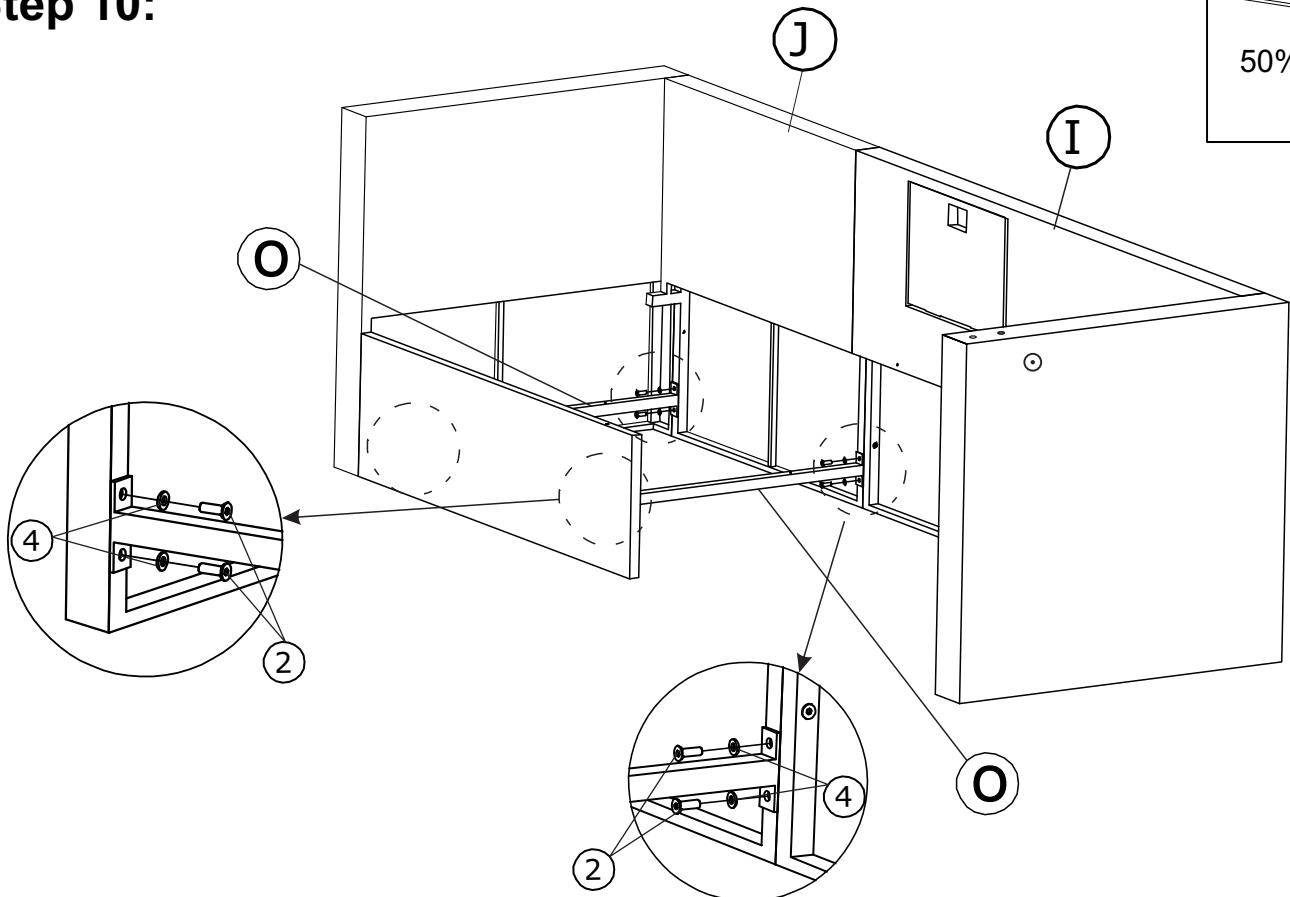
①*2 ④*2

Step 9:



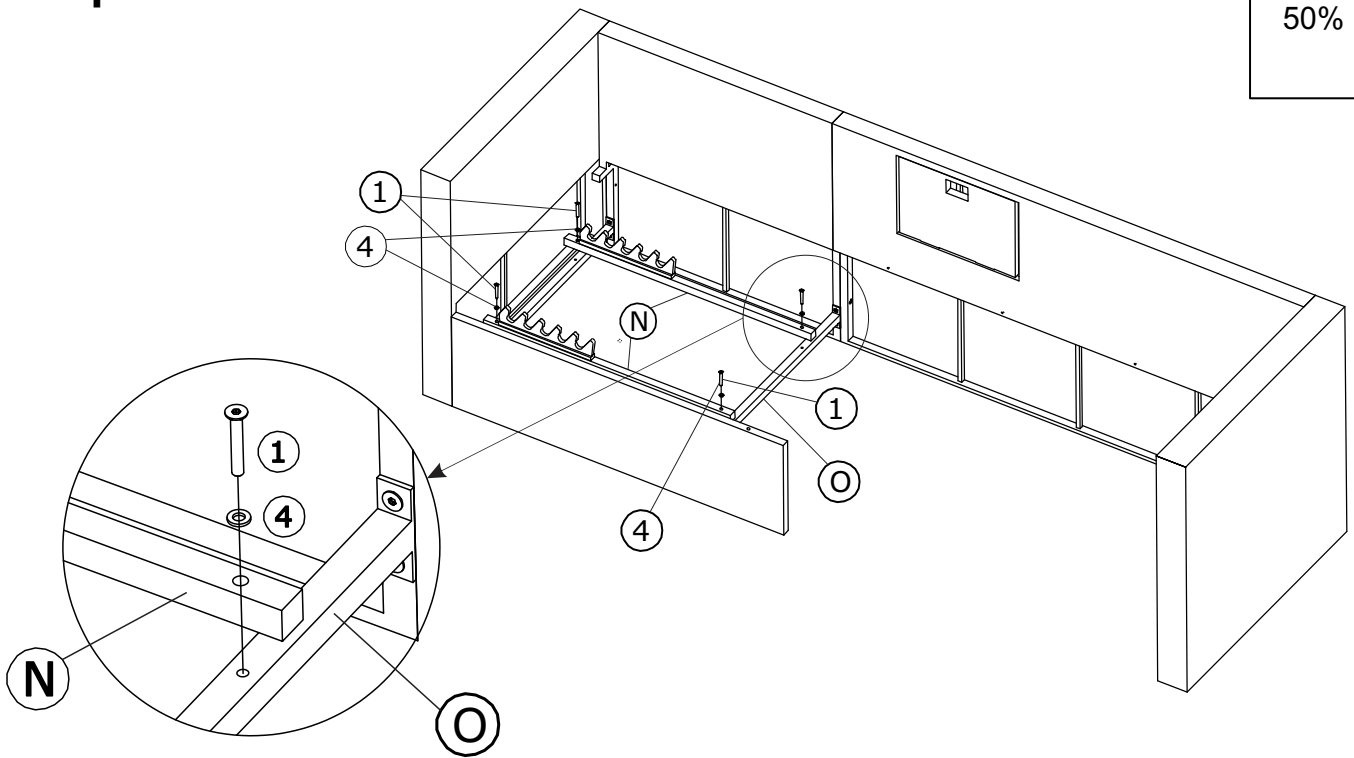
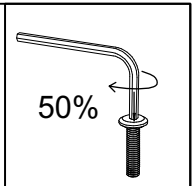
①*2 ④*2 K*1

Step 10:



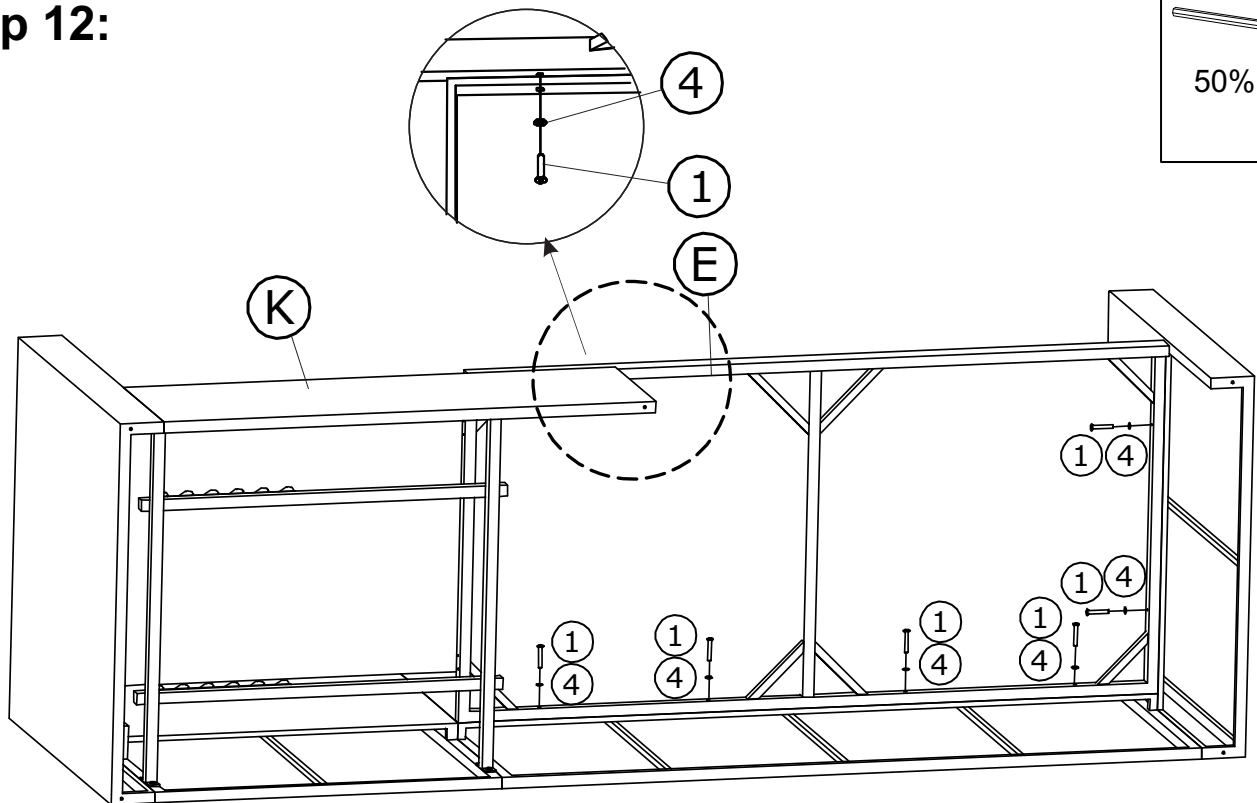
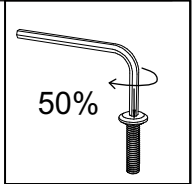
②*8 ④*8 O*2

Step 11:



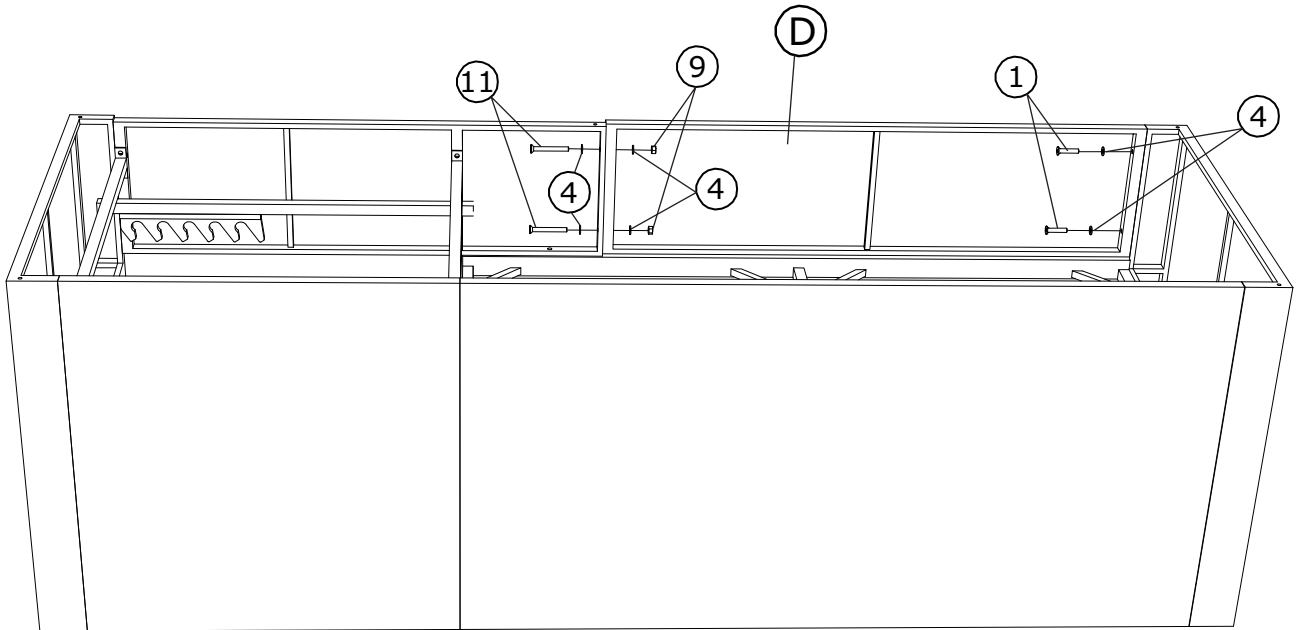
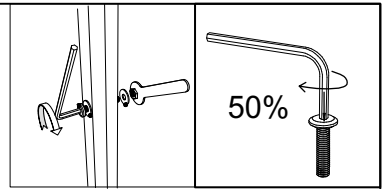
①*4 ④*4 N*2

Step 12:



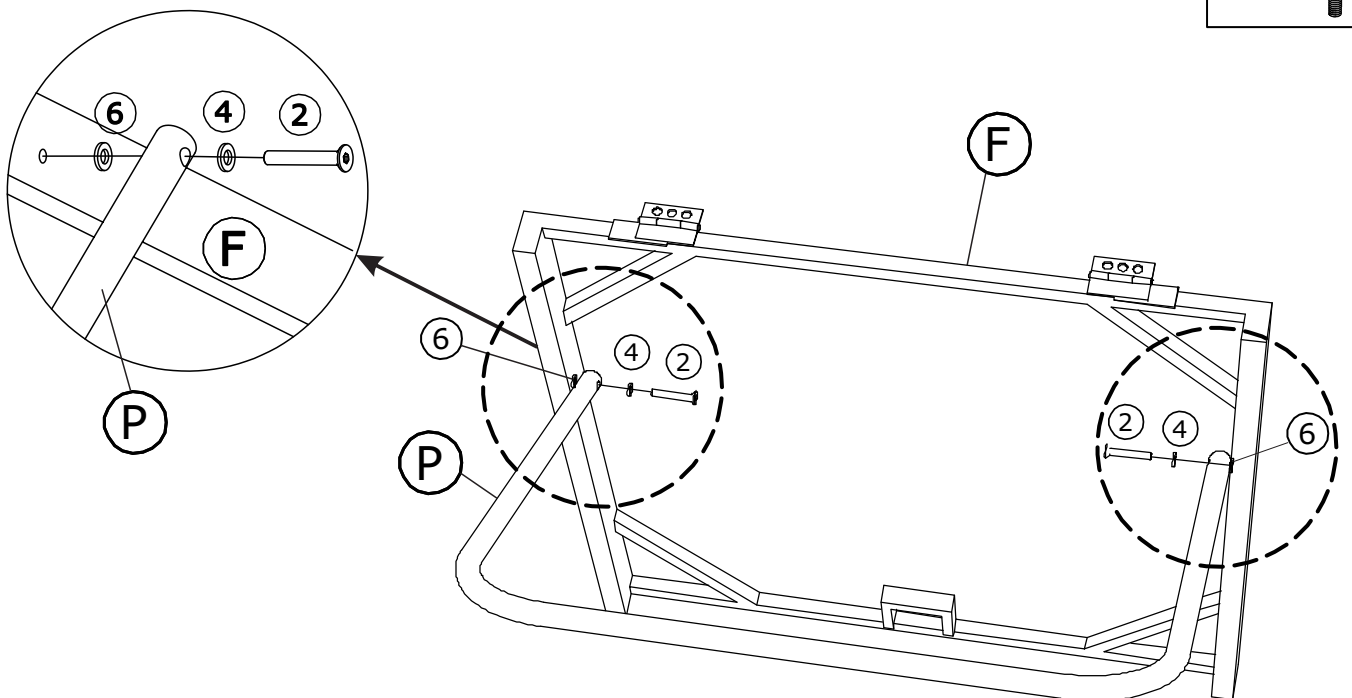
①*7 ④*7 E*1

Step 13:



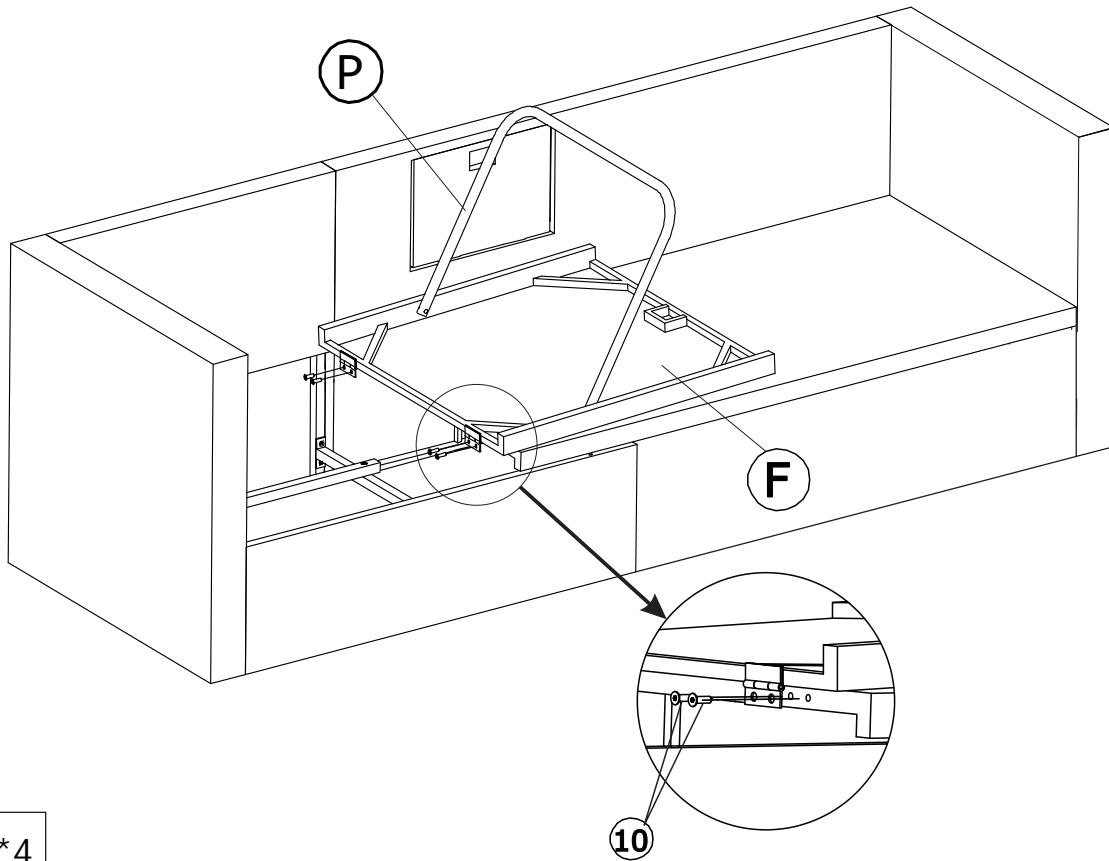
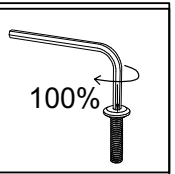
①*2 ④*6 ⑨*2 ⑪*2 D*1

Step 14:



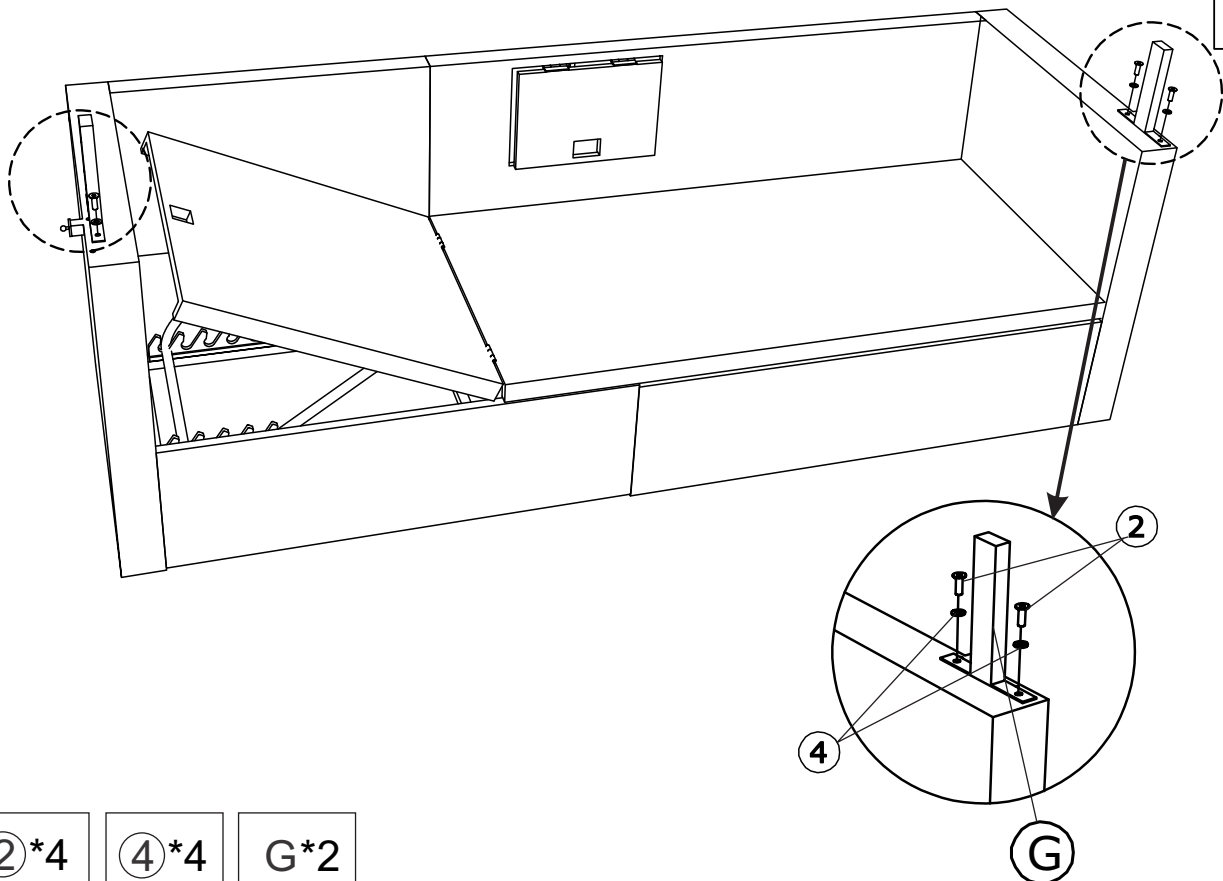
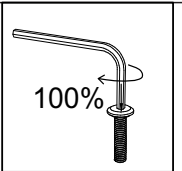
②*2 ④*2 ⑥*2 F*1 P*1

Step 15:



⑩ *4

Step 16:

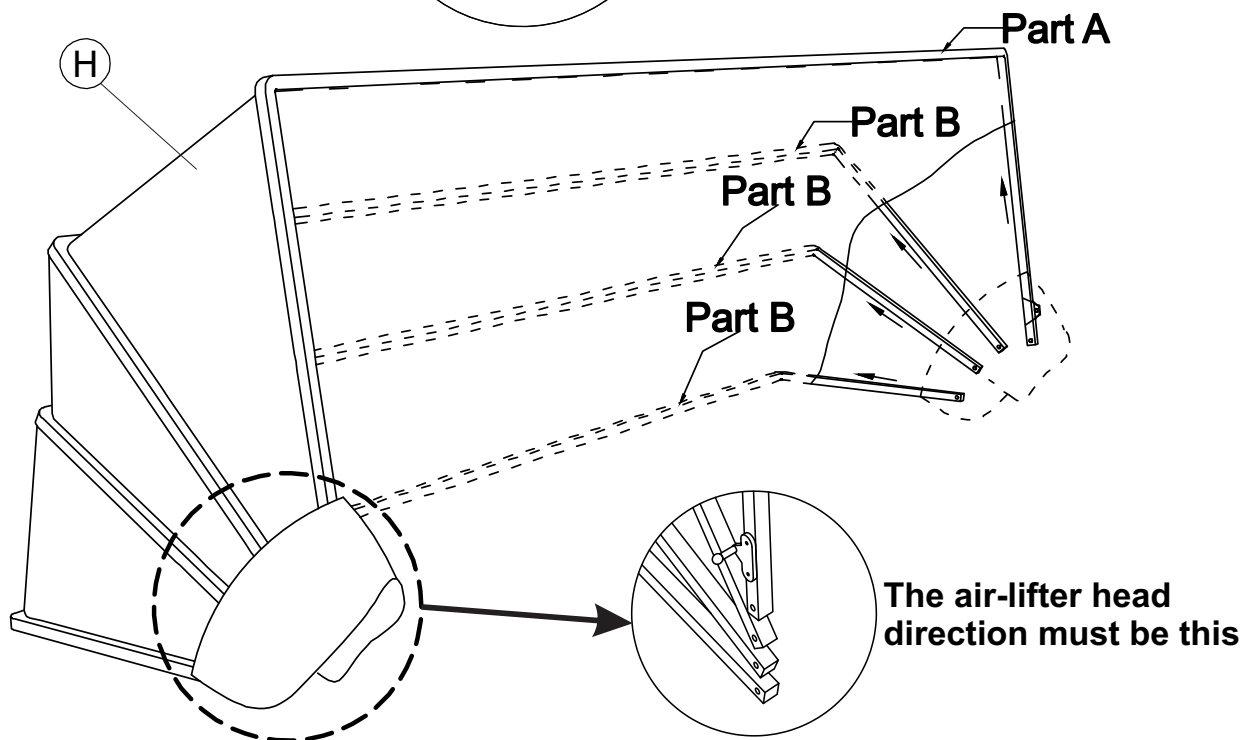
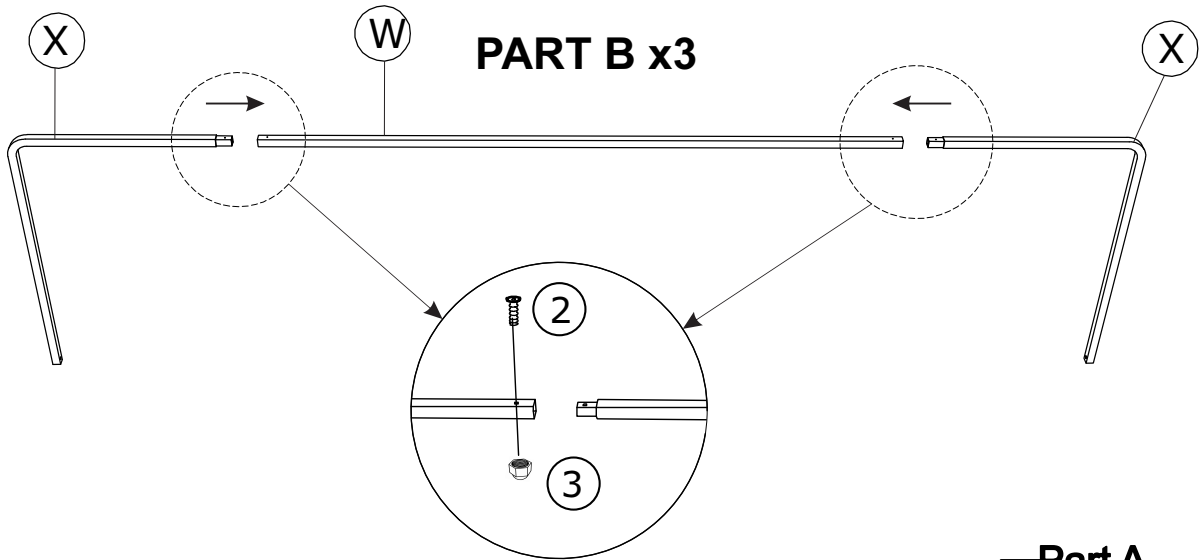
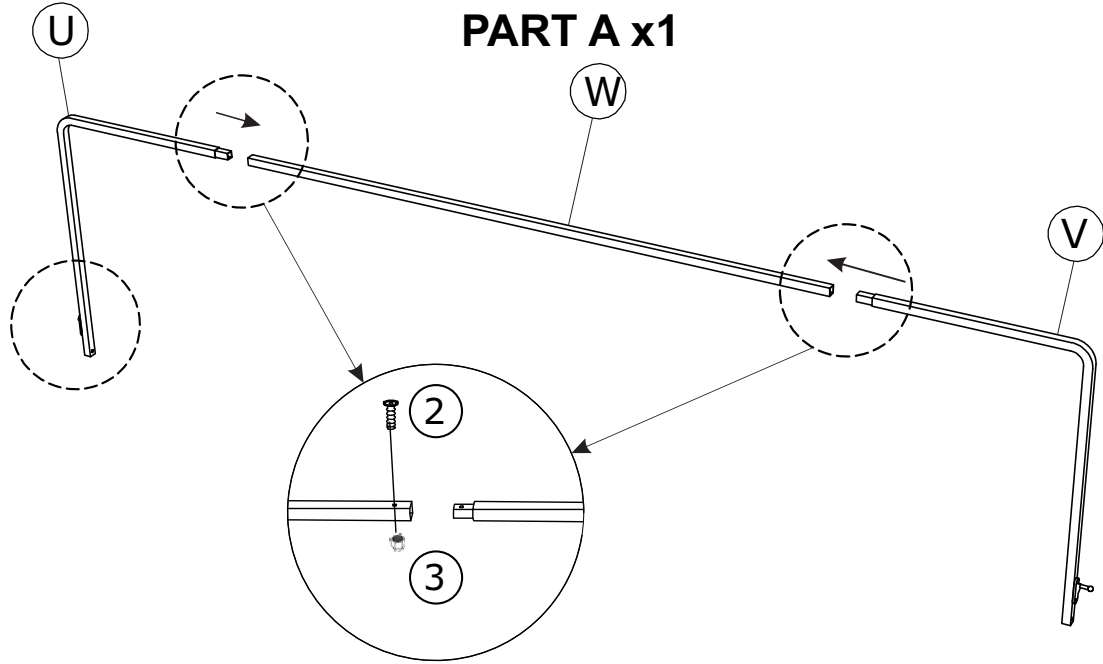


② *4

④ *4

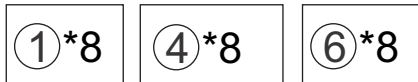
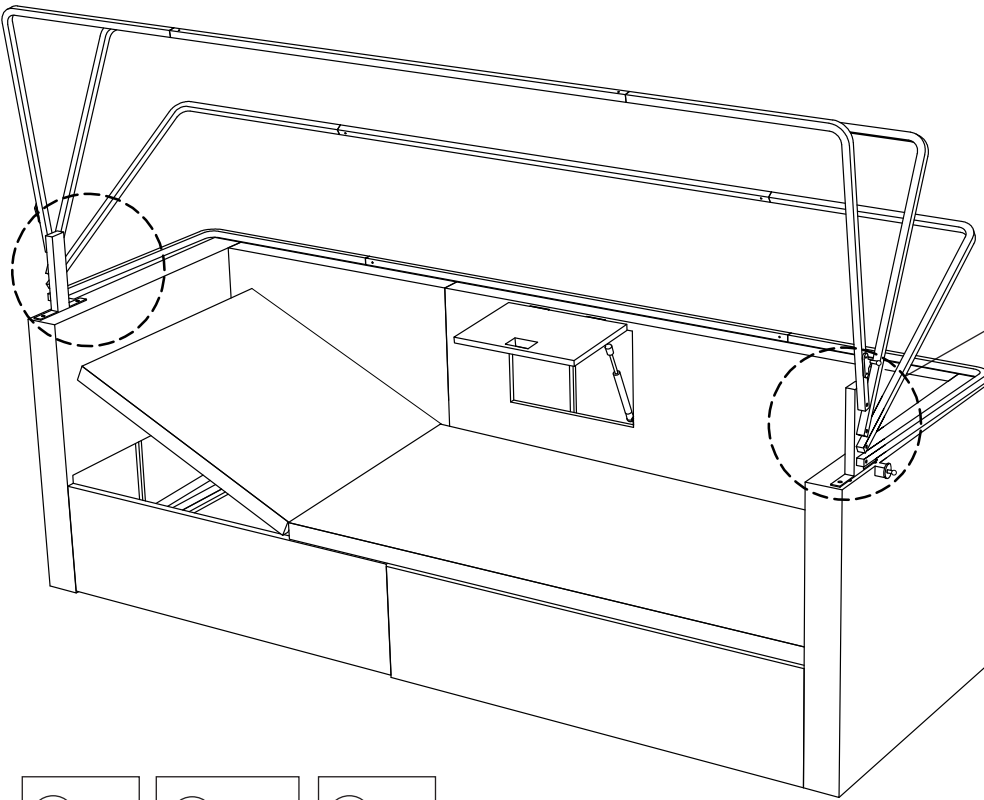
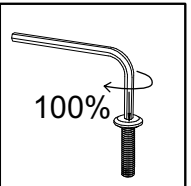
G *2

Step 17:

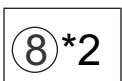
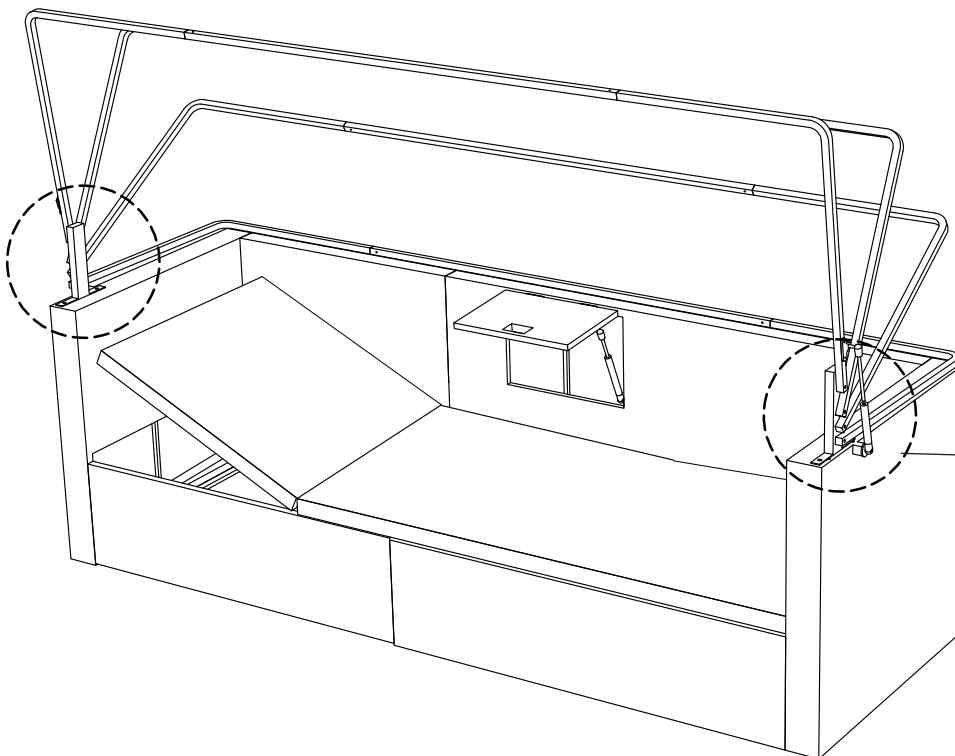


- ② *8
- ③ *8
- H*1
- U*1
- V*1
- W*4
- X*6

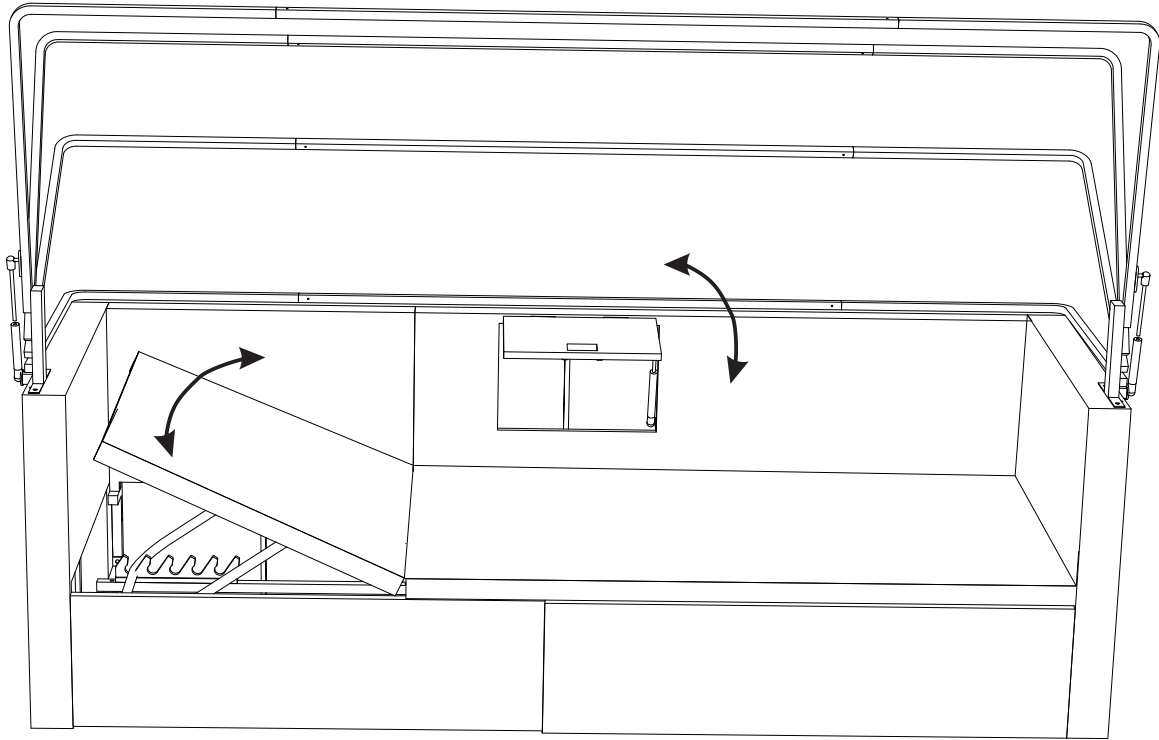
Step 18:



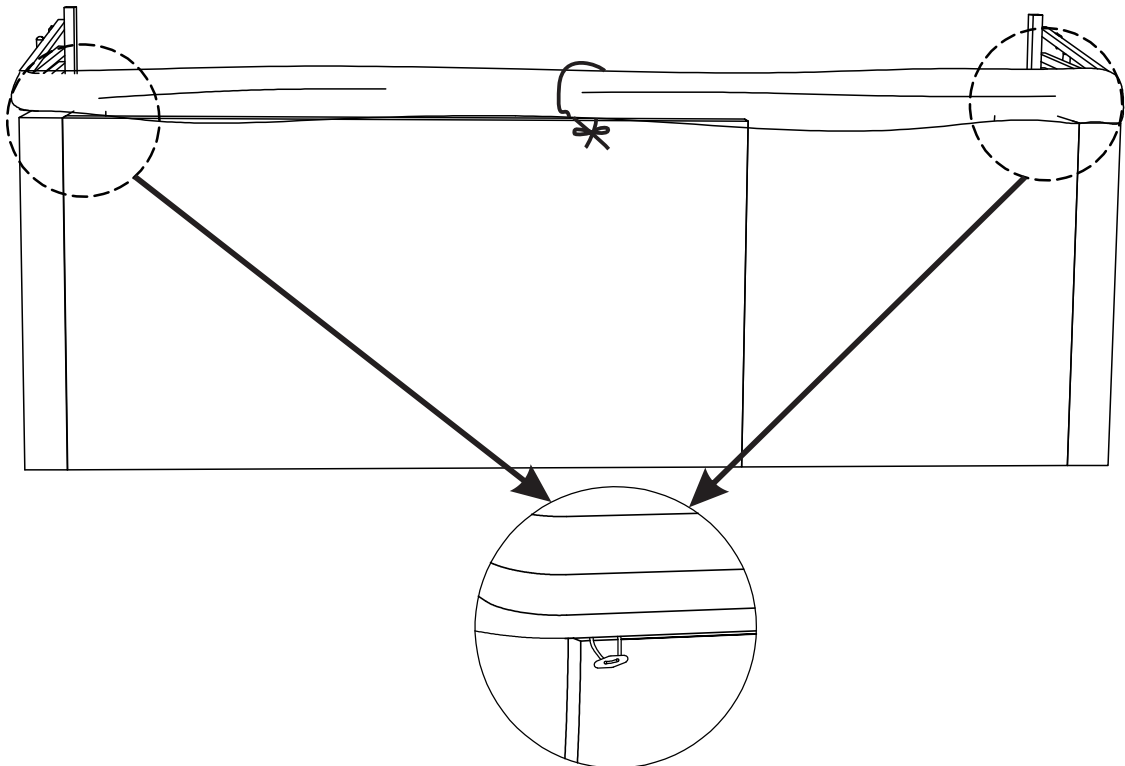
Step 19:



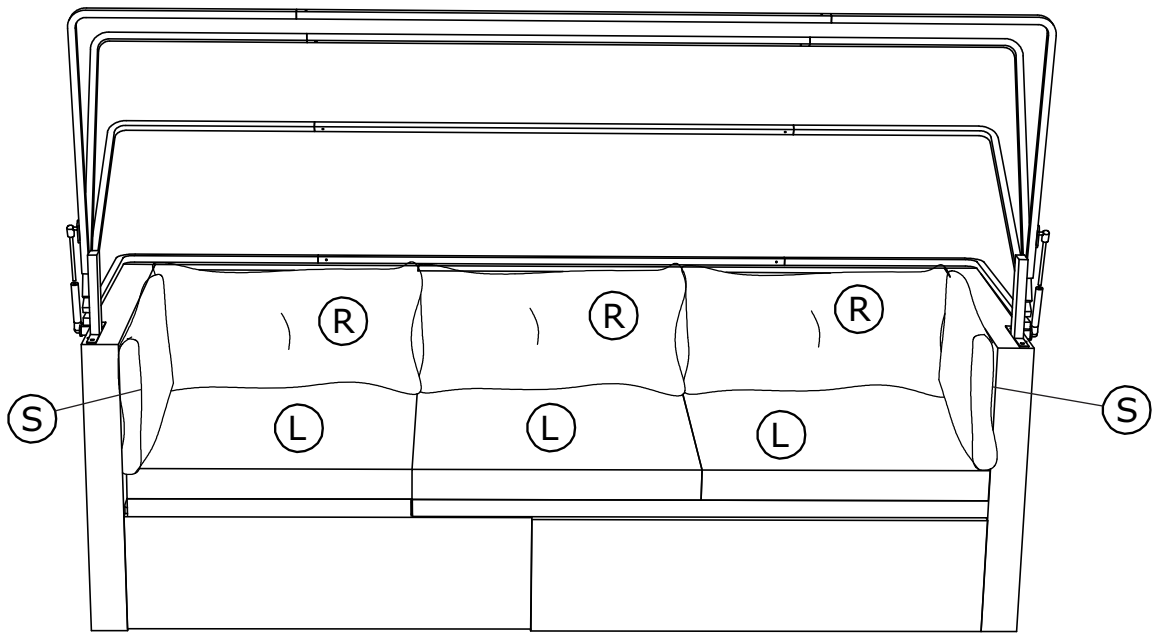
Step 20:



Step 21:



Step 20:

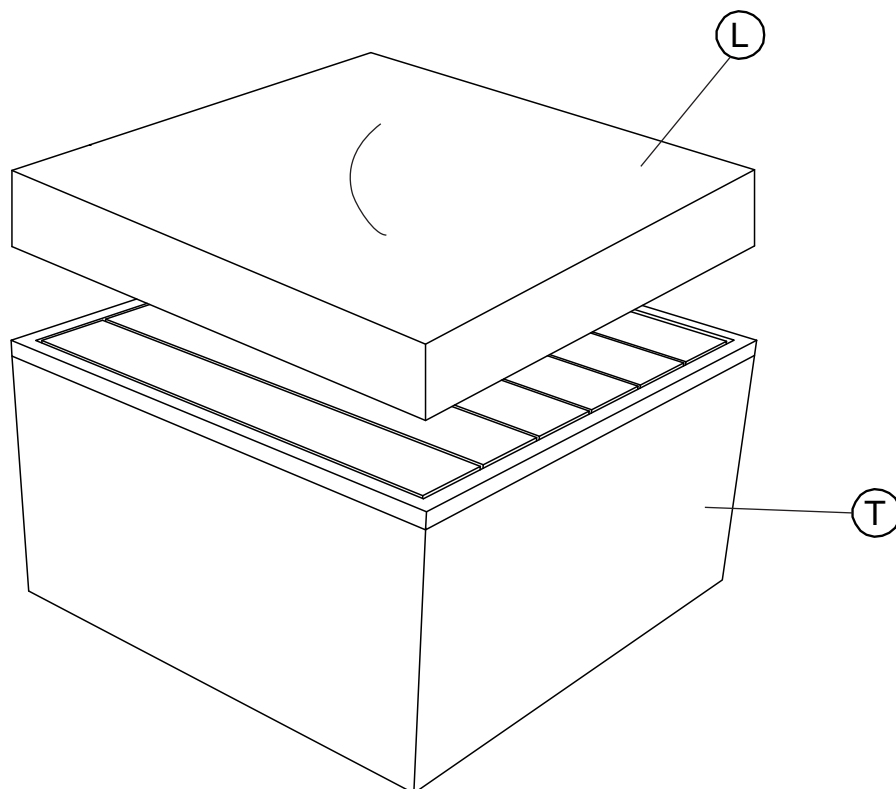


L*3

R*3

S*2

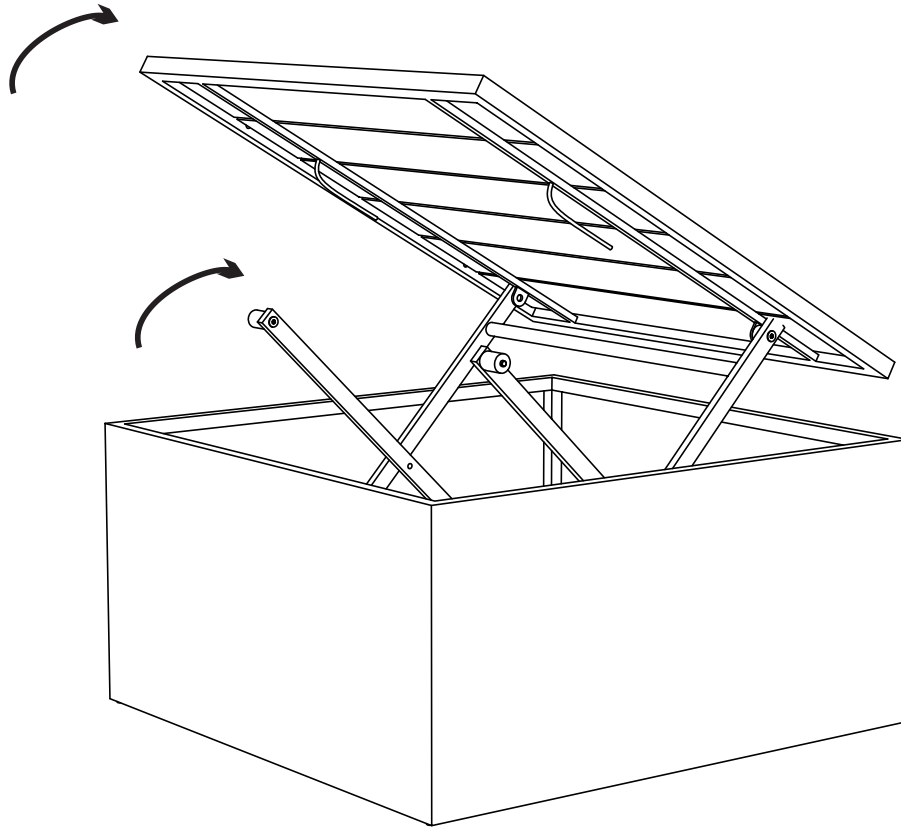
Step 21:



L*1

T*1

Step 22: Pull up the table top and the steel bars



Step 23: Put the Plastic Wheel into the position

