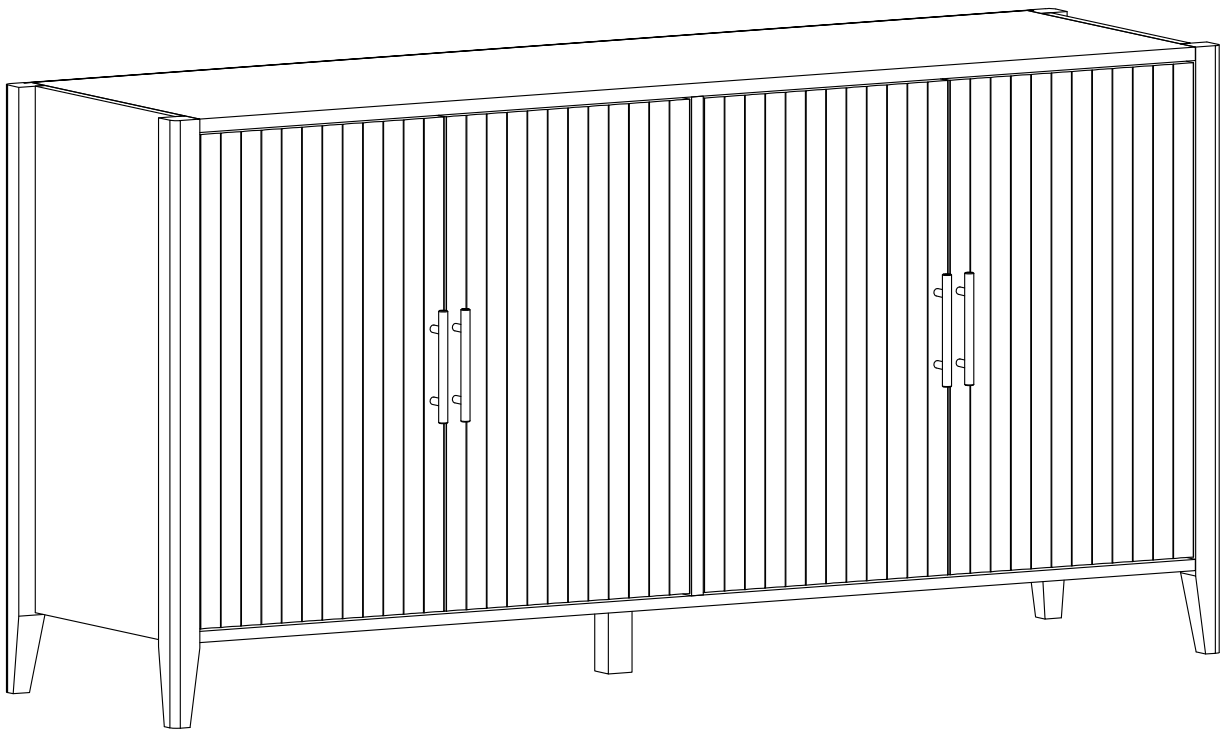
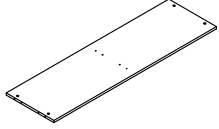
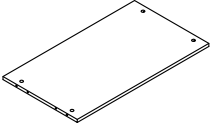
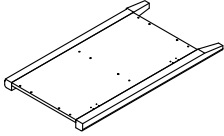

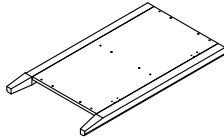
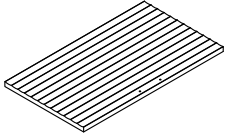
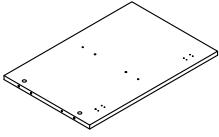
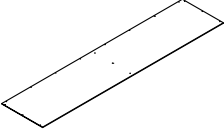
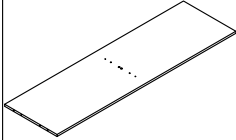


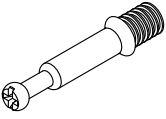

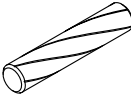
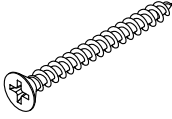
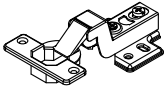
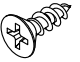
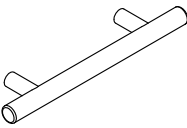
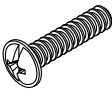
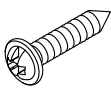
**SKU:WF300428**



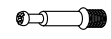
# PARTS LIST

NO	DESCRIPTION	SKETCH	QTY	NO	DESCRIPTION	SKETCH	QTY
①	Top panel		1pc	⑥	Fixed shelf		2pcs
②	Left side frame		1pc	⑦	Leg		1pc
③	Right side frame		1pc	⑧	Door		4pcs
④	Center divided panel		1pc	⑨	Back panel		2pcs
⑤	Bottom panel		1pc				

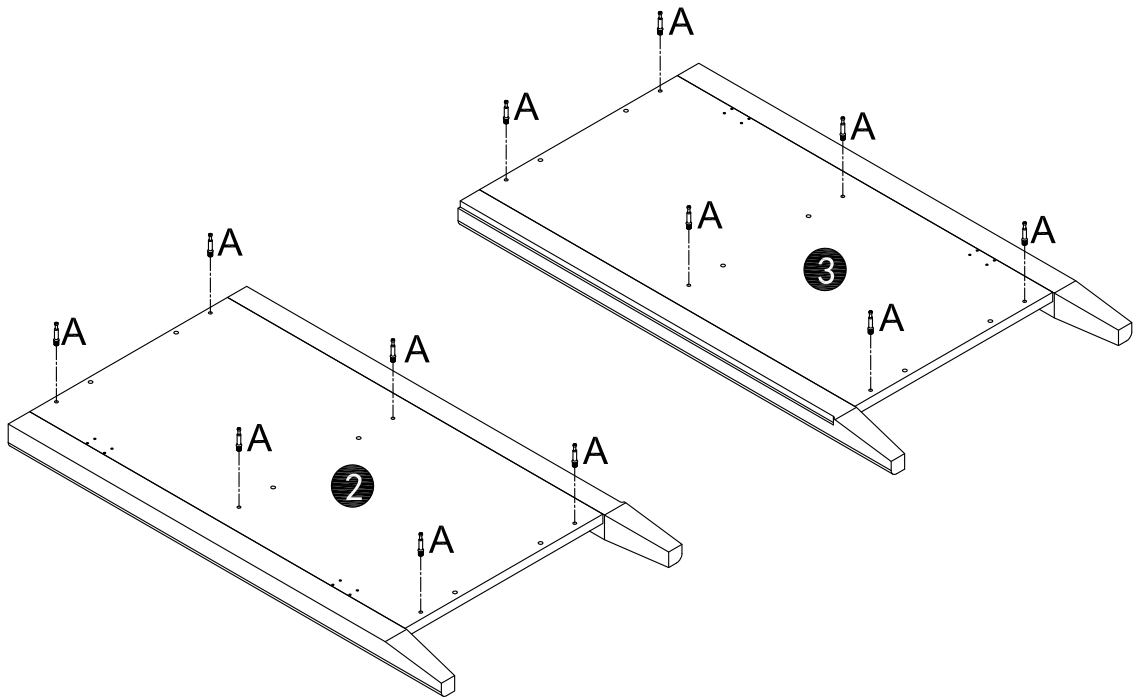
# HARDWARE LIST

<p>A x 18</p>  <p>Ø6x35mm</p>	<p>B x 18</p>  <p>Ø15x9mm</p>	<p>C x 20</p>  <p>Ø6x30mm</p>	<p>D x 4</p>  <p>Ø4x40mm</p>	<p>E x 8</p> 	<p>F x 48</p>  <p>Ø4x12mm</p>
<p>G x 4</p> 	<p>H x 8</p>  <p>Ø4x18mm</p>	<p>I x 34</p>  <p>Ø2.5x10mm</p>			

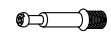
1



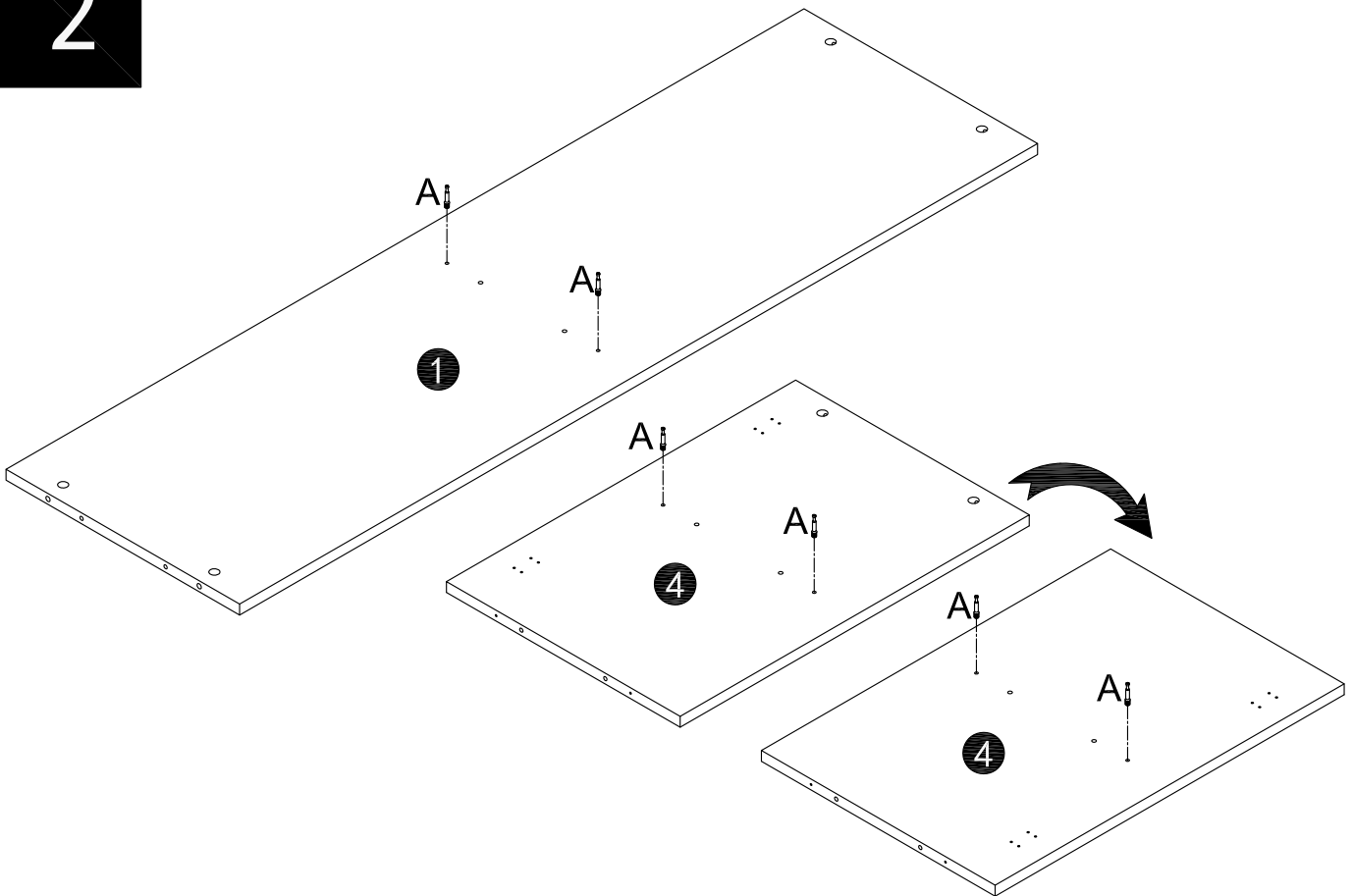
Ax12pcs



2



Ax6pcs



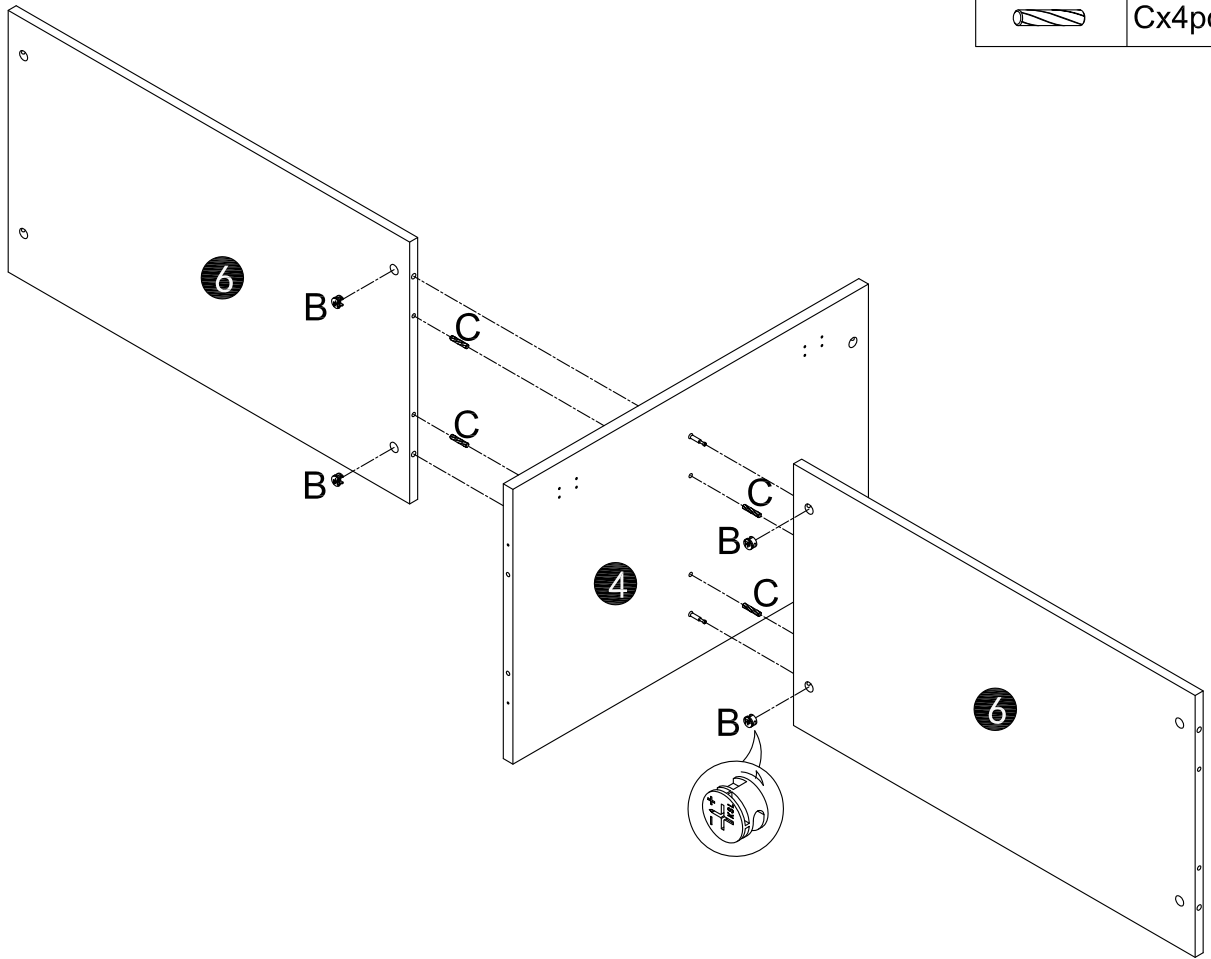
3



Bx4pcs



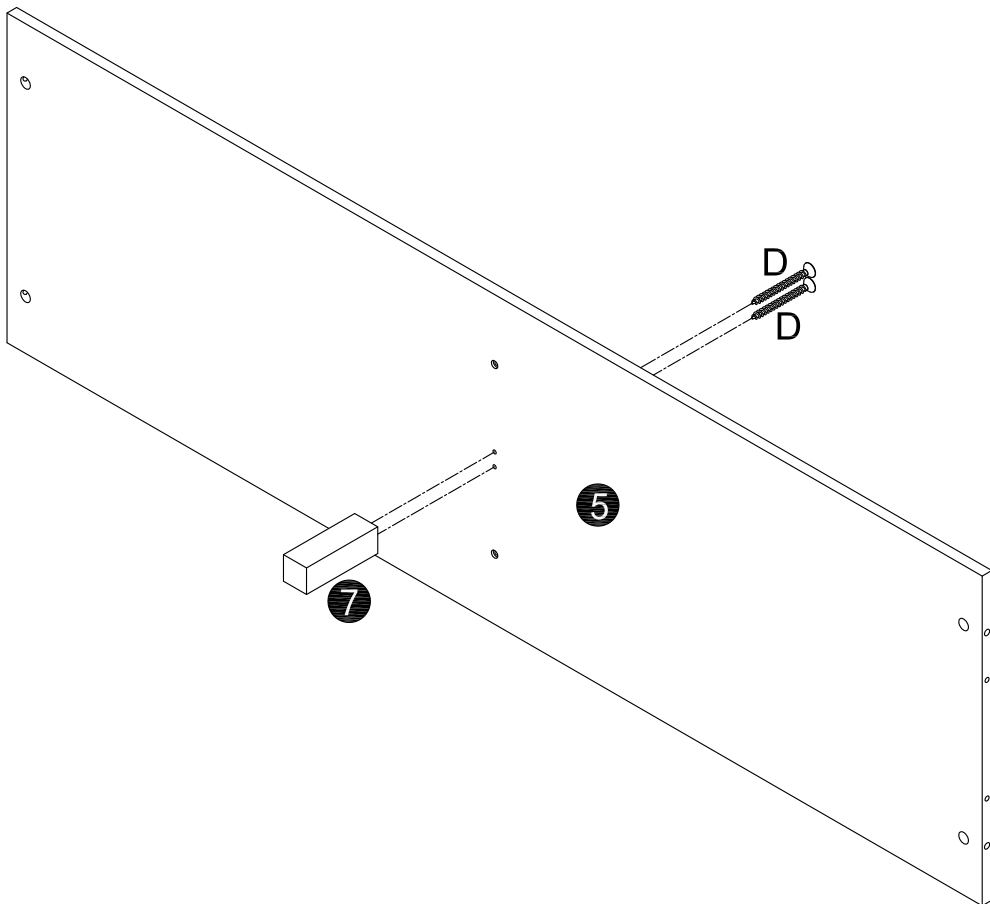
Cx4pcs



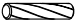
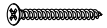
4

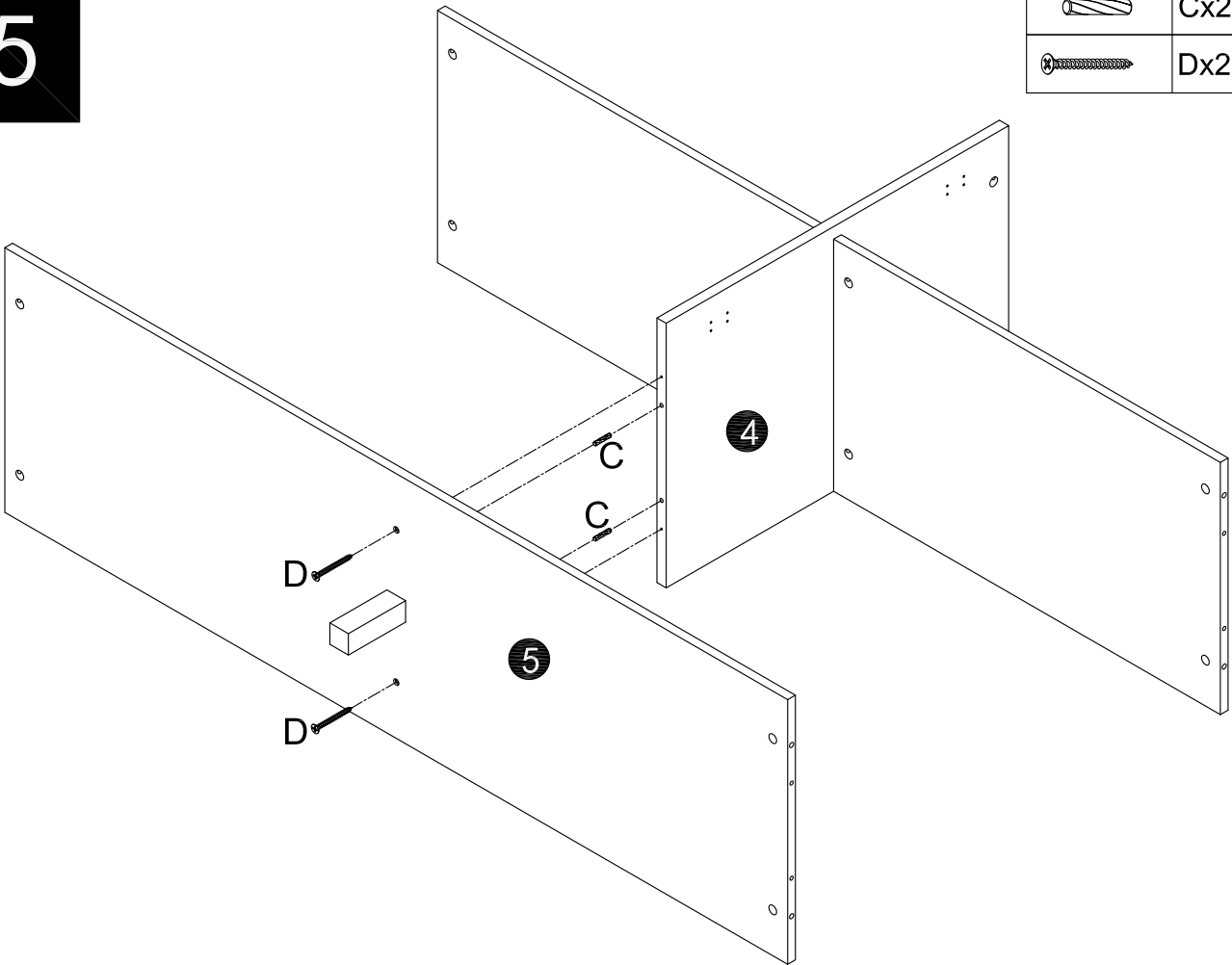


Dx2pcs


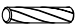


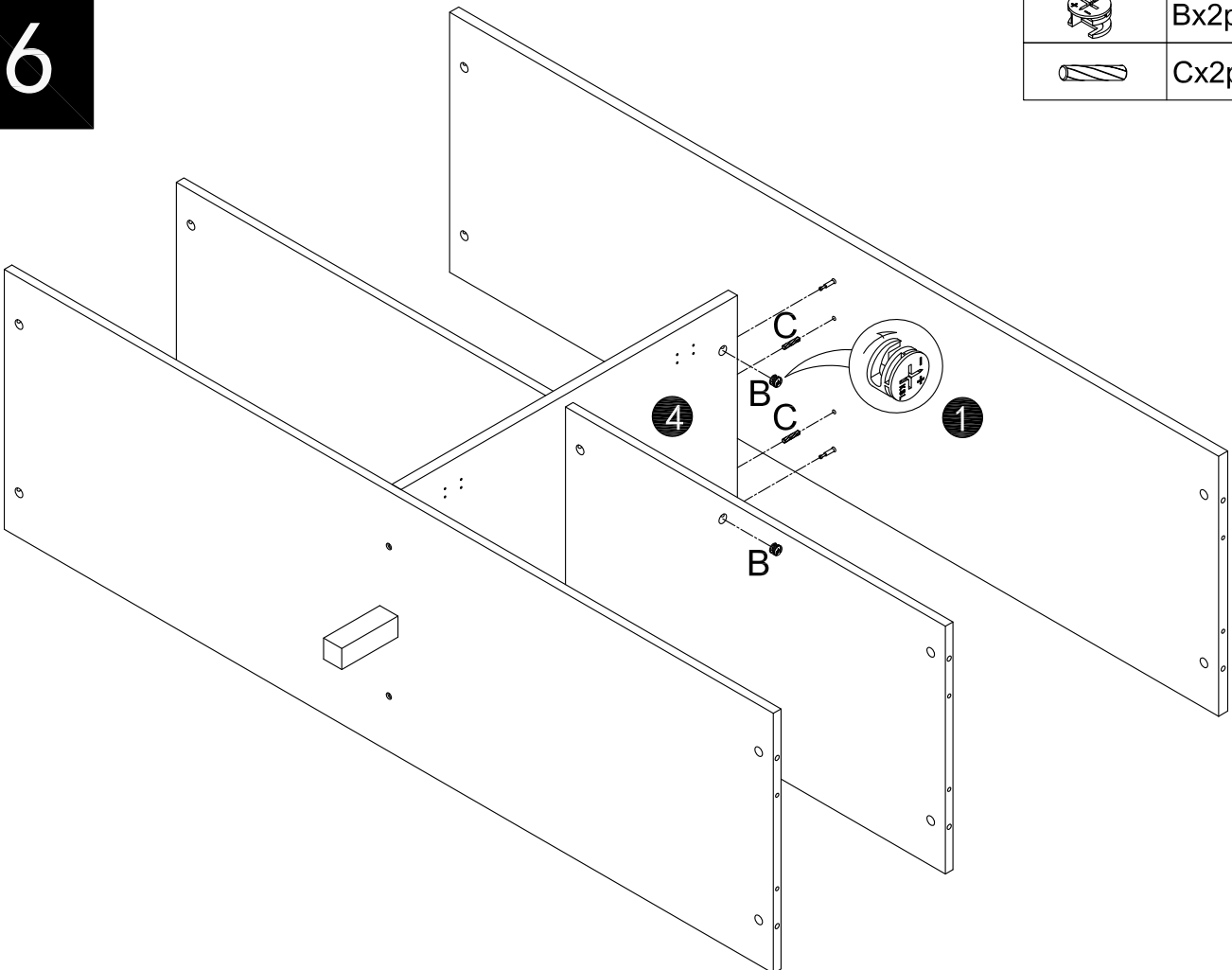
5

	Cx2pcs
	Dx2pcs


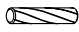


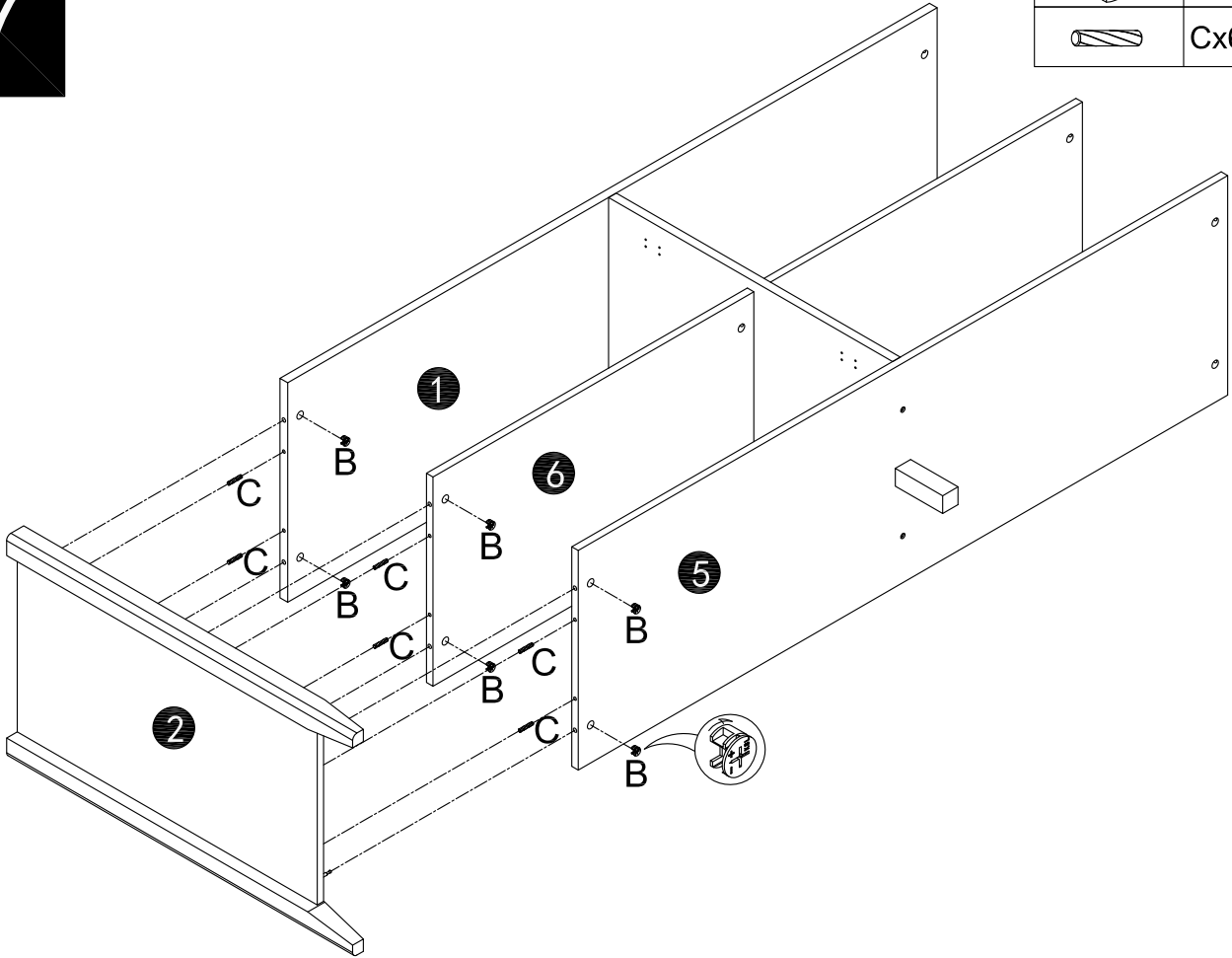
6

	Bx2pcs
	Cx2pcs




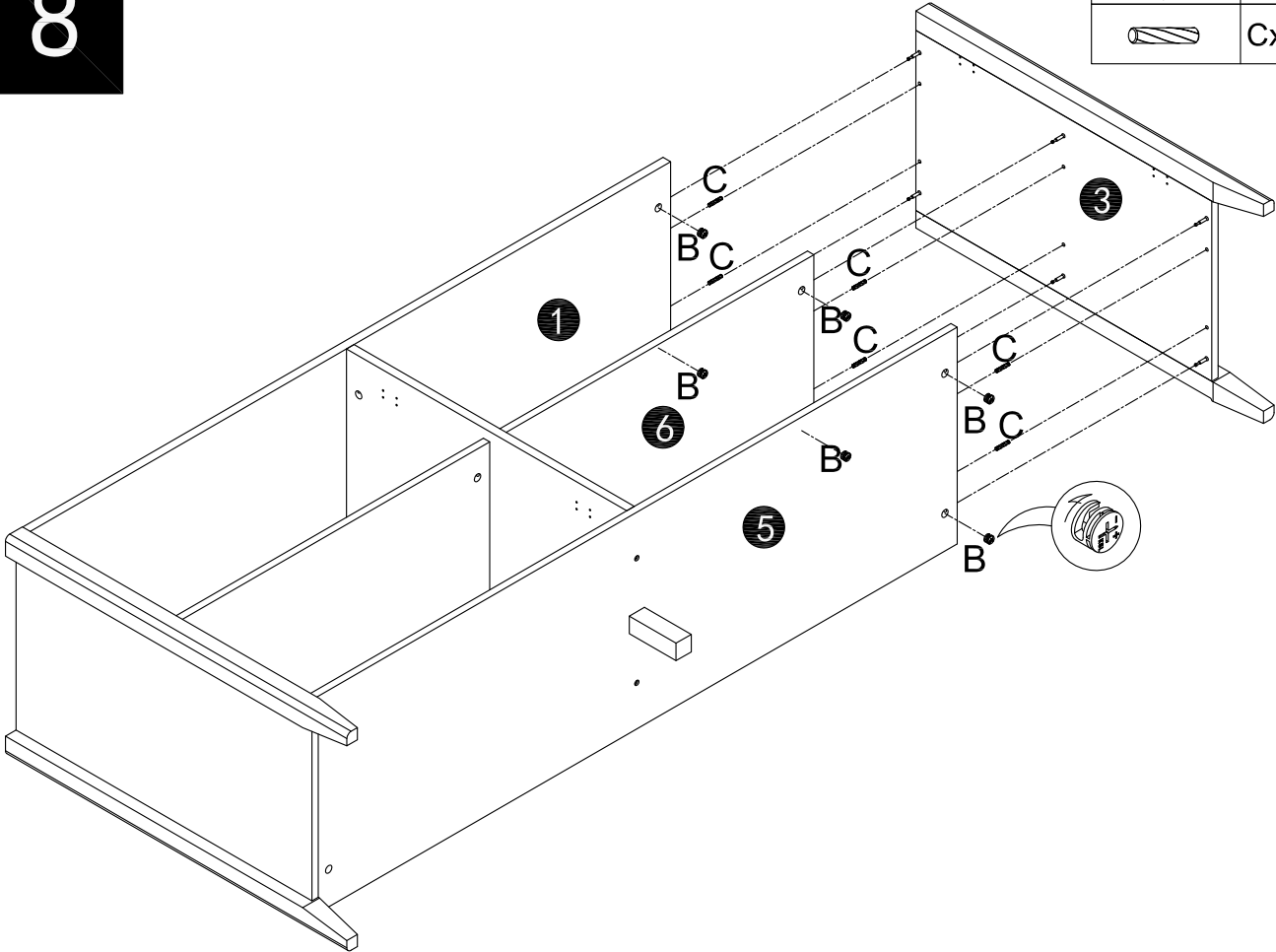
7

	Bx6pcs
	Cx6pcs

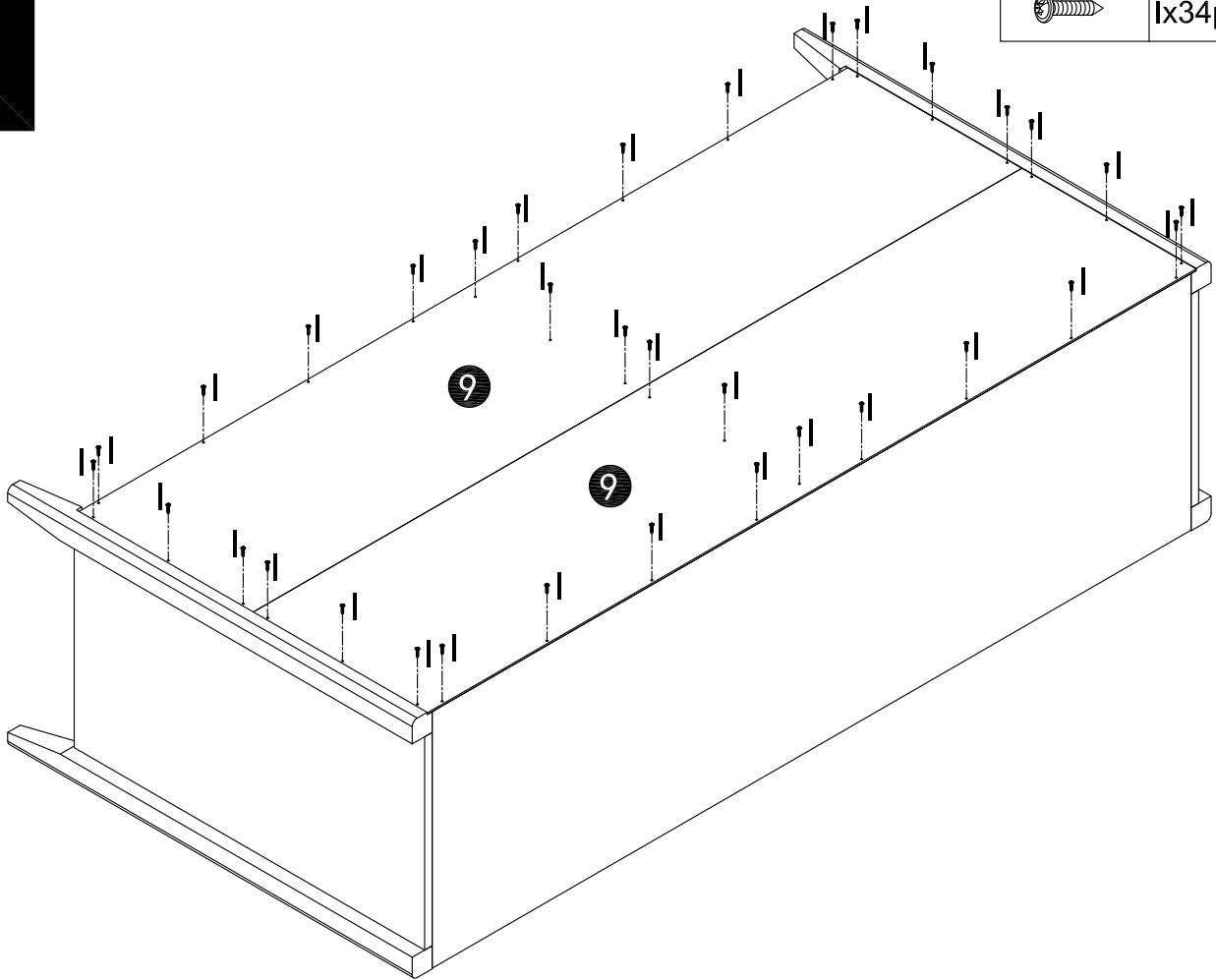


8

	Bx6pcs
	Cx6pcs



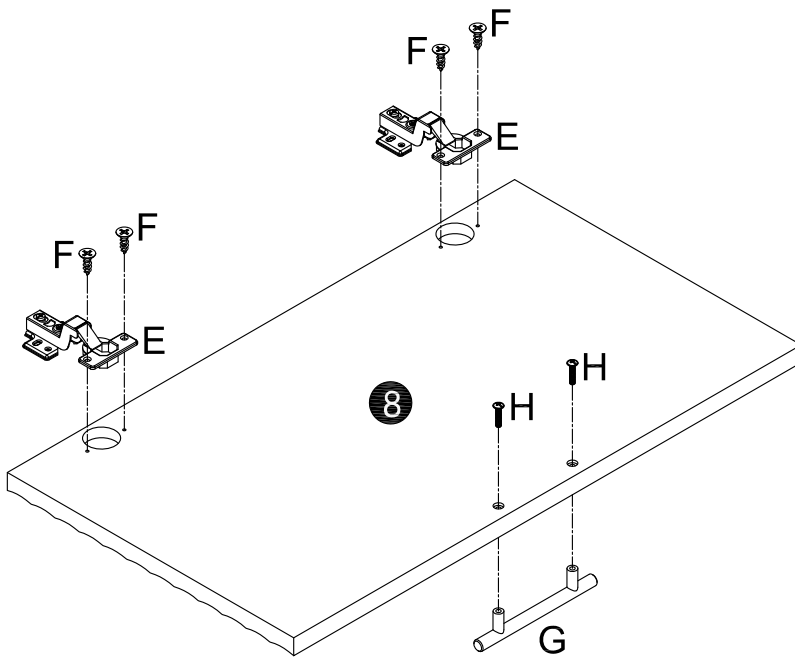
9



Ix34pcs

10

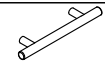
x4



Ex8pcs



Fx16pcs



Gx4pcs



Hx8pcs

11



Fx32pcs

