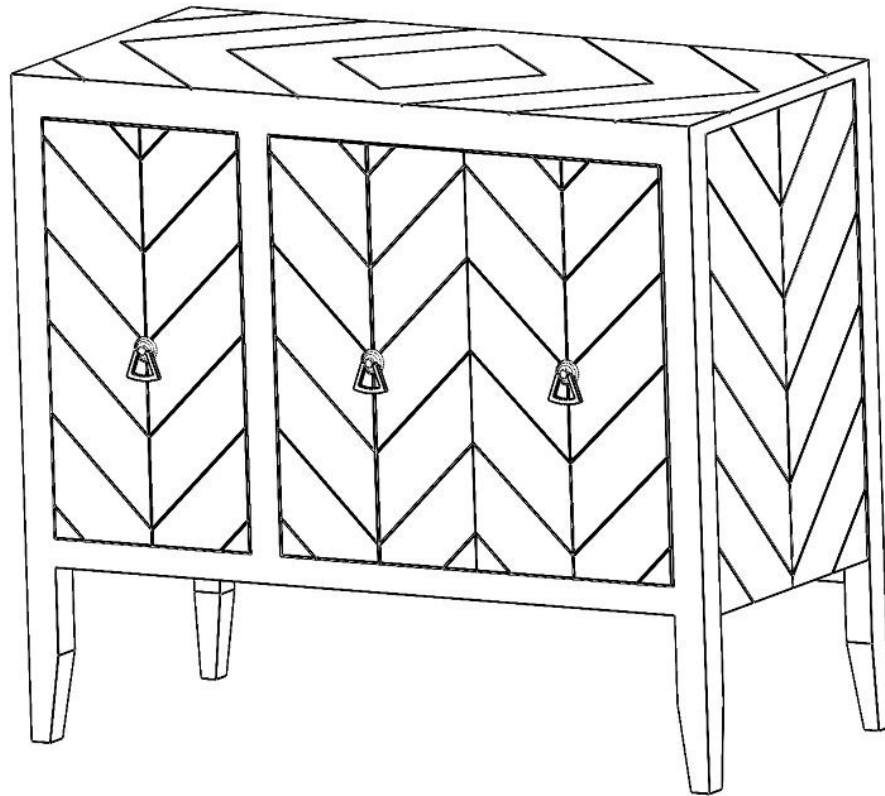
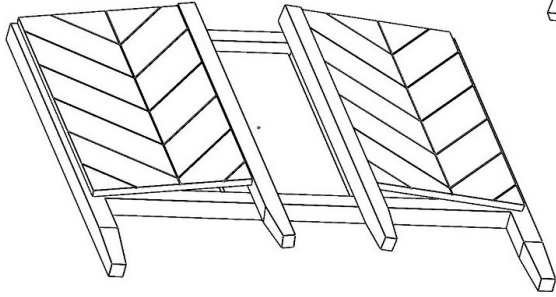


# ASSEMBLY INSTRUCTION

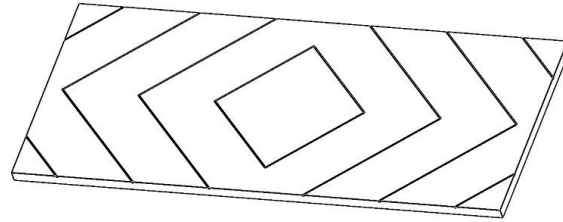
WF297767



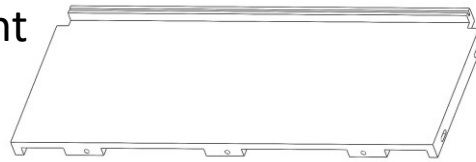
## PART LIST



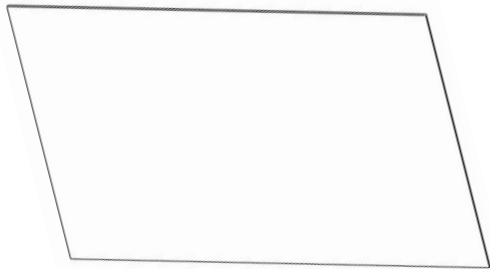
**(A)** Front+Side Component  
Q.ty: 1 pc



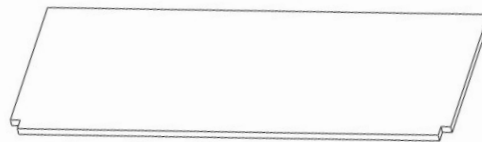
**(B)** Top component  
Q.ty: 1 pc



**(C)** Bottom component  
Q.ty: 1 pc



**(D)** Back panel  
Q.ty: 1 pc



**(E)** Middle component  
Q.ty: 1 pc

## HARDWARE LIST



**(1)** 6X30mm  
Q.ty: 14 pcs



**(2)** 6X20mm  
Q.ty: 14 pcs



**(3)** 4X20mm  
Q.ty: 3 pcs






**(4)** Q.ty: 3 pcs



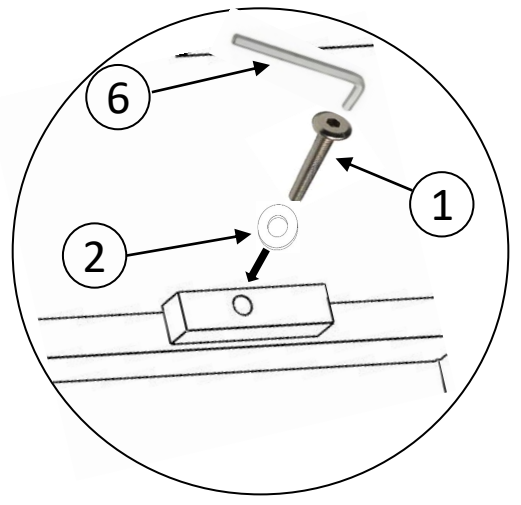
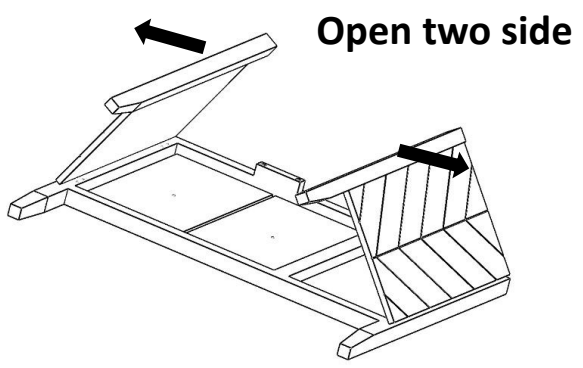
**(5)** Q.ty: 4 pcs



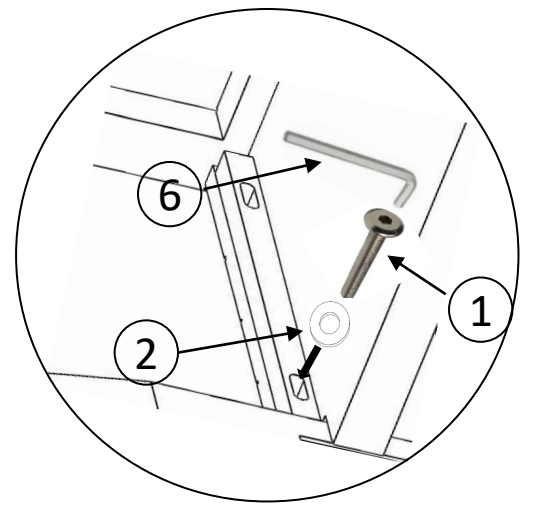
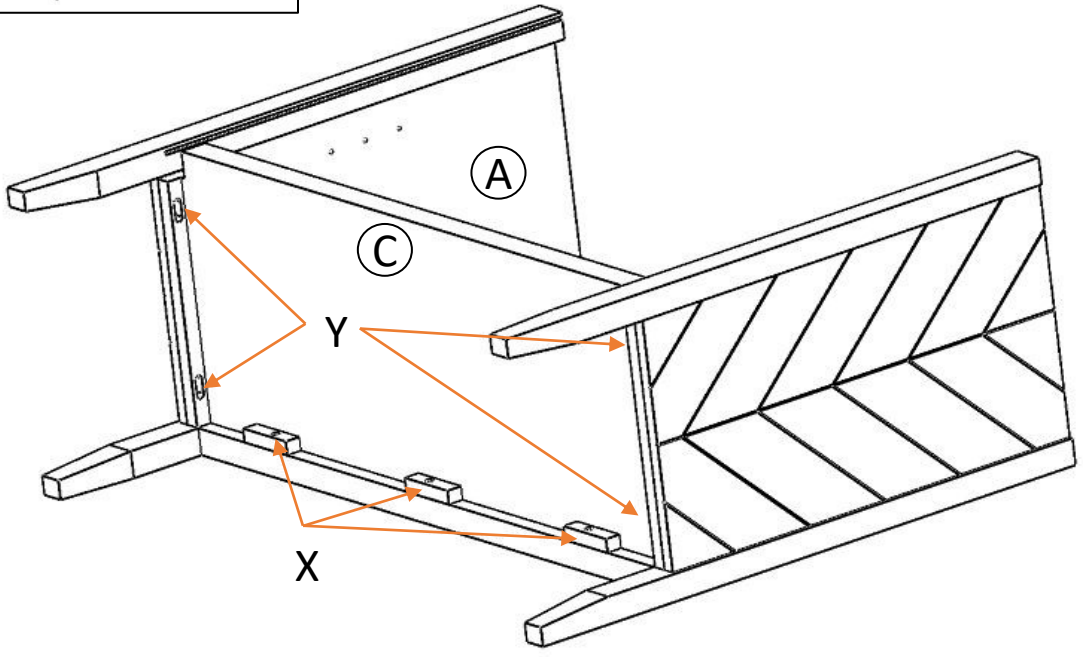
**(6)** Q.ty: 1 pc

<p>①</p> 	<p>②</p> 	<p>⑥</p> 
<p>Q.ty: 7pcs</p>	<p>Q.ty: 7pcs</p>	<p>Q.ty: 1pc</p>

**STEP 1**



DETAIL X



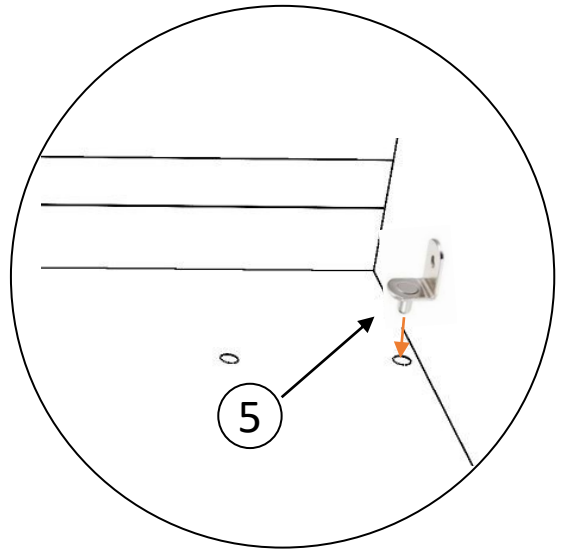
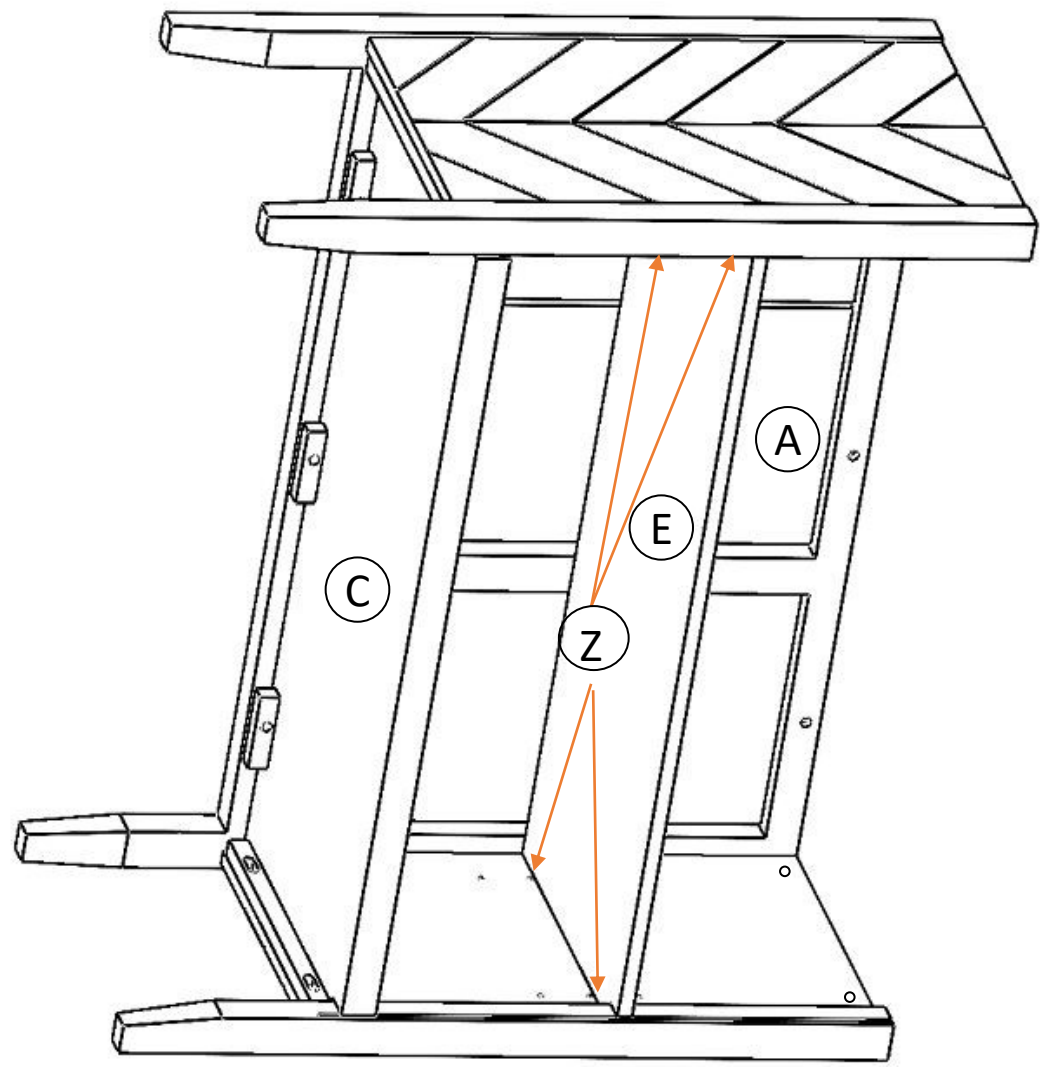
DETAIL Y

5



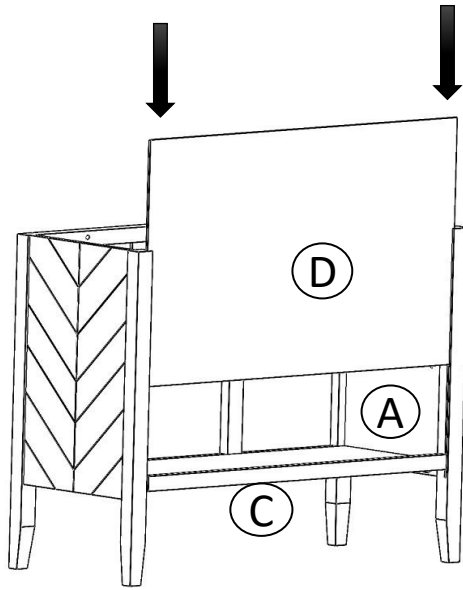
Q.ty: 4pcs

# STEP 2

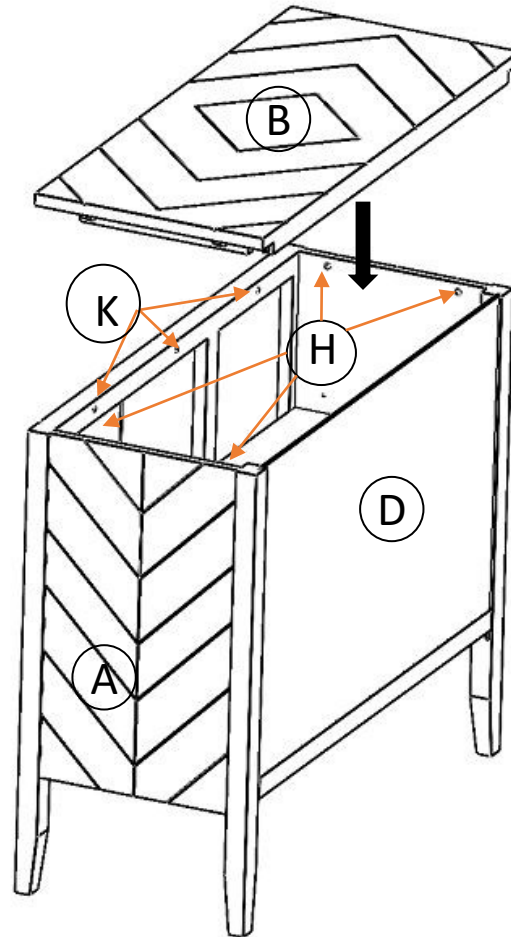


DETAIL Z

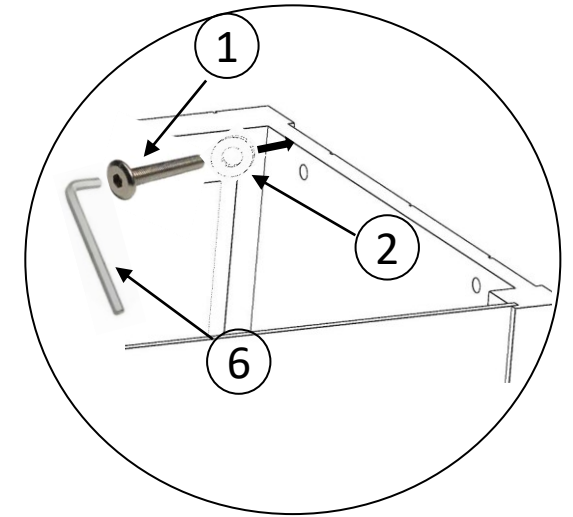
### STEP 3



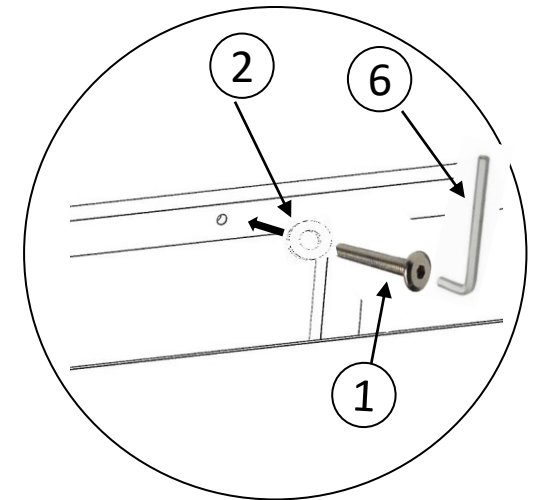
①	②	⑥
Q.ty: 7pcs	Q.ty: 7pcs	Q.ty: 1pc



### STEP 4



### DETAIL H



### DETAIL K

Open the door then attach Top panel with side panel using: Bolts (1), washers (2) from inside  
Tighten Bolts with provided Allen key (6)

4



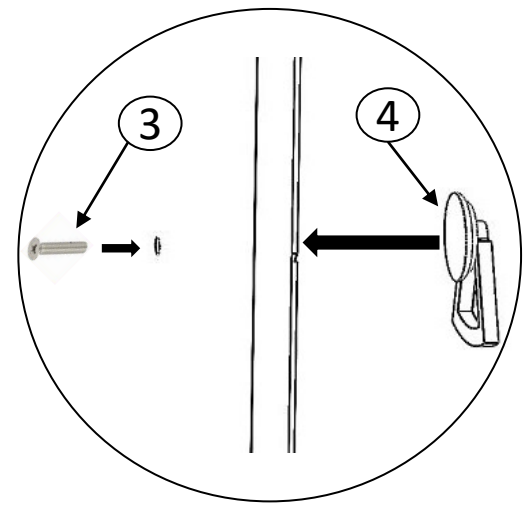
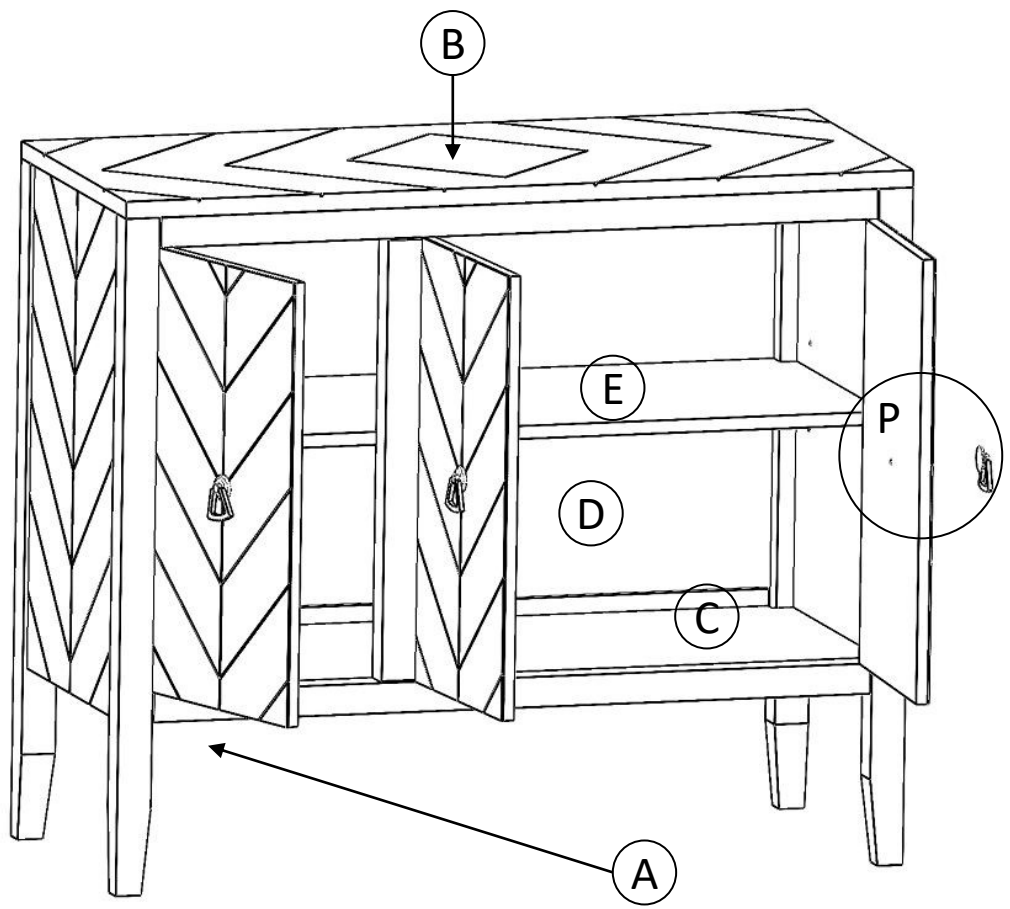
Q.ty: 3pcs

3



Q.ty: 3pcs

# STEP 5



DETAIL P