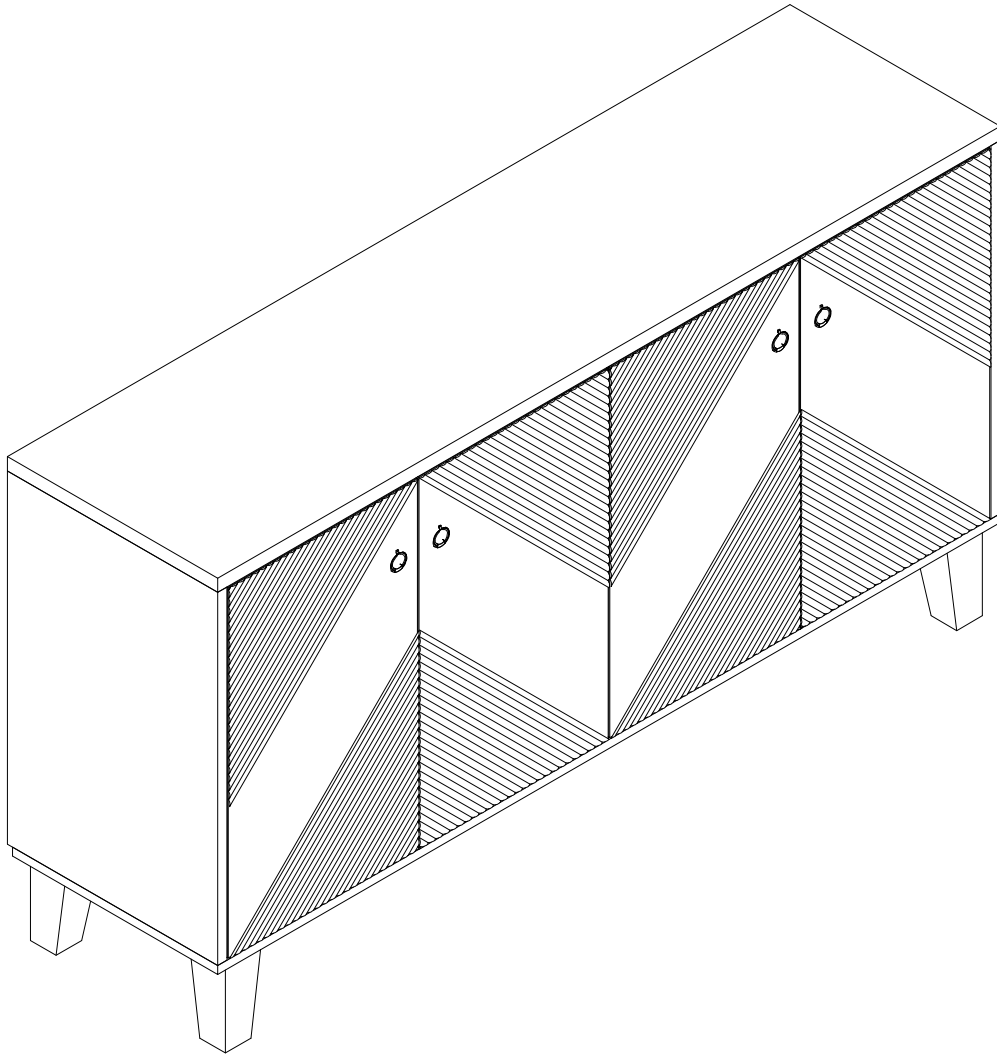
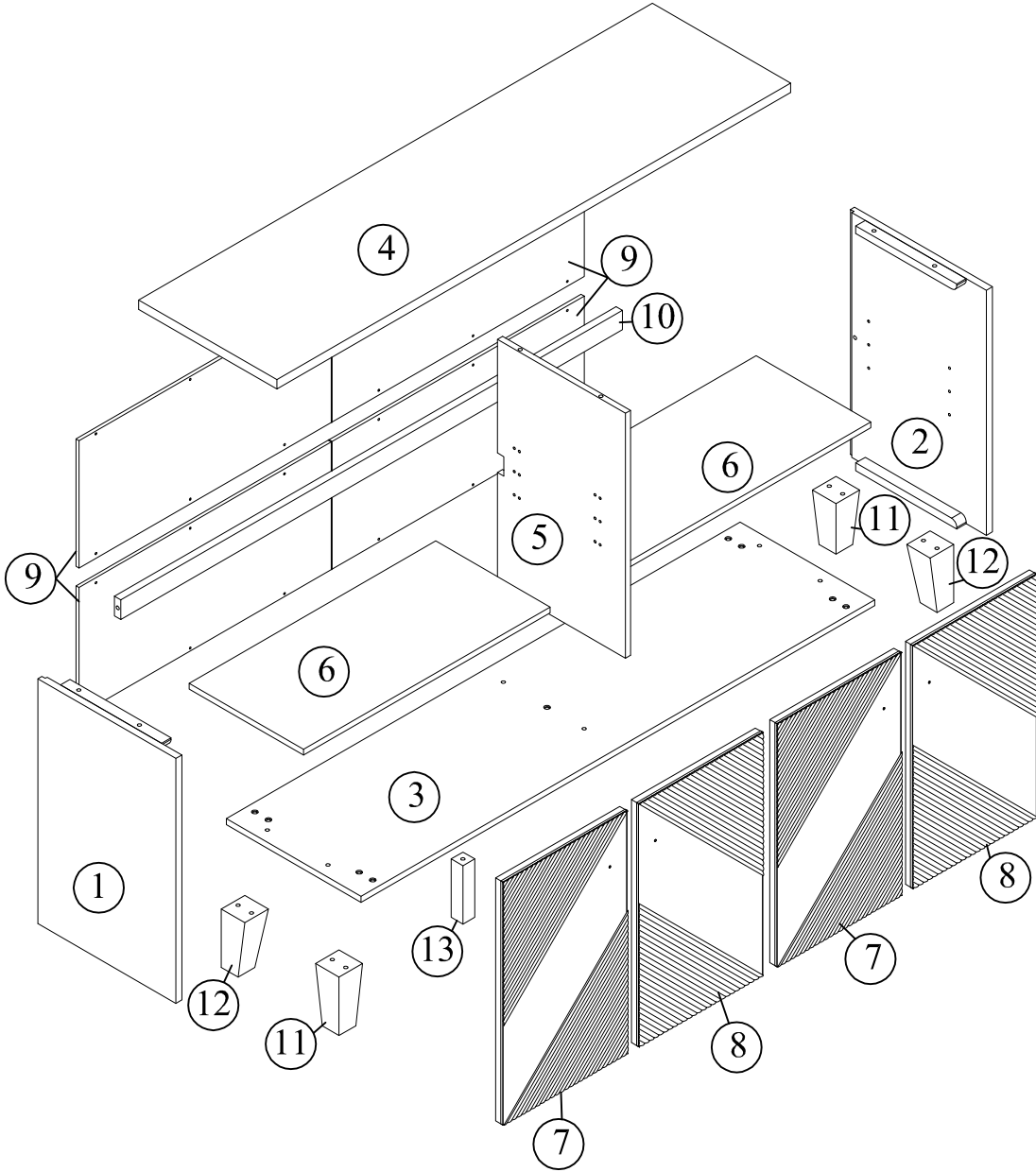


# ASSEMBLY INSTRUCTION

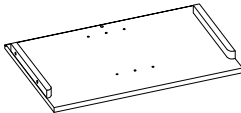
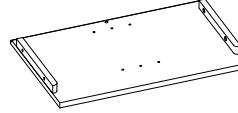
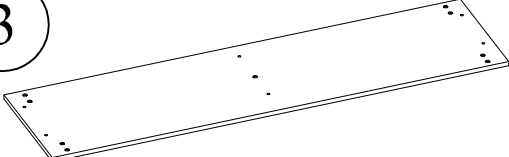
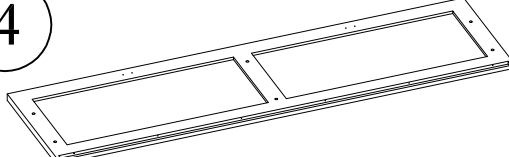
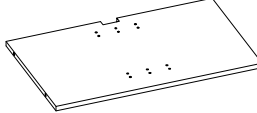
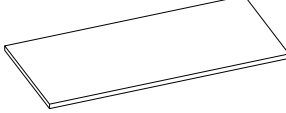
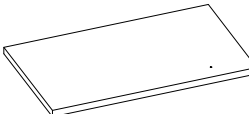
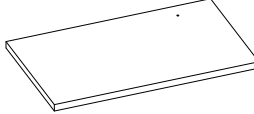
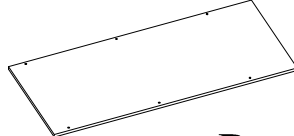
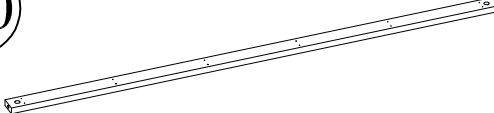

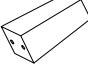

SKU CODE: N711P177920




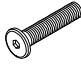










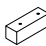

# Detail view



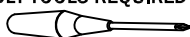
# Part List ( N711P177920 )

<p>1</p>  <p>Cabinet side-1PC</p>	<p>2</p>  <p>Cabinet side-1PC</p>
<p>3</p>  <p>Cabinet bottom-1PC</p>	<p>4</p>  <p>Cabinet top-1PC</p>
<p>5</p>  <p>Mid Cabinet-1PC</p>	<p>6</p>  <p>Cabinet shelf- 2PCS</p>
<p>7</p>  <p>Door Cabinet - 2PCS</p>	<p>8</p>  <p>Door Cabinet - 2PCS</p>
<p>9</p>  <p>Panel - 4PCS</p>	<p>10</p>  <p>Crossbar - 1PC</p>
<p>11</p>  <p>Leg Supports - 2PCS</p>	<p>12</p>  <p>Leg Supports - 2PCS</p>
<p>13</p>  <p>Leg Supports - 1PC</p>	

# Hardware List - N711P177920

No.	OUTLOOK	DESC	QTY
(A)		Bolts 1/4"*25mm	08
(B)		Bolts 1/4"*30mm	09
(C)		Door Hinge	04
(D)		Door Hinge	04
(E)		Connecting Bolt	06
(F)		Connector Housing	06
(G)		Door Knob	04
(H)		Base L	08
(I)		Screws #8*30mm	04
(J)		Round head screw #8*20mm	24
(K)		Screws #6*12mm	48
(L)		Horizontal lock	01
(M)		Wood stops	02
(N)		Anti-flip cabinet set	01

ASSEMBLY TOOLS REQUIRED (NOT INCLUDED)

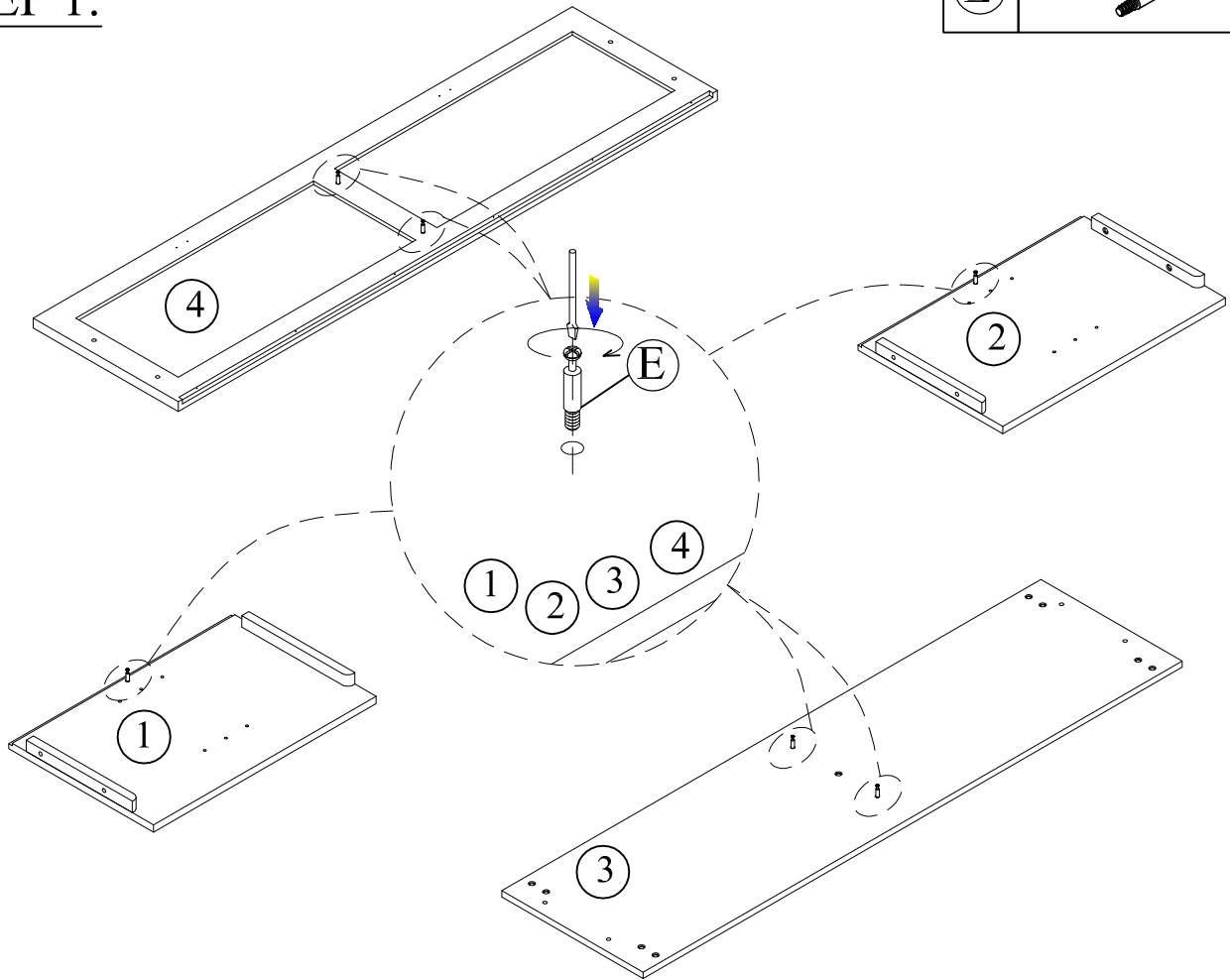


STEP 1:

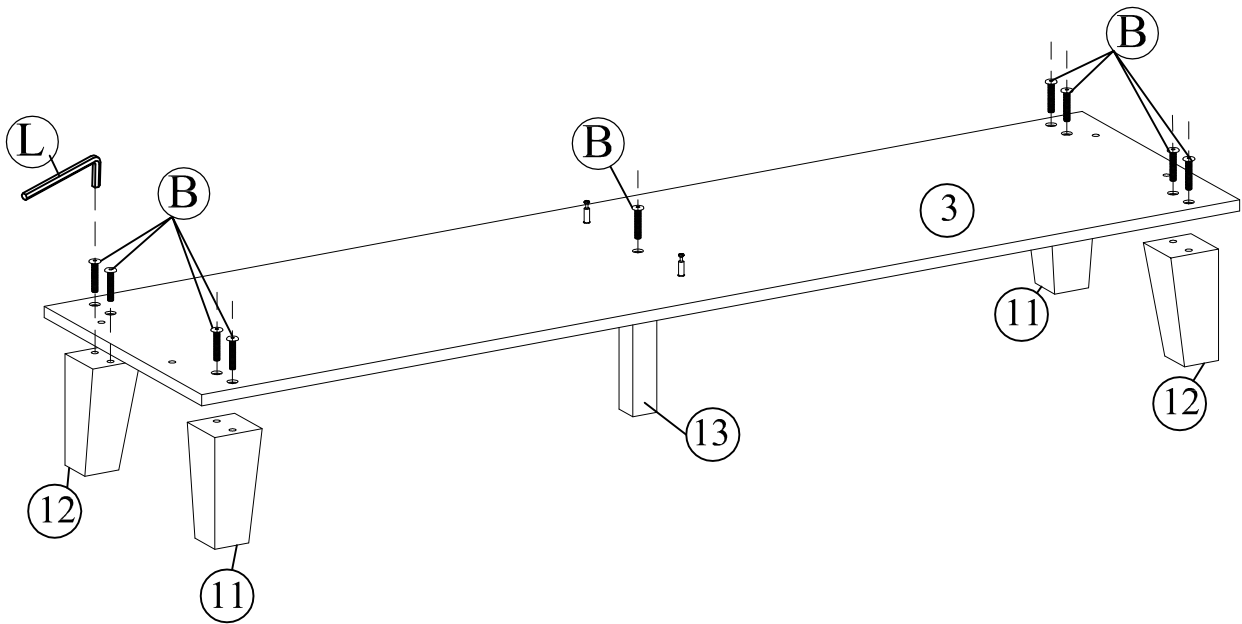
(E)



06



STEP 2:



(B)



09

(L)



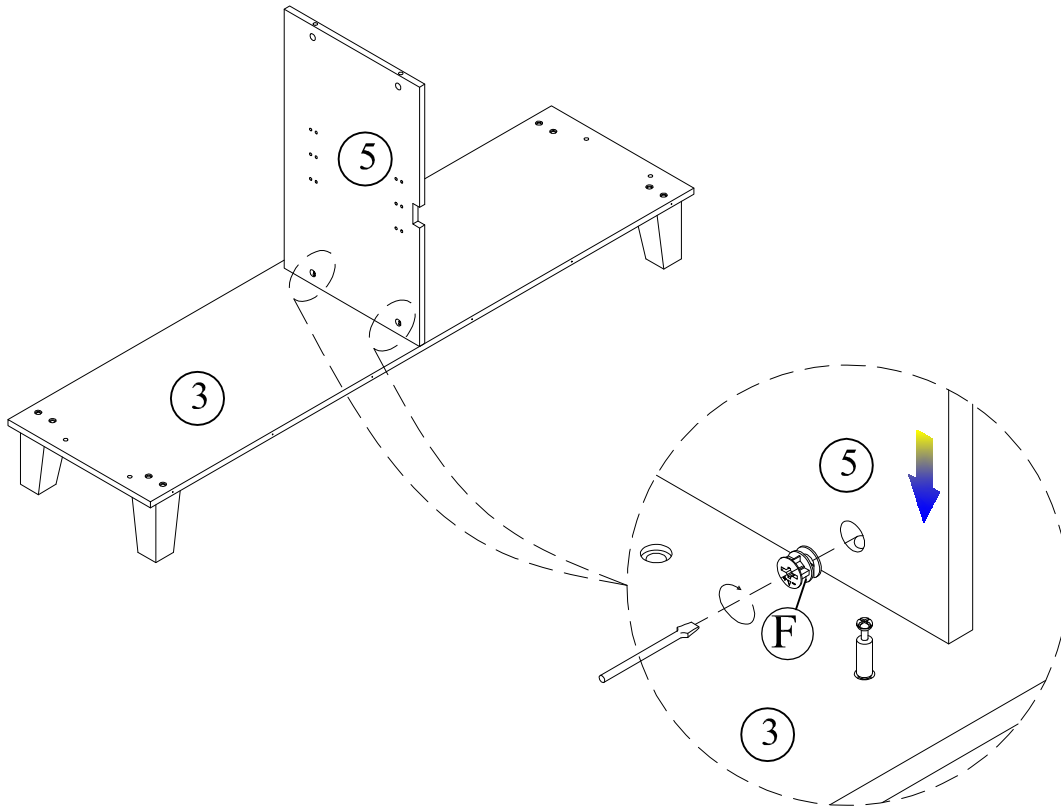
01

# STEP 3:

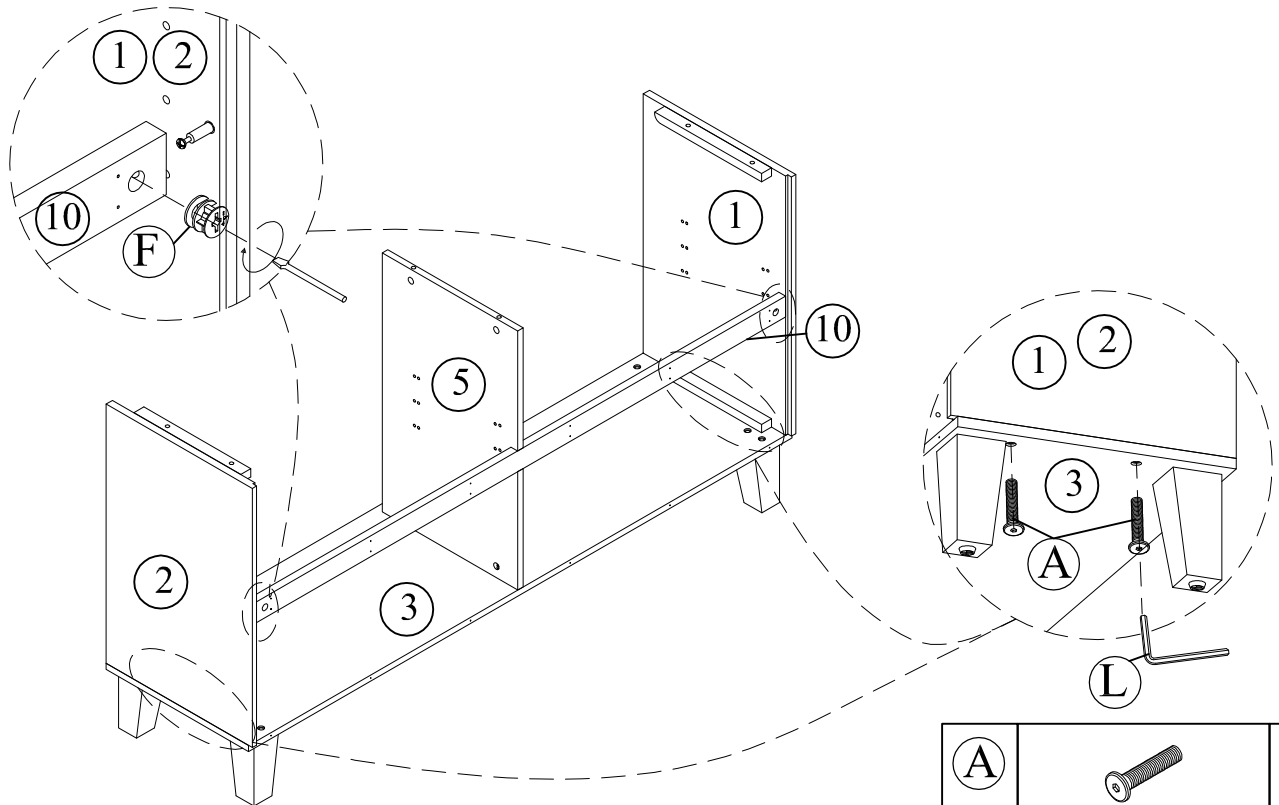
F



02



# STEP 4:



A



04

F



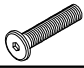


02

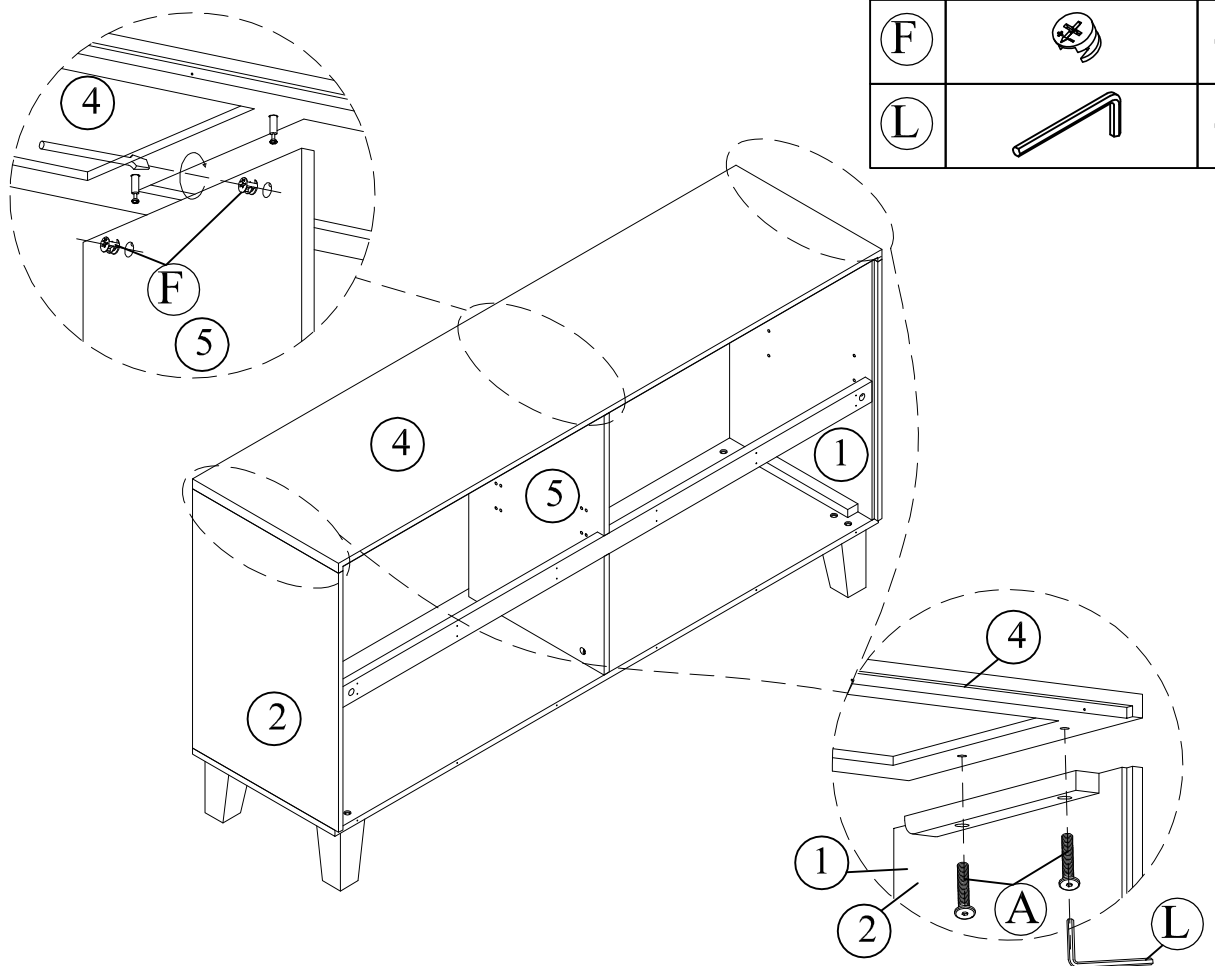
L



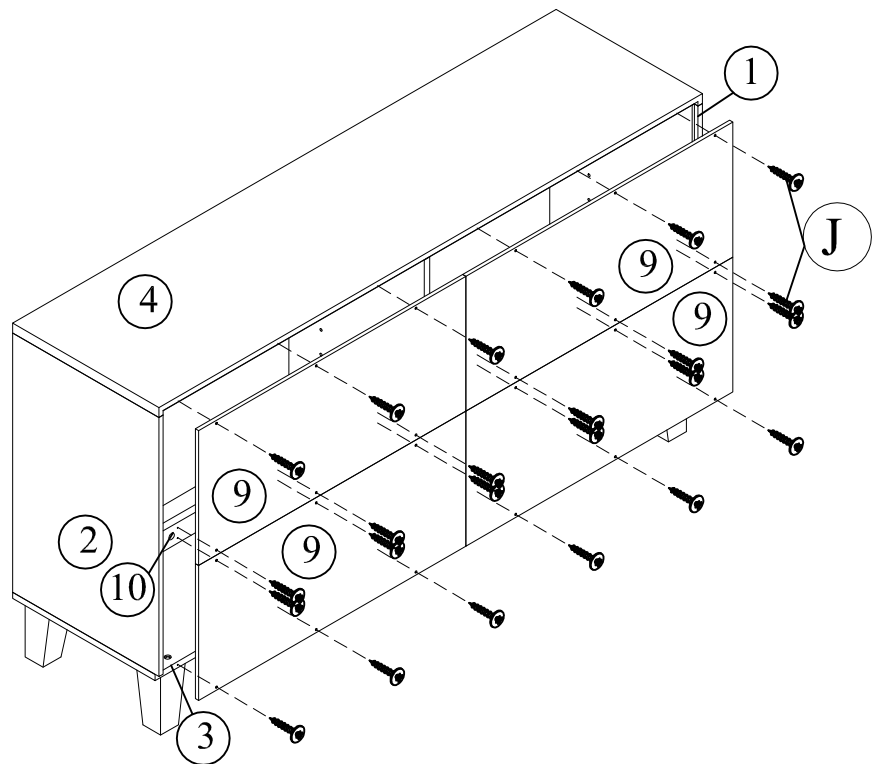
01

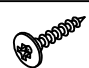
**STEP 5:**

(A)		04
(F)		02
(L)		01



**STEP 6:**



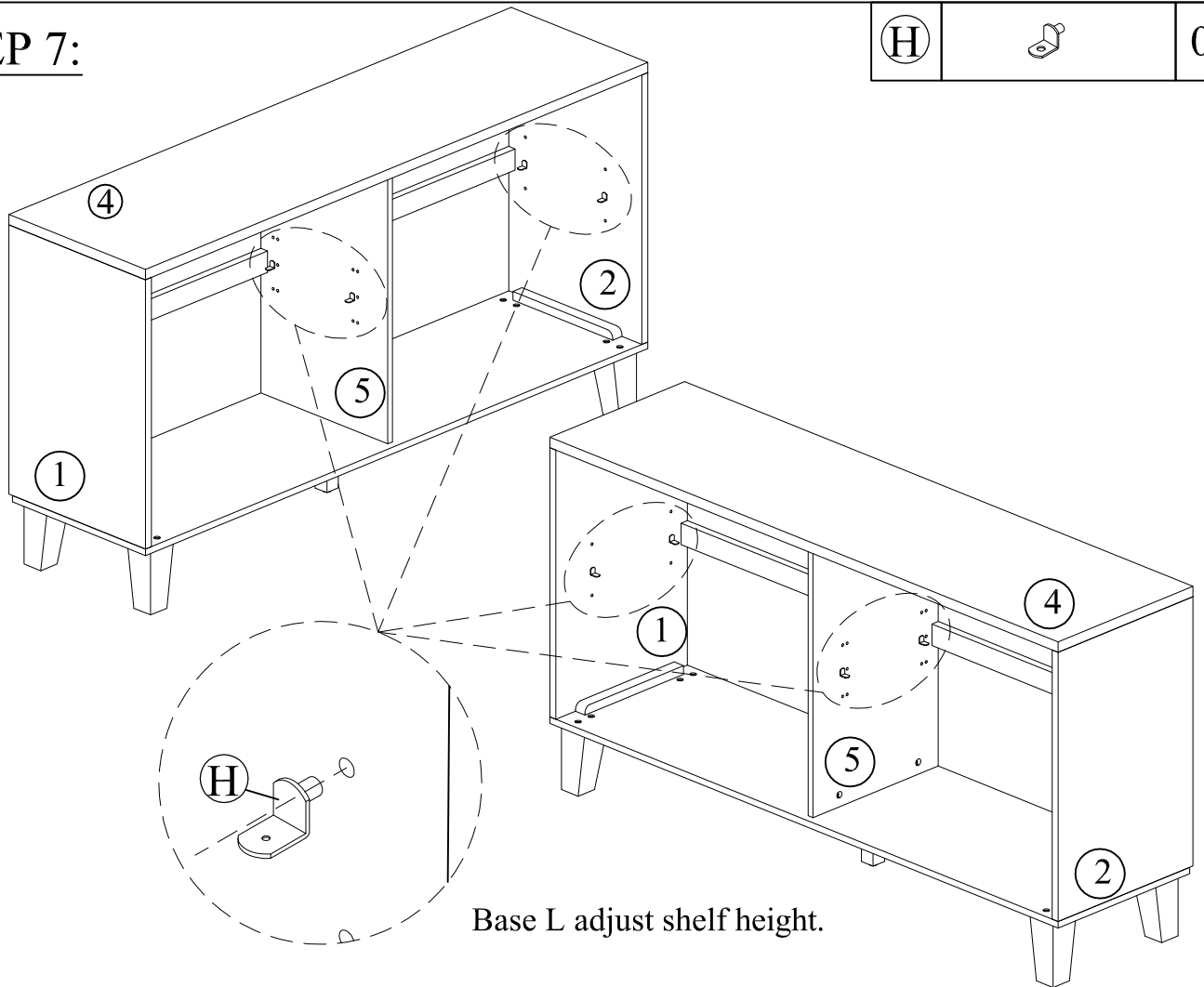
(J)		24
-----	---	----

# STEP 7:

(H)



08



Base L adjust shelf height.

# STEP 8:

(I)

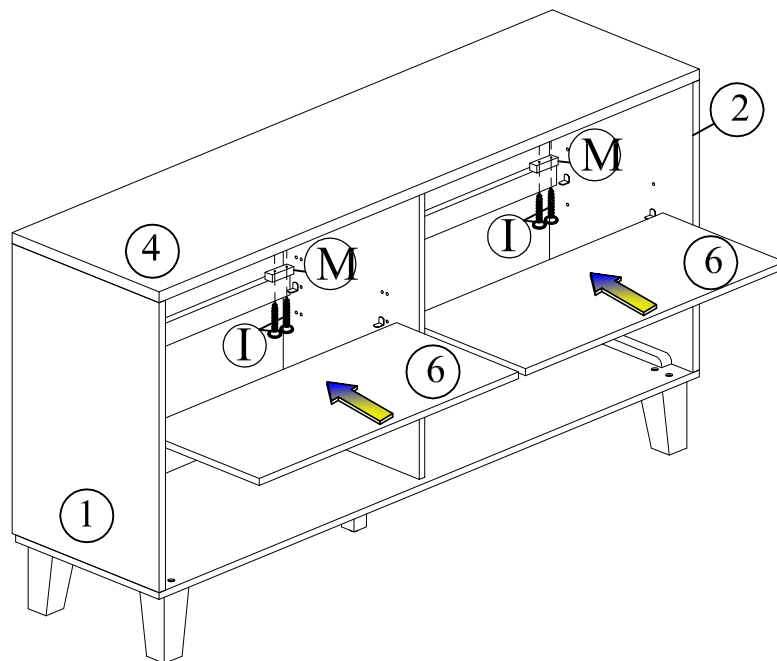


04

(M)





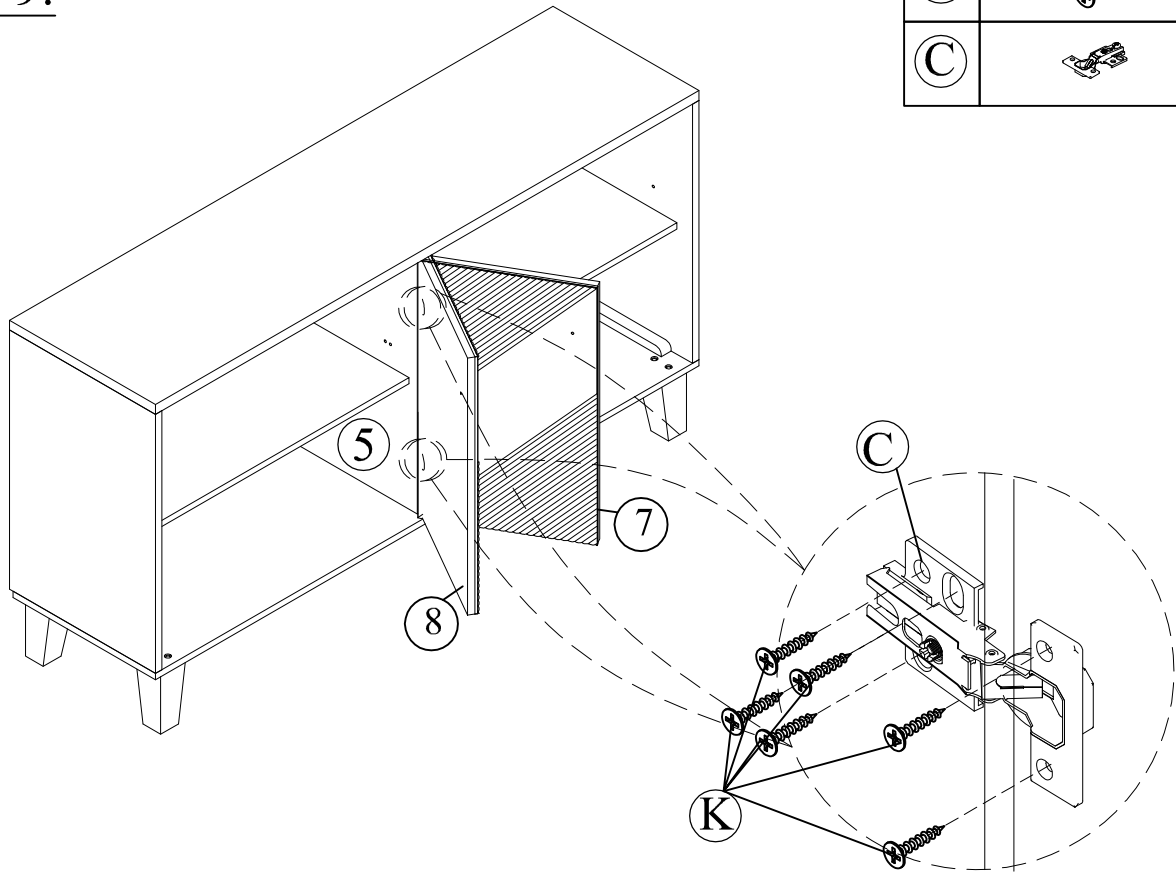
02







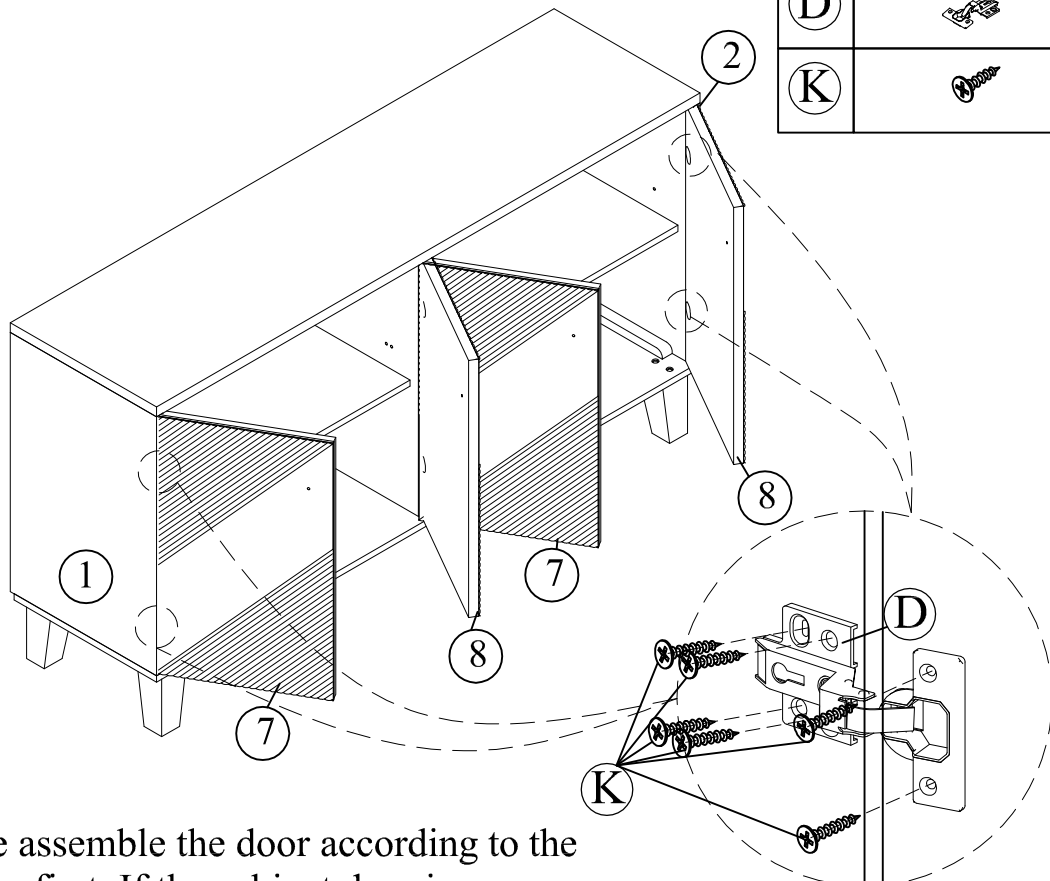
## STEP 9:

(K)		24
(C)		04



## STEP 10:

(D)		04
(K)		24



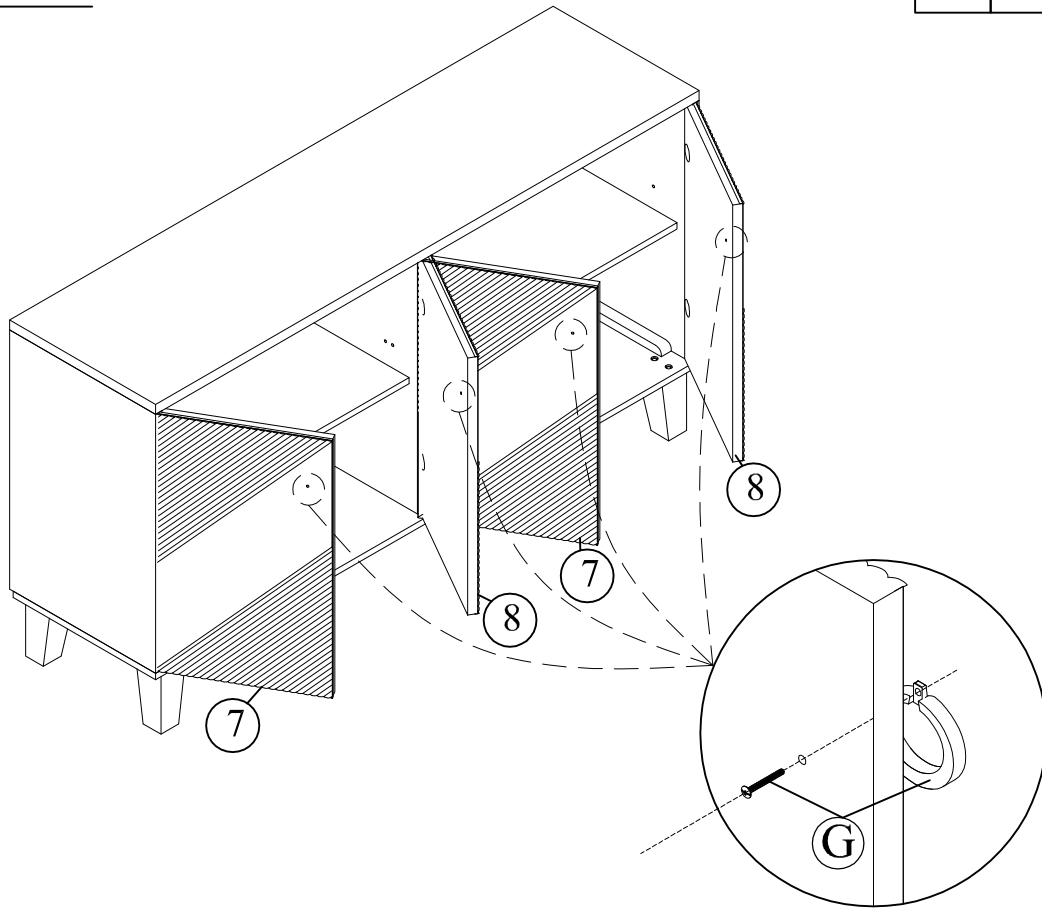
\*Note: Please assemble the door according to the installation steps first. If the cabinet door is deviated, the internal hinge needs to be slowly adjusted to solve the problem.

**STEP 11:**

G



04

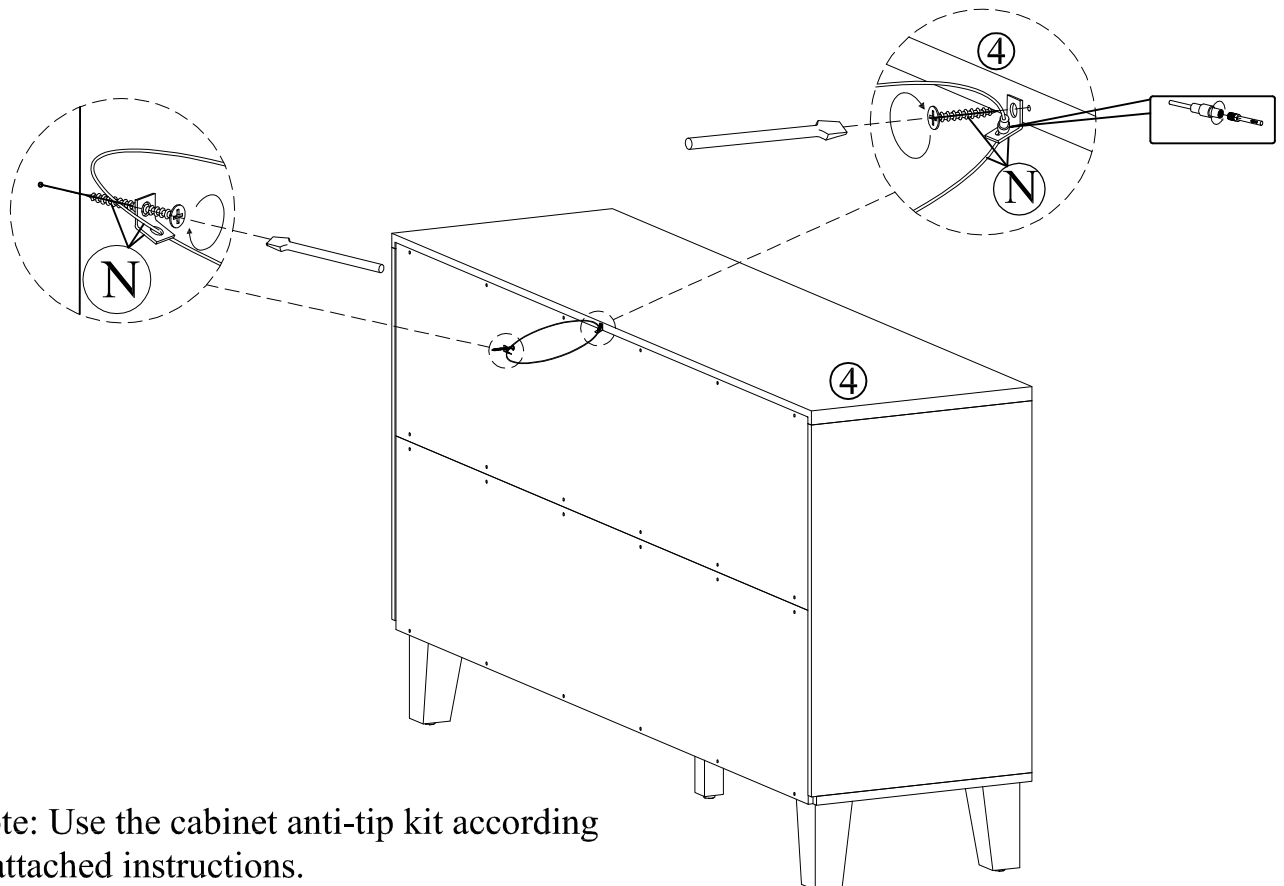


**STEP 12:**

N

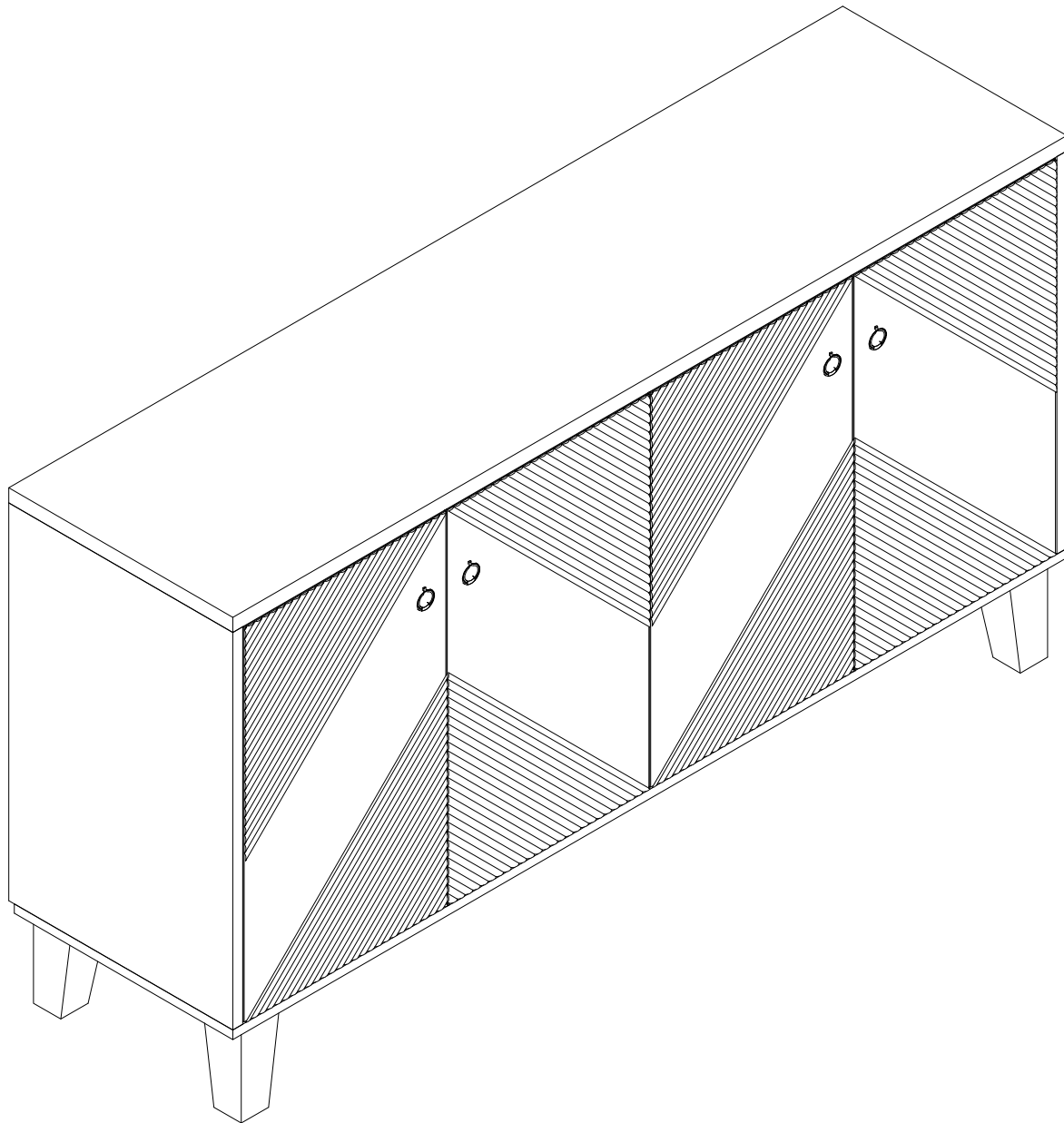


01



\* Note: Use the cabinet anti-tip kit according to the attached instructions.

FINAL:



1. Note: This is not a clothing storage cabinet and it is not recommended to use it as a clothing storage cabinet.
2. All cabinets come with TRD, stainless steel or our "L-Bracket" when shipped.