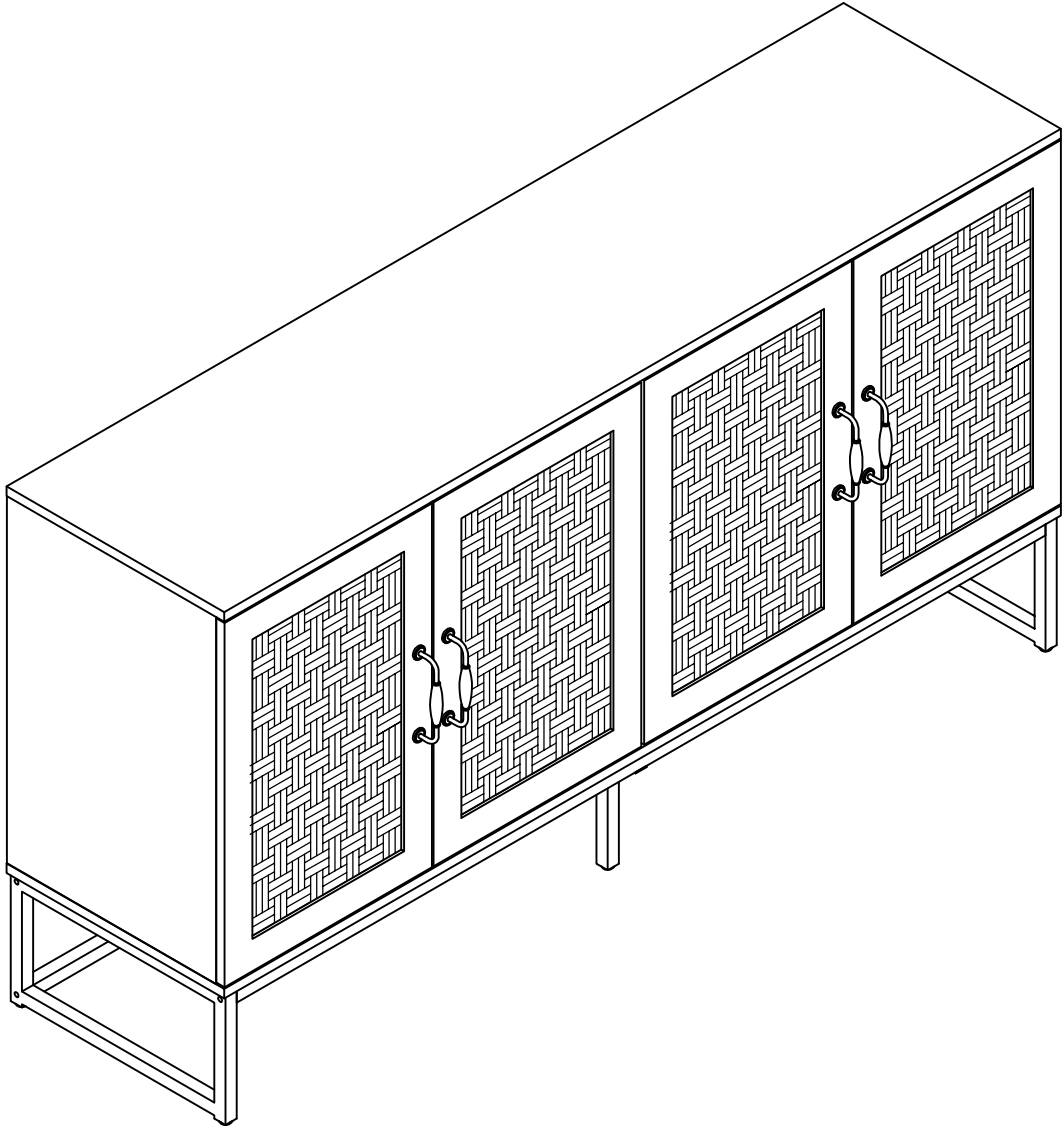


Installation Instruction



Product name

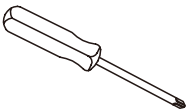
Rattan 4-Door Sideboard

Ver.1.0 20240315

Assembling

What you need

- Use the packaging carton as a working surface to prevent product damage during assembly
- Phillips head screwdriver



Weight Limitation



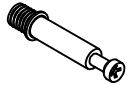
2 PERSONS

What's included

Code	Description	Qty
A	Cam Bolt M6X35MM	16
B	Cam Lock 15X10MM	16
C	Wooden Dowel M6X30MM	14
D	Wooden Dowel M6X50MM	1
E	Plastic Door Catcher	4
F	Screw M3X14MM	8
G	Screw M4X35MM	12
H	Bolt M6X40MM	6
I	Bolt M6X30MM	14
J	Bolt M6X12MM	2
K	Allen Key	1
L	Plastic corner support	8
M	Hinge	4
N	Handle	4
O	Bolt M4X18MM	8
P	Hinge	4
Q	Screw M3.5X14MM	56
R	Metal Support	8
S	Screw M4X14MM	2
T	Nylon Strap	2
U	Anchor M6X30MM	2

The Hardwares

(A)



(B)



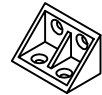
(C)



(D)



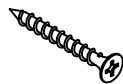
(E)



(F)



(G)



(H)



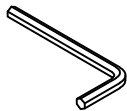
(I)



(J)



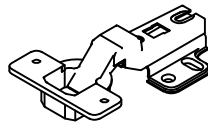
(K)



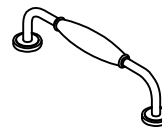
(L)



(M)



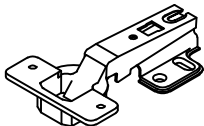
(N)



(O)



(P)



(Q)



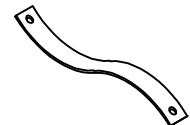
(R)



(S)



(T)

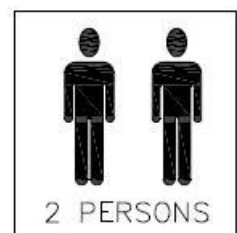


(U)



IMPORTANT:

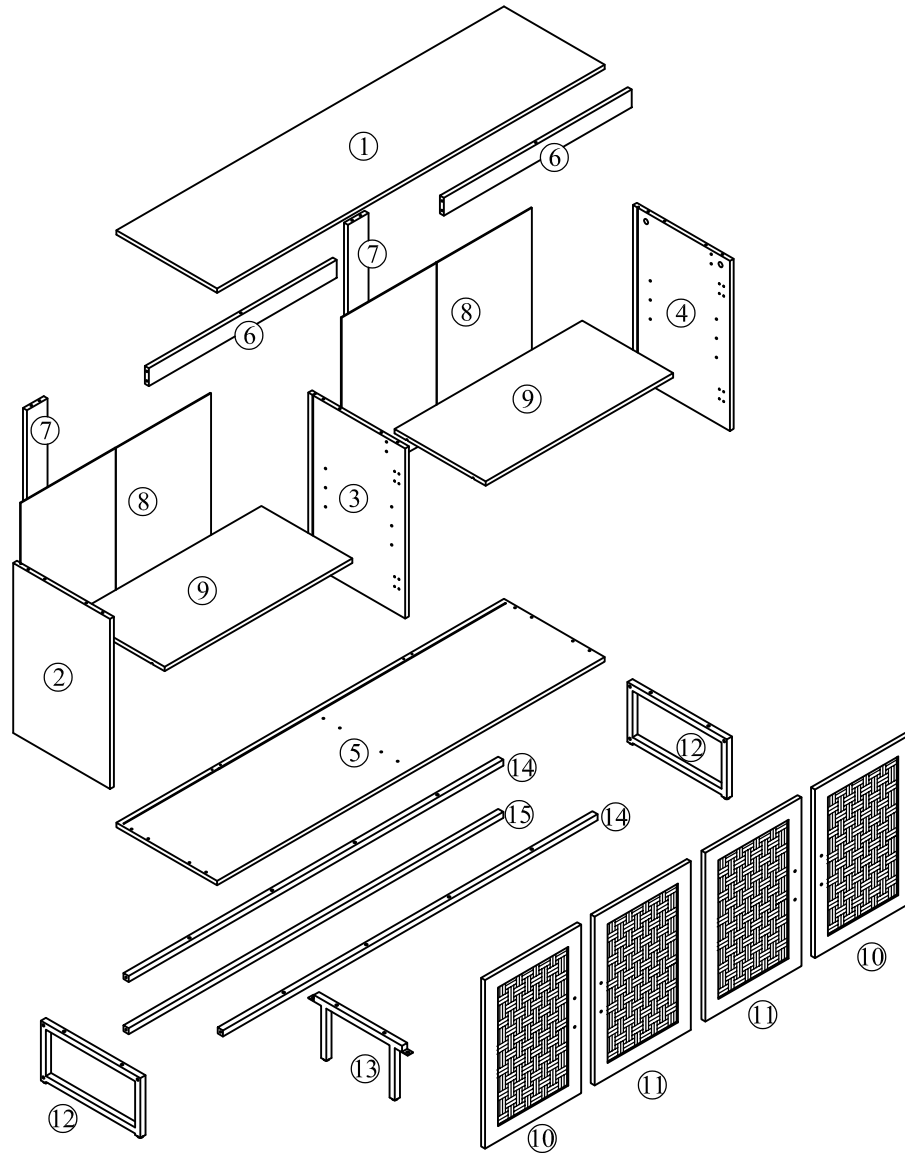
1. Do not tighten bolts / screws completely until all bolts / screws are lined up and inserted into holes.
2. Do not over tighten screws and bolts to avoid stripping.
3. Please use hand tools to assemble this product. Do not use power tools.



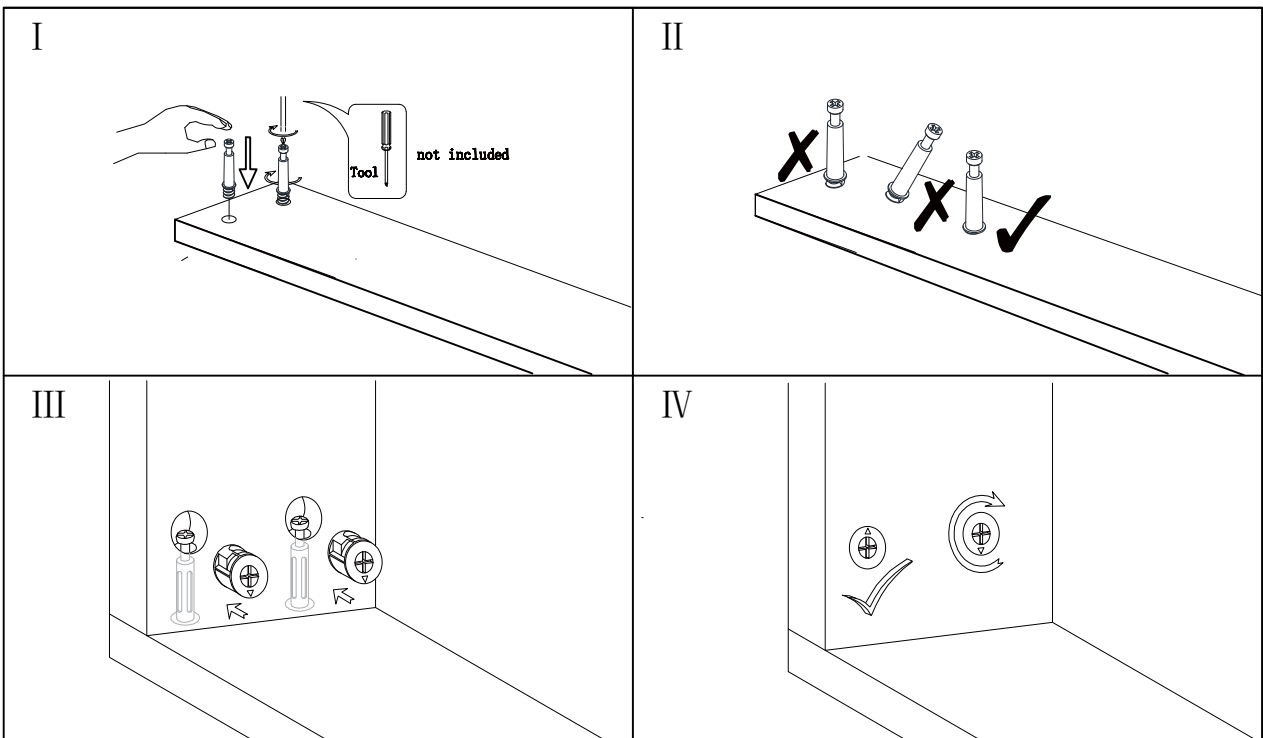
Included Accessories

Code	Description	Qty
1	Cabinet Top	1
2	Left Side Panel	1
3	Middle Division Panel	1
4	Right Side Panel	1
5	Bottom Panel	1
6	Horizontal Front Stretcher	2
7	Vertical Back Stretcher	2
8	Back Panel	2
9	Shelf	2
10	Left Door	2
11	Right Door	2
12	Side Frame	2
13	Central Metal Feet	1
14	Top Metal Stretcher	2
15	Bottom Metal Stretcher	1

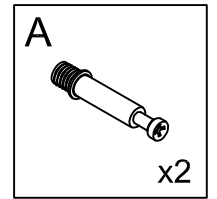
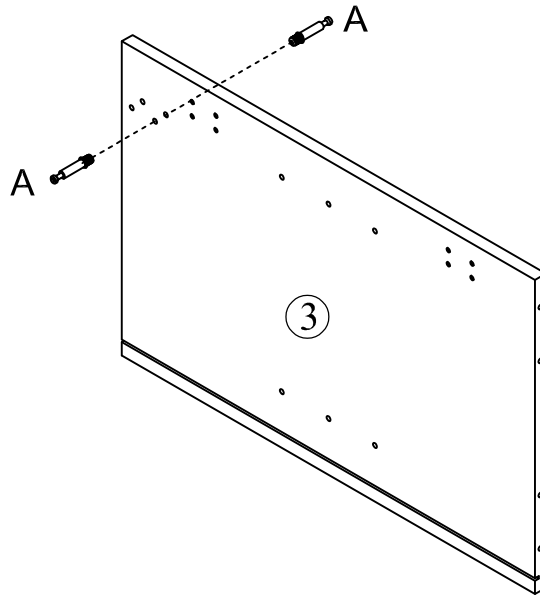
The Accessoriess



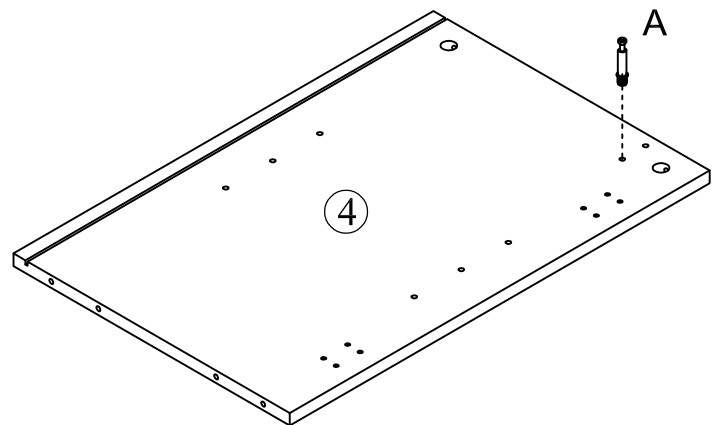
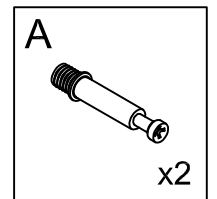
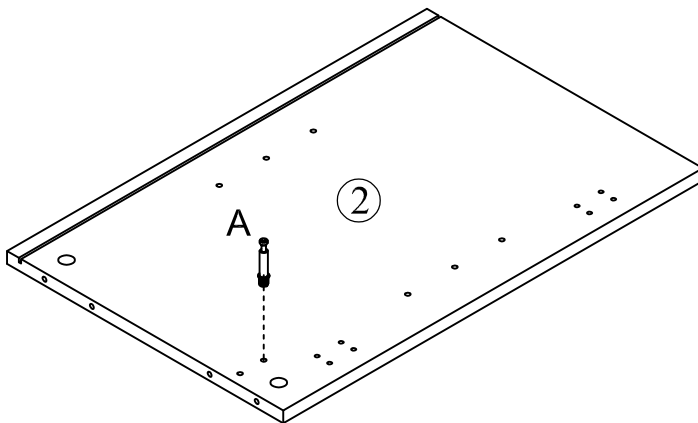
Noted :



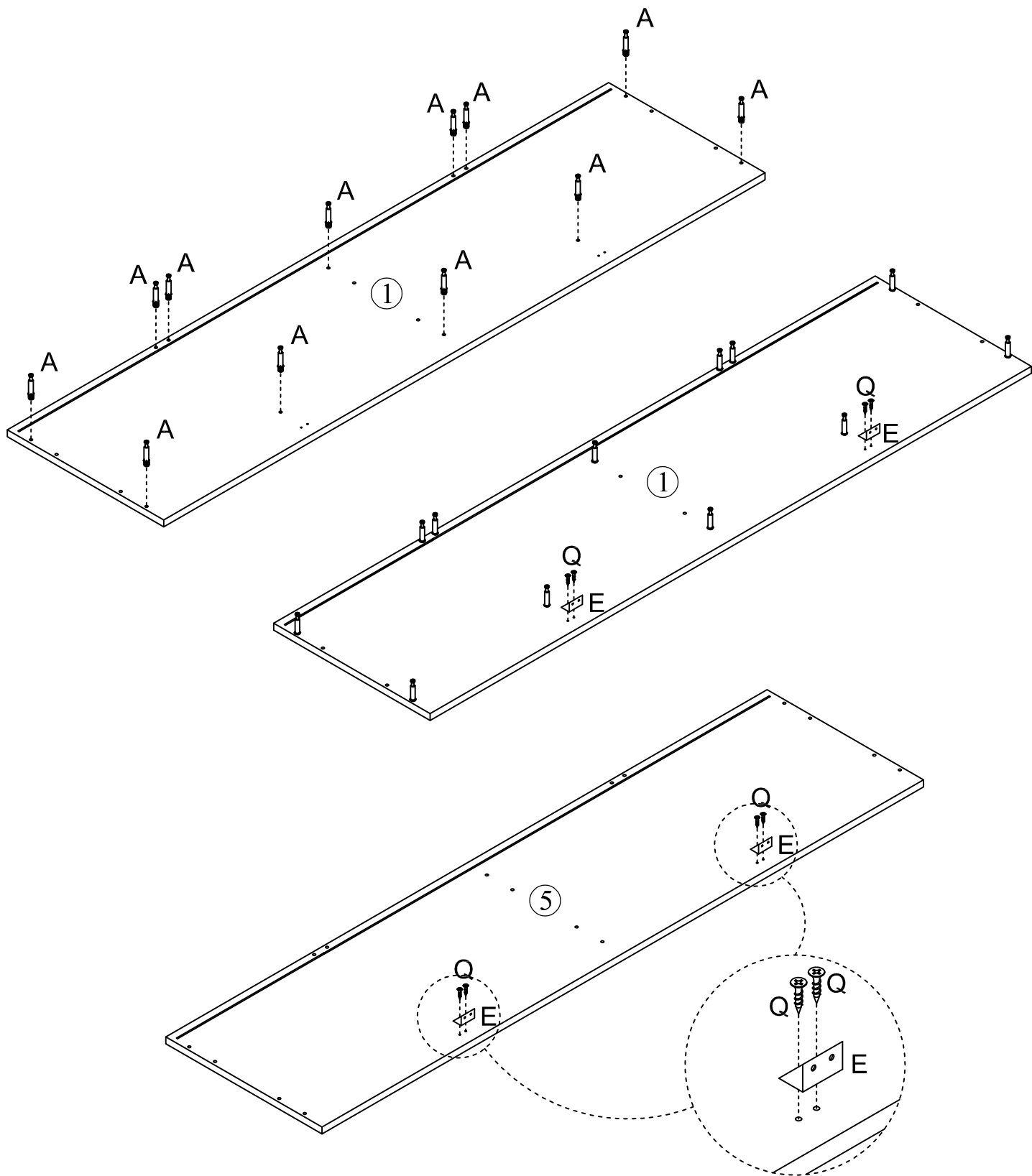
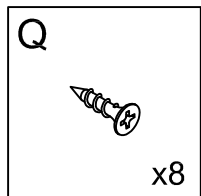
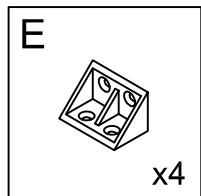
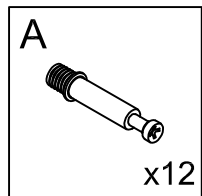
STEP 1



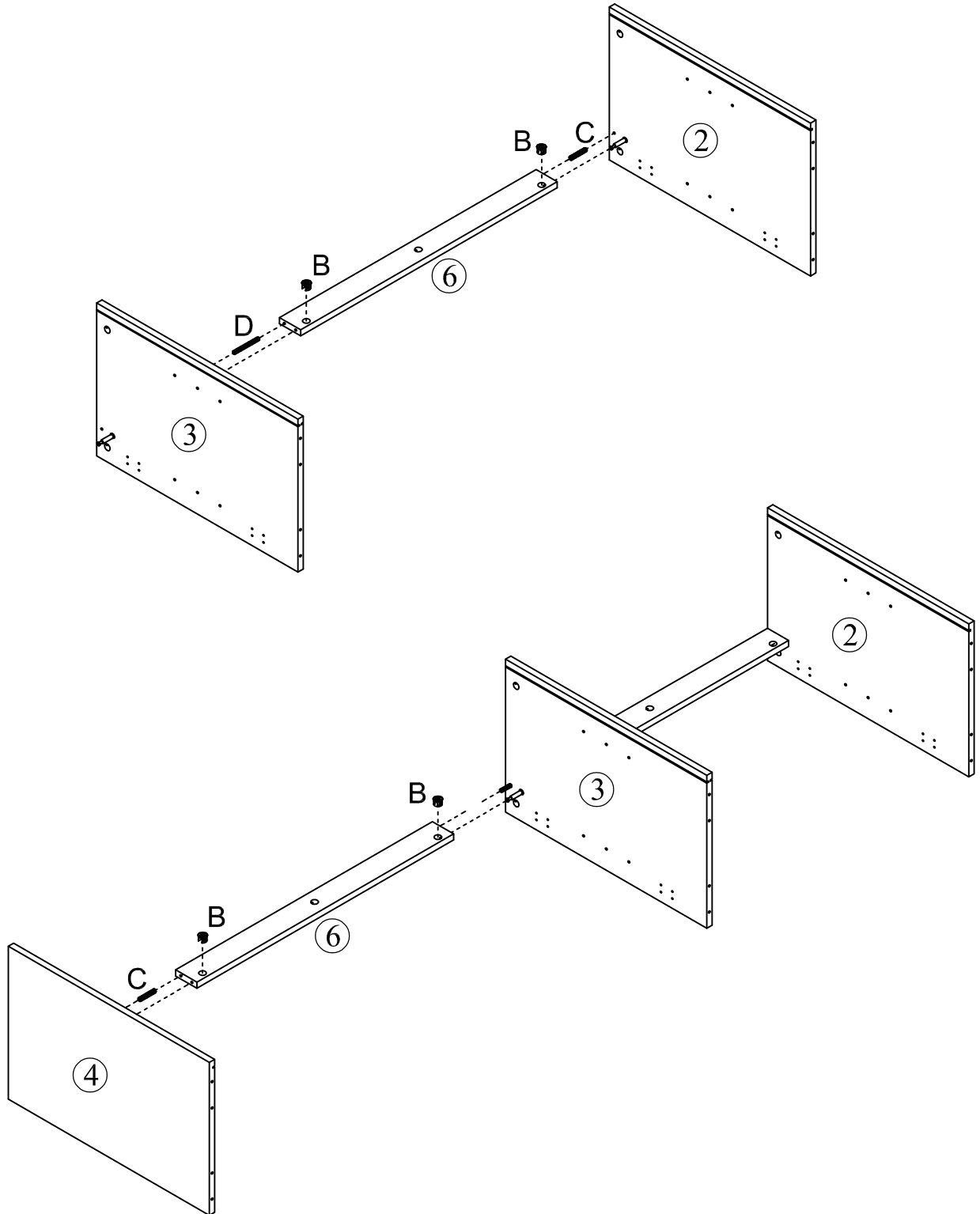
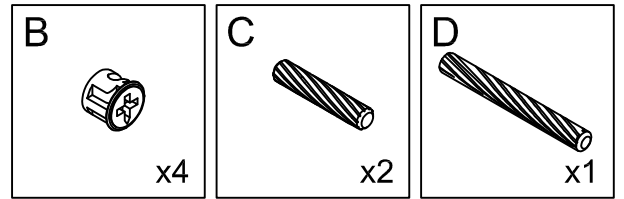
STEP 2



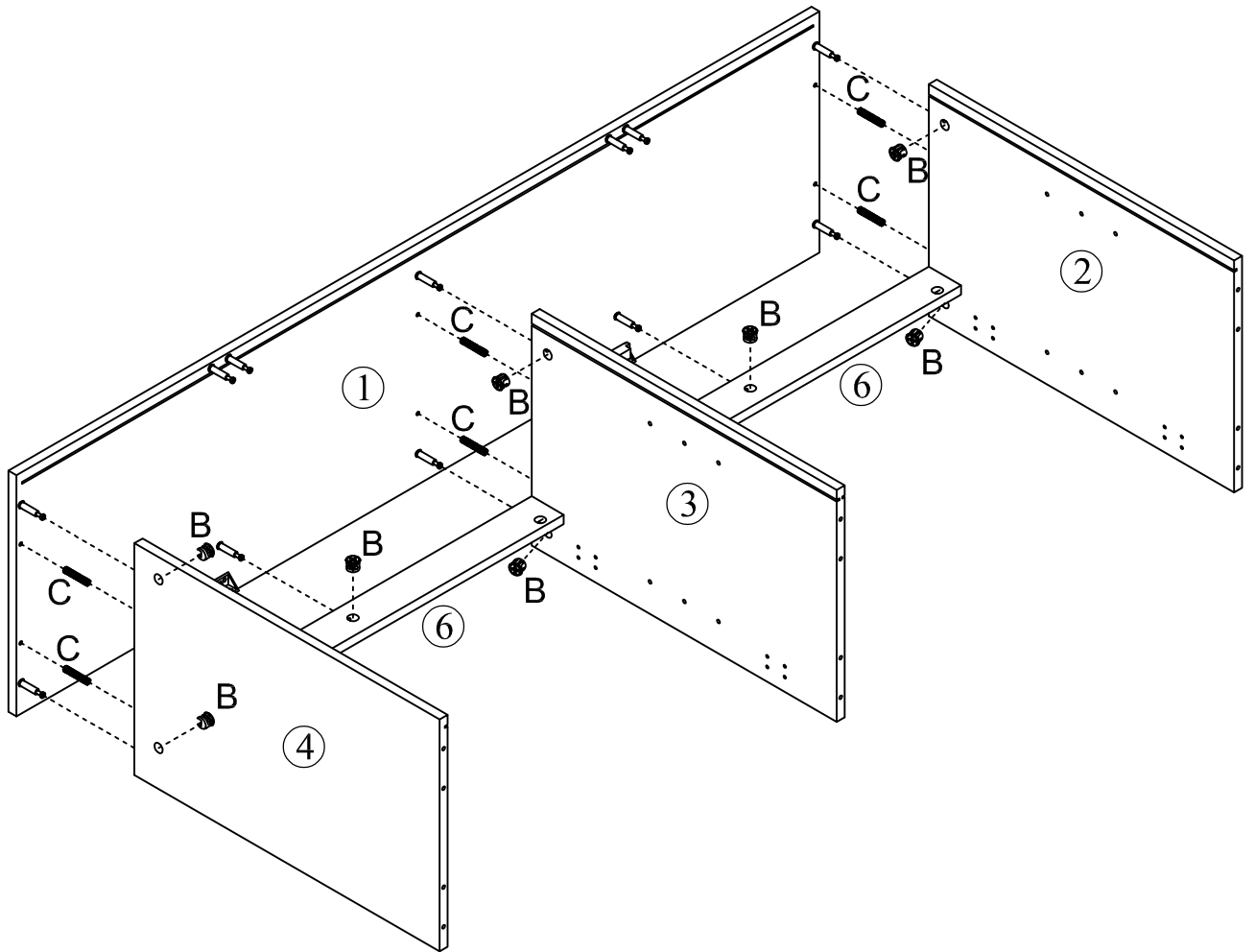
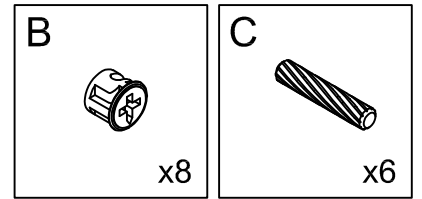
STEP 3



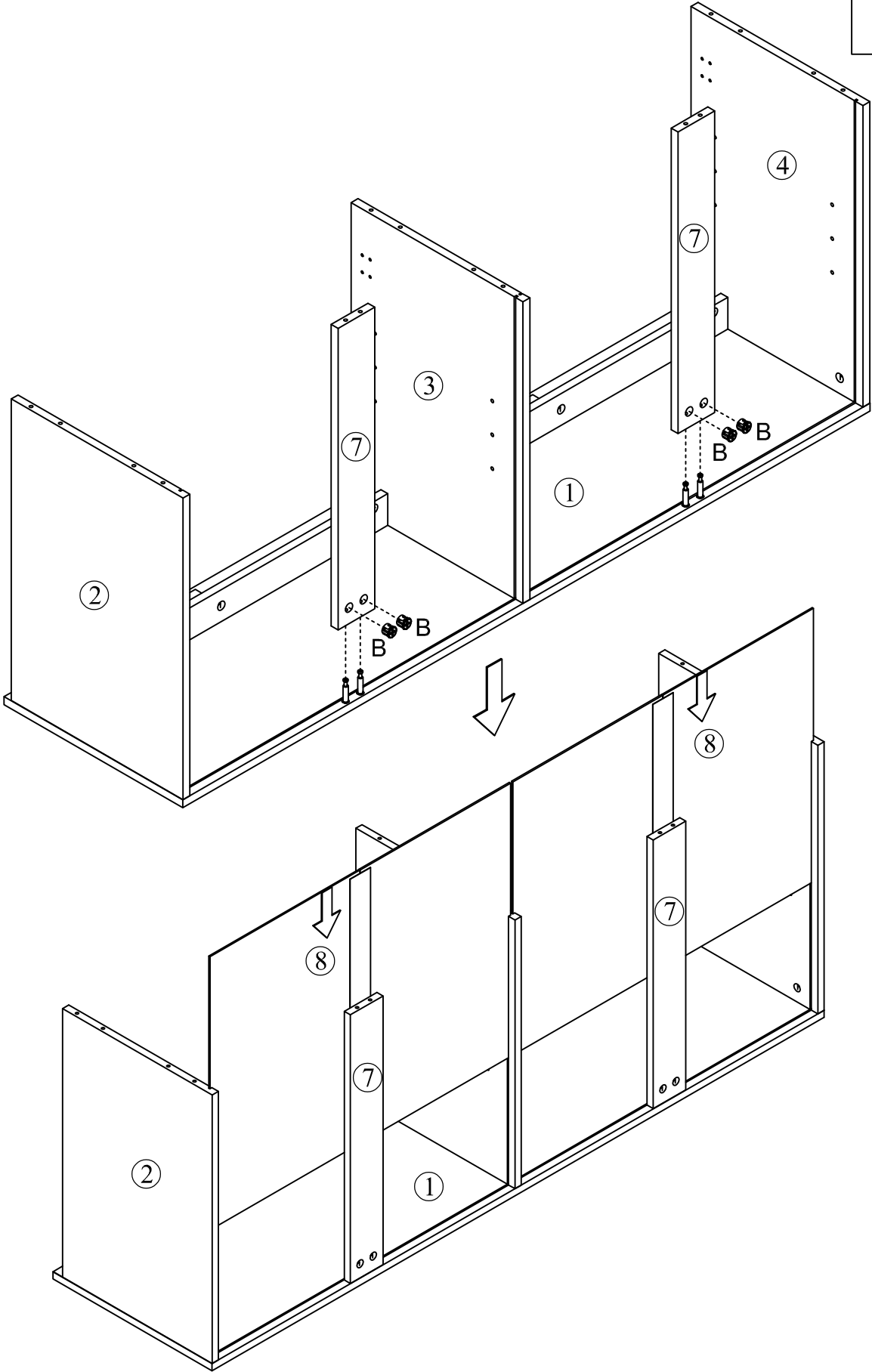
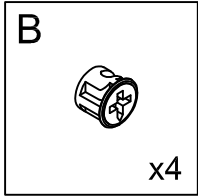
STEP 4



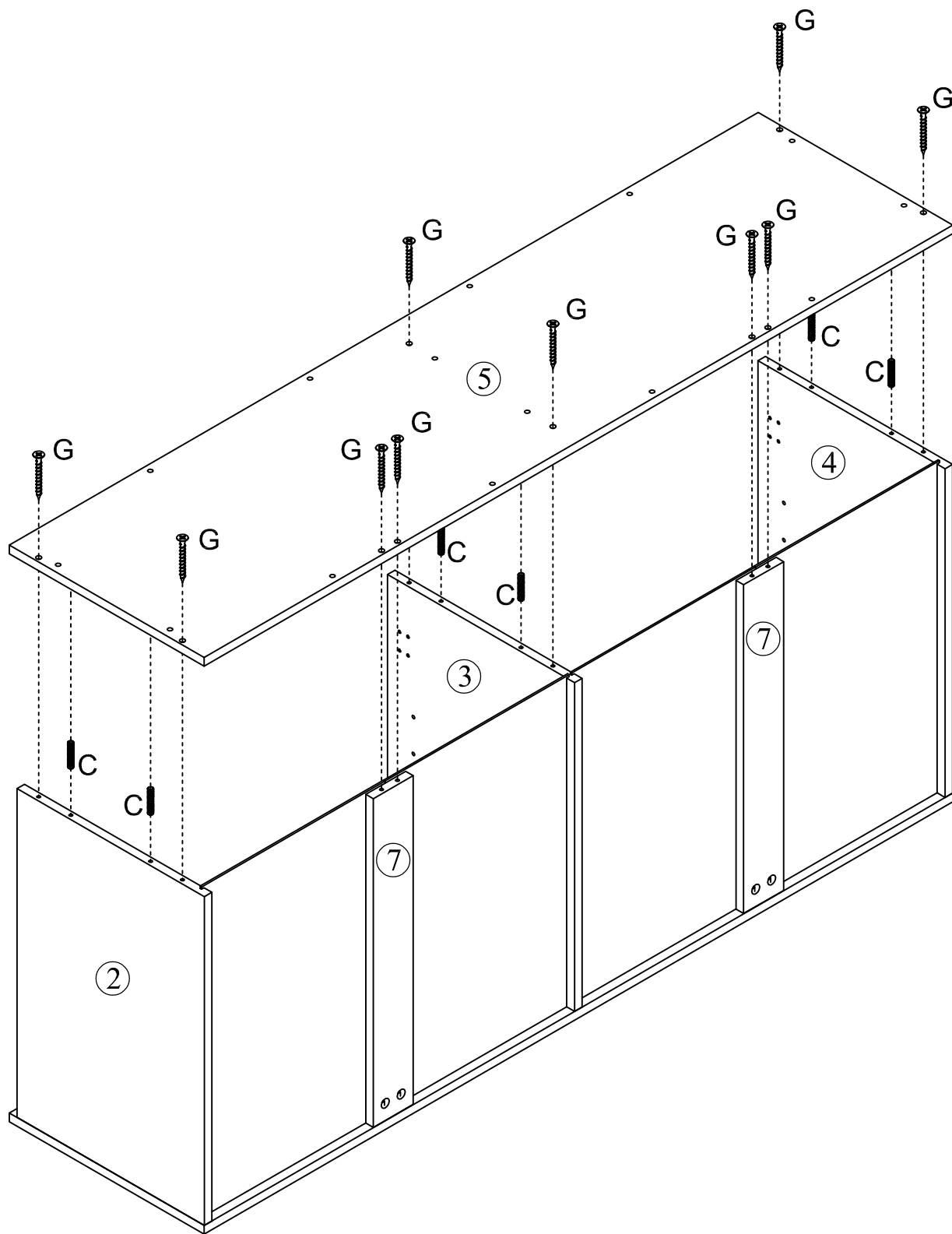
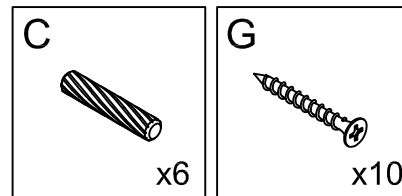
STEP 5



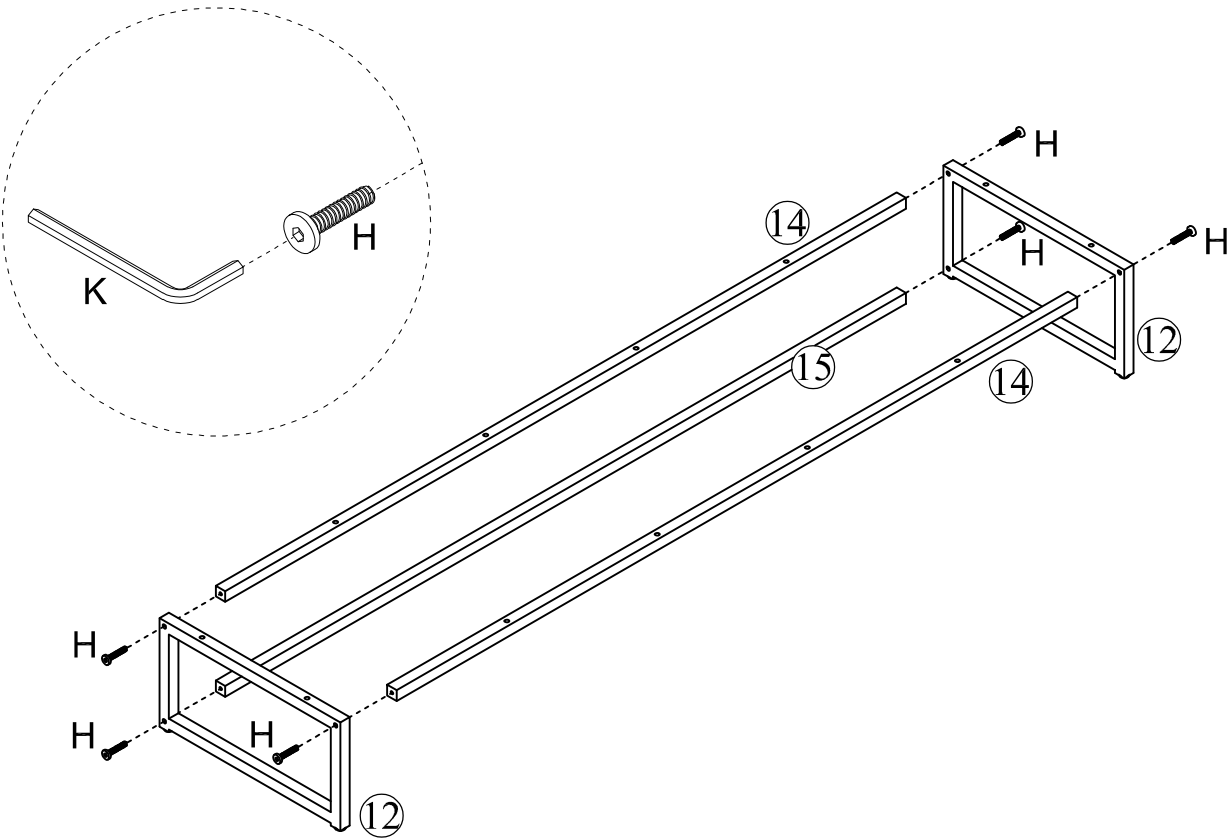
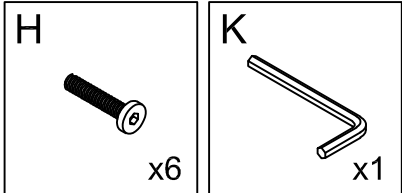
STEP 6



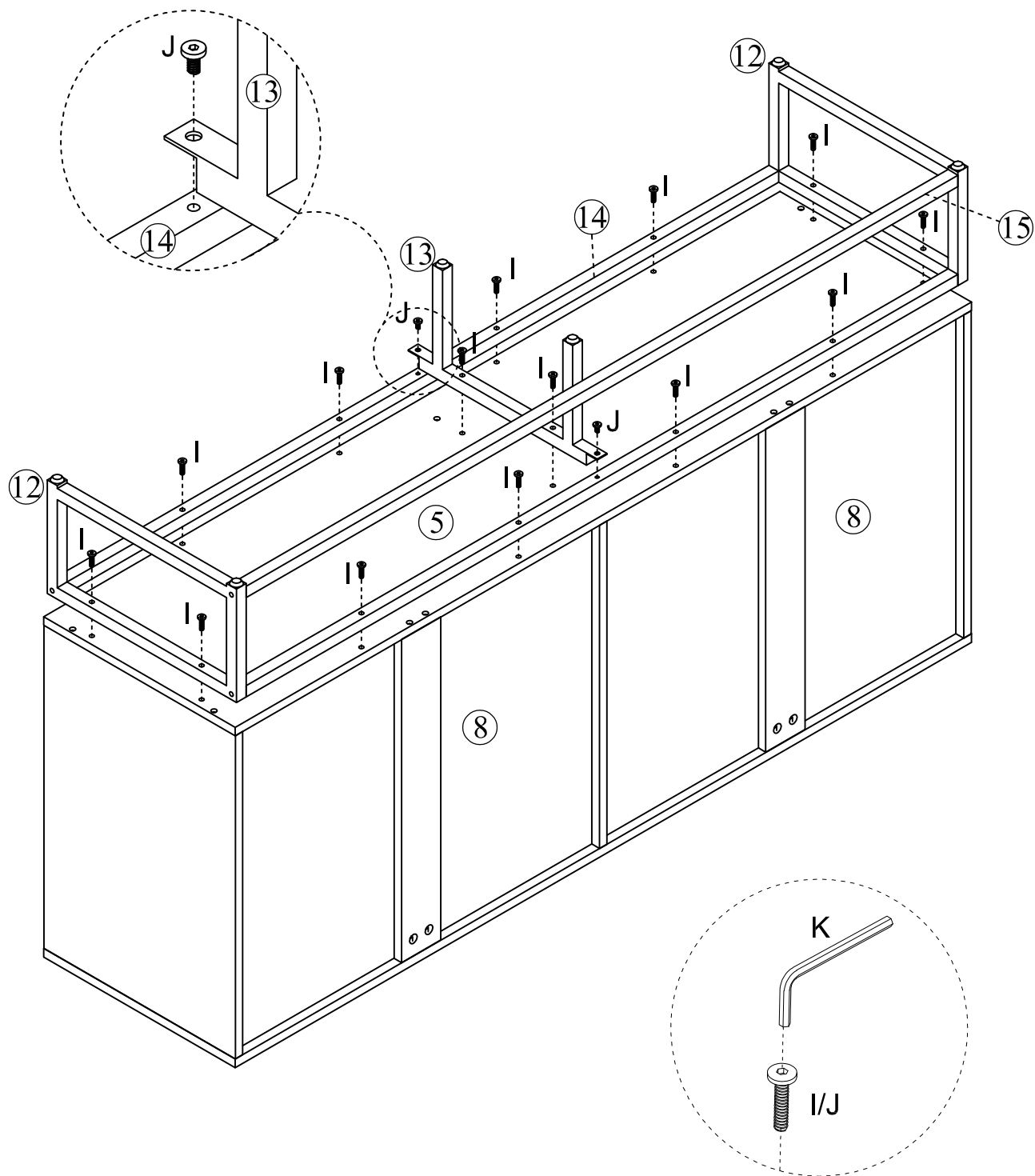
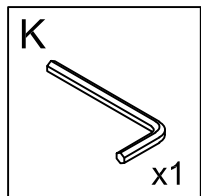
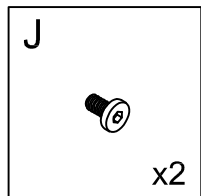
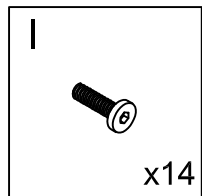
STEP 7



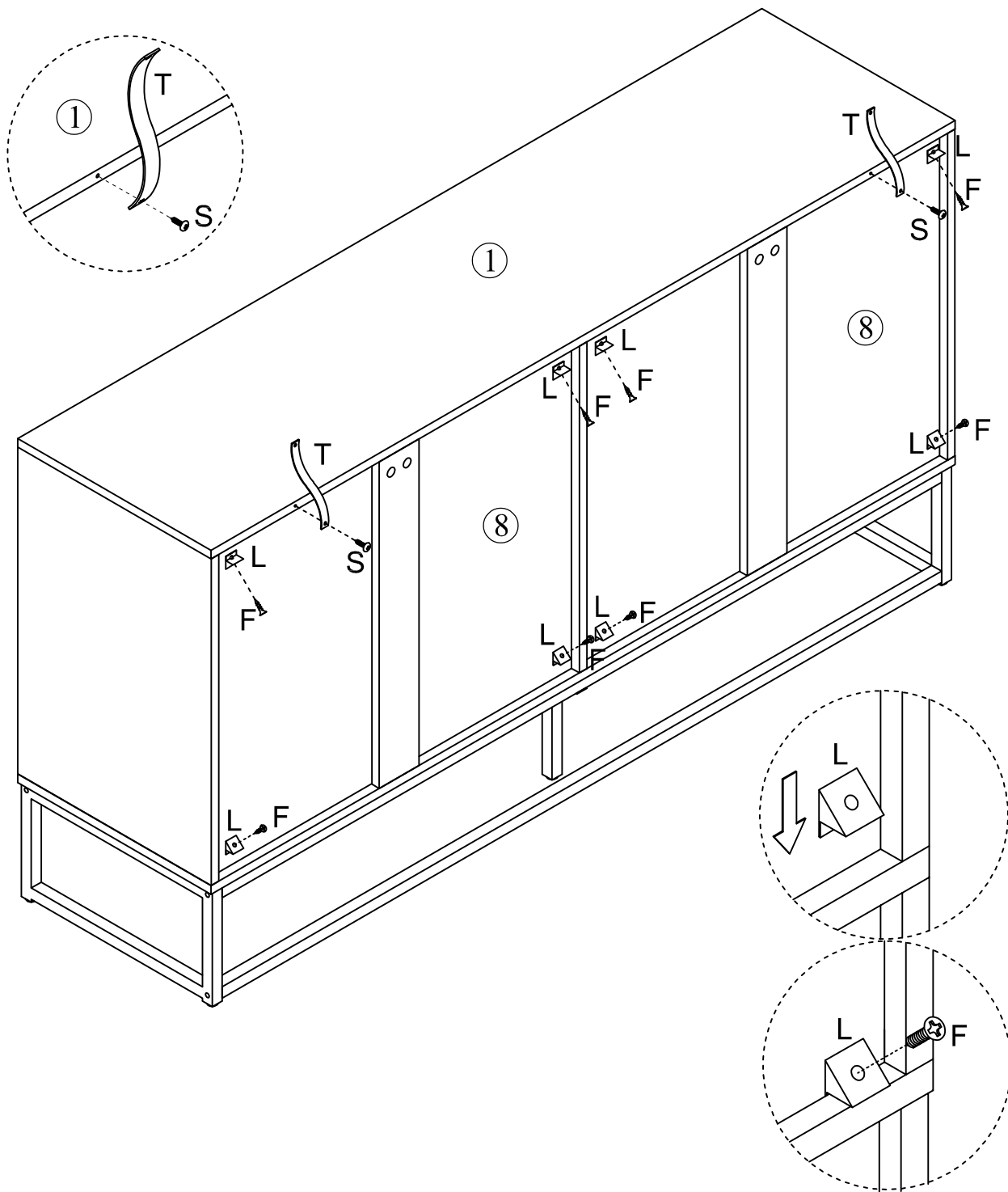
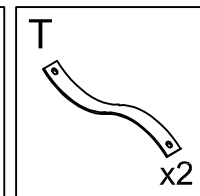
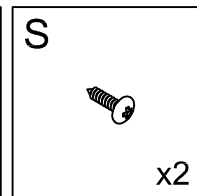
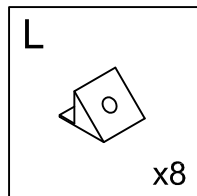
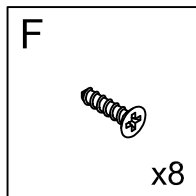
STEP 8



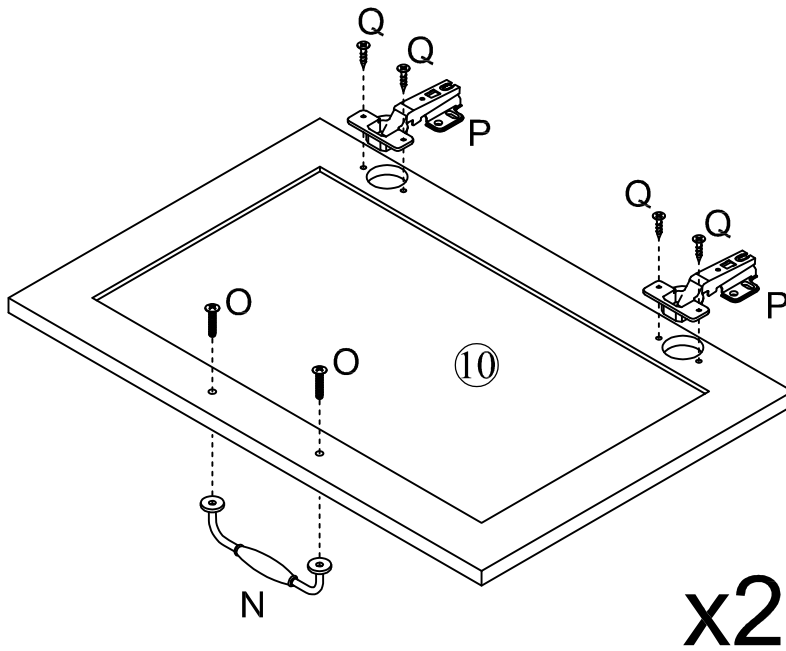
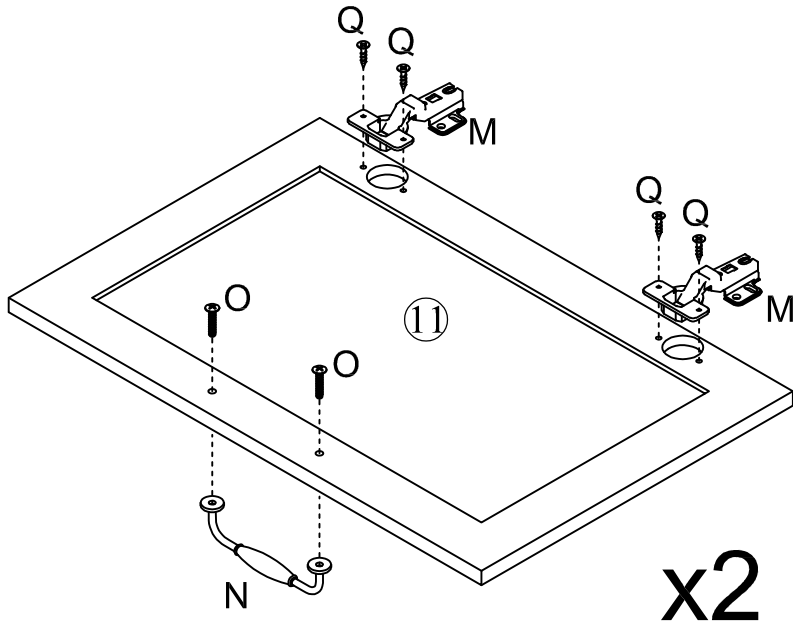
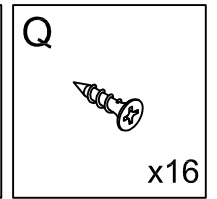
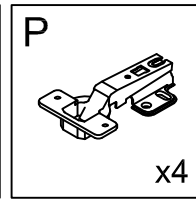
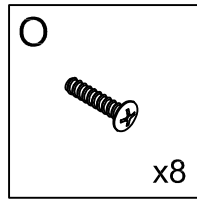
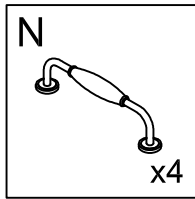
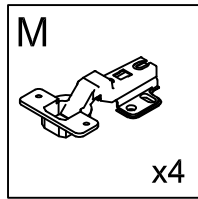
STEP 9



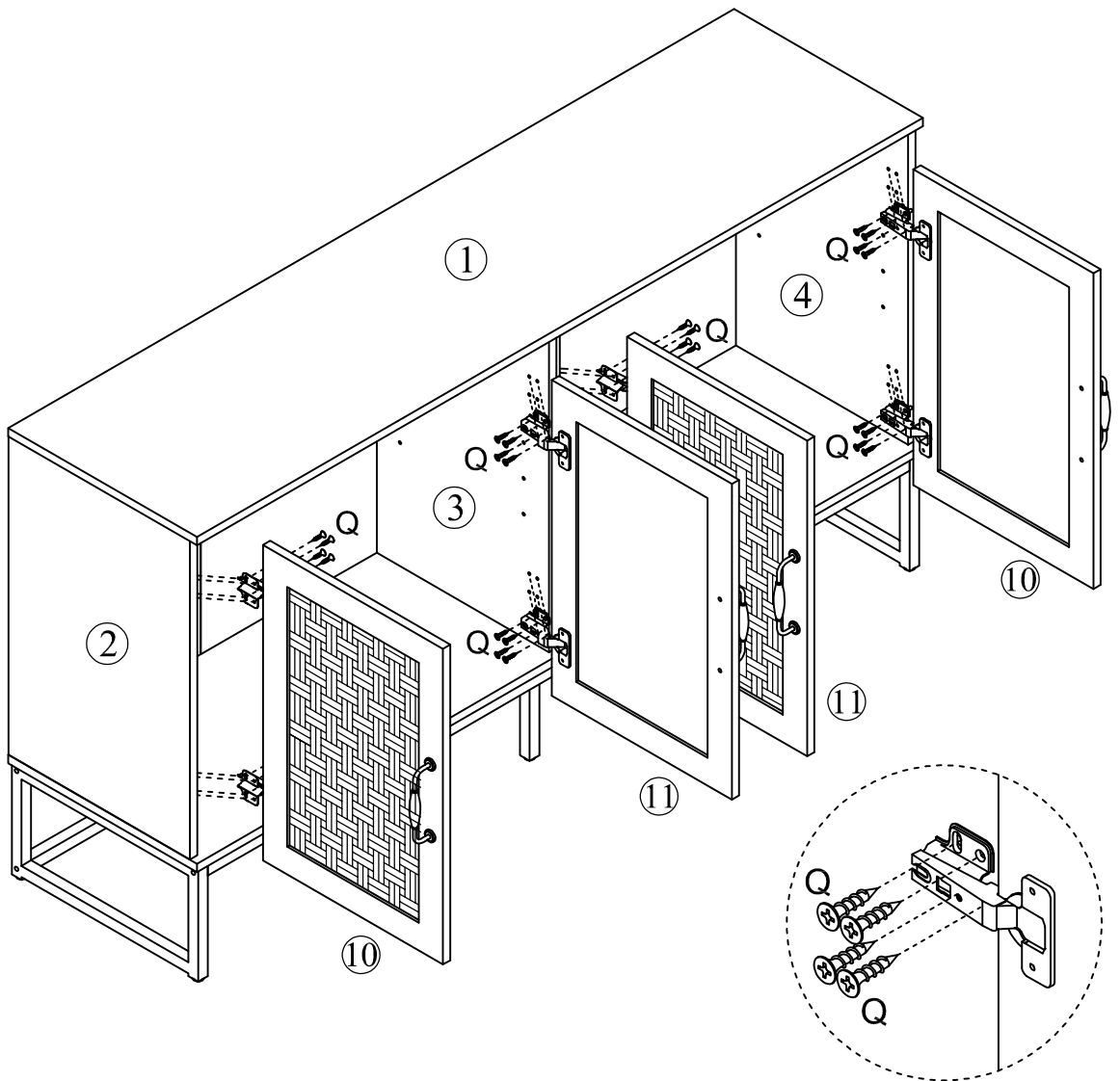
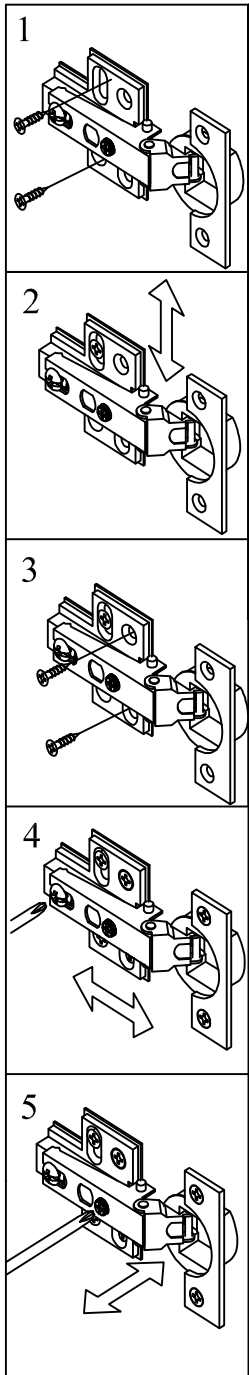
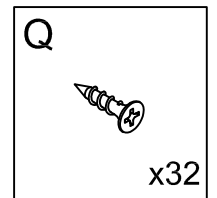
STEP 10



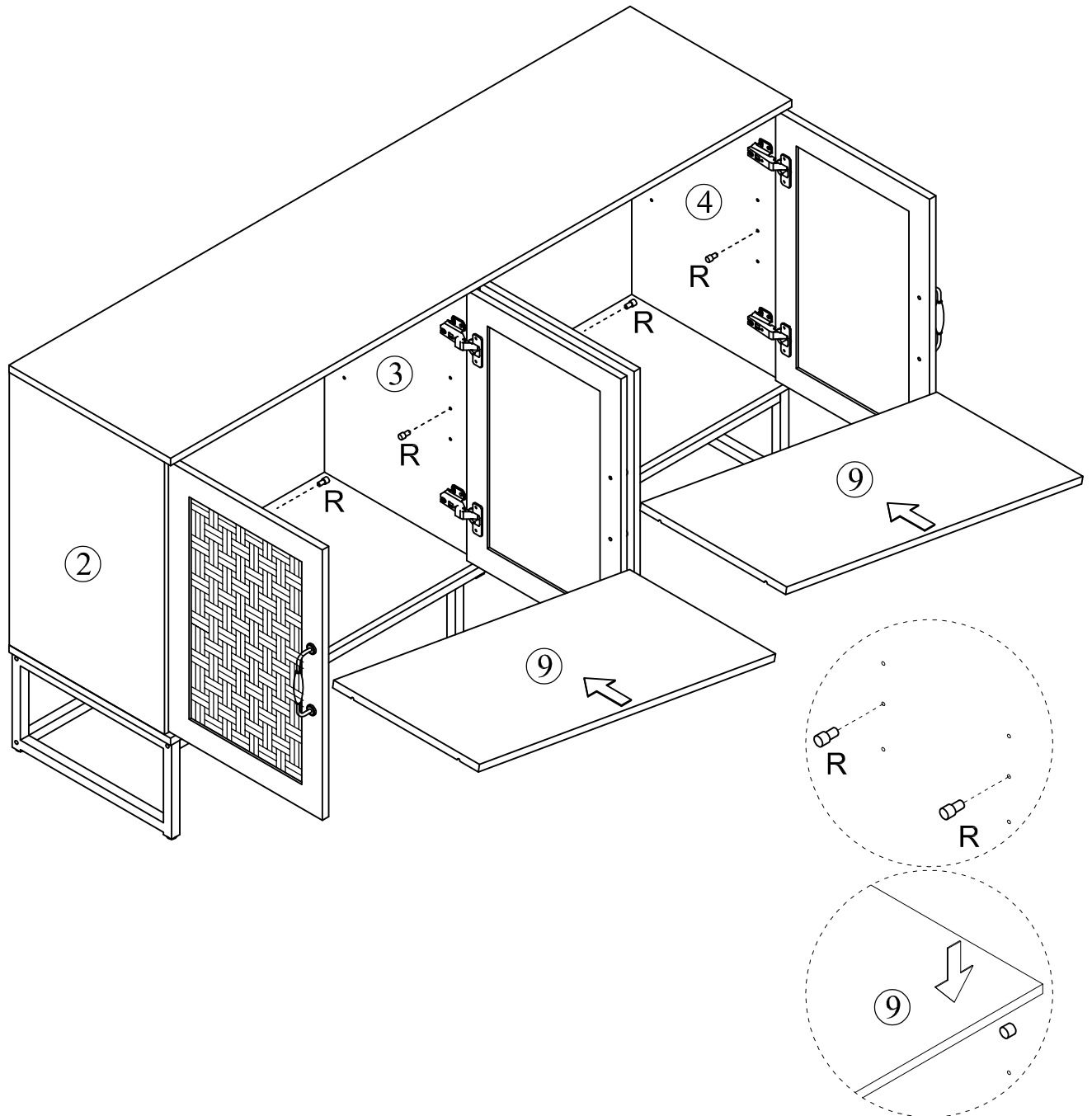
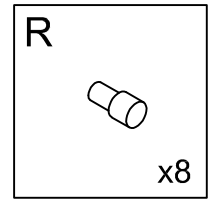
STEP 11



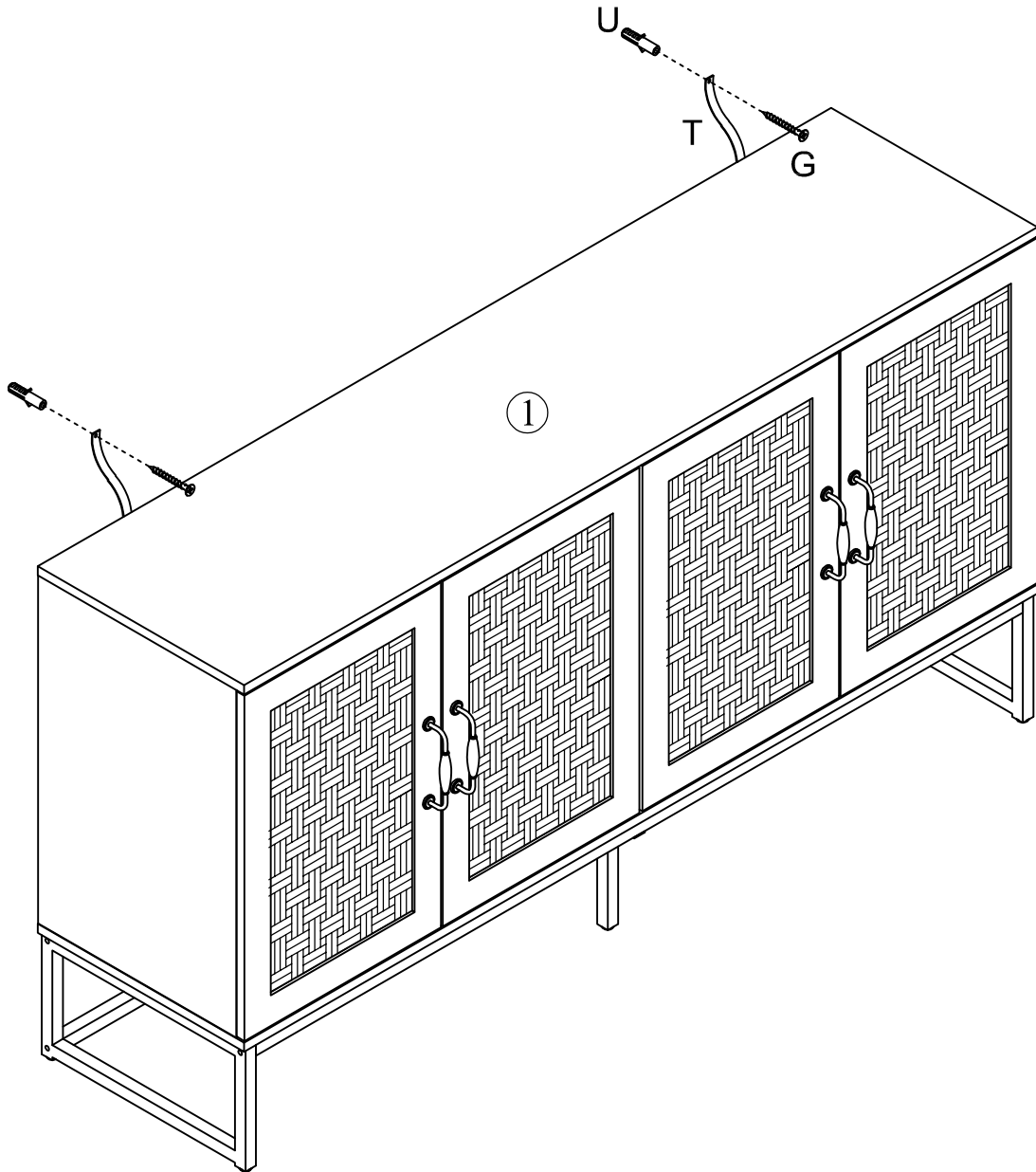
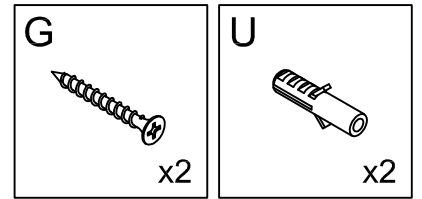
STEP 12



STEP 13



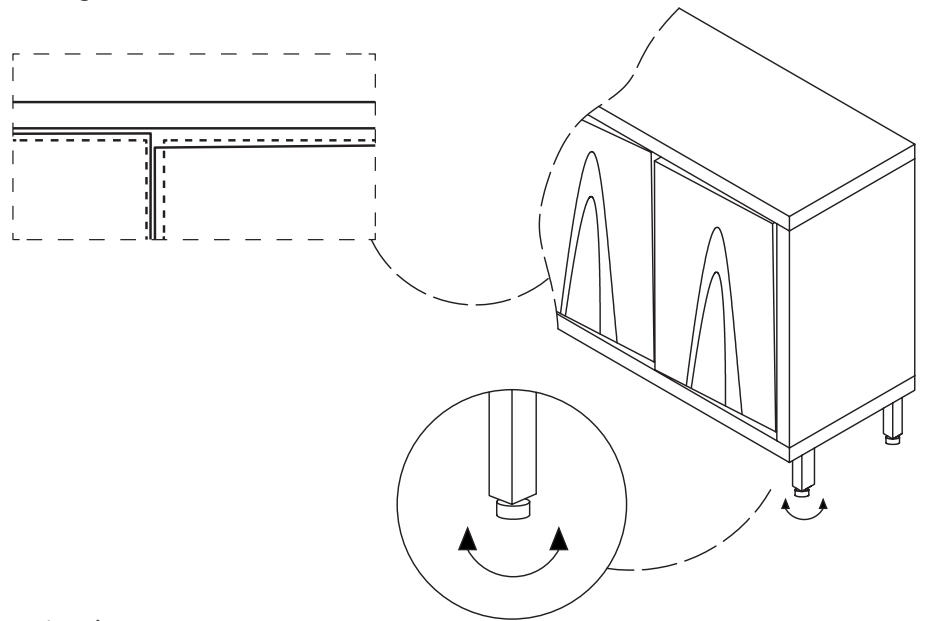
STEP 14



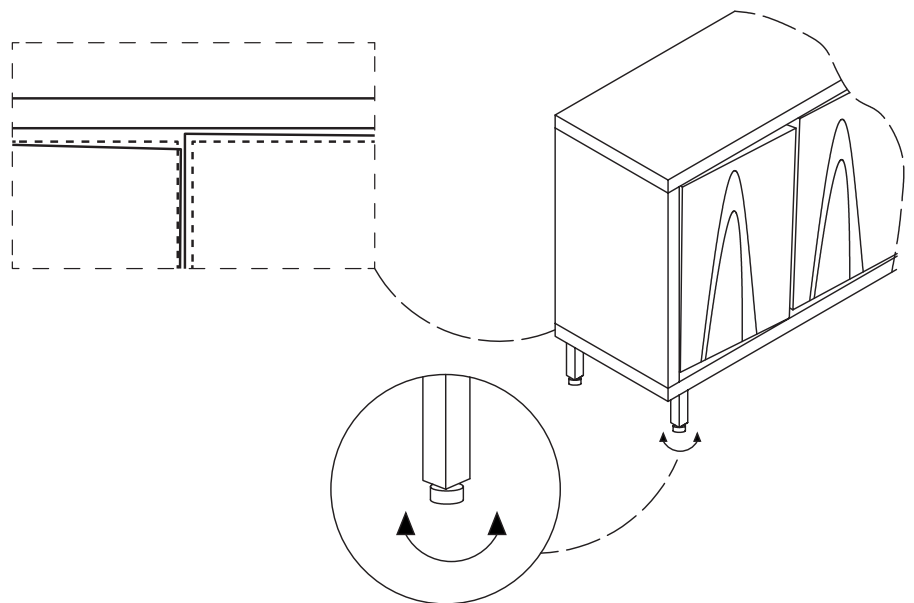
Is your cabinet door looking crooked or unevenly spaced? (Cont.)

If you're still having trouble lining everything up, your next step should be to try to adjust the feet slightly to square up the cabinet & doors. Follow the illustrations below:

If the right door appears to be hanging low, you can adjust the adjustable leveler on the front right until the door is better aligned.



If the left door appears to be hanging low, you can adjust the adjustable leveler on the front left until the door is better aligned.



Proper Use

- DO NOT** use for commercial purposes
- DO NOT** use as a step stool or stand on table
- DO NOT** put hot serving liquid directly on the table top
- DO NOT** leave spilled liquid on the table top
- DO NOT** use table if damaged
- DO NOT** exceed weight limit
- DO NOT** make temporary repairs
- DO NOT** use outdoor

Dear Customer:

Thank you for purchasing our product,we wish you satisfy our service,if you have any further questions or any quality issues,please show the belows number and don't hesitate to contact our Customer Service People:

W2232202403