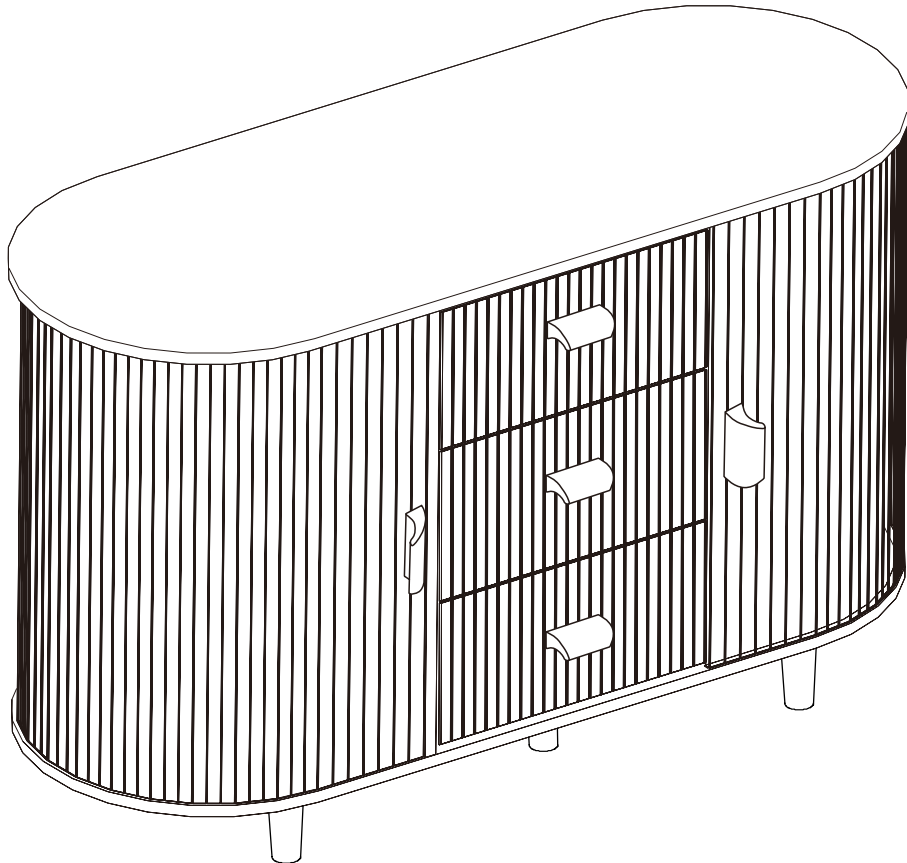


Installation Instruction



Product name

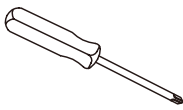
2 Door 3 Drawer Cabinet

Ver.1.0 20240315

Assembling

What you need

- Use the packaging carton as a working surface to prevent product damage during assembly
- Phillips head screwdriver



Weight Limitation



30 | **11** |
lbs Cabinet Top lbs per drawer



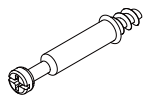
2 PERSONS

What 's included

Code	Description	Qty
A	Cam Bolt M6X35MM	30
B	Cam Lock 15X10MM	30
C	Wooden Dowel M6X30MM	20
D	Screw M4X35MM	14
E	Bolt M4X25MM	6
F	Bolt M4X20MM	4
G	Handle	5
H	Screw M3X16MM	36
I	Slide Sets	3
J	Screw M4X12MM	2
K	Nylon Strap	2
L	Anchor M6X30MM	2
M	Screw M4X25MM	12

The hardwares

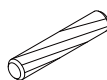
(A)



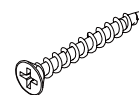
(B)



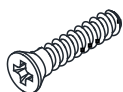
(C)



(D)



(E)



(F)



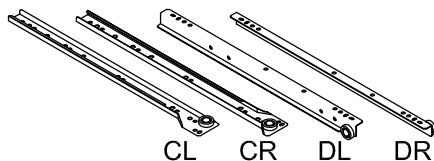
(G)



(H)



(I)



CL CR DL DR

(J)



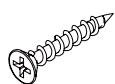
(K)



(L)



(M)



IMPORTANT :

1. Do not tighten bolts / screws completely until all bolts / screws are lined up and inserted into holes.
2. Do not over tighten screws and bolts to avoid stripping.
3. Please use hand tools to assemble this product. Do not use power tools.
4. Must need 2 people to assemble this product.

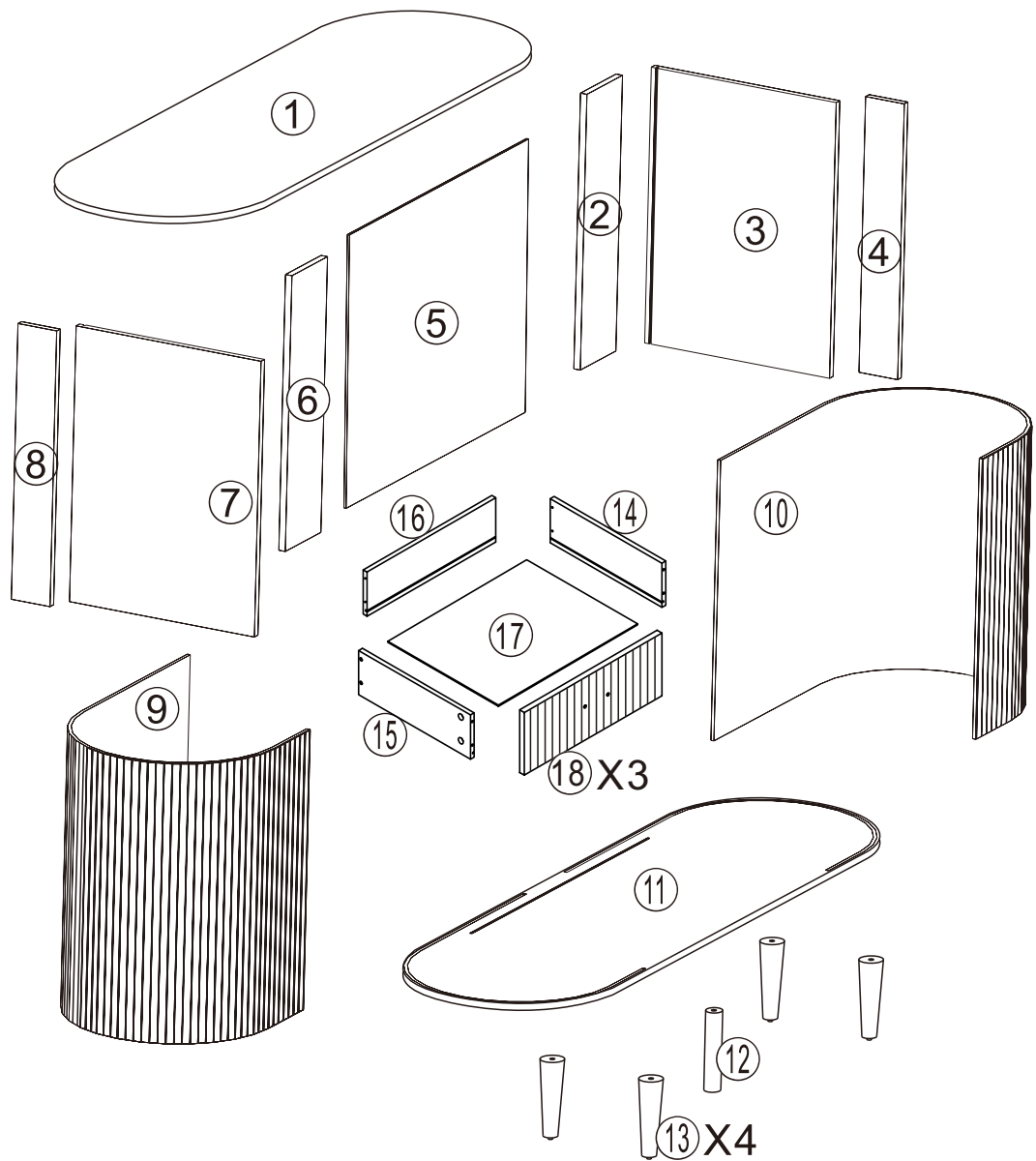


2 PERSONS

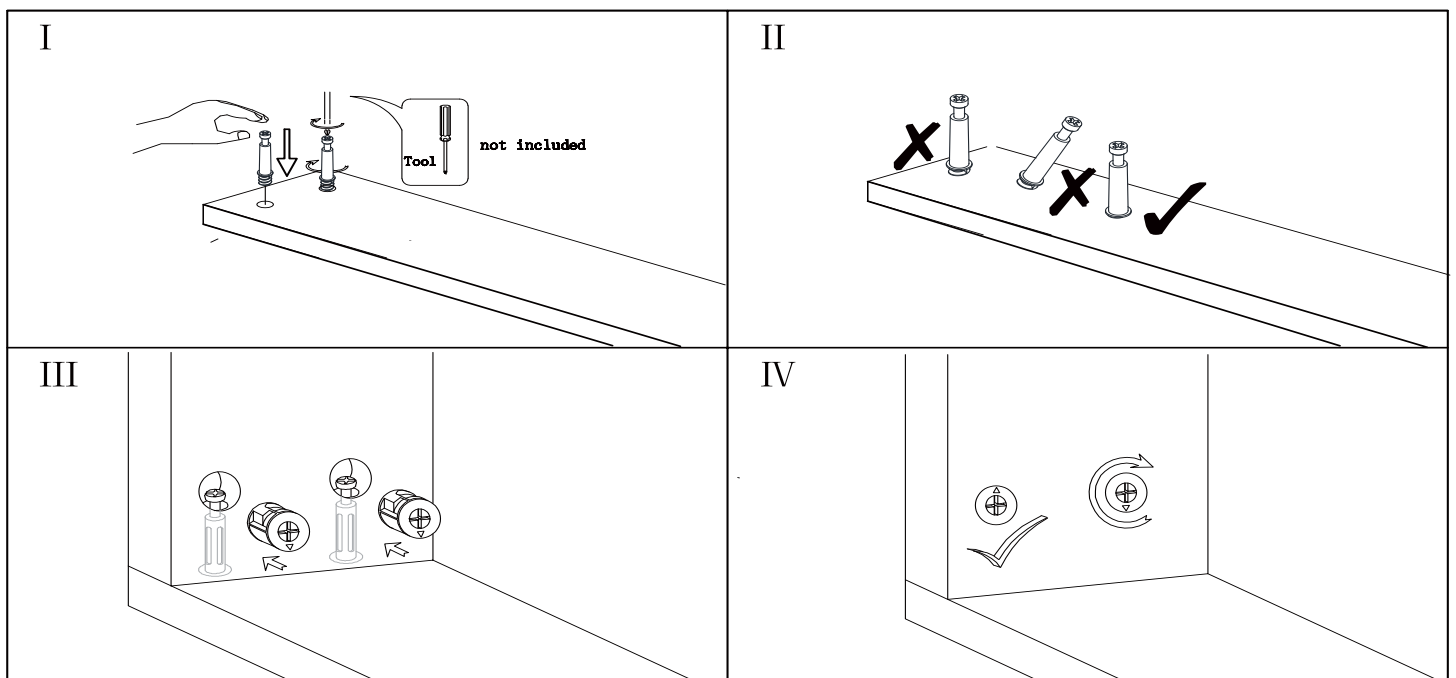
Included Accessories

Code	Description	Qty
1	Cabinet Top	1
2	Right Vertical Back Panel	1
3	Right Division Panel	1
4	Right Side Panel	1
5	Back Panel	1
6	Left Vertical Back Panel	2
7	Left Division Panel	3
8	Left Side Panel	1
9	Left Sliding Door	1
10	Right Sliding Door	1
11	Bottom panel	1
12	Middle Foot	1
13	Feet	4
14	Drawer Right Side Panel	3
15	Drawer Left Side Panel	3
16	Drawer Back Panel	3
17	Drawer Bottom Panel	3
18	Drawer Front Panel	3

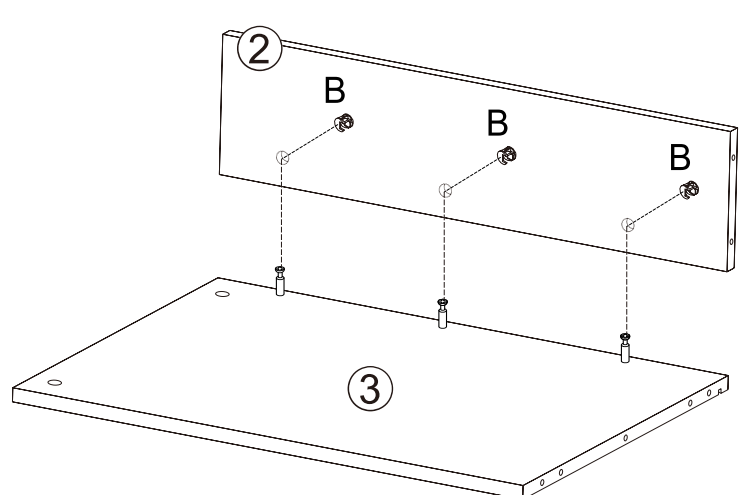
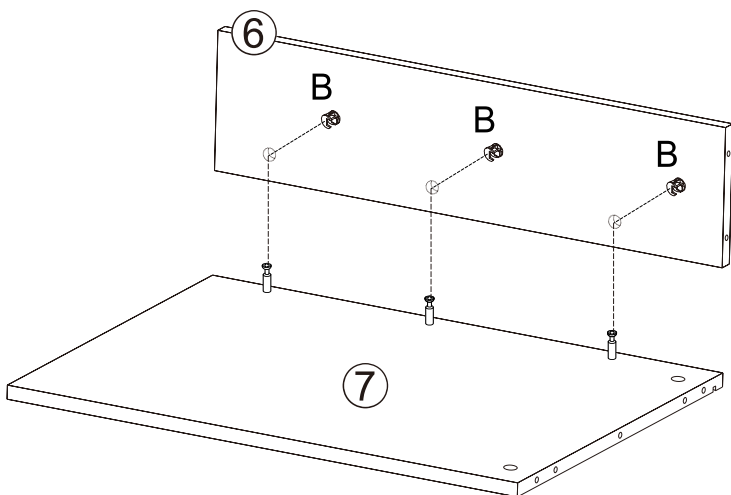
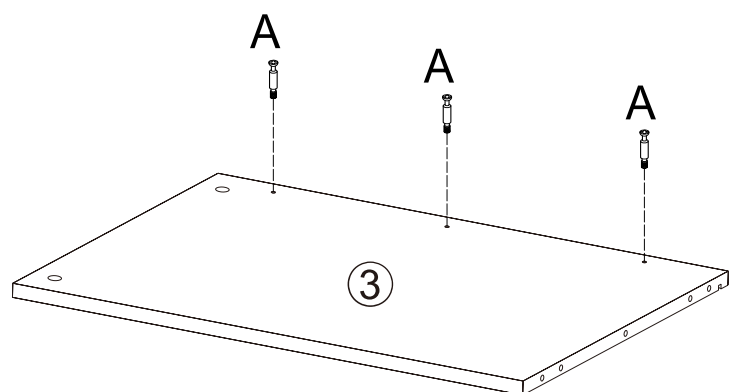
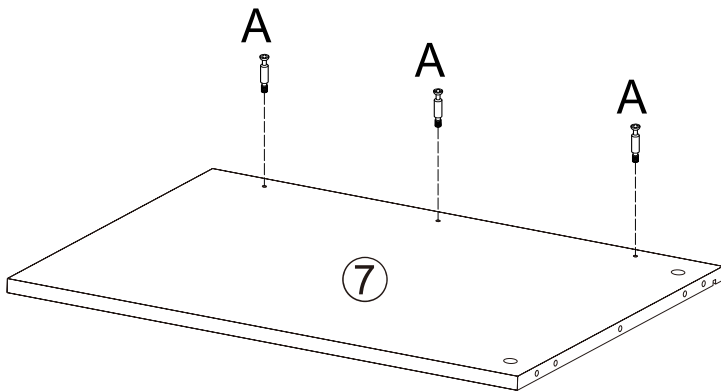
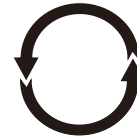
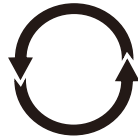
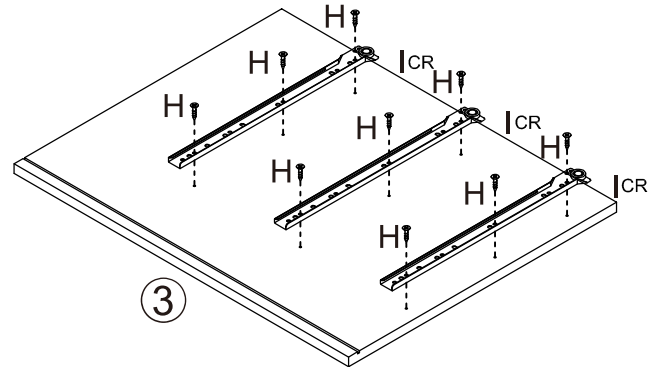
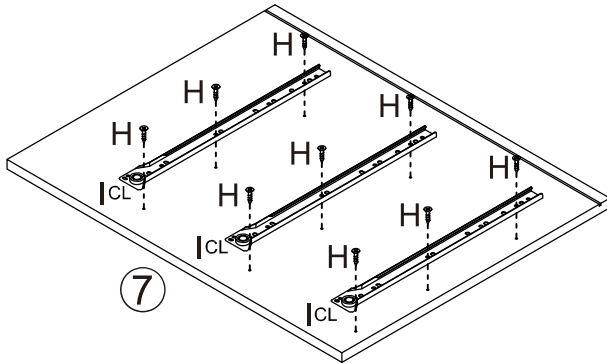
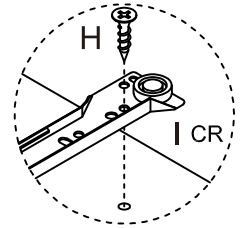
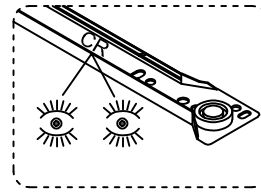
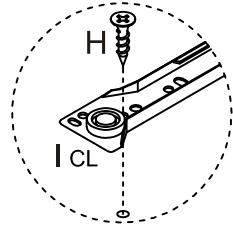
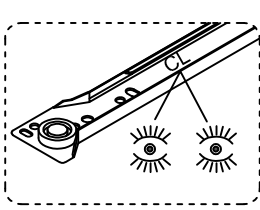
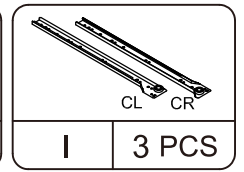
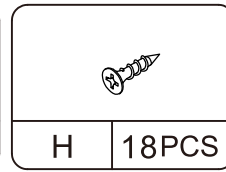
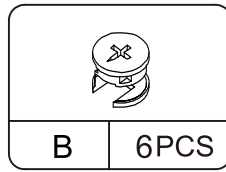
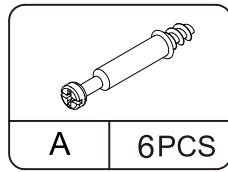
The Accessories



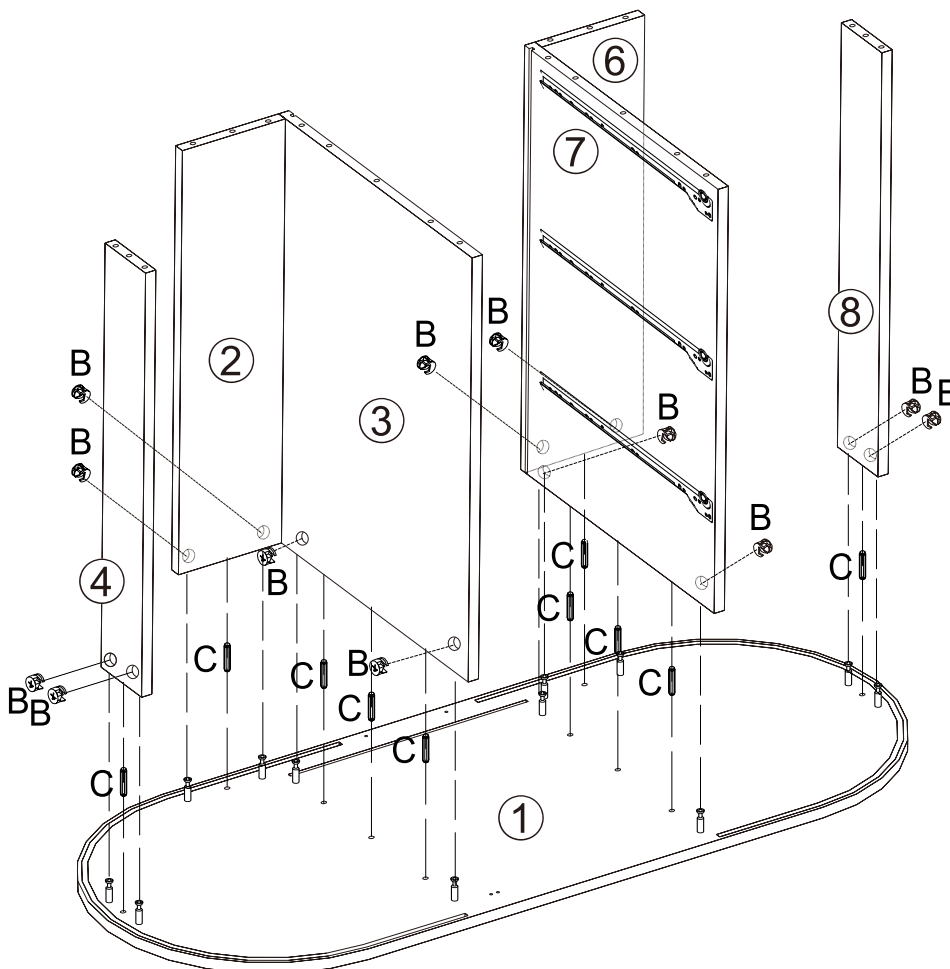
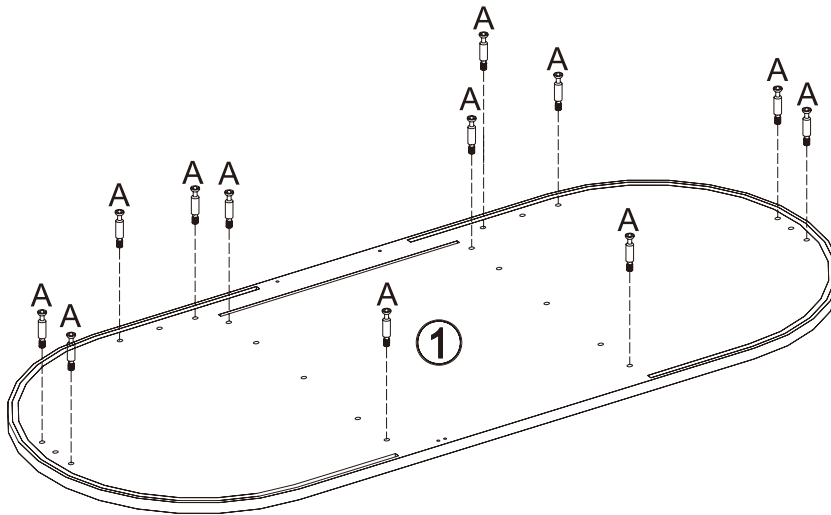
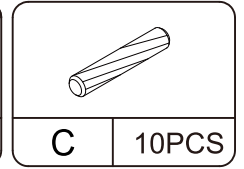
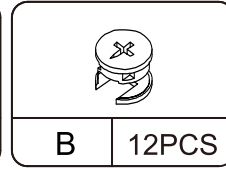
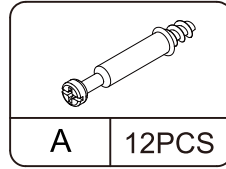
Noted :



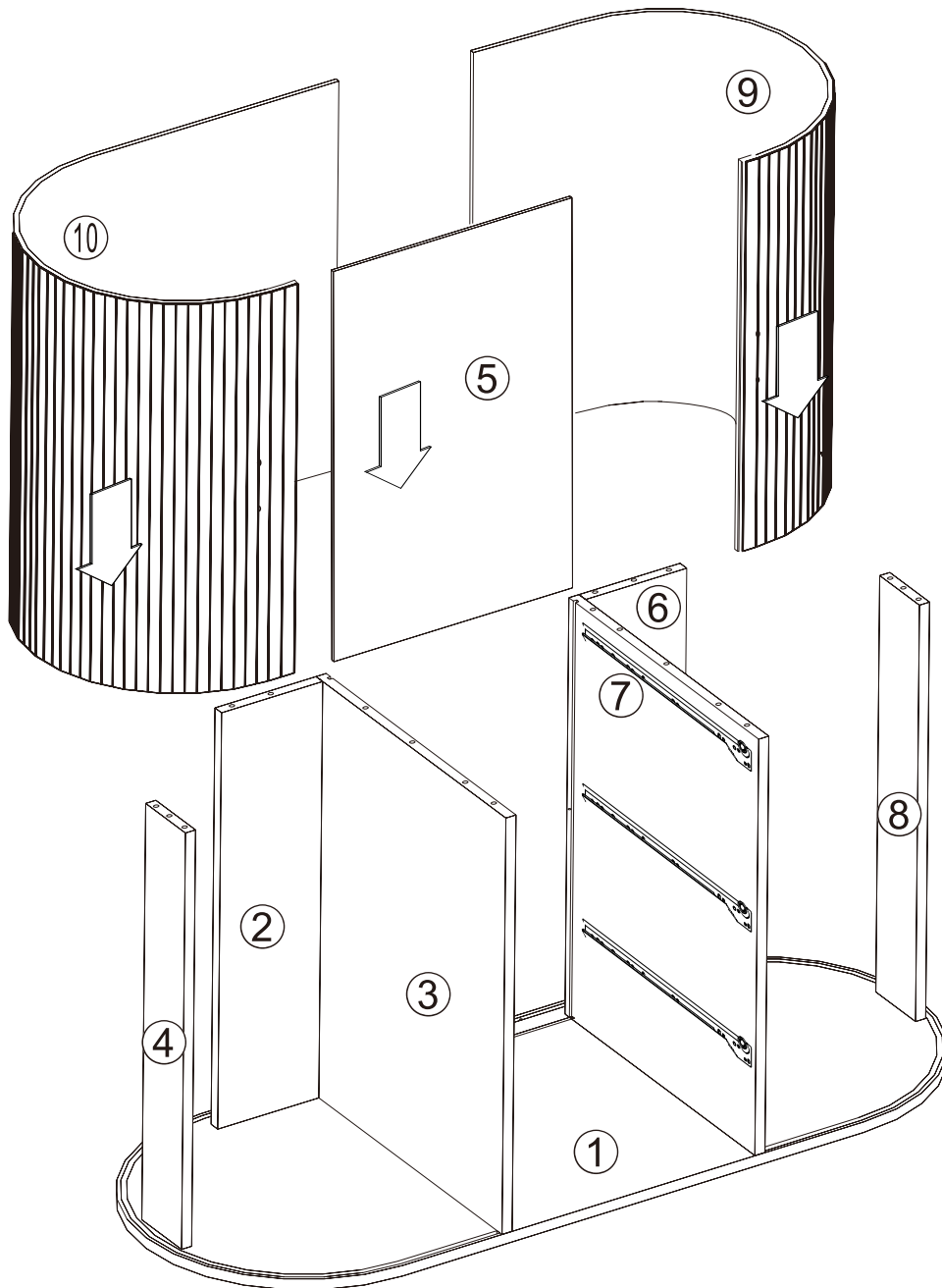
Step1



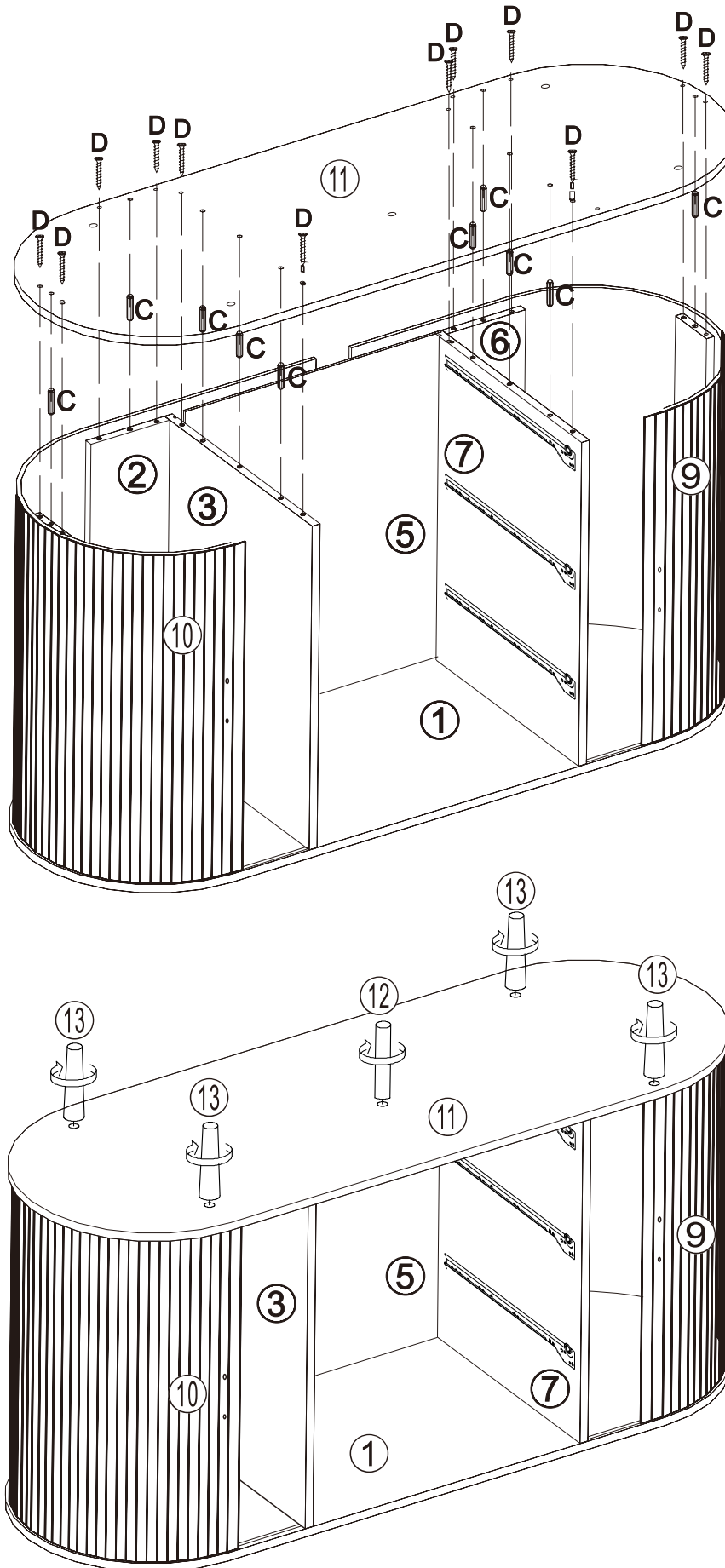
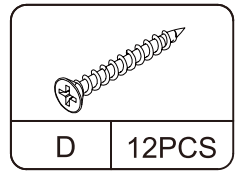
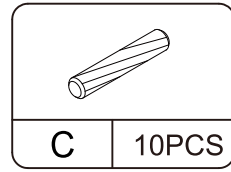
Step2





Step3

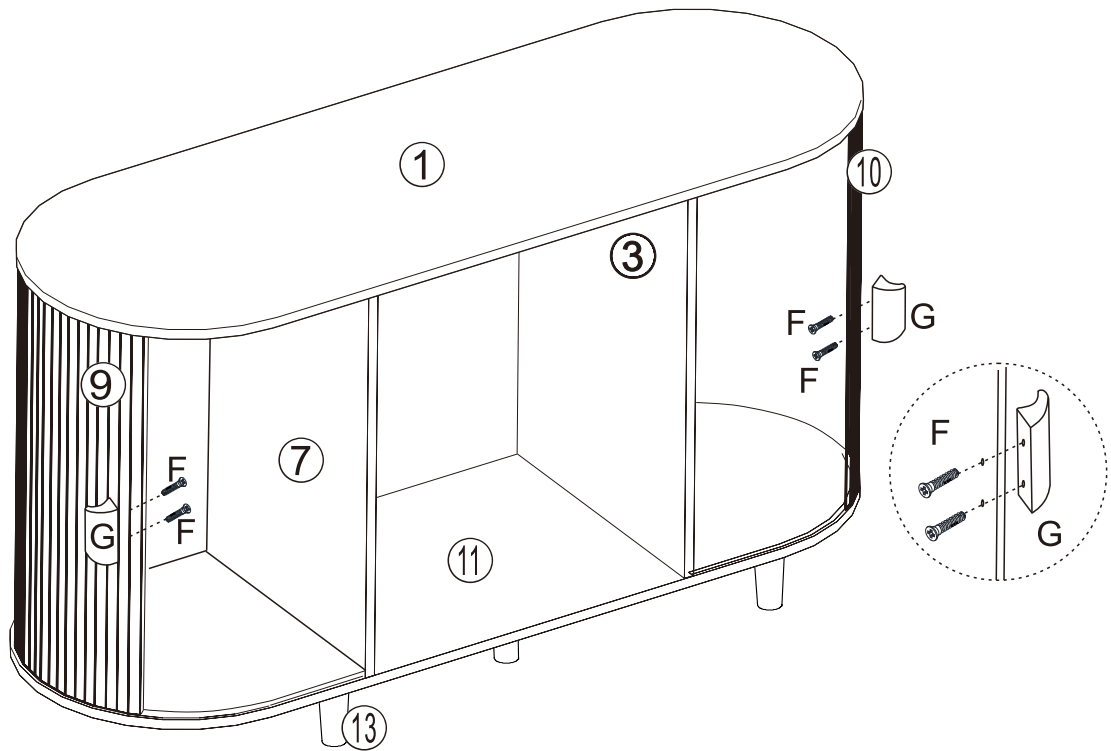


Step4

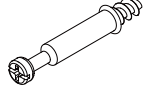

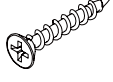


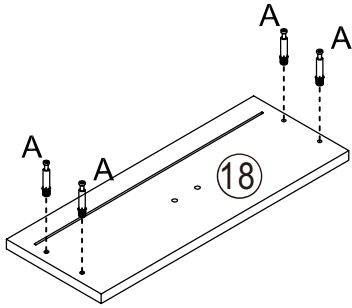
Step5

			
F	4PCS	G	2PCS

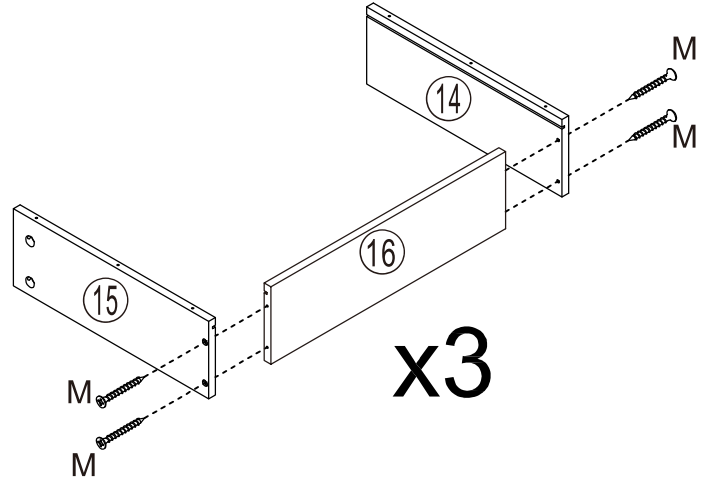


Step6

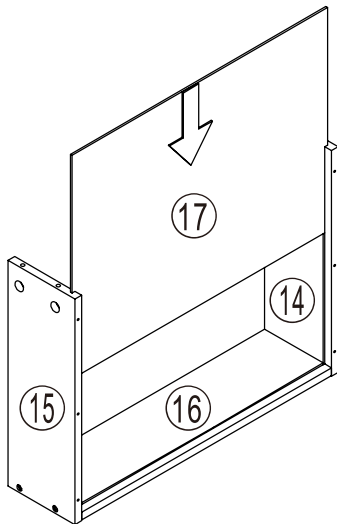
					
A	12PCS	B	12PCS	M	12PCS



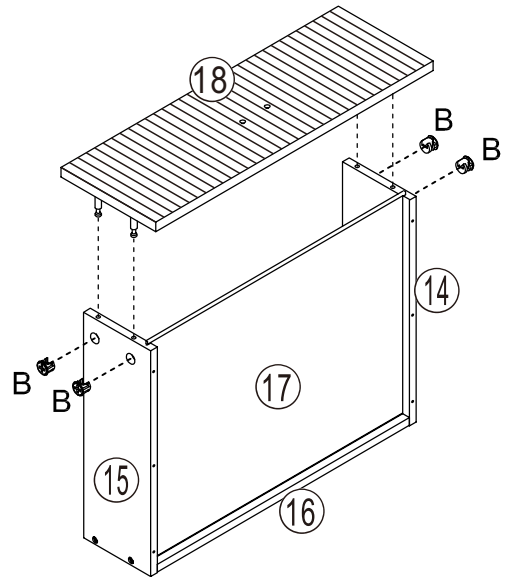
x3



x3

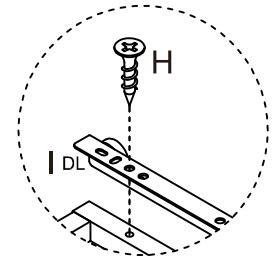
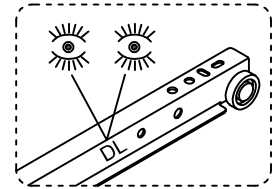
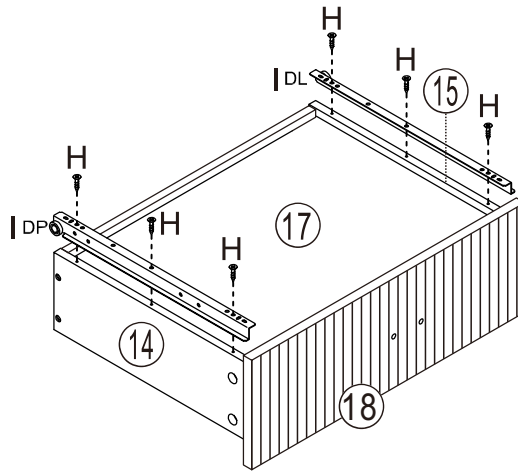
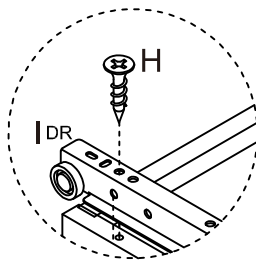
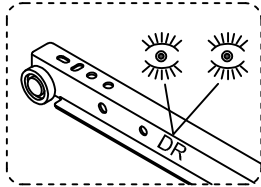
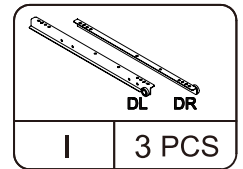
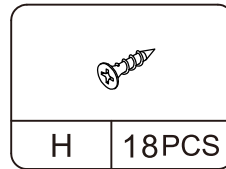
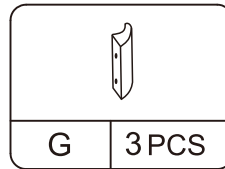
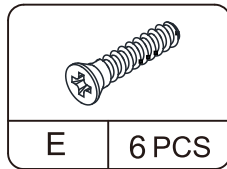


x3

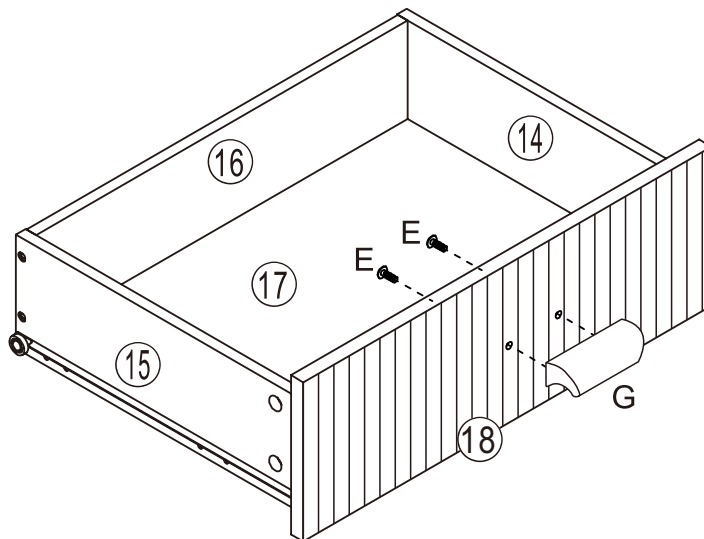


x3

Step 7

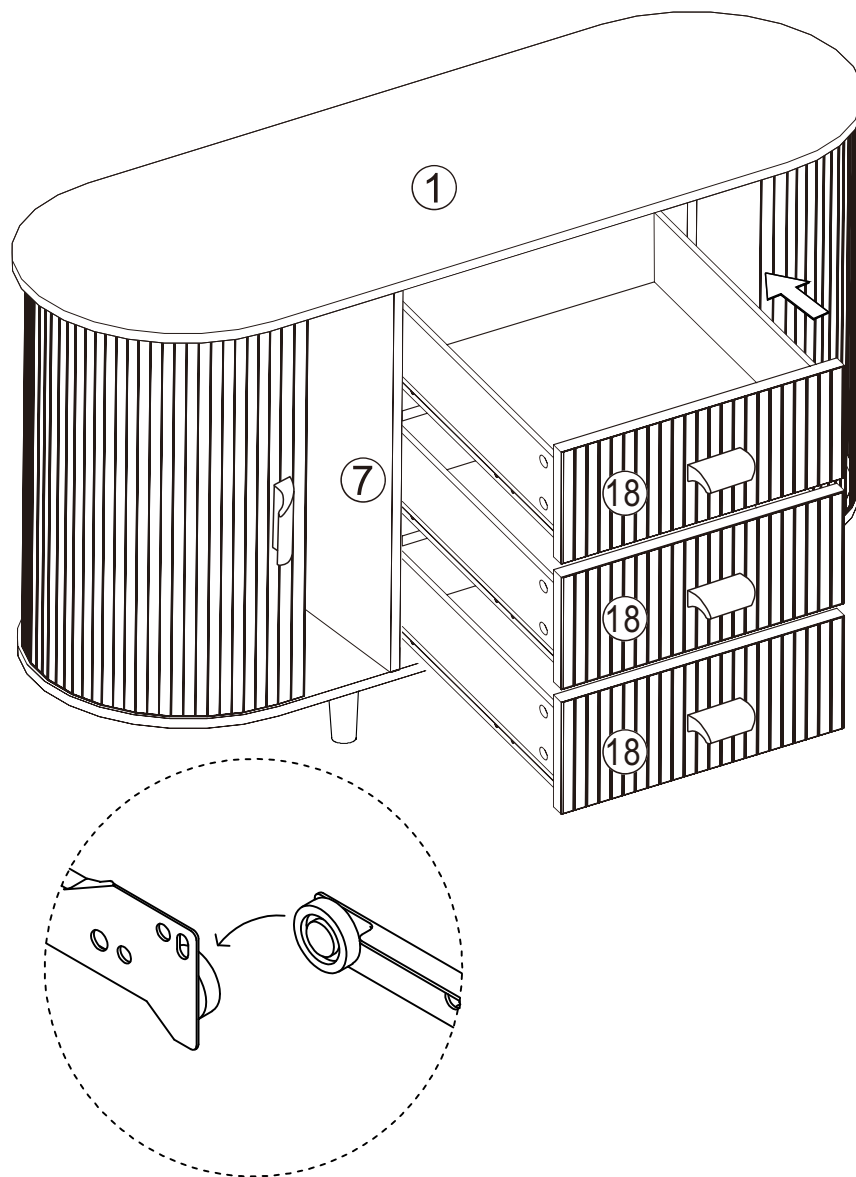


x3

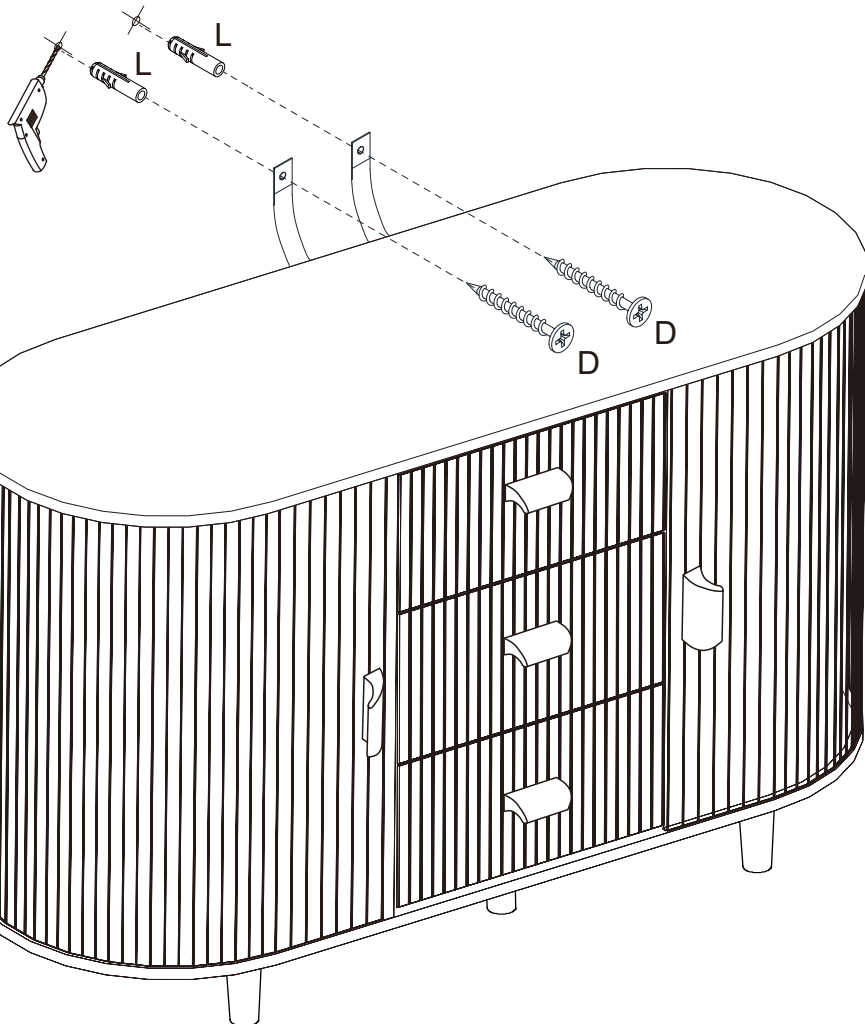
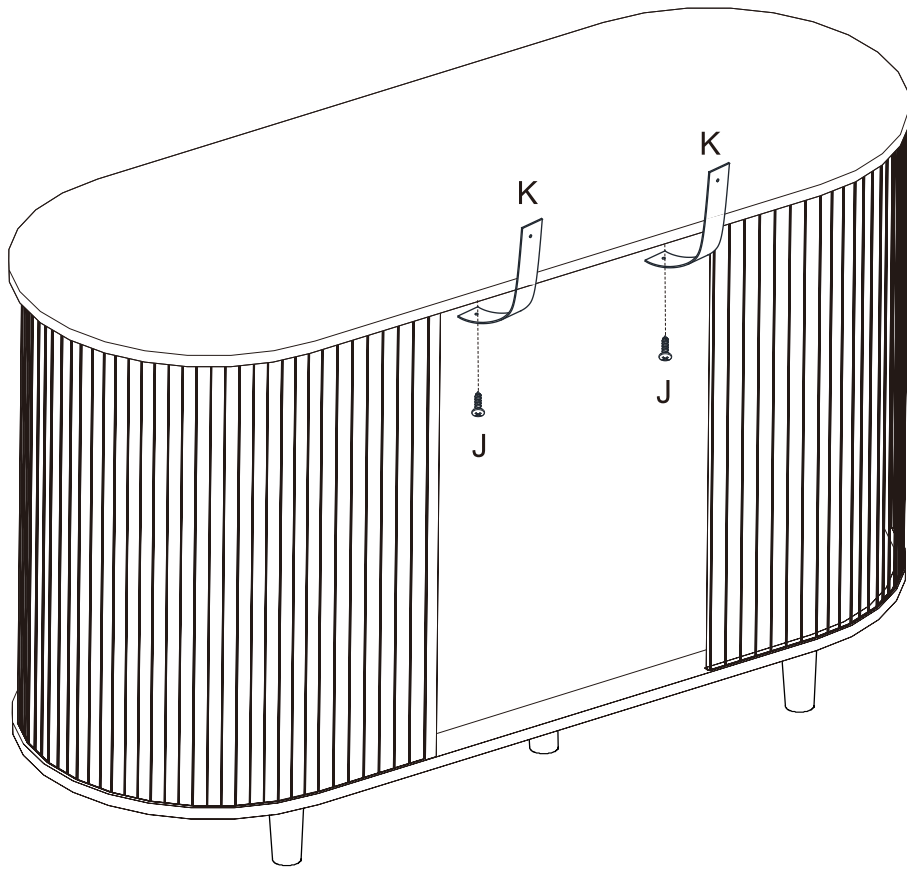
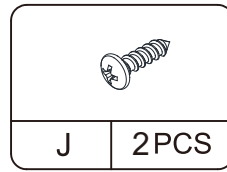
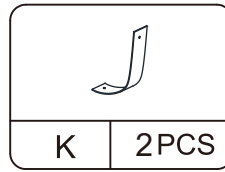
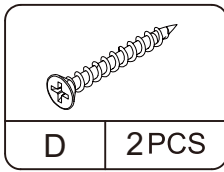
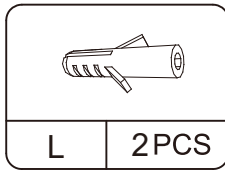


x3

Step 8



Step9

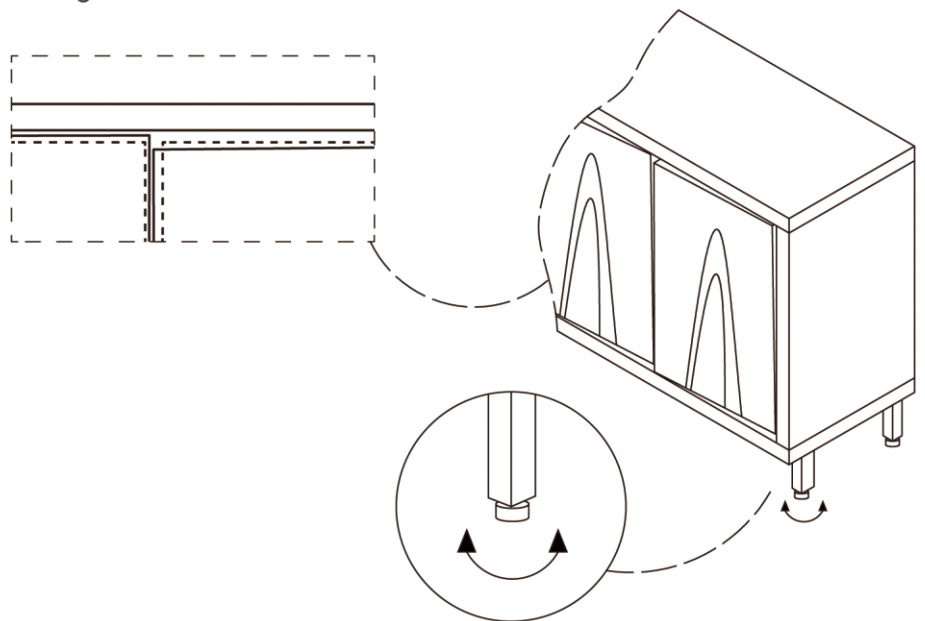


Step10

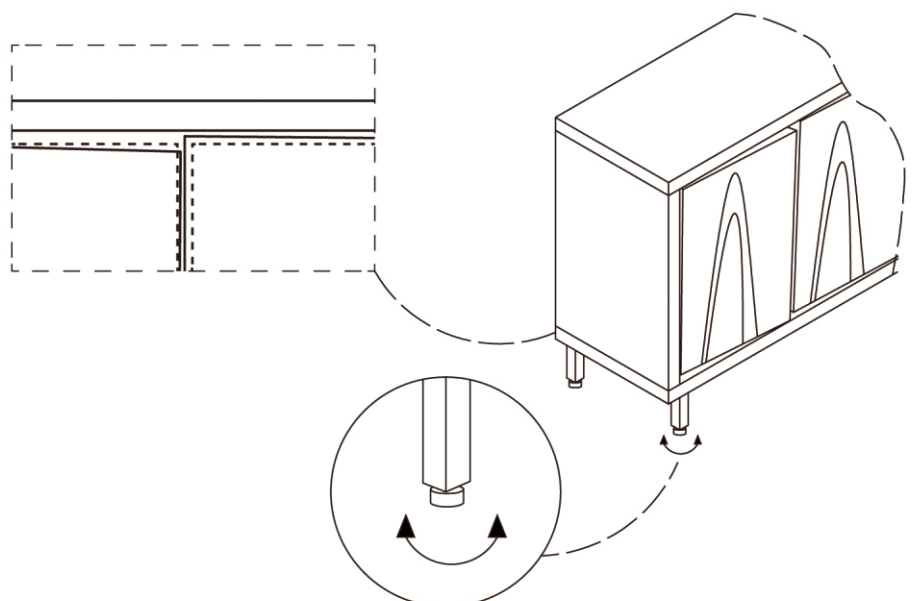
Is your cabinet door looking crooked or unevenly spaced? (Cont.)

If you're still having trouble lining everything up, your next step should be to try to adjust the feet slightly to square up the cabinet & doors. Follow the illustrations below:

If the right door appears to be hanging low, you can adjust the adjustable leveler on the front right until the door is better aligned.



If the left door appears to be hanging low, you can adjust the adjustable leveler on the front left until the door is better aligned.



Proper Use

- DO NOT** use for commercial purposes
- DO NOT** use as a step stool or stand on table
- DO NOT** put hot serving liquid directly on the table top
- DO NOT** leave spilled liquid on the table top
- DO NOT** use table if damaged
- DO NOT** exceed weight limit
- DO NOT** make temporary repairs
- DO NOT** use outdoor

Dear Customer:

Thank you for purchasing our product,we wish you satisfy our service,if you have any further questions or any quality issues,please show the belows number and don't hesitate to contact our Customer Service People:

W2232202403