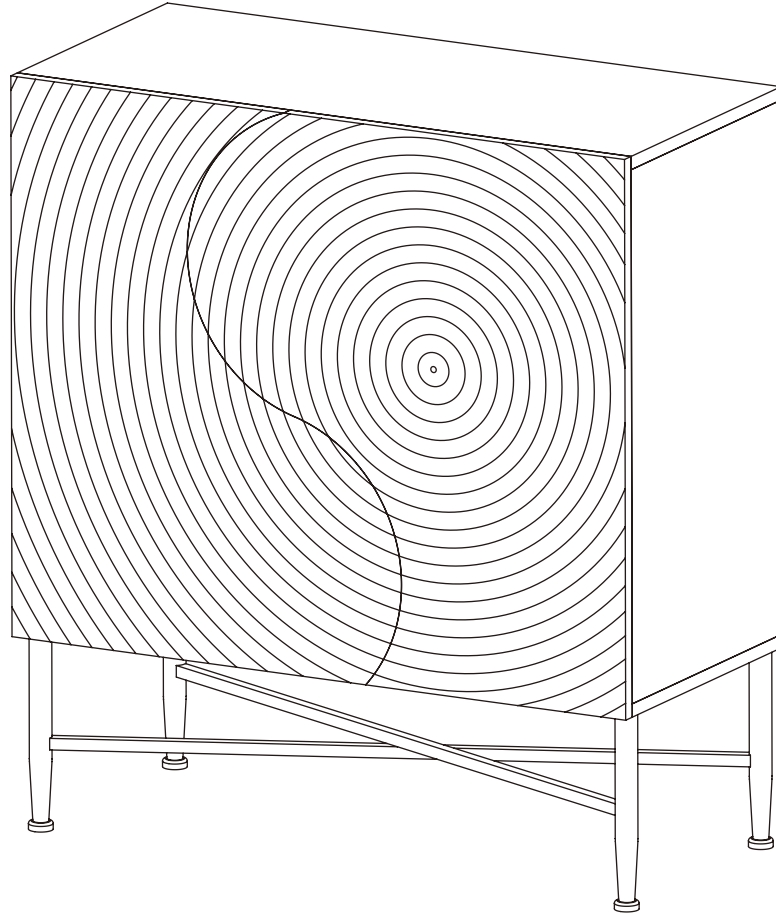


Installation Instruction



Product name

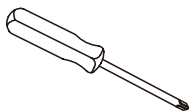
2 Door Cabinet

Ver.1.0 20240408

Assembling

What you need

- Use the packaging carton as a working surface to prevent product damage during assembly
- Phillips head screwdriver



Weight Limitation



44 | **22**
lbs table top | lbs per Shelf



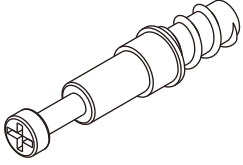
2 PERSONS

What's included

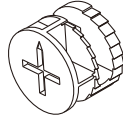
Code	Description	Qty
A	Cam Bolt M6x35mm	11
B	Cam Lock \varnothing 15x10mm	11
C	Wooden Dowel \varnothing 6x30mm	10
D	Plastic Corner Support	8
E	Screw M3x14mm	8
F	Screw M4x35mm	6
G	Metal Support	4
H	Bolt M6x15mm	4
I	Big Metal Washer	4
J	Screw M4x16mm	24
K	Hinge	4
L	Screw M4x15mm	2
M	Nylon Strap	2
N	Anchor 6x30mm	2
O	Small Metal Washer	2
P	Allen Key	1

The Hardware

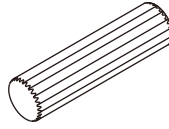
A



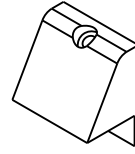
B



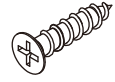
C



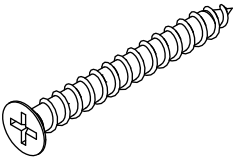
D



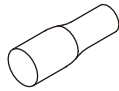
E



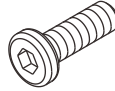
F



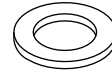
G



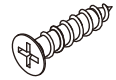
H



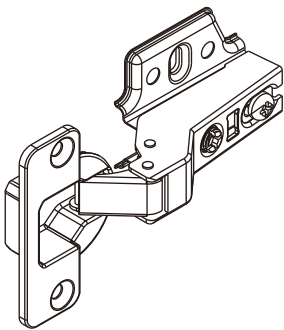
I



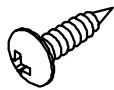
J



K



L



M



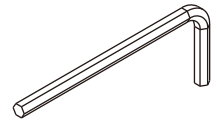
N



O



P



IMPORTANT:

1. Do not tighten bolts / screws completely until all bolts / screws are lined up and inserted into holes.
2. Do not over tighten screws and bolts to avoid stripping.
3. Please use hand tools to assemble this product. Do not use power tools.
4. Must need 2 people to assemble this product.

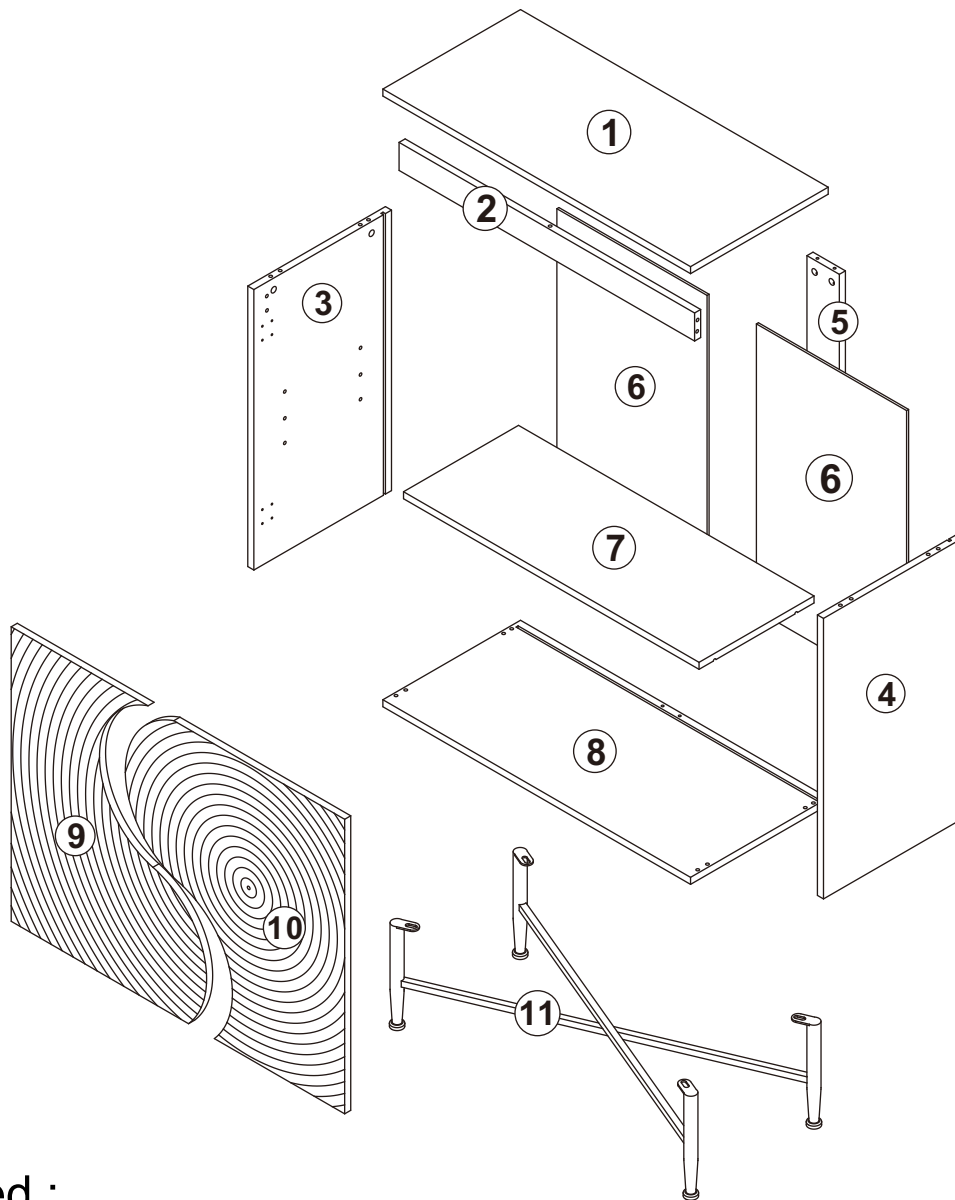


2 PERSONS

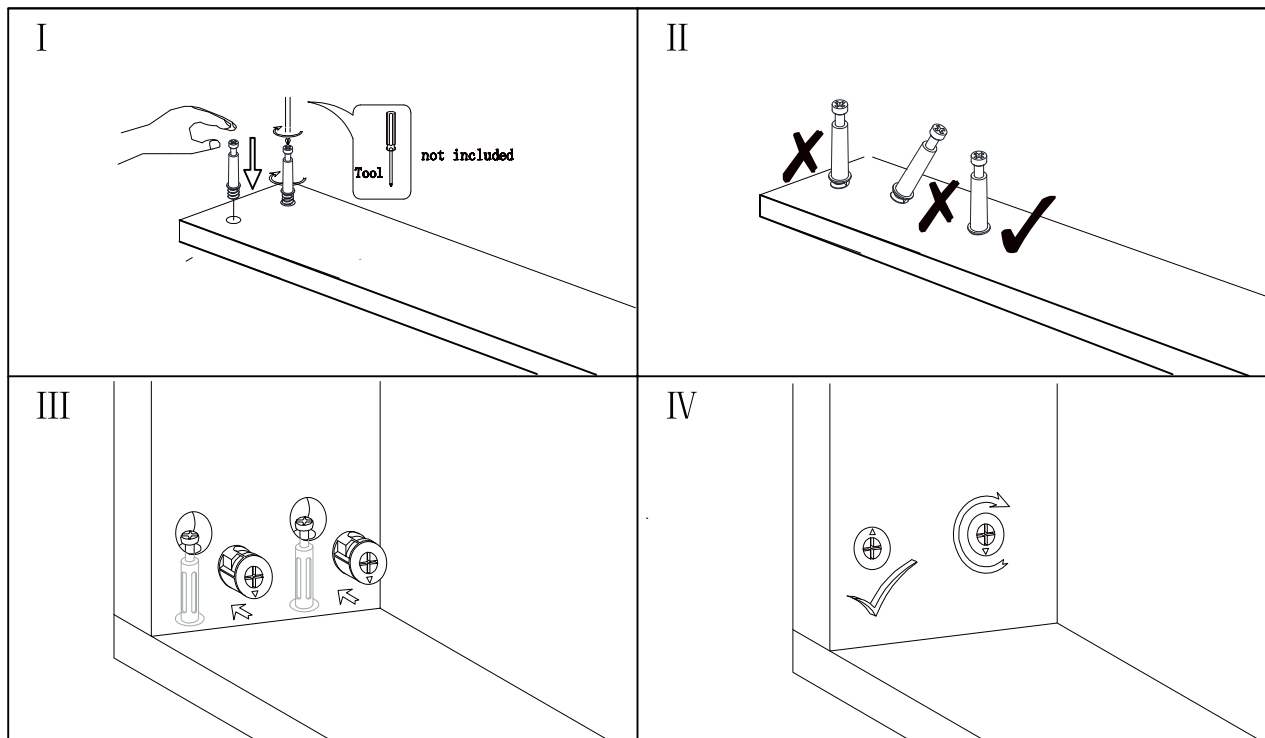
Included Accessories

Code	Description	Qty
1	Cabinet Top	1
2	Top Stretcher	1
3	Left Side Panel	1
4	Right Side Panel	1
5	Back Stretcher	1
6	Back Panel	1
7	Shelf	1
8	Bottom Panel	1
9	Door	1
10	Door	1
11	Cabinet Feet	1

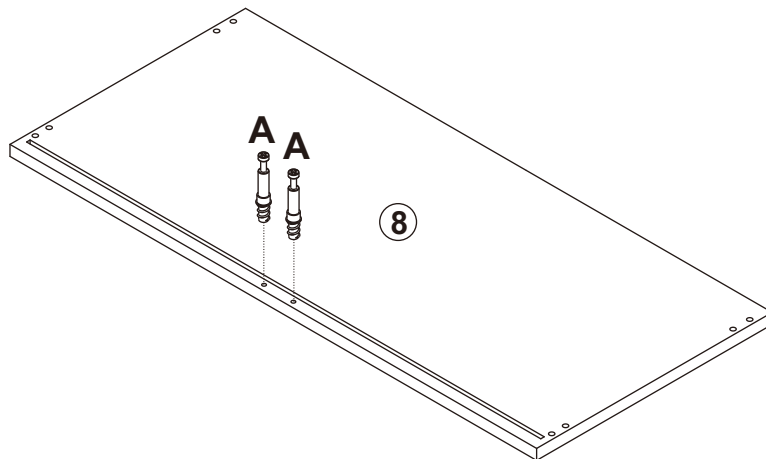
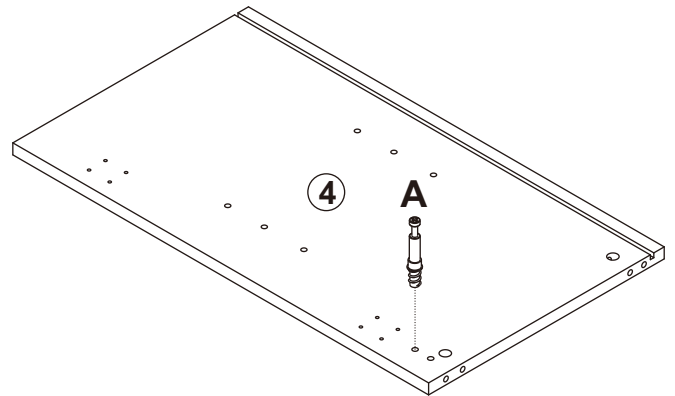
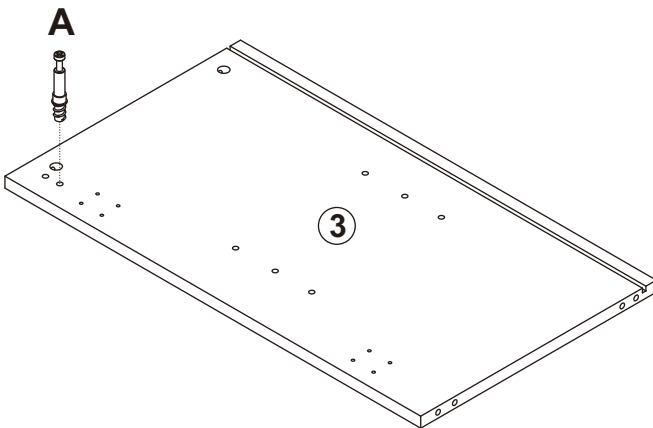
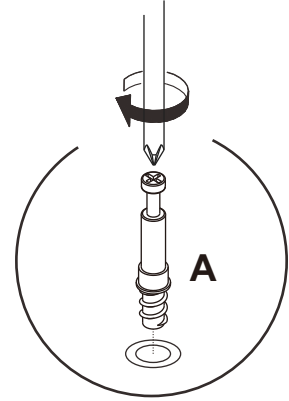
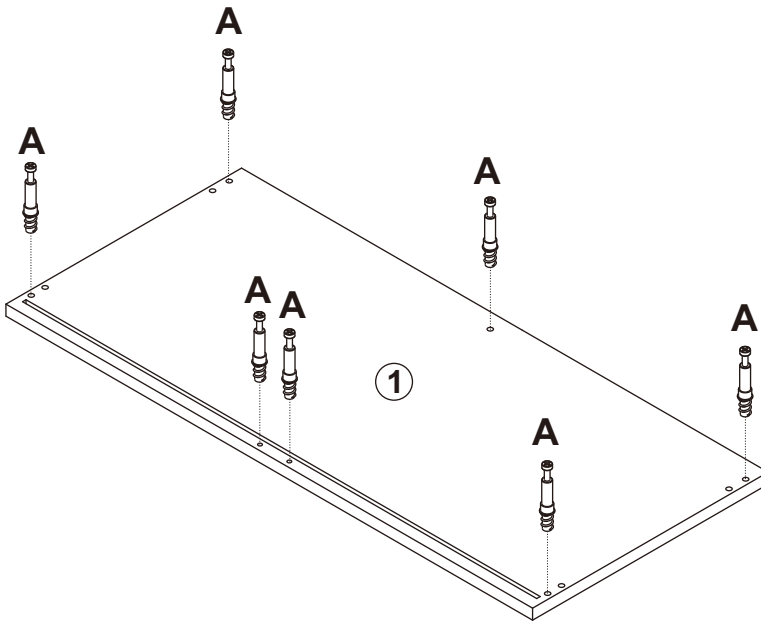
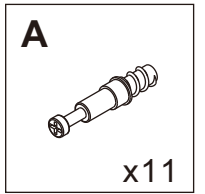
The Accessoriess



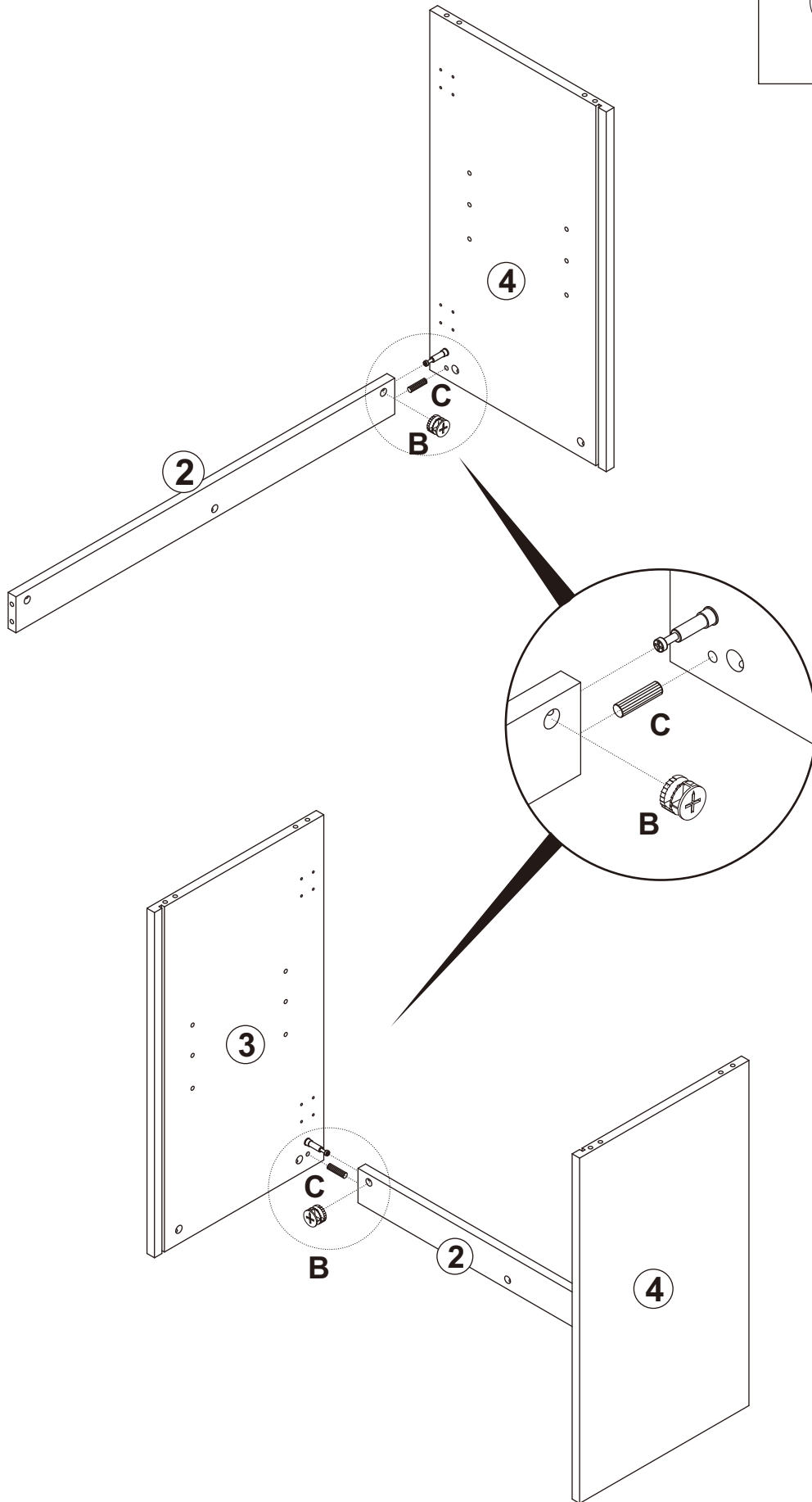
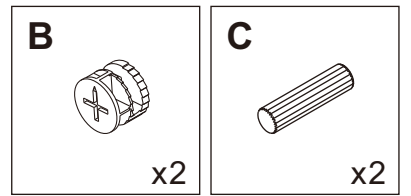
Noted :



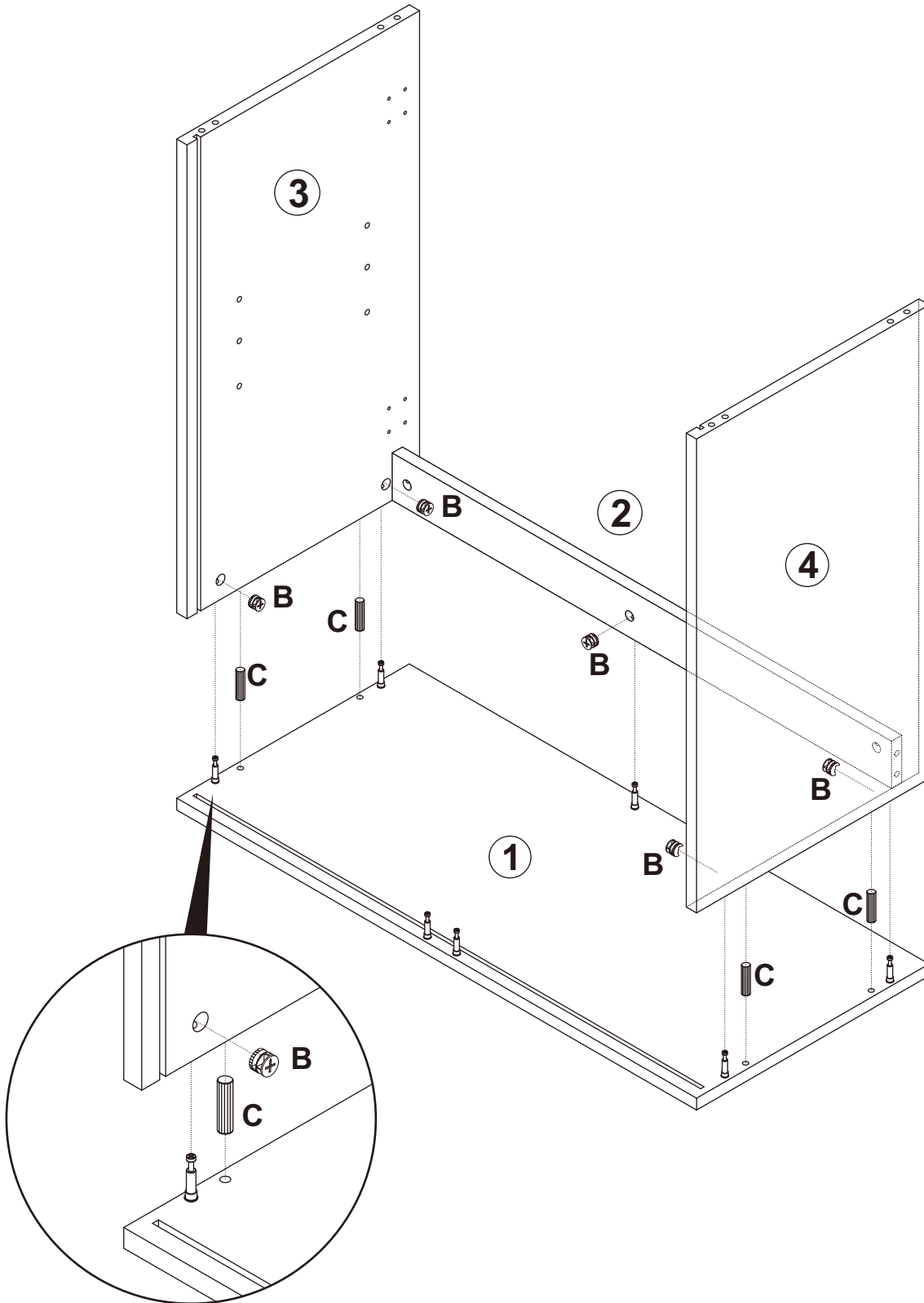
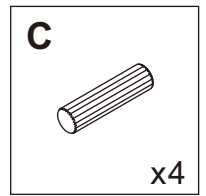
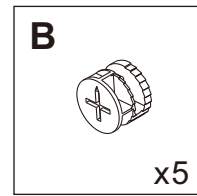
STEP 1



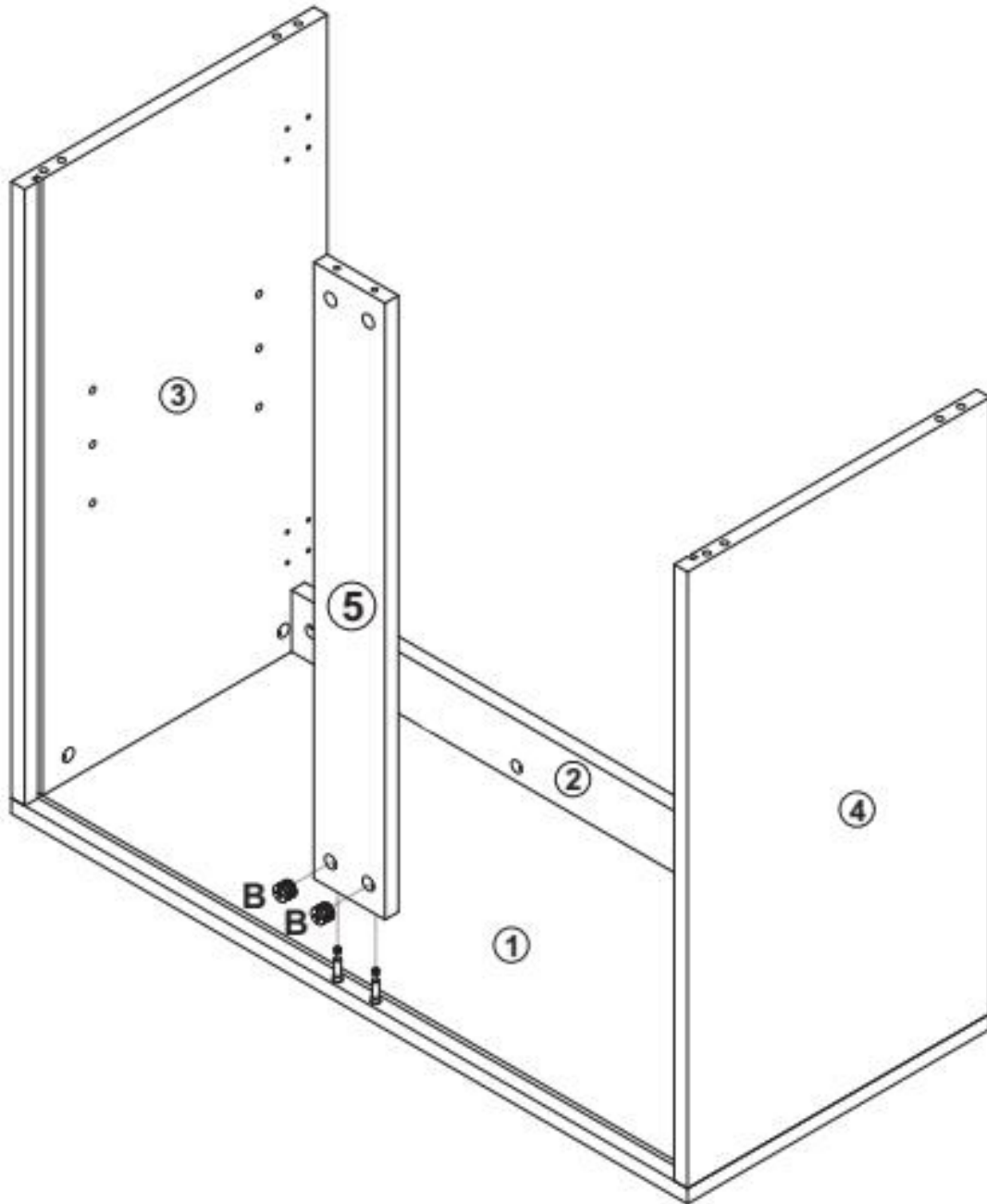
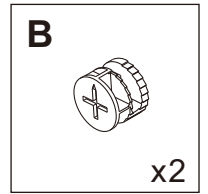
STEP 2



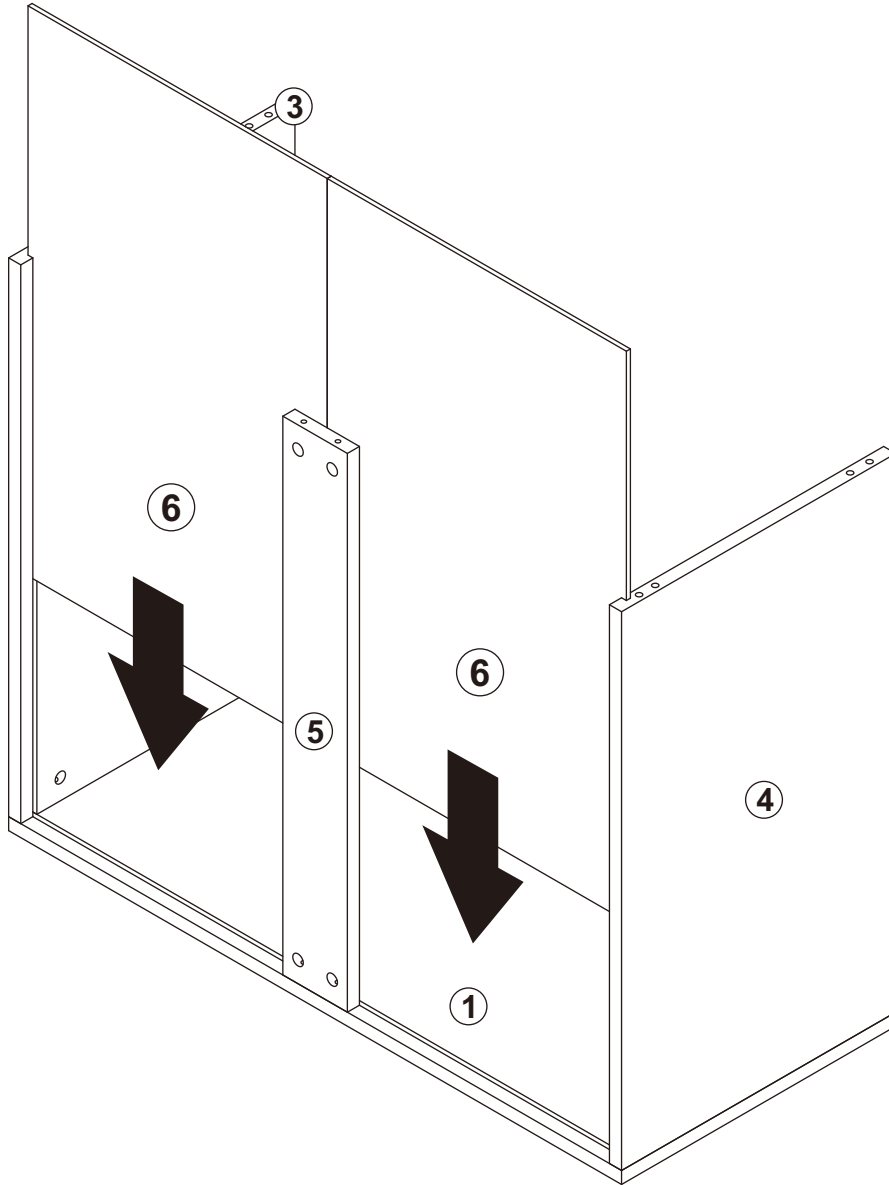
STEP 3



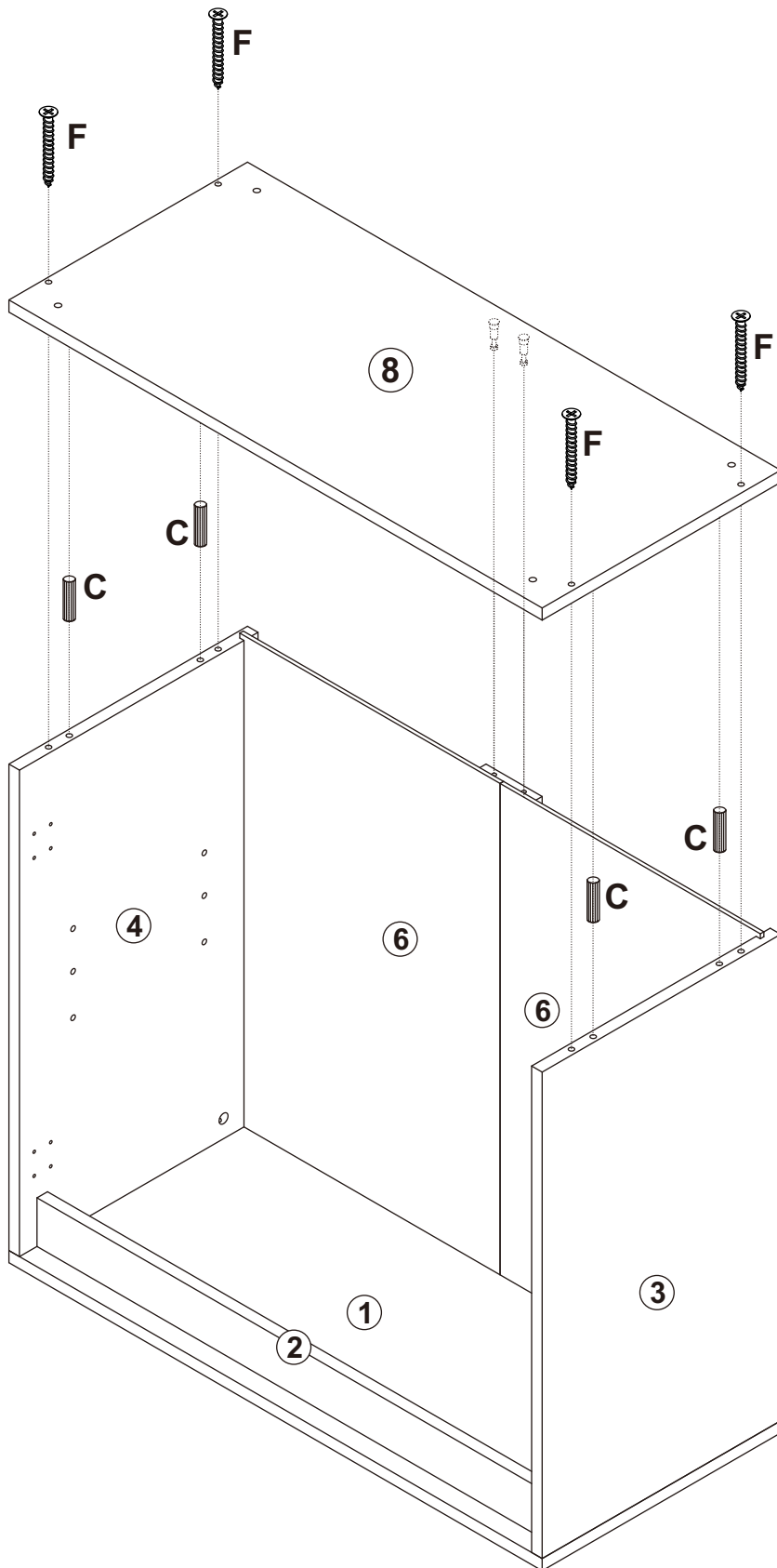
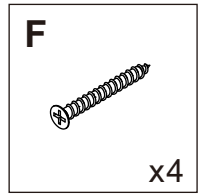
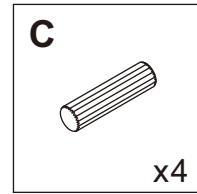
STEP 4



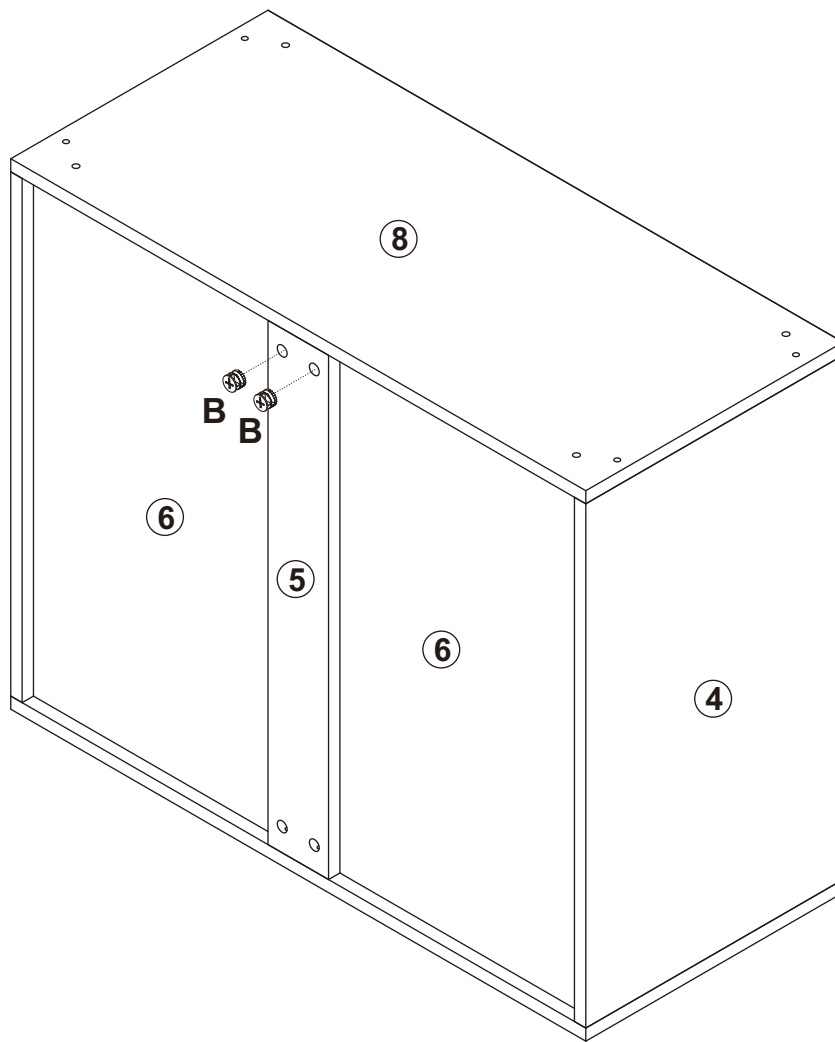
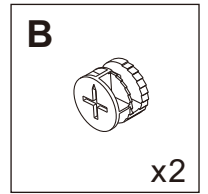
STEP 5



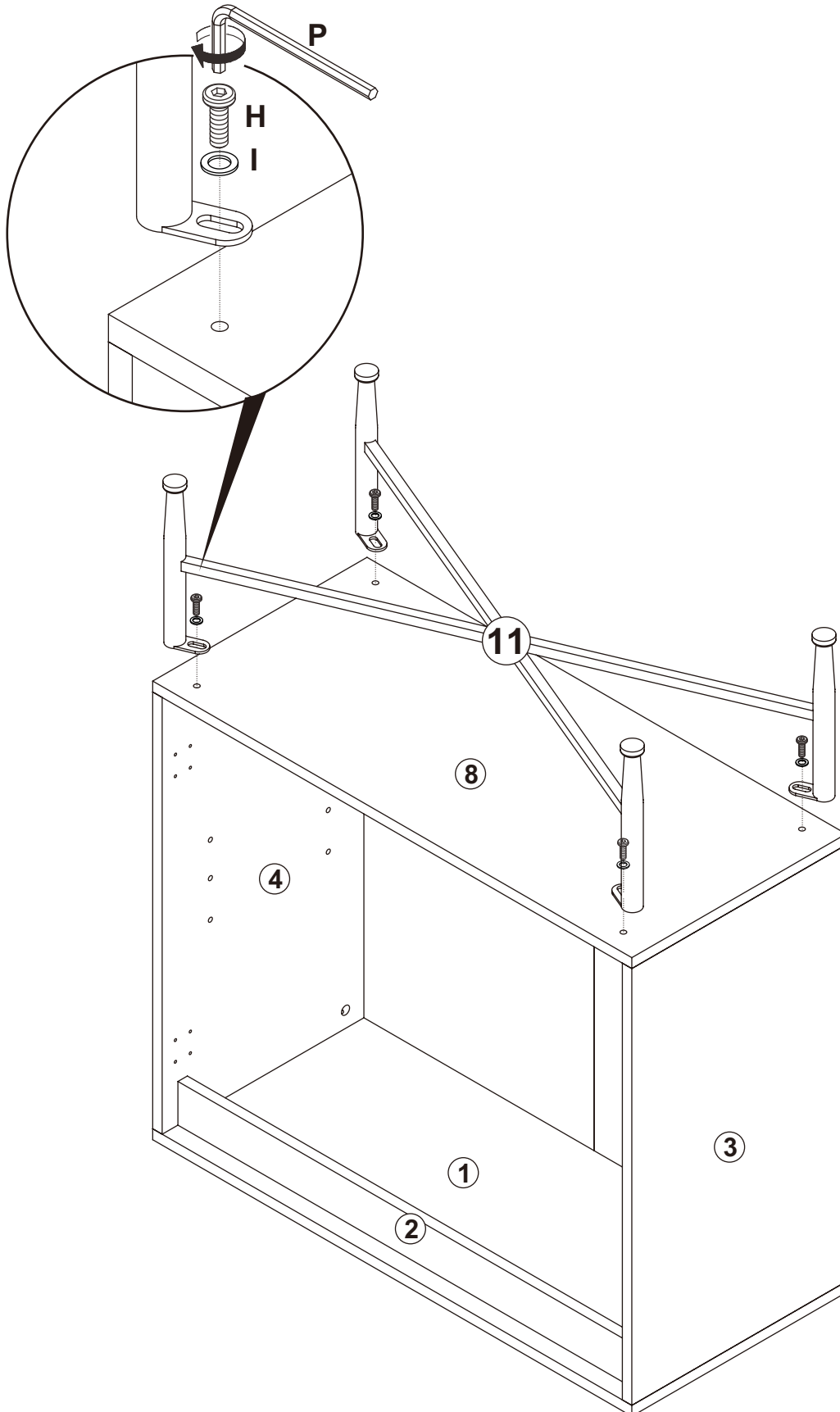
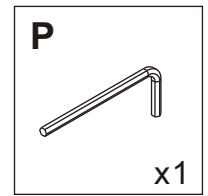
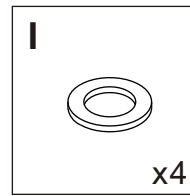
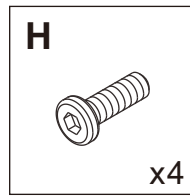
STEP 6



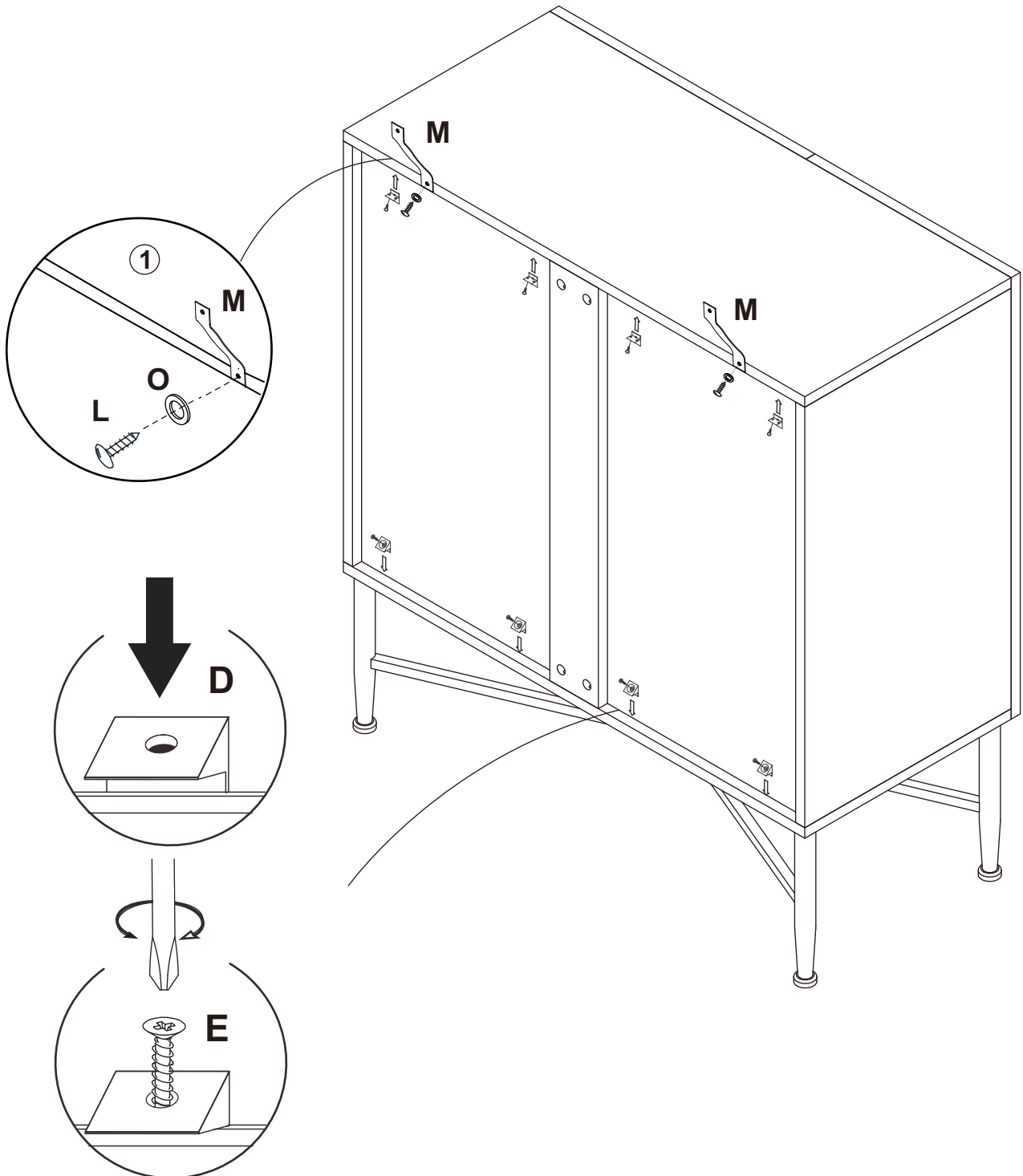
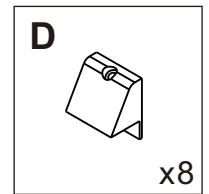
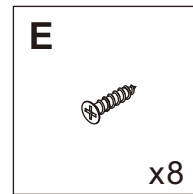
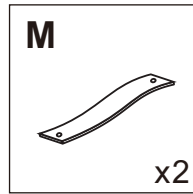
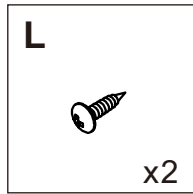
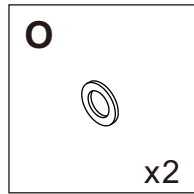
STEP 7



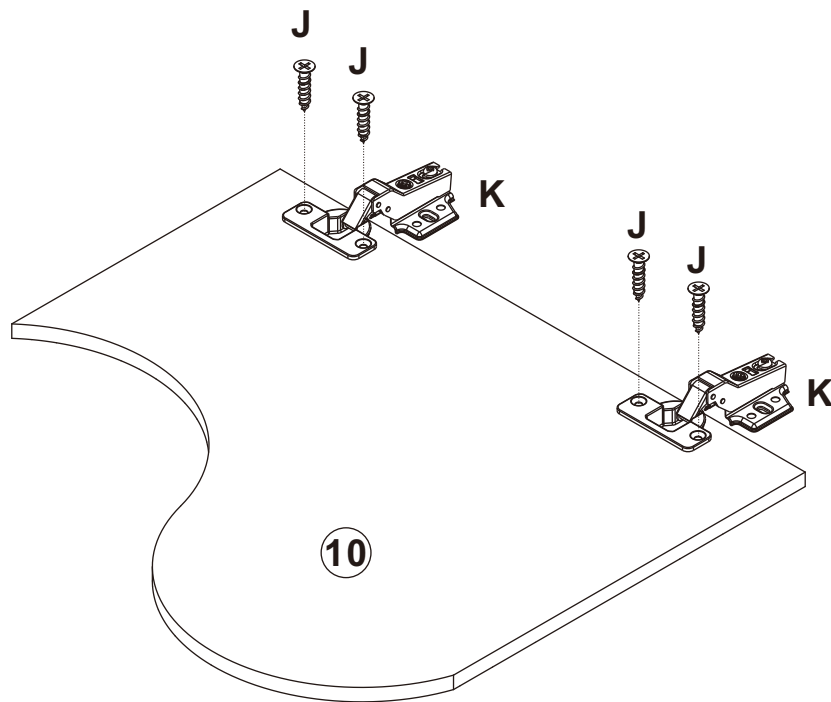
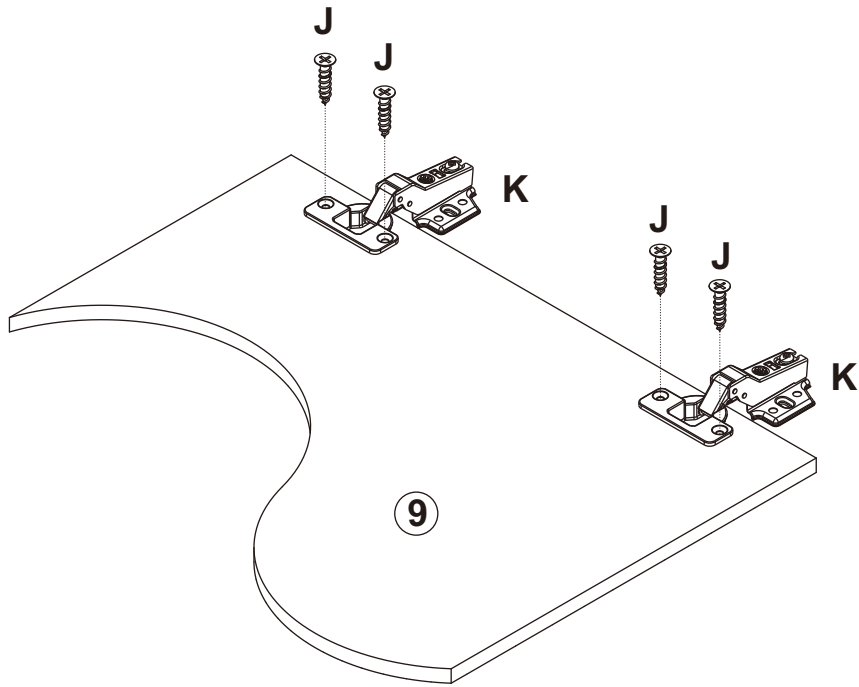
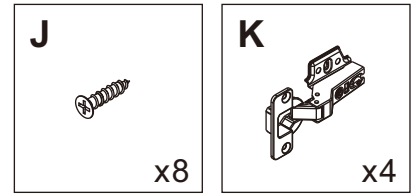
STEP 8



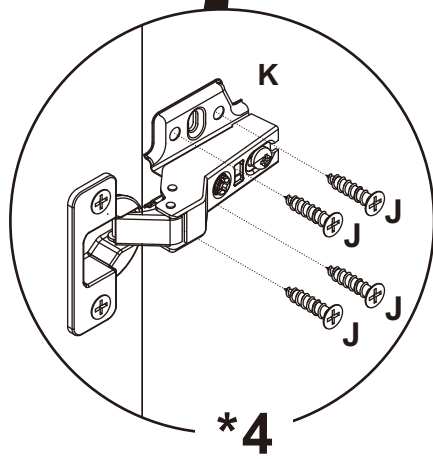
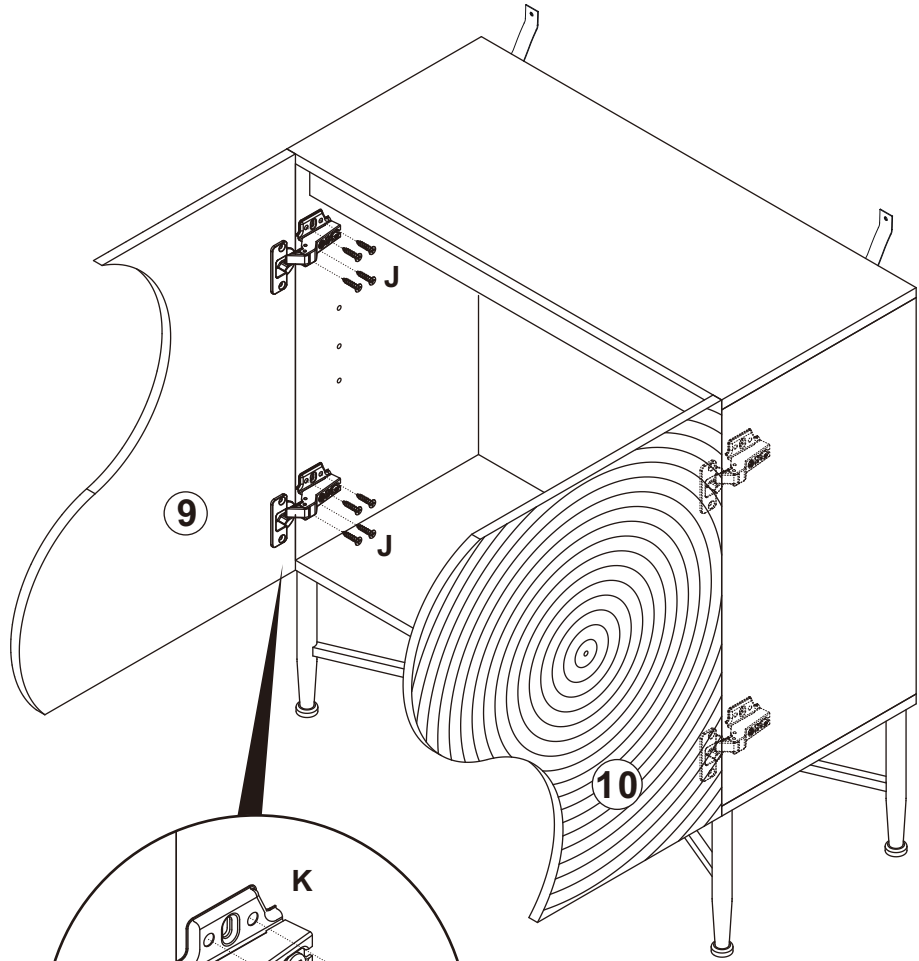
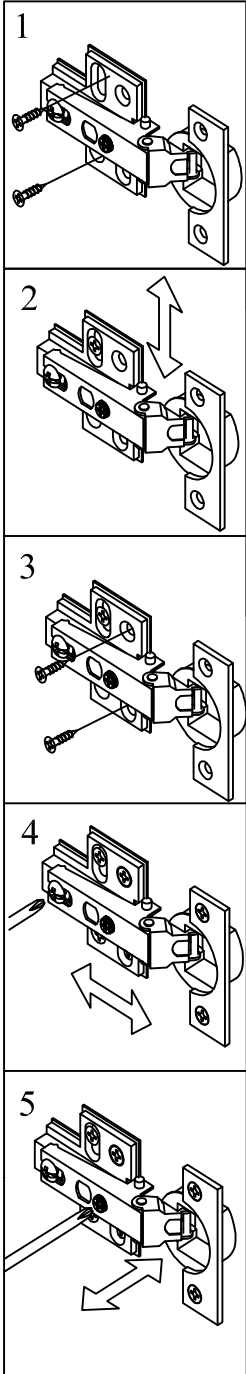
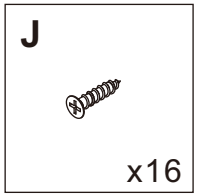
STEP 9



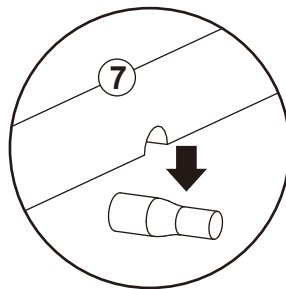
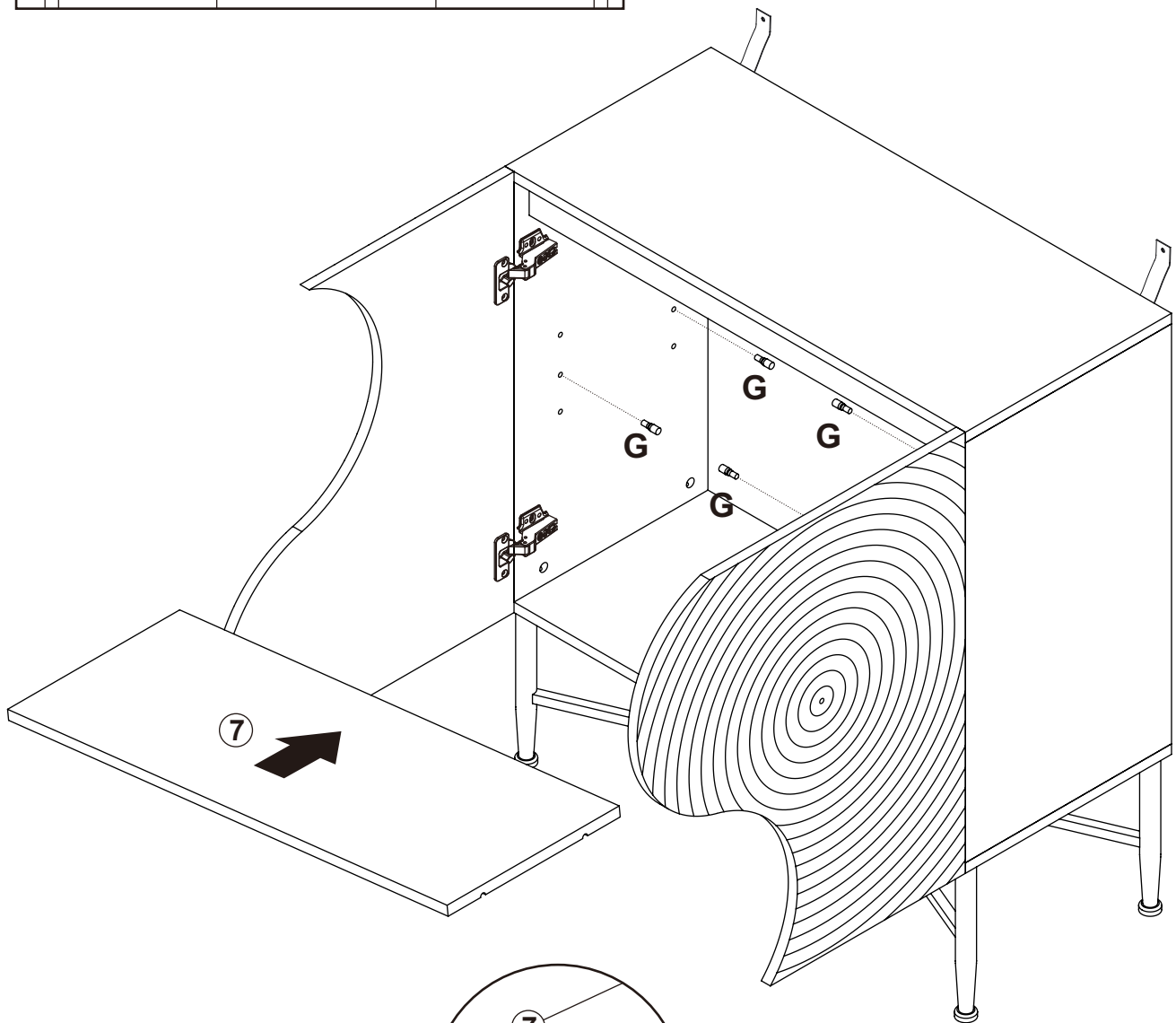
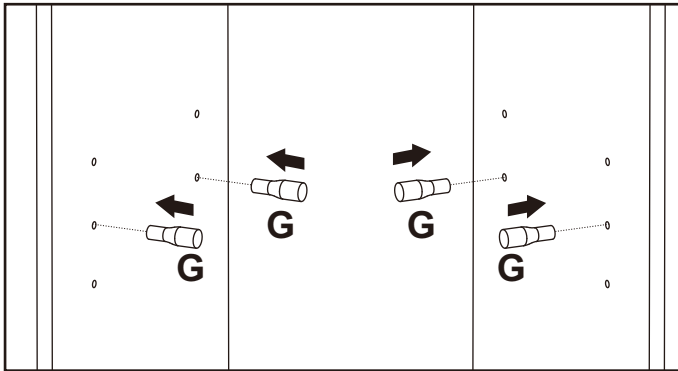
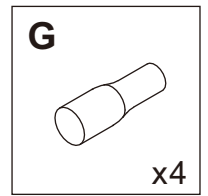
STEP 10



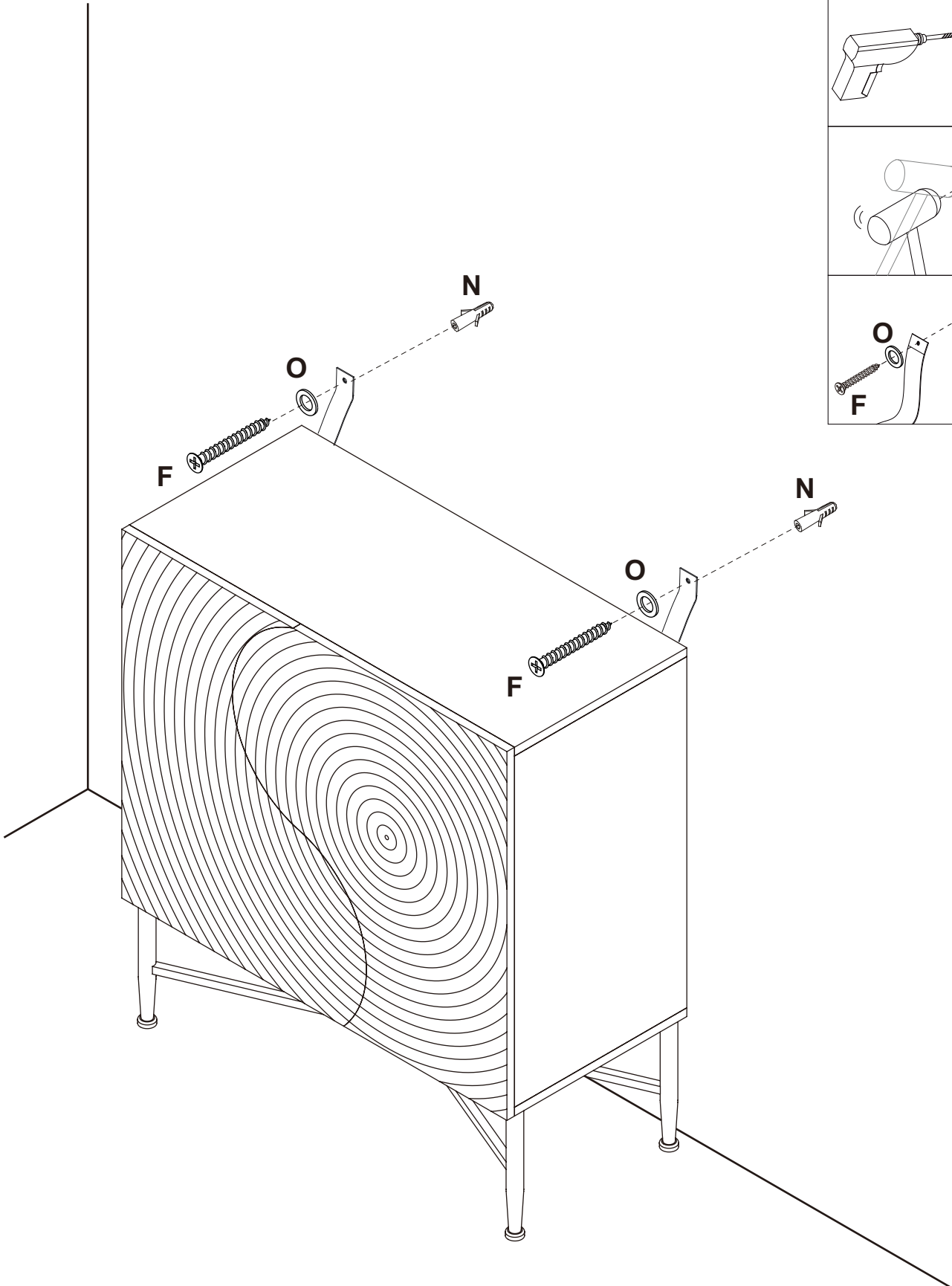
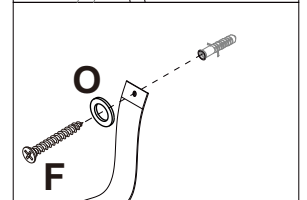
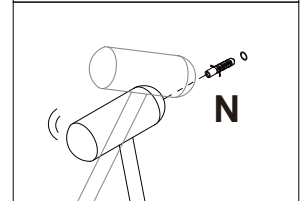
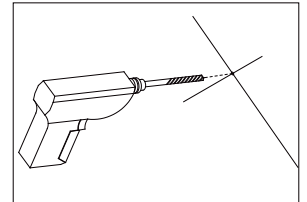
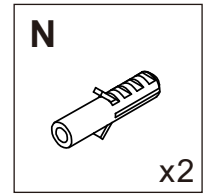
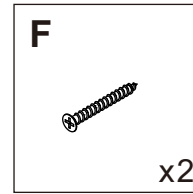
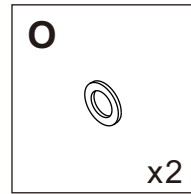
STEP 11



STEP 12



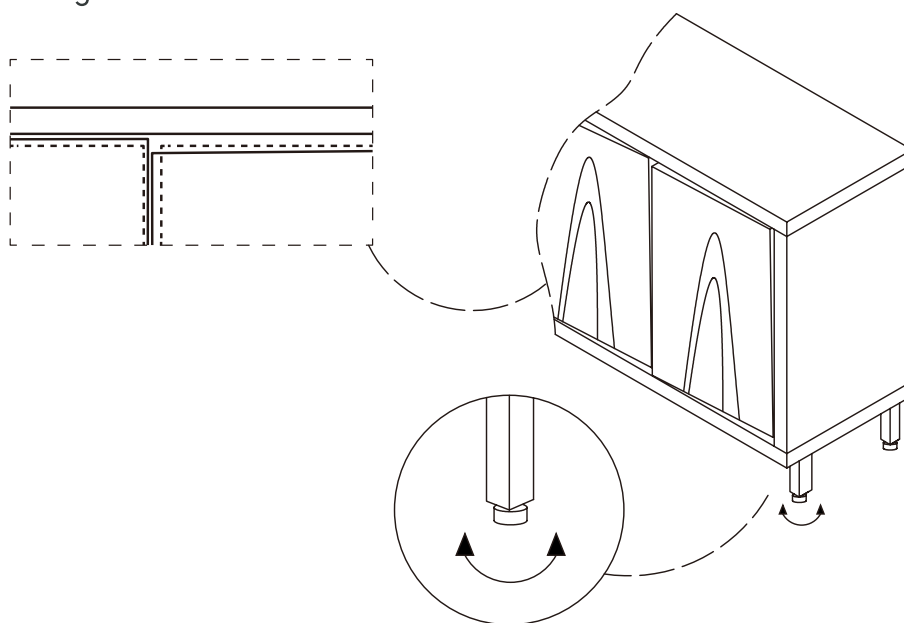
STEP 13



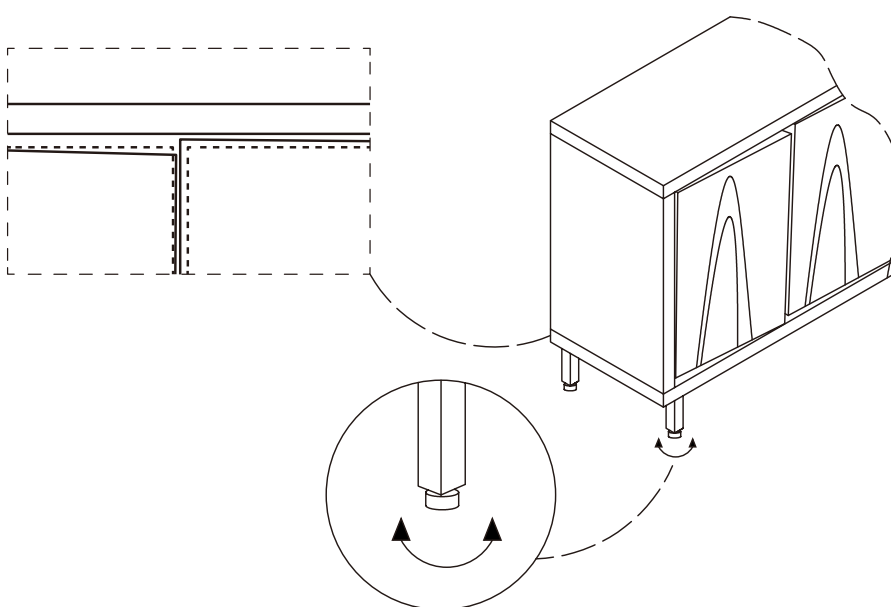
Is your cabinet door looking crooked or unevenly spaced? (Cont.)

If you're still having trouble lining everything up, your next step should be to try to adjust the feet slightly to square up the cabinet & doors. Follow the illustrations below:

If the right door appears to be hanging low, you can adjust the adjustable leveler on the front right until the door is better aligned.



If the left door appears to be hanging low, you can adjust the adjustable leveler on the front left until the door is better aligned.



Proper Use

- DO NOT** use for commercial purposes
- DO NOT** use as a step stool or stand on table
- DO NOT** put hot serving liquid directly on the table top
- DO NOT** leave spilled liquid on the table top
- DO NOT** use table if damaged
- DO NOT** exceed weight limit
- DO NOT** make temporary repairs
- DO NOT** use outdoor

Dear Customer:

Thank you for purchasing our product,we wish you satisfy our service,if you have any further questions or any quality issues,please show the belows number and don't hesitate to contact our Customer Service People:

W2232202404