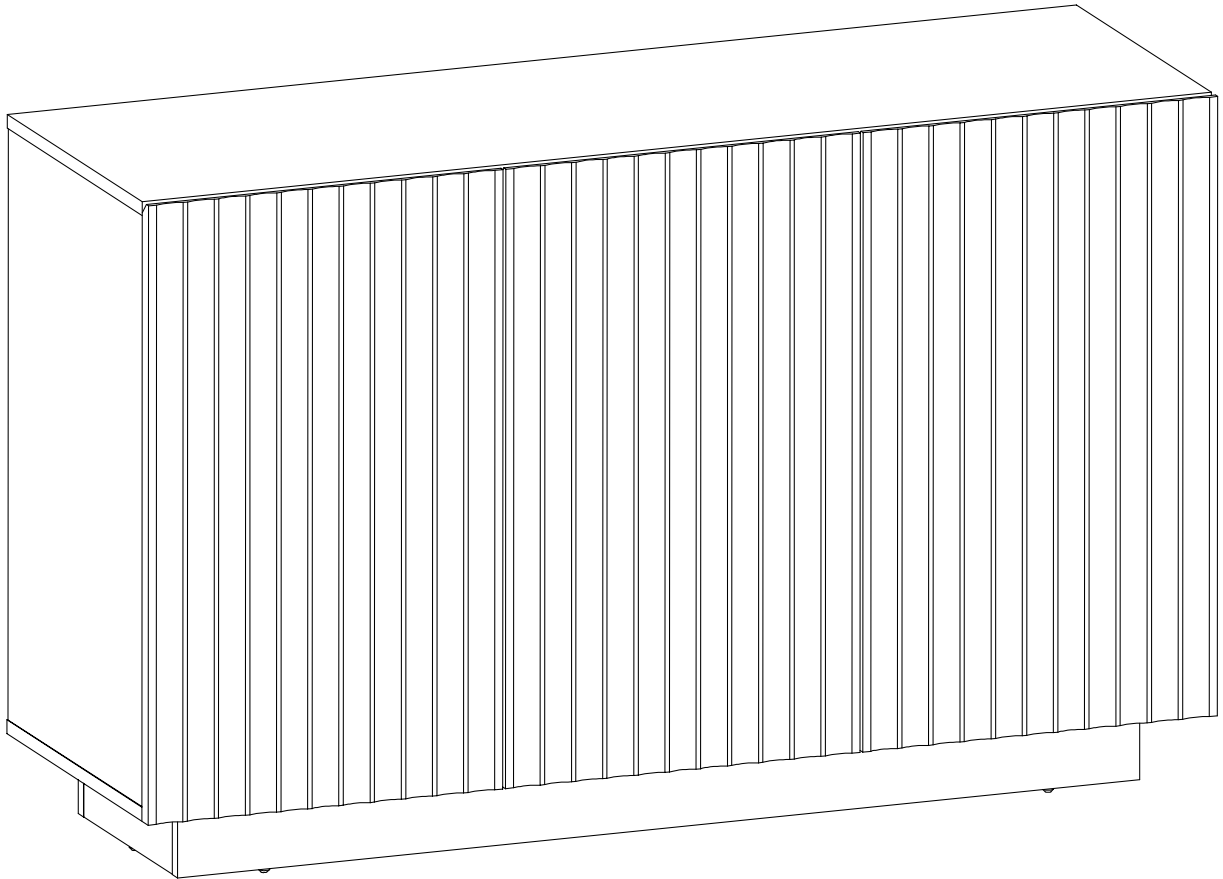


Installation Instruction



Product name

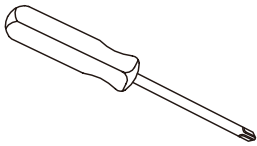
3 Door Cabinet

Ver.1.0 20240408

Assembling

What you need

- Use the packaging carton as a working surface to prevent product damage during assembly
- Phillips head screwdriver



Weight Limitation

 **40** | **20**
lbs table top lbs per shelf



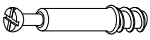
2 PERSONS

What 's included

Code	Description	Qty
A	Cam Bolt M6X35MM	36
B	Cam Lock 15X12MM	36
C	Wooden Dowel ϕ 8X30MM	33
D	Screw M4X35MM	8
E	Screw M3.5X14MM	48
F	Plastic Corner Support	12
G	Hinge	2
H	Hinge	4
I	Screw M3.5X14MM	2
J	Screw M4X35MM	2
K	Nylon Strap	2
L	Anchor M6x30MM	2
M	Metal Support	8
N	Light Belt	1
O	Metal Washer	4

The Hardwares

(A)



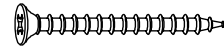
(B)



(C)



(D)



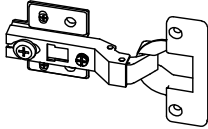
(E)



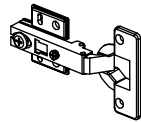
(F)



(G)



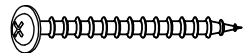
(H)



(I)



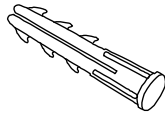
(J)



(K)



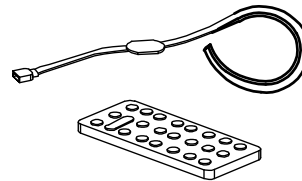
(L)



(M)



(N)



(O)



IMPORTANT :

1. Do not tighten bolts / screws completely until all bolts / screws are lined up and inserted into holes.
2. Do not over tighten screws and bolts to avoid stripping.
3. Please use hand tools to assemble this product. Do not use power tools.
4. Must need 2 people to assemble this product.

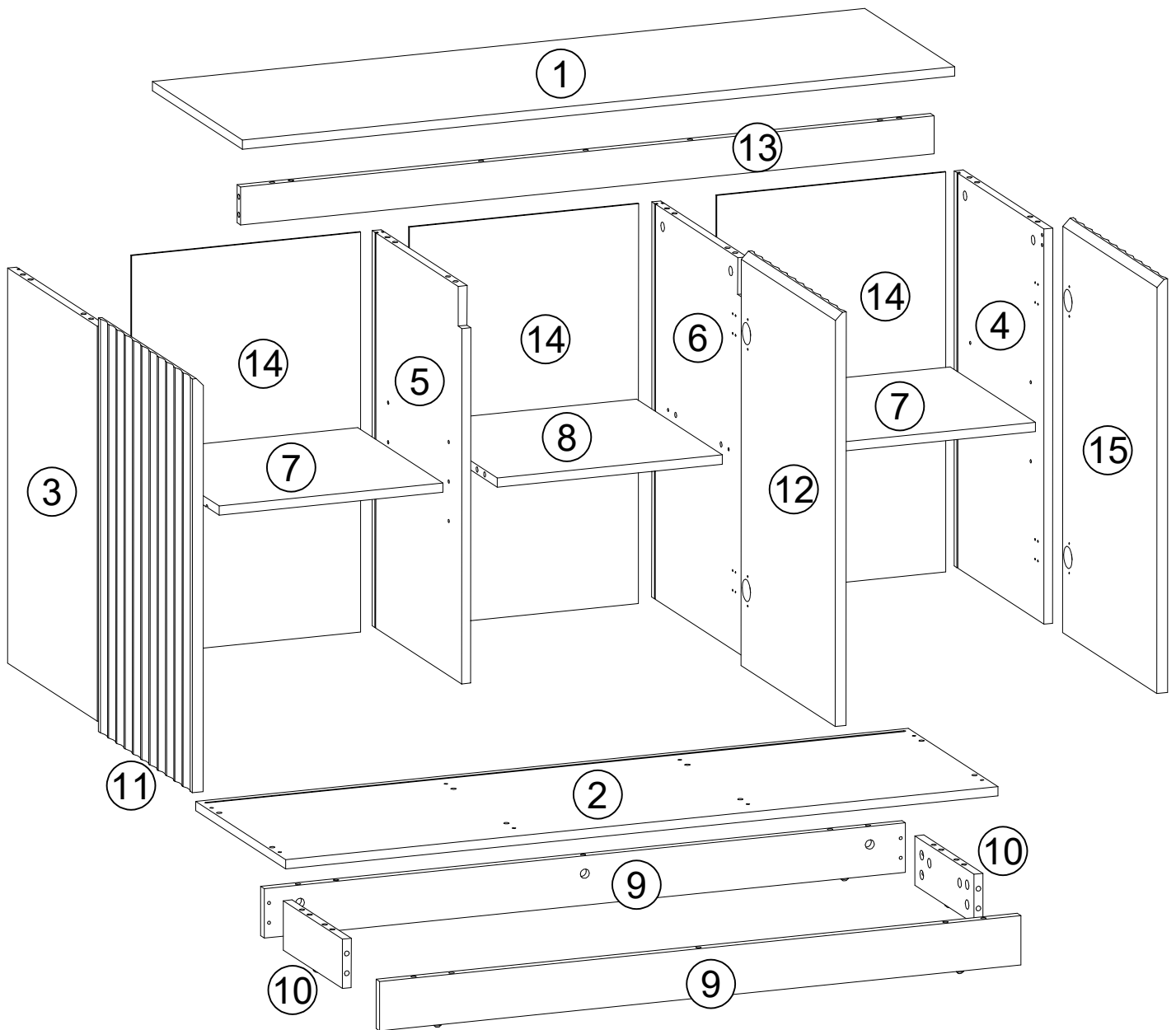


2 PERSONS

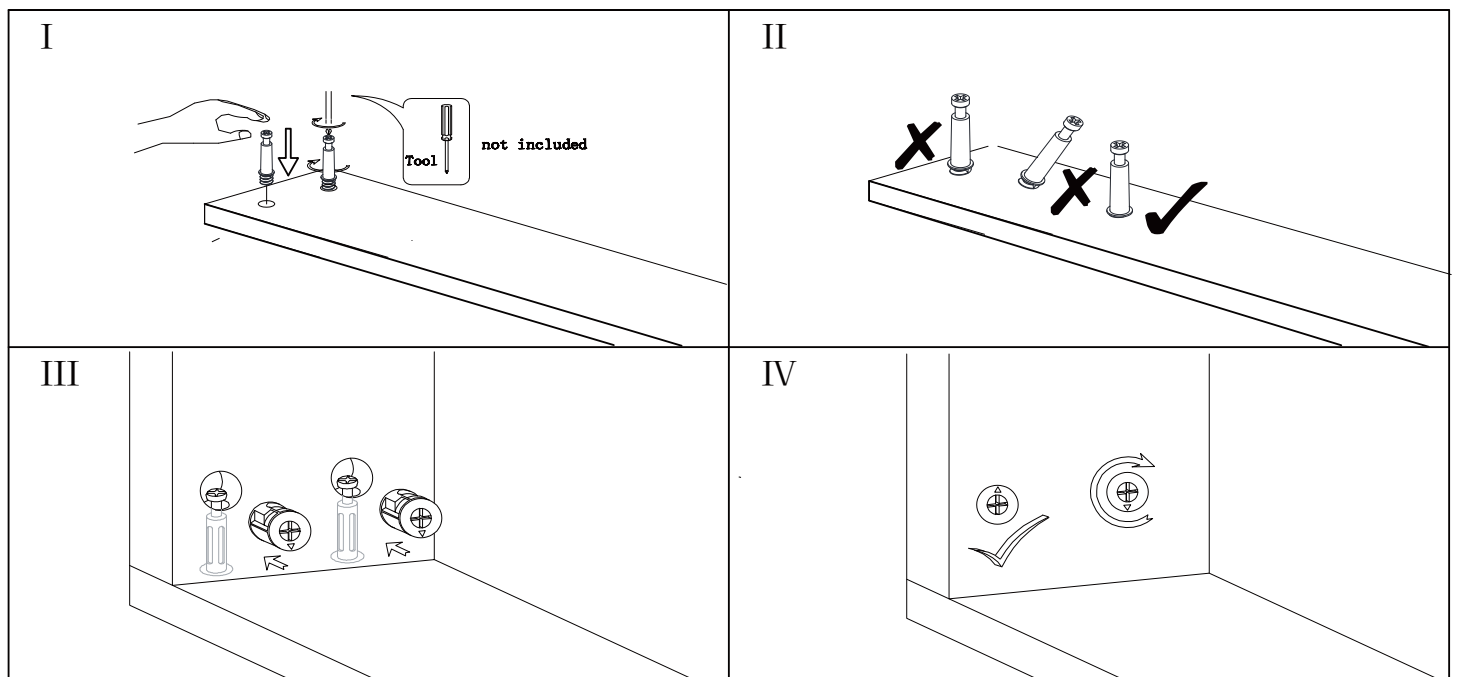
Included Accessories

Code	Description	Qty
1.	Cabinet Top	1
2.	Bottom Panel	1
3.	Left Side Panel	1
4.	Right Side Panel	1
5.	Left Division Panel	1
6.	Right Division Panel	1
7.	Shelf	2
8.	Middle Shelf	1
9.	Bottom Support Panel	2
10.	Bottom Side Panel	2
11.	Left Door	1
12.	Middle Door	1
13.	Top Support Panel	1
14.	Back Panel	3
15.	Right Door	1

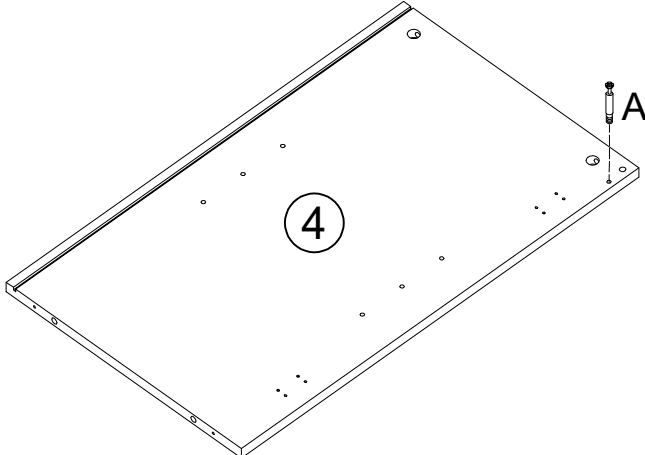
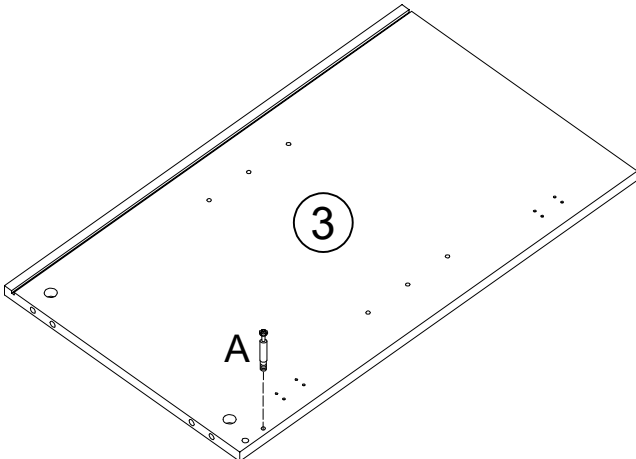
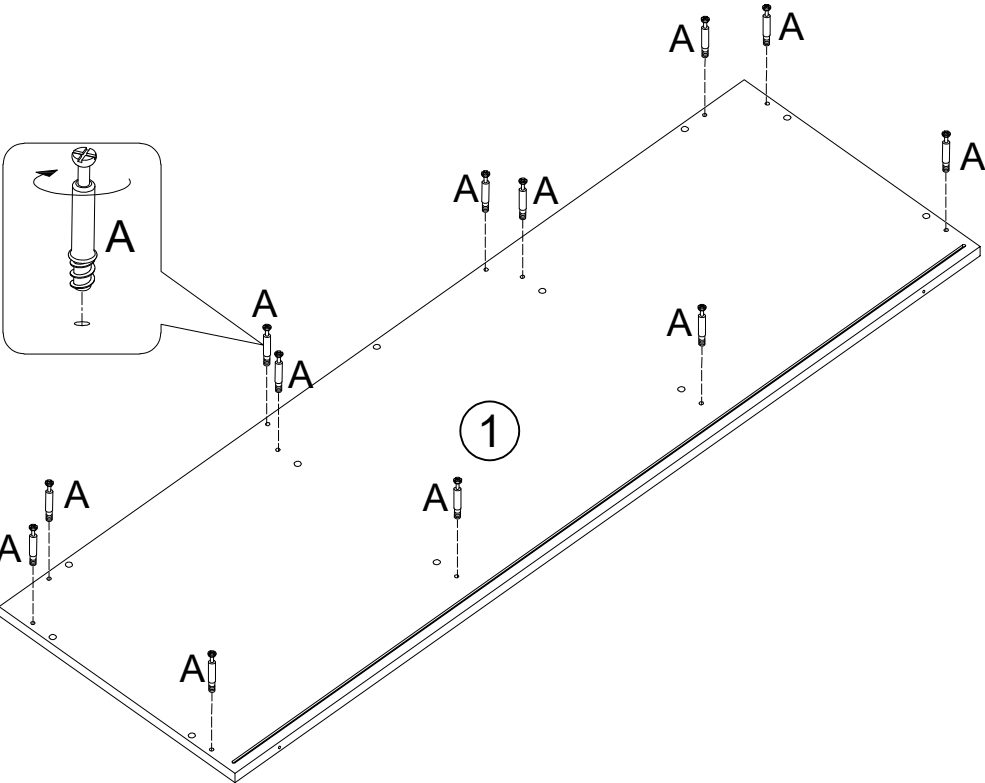
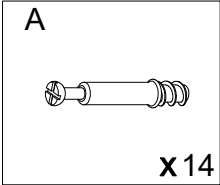
The Accessories



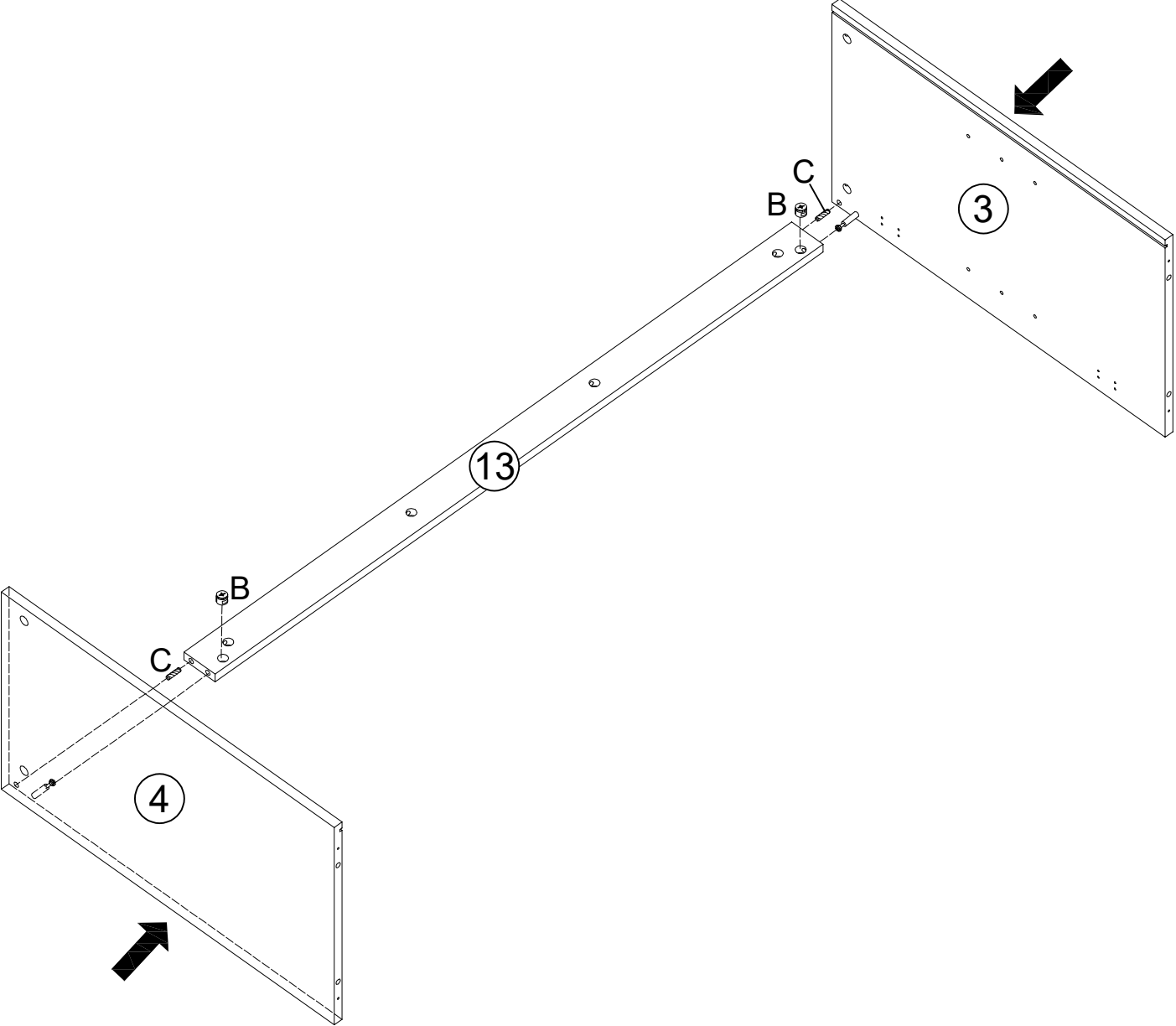
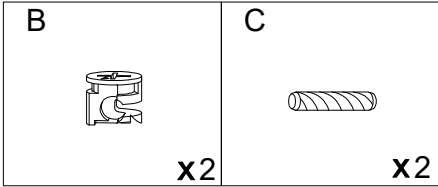
Noted :



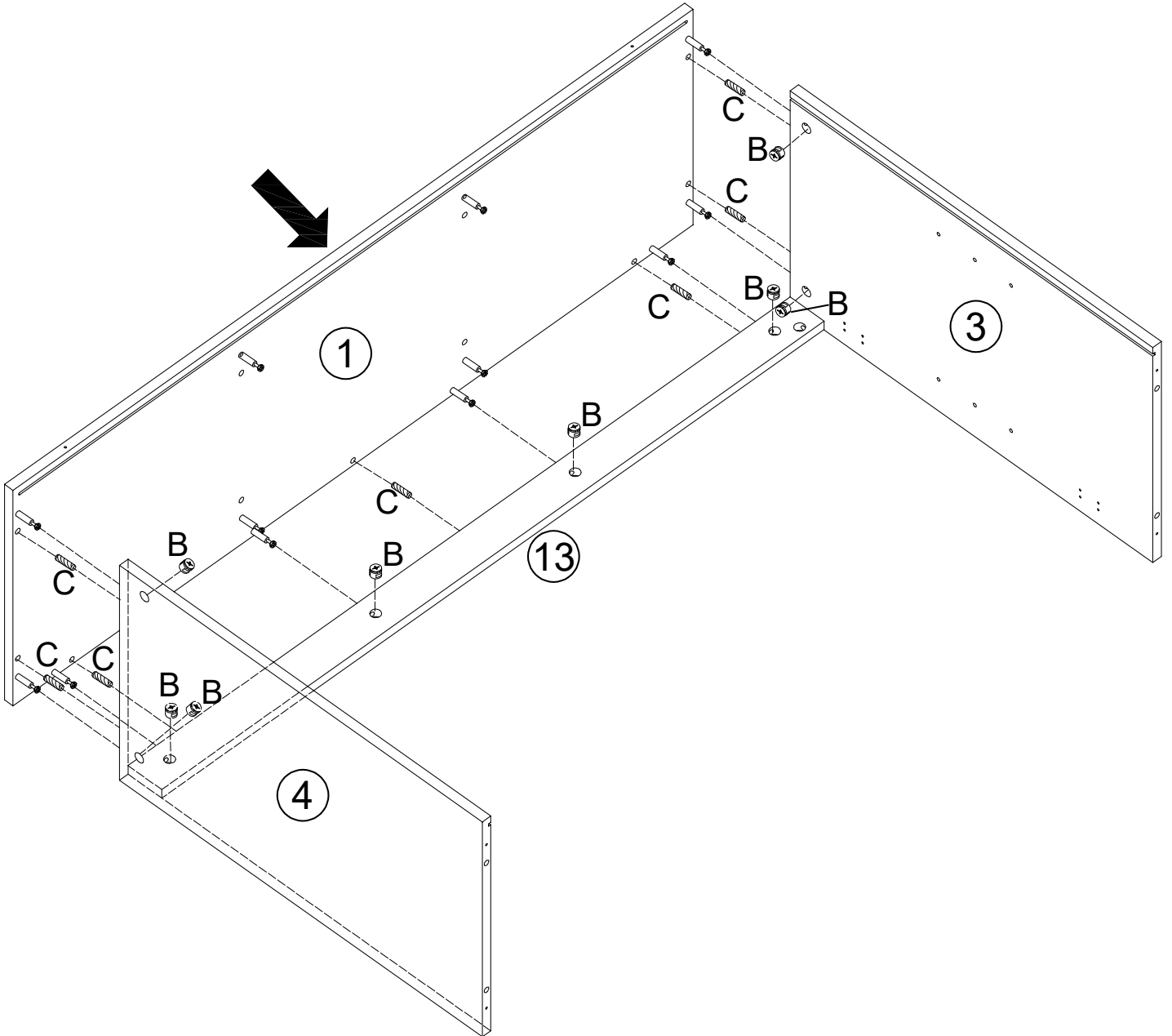
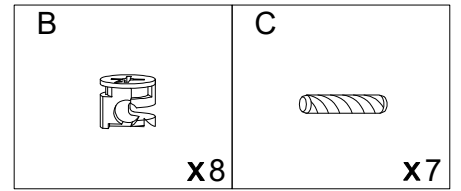
STEP 1



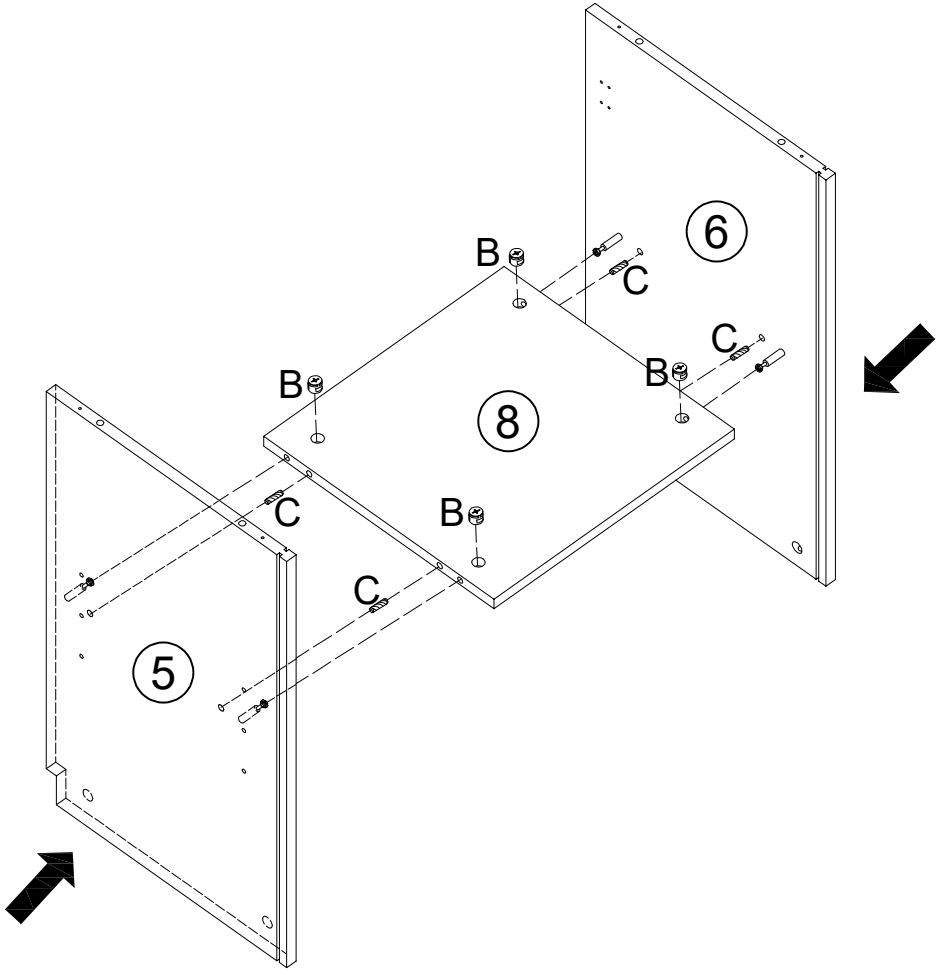
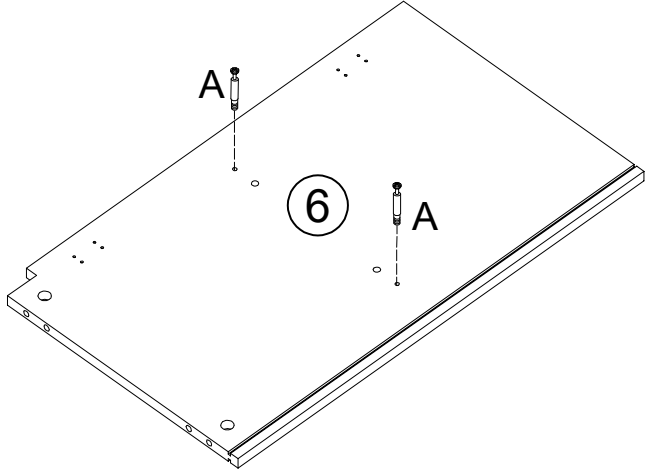
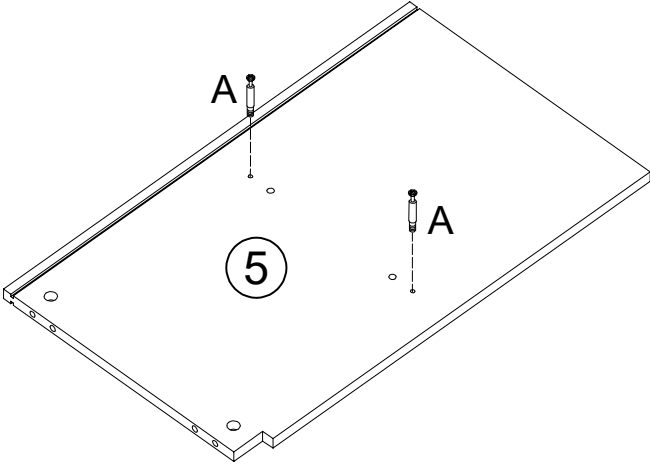
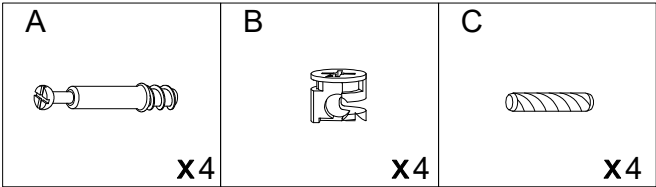
STEP 2



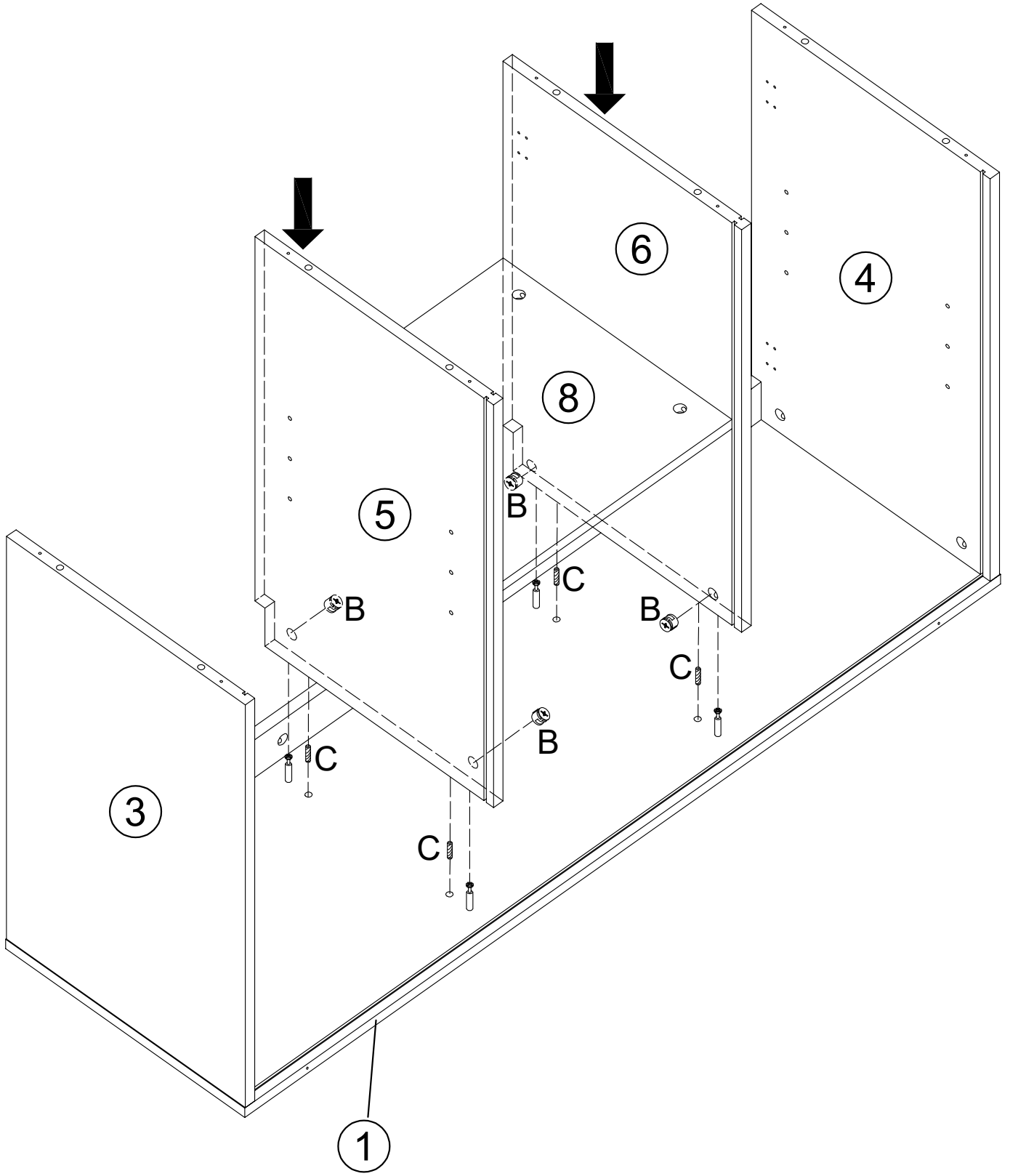
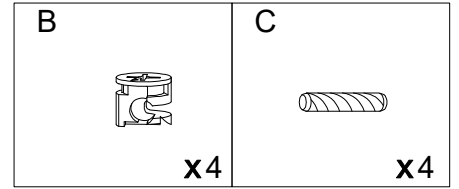
STEP 3



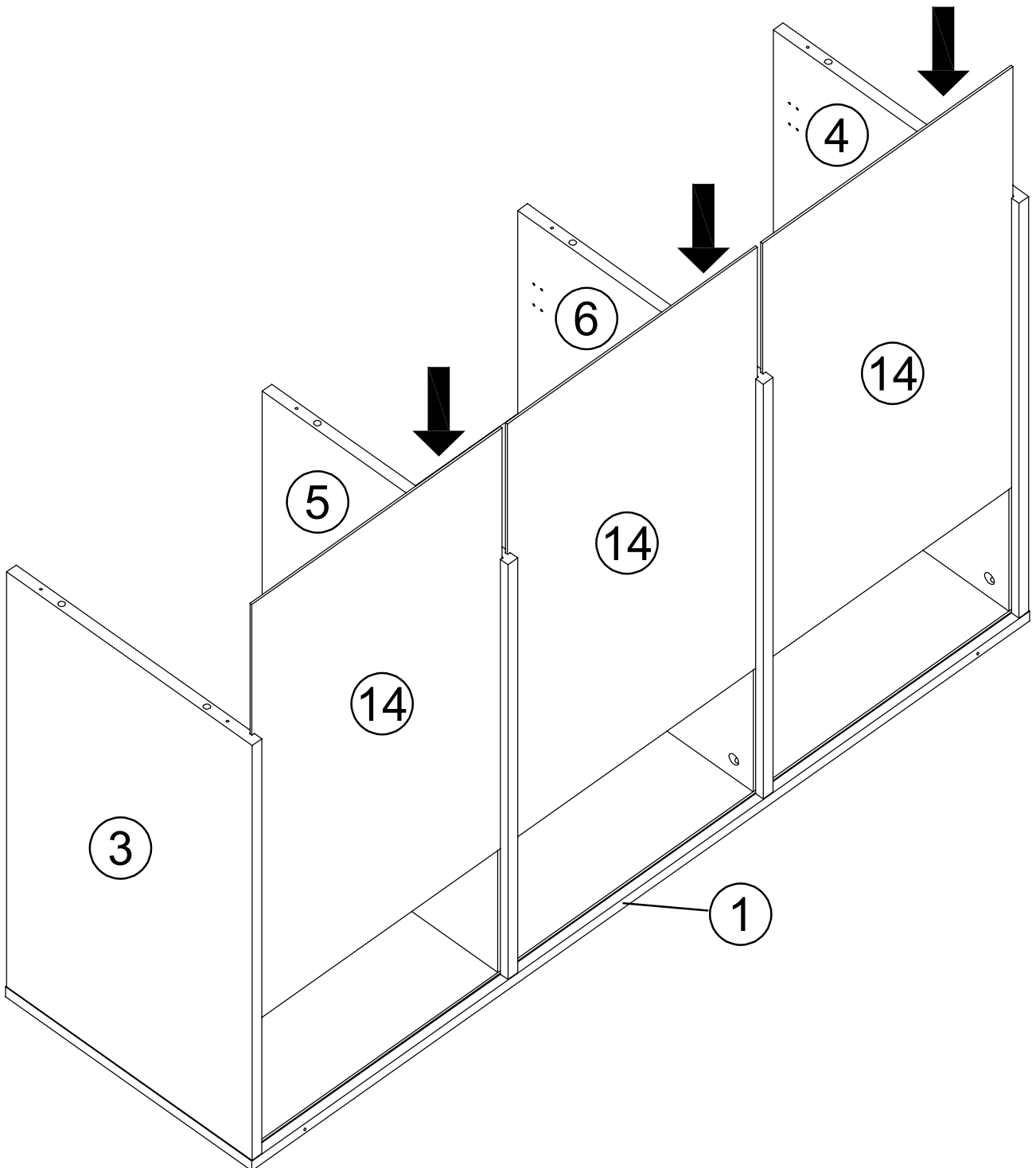
STEP 4



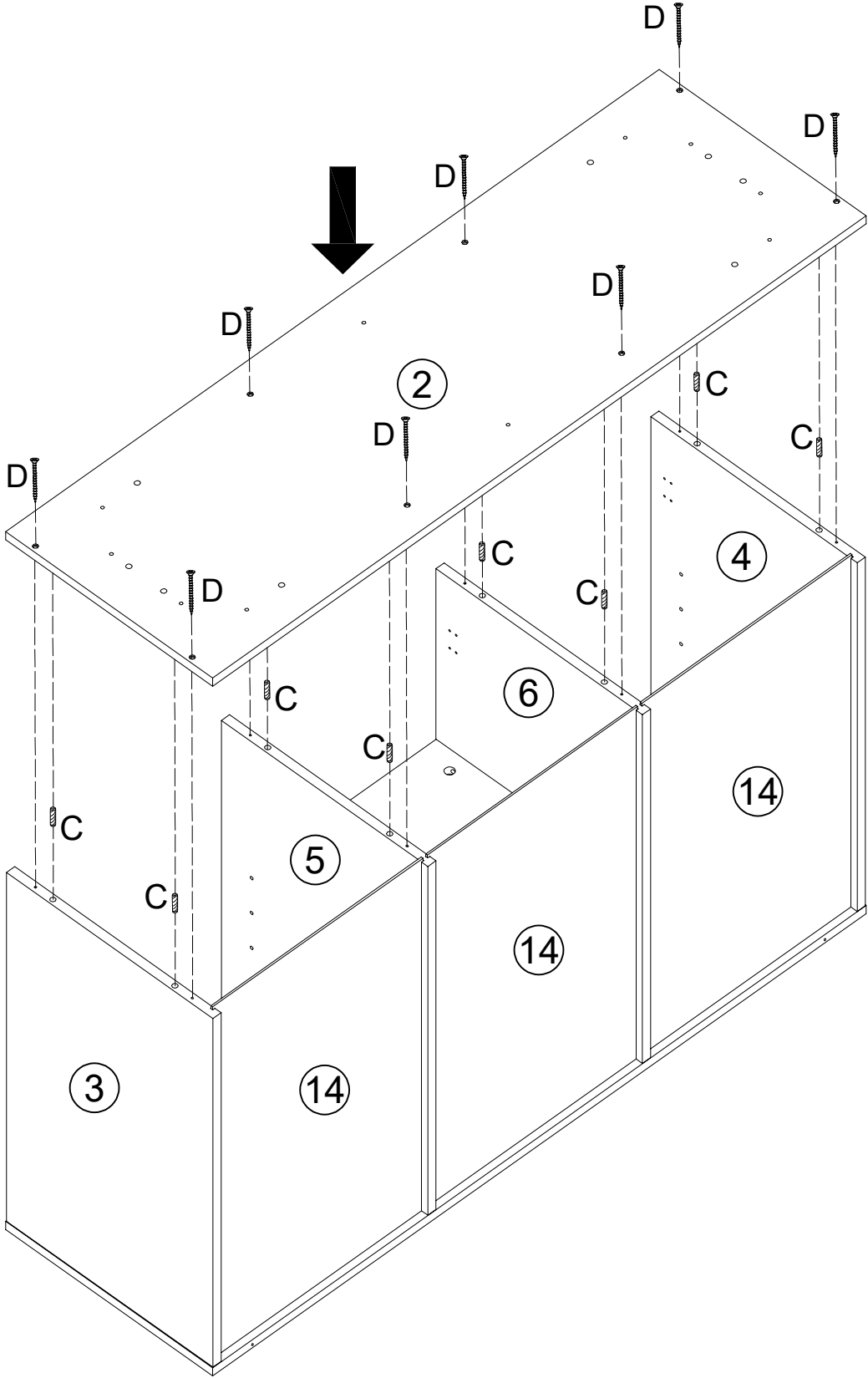
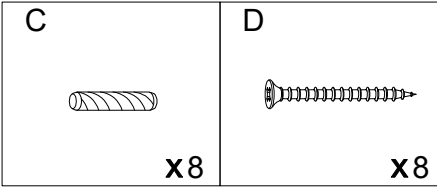
STEP 5



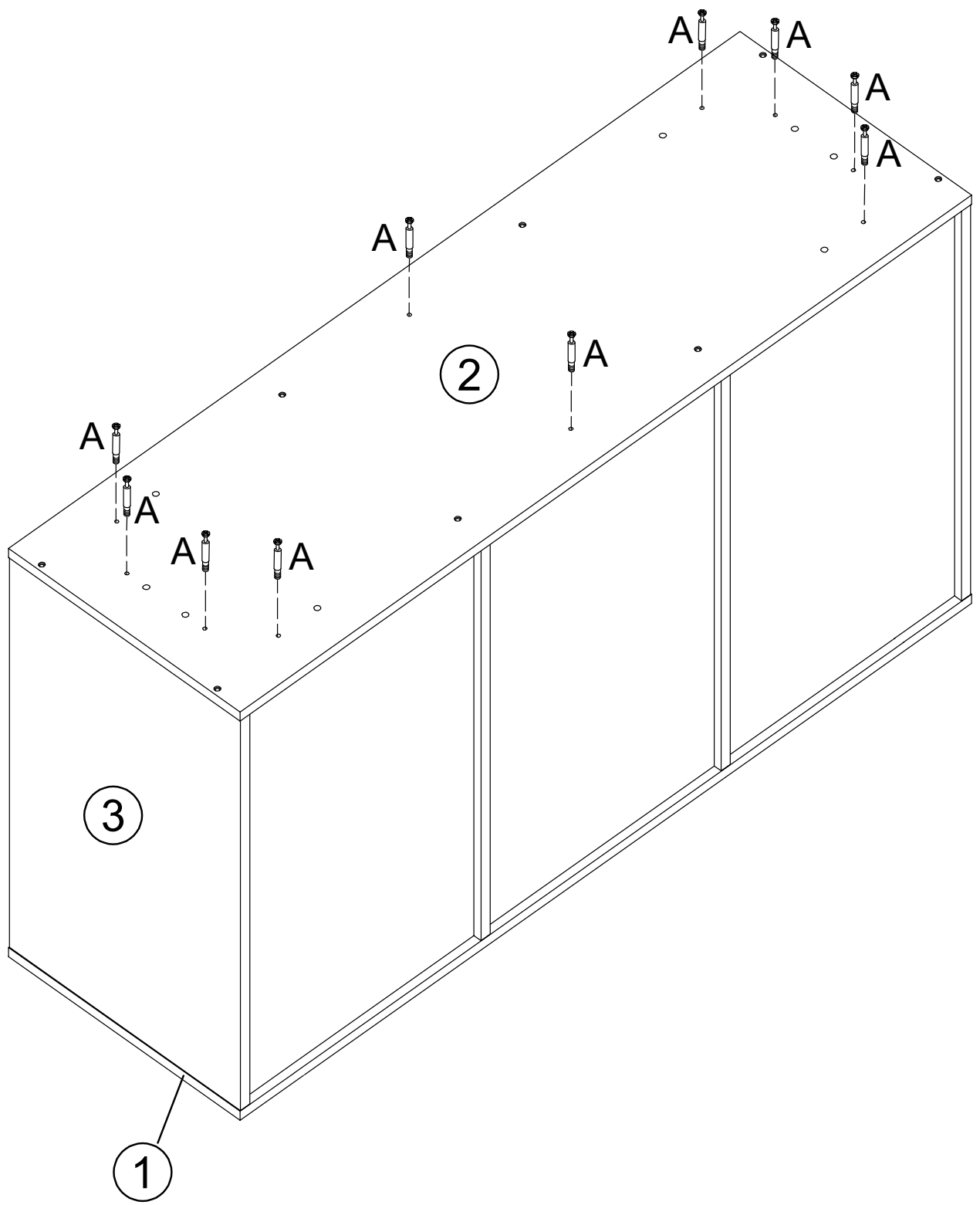
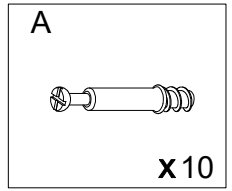
STEP 6



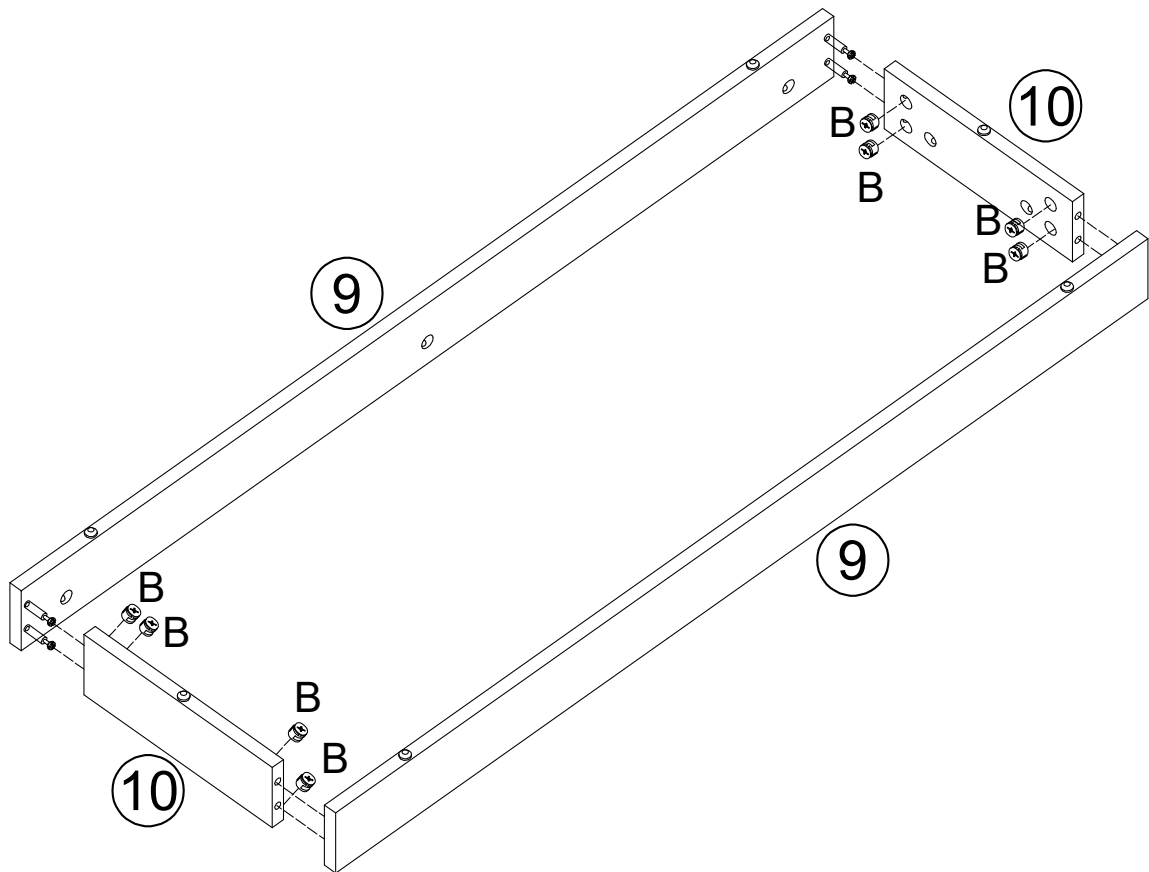
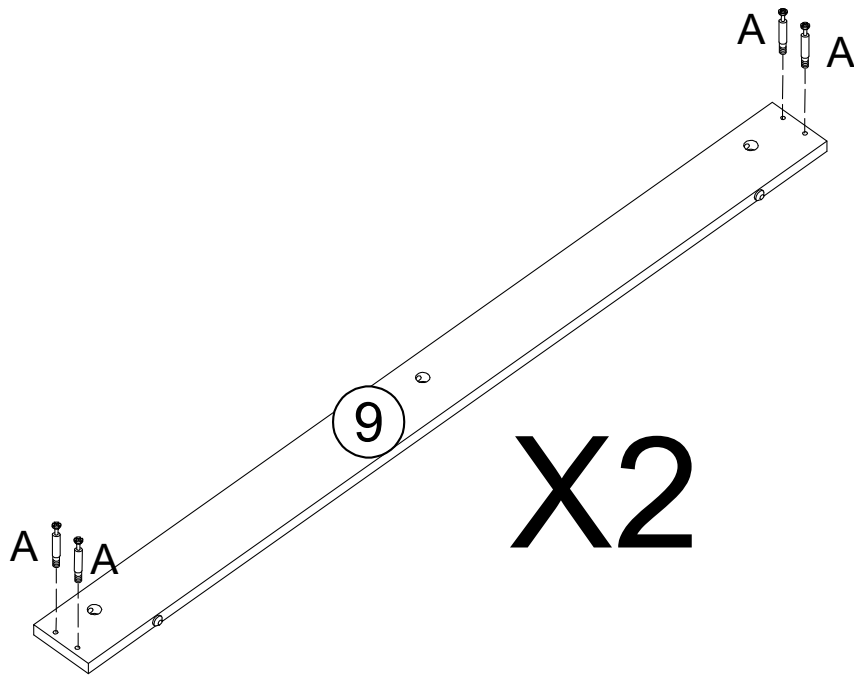
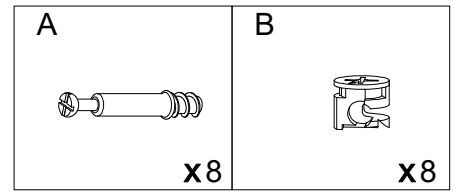
STEP 7



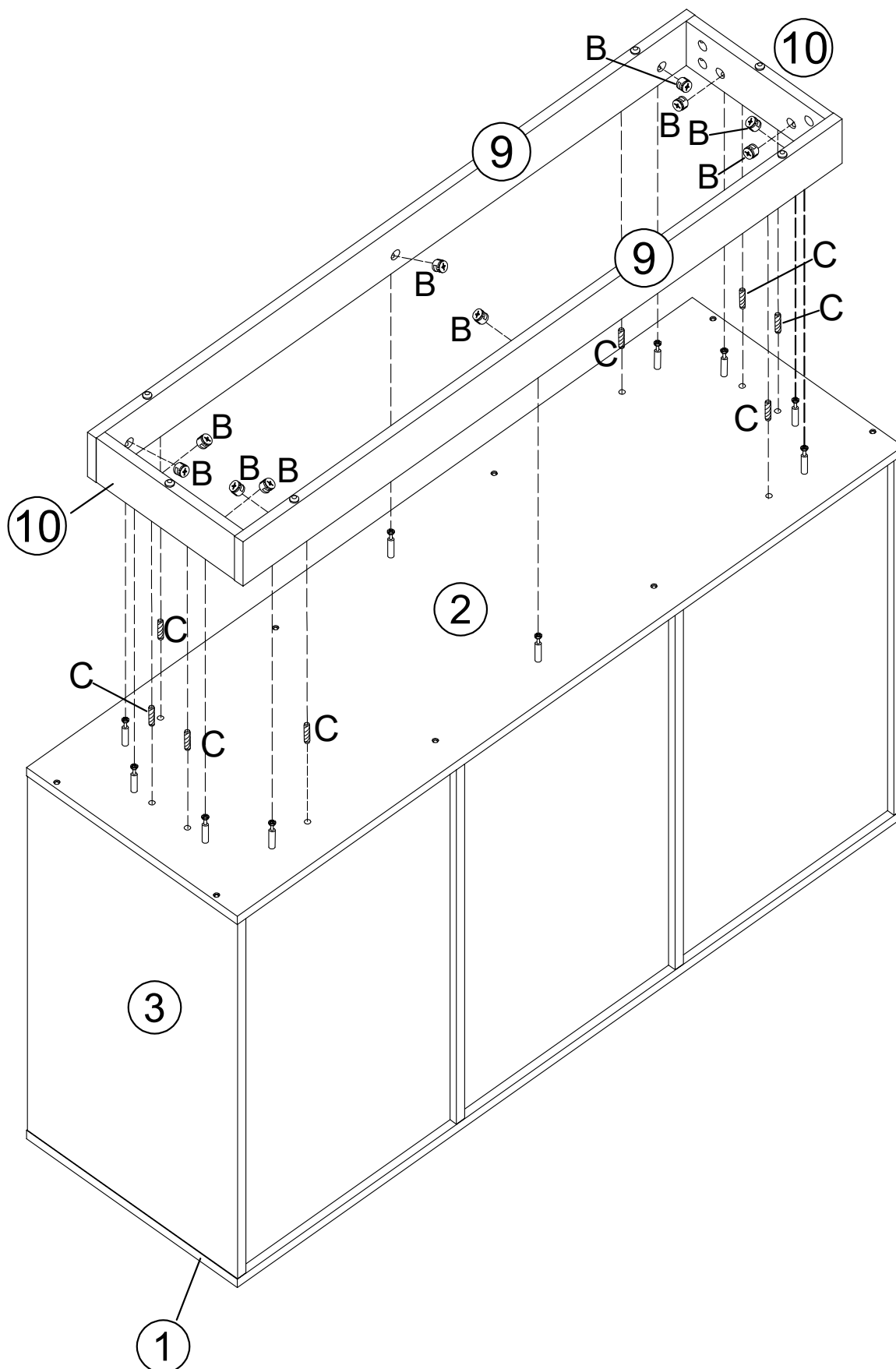
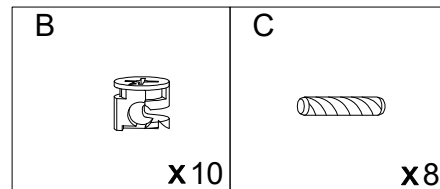
STEP 8



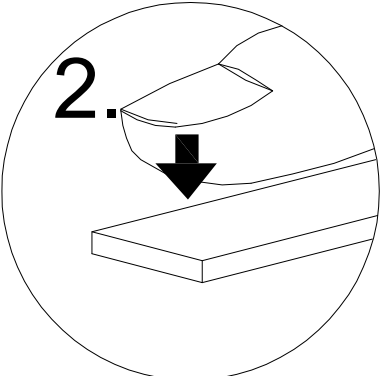
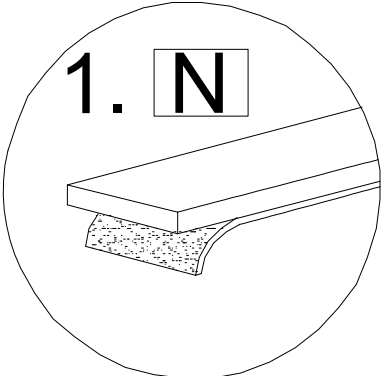
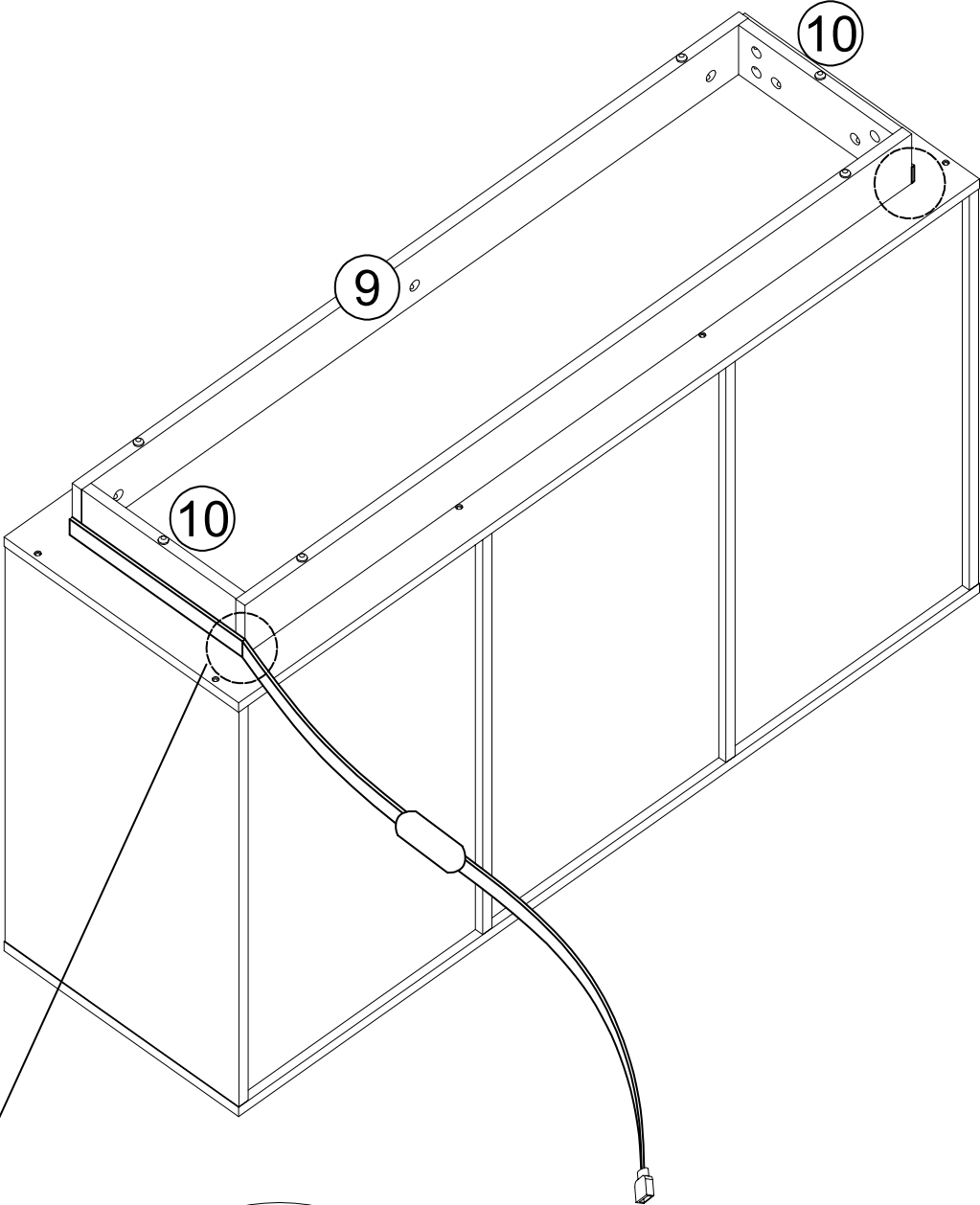
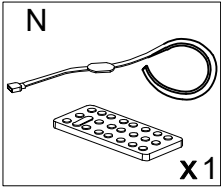
STEP 9








STEP 10

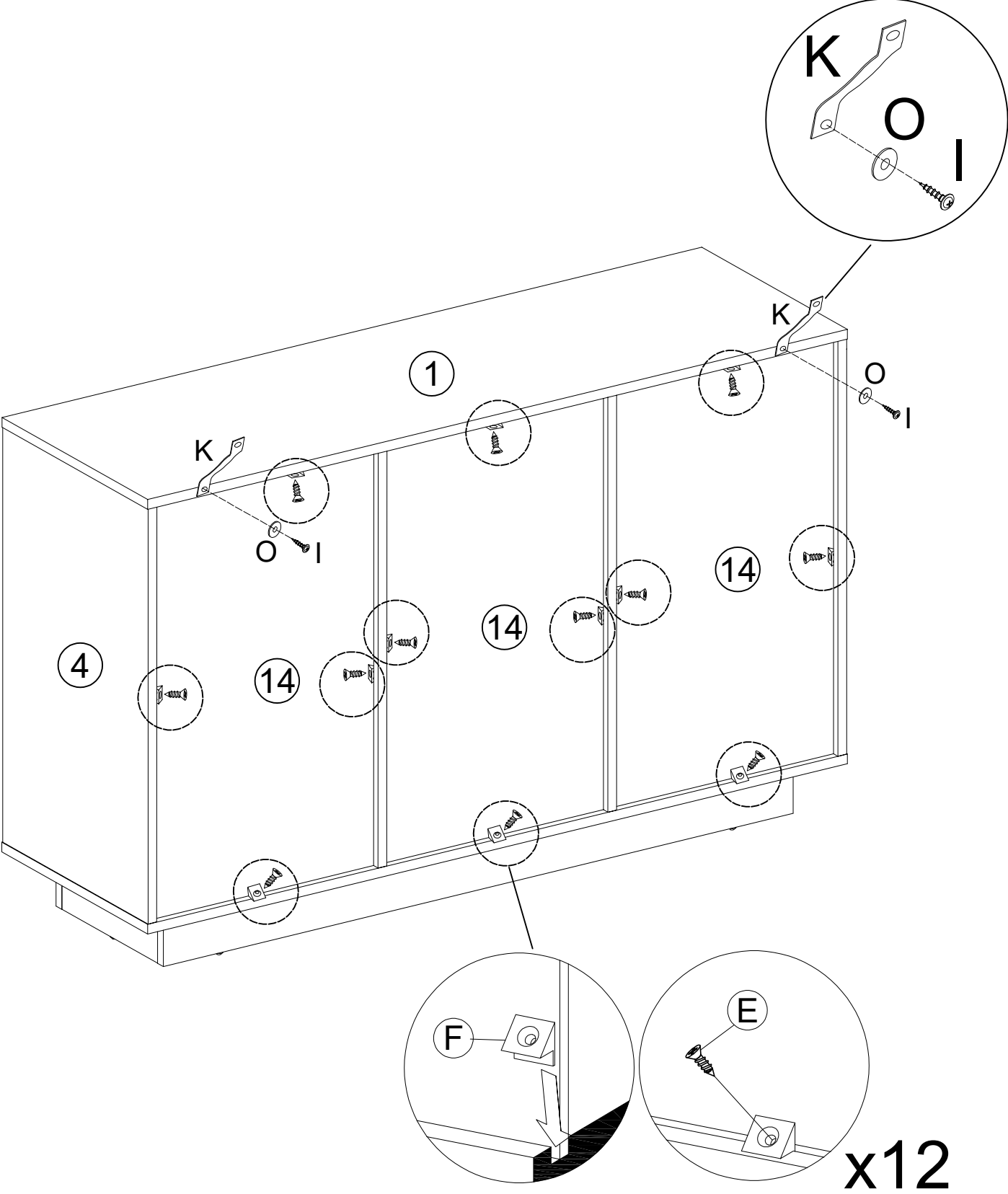


STEP 11

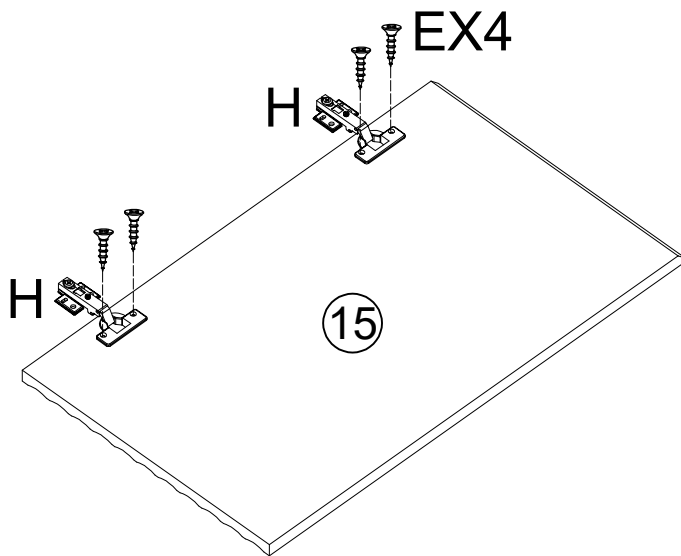
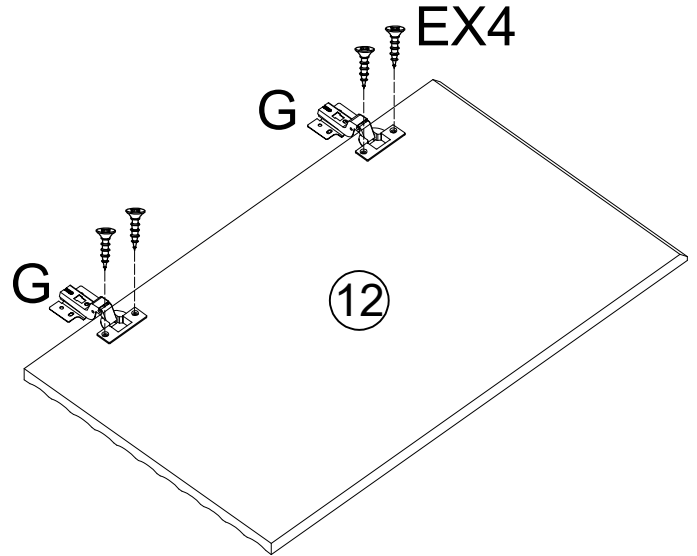
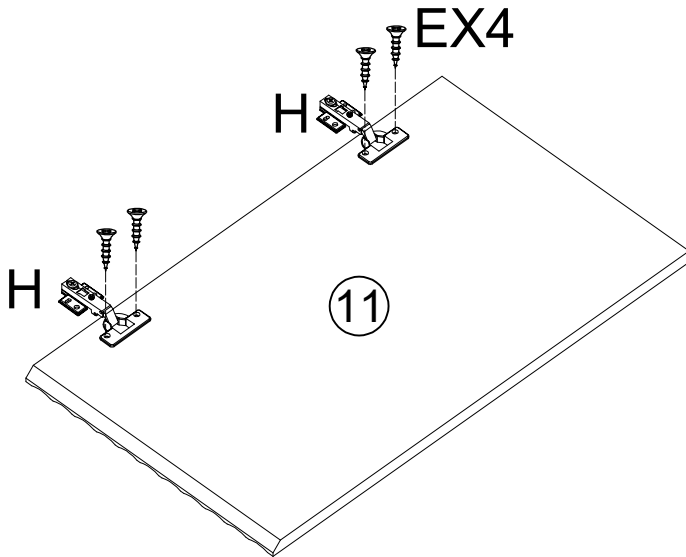
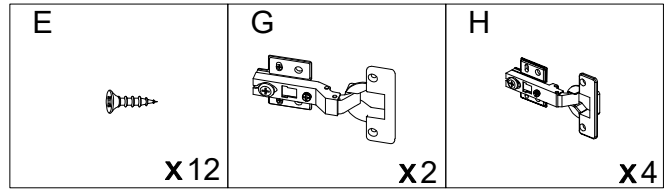


STEP 12

E  x12	F  x12	I  x2	K  x2	O  x2
---	---	---	--	--




STEP 13

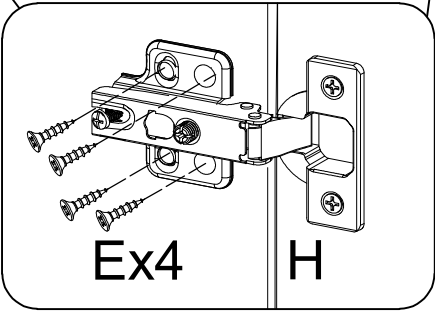
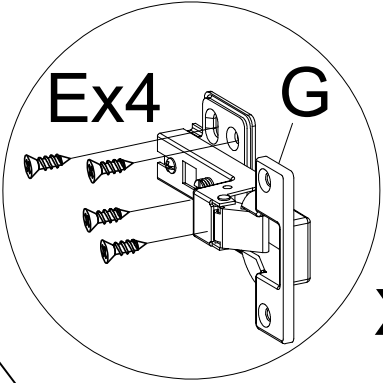
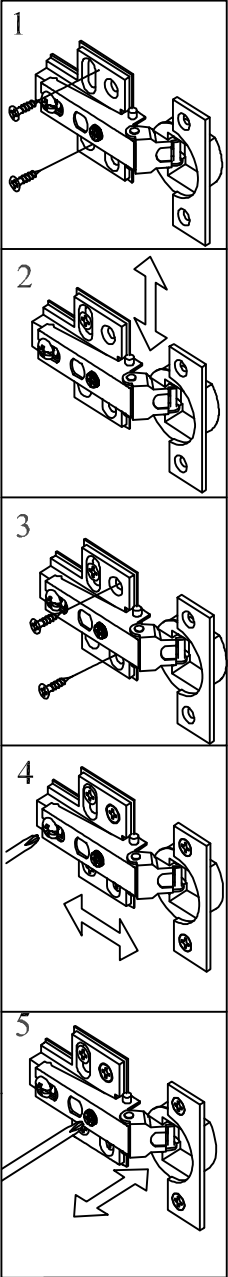
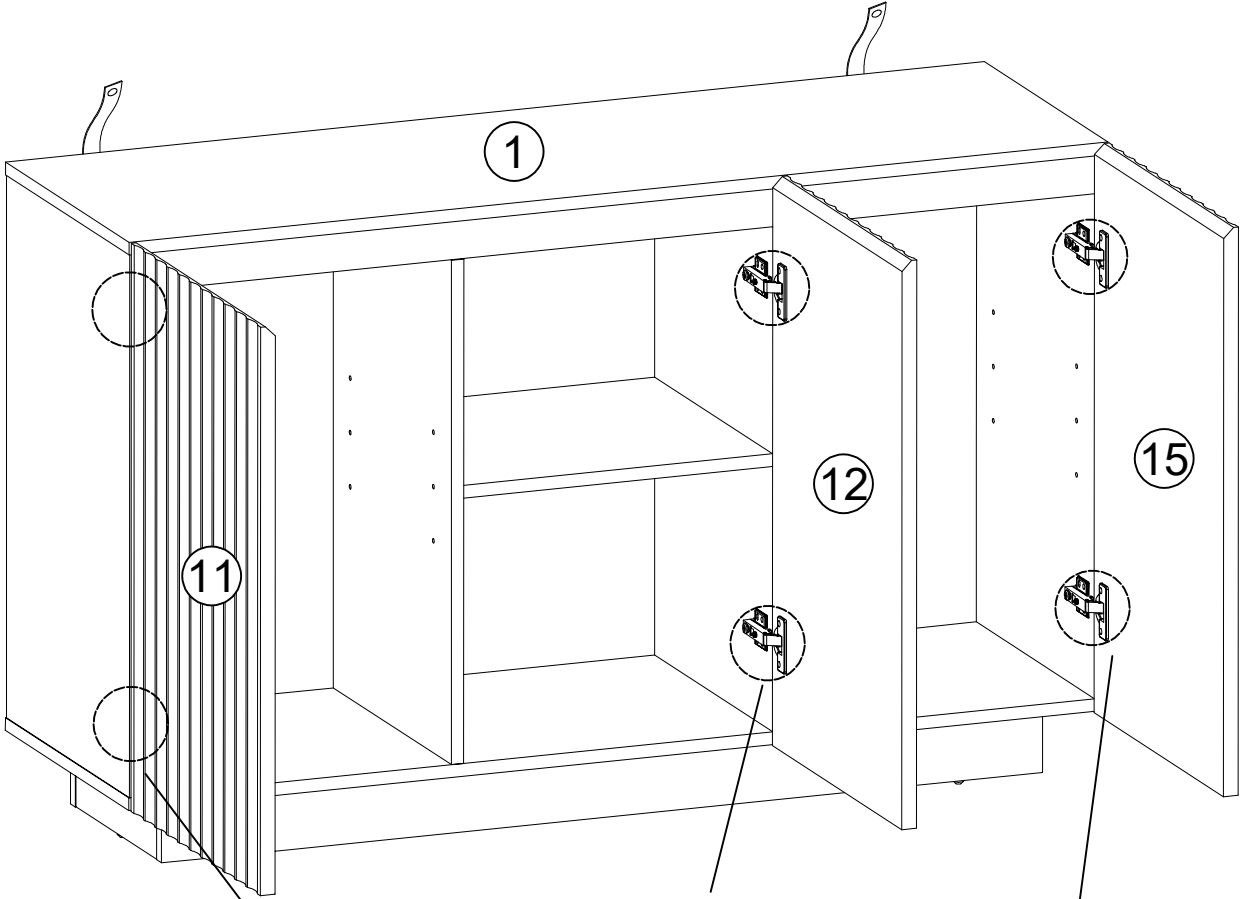


STEP 14

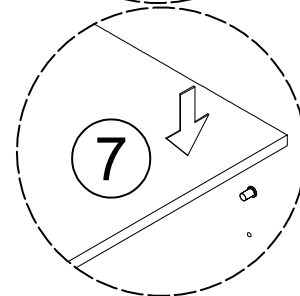
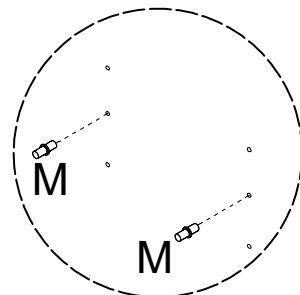
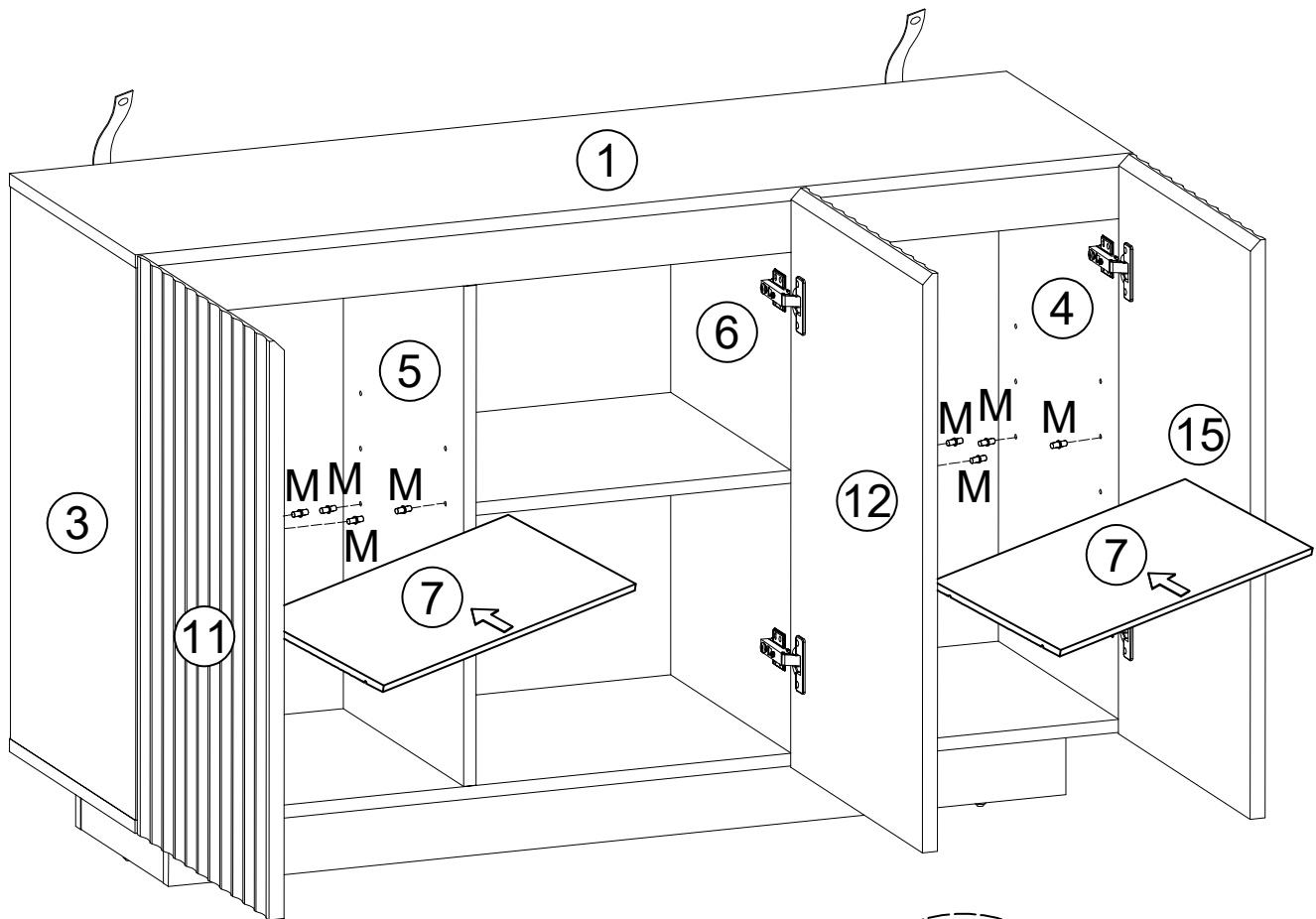
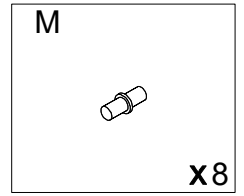
E



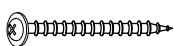
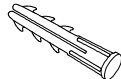
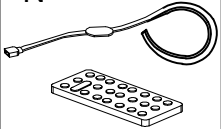

x24

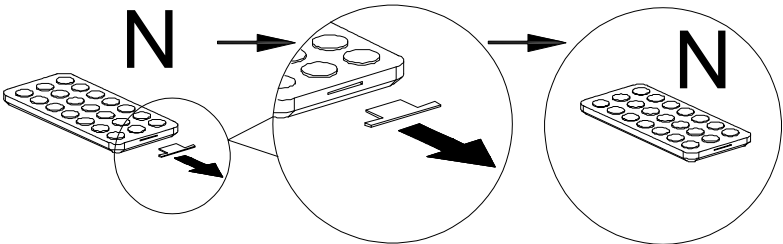
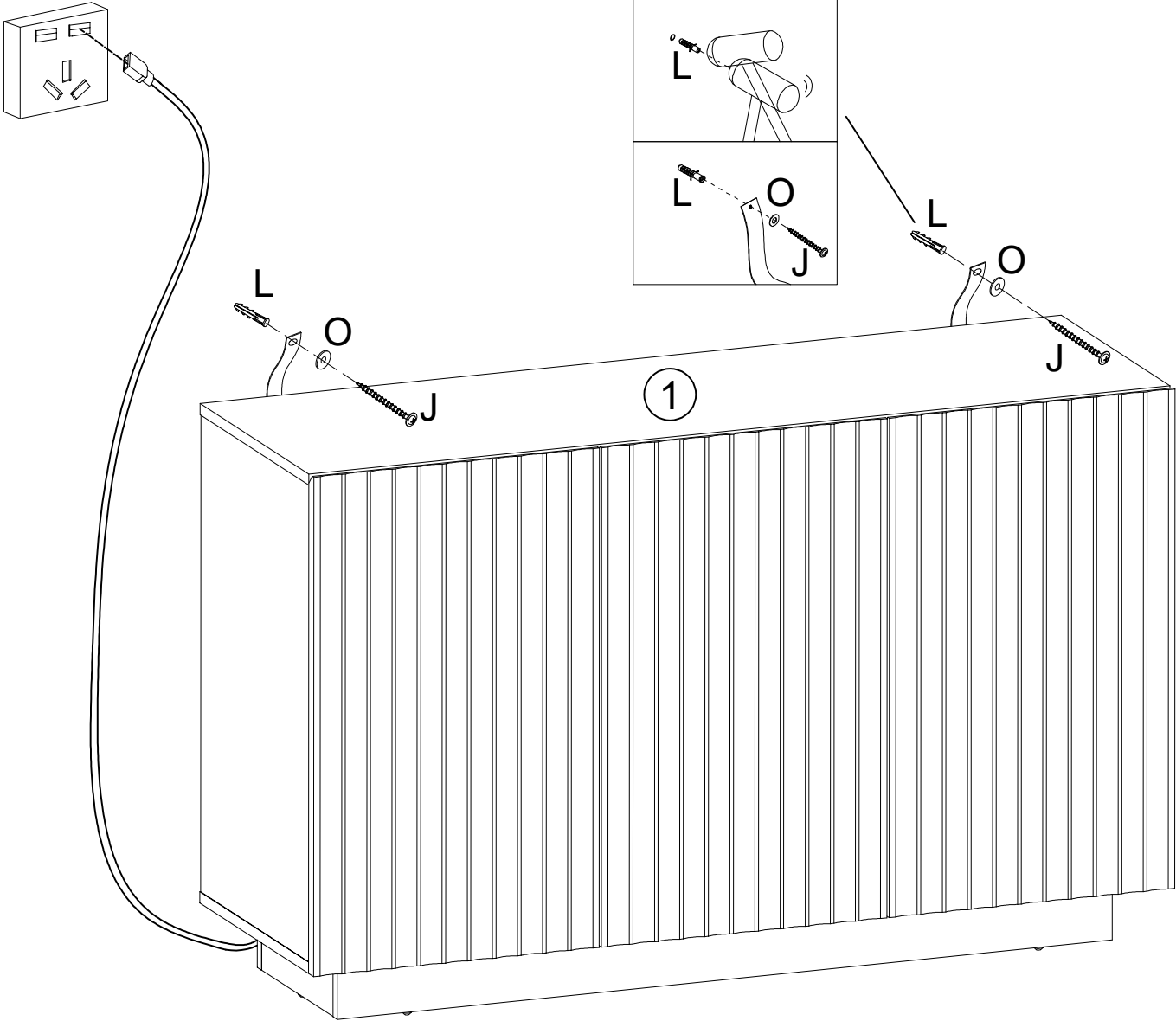


STEP 15



STEP 16

J  x2	L  x2	N  x1	O  x2
--	---	--	--



Proper Use

- DO NOT** use for commercial purposes
- DO NOT** use as a step stool or stand on table
- DO NOT** put hot serving liquid directly on the table top
- DO NOT** leave spilled liquid on the table top
- DO NOT** use table if damaged
- DO NOT** exceed weight limit
- DO NOT** make temporary repairs
- DO NOT** use outdoor

Dear Customer:

Thank you for purchasing our product,we wish you satisfy our service,if you have any further questions or any quality issues,please show the belows number and don't hesitate to contact our Customer Service People:

W2232202405