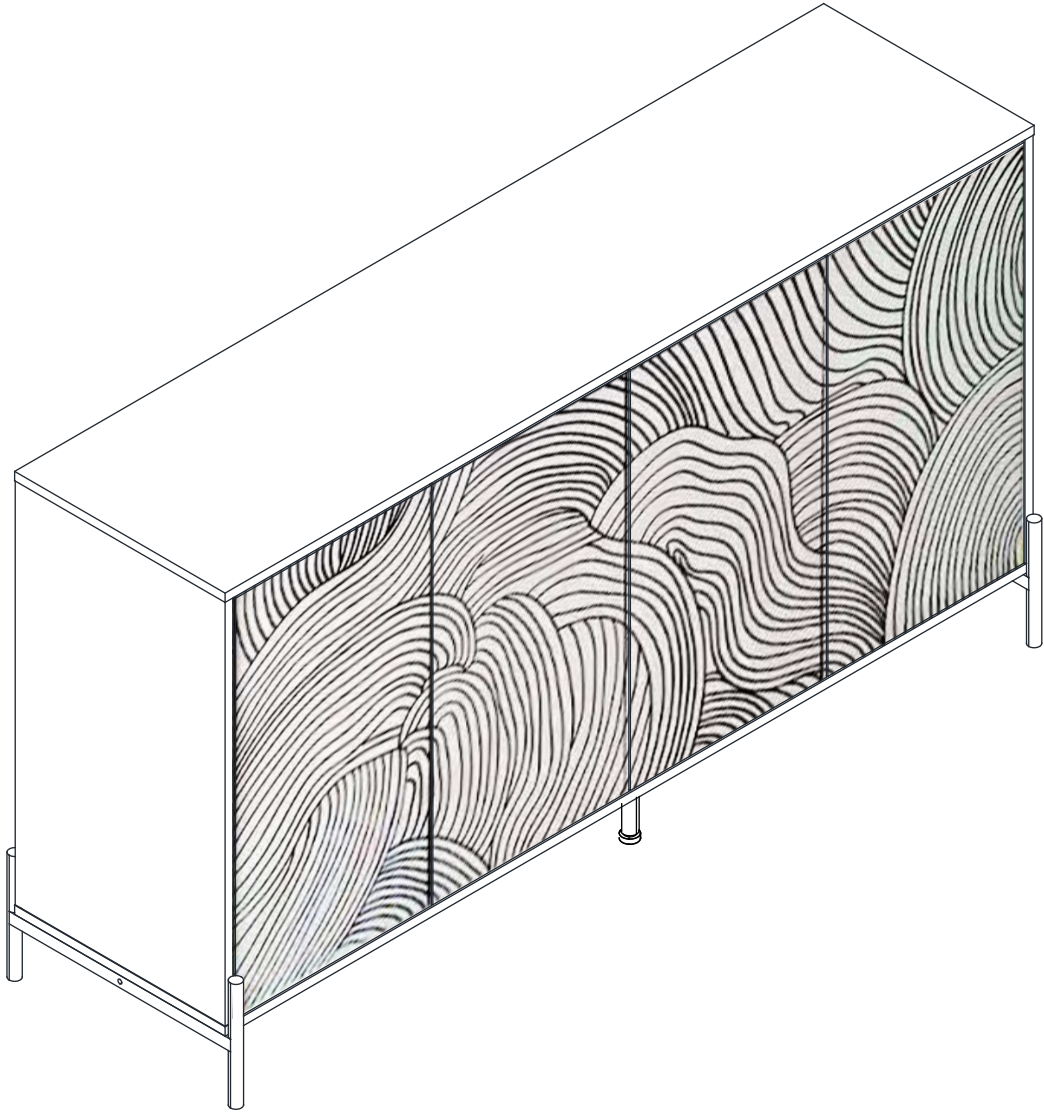


# Installation Instruction



Product name

---

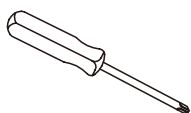
**4 Door Cabinet**

Ver.1.0 20240507

# Assembling

## What you need

- Use the packaging carton as a working surface to prevent product damage during assembly
- Phillips head screwdriver



## Weight Limitation



**30**  
lbs table top

**22**  
lbs per shelf

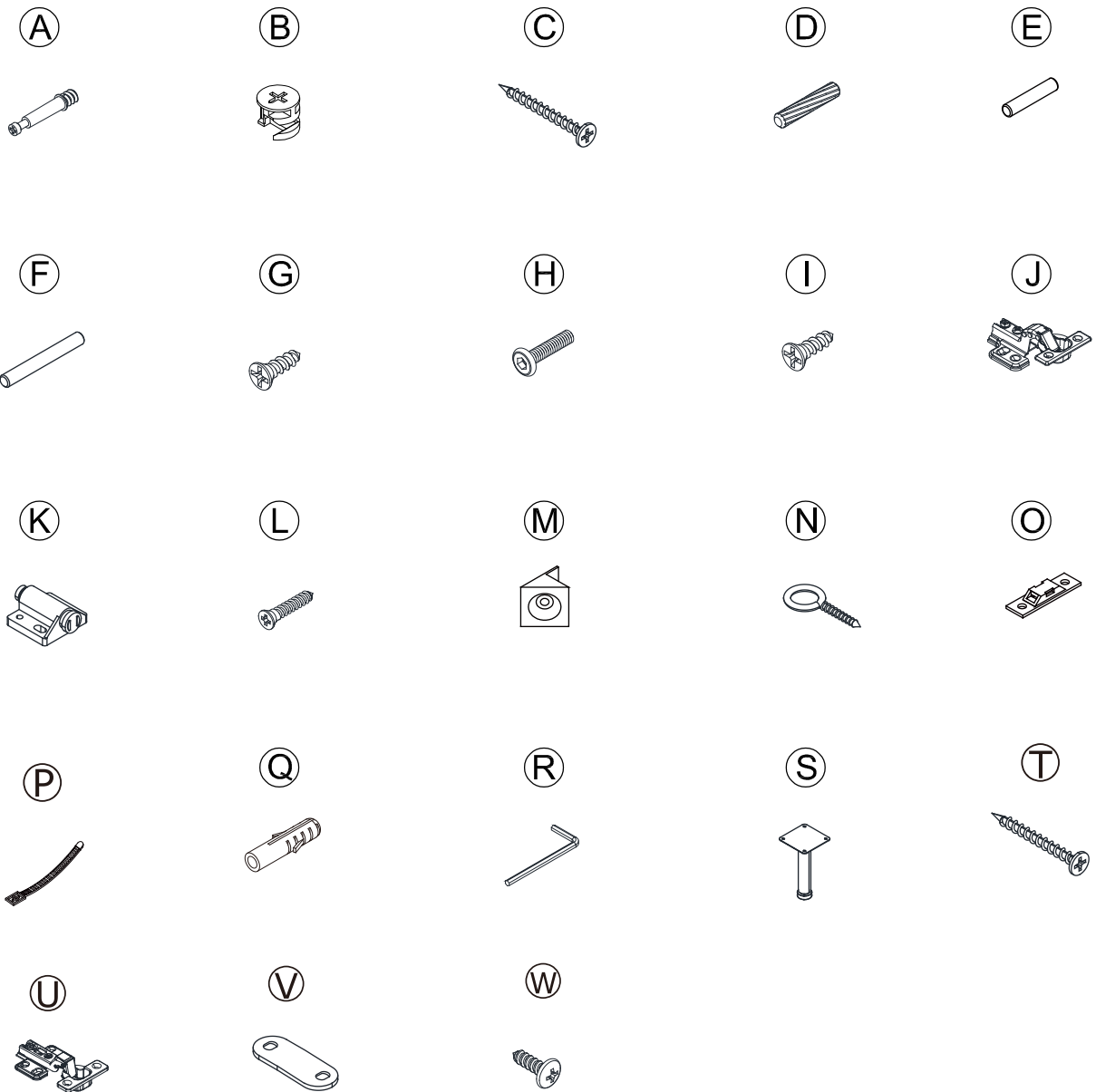


2 PERSONS

## What's included

Code	Description	Qty
A	Cam Bolt M6X35MM	16
B	Cam Lock 15X10MM	16
C	Screw M4X35MM	2
D	Wooden Dowel M8X30MM	12
E	Short Metal Support	4
F	Long Metal Support	2
G	Screw M3X12MM	8
H	Bolt M6X40MM	2
I	Screw M4X14MM	48
J	Hinge	4
K	Door Rebound Device	4
L	Screw M3X14MM	28
M	Plastic Corner Support	8
N	Ring Screw	2
O	Hook Buckle	2
P	Plastic Strip	2
Q	Anchor M6X30MM	2
R	Allen key	1
S	Middle Foot	1
T	Screw M4X30MM	7
U	Hinge	4
V	Metal plate	4
W	Screw M4X14MM	4

# The Hardwares



## IMPORTANT:

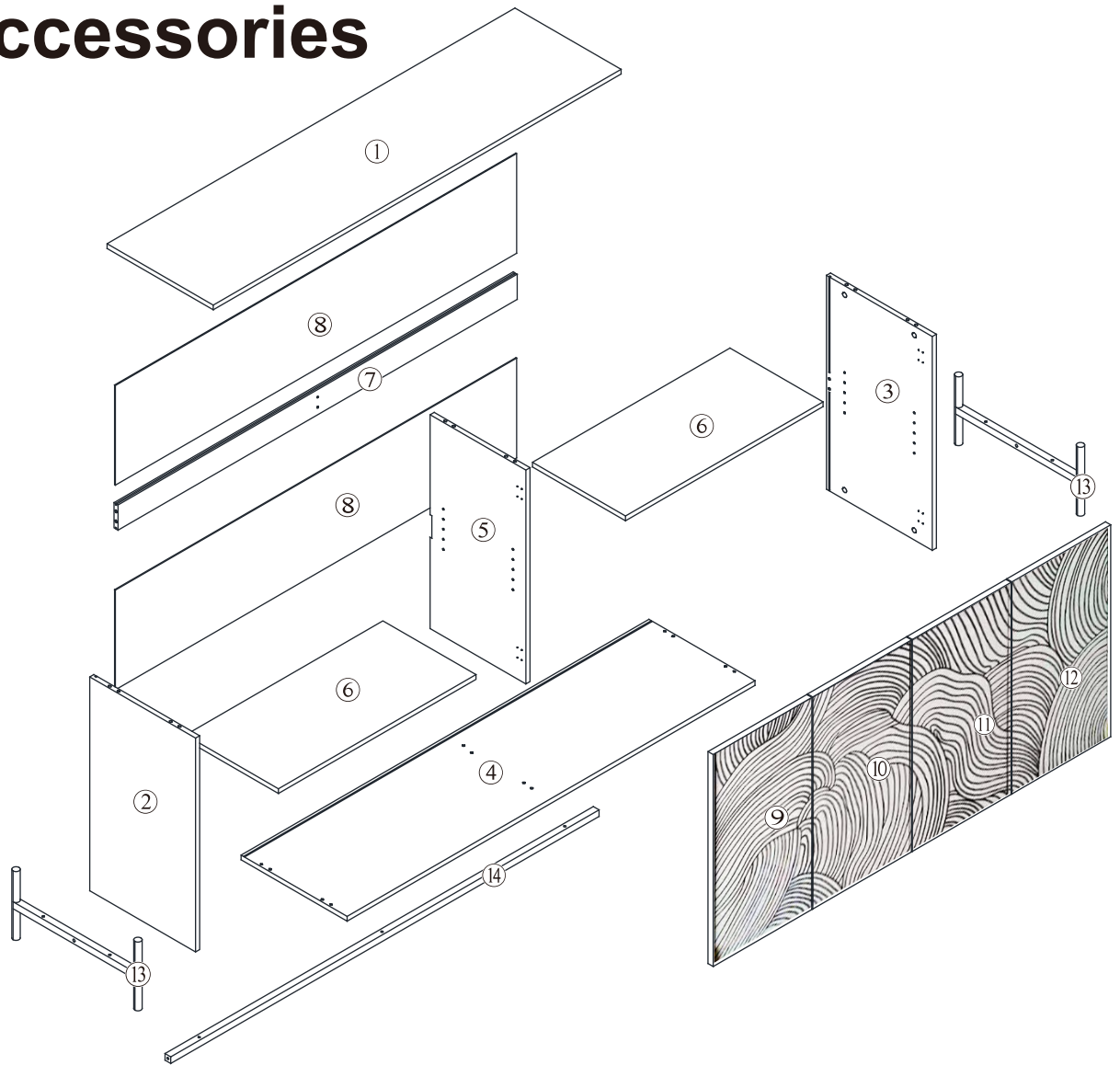
1. Do not tighten bolts / screws completely until all bolts / screws are lined up and inserted into holes.
2. Do not over tighten screws and bolts to avoid stripping.
3. Please use hand tools to assemble this product. Do not use power tools.
4. Must need 2 people to assemble this product.



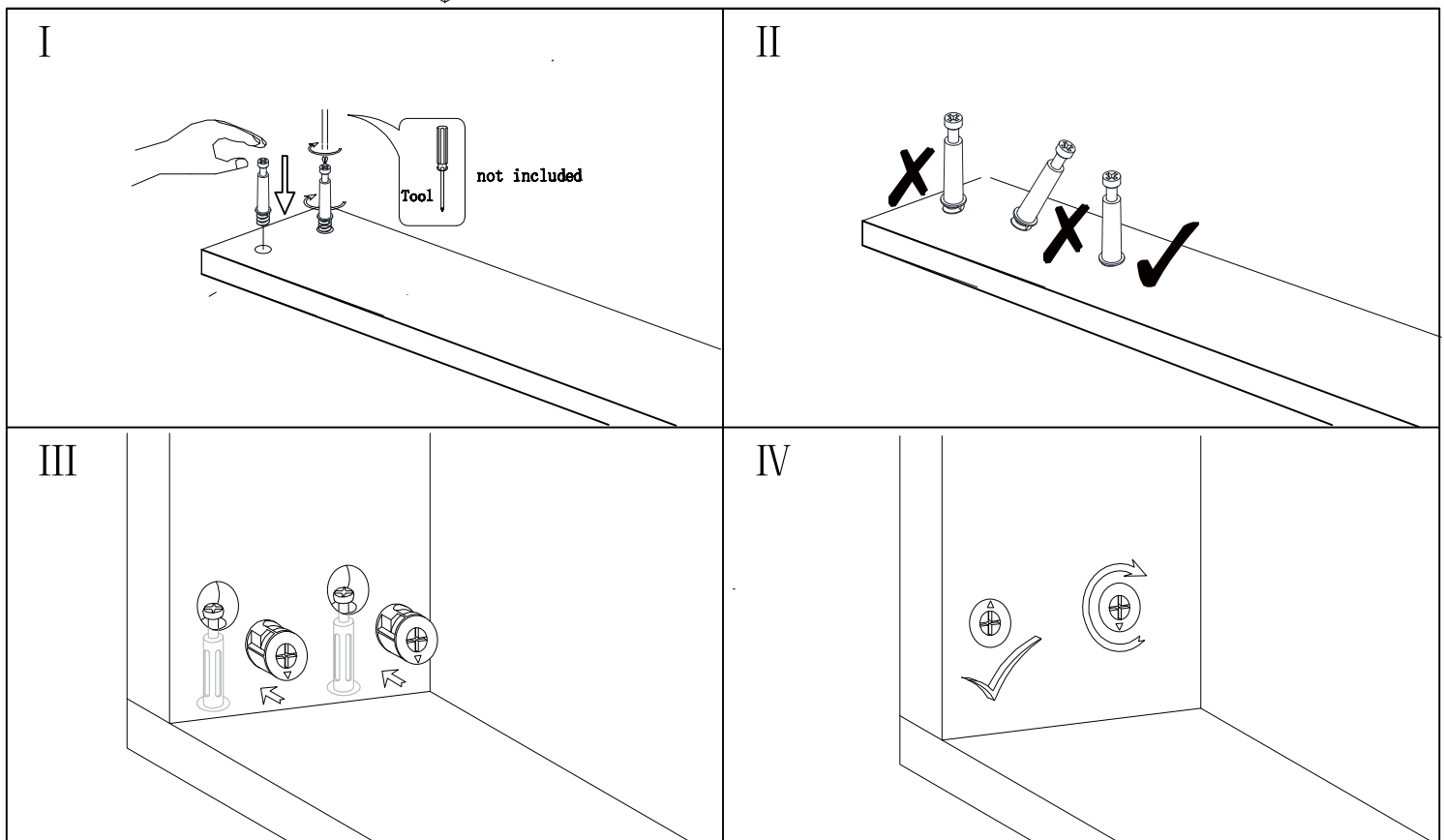
# Included Accessories

Code	Description	Qty
1	Cabinet Top	1
2	Left Side Panel	1
3	Right Side Panel	1
4	Bottom Panel	1
5	Middle Division Panel	1
6	Shelf	2
7	Back Stretcher	1
8	Back Panel	2
9	Door	1
10	Door	1
11	Door	1
12	Door	1
13	Metal Side Frame	2
14	Metal Stretcher	1

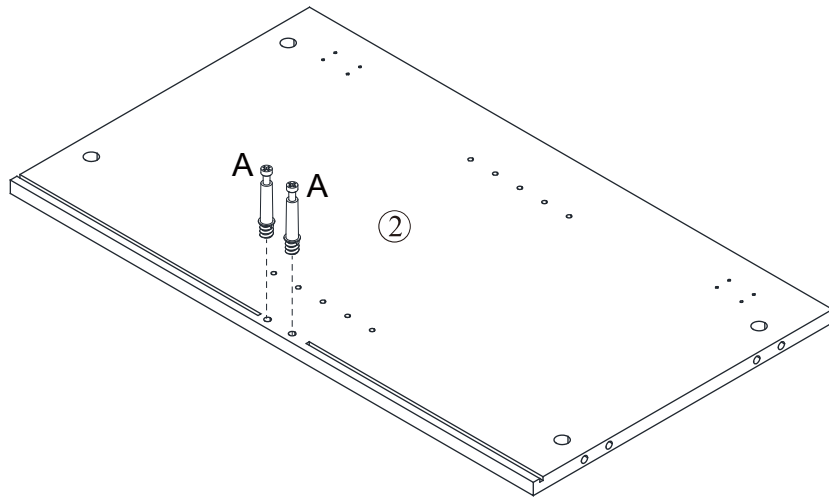
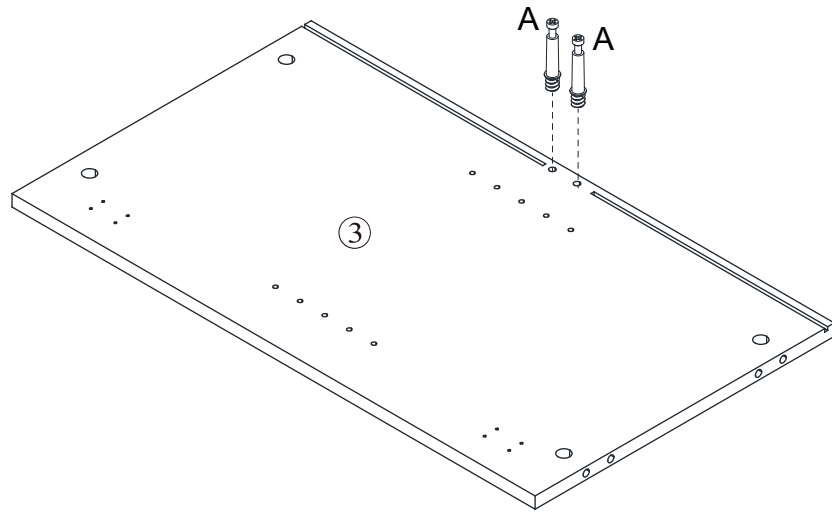
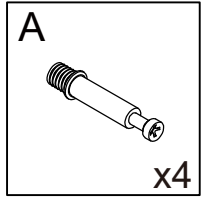
# The Accessories



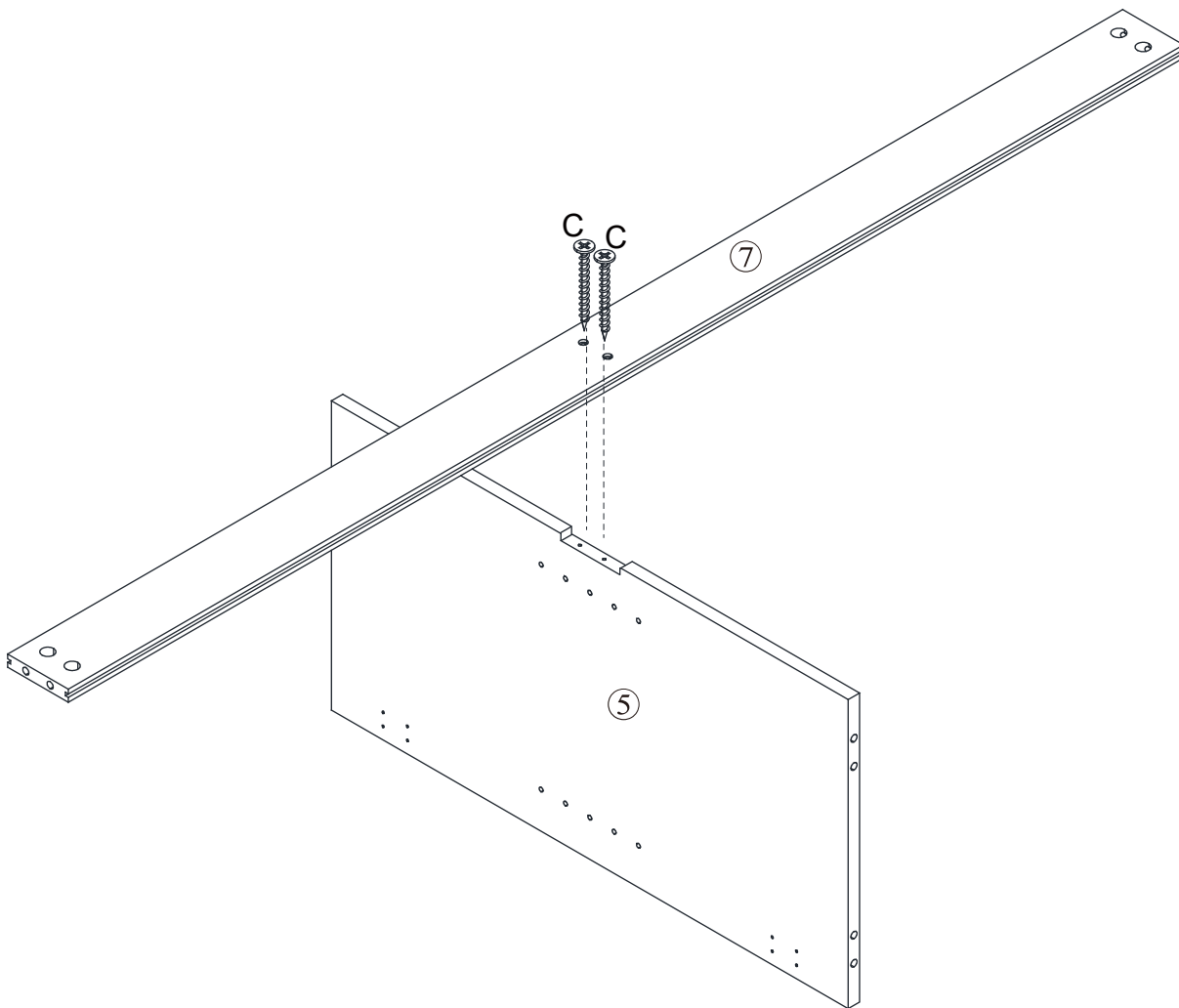
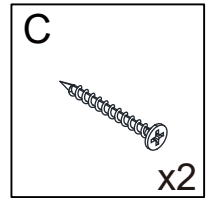
Noted :



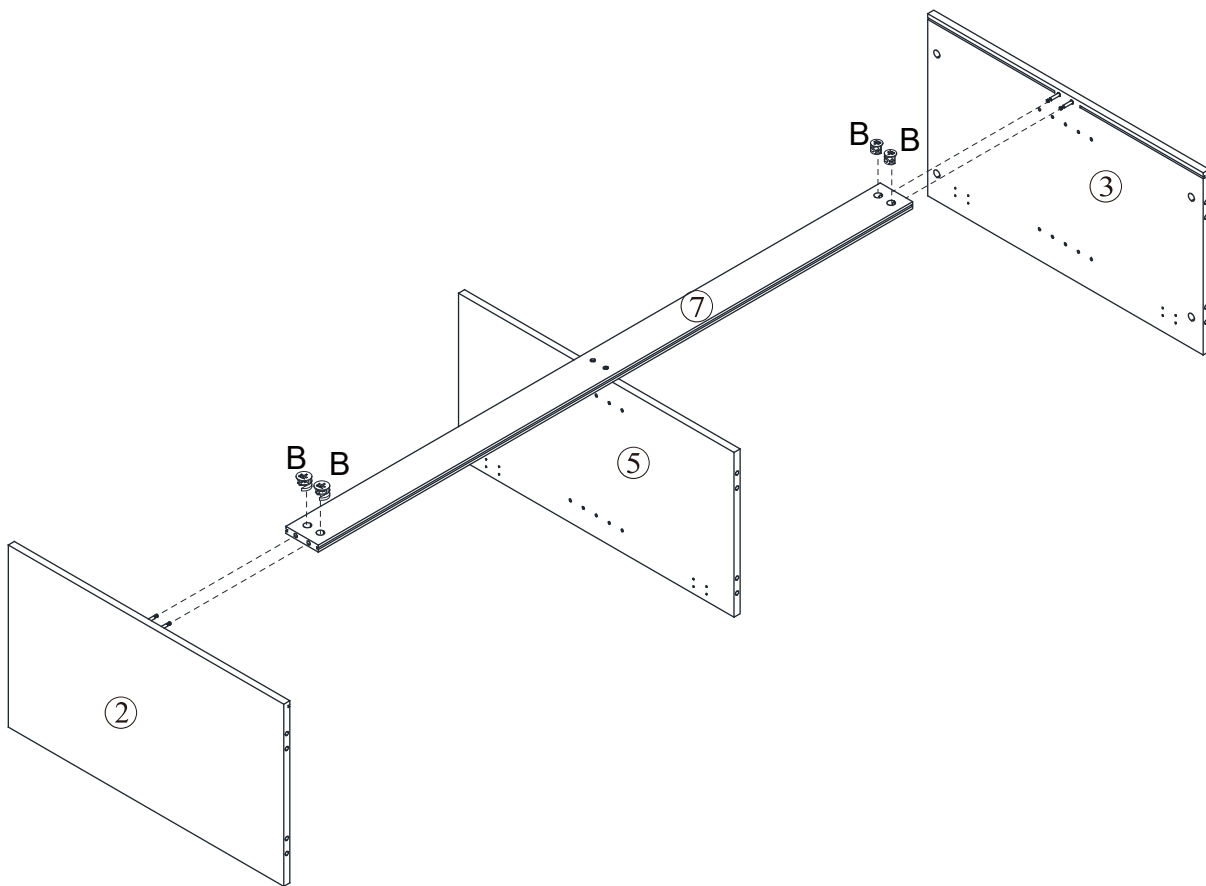
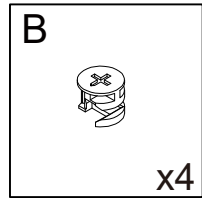
# STEP 1



# STEP 2

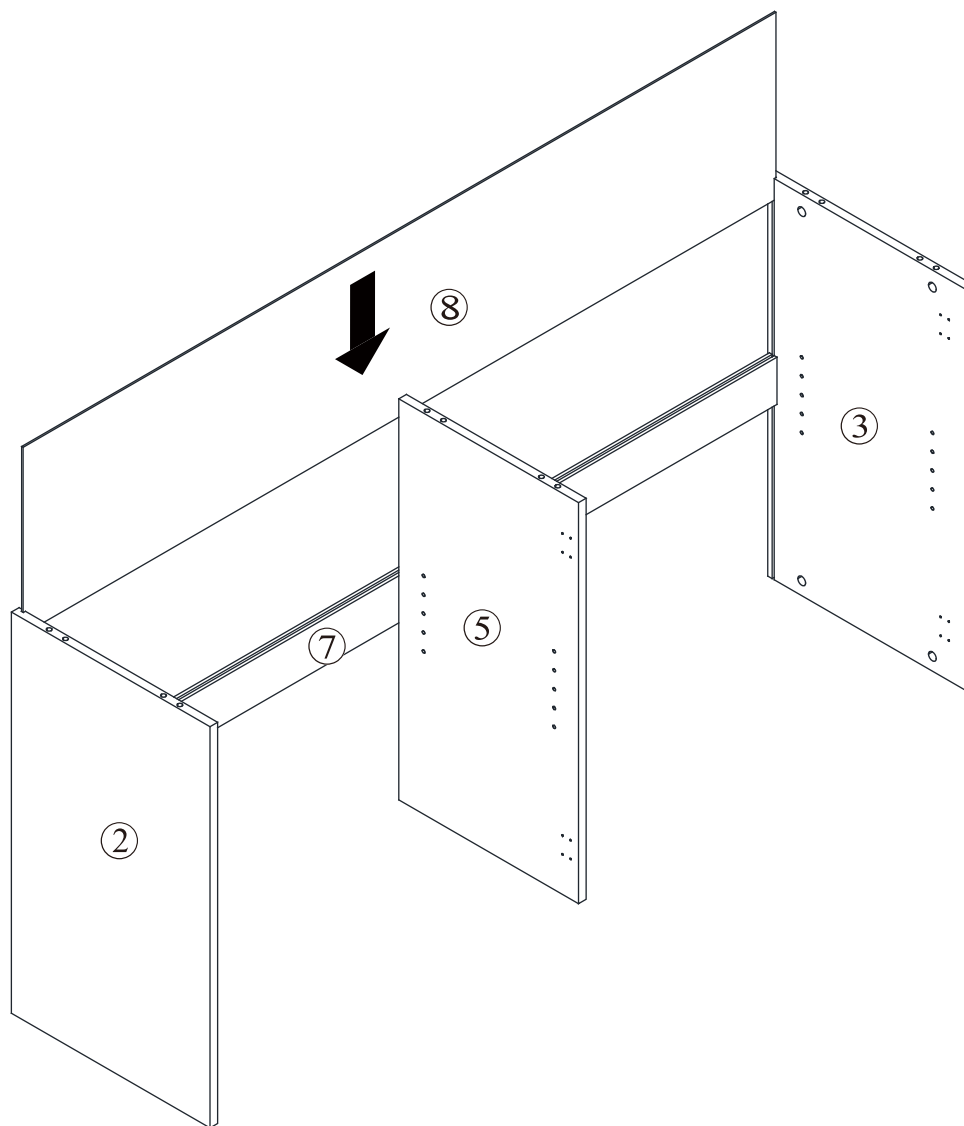


# STEP 3

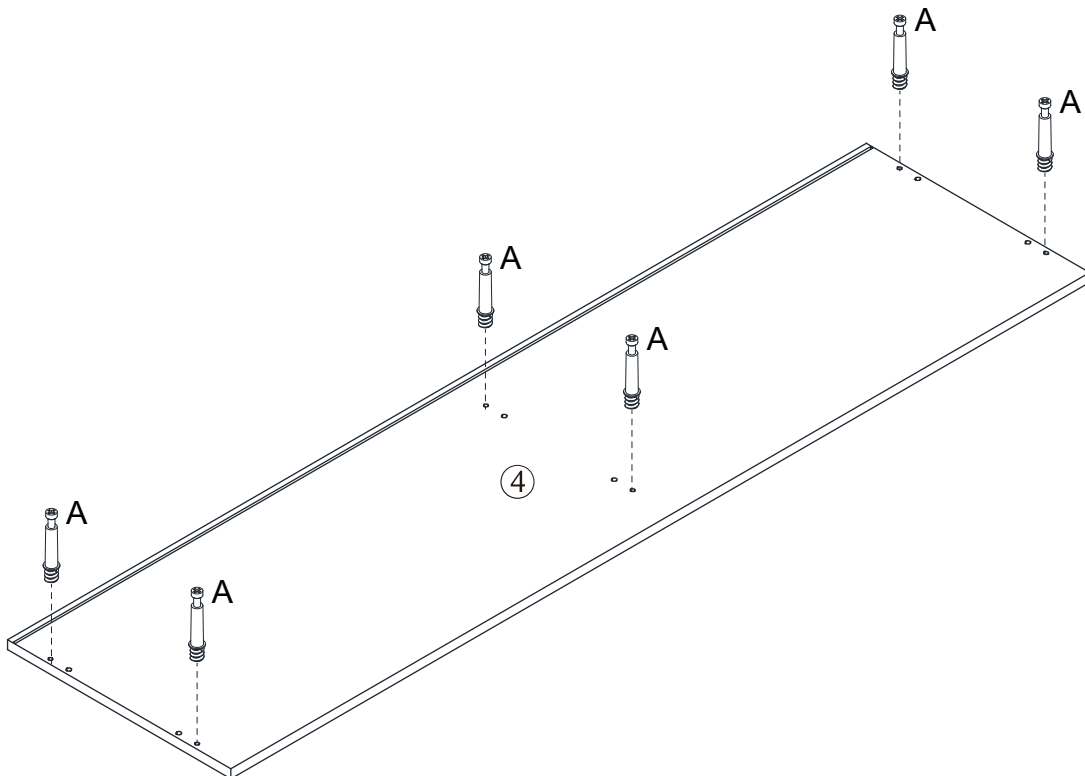
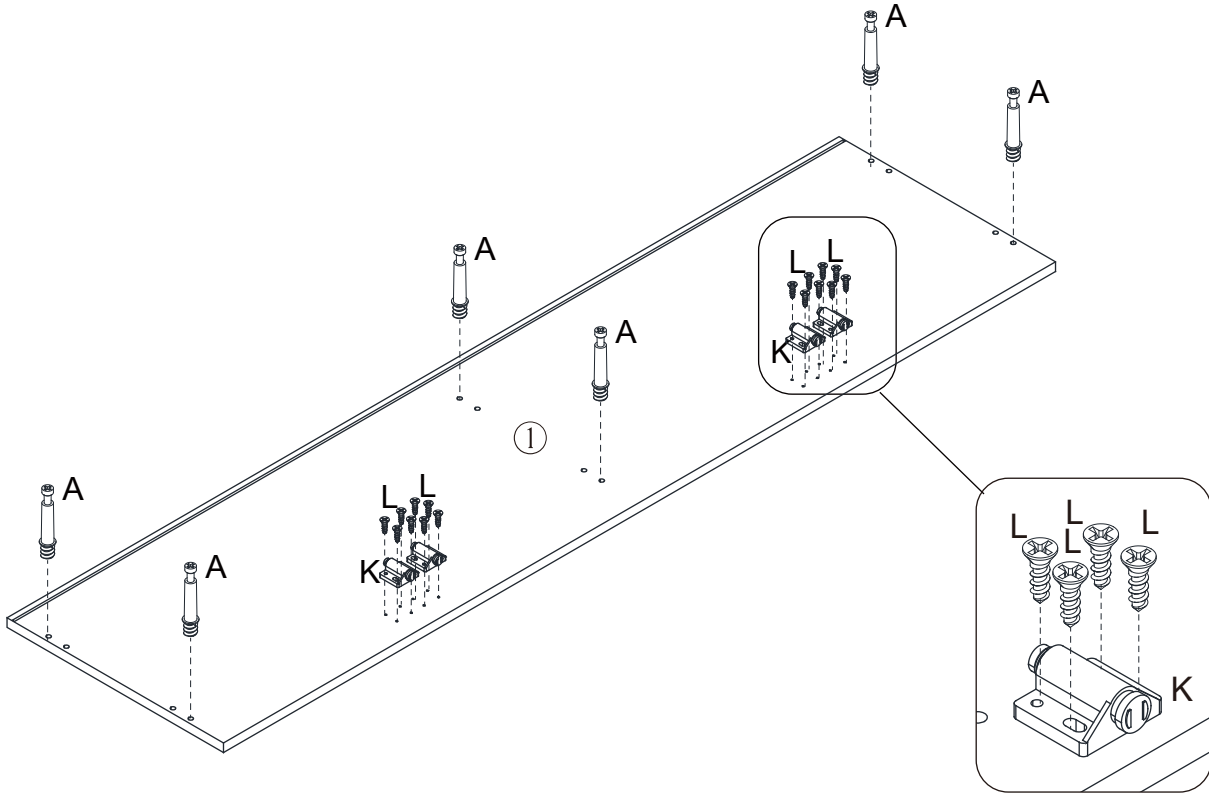
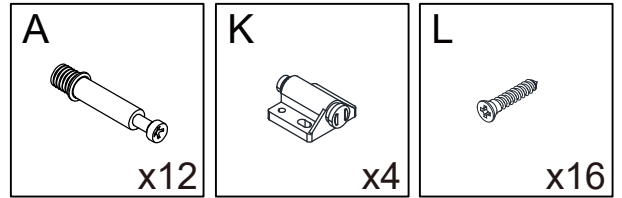




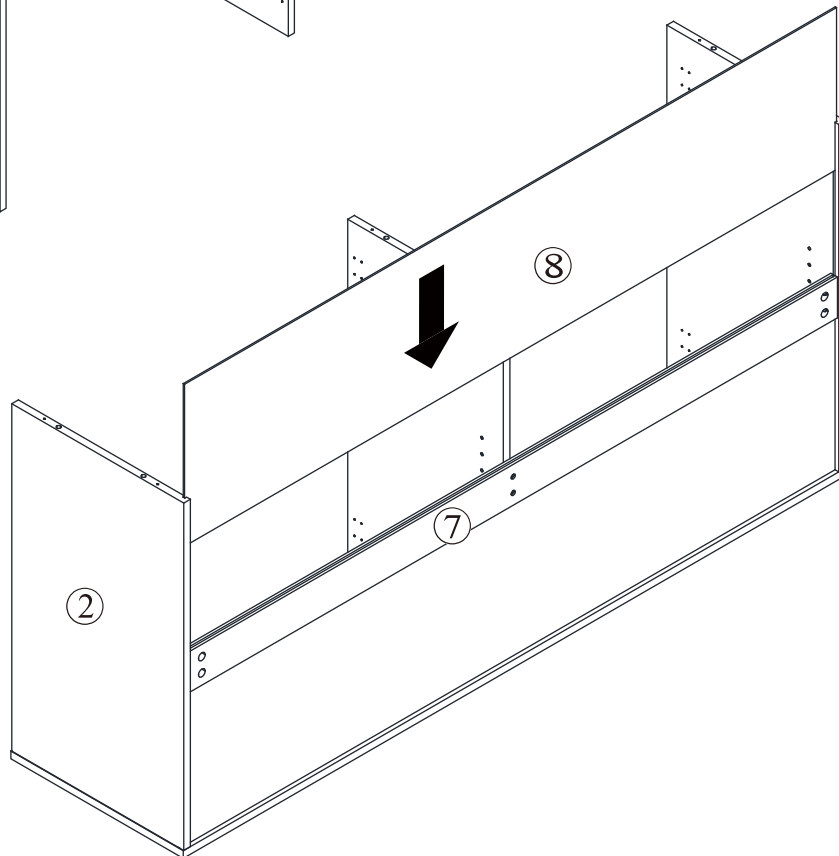
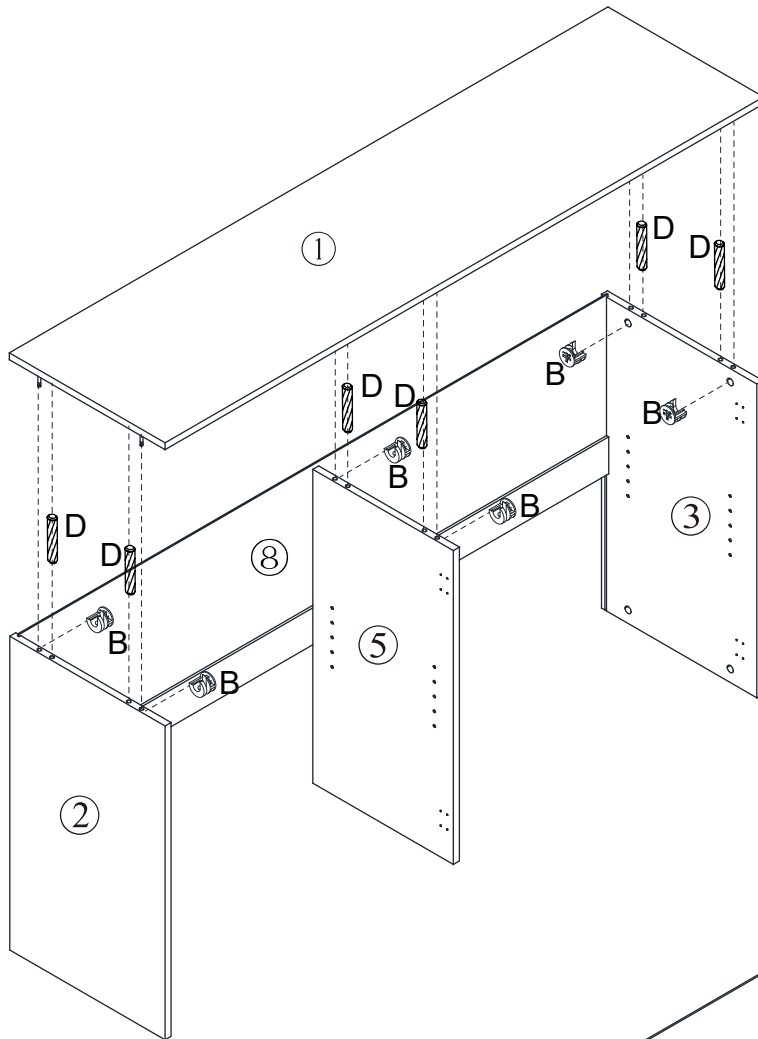
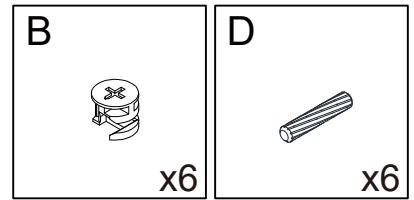
# STEP 4



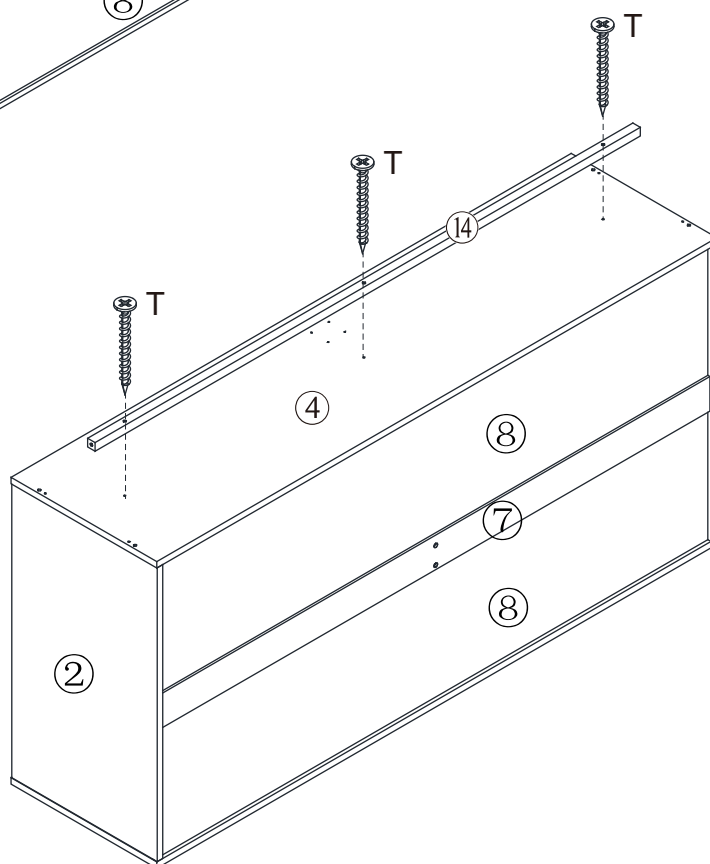
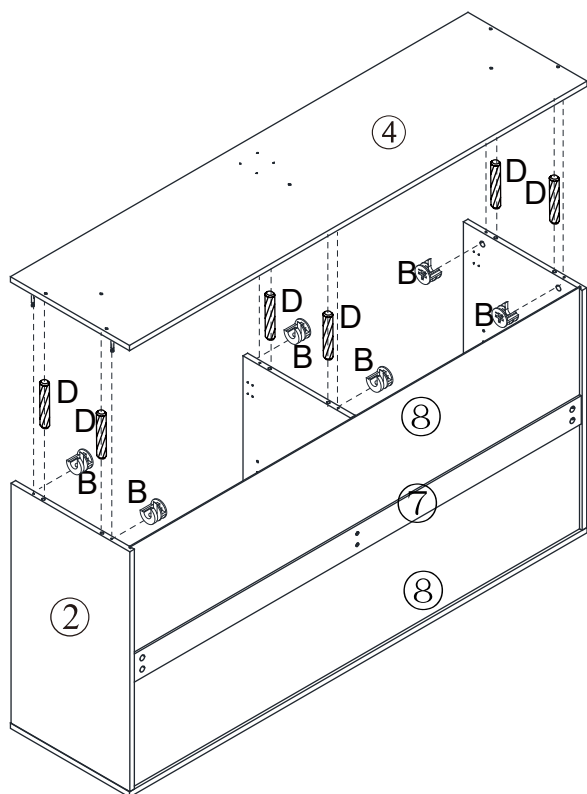
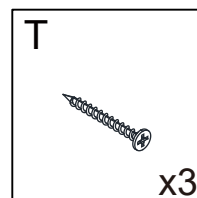
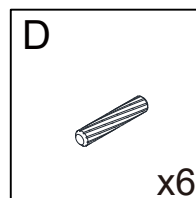
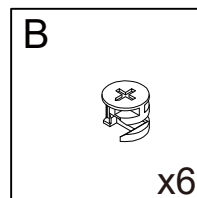
# STEP 5



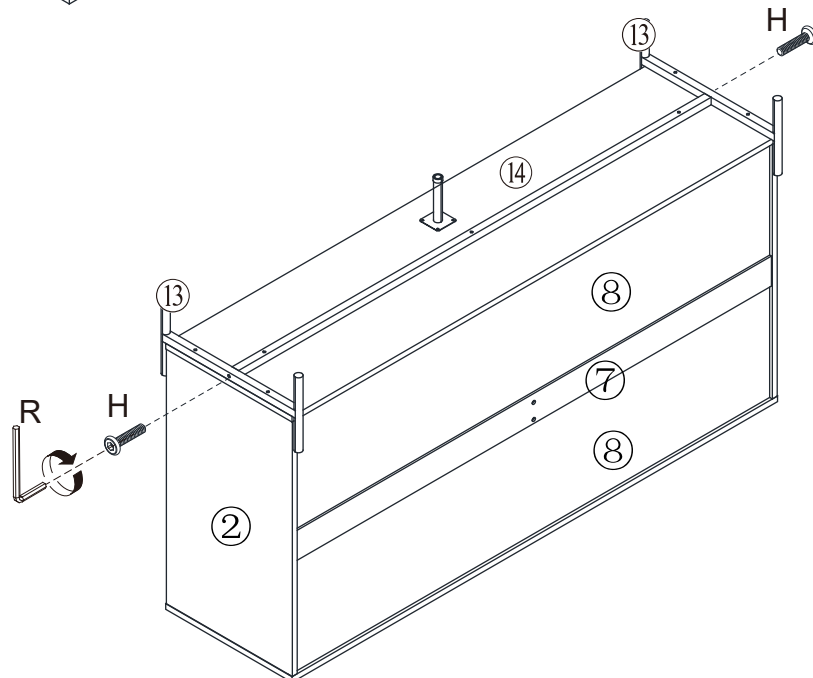
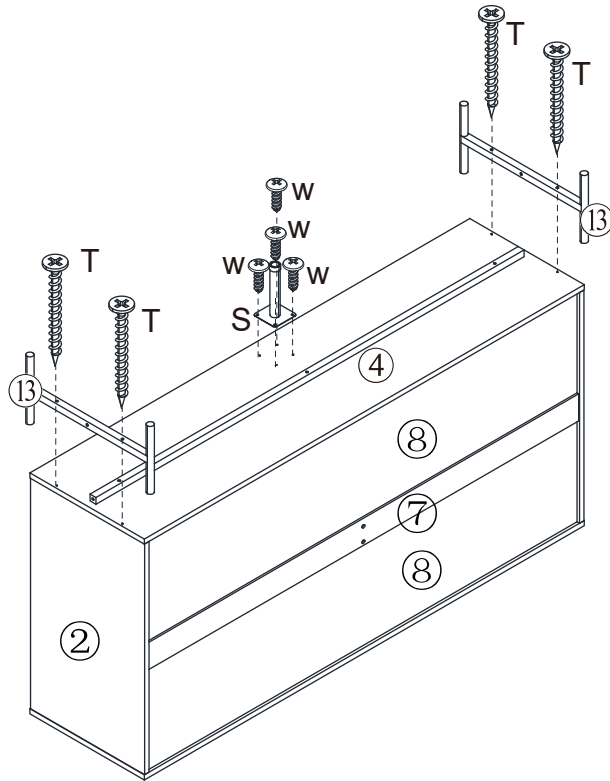
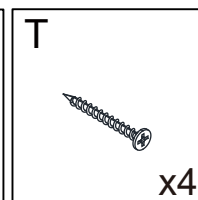
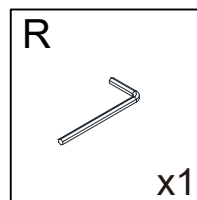
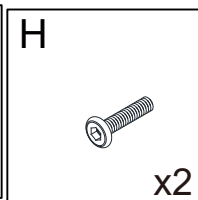
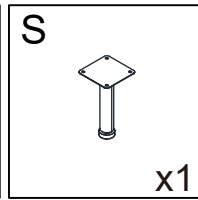
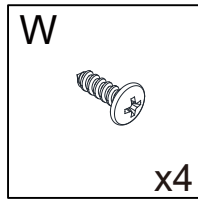
# STEP 6



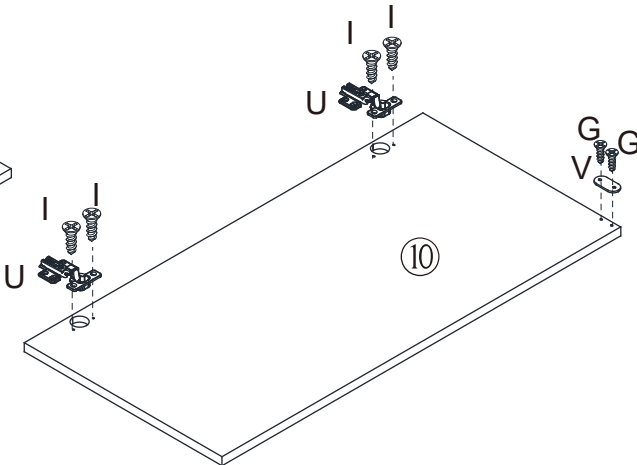
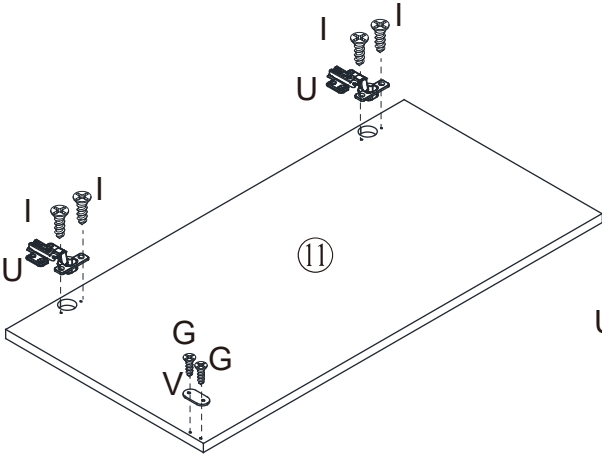
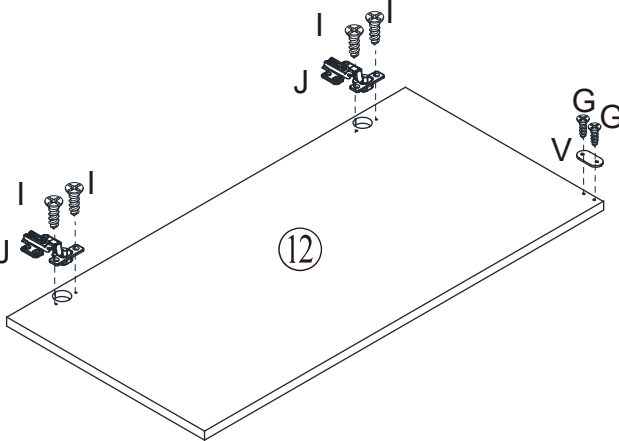
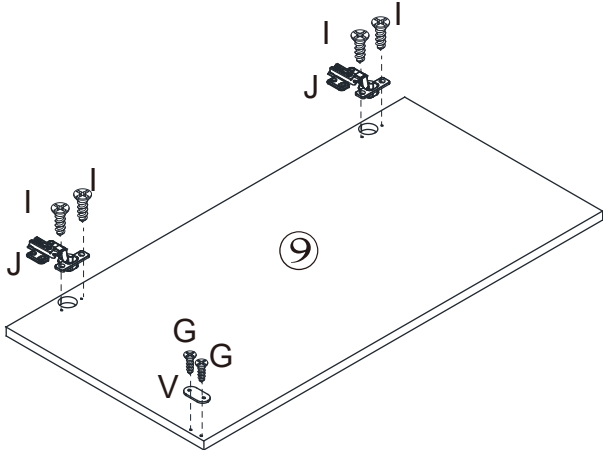
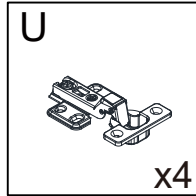
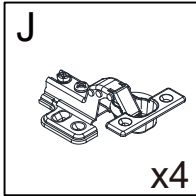
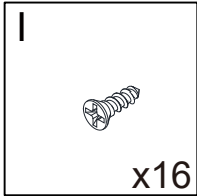
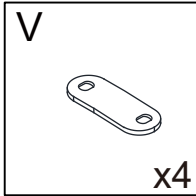
# STEP 7



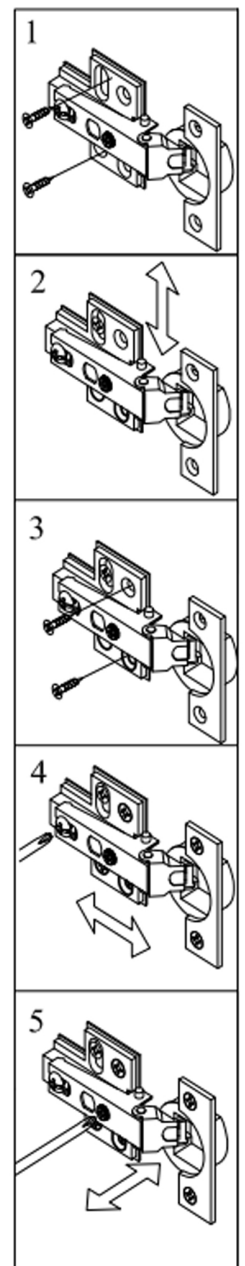
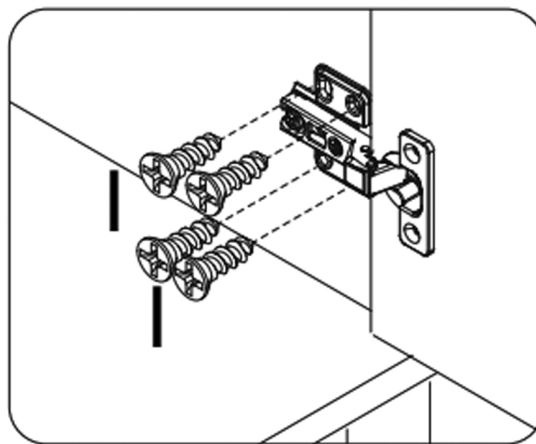
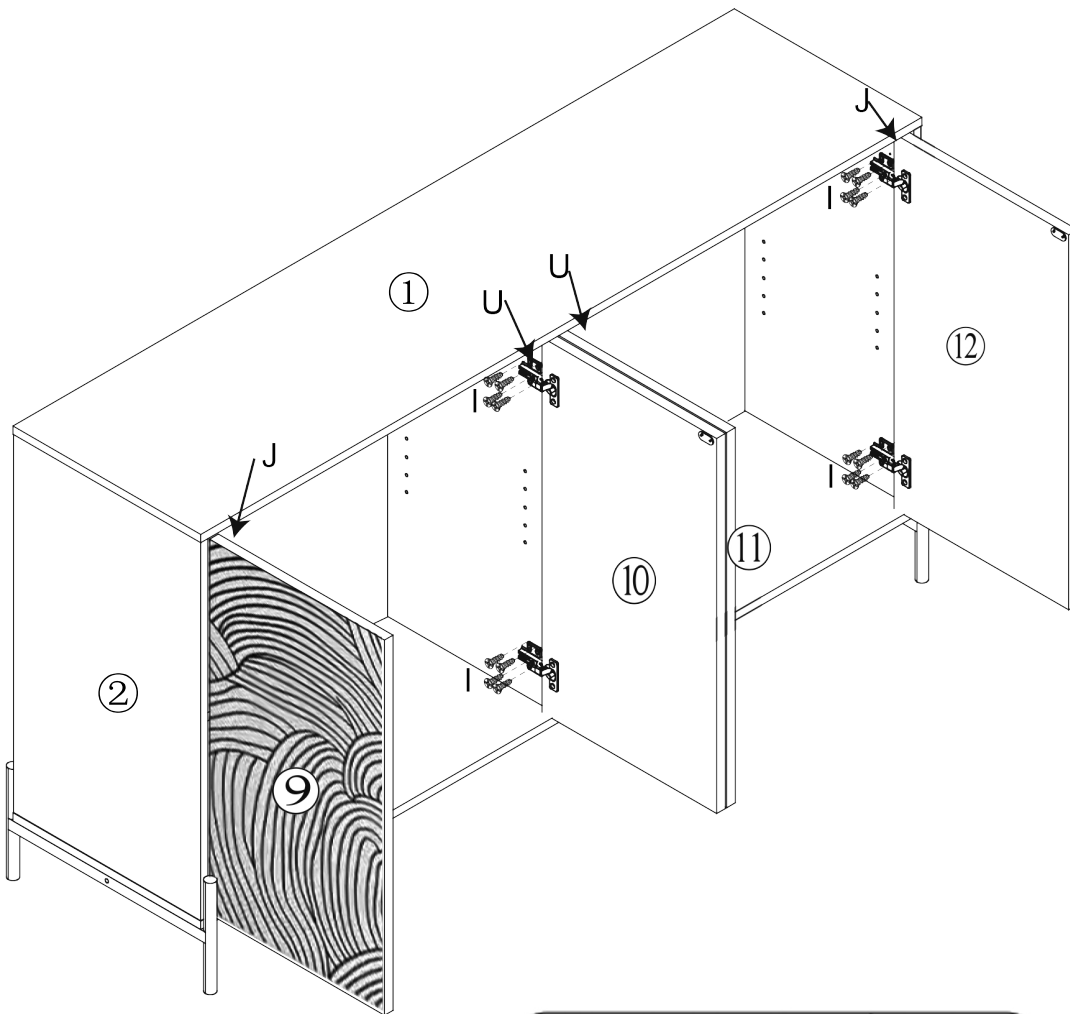
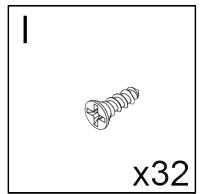
# STEP 8



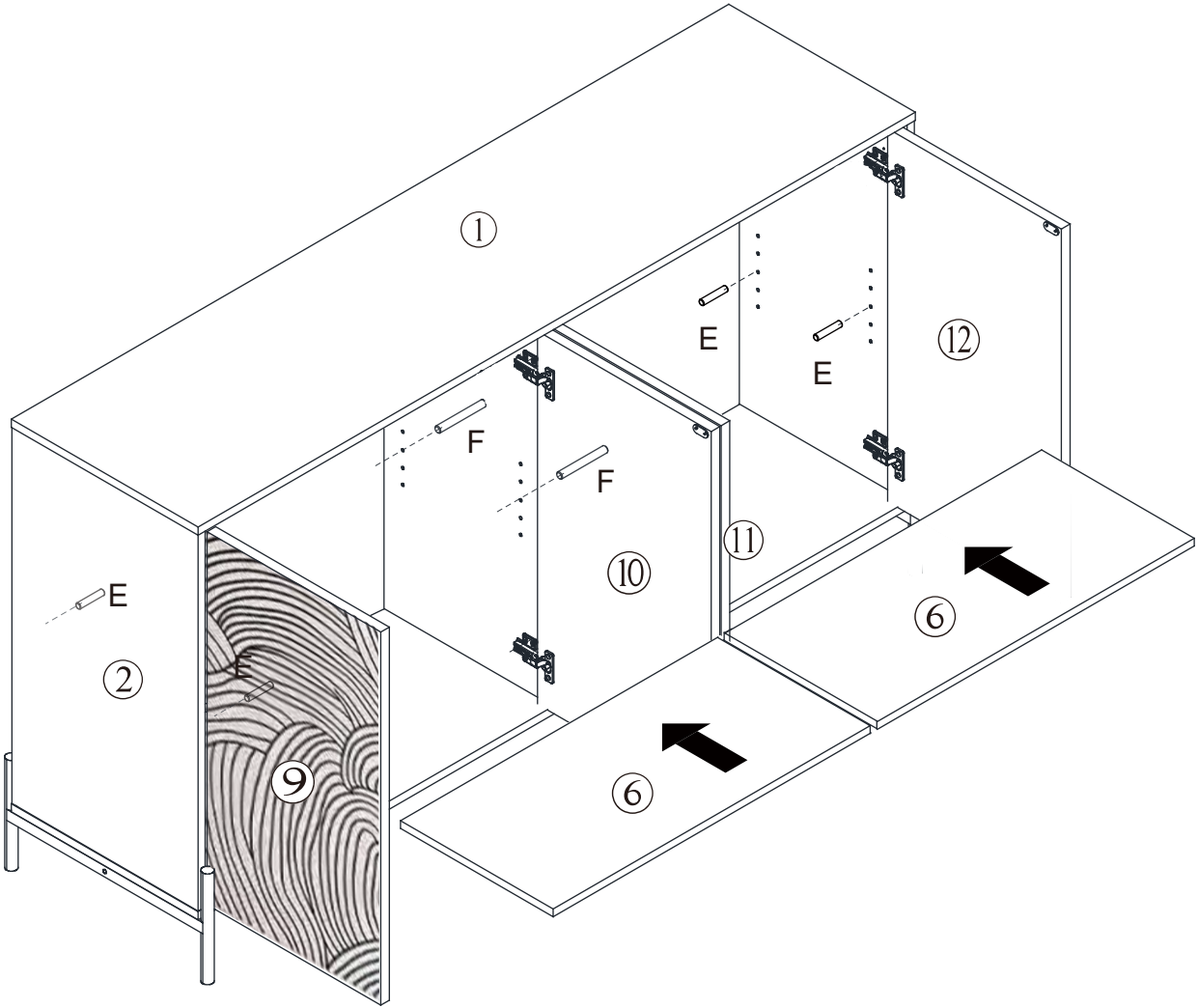
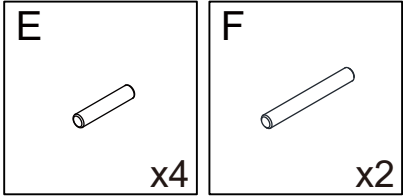
# STEP 9



# STEP 10

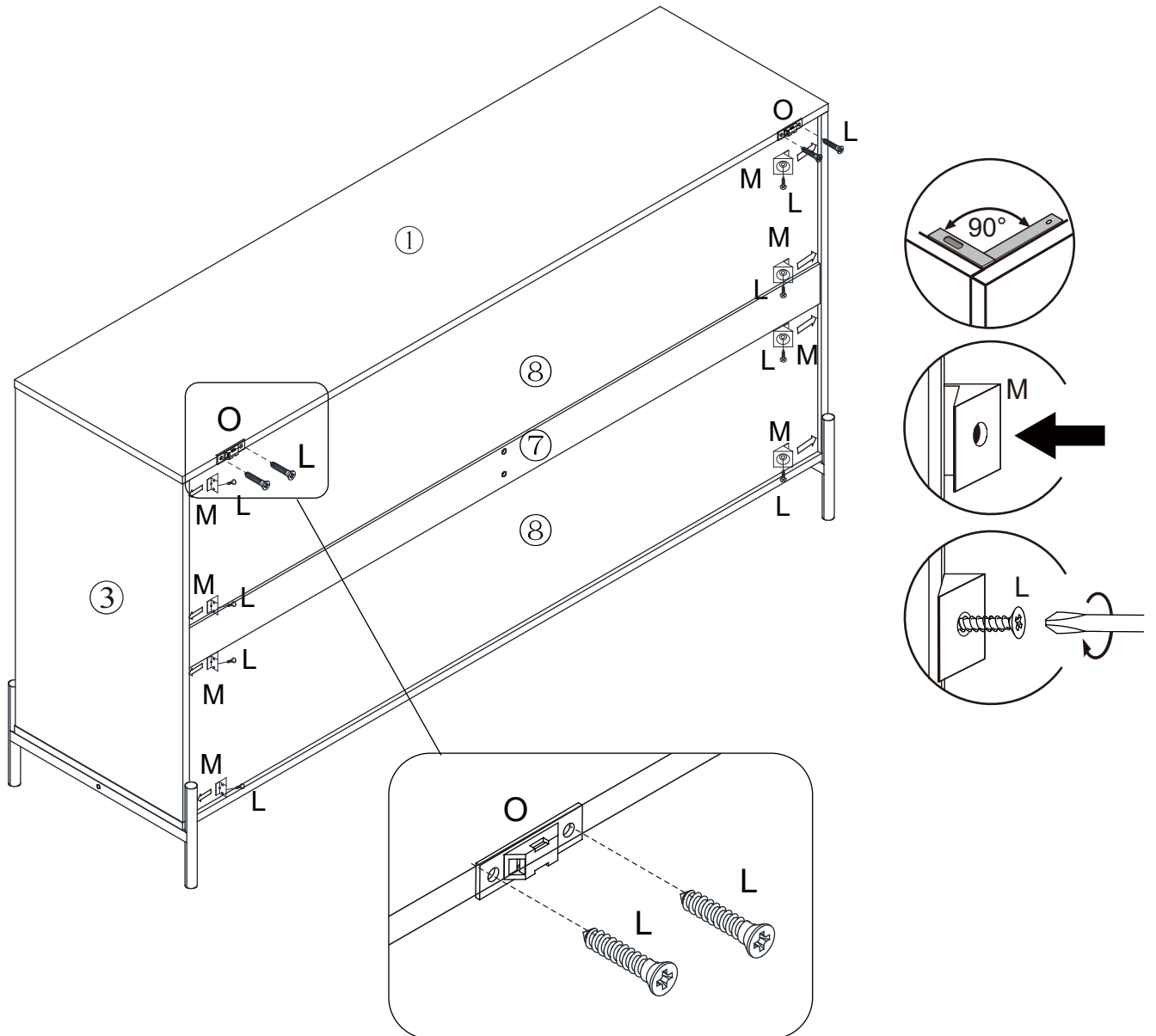
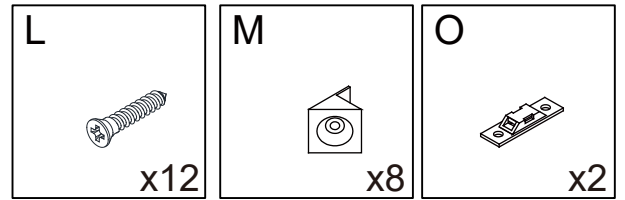


# STEP 11

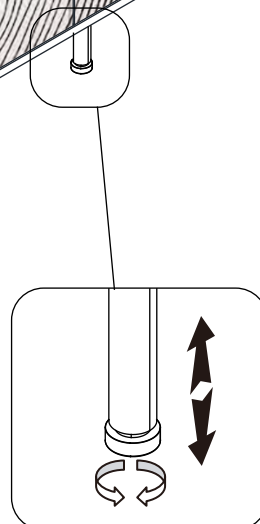
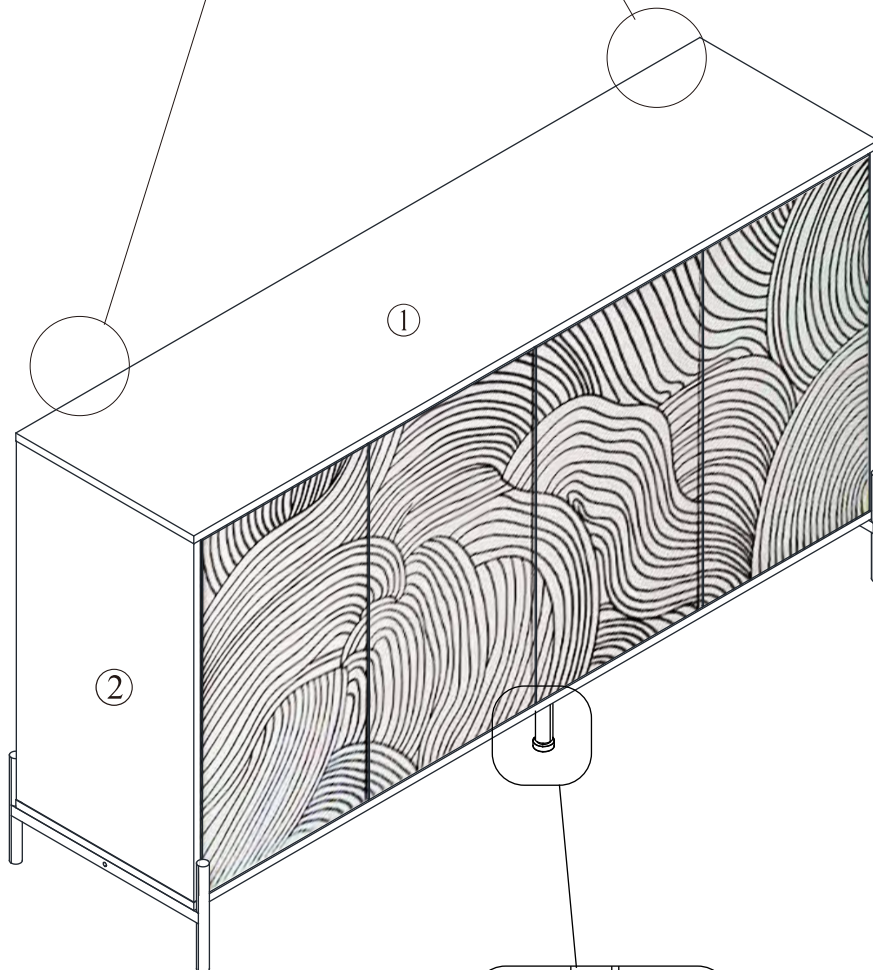
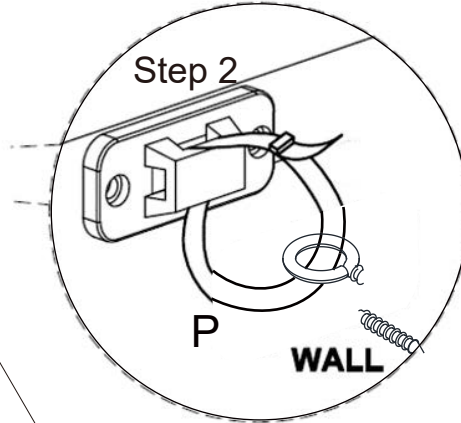
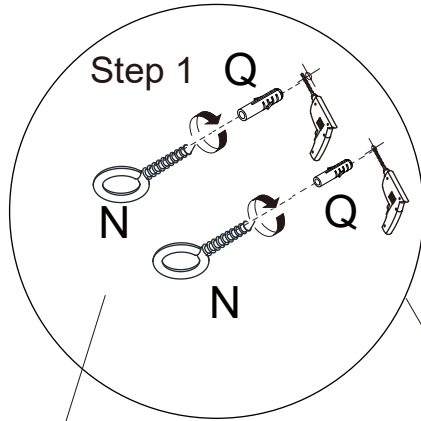
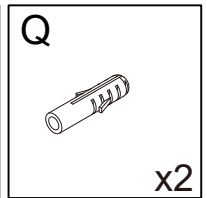
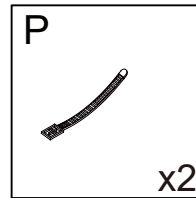
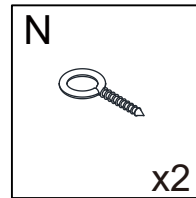




# STEP 12



# STEP 13



<b>1</b>
<b>2</b>
<b>3</b>

# Proper Use

- DO NOT** use for commercial purposes
- DO NOT** use as a step stool or stand on table
- DO NOT** put hot serving liquid directly on the table top
- DO NOT** leave spilled liquid on the table top
- DO NOT** use table if damaged
- DO NOT** exceed weight limit
- DO NOT** make temporary repairs
- DO NOT** use outdoor

Dear Customer:

Thank you for purchasing our product, we wish you satisfy our service, if you have any further questions or any quality issues, please show the belows number and don't hesitate to contact our Customer Service People:

**W2232202405**