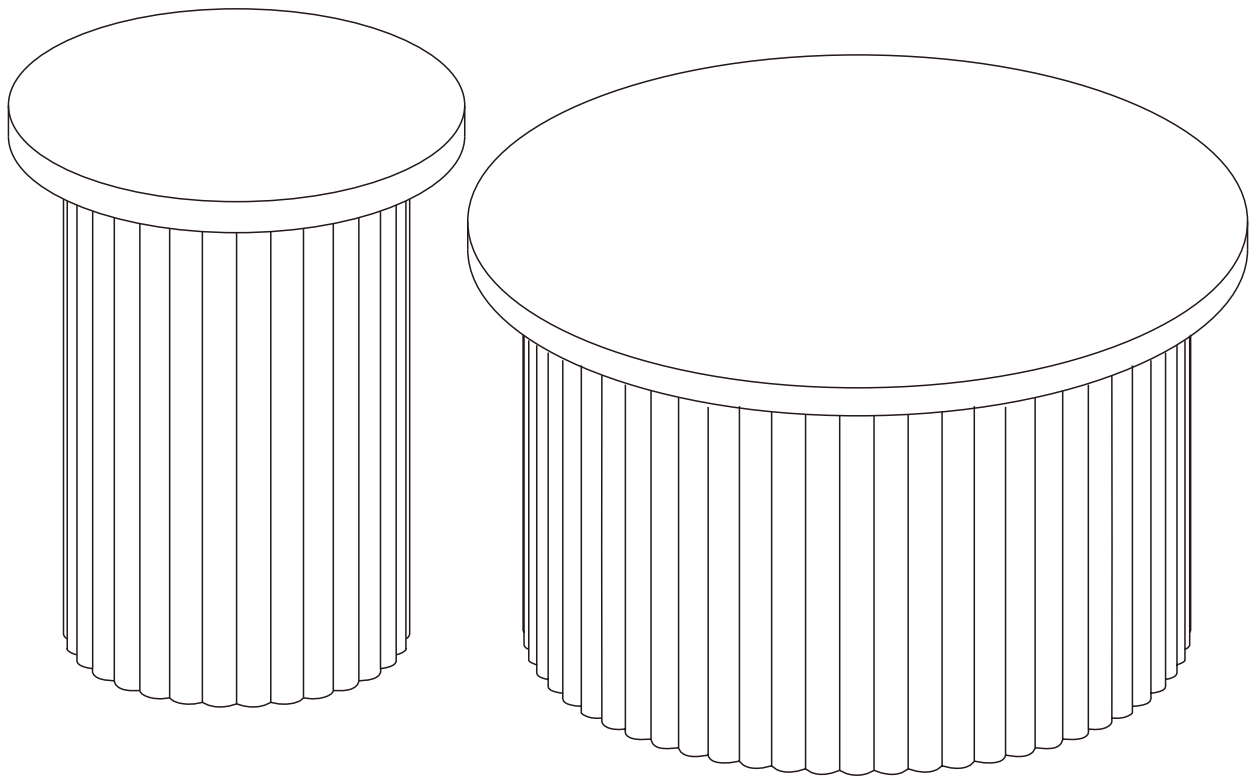


Installation Instruction



Product name

Coffee Table

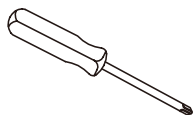
Ver.1.0 20240315

Assembling

What's included

What you need

- Use the packaging carton as a working surface to prevent product damage during assembly
- Phillips head screwdriver



Weight Limitation



30
lbs Table Top



2 PERSONS

Code	Description	Qty
A	Screw M4X35MM	16
B	Screw M4X25MM	48
C	Hole Sticker	48
D	Wooden Dowel M6X20MM	4
E	Metal Washer	8
F	Plastic Foot Pad	8
G	Bolt M6X25MM	8

The Hardware

A



B



C



D



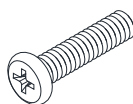
E



F



G



IMPORTANT :

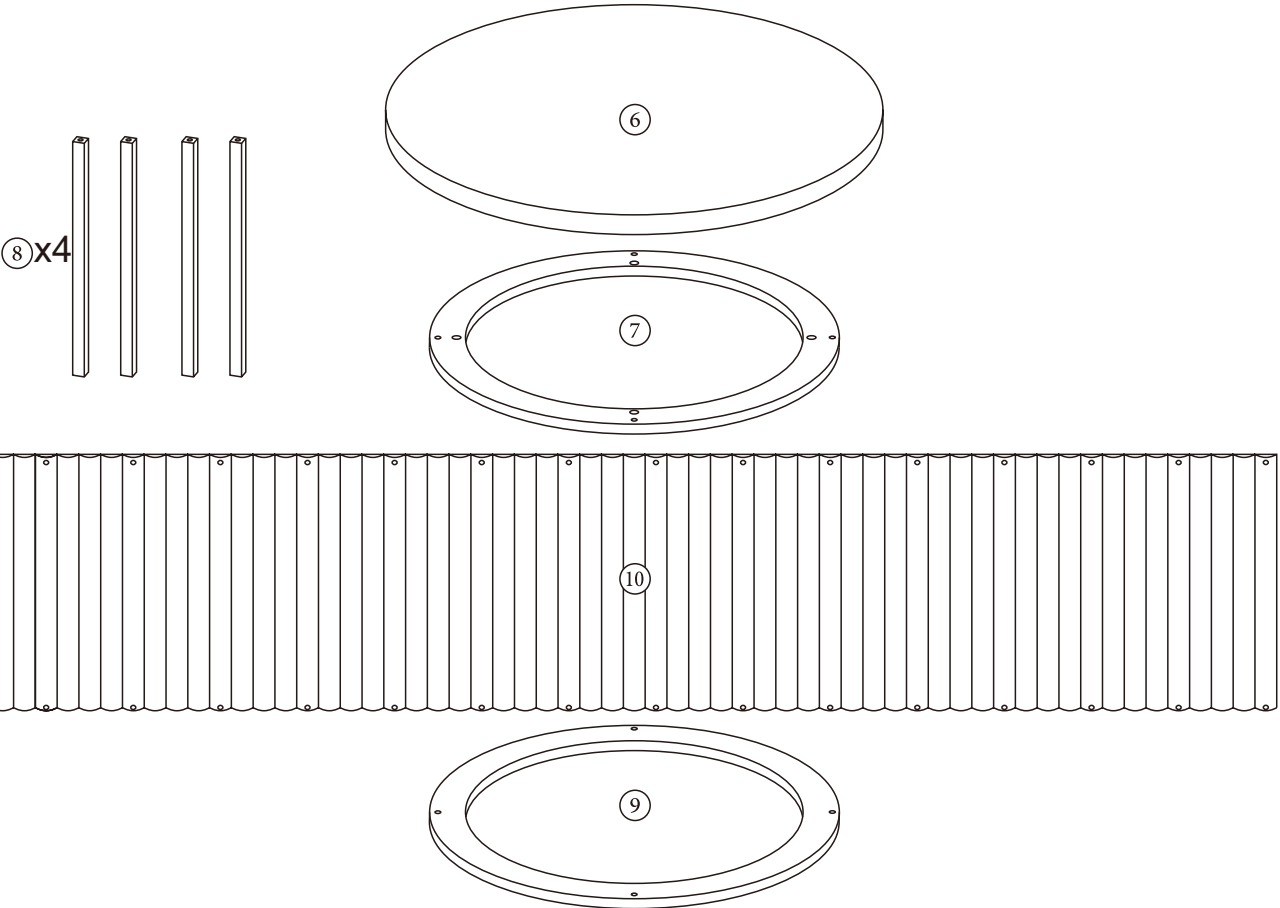
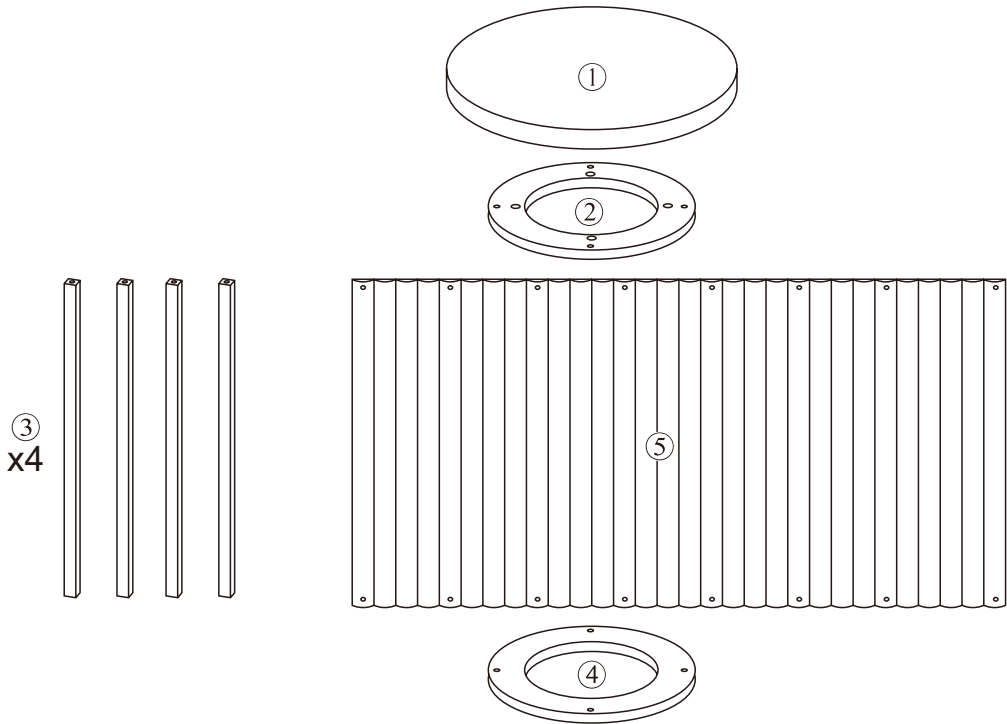
1. Do not tighten bolts / screws completely until all bolts / screws are lined up and inserted into holes.
2. Do not over tighten screws and bolts to avoid stripping.
3. Please use hand tools to assemble this product. Do not use power tools.
4. Must need 2 people to assemble this product.



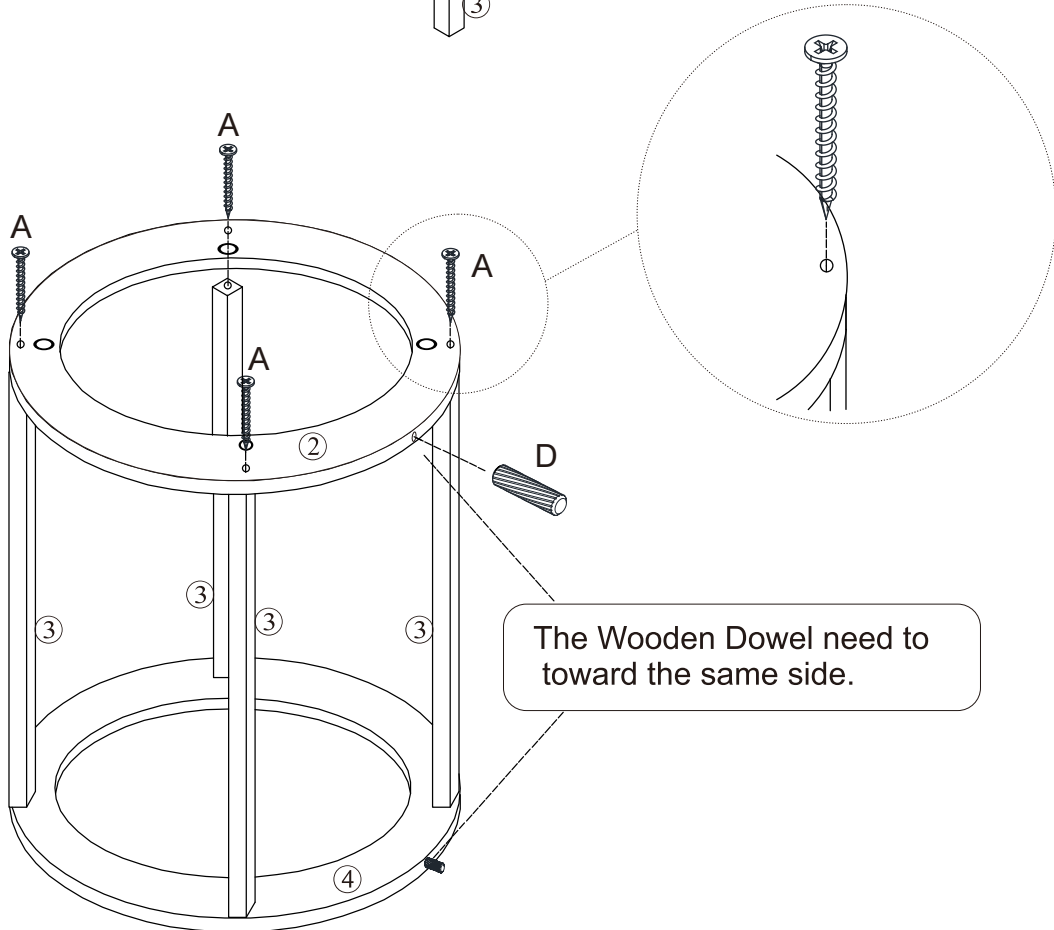
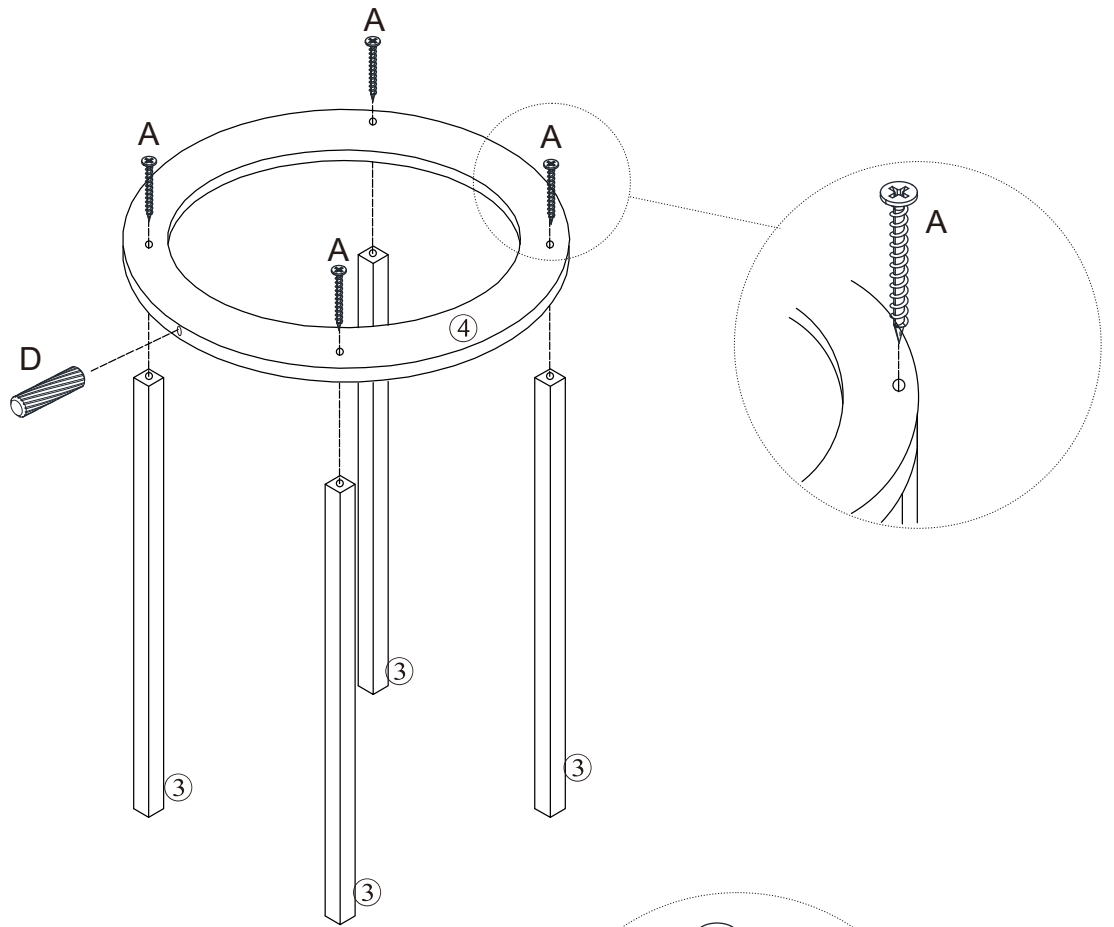
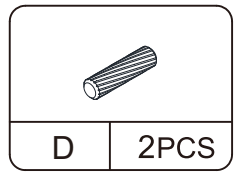
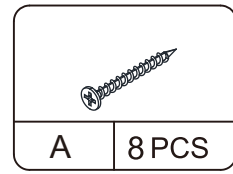
Included Accessories

Code	Description	Qty
1	Small Table Top	1
2	Small Top Round Support Panel	1
3	Small High Feet	4
4	Small Bottom Round Support Panel	1
5	Small High Strip Surrounding edge	1
6	Large Table Top	1
7	Large Top Round Support Panel	1
8	Large Lower Feet	4
9	Large Bottom Round Frame	1
10	Large Lower Strip Surrounding edge	1


The Accessoriess

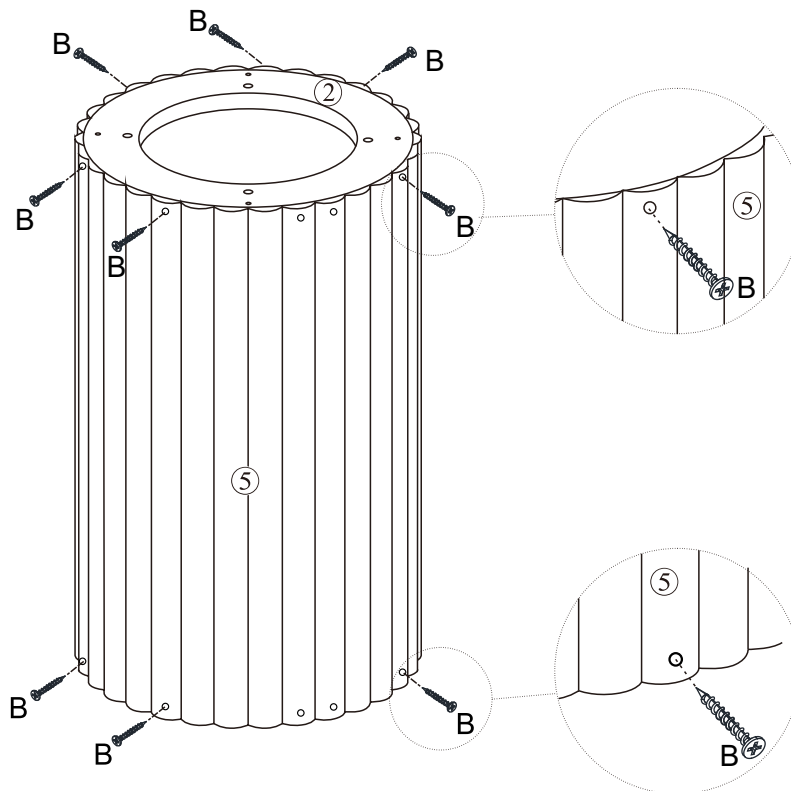
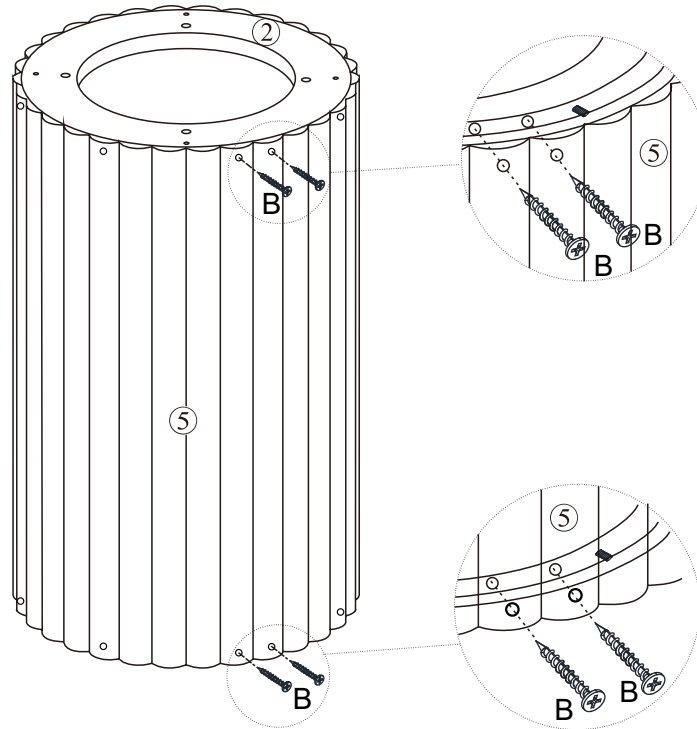


Step1

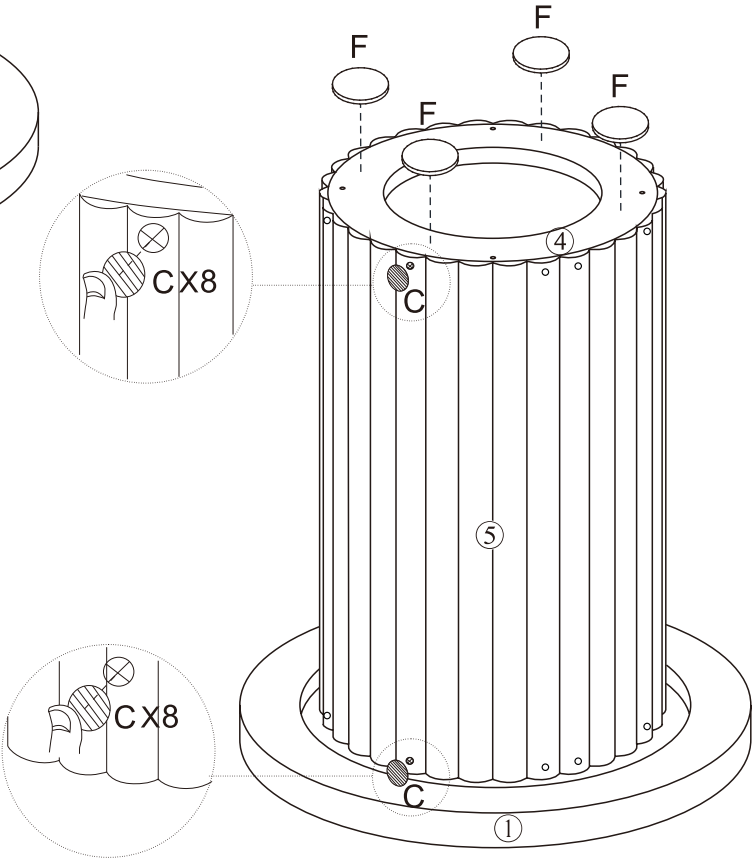
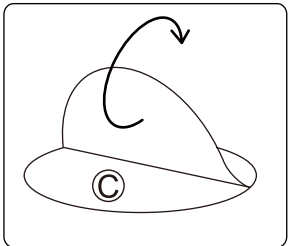
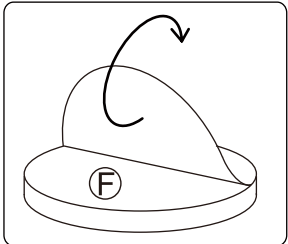
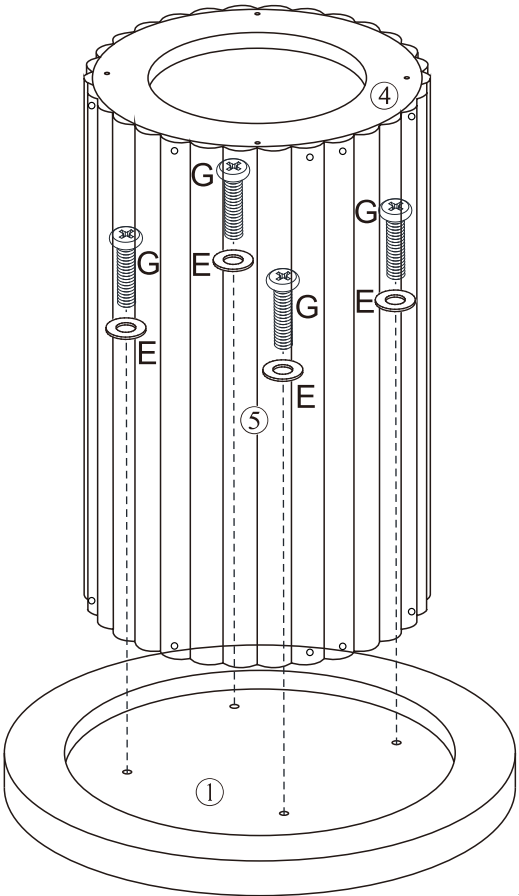
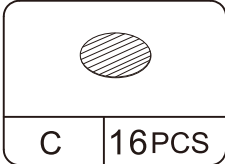
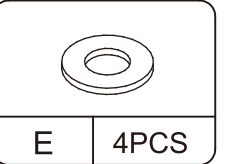
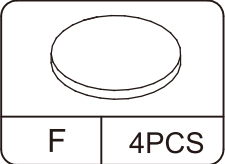
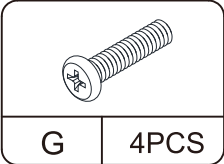


Step2

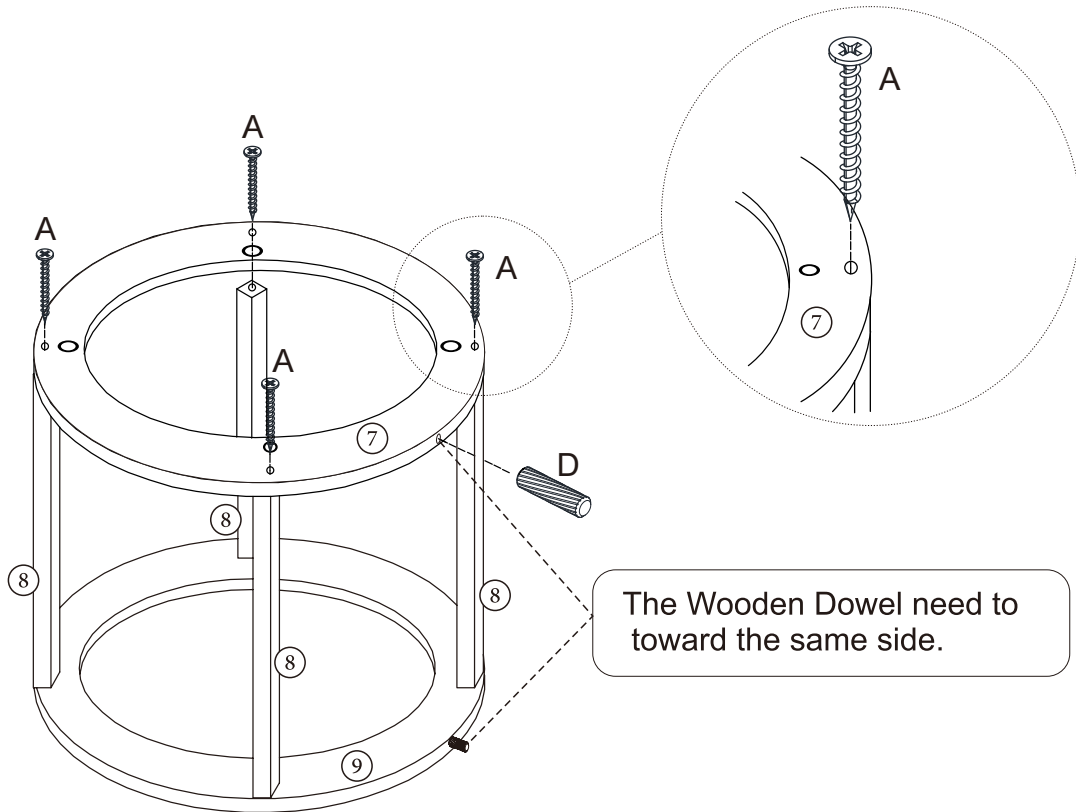
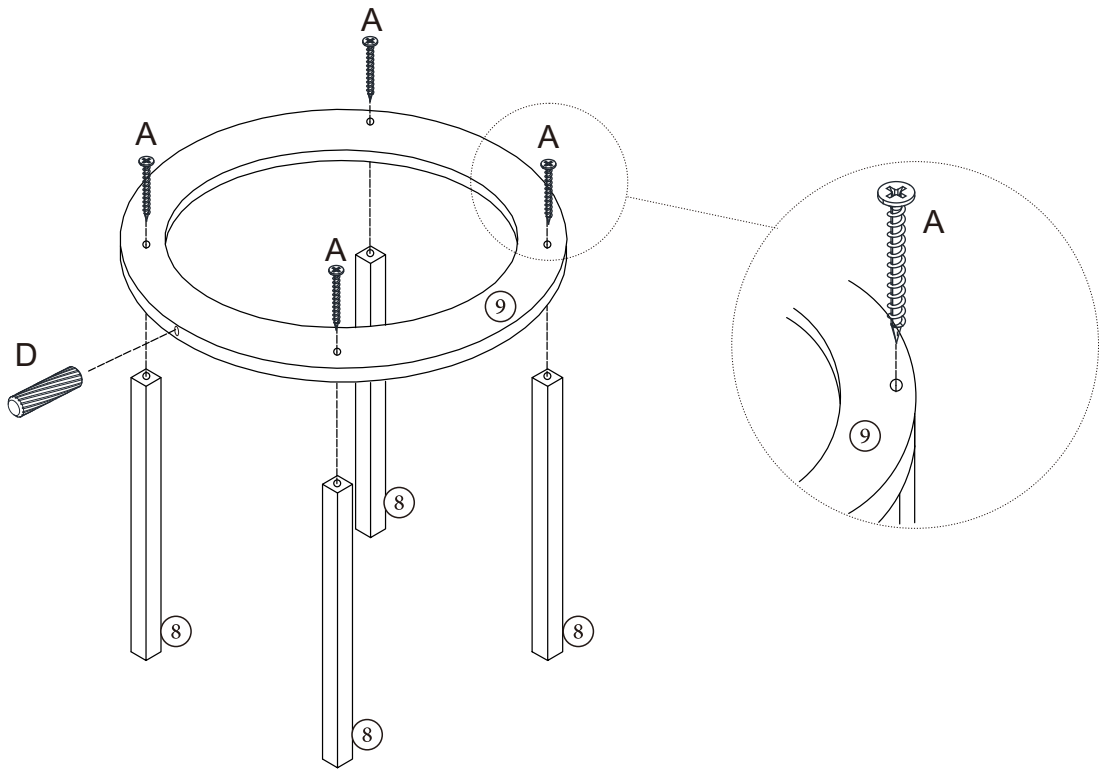
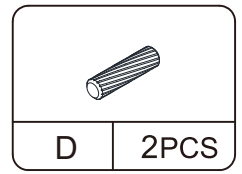
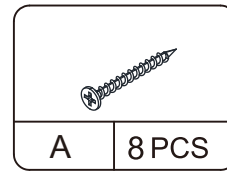
	
B	16 PCS




Step3

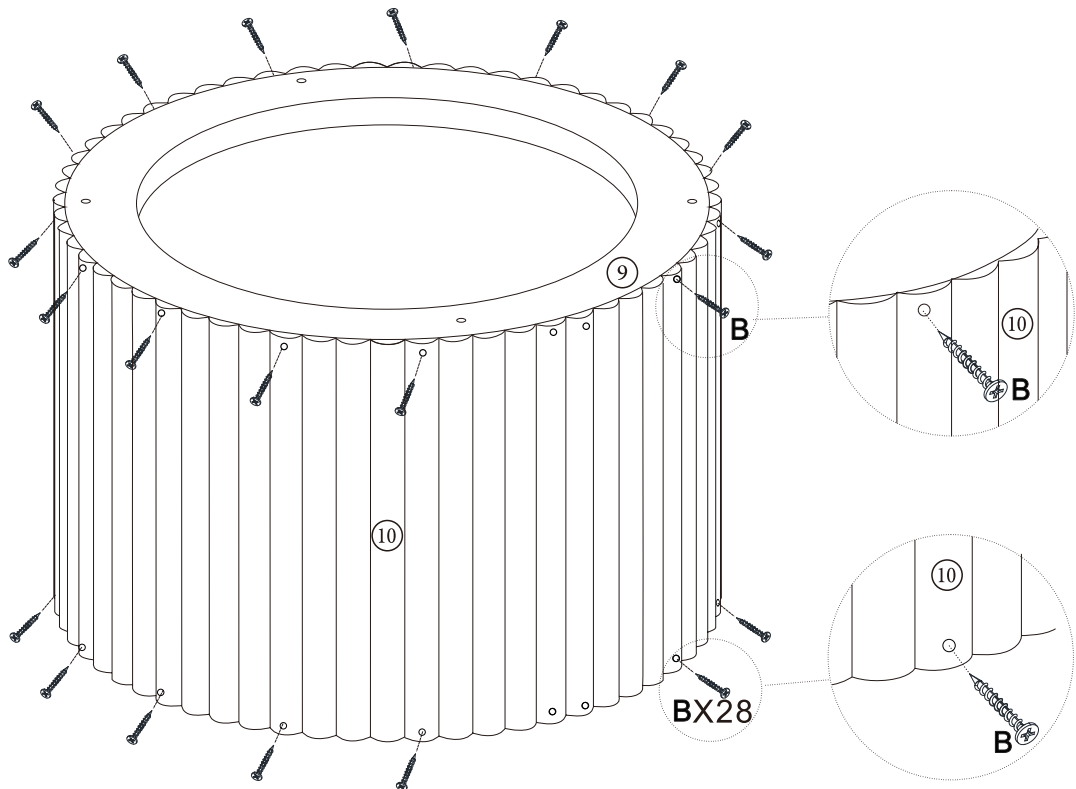
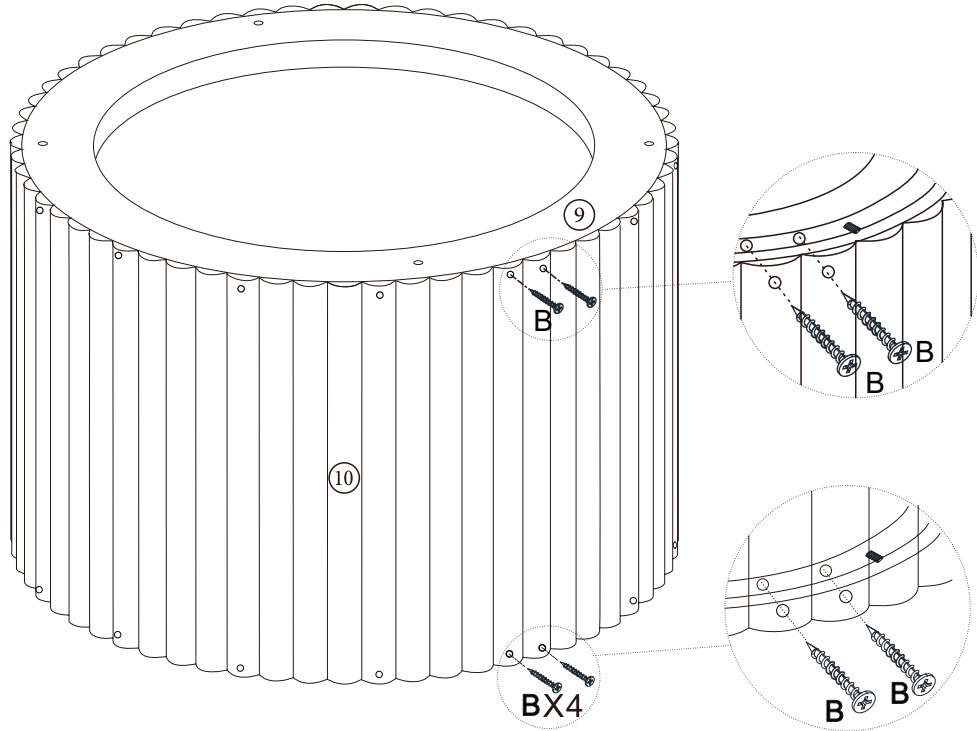


Step4

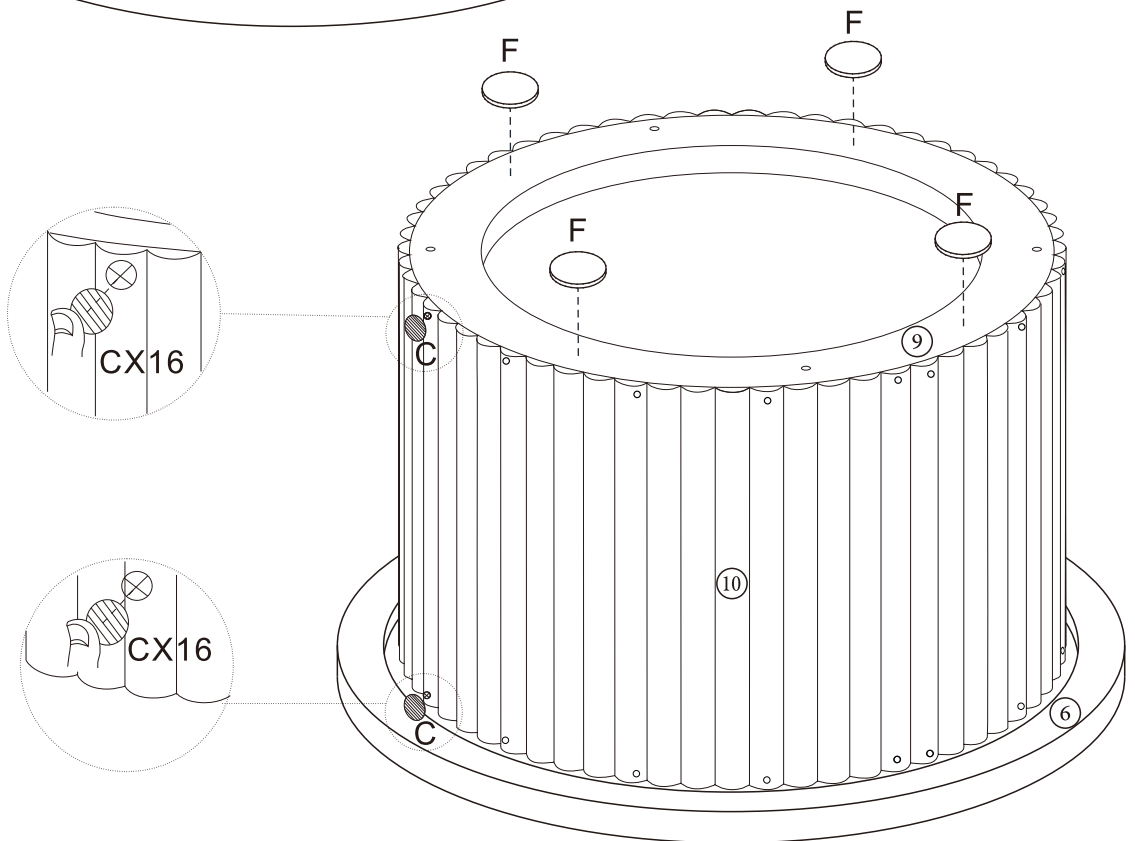
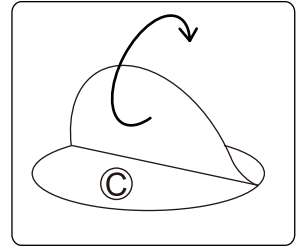
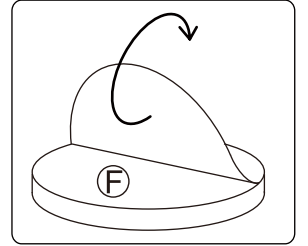
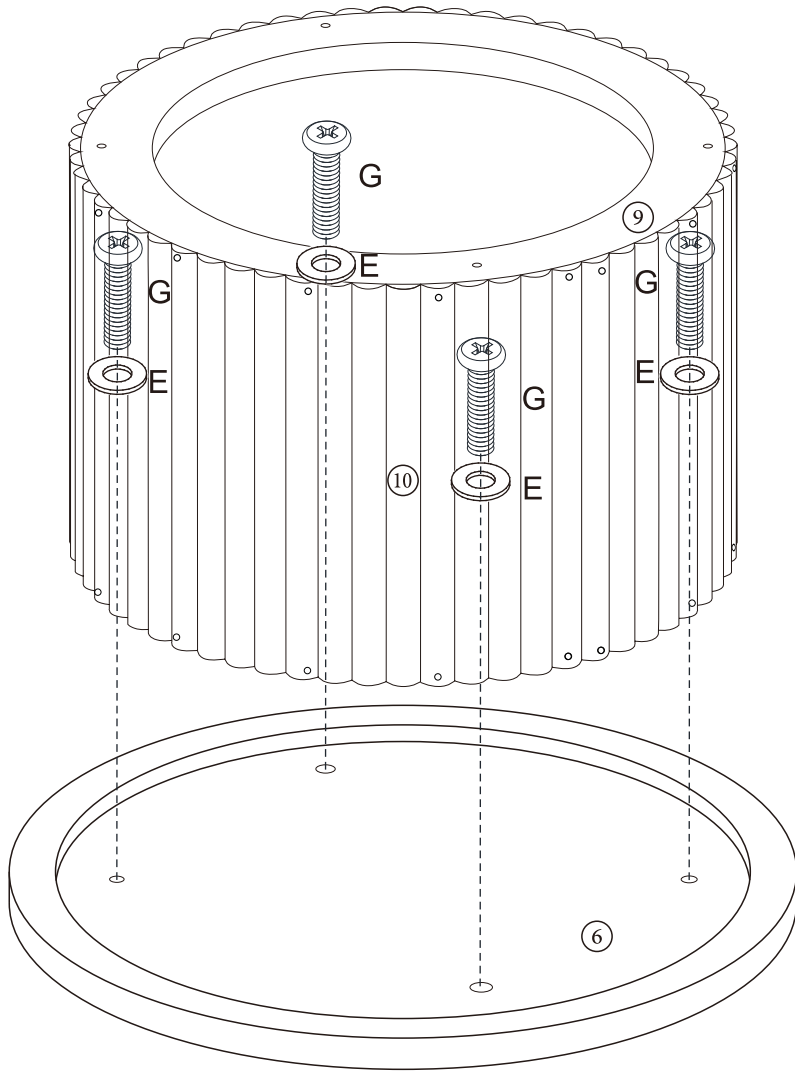
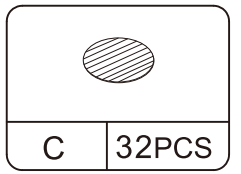
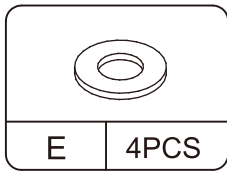
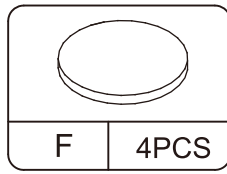
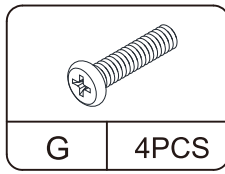


Step5

	
B	32PCS



Step6



Proper Use

- DO NOT** use for commercial purposes
- DO NOT** use as a step stool or stand on table
- DO NOT** put hot serving liquid directly on the table top
- DO NOT** leave spilled liquid on the table top
- DO NOT** use table if damaged
- DO NOT** exceed weight limit
- DO NOT** make temporary repairs
- DO NOT** use outdoor

Dear Customer:

Thank you for purchasing our product,we wish you satisfy our service,if you have any further questions or any quality issues,please show the belows number and don't hesitate to contact our Customer Service People:

W2232202403