

















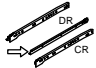
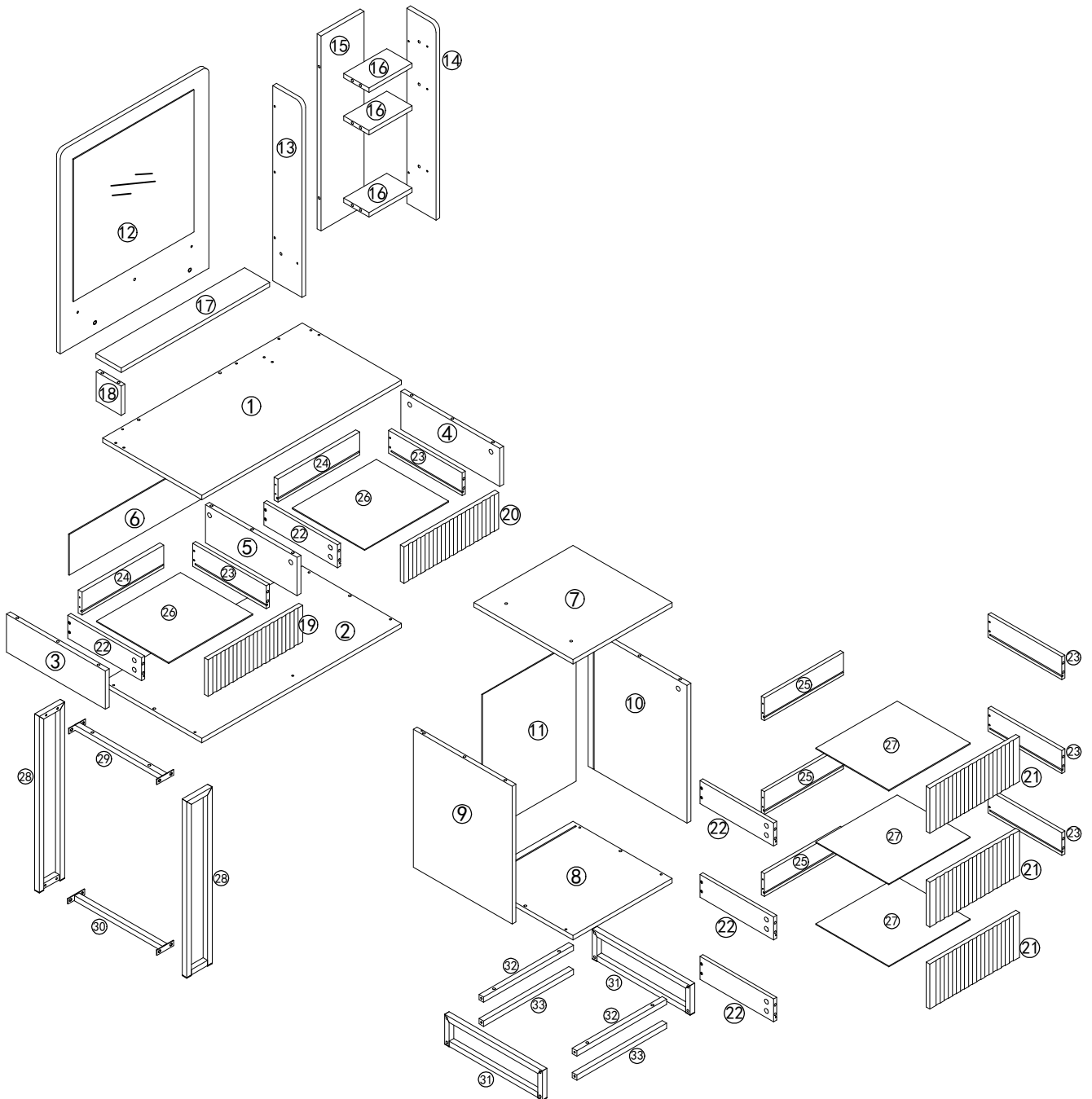
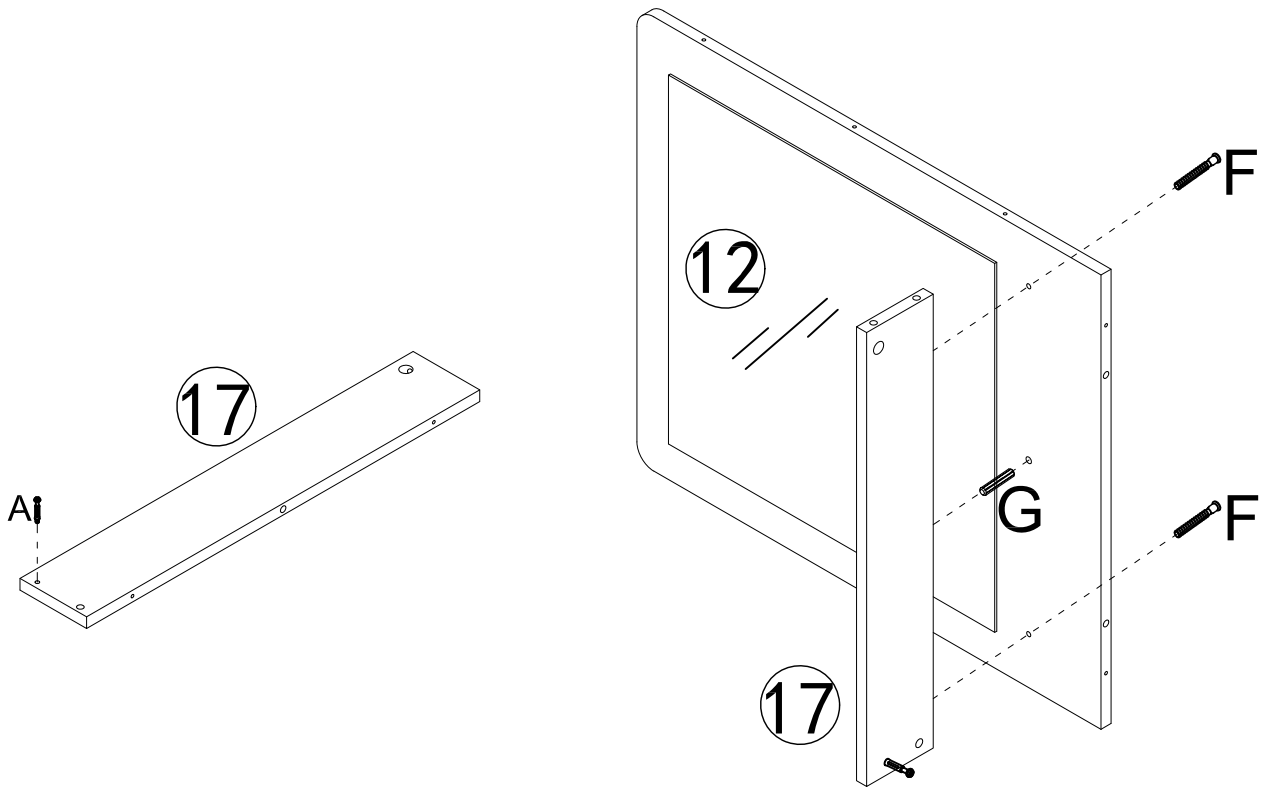





Assembly Instruction

A	X42	B	X42	C	X8	D	X48	E	X6	F	X24	G	X21	H	X10
															
M6x35mm		Ø15x9mm		M6x12mm		M3x14mm		M6x28mm		M5x40mm		Ø8x30mm		M3x12mm	
I	X5	J	X8	K	X20	M	X2	N	X2	O	X8	P	X2	Q	X2
															
		M6x40mm		M4x35mm		M4x50mm		Ø6x30mm				M6x22		4mm	
S	X1	L	X5	R	X5										
															

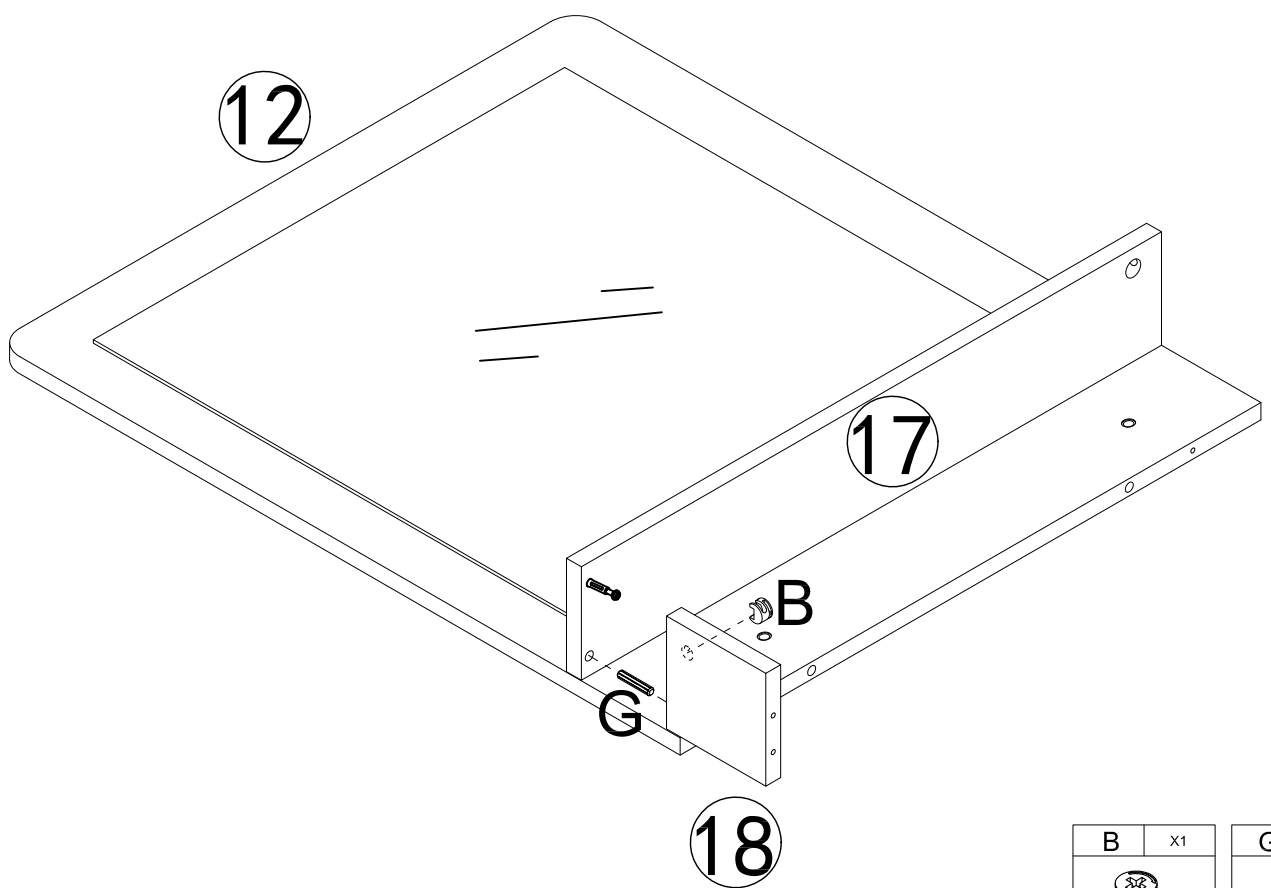




1



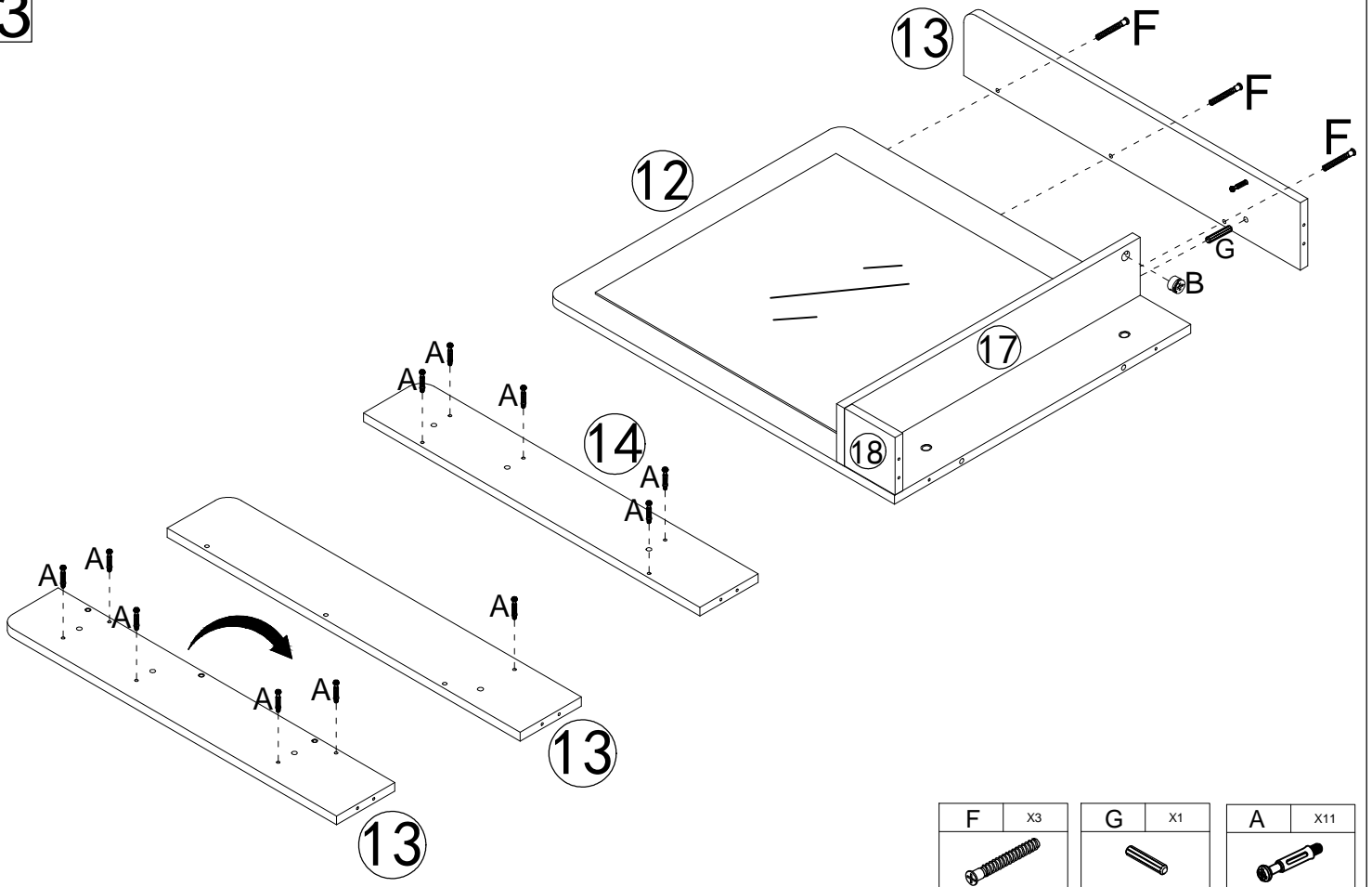
F	x2	G	x1	A	x1
					
M5x40mm		Ø8x30mm		M6x35mm	




2



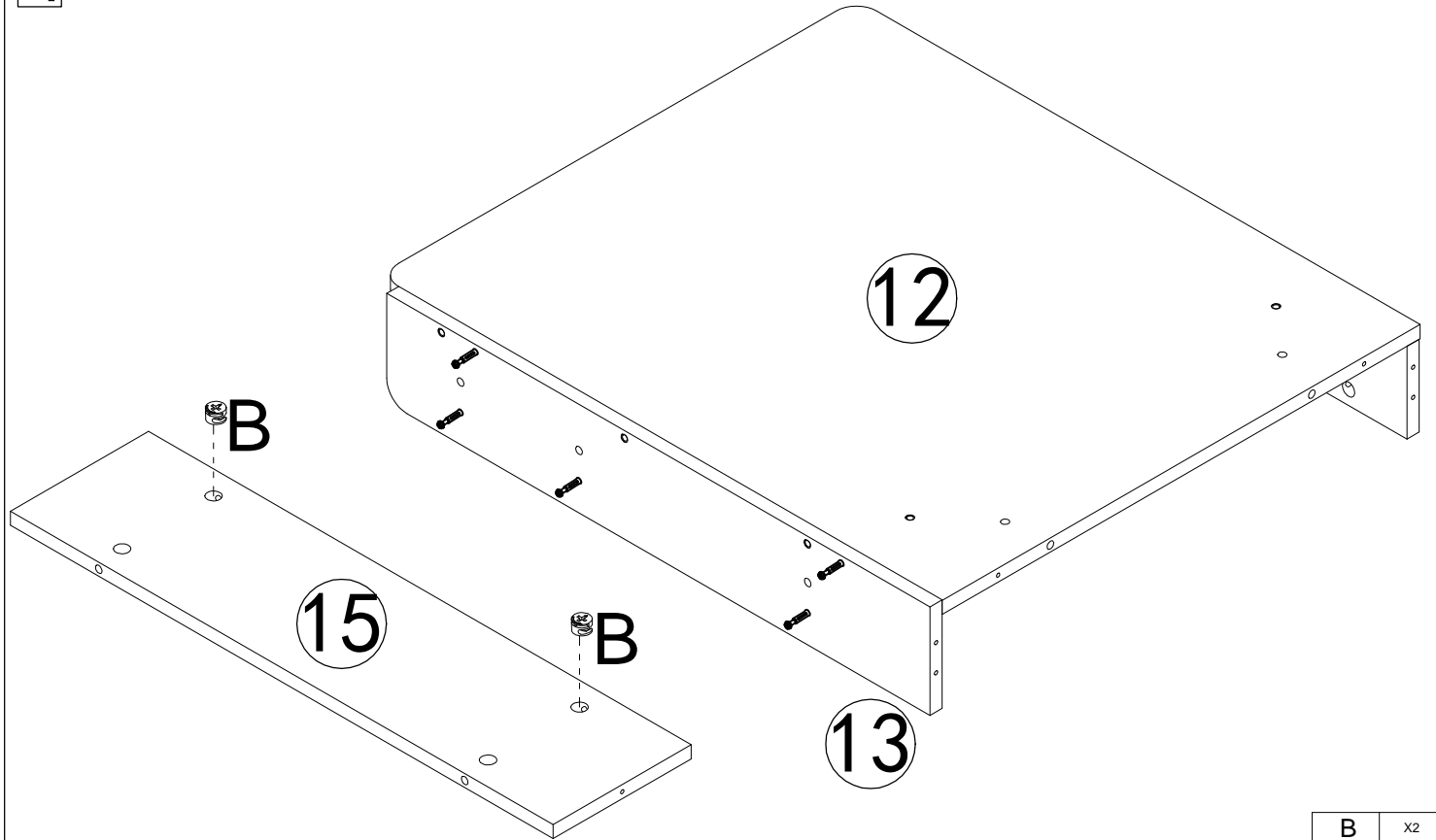
B	x1	G	x1
			
Ø15x9mm		Ø8x30mm	


3



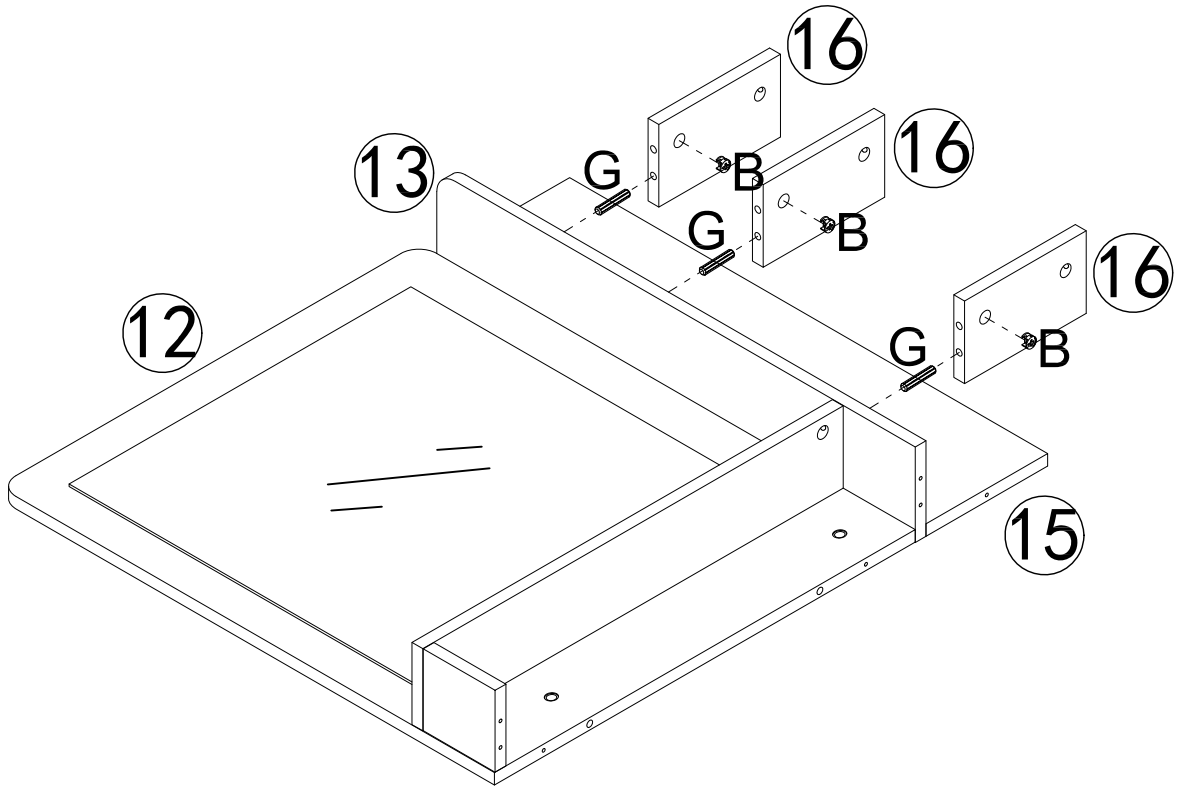
F	x3	G	x1	A	x11
					
M5x40mm		Ø8x30mm		M6x35mm	



4



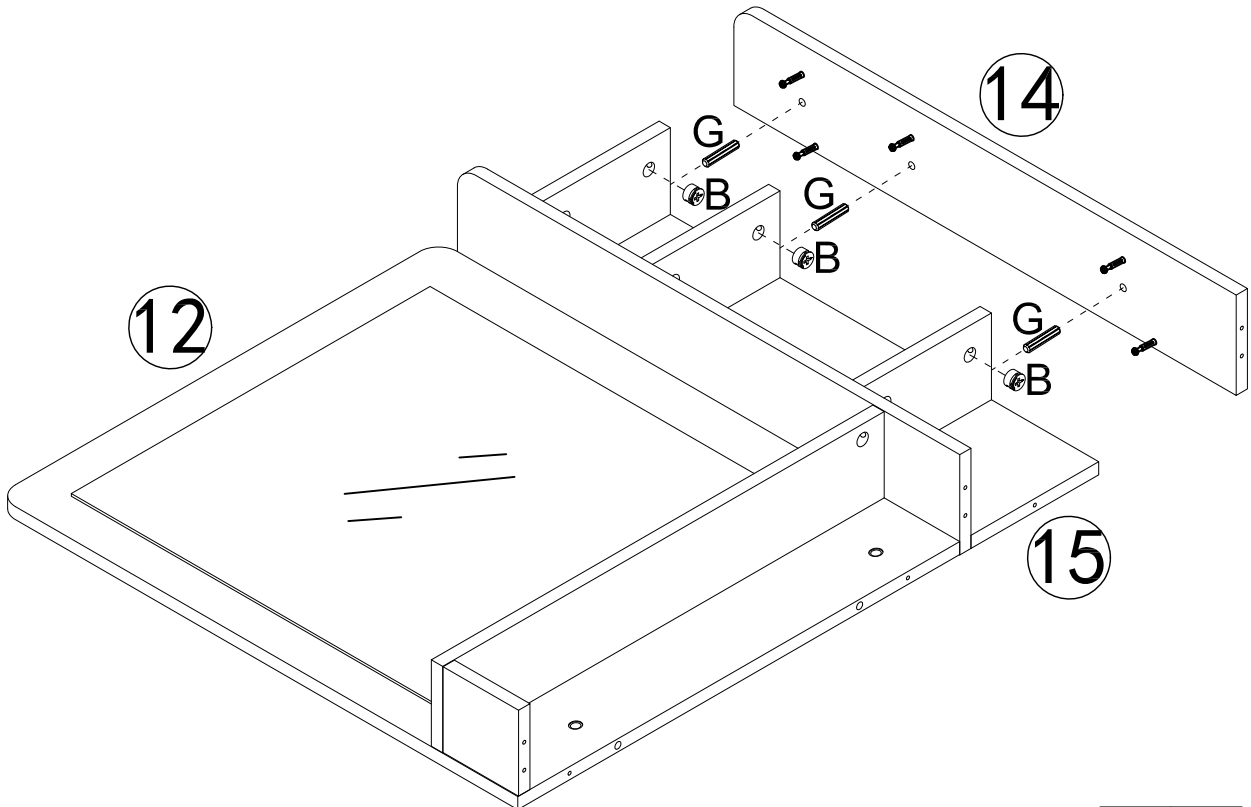
B	x2
	
Ø15x9mm	


5



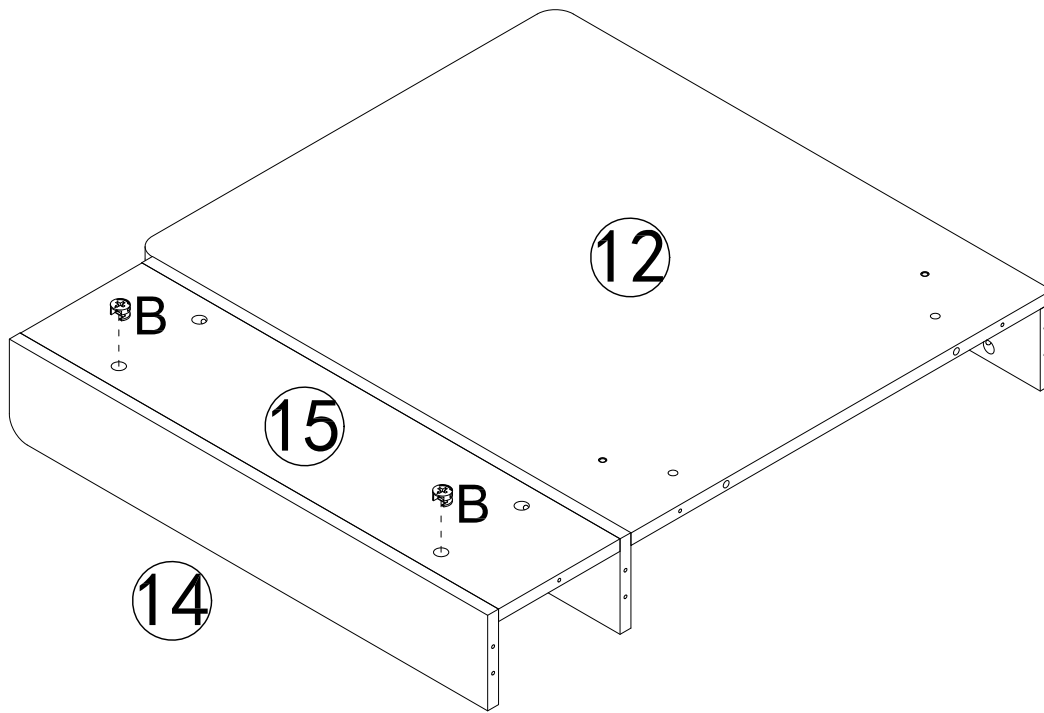
B	X3	G	X3
			
Ø15x9mm		Ø8x30mm	


6



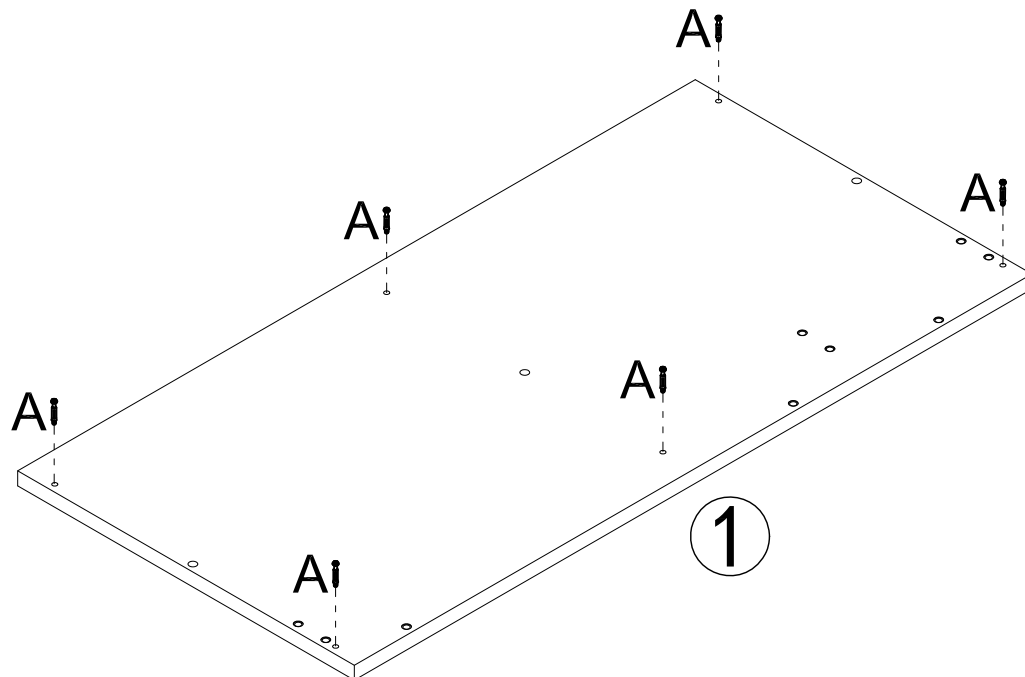
B	X3	G	X3
			
Ø15x9mm		Ø8x30mm	


7



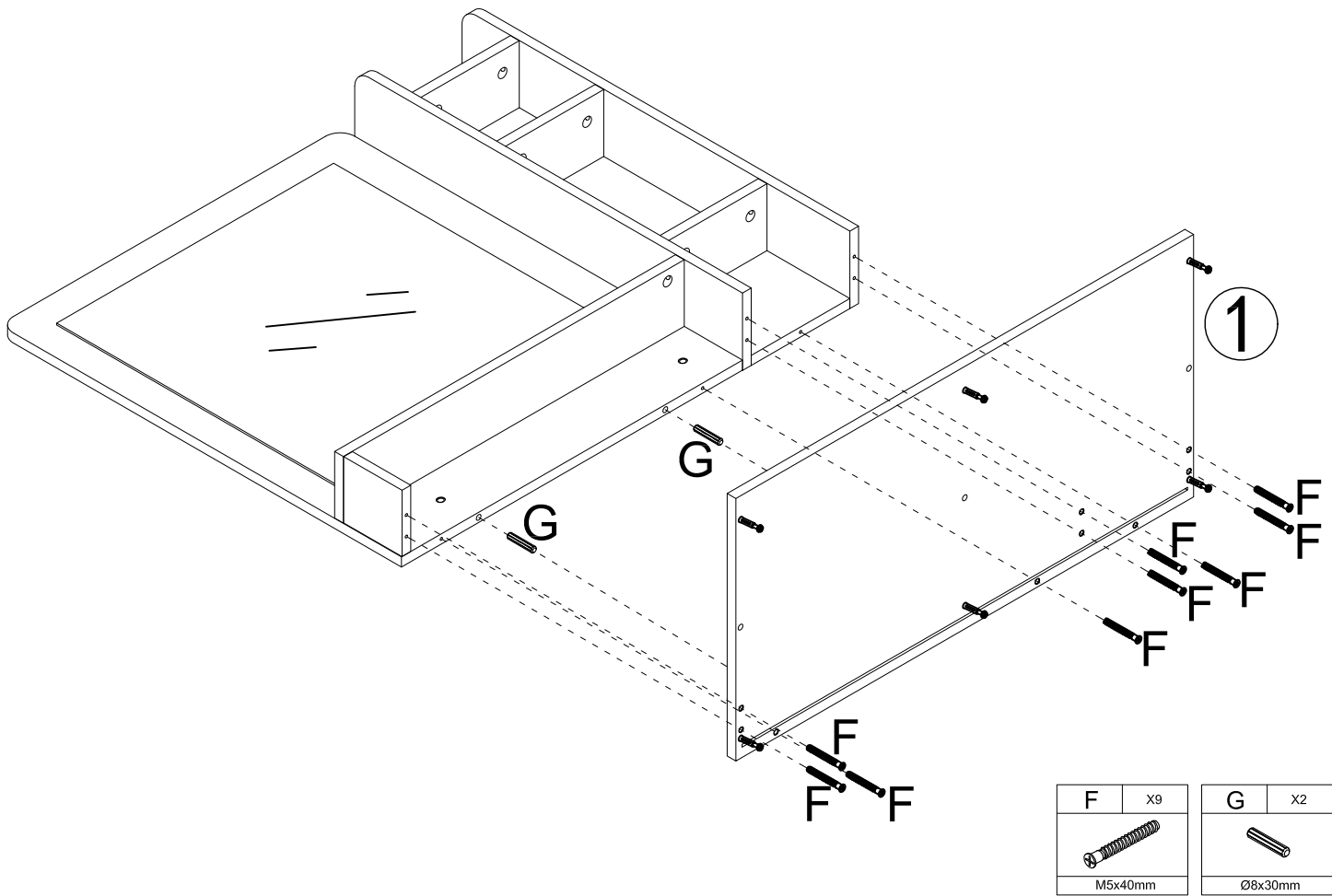
B	X2
	
Ø15x9mm	



8



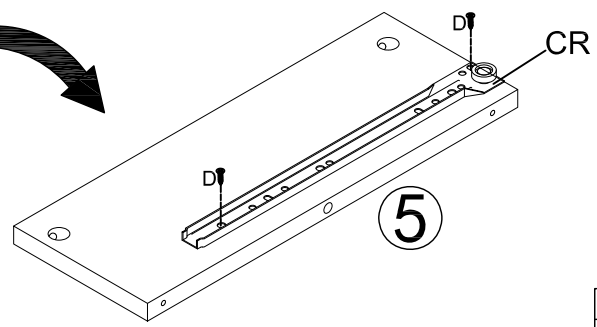
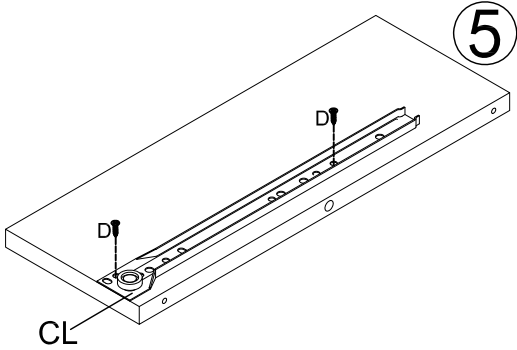
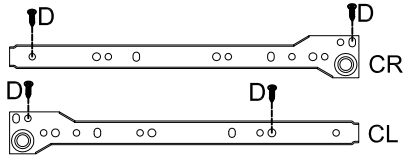
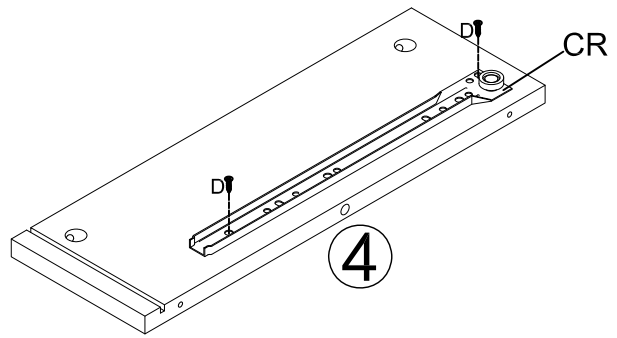
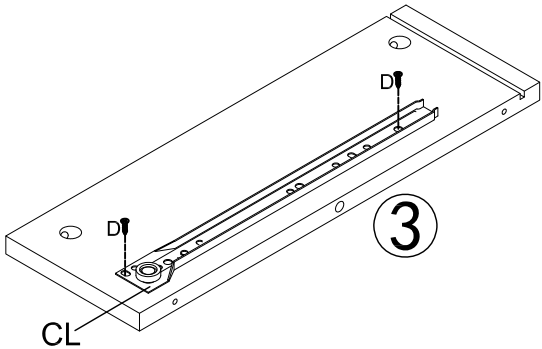
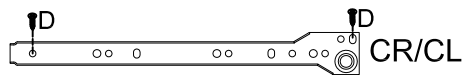
A	X6
	
M6x35mm	


9



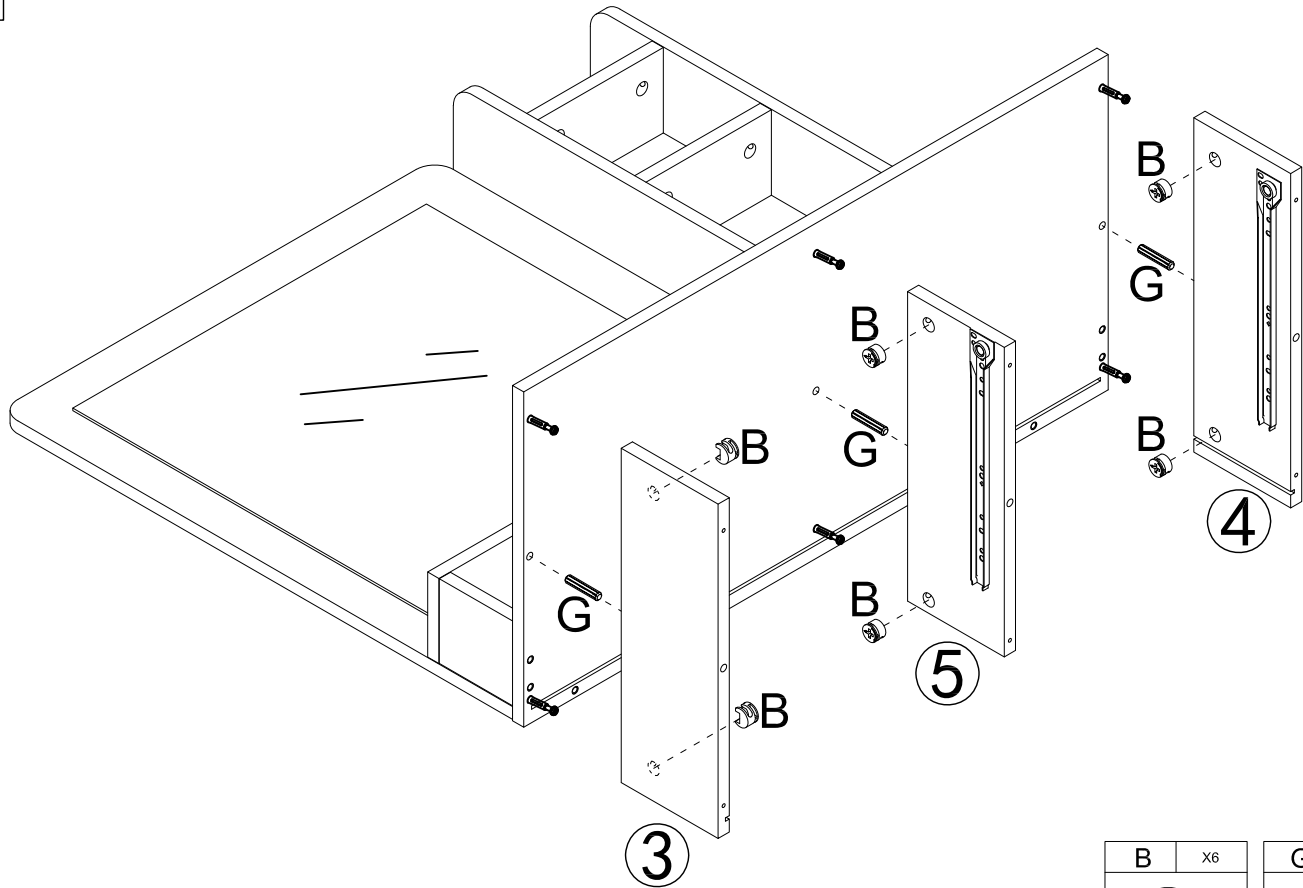
F	X9	G	X2
			
M5x40mm		Ø8x30mm	



10



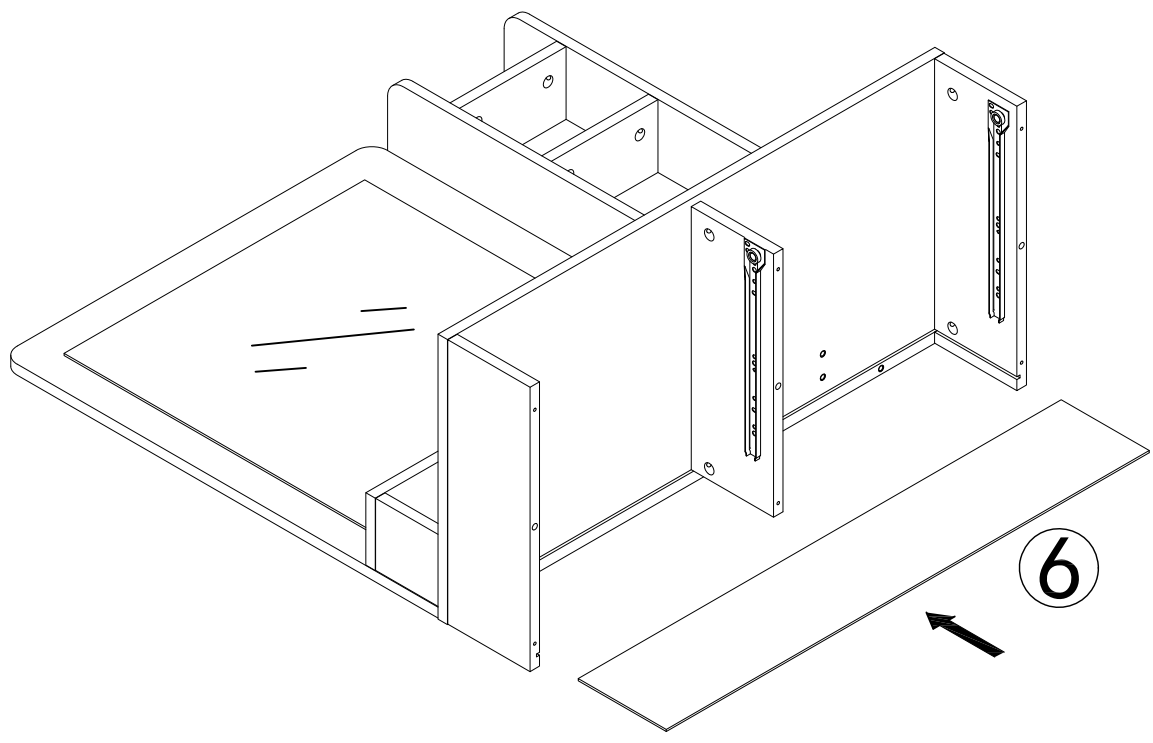
D	X8
	
M3x14mm	

11

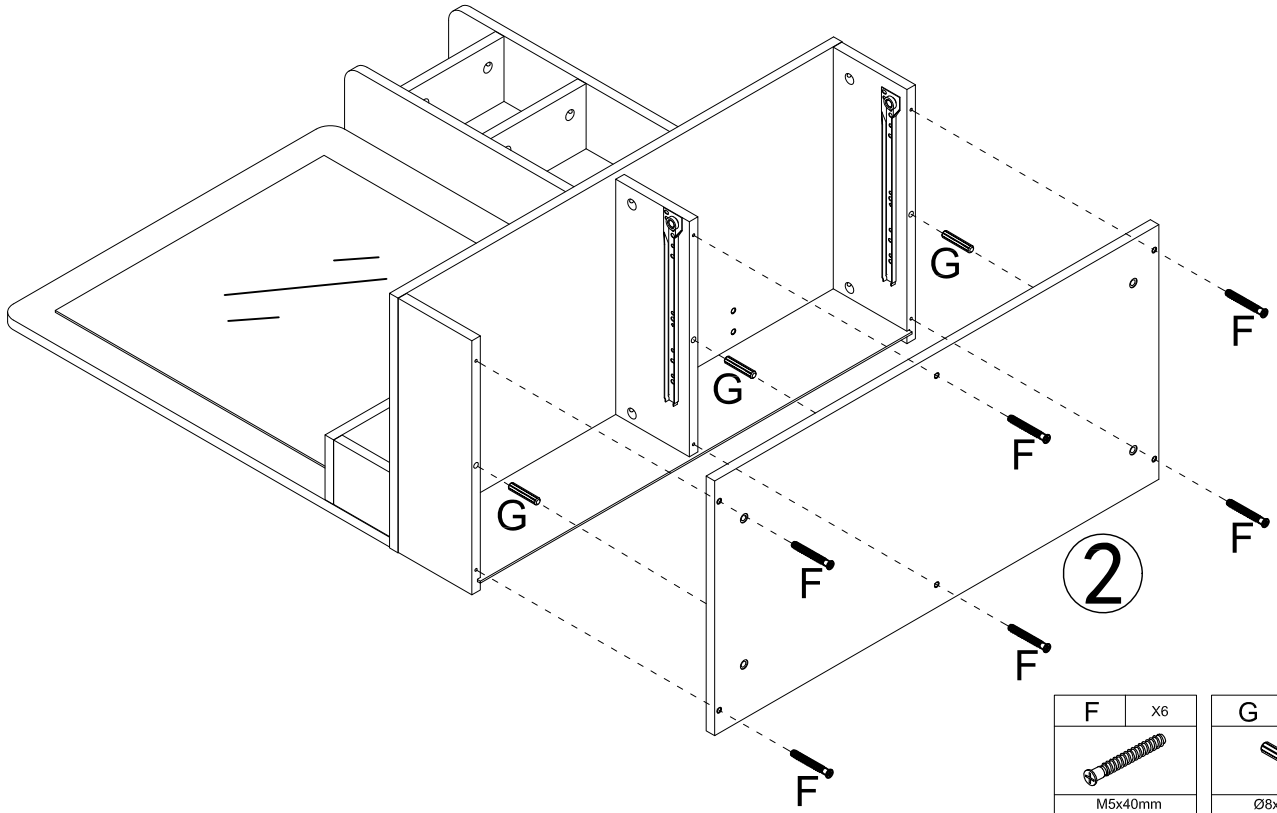


B	X6	G	X3
			
Ø15x9mm		Ø8x30mm	

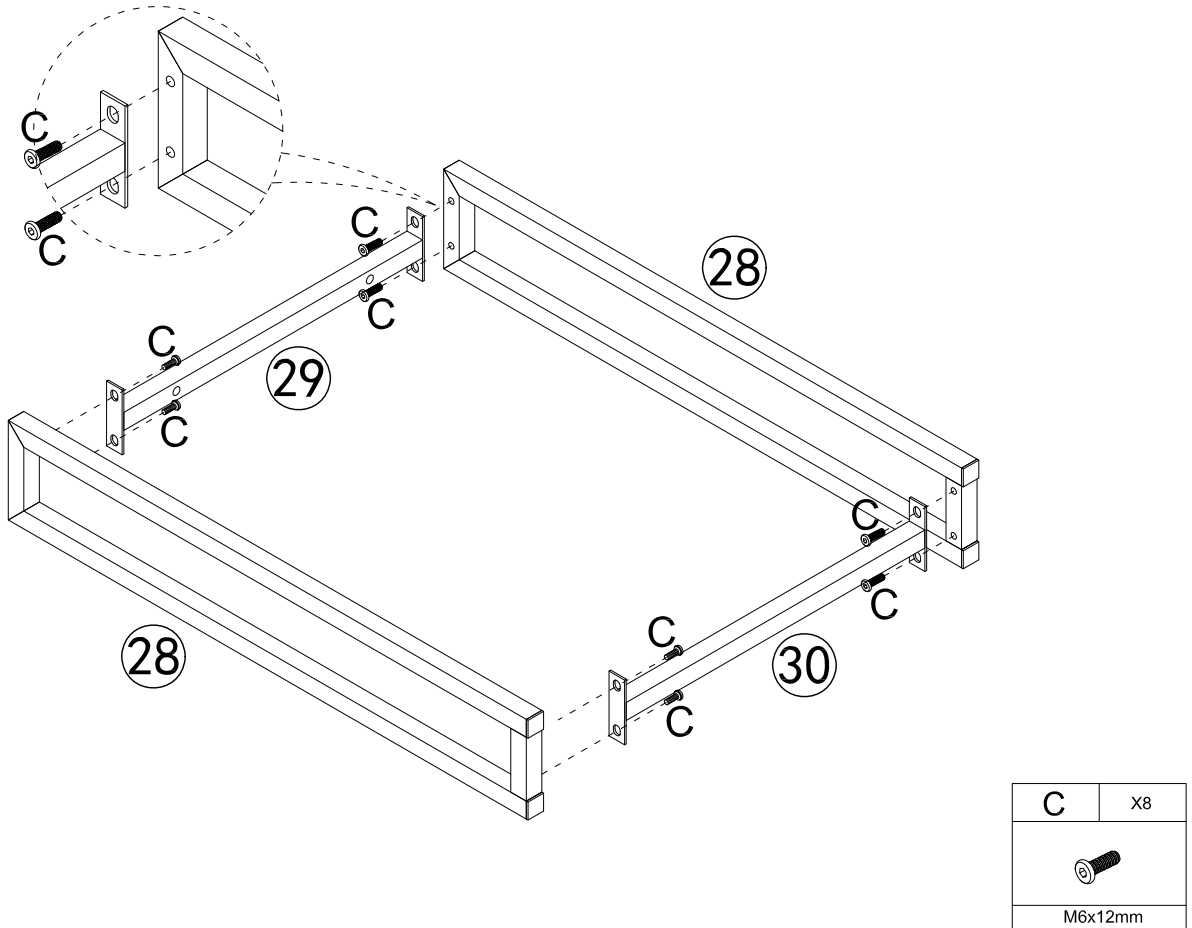
12



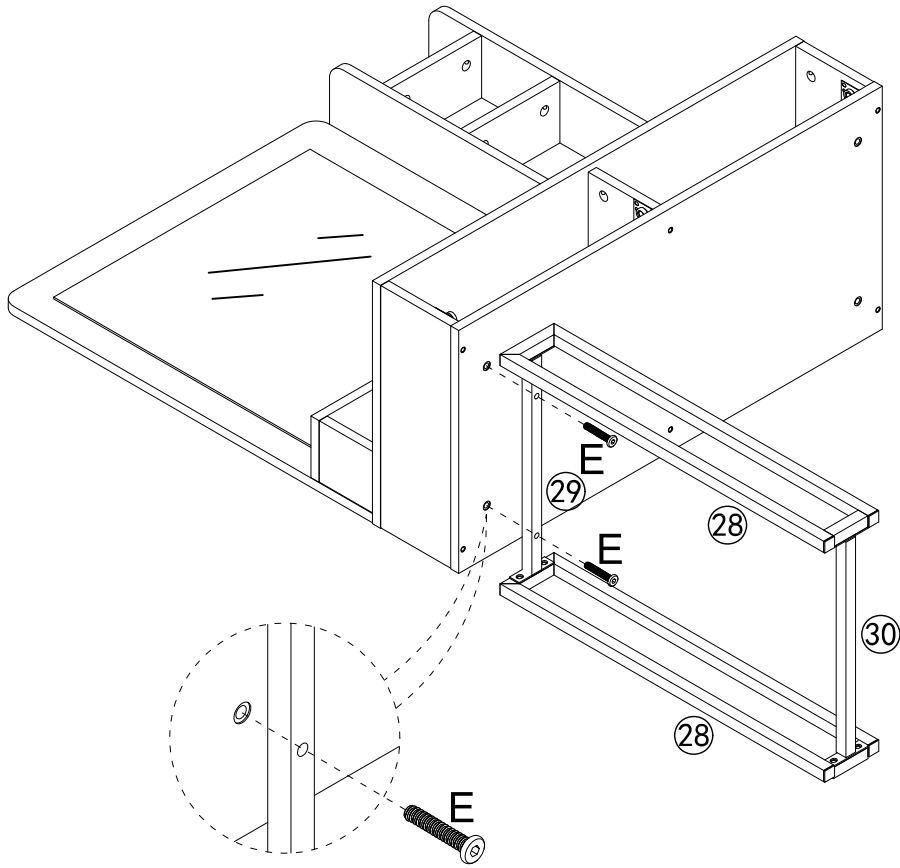
13




14

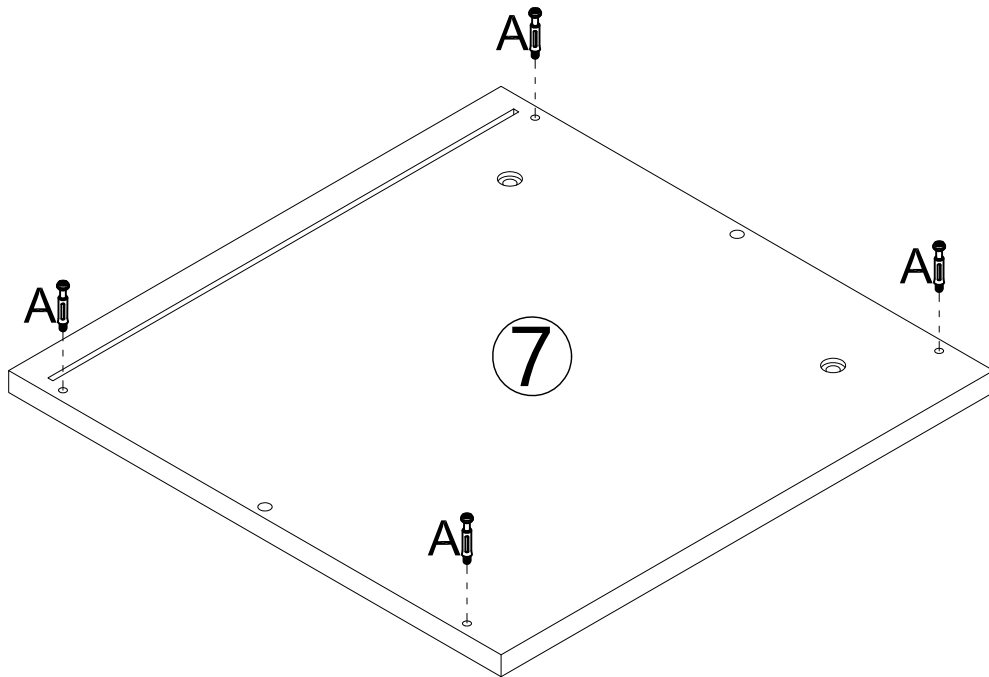



15



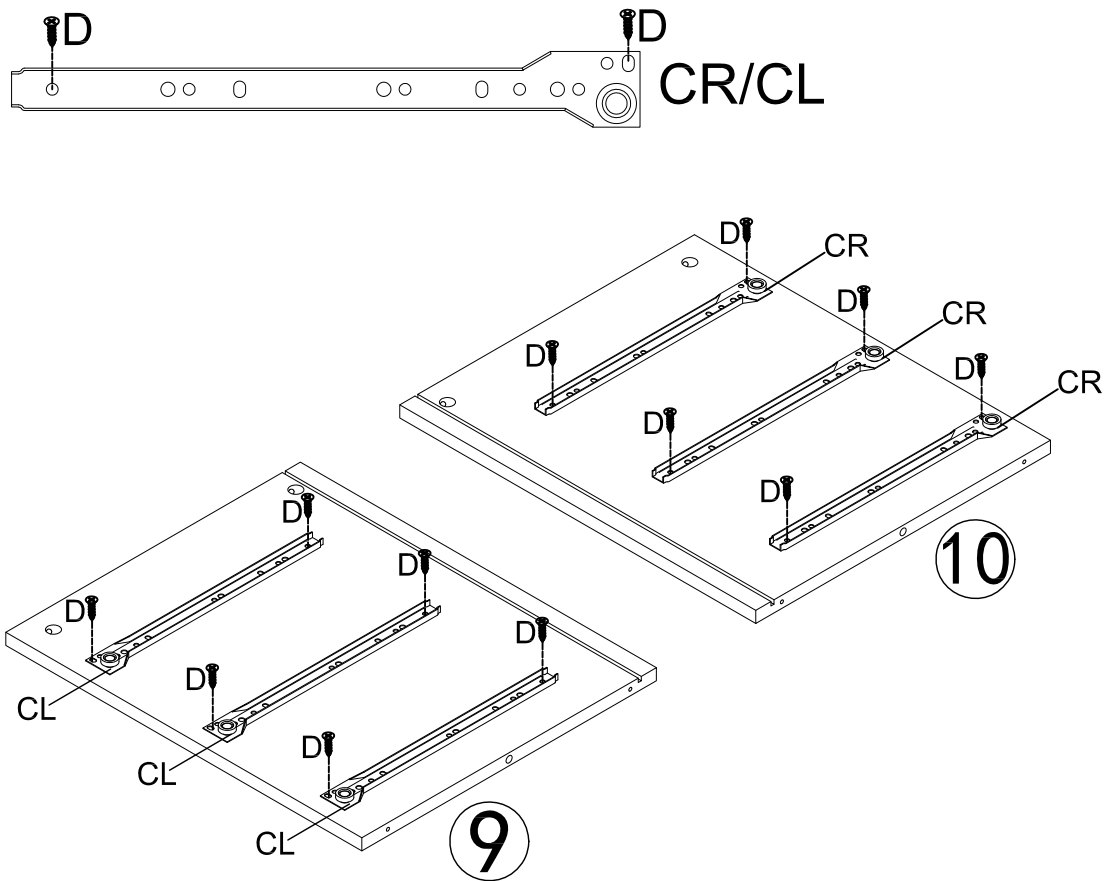
E	x2
	
M6x28mm	


16



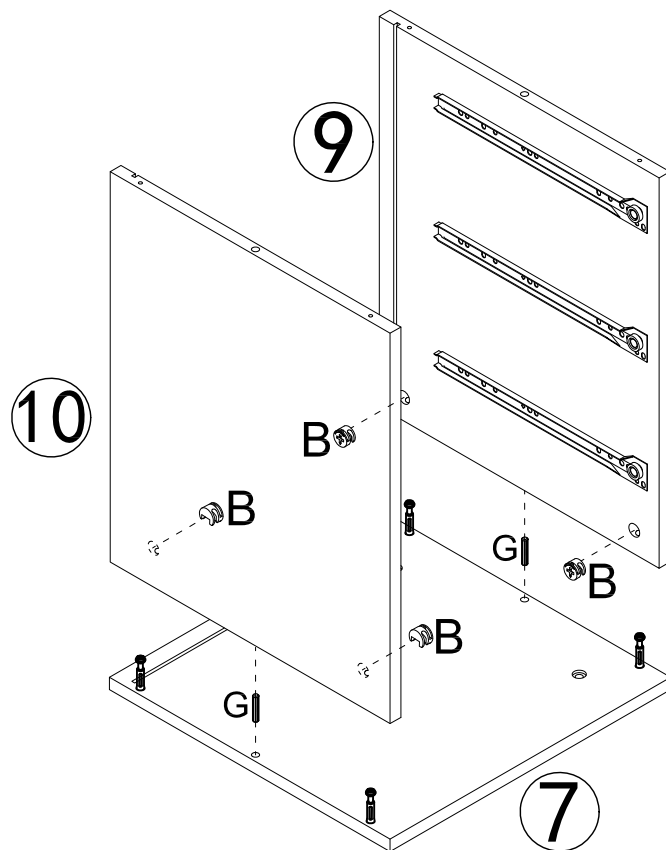
A	x4
	
M6x35mm	

17



D	X12
	
M3x14mm	

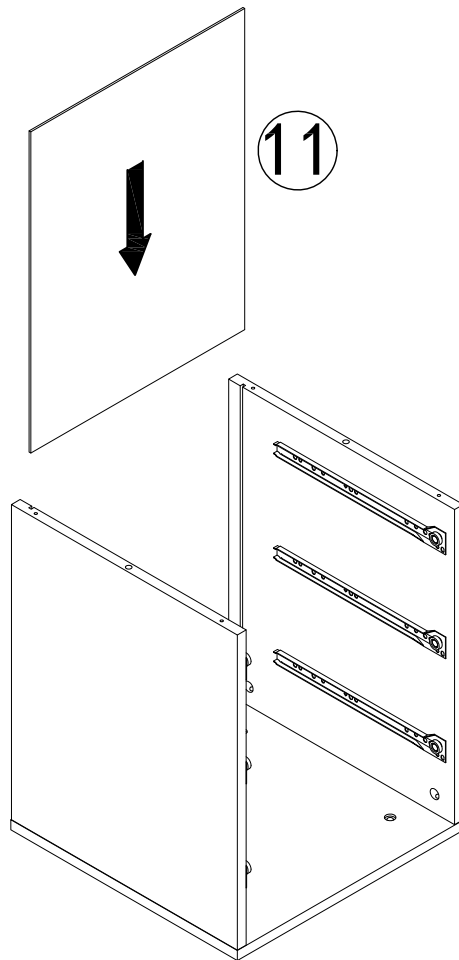
18



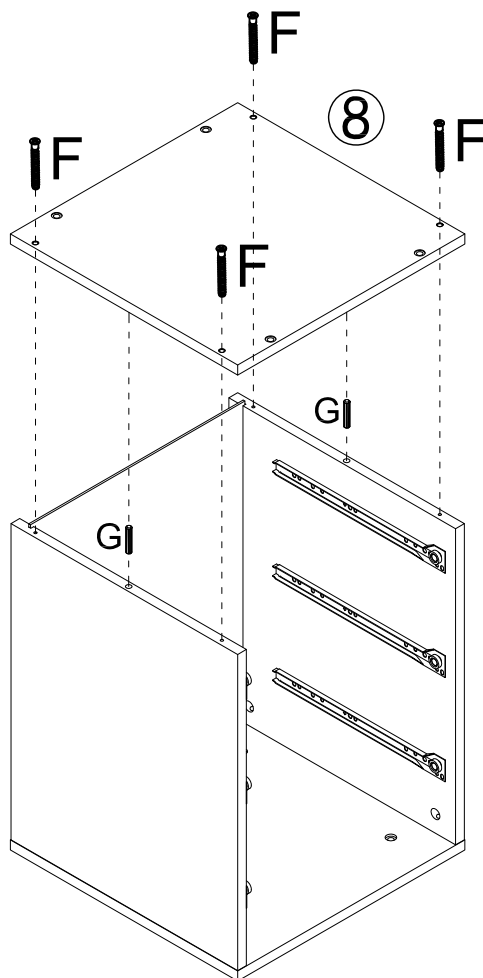
B	X4
	
Ø15x9mm	



G	X2
	
Ø8x30mm	

19

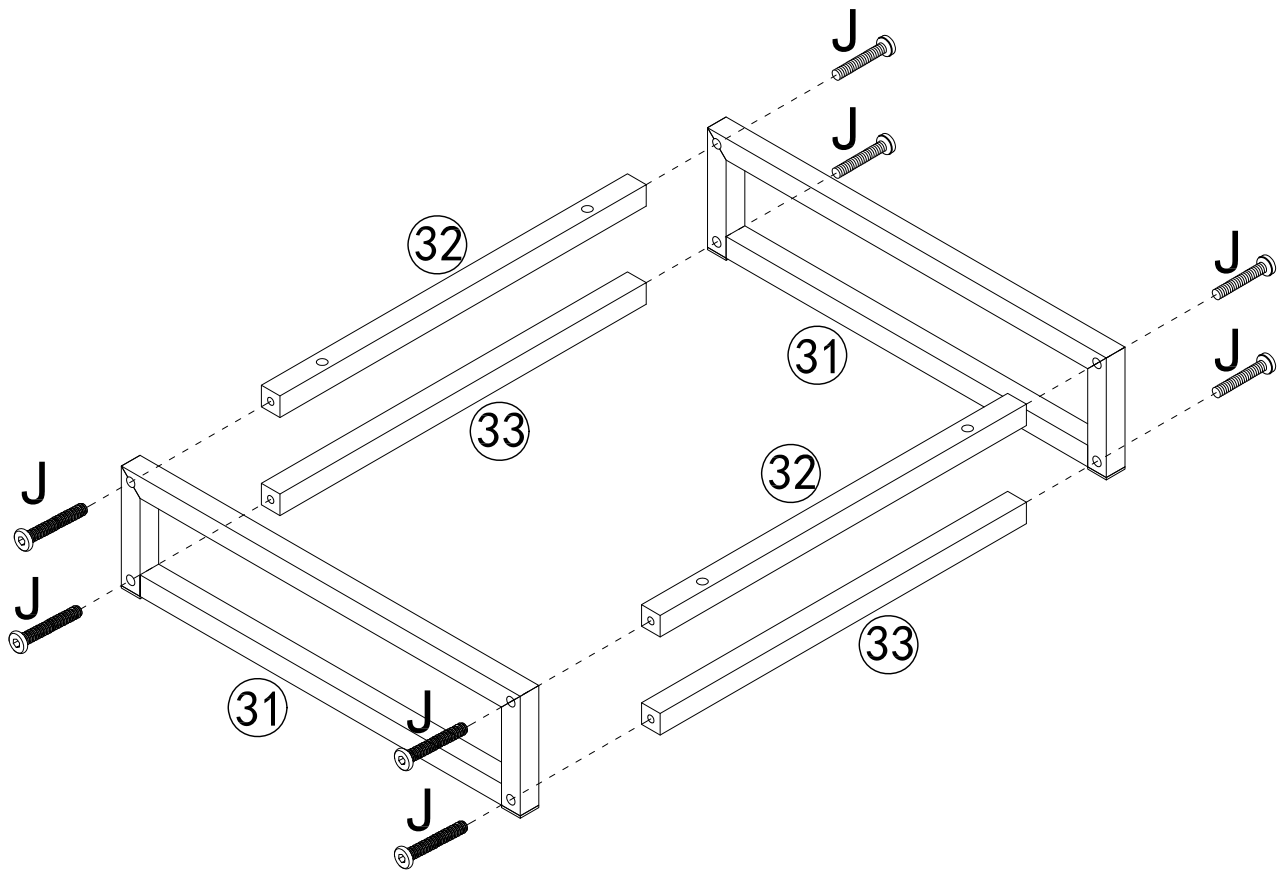



20



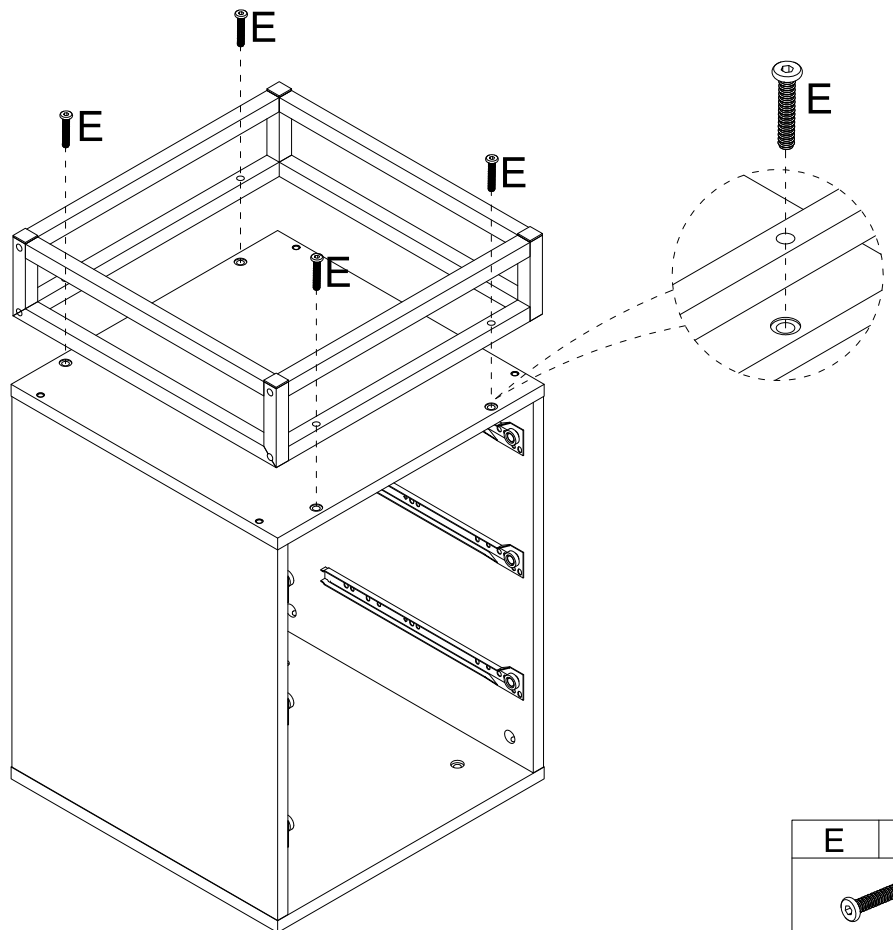
F	X4	G	X2
			
M5x40mm		Ø8x30mm	


21



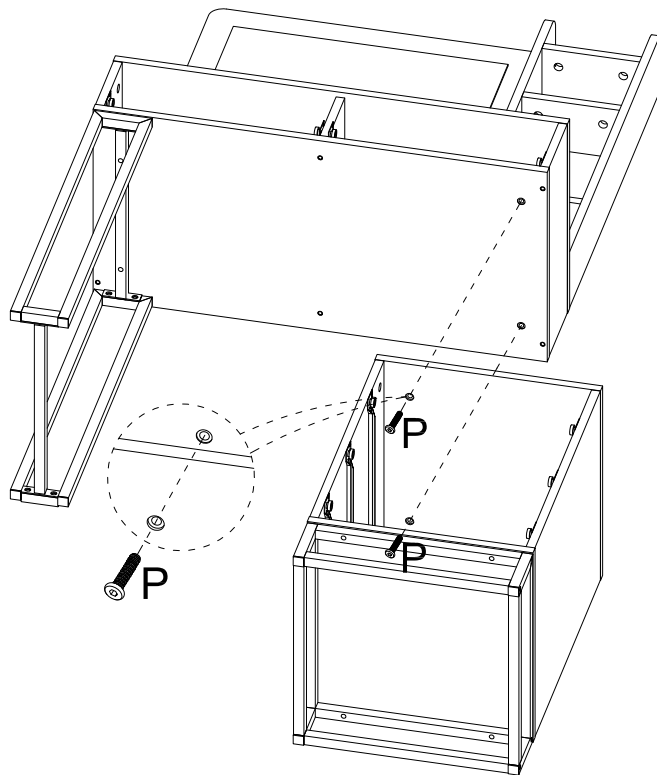
J	x4
	
M6x40mm	


22



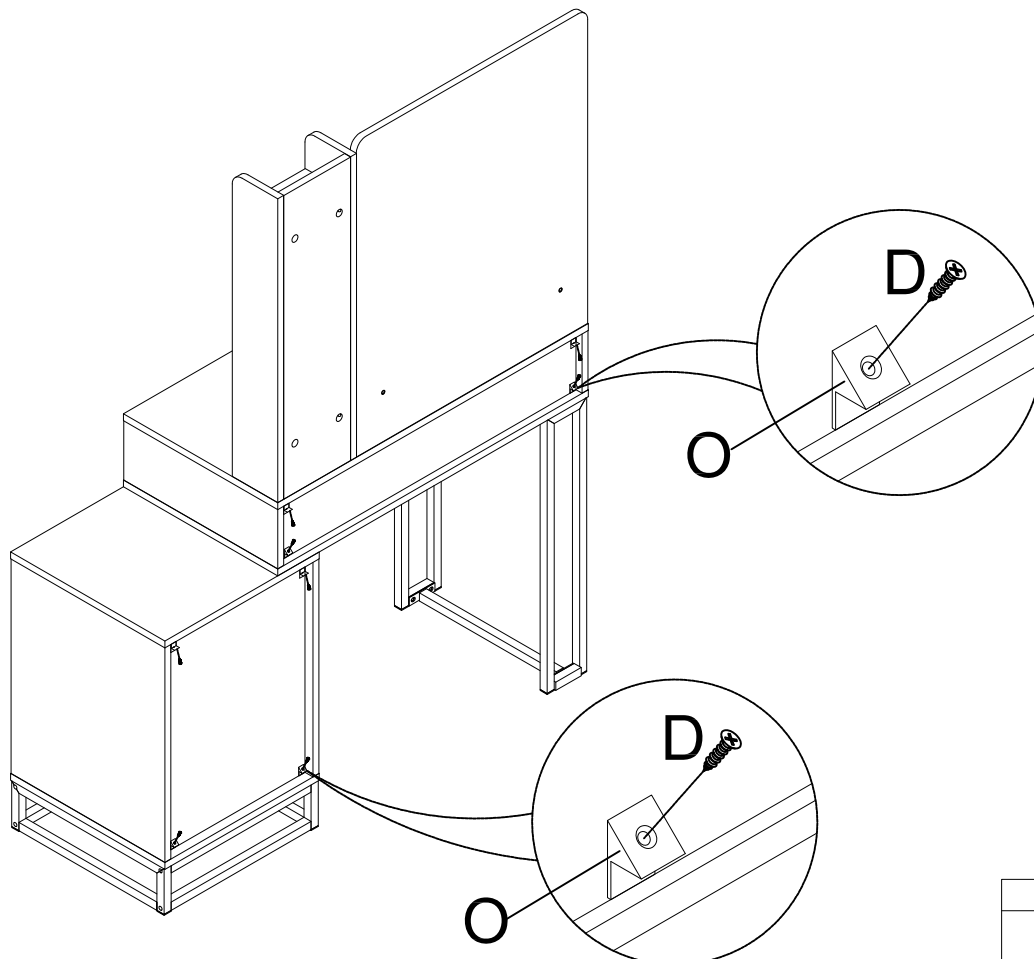
E	x4
	
M6x28mm	



23



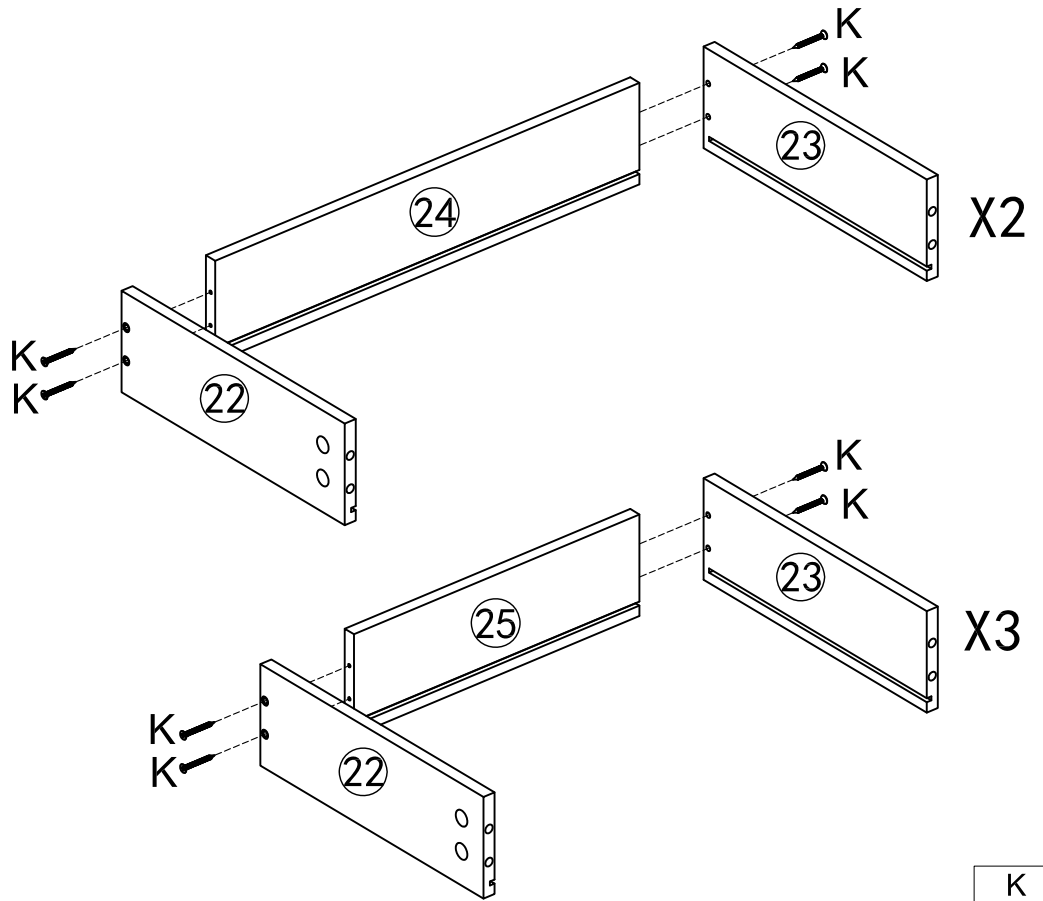
P	x2
	
M6x22mm	


24



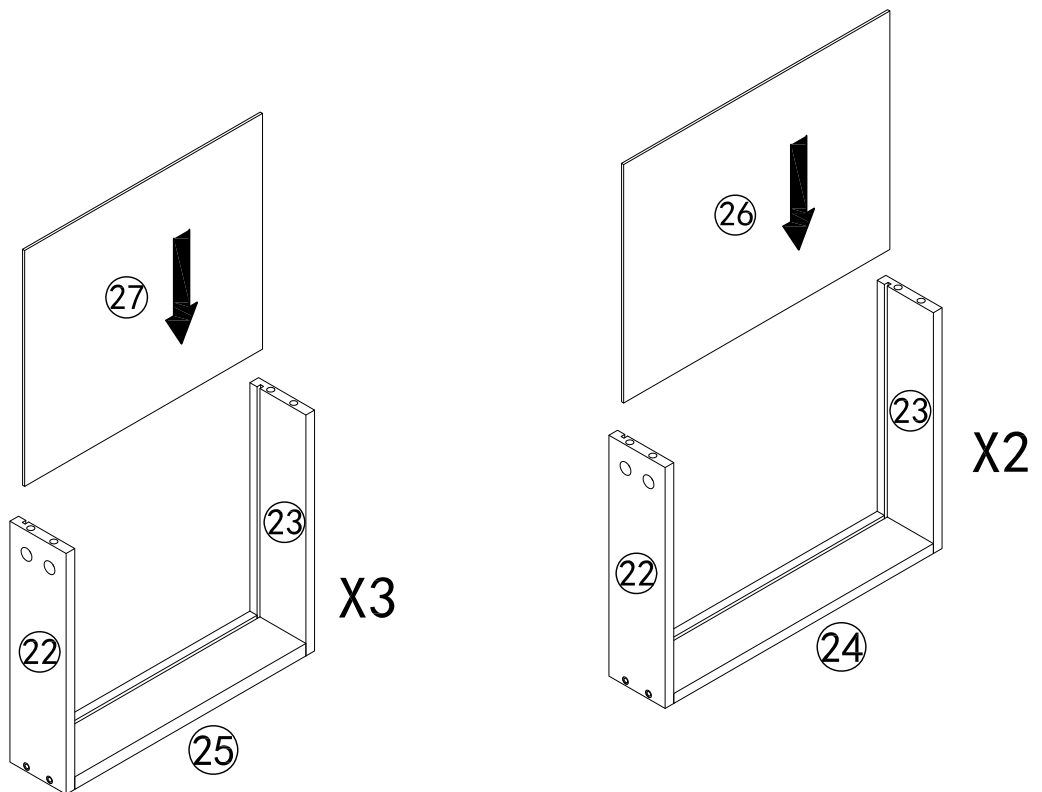
O	x8	D	x8
			
		M3x14mm	

25

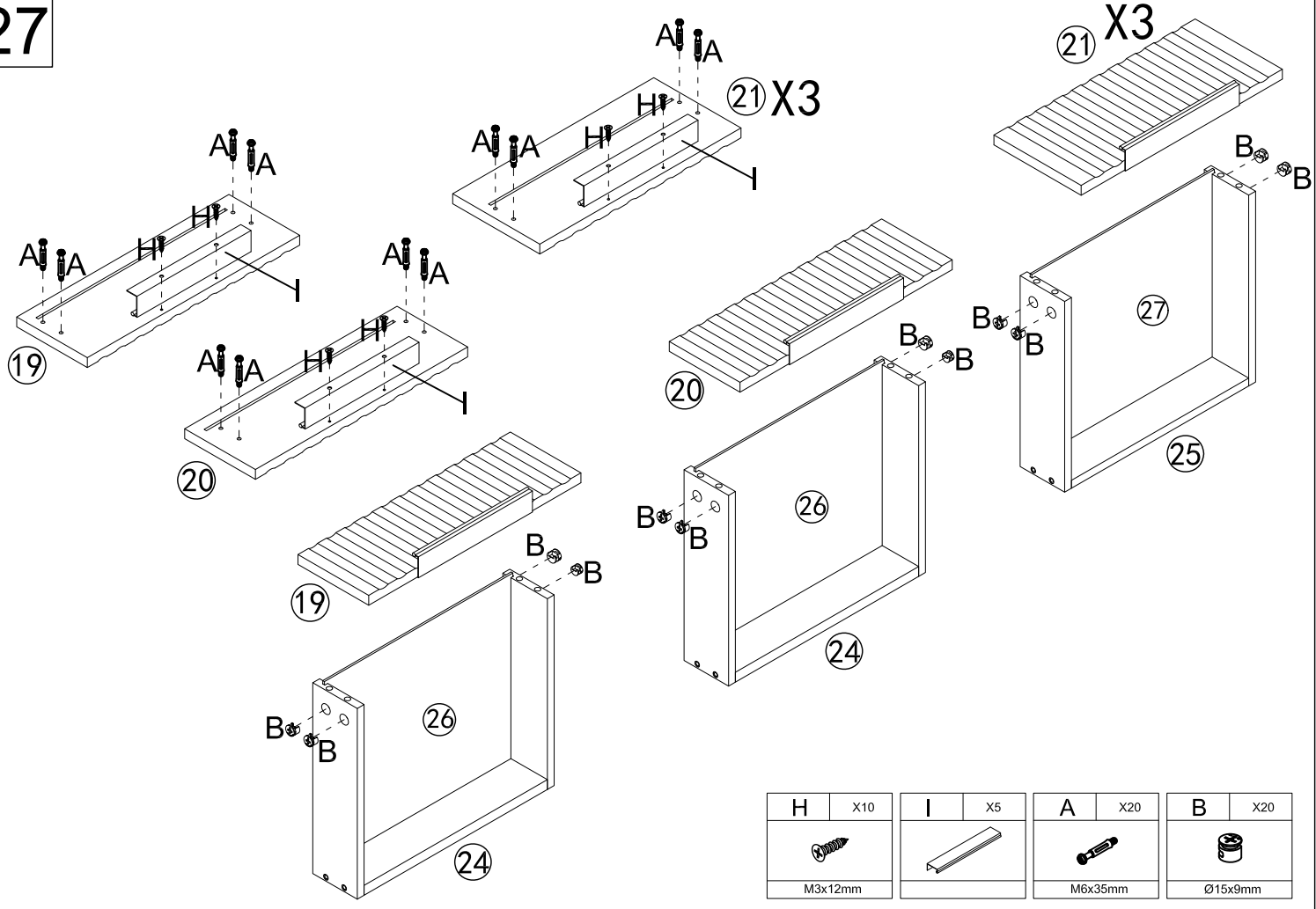


K	X20
	
M4x35mm	

26

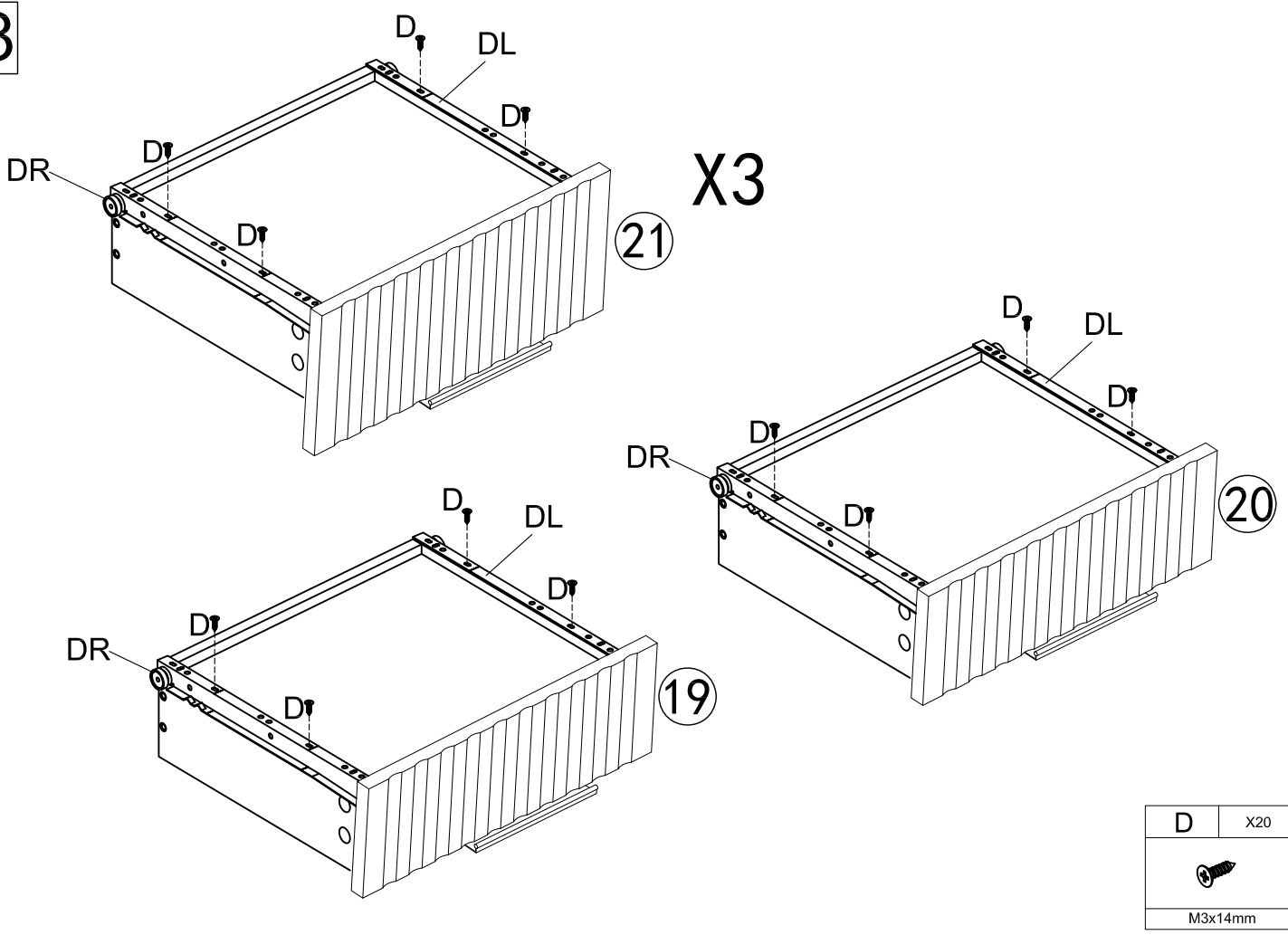


27



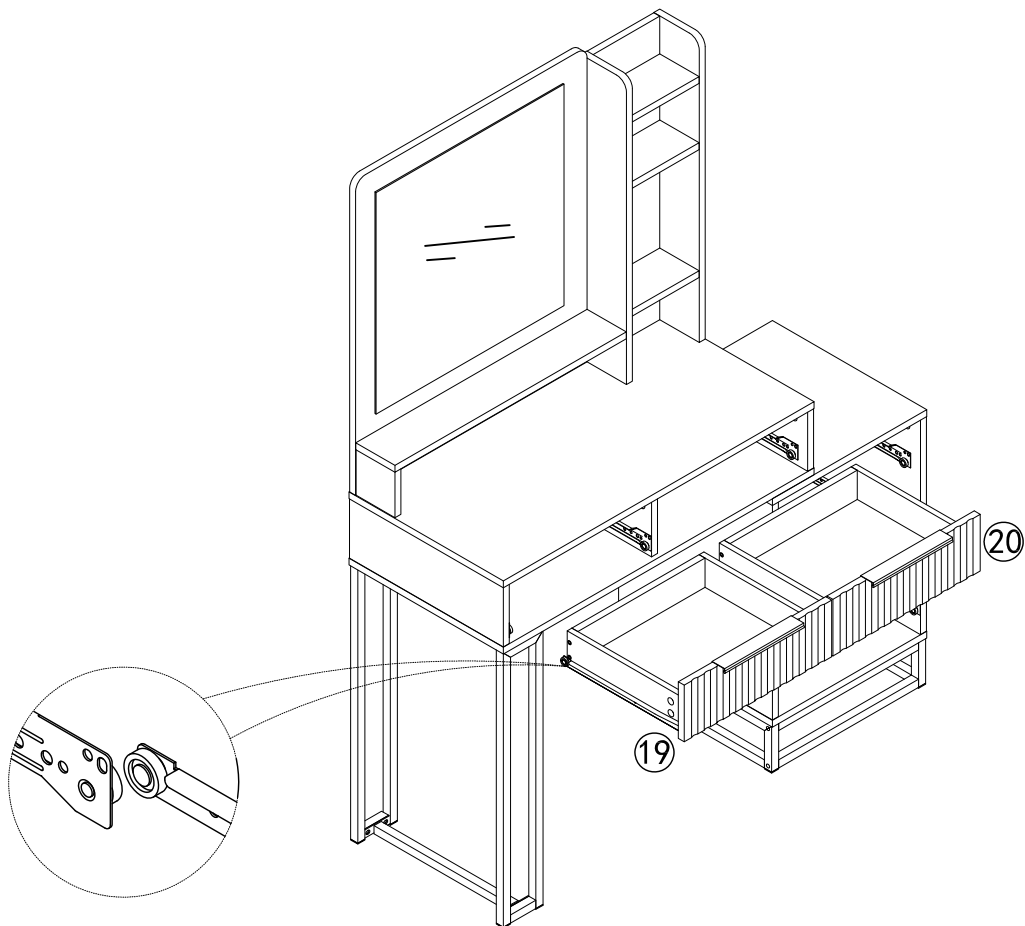
H	X10	I	X5	A	X20	B	X20
M3x12mm				M6x35mm		Ø15x9mm	

28

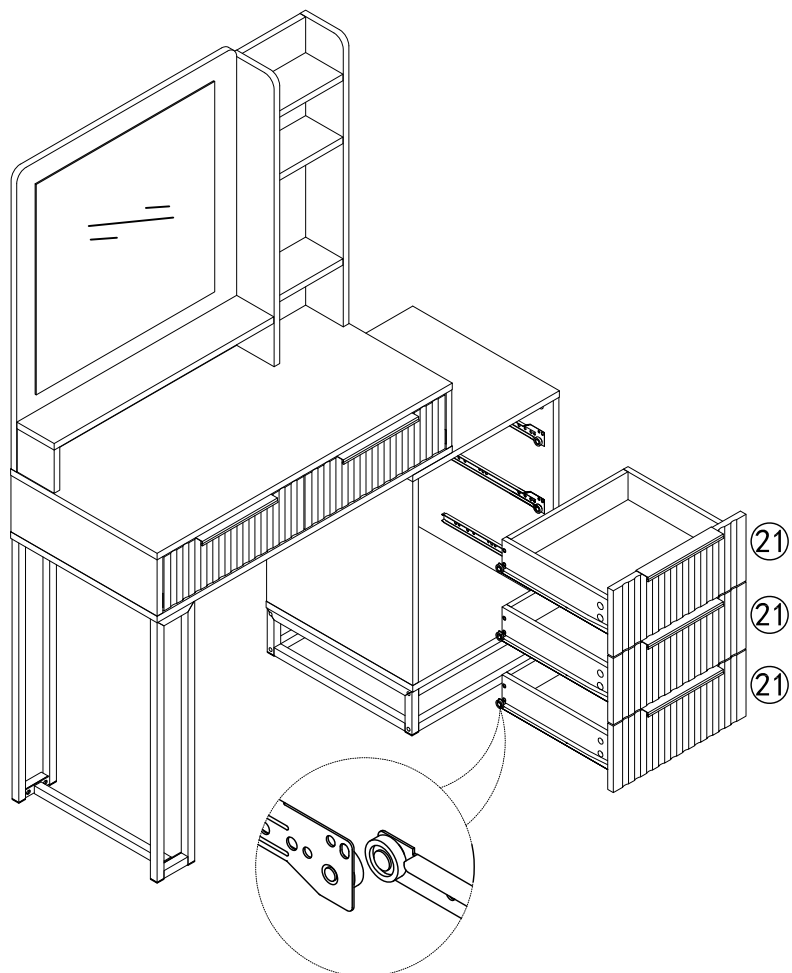


D	X20
M3x14mm	

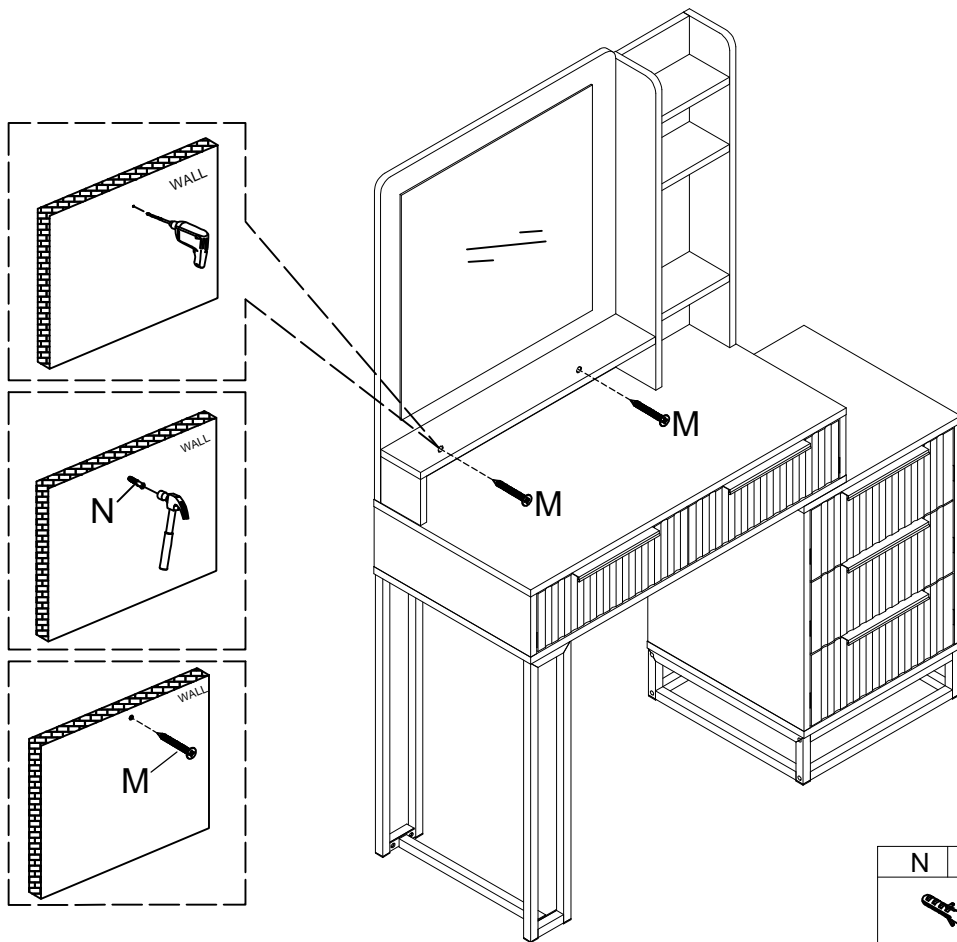
29





30



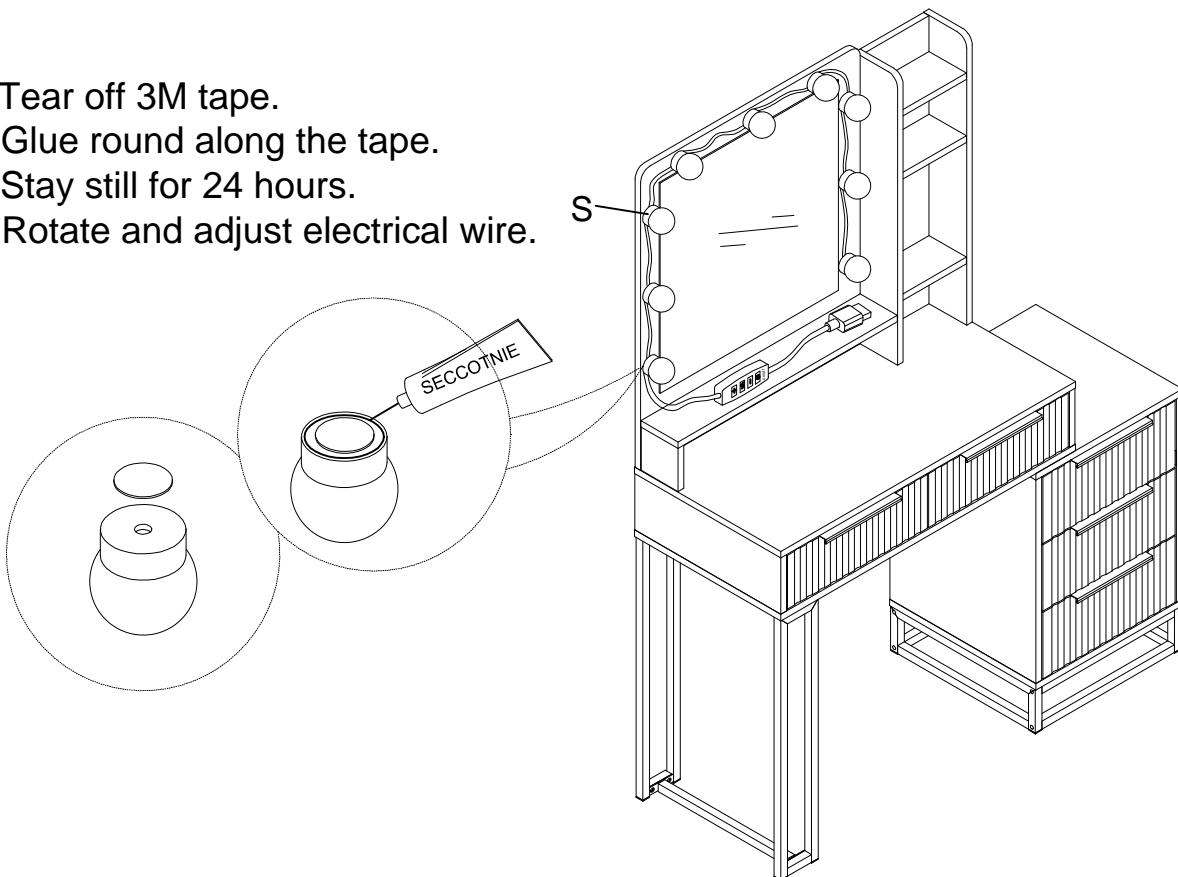
31



N	x2	M	x2
			
Ø6x30mm		M4x50mm	

32

1. Tear off 3M tape.
2. Glue round along the tape.
3. Stay still for 24 hours.
4. Rotate and adjust electrical wire.



S	x1
