














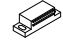



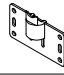
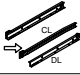
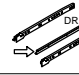
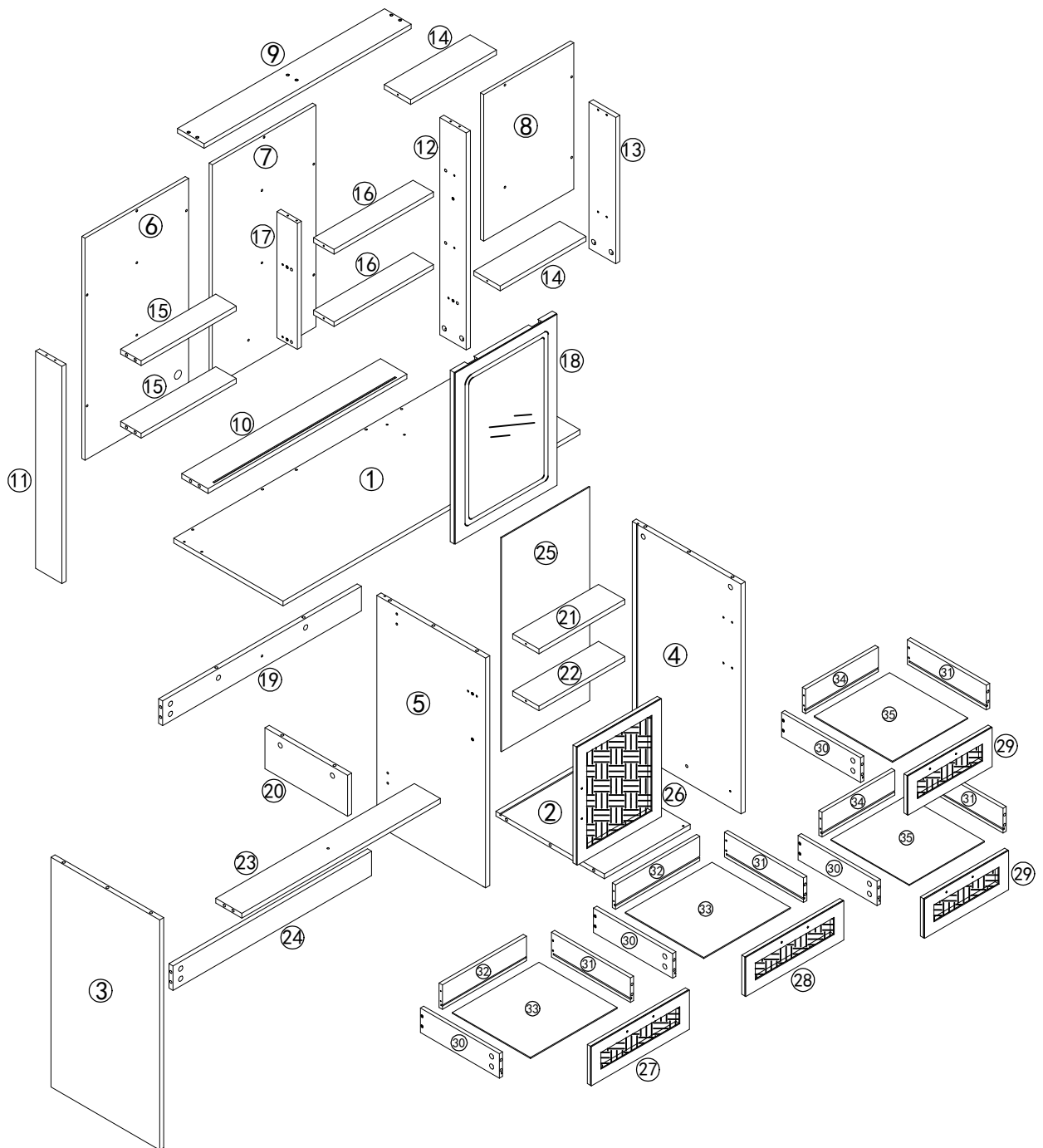
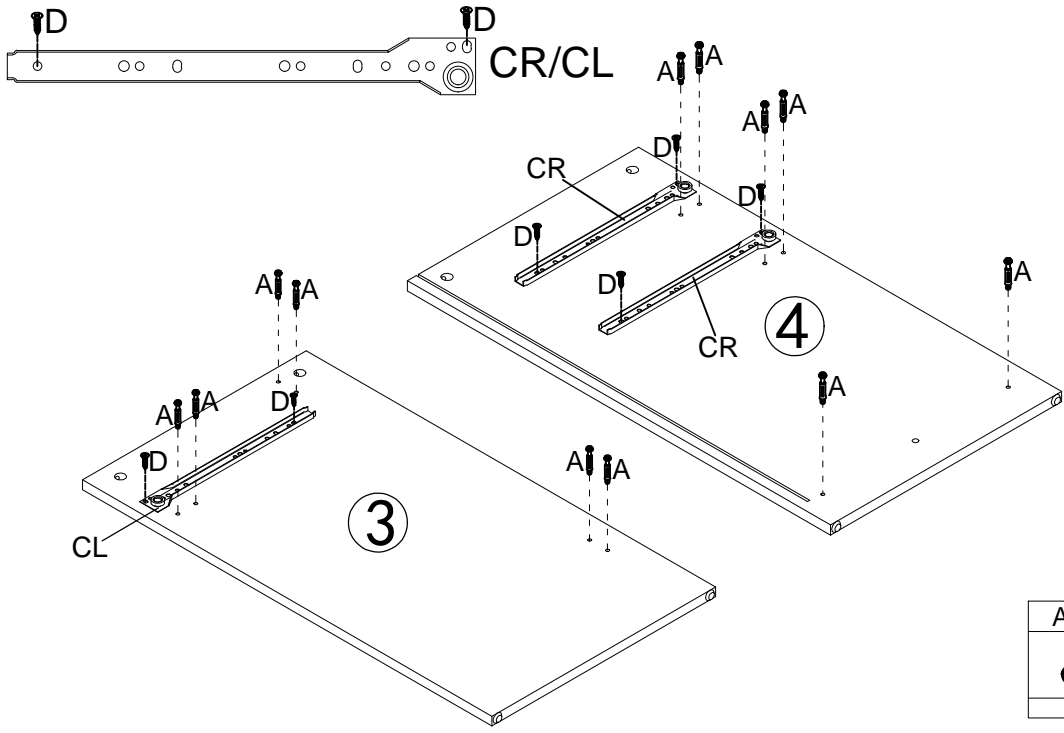



Assembly Instruction


A	X60	B	X60	C	X4	D	X32	E	X1	F	X42	G	X13	H	X10
															
M6x35mm		Ø15x9mm				M3x14mm		4mm		M5x40mm		Ø8x30mm		M4x18mm	
I	X5	J	X16	K	X16	M	X2	N	X2	O	X2	P	X8	Q	X1
															
		M3x14mm		M4x35mm		M4x50mm		Ø6x30mm				M4x14			
S	X1	T	X1	U	X2	V	X2	L	X4	R	X4				
															



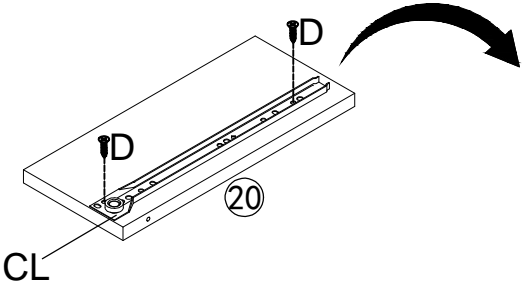
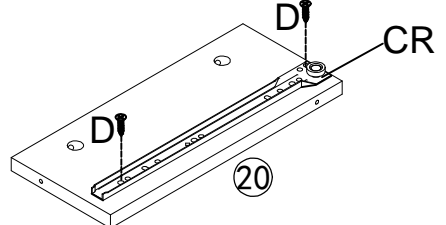
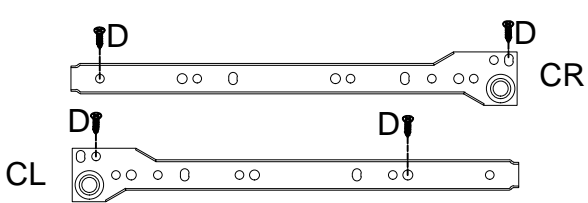
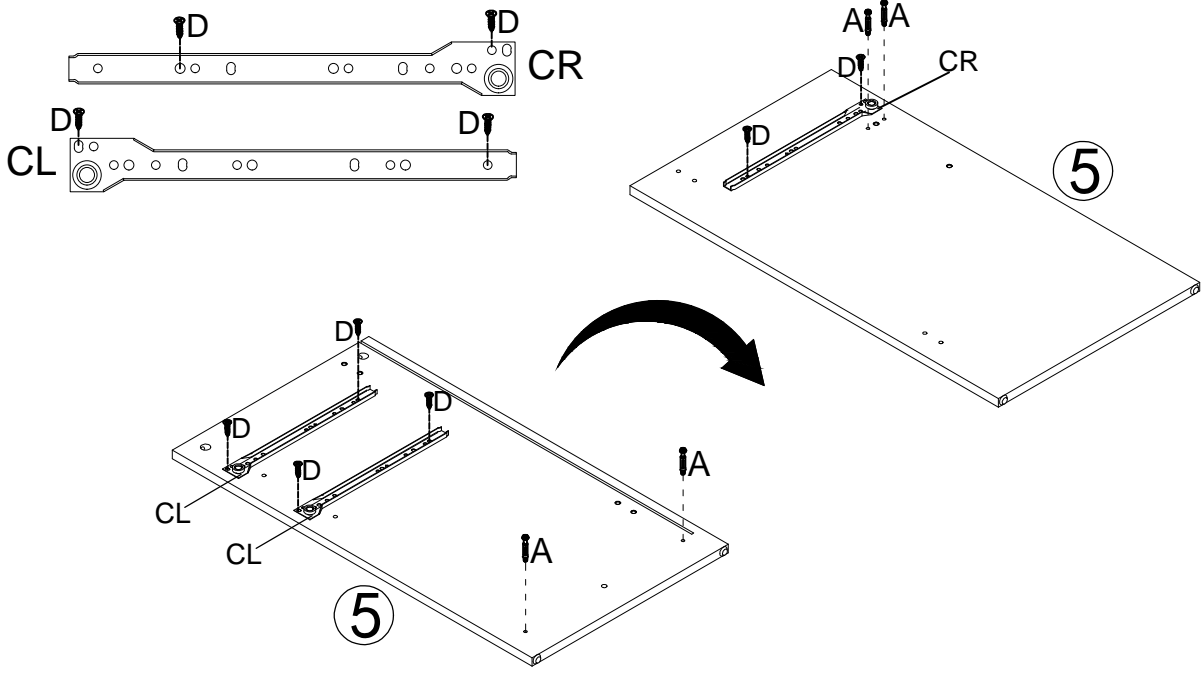
1





A	X12
	
M6x35mm	

D	X6
	
M3x14mm	

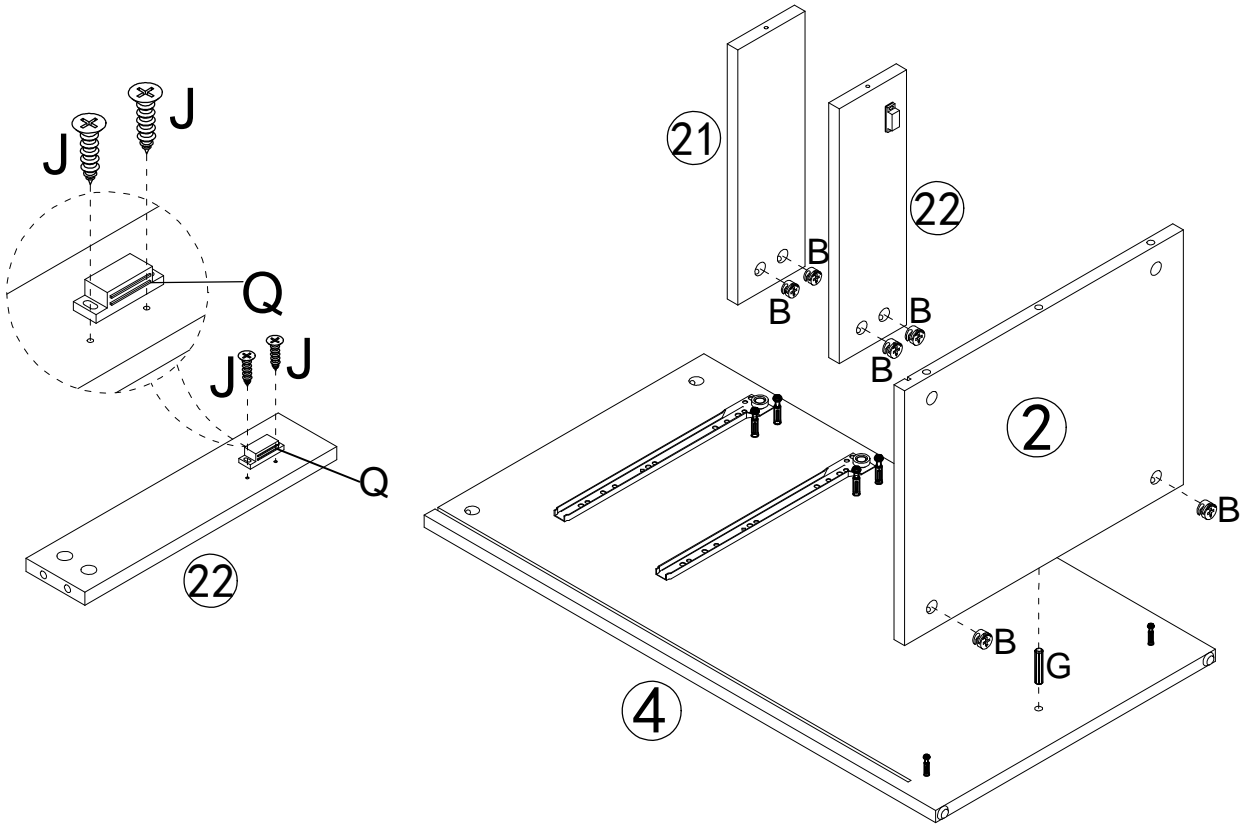
2



A	X4
	
M6x35mm	

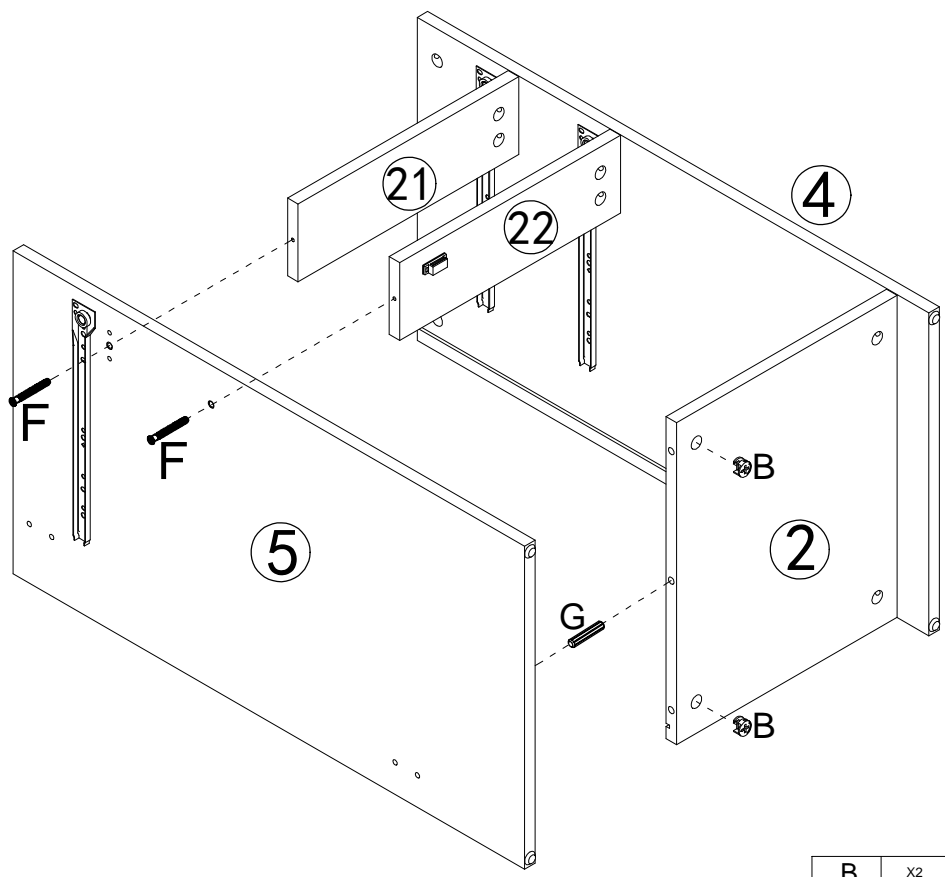
D	X10
	
M3x14mm	

3



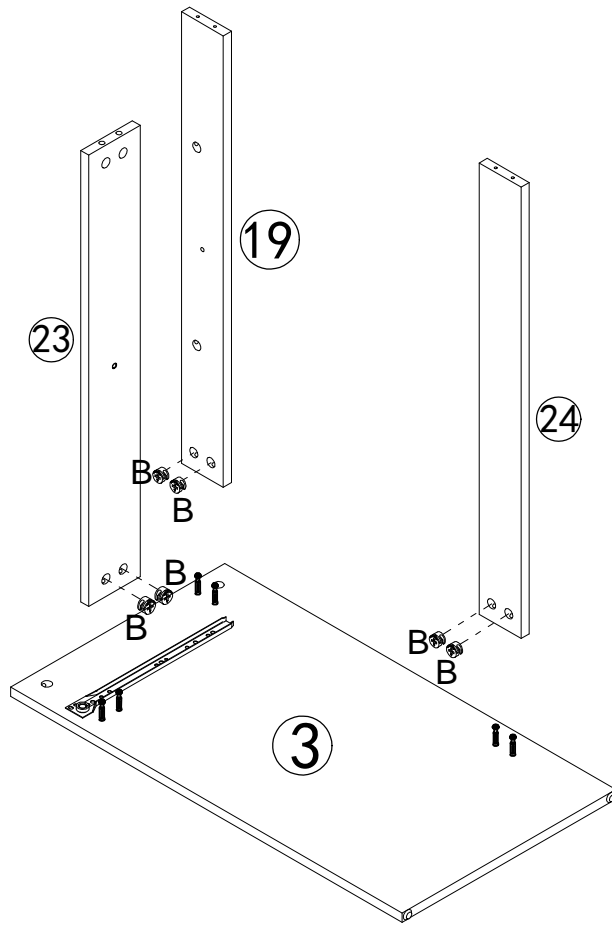
B	X6	G	X1	J	X2	Q	X1
Ø15x9mm		Ø8x30mm		M3x14mm			


4



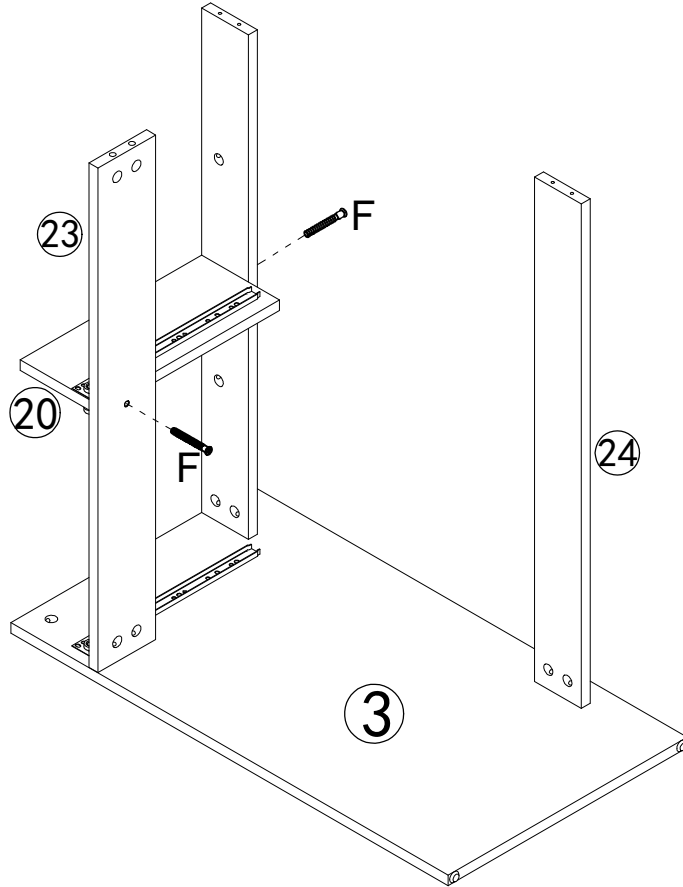
B	X2	G	X1	F	X2
Ø15x9mm		Ø8x30mm		M5x40mm	


5



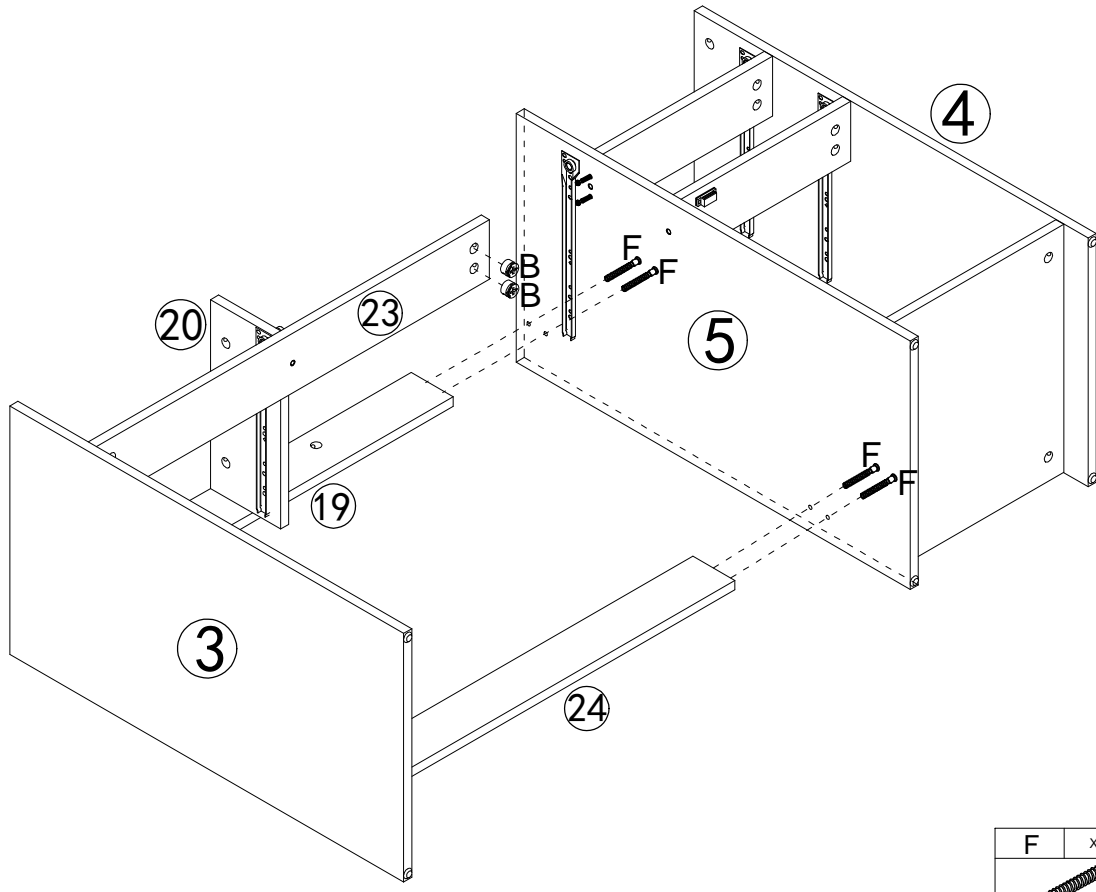
B	X6
	
Ø15x9mm	

6




F	X2
	
M5x40mm	

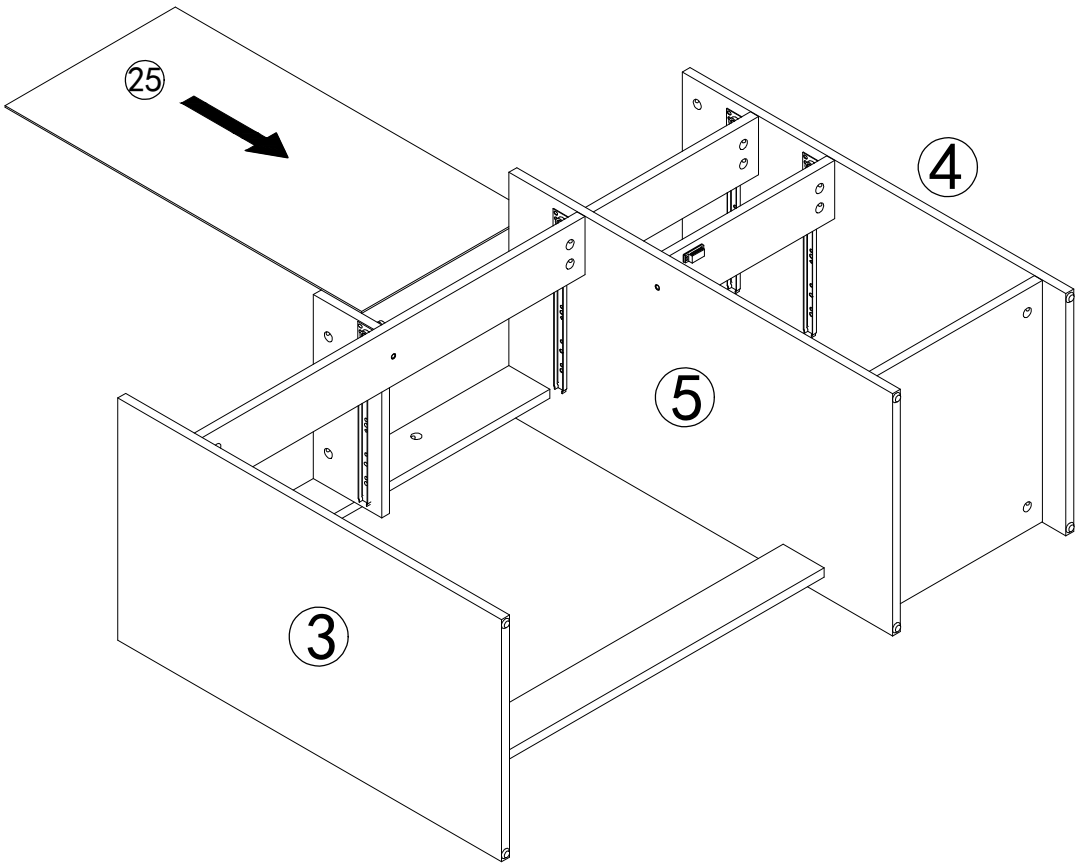
7



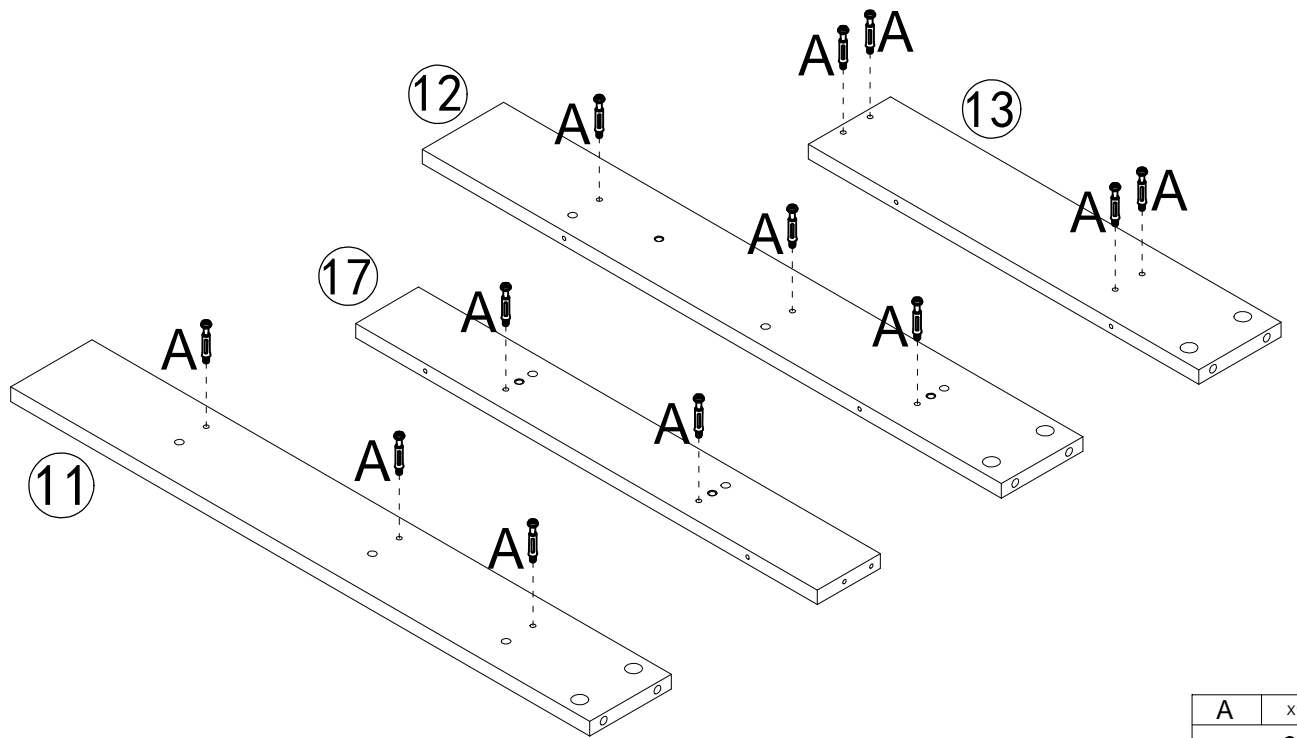
F	X4
	
M5x40mm	


B	X2
	
Ø15x9mm	

8

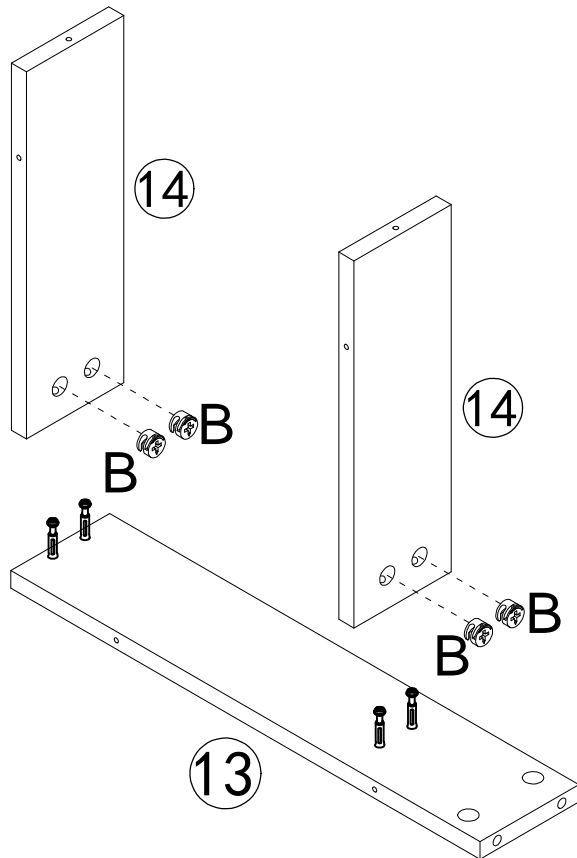



9



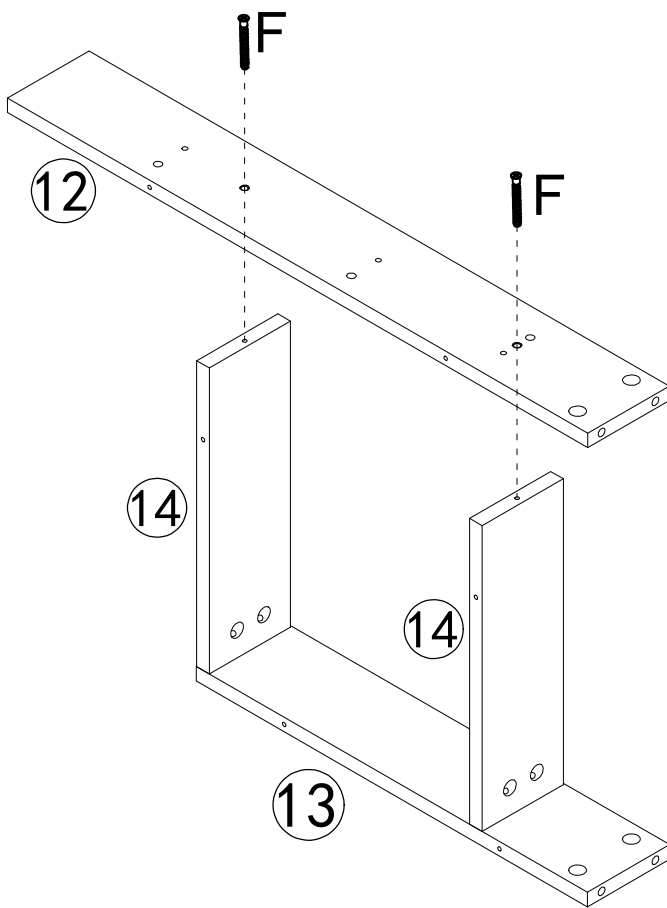
A	x12
	
M6x35mm	


10



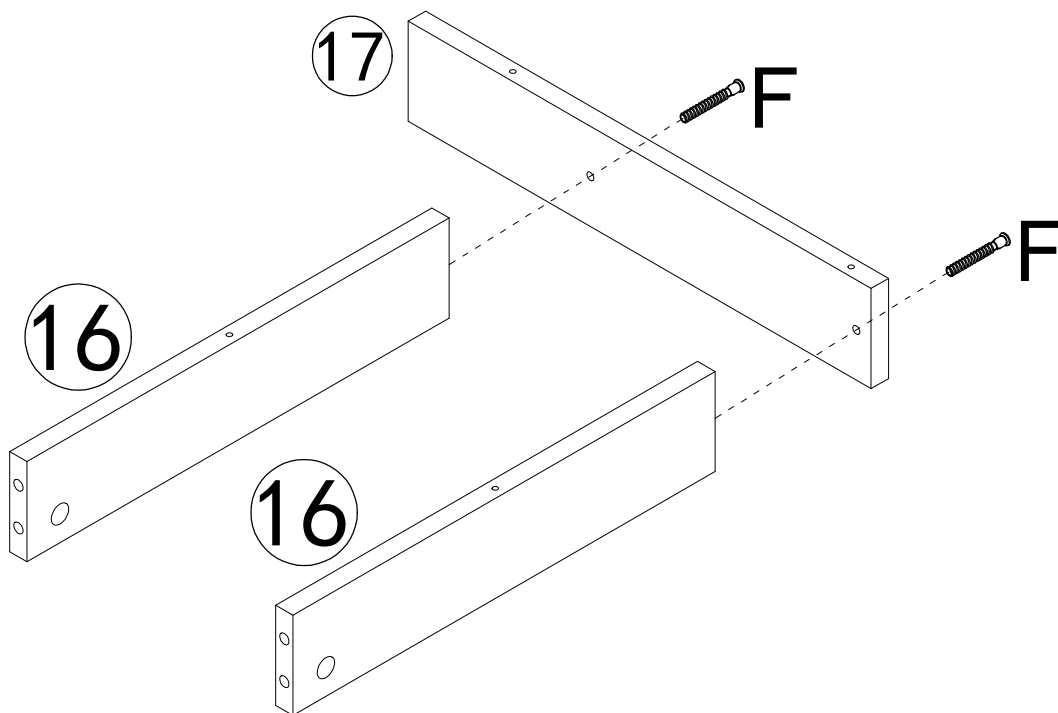
B	x4
	
Ø15x9mm	


11



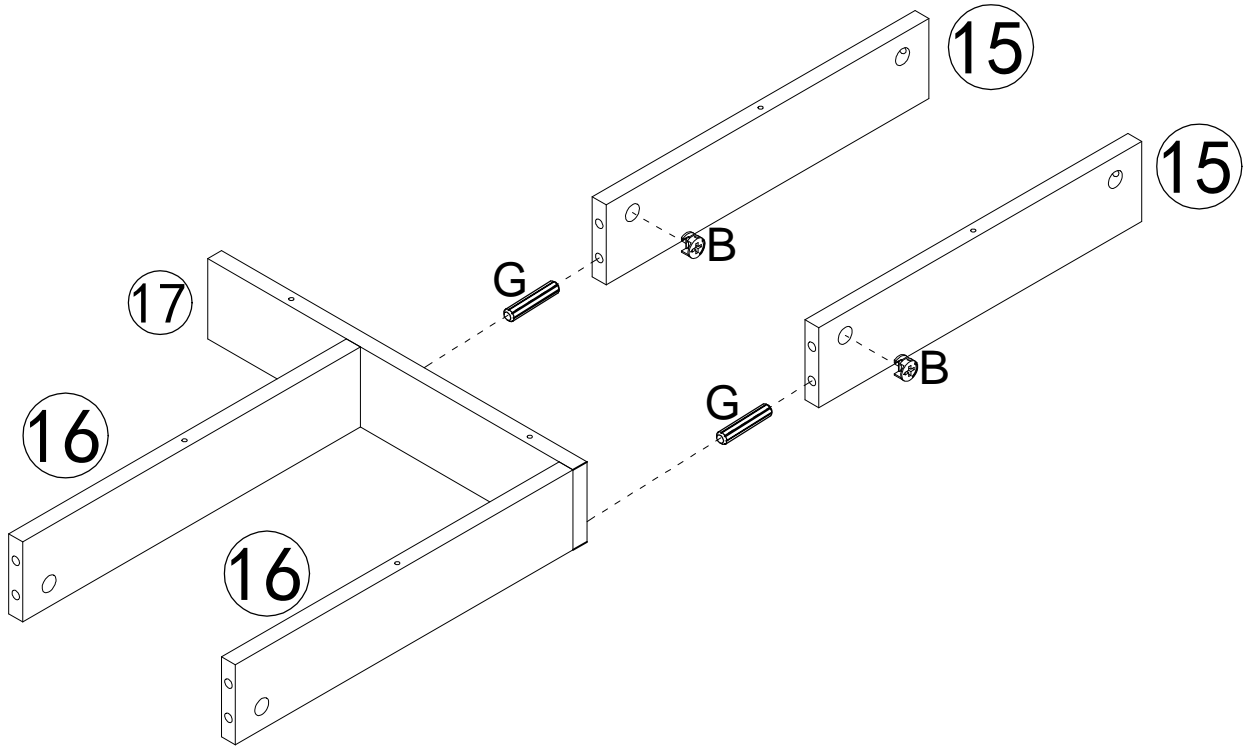
F	x2
	
M5x40mm	



12



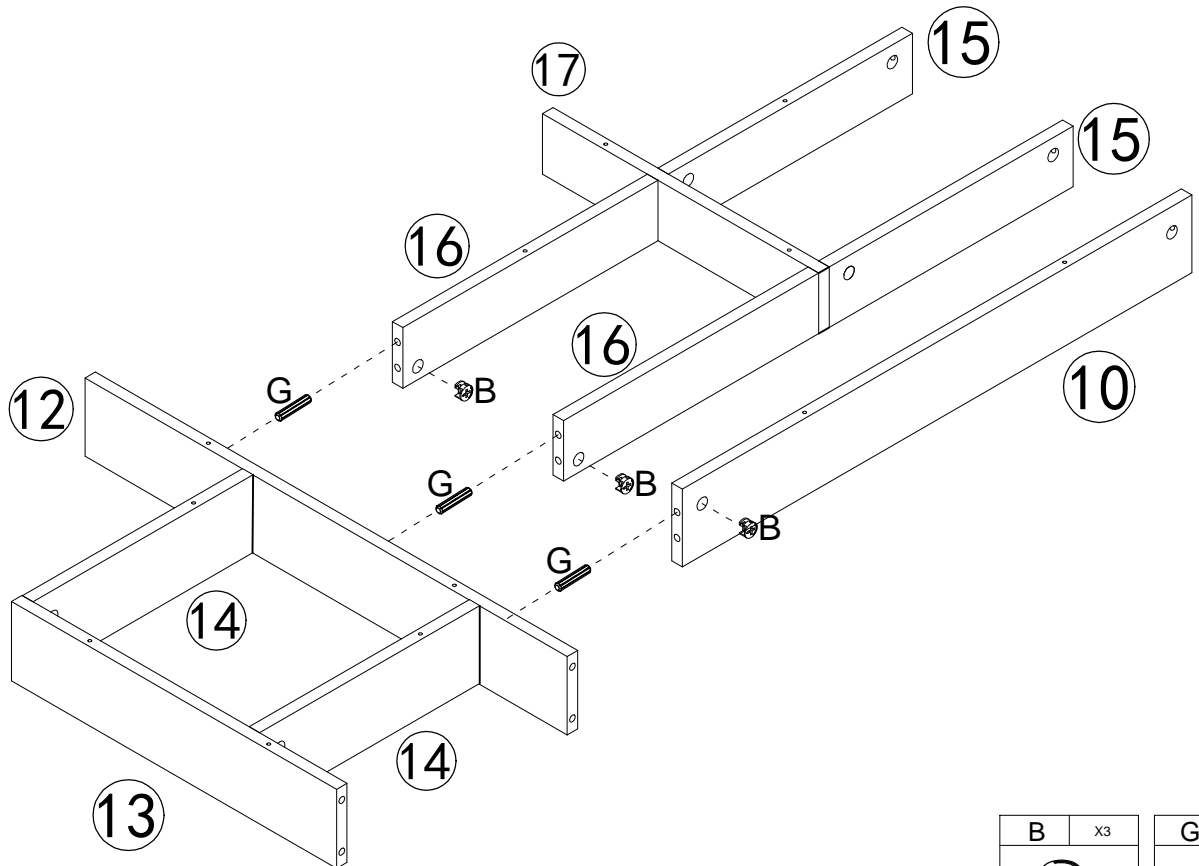
F	x2
	
M5x40mm	



13



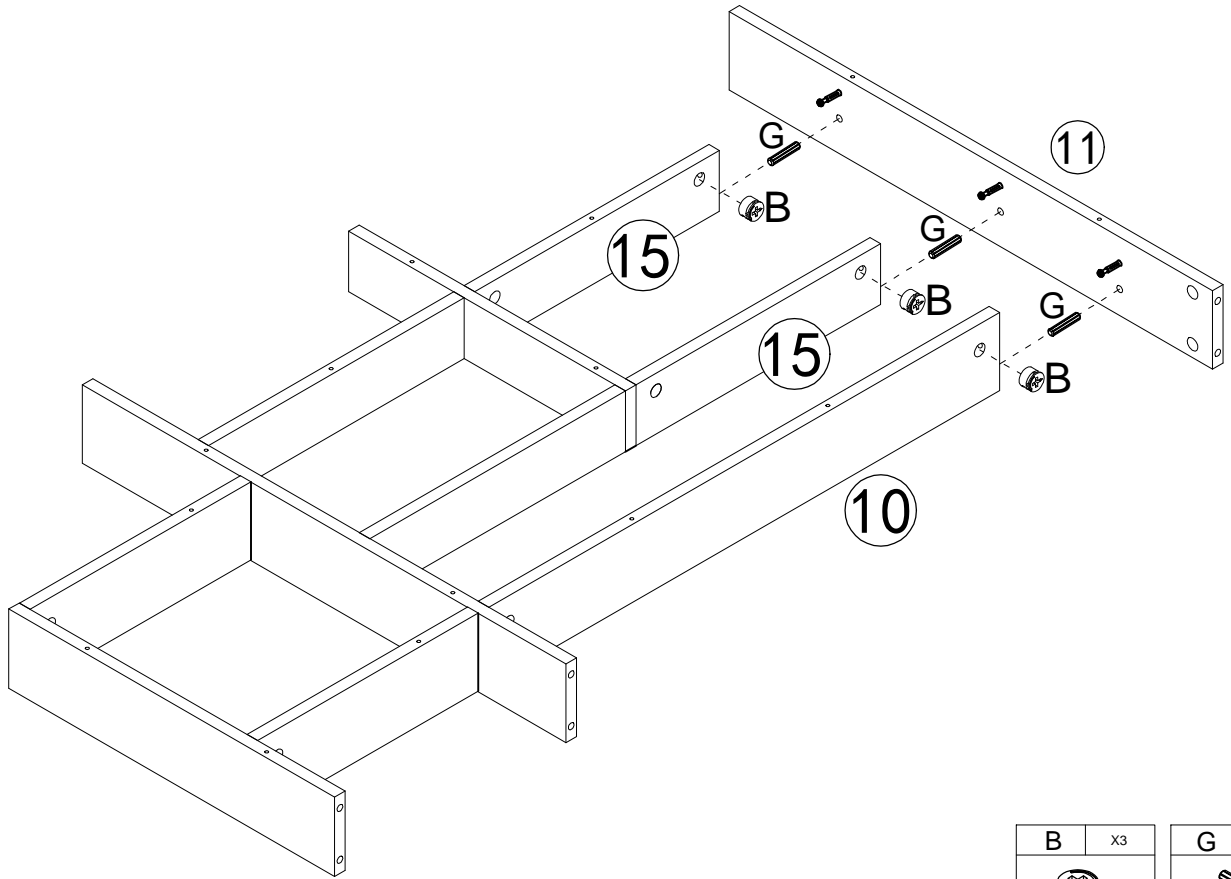
B	X2	G	X2
			
Ø15x9mm		Ø8x30mm	



14



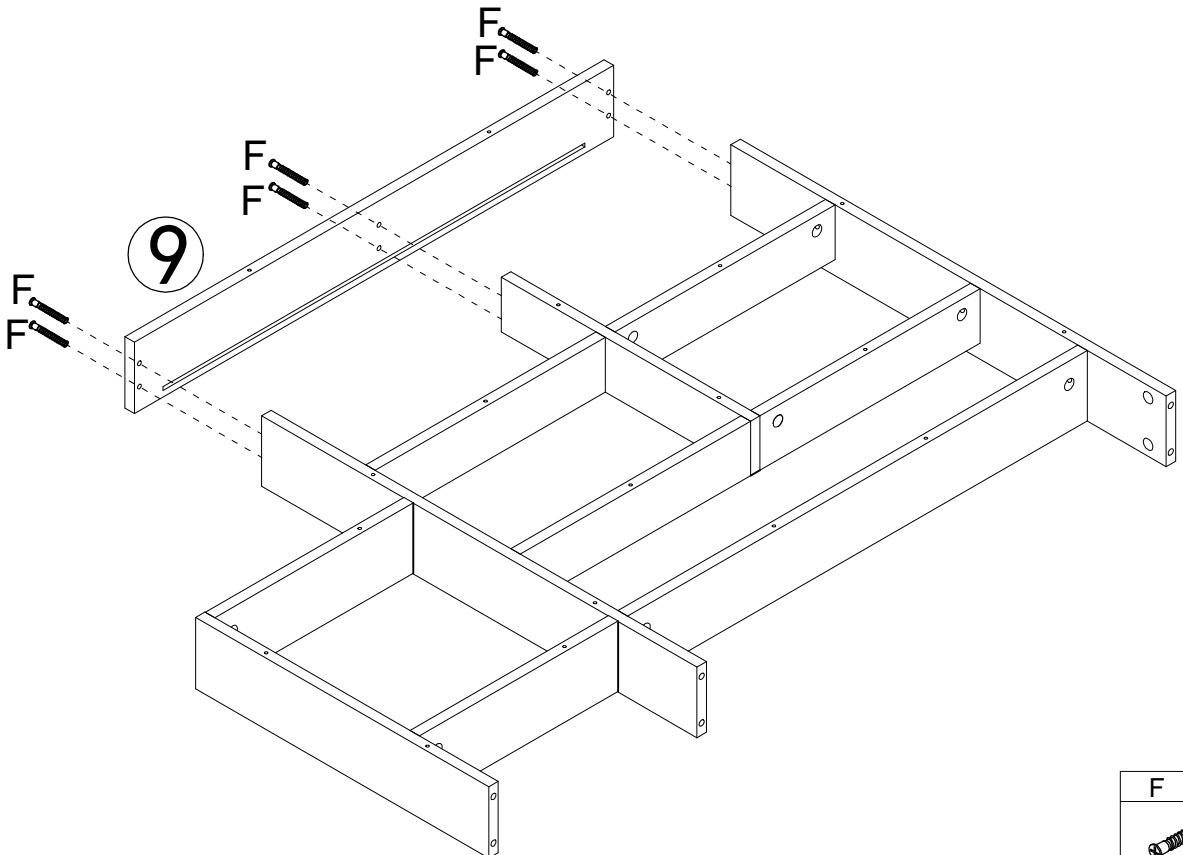
B	X3	G	X3
			
Ø15x9mm		Ø8x30mm	


15

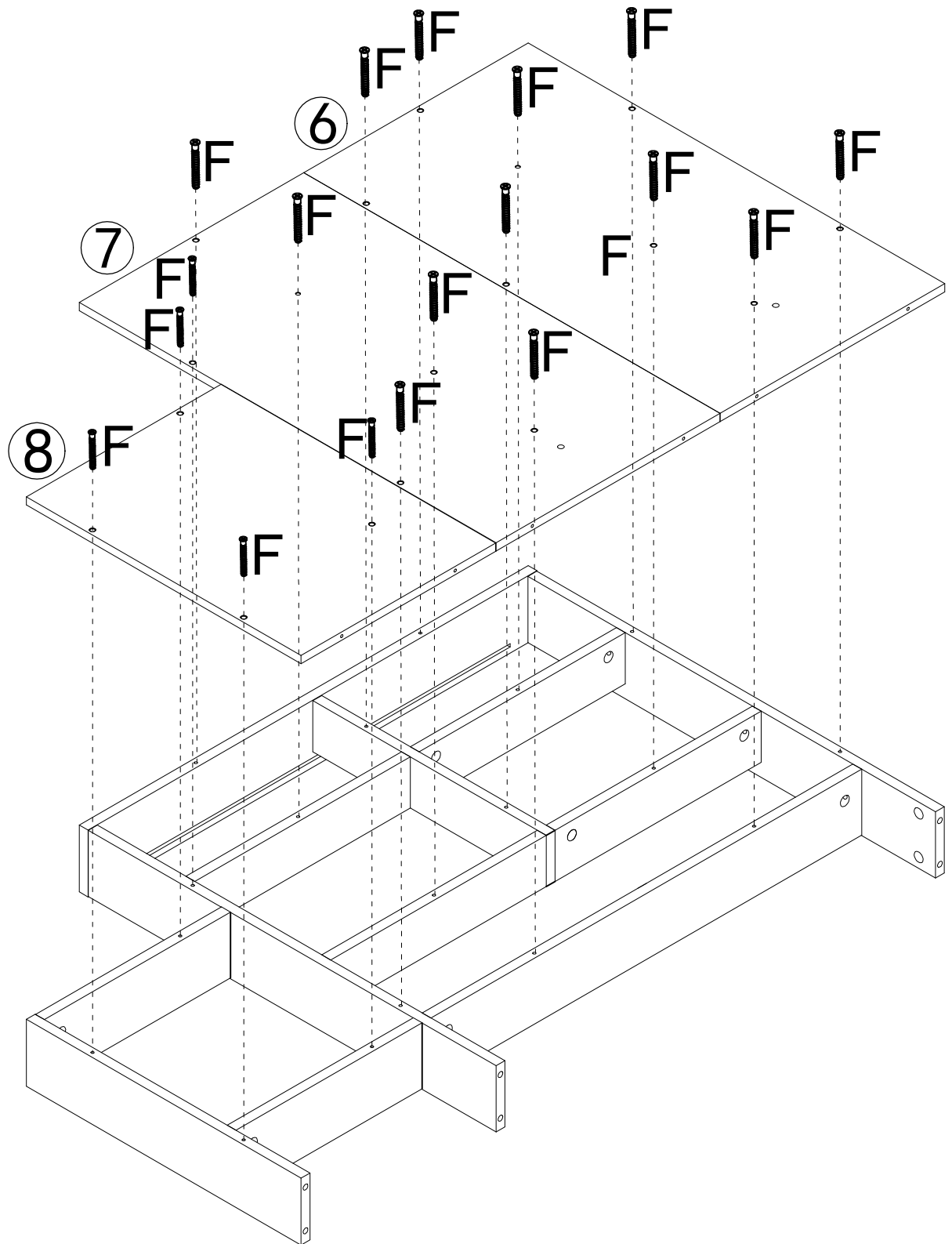



B	X3	G	X3
			
Ø15x9mm		Ø8x30mm	

16

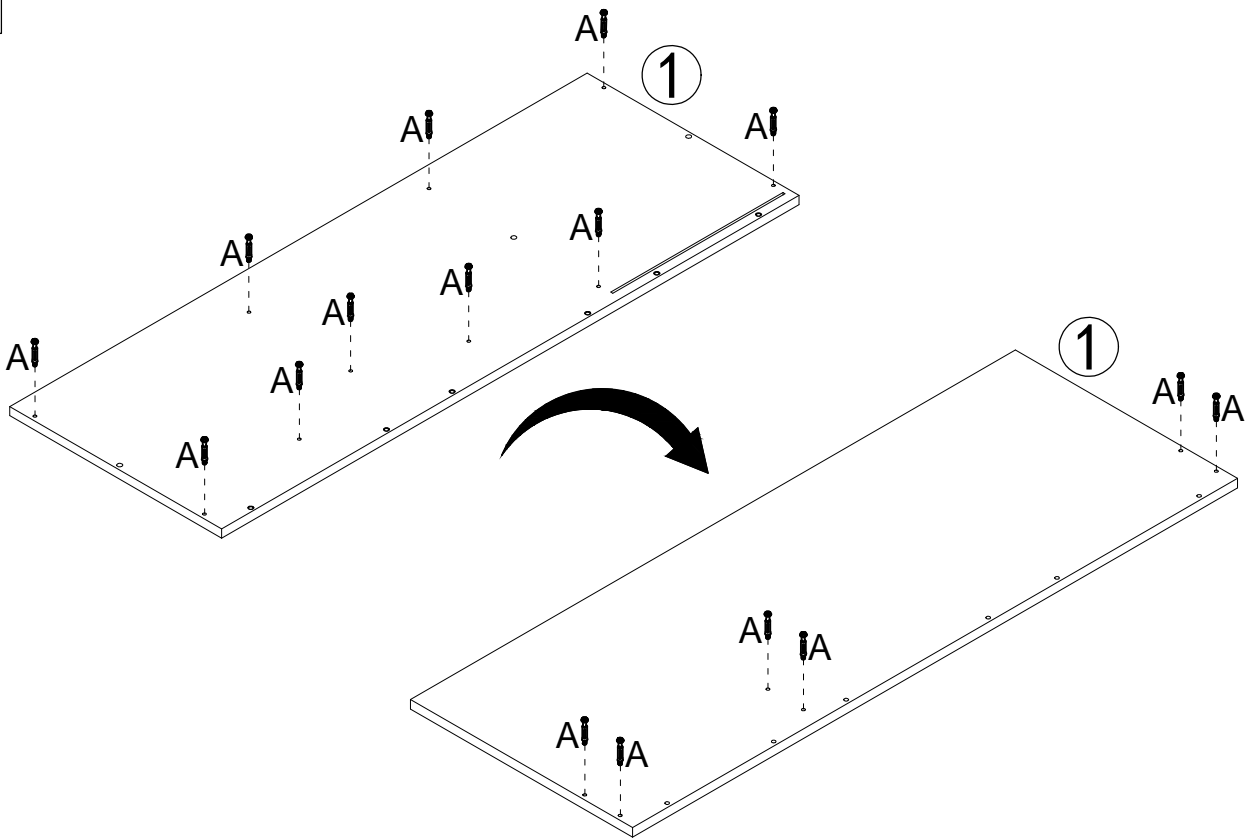



F	X6
	
M5x40mm	



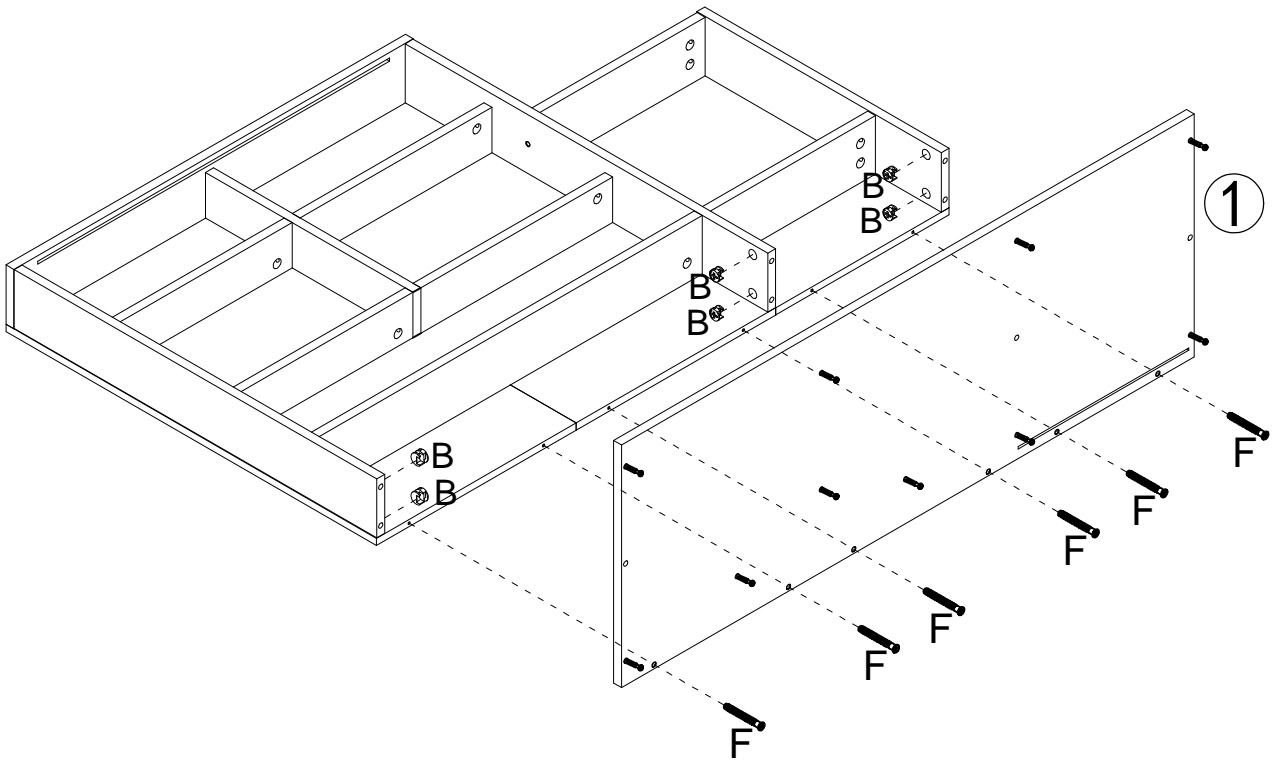
F	x18
	
M5x40mm	



18



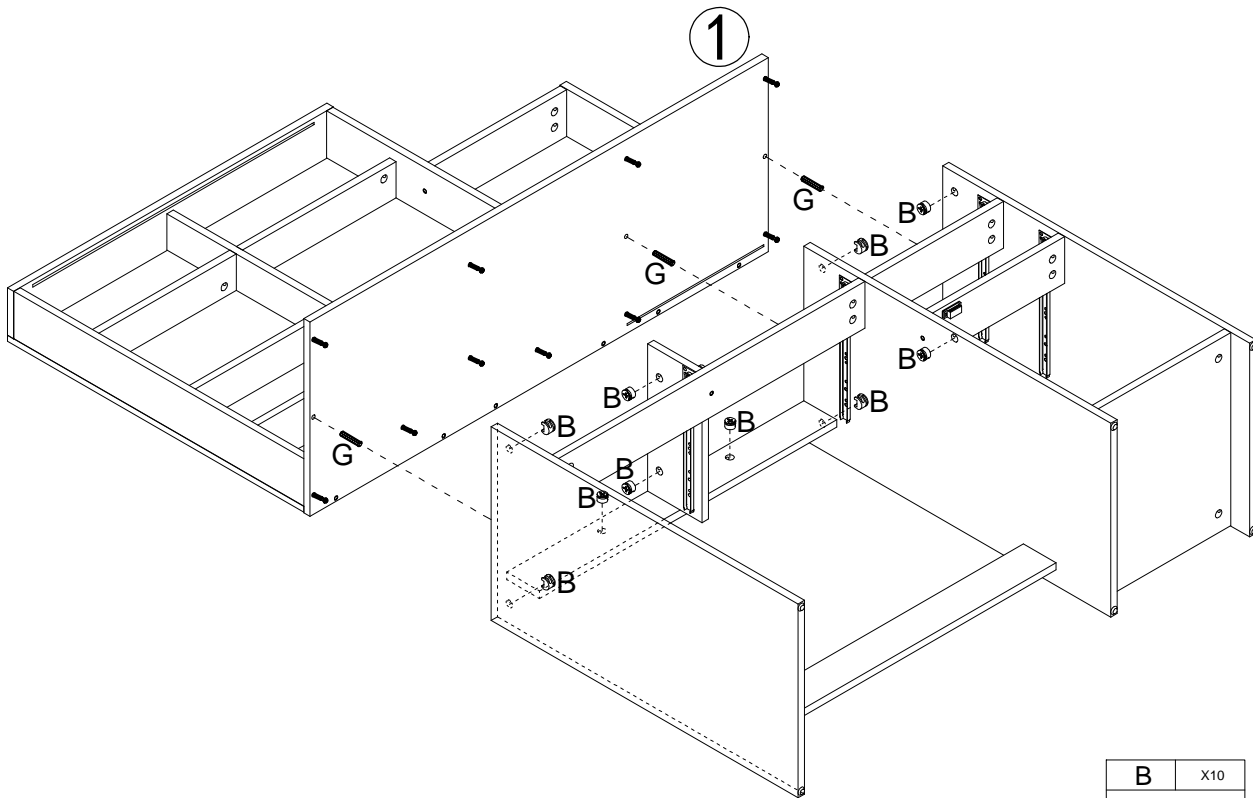
A	X16
	
M6x35mm	



19



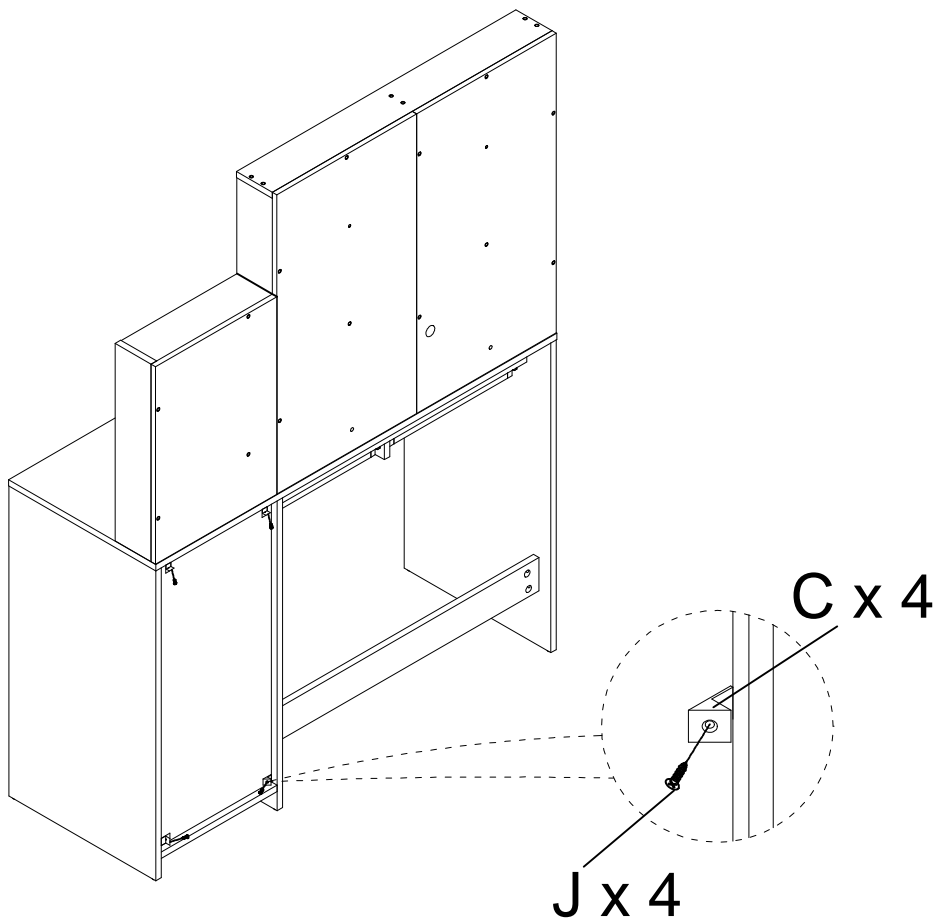
B	x6	F	x6
			
Ø15x9mm		M5x40mm	



20

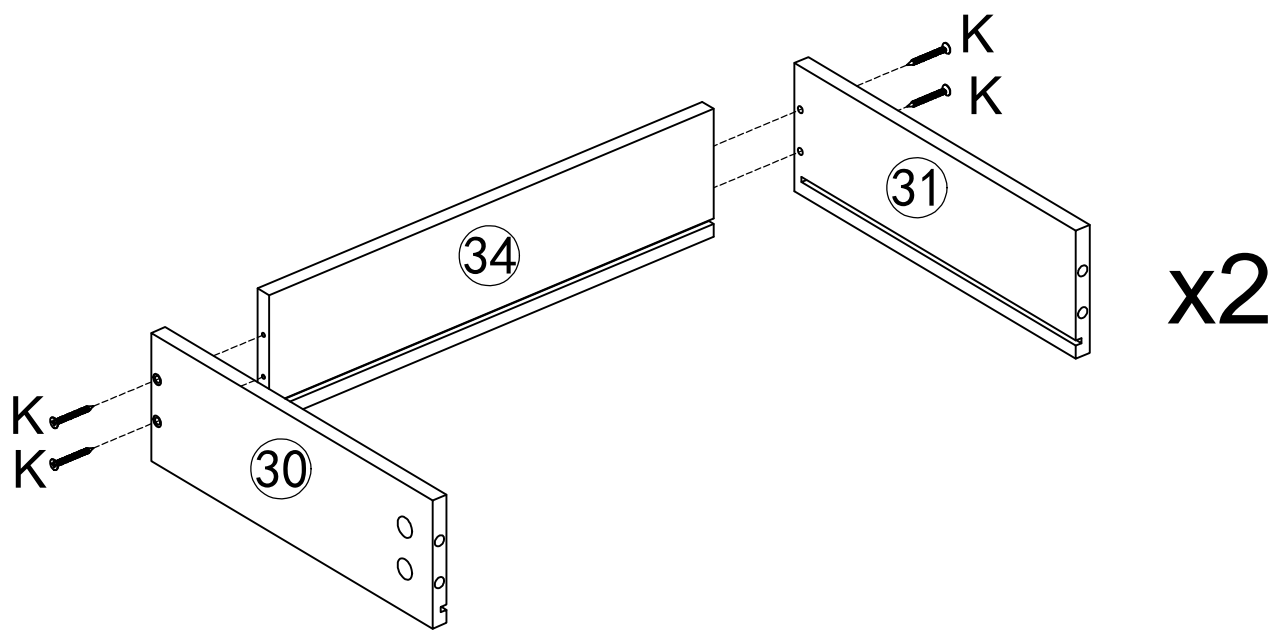
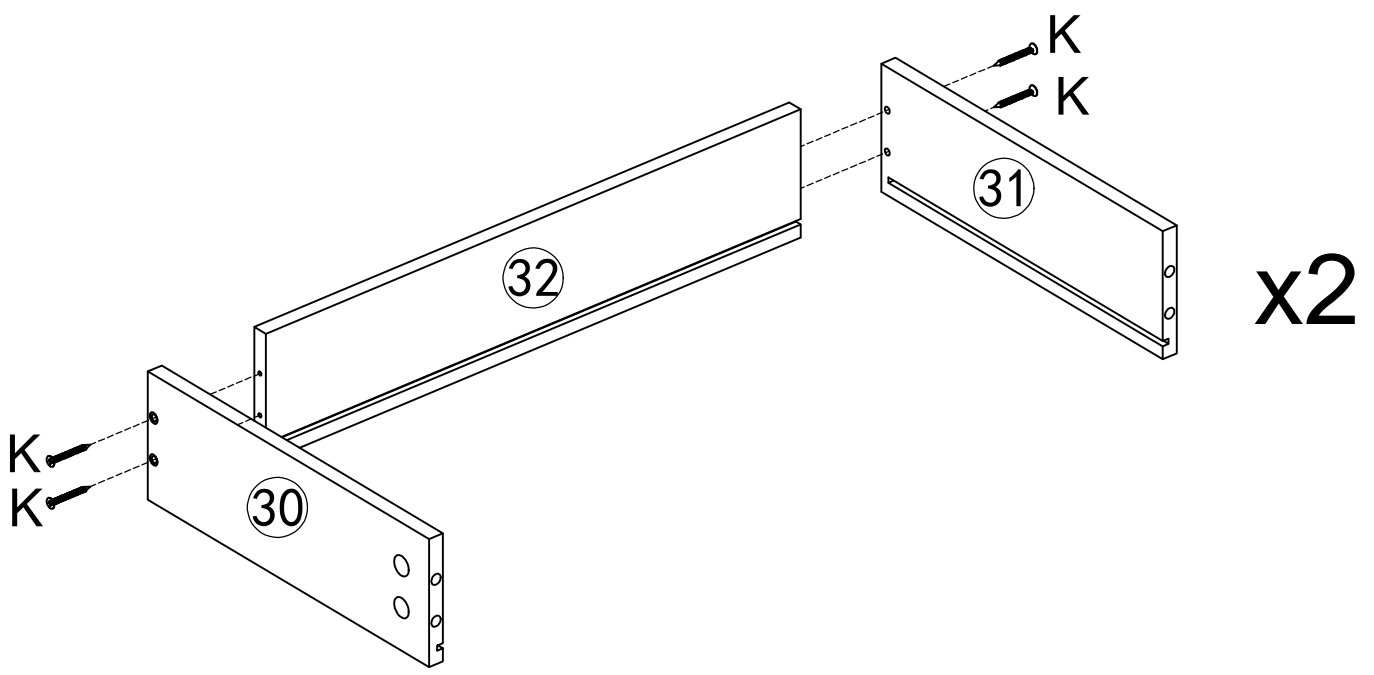



B	X10	G	X3
			
Ø15x9mm		Ø8x30mm	

21

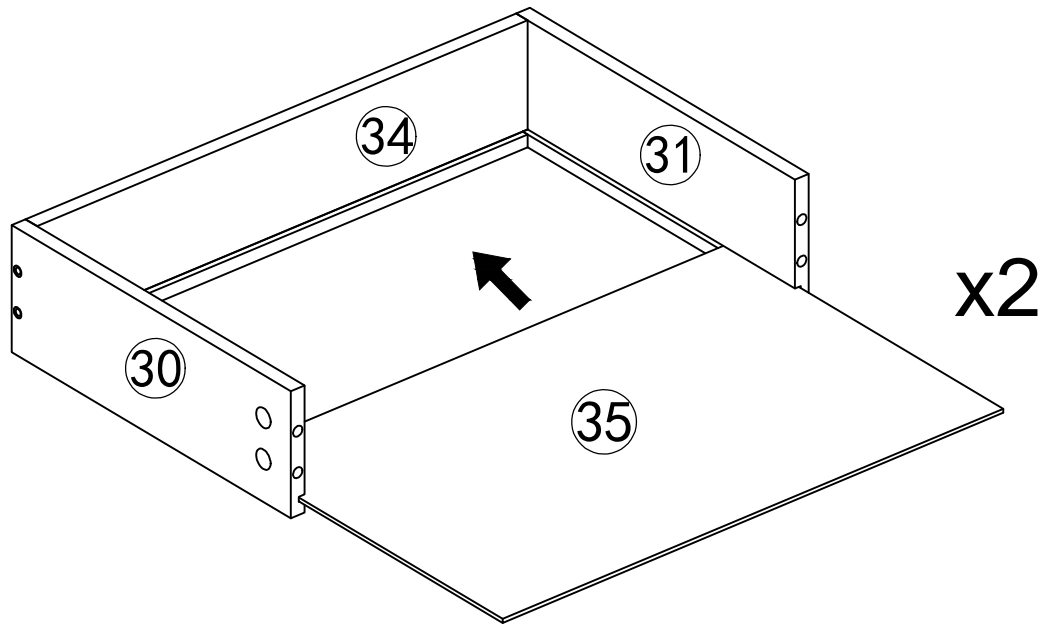
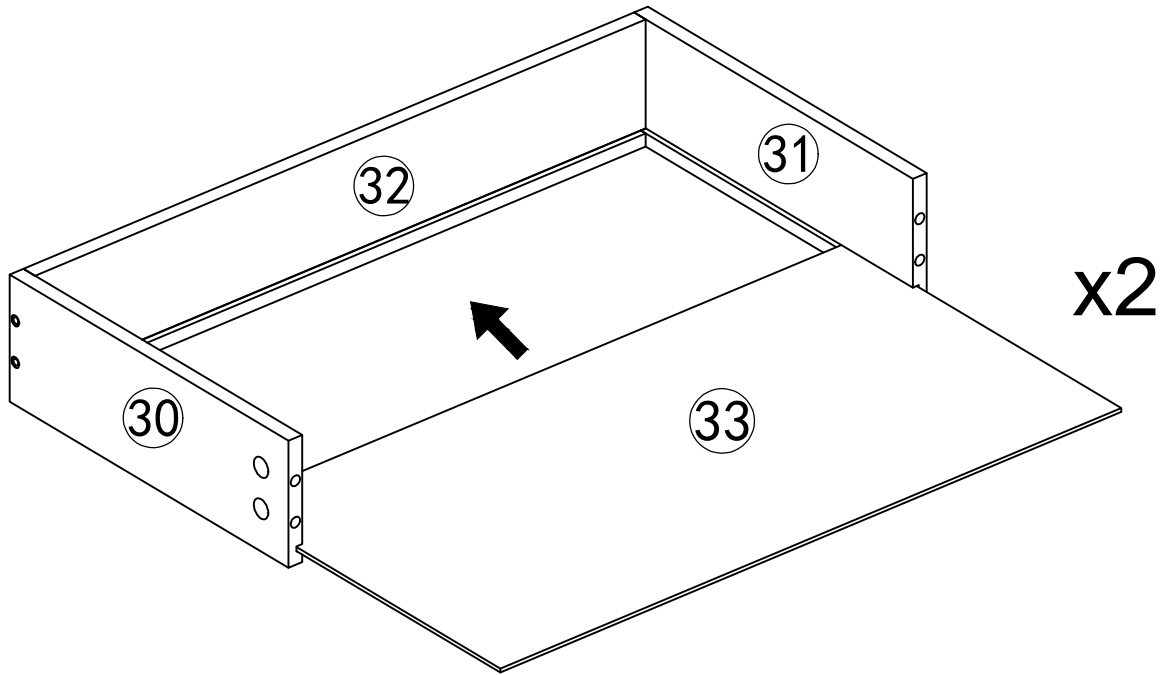


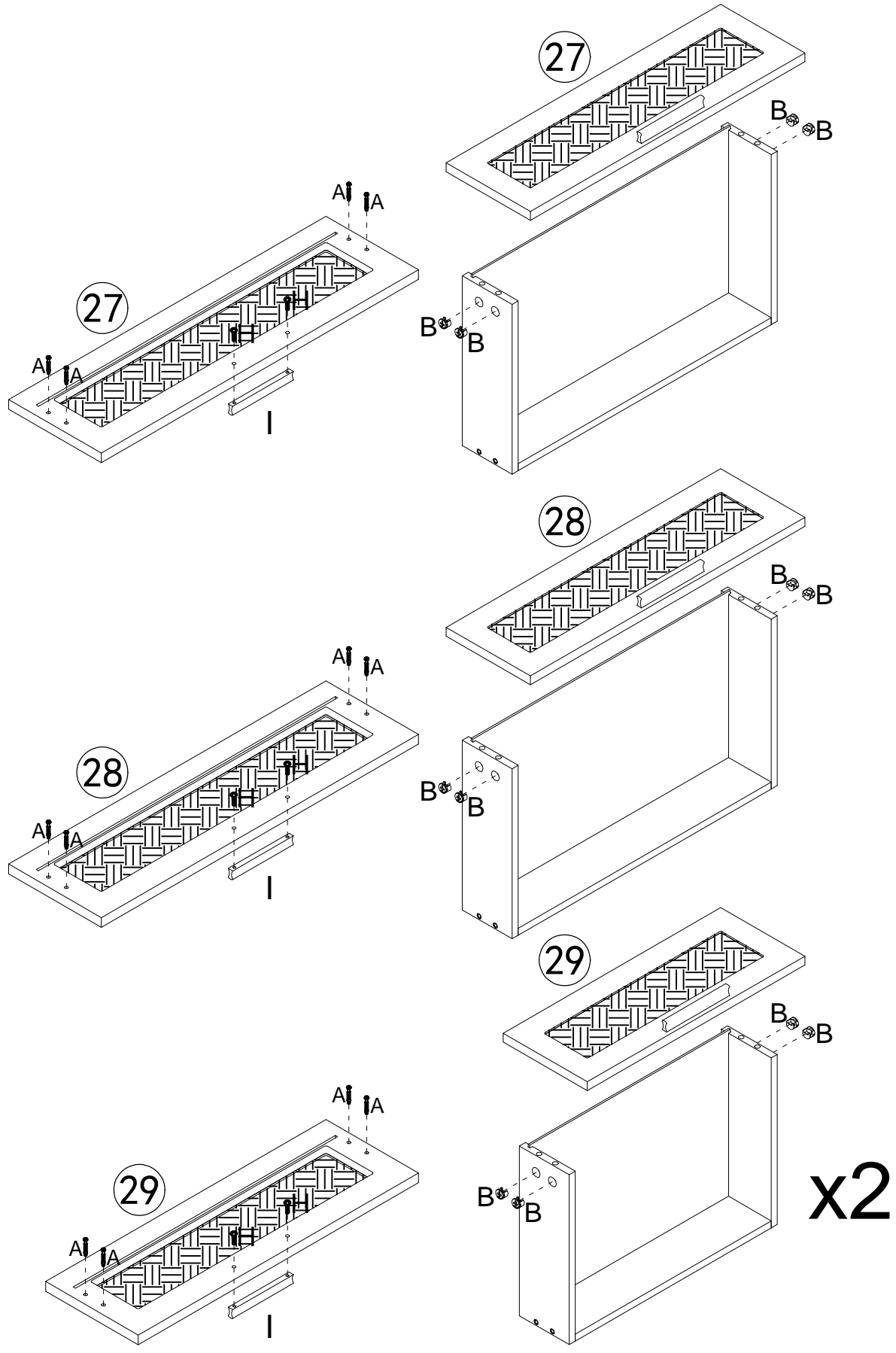
C	X4	J	X4
			
		M3x14mm	


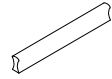




K	X16
	
M4x35mm	

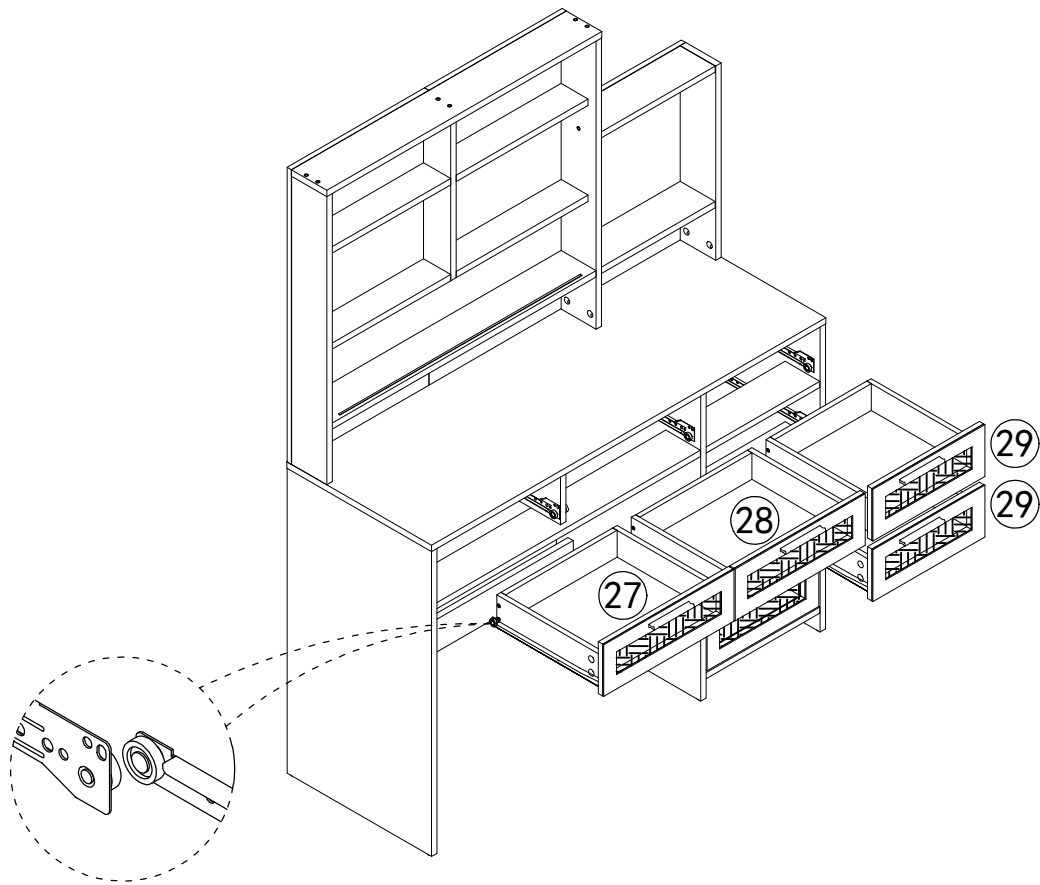
23



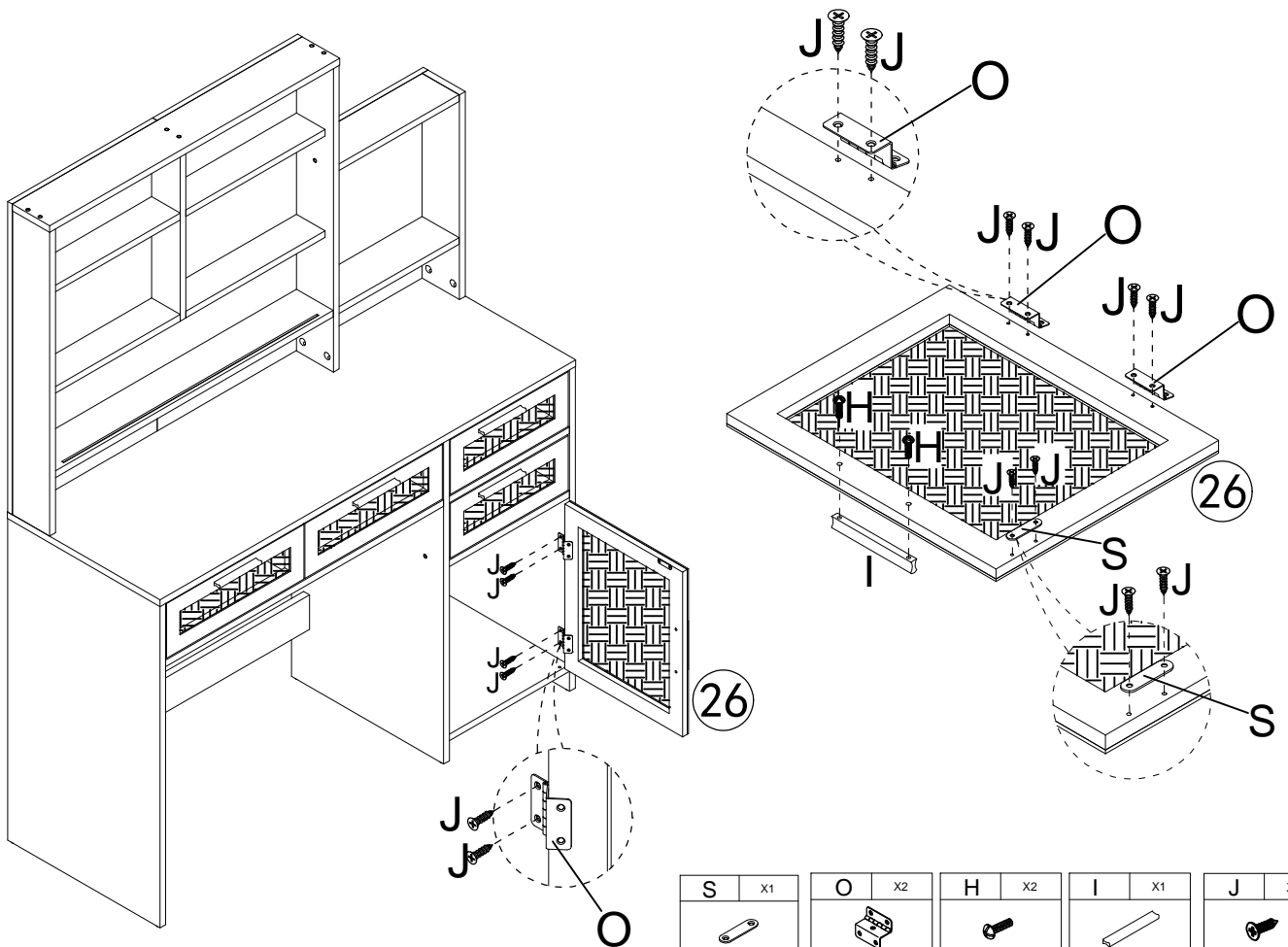


H	X8	I	X4	A	X16	B	X16
							
M4x18mm				M6x35mm		Ø15x9mm	

26

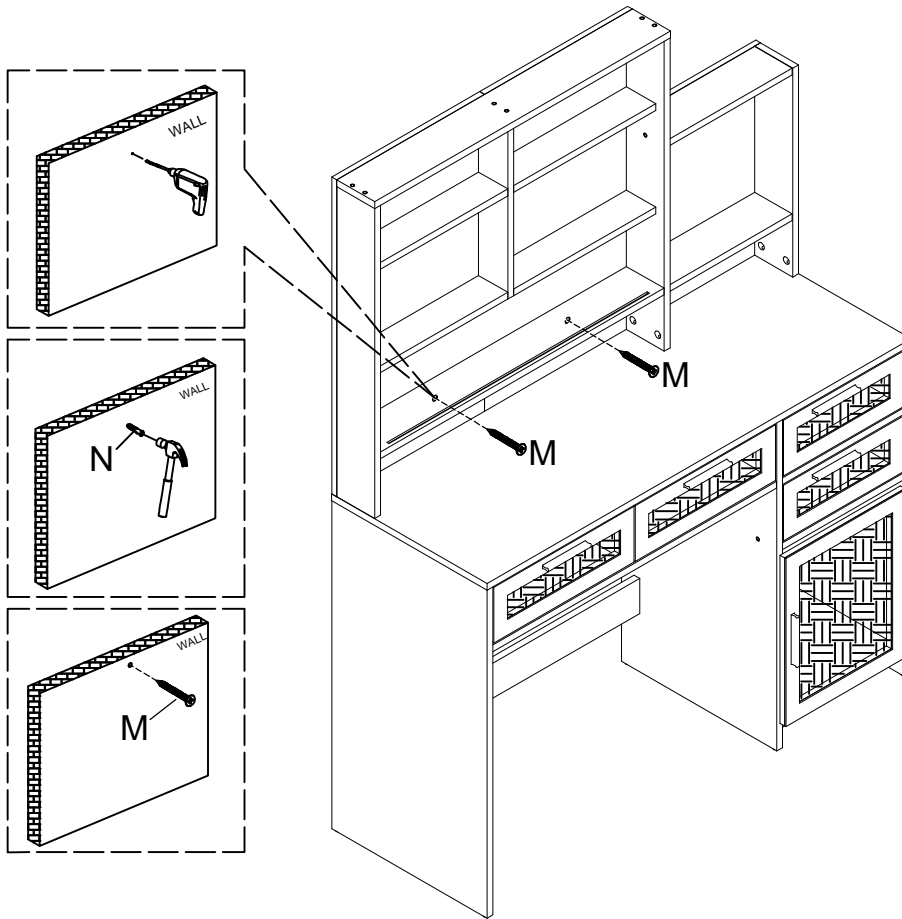




27



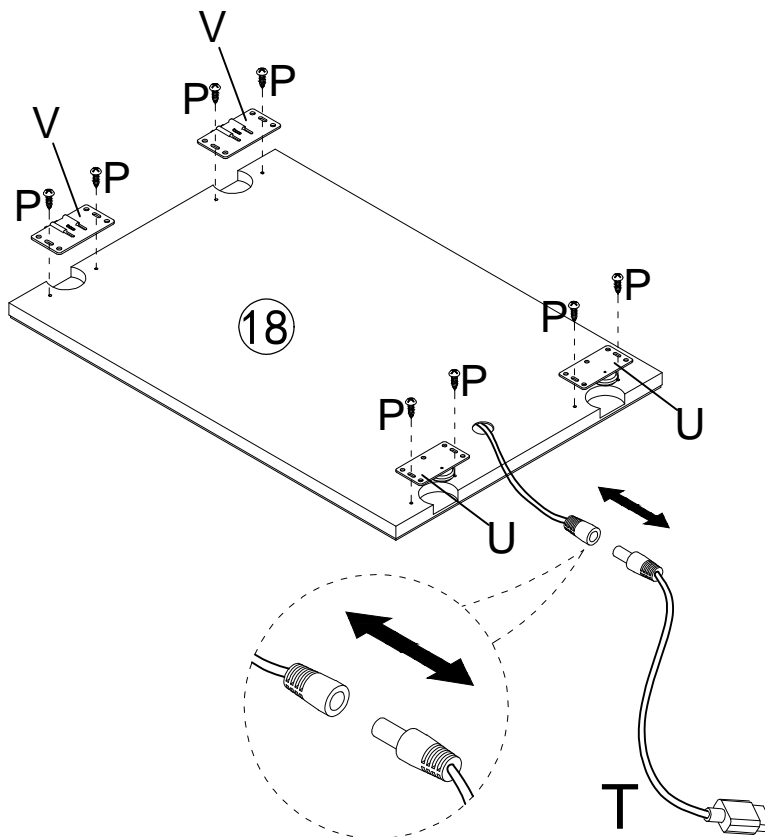
S	X1	O	X2	H	X2	I	X1	J	X10
				M4x18mm				M3x14mm	





28



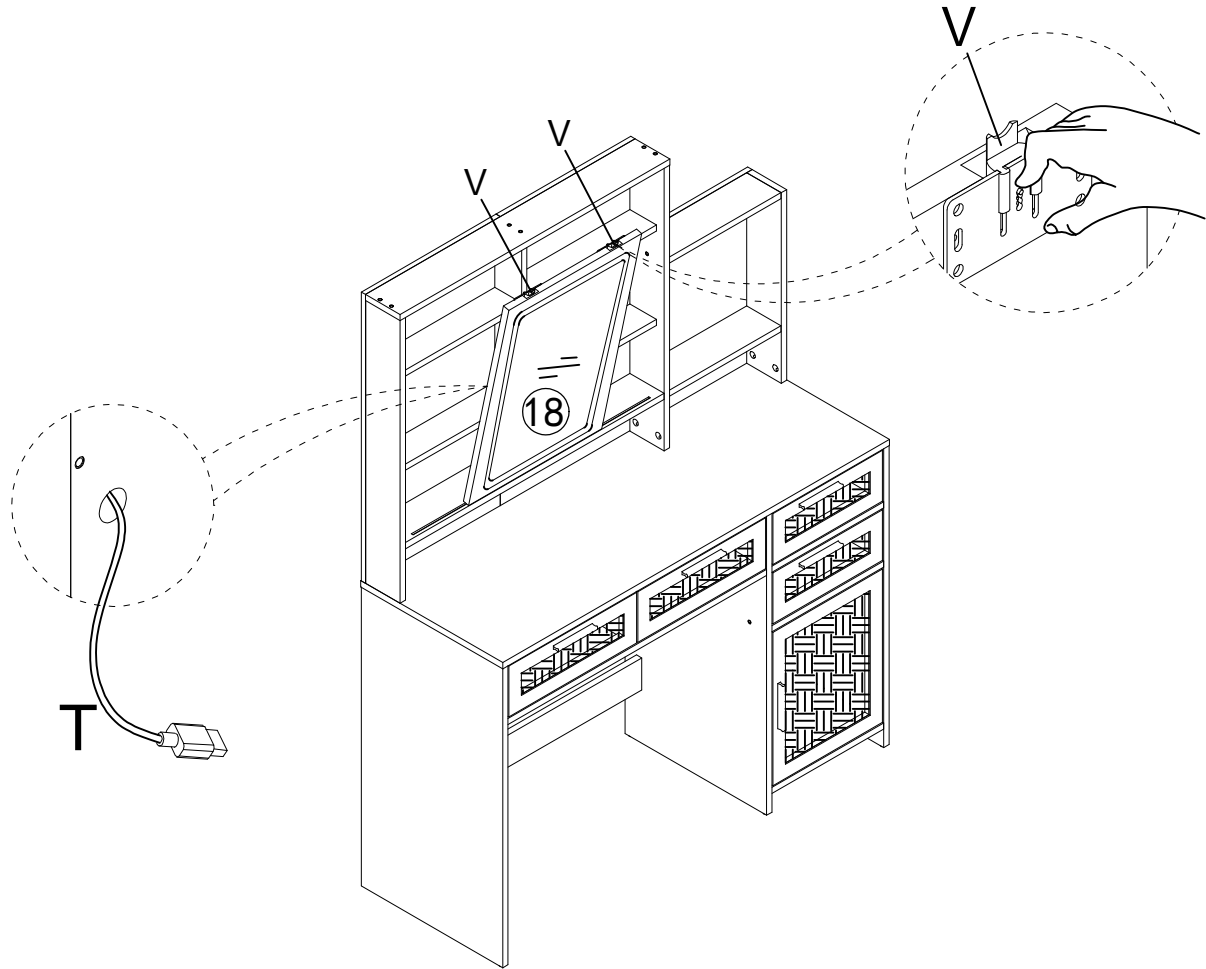
N	x2	M	x2
			
Ø6x30mm		M4x50mm	

29



T	x1	P	x8	U	x2	V	x2
							
		M4x14mm					

30



31

