

















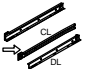
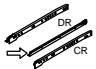
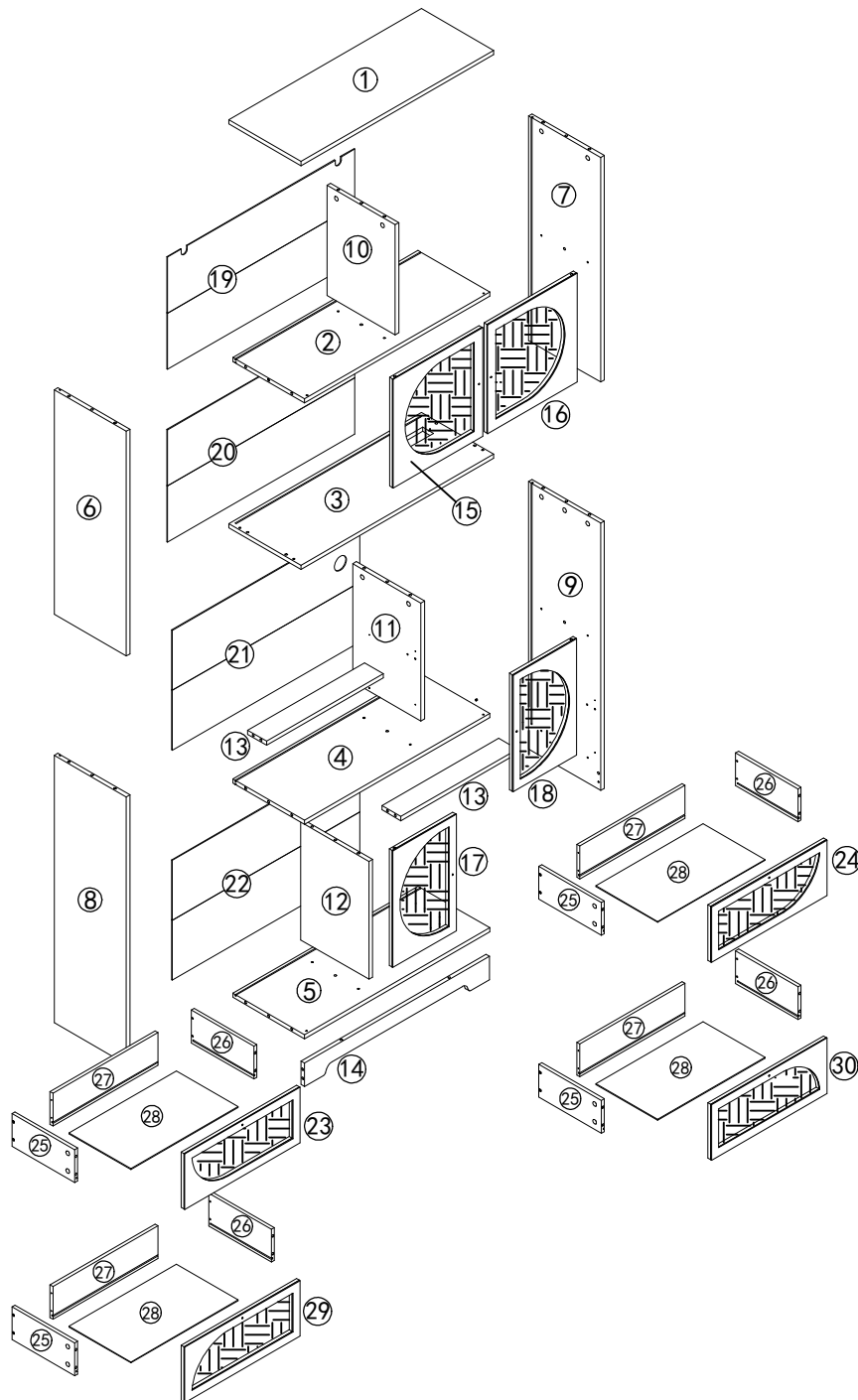
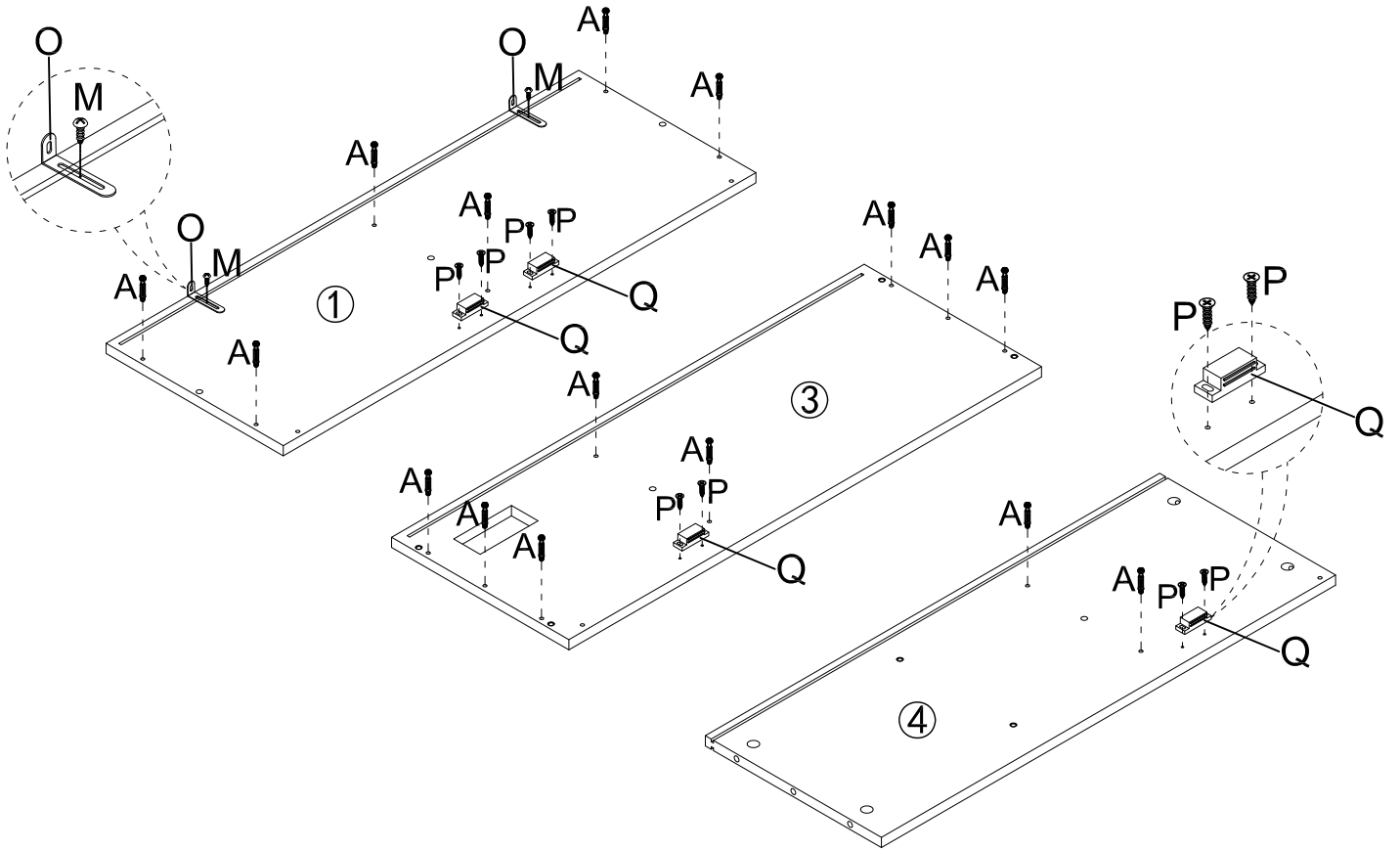


# Assembly Instruction

<b>A</b>	X56	<b>B</b>	X56	<b>C</b>	X8	<b>D</b>	X32	<b>E</b>	X1	<b>F</b>	X10	<b>G</b>	X20	<b>H</b>	X8
															
M6x35mm		Ø15x9mm				M3x14mm		4mm		M5x40mm		Ø8x30mm		M4x20mm	
<b>I</b>	X8	<b>J</b>	X8	<b>K</b>	X18	<b>M</b>	X2	<b>N</b>	X2	<b>O</b>	X2	<b>P</b>	X26	<b>Q</b>	X4
															
				M4x35mm		M4x14mm		Ø6x30mm				M3x14			
<b>S</b>	X4	<b>T</b>	X1	<b>L</b>	X4	<b>R</b>	X4								
															



1



O	X2

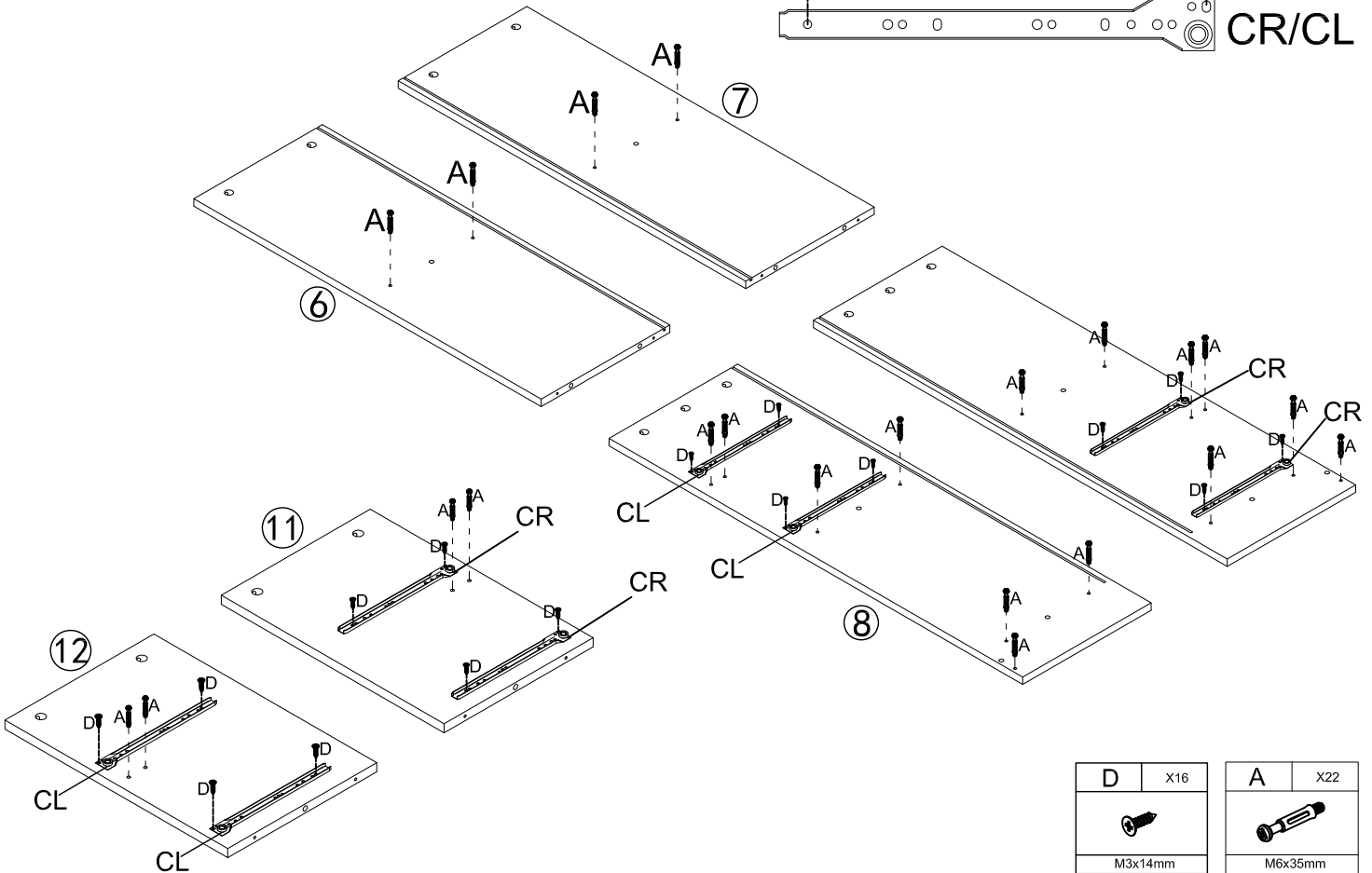
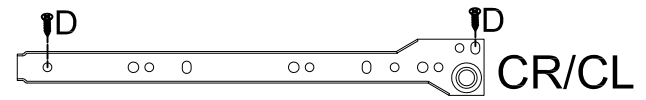
M	X2
M4x14mm	

P	X8
M3x14mm	

Q	X4

A	X16
M6x35mm	

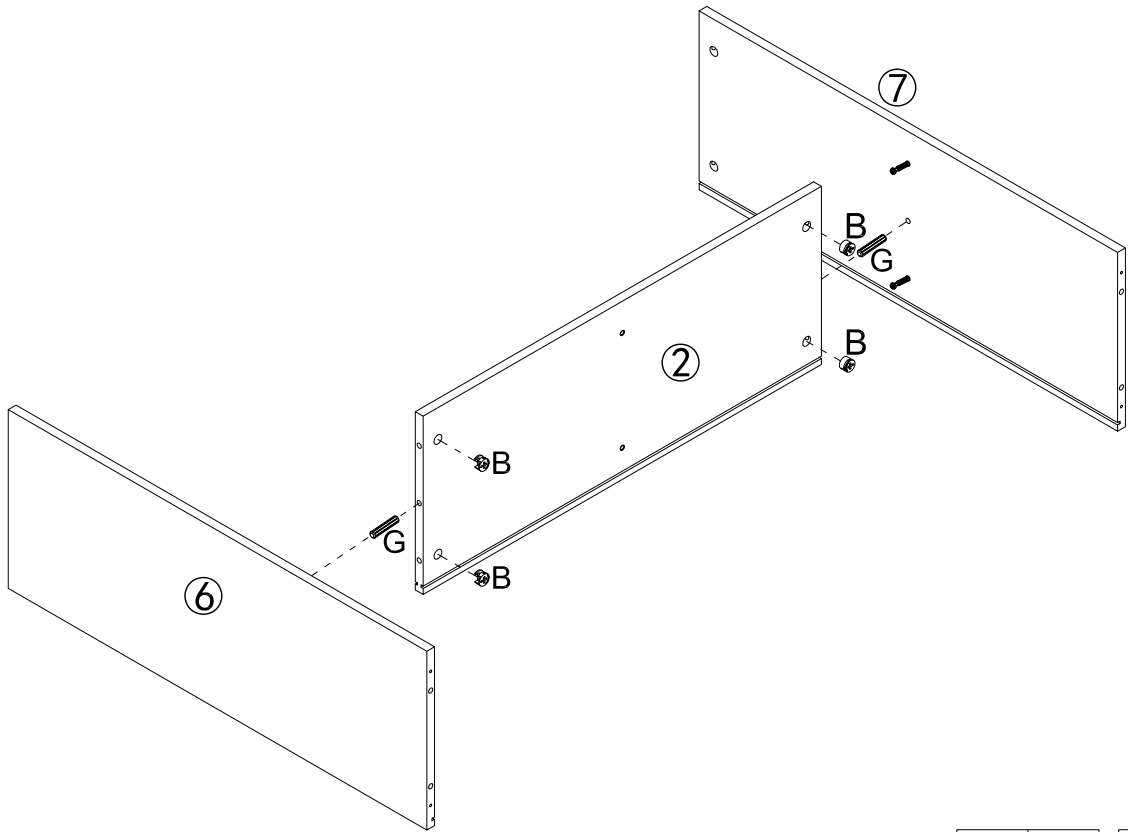
2





D	X16
M3x14mm	

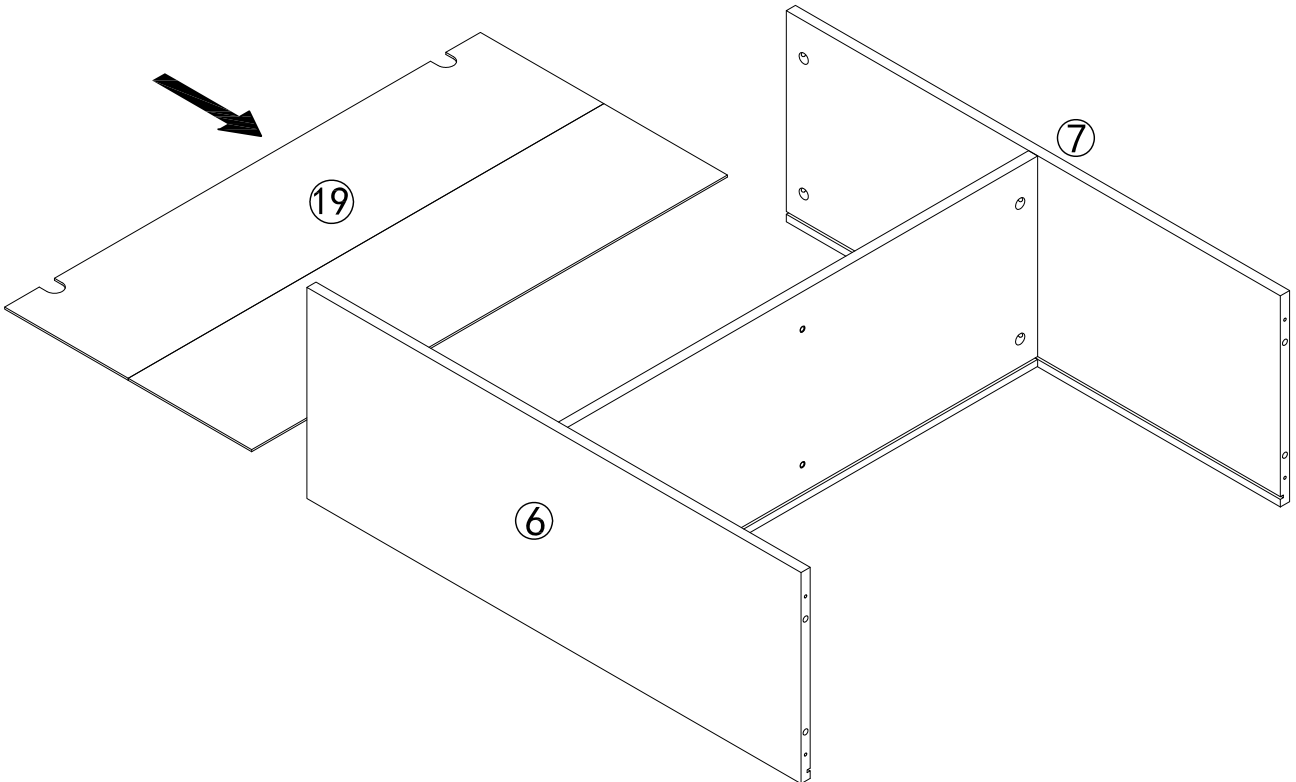
A	X22
M6x35mm	

3

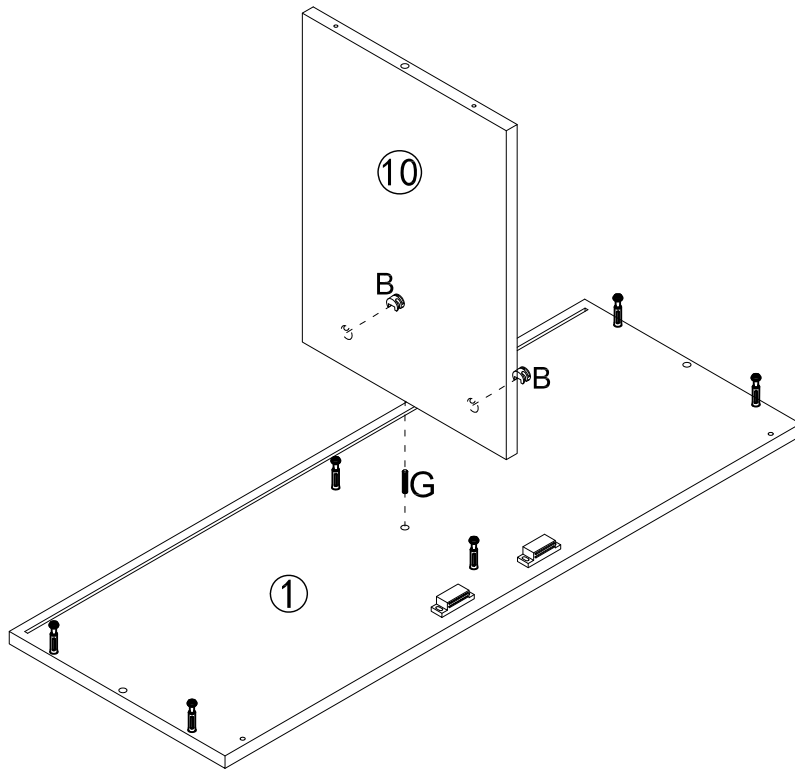


G	X2	B	X4
			
Ø6x30mm		Ø15x9mm	

4

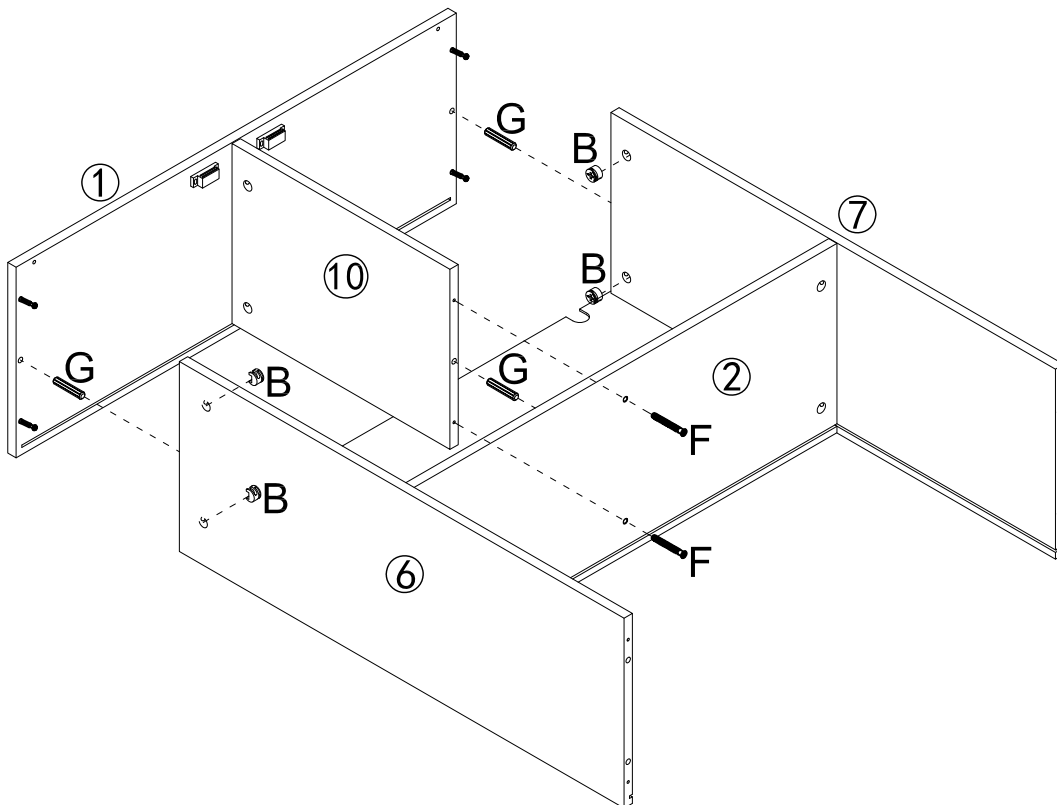


5



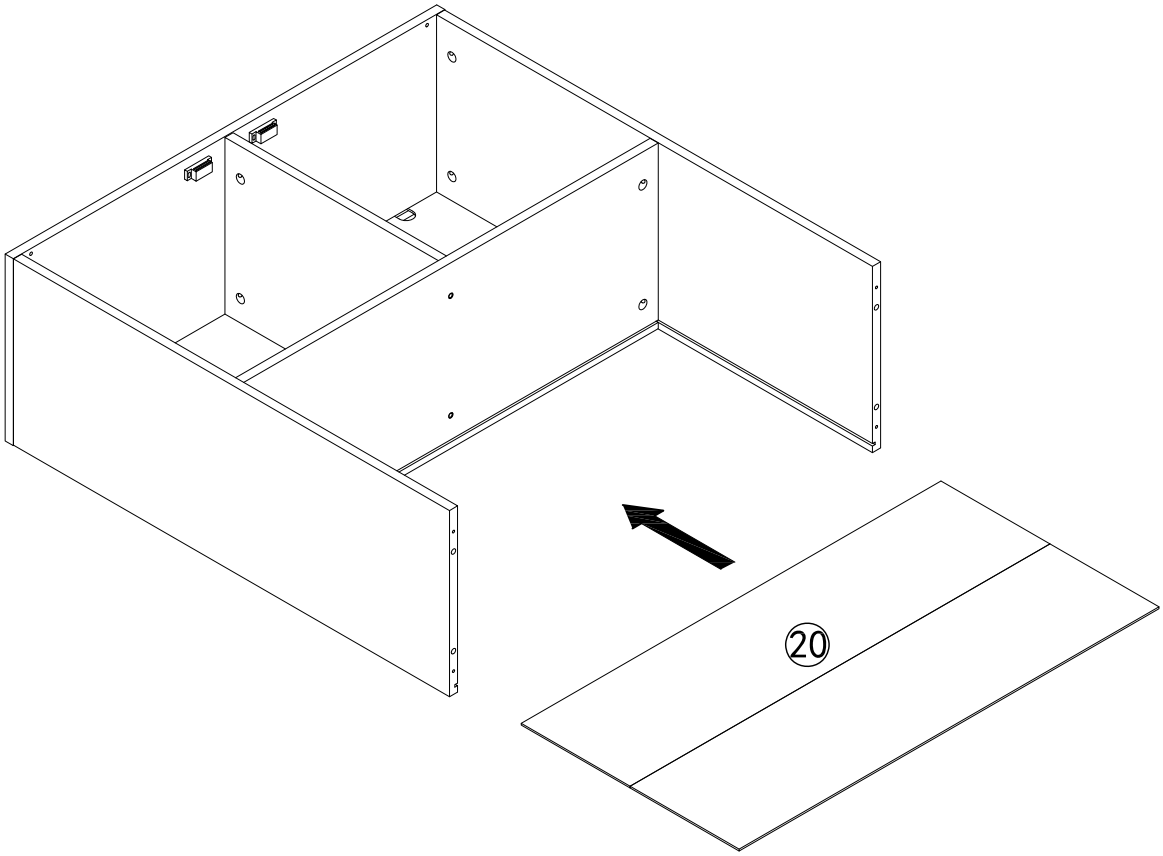
G	X1	B	X2
Ø8x30mm		Ø15x9mm	

6

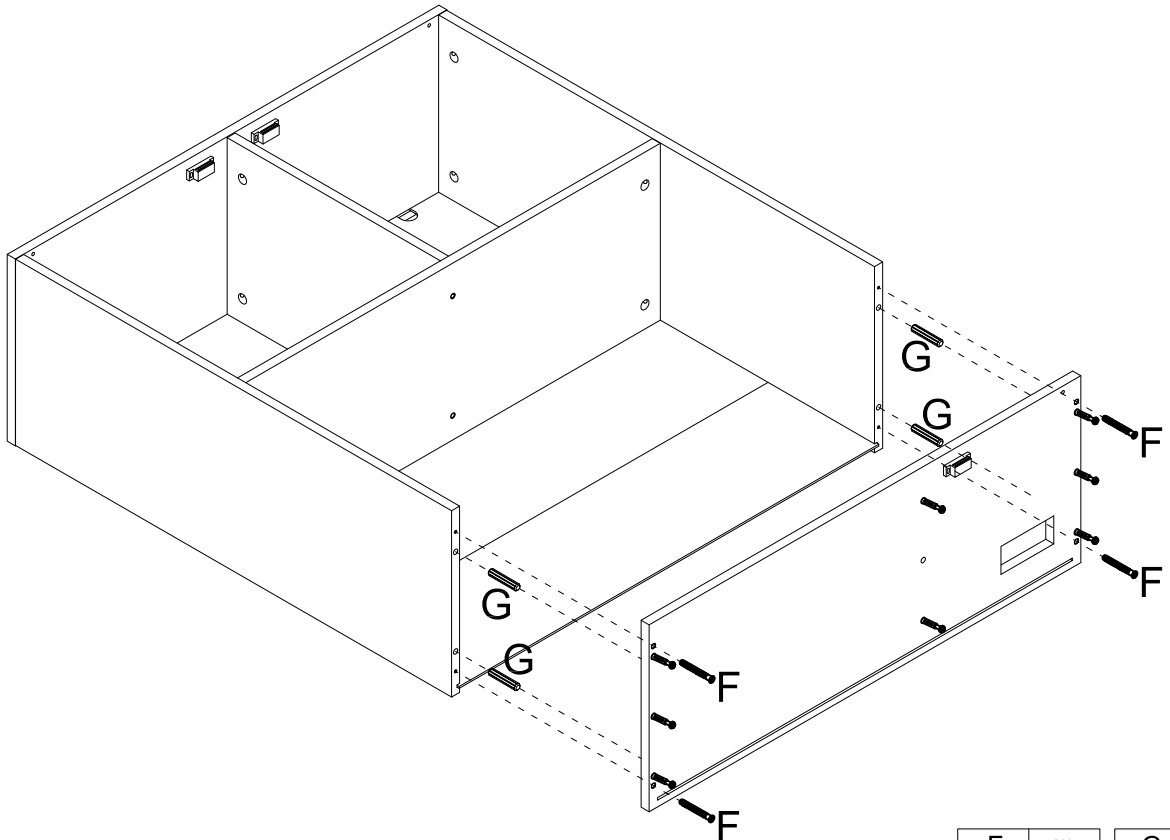


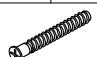
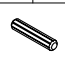
B	X4	F	X2	G	X3
Ø15x9mm		M5x40mm		Ø8x30mm	

7

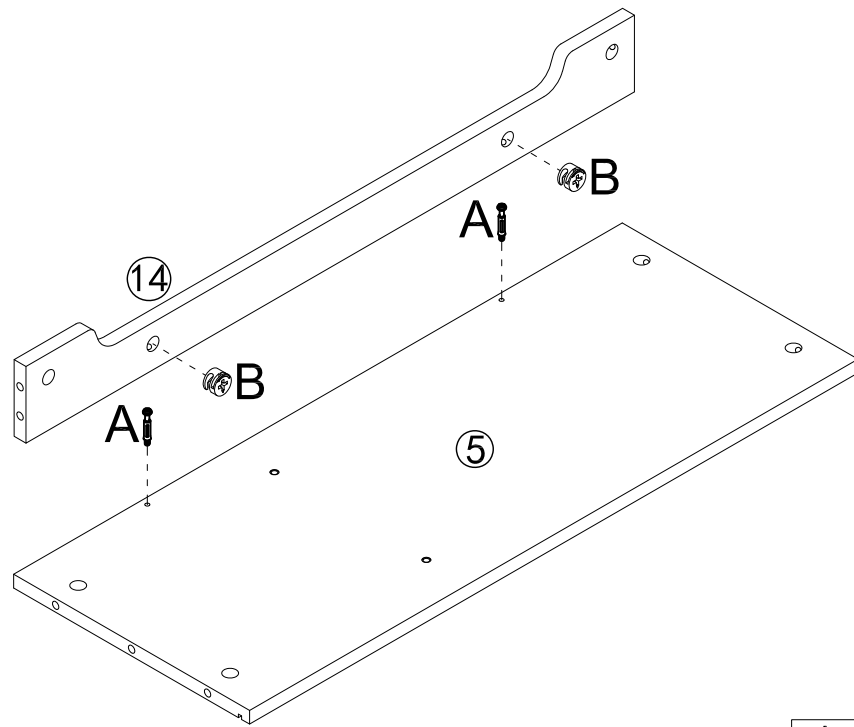




8



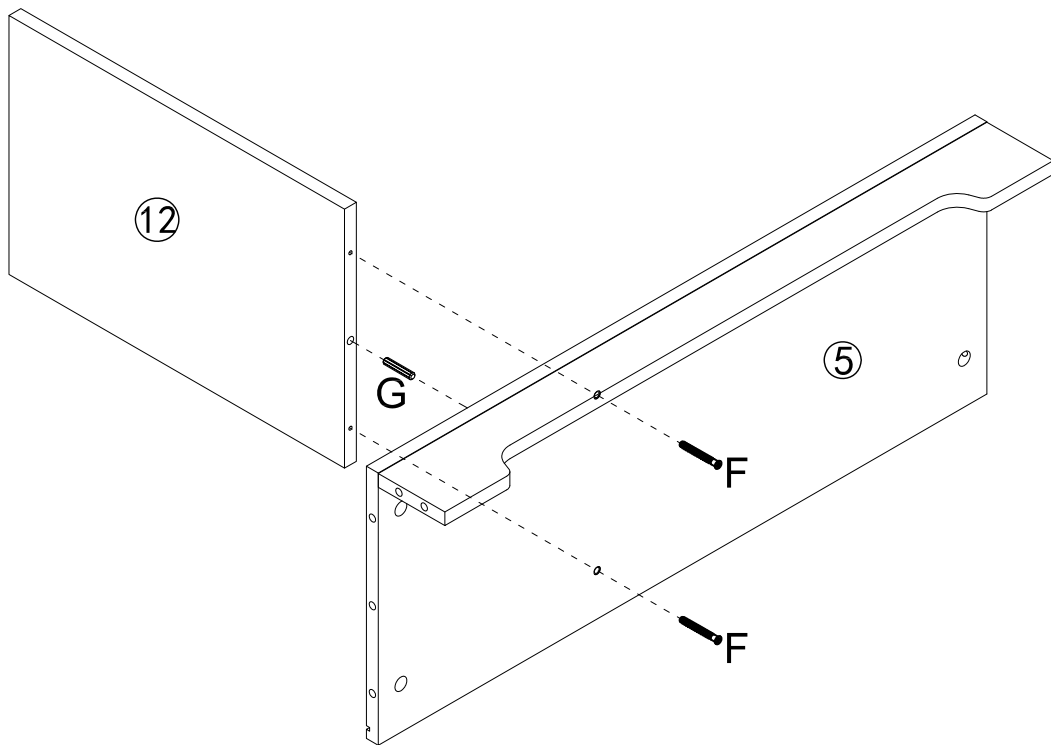
F	X4	G	X4
			
M5x40mm		Ø8x30mm	


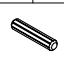
9



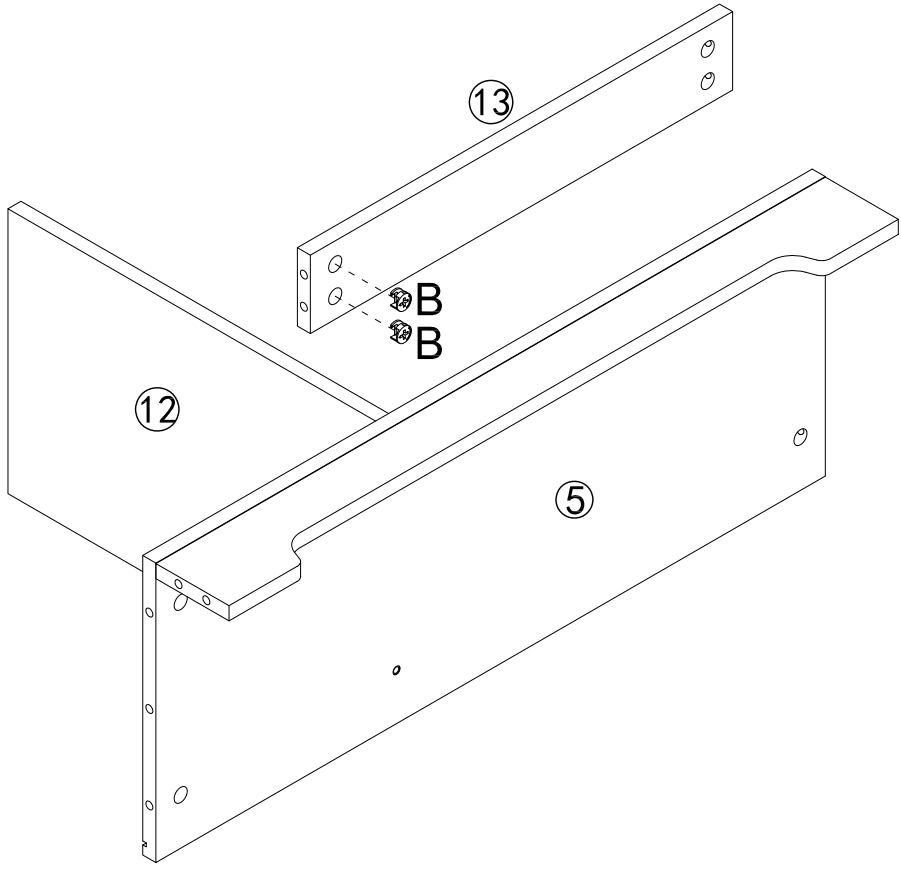
A	X2	B	X2
			
M6x35mm		Ø15x9mm	


10



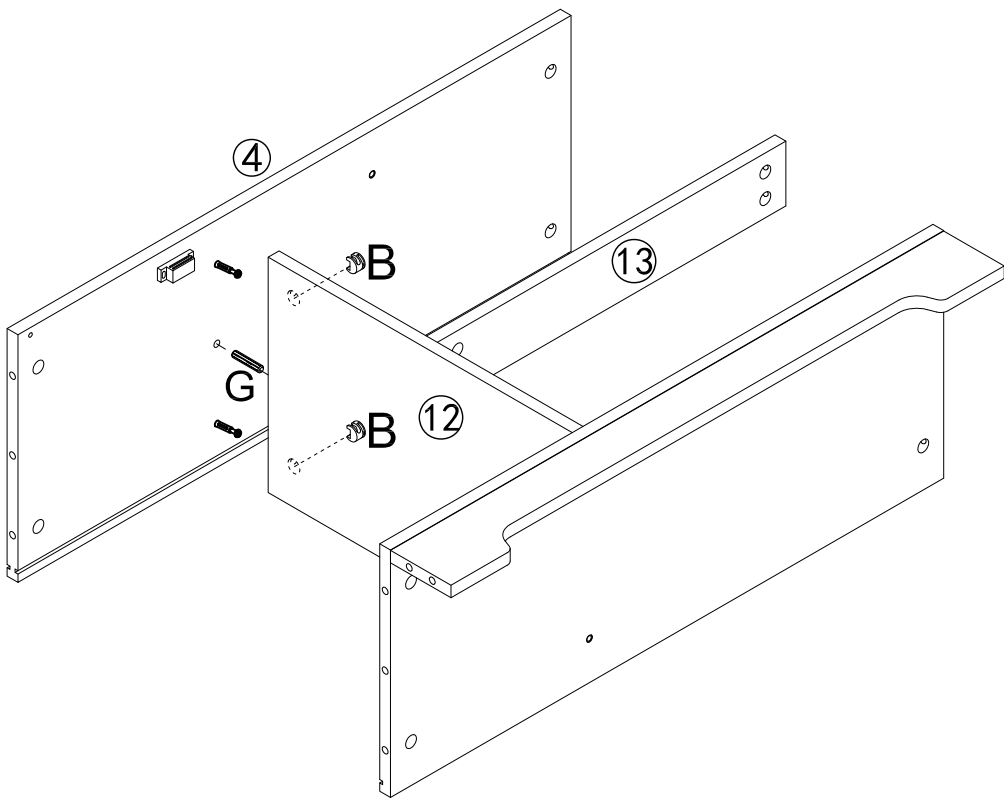
F	X2	G	X1
			
M5x40mm		Ø8x30mm	


11




B	X2
	
Ø15x9mm	

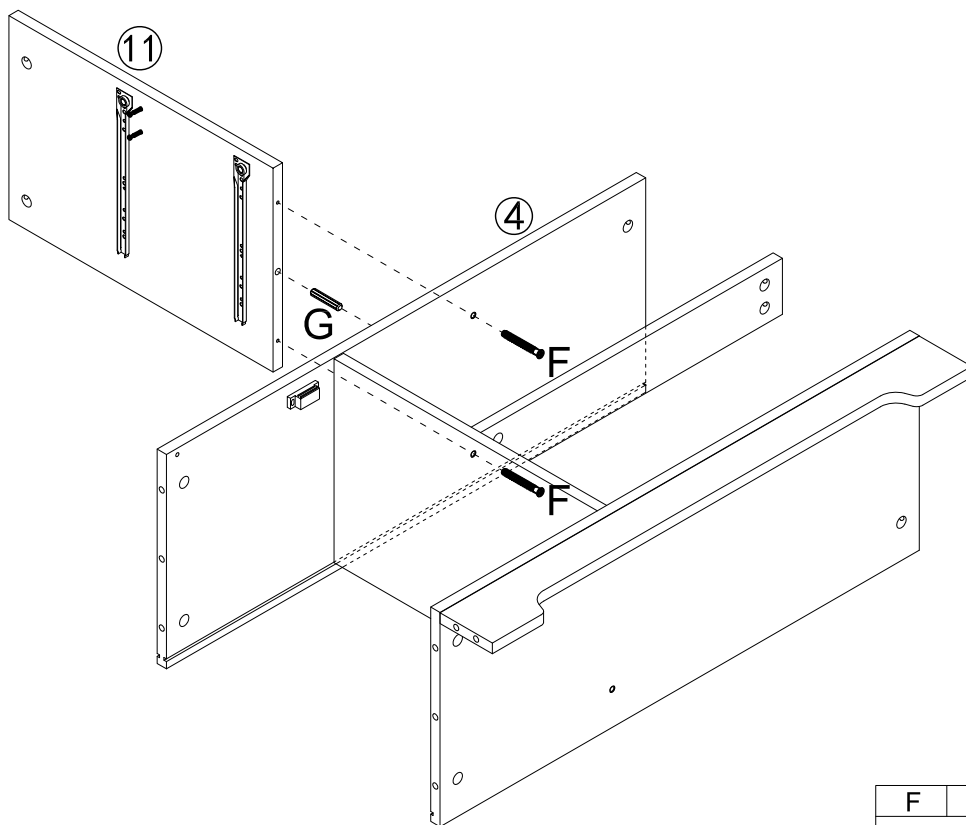
12

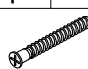



G	X1
	
Ø8x30mm	

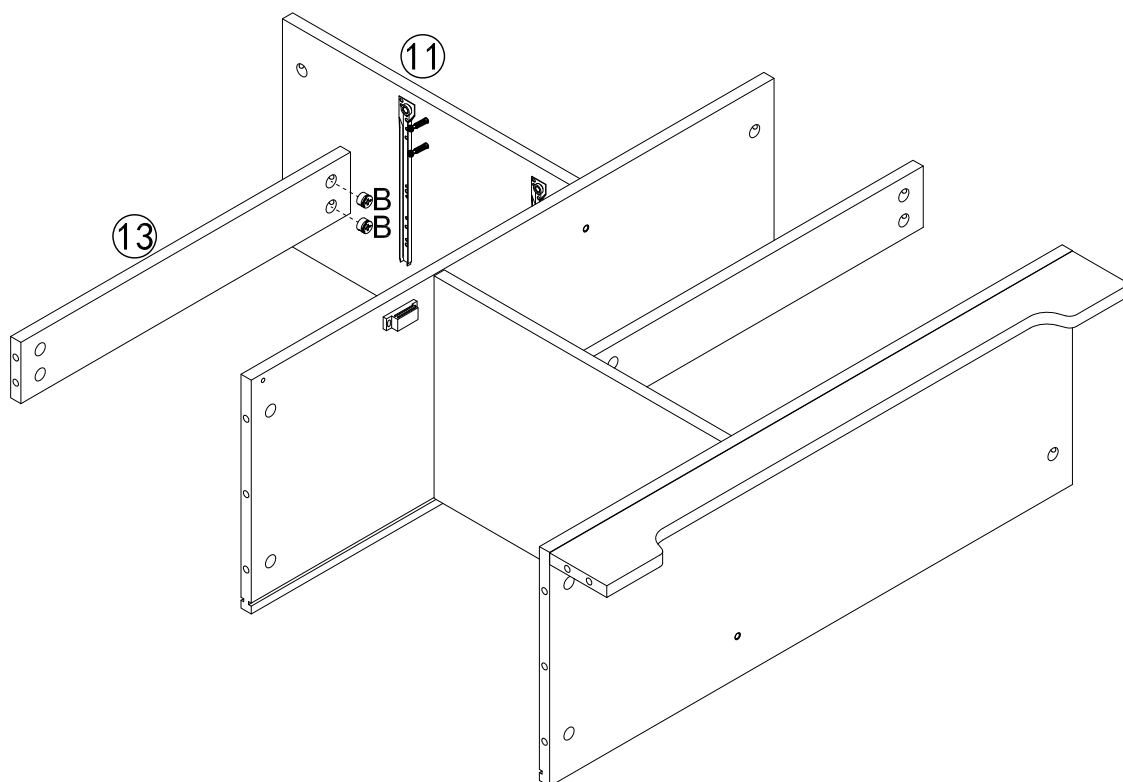
B	X2
	
Ø15x9mm	


13



F	X2	G	X1
			
M5x40mm		Ø8x30mm	

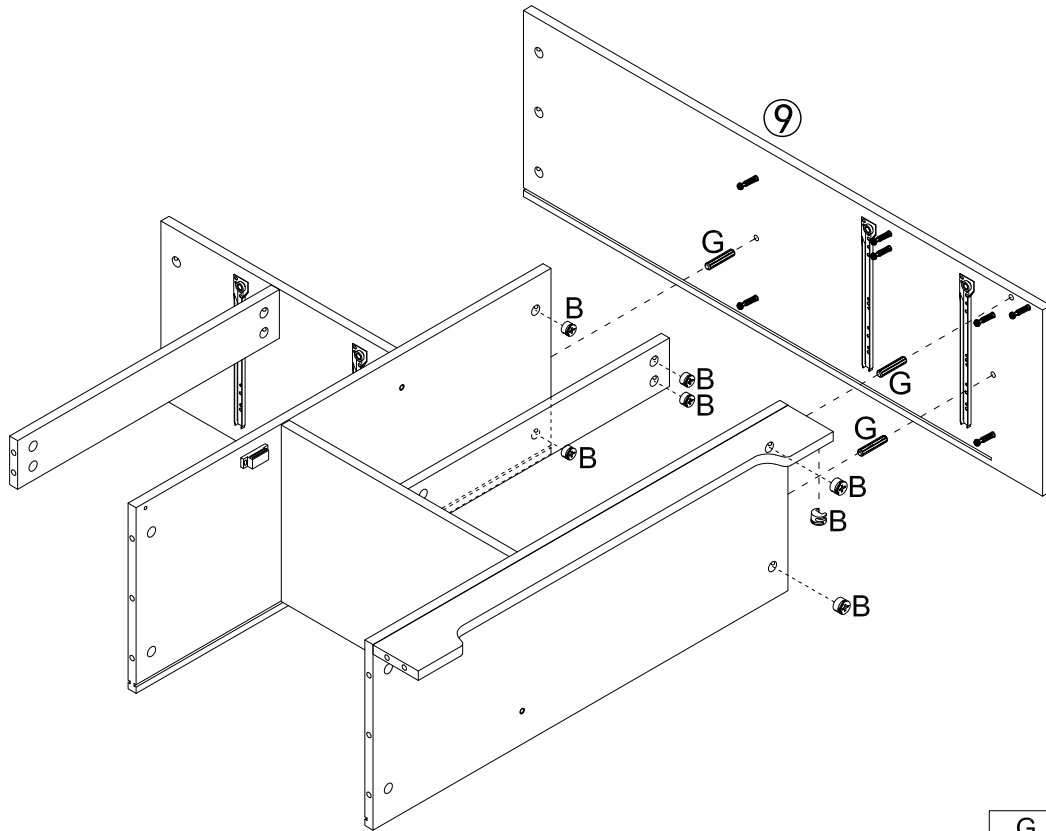
14





B	X2
	
Ø15x9mm	

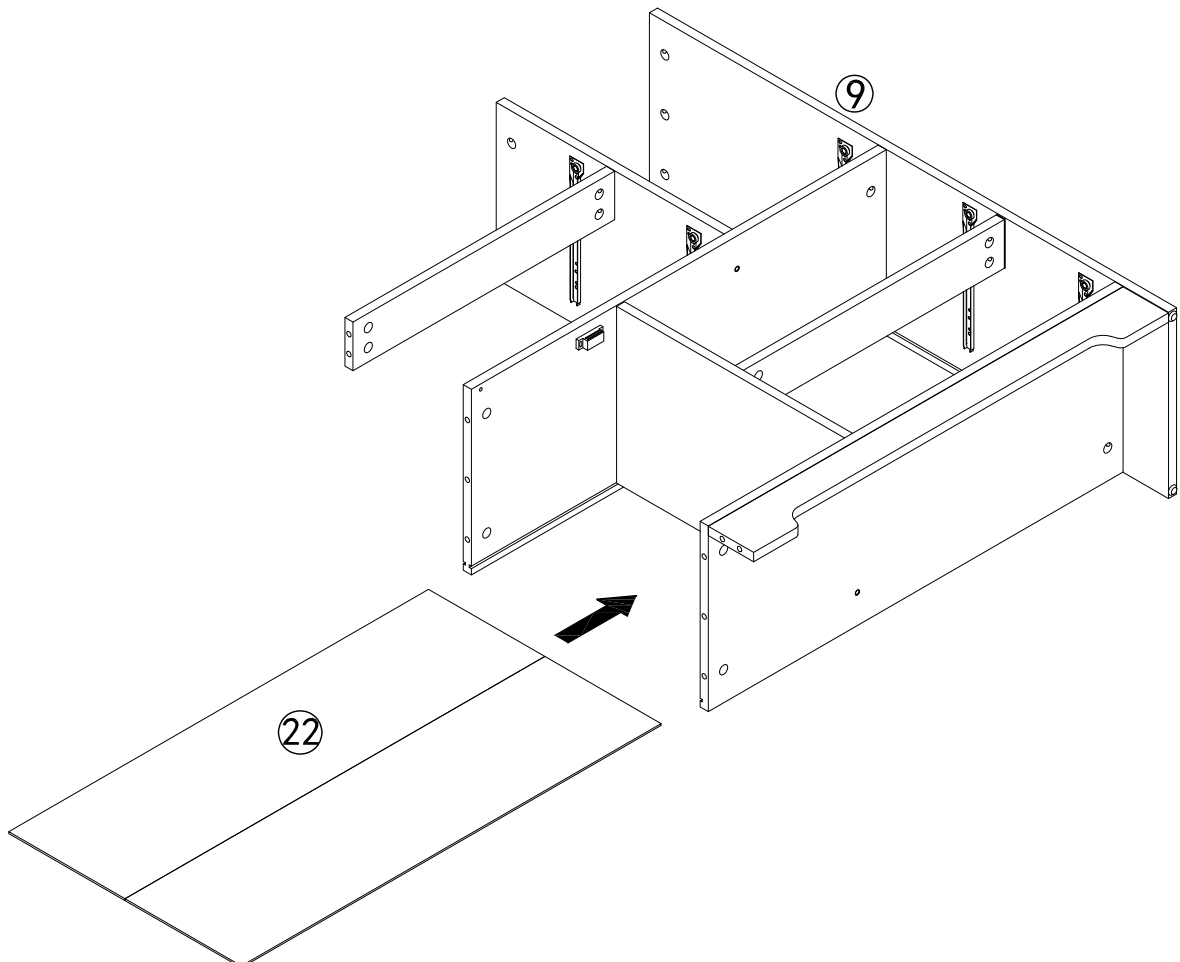


15

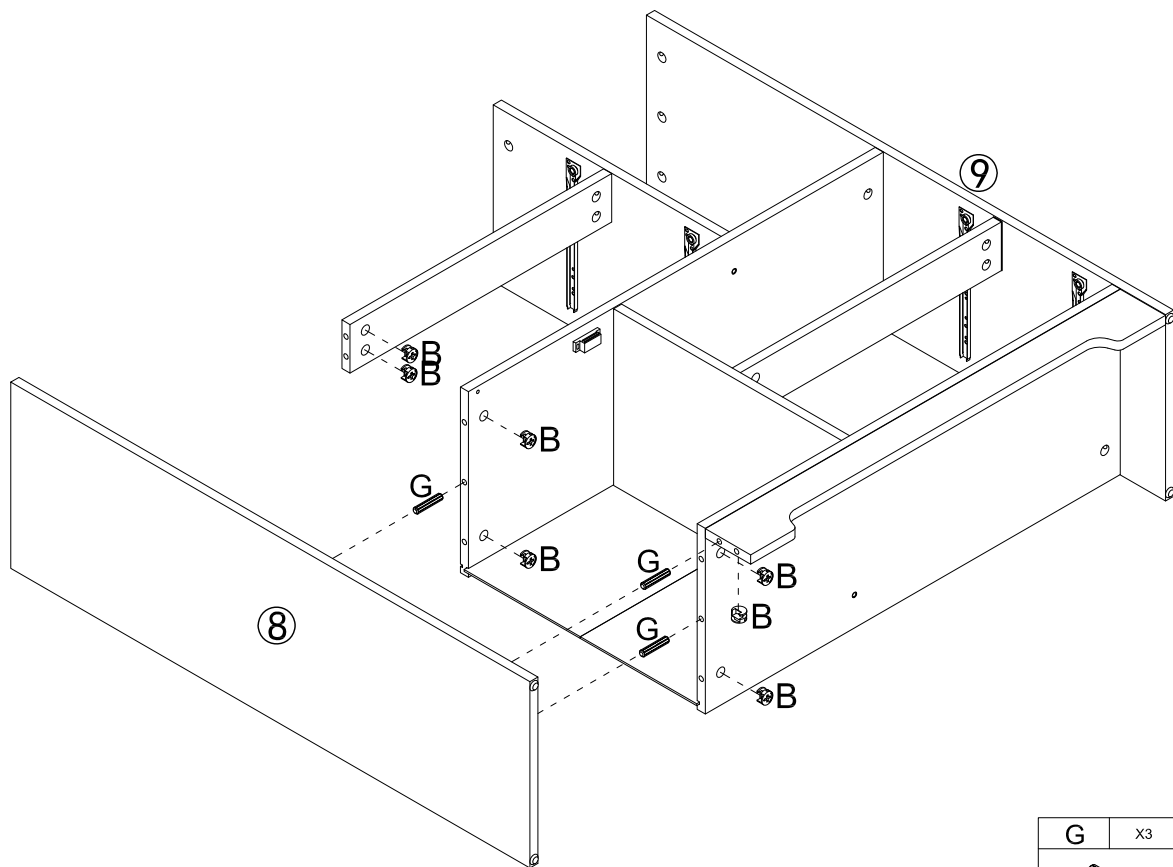




G	X3	B	X7
			
Ø8x30mm		Ø15x9mm	

16

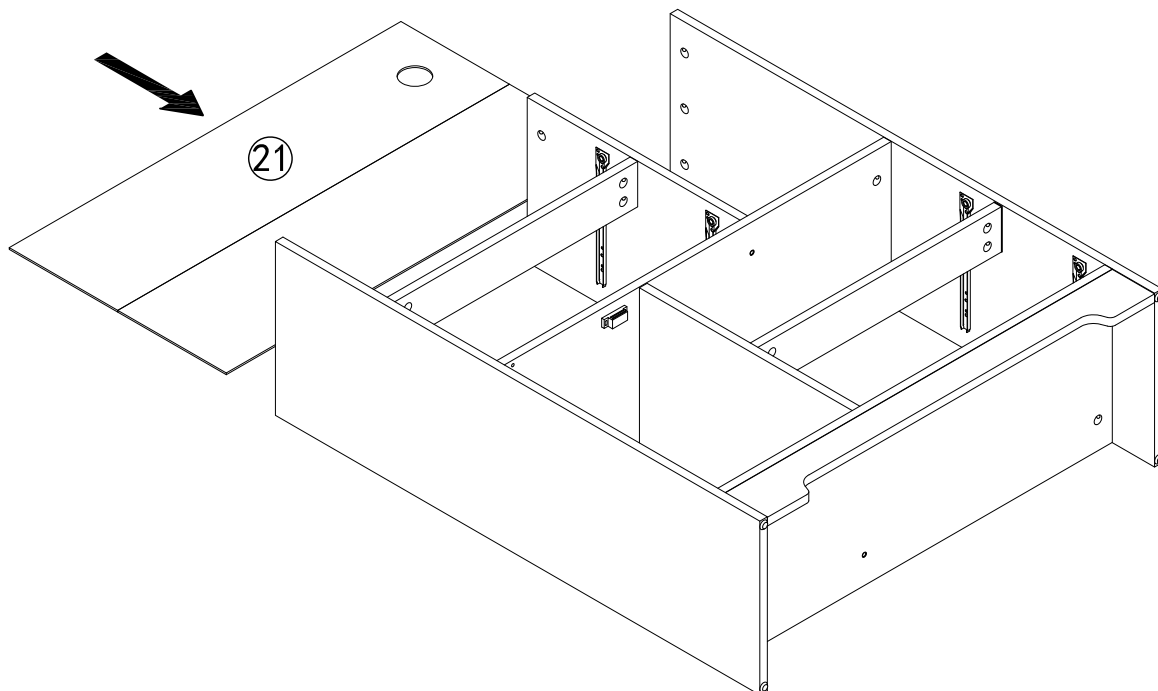


17

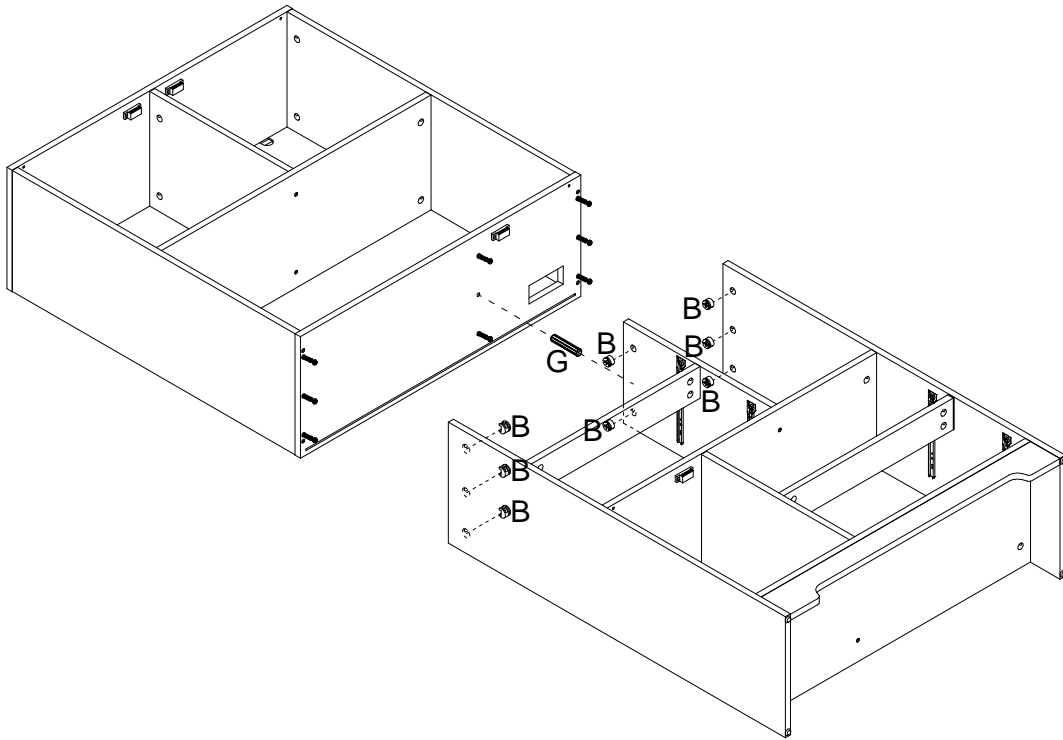



G	X3	B	X7
			
Ø8x30mm		Ø15x9mm	


18



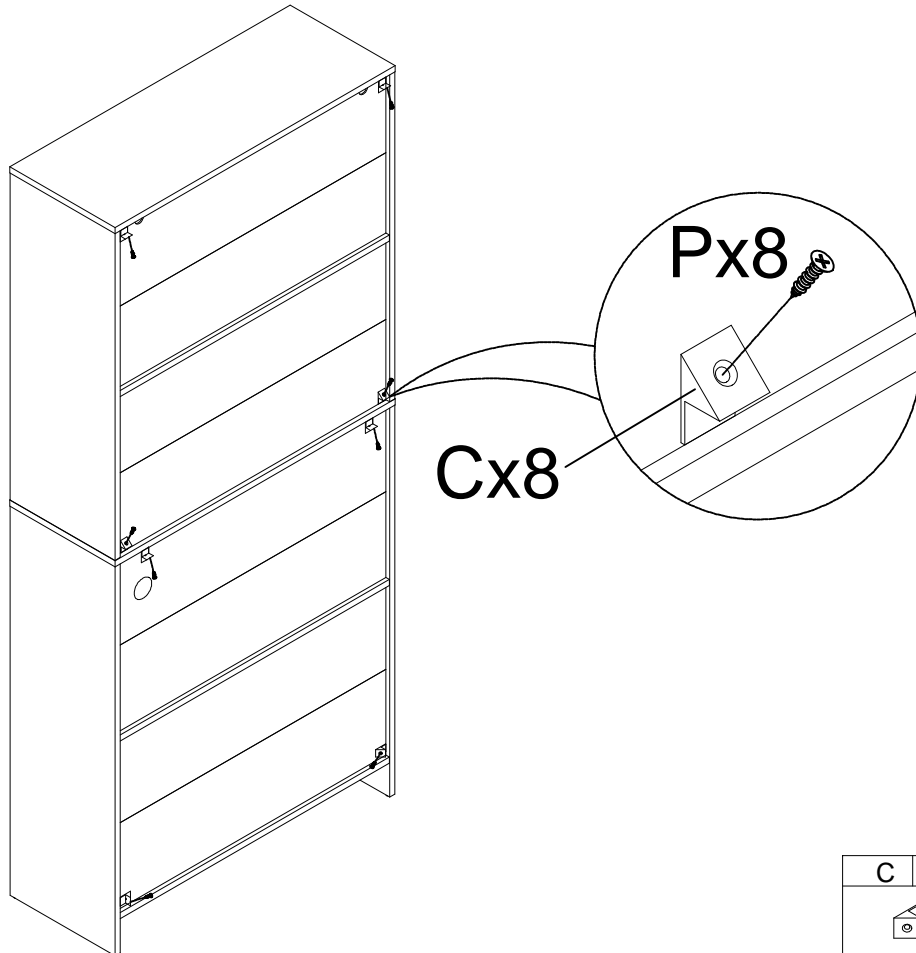
19





G	X1
	
Ø8x30mm	

B	X8
	
Ø15x9mm	

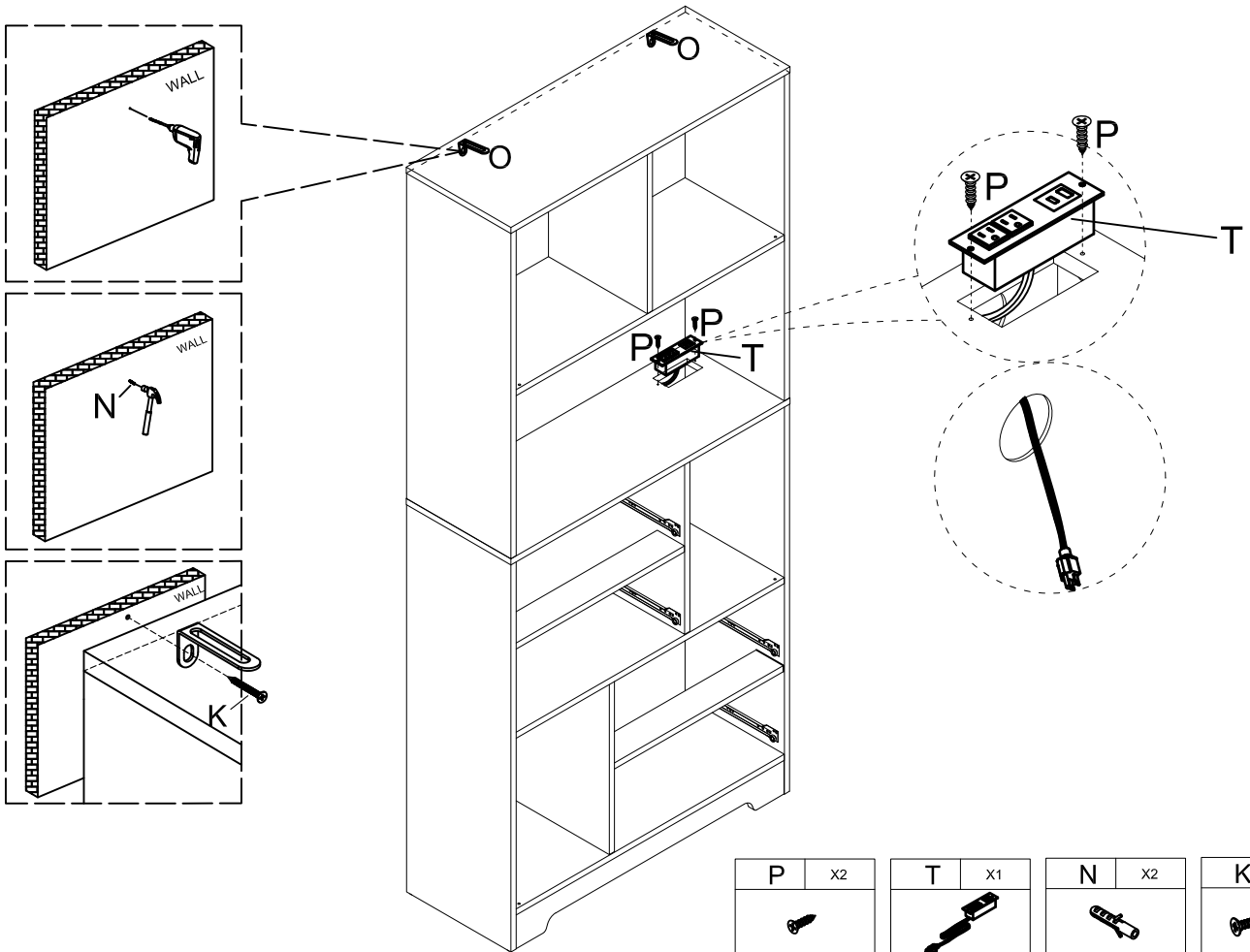
20



C	X8
	

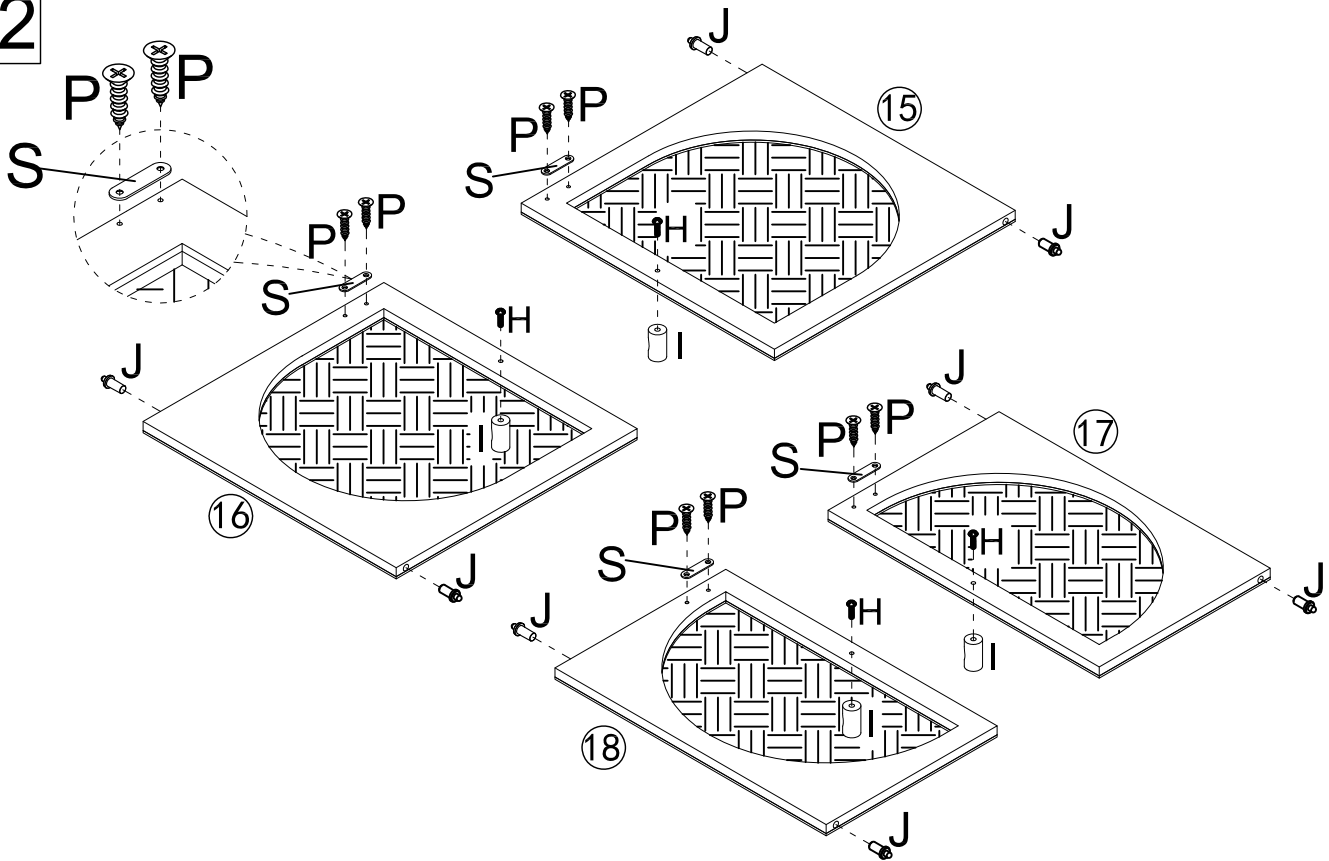
P	X8
	
M3x14mm	

21

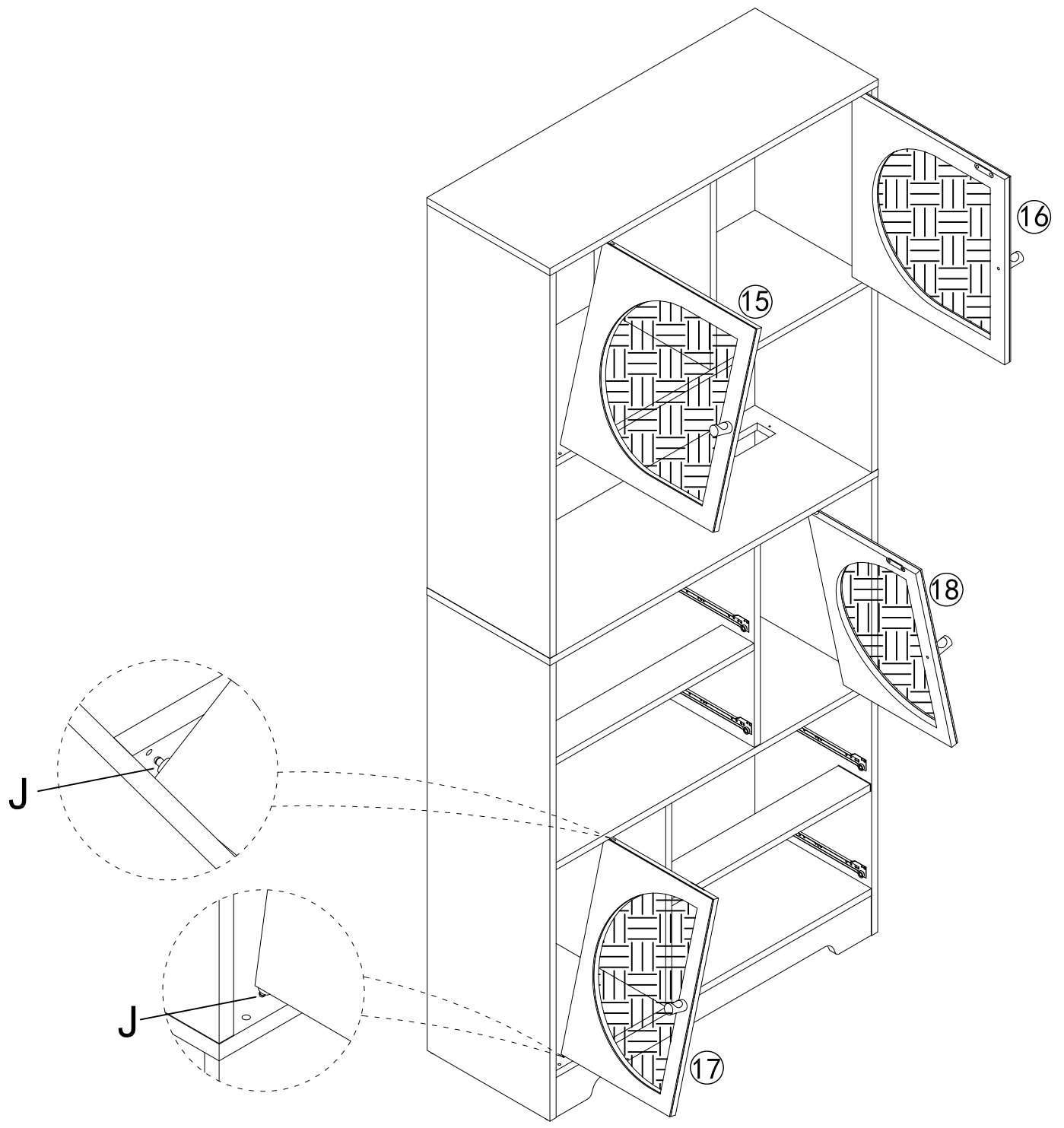


P	x2	T	x1	N	x2	K	x2
M3x14mm				Ø6x30mm		M4x35mm	

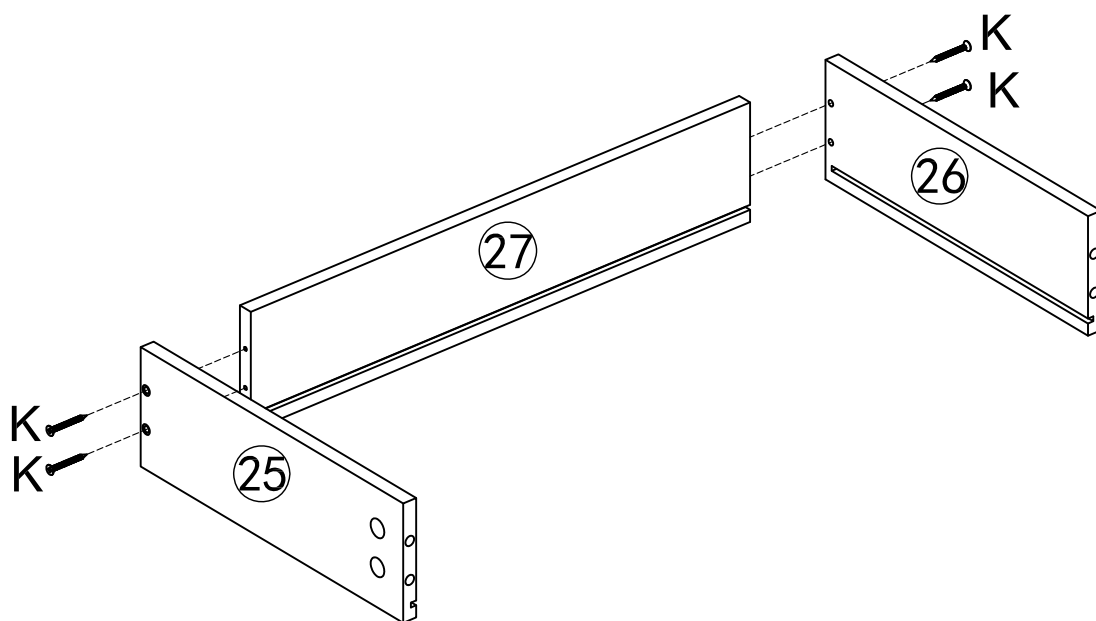
22




P	x8	S	x4	J	x8	H	x4	I	x4
M3X14						M4x18mm			



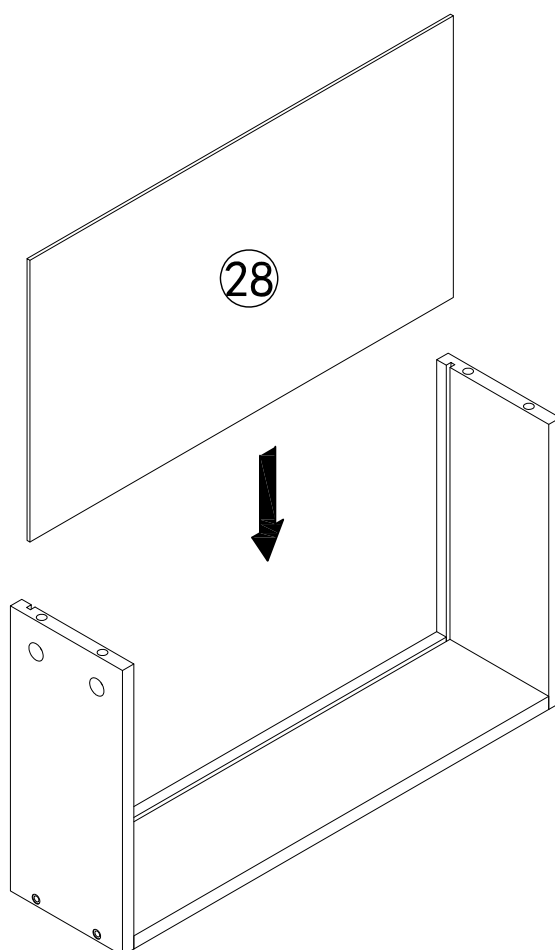
24



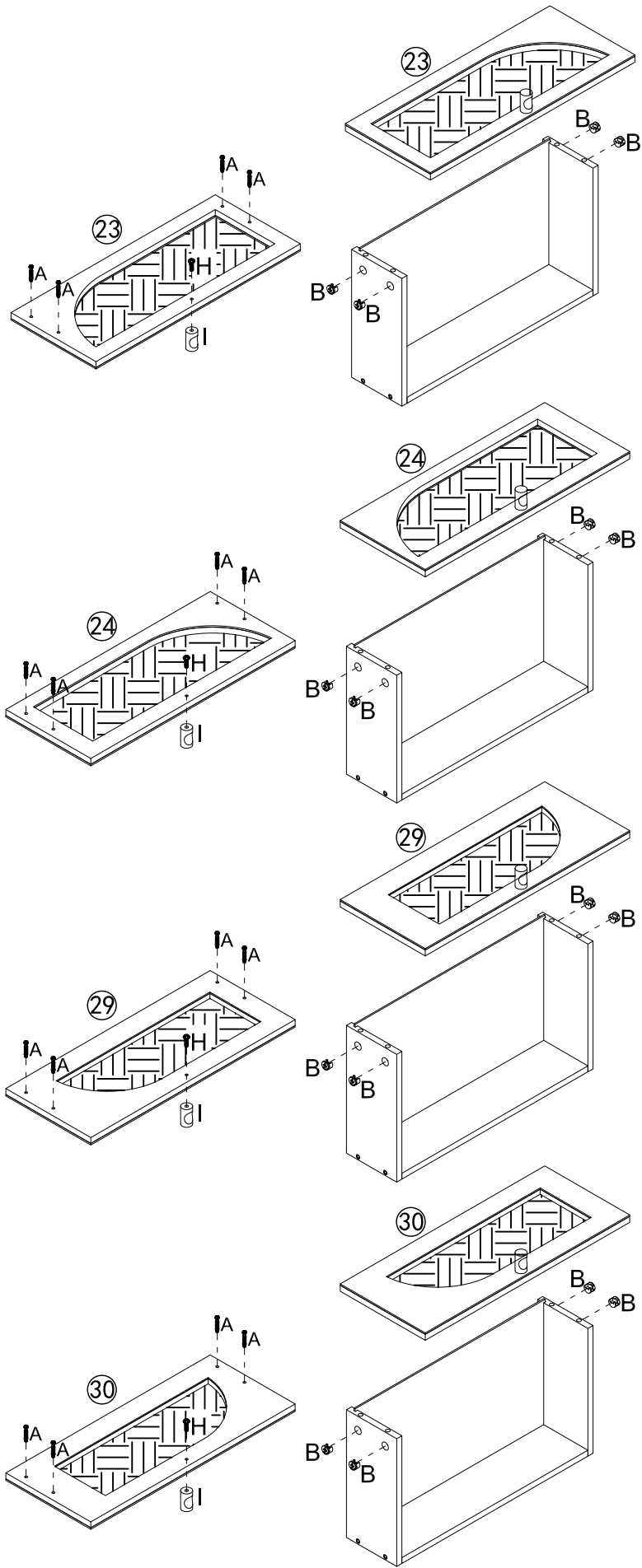
X4





K	X16
	
M4x35mm	

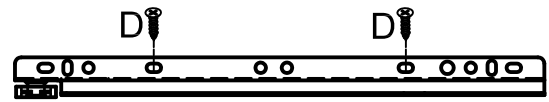
25



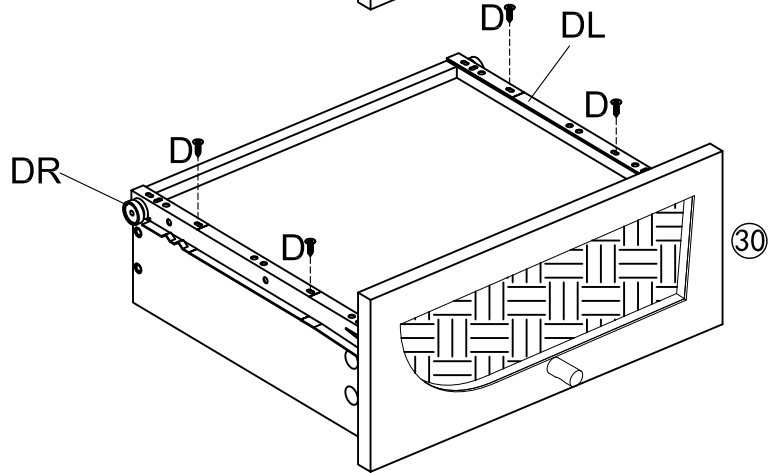
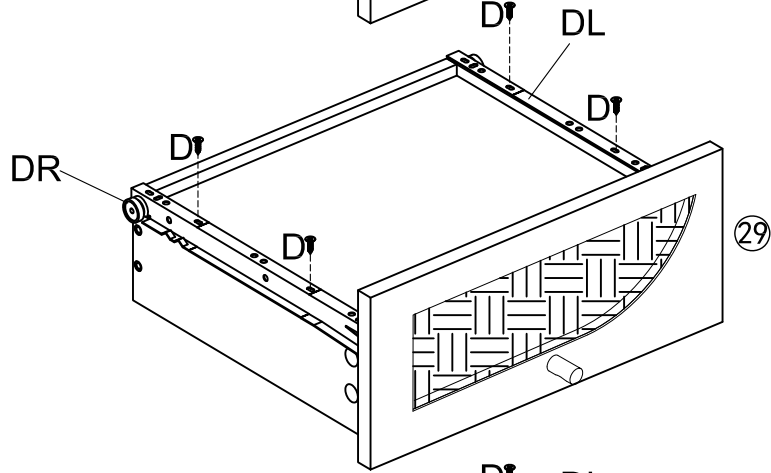
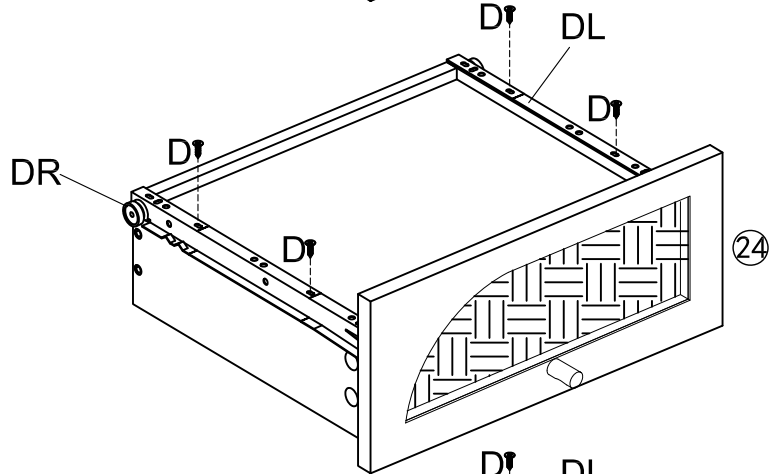
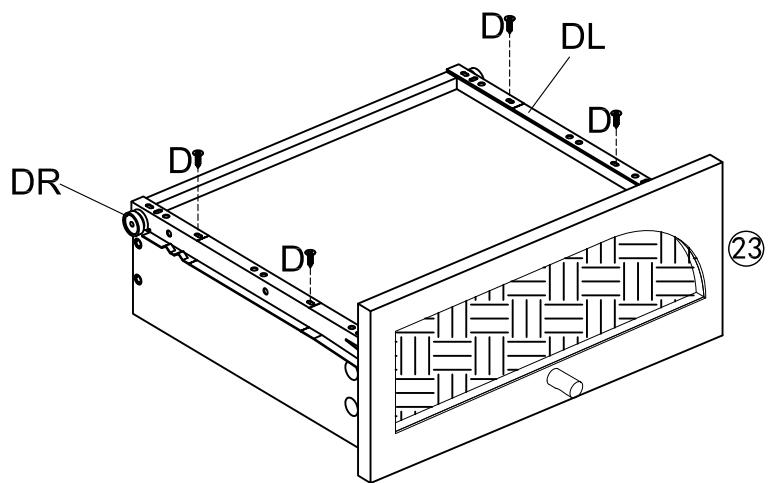
X4




H	X4	I	X4	A	X16	B	X16
							
M4x20mm				M6x35mm		Ø15x9mm	

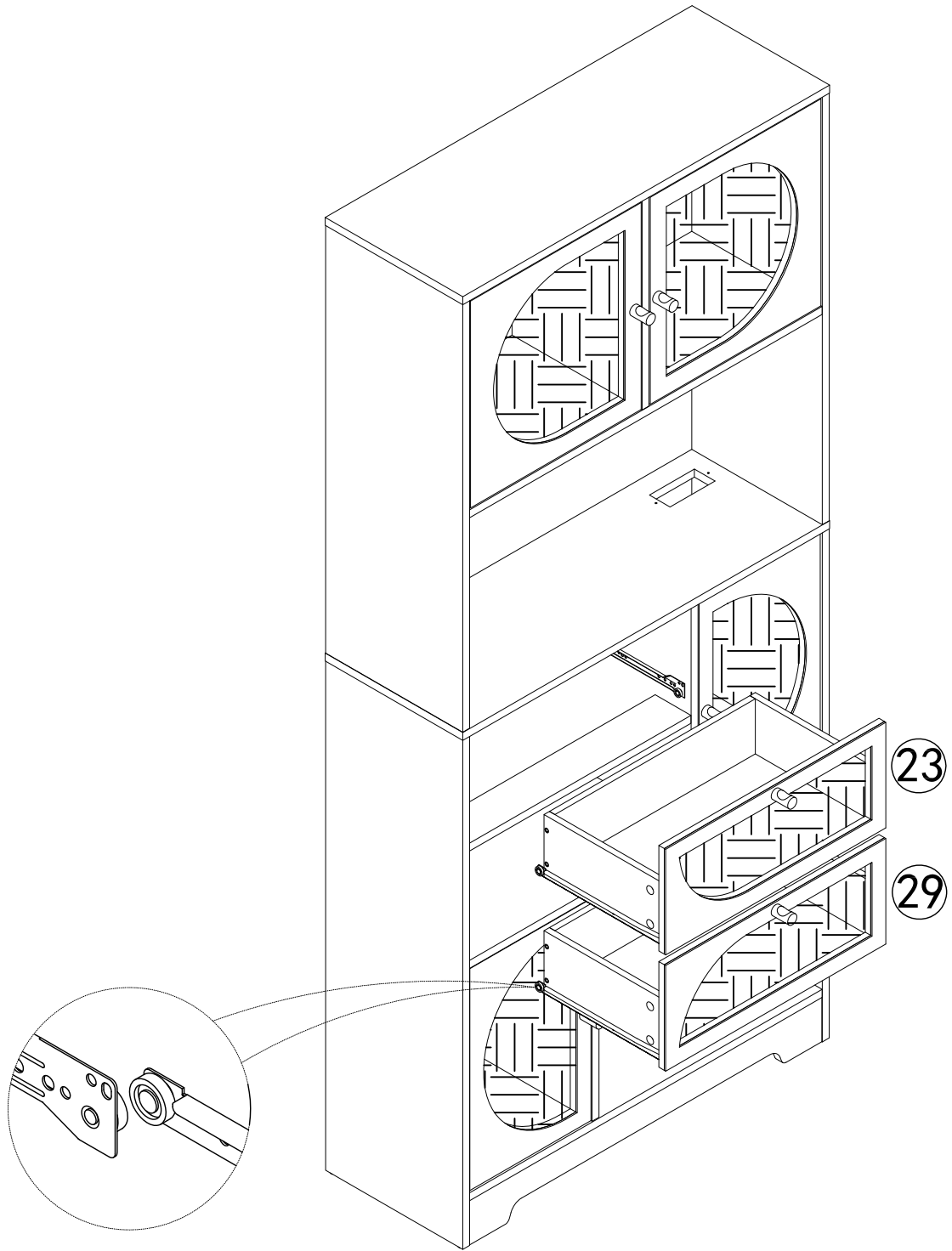


DL/DR

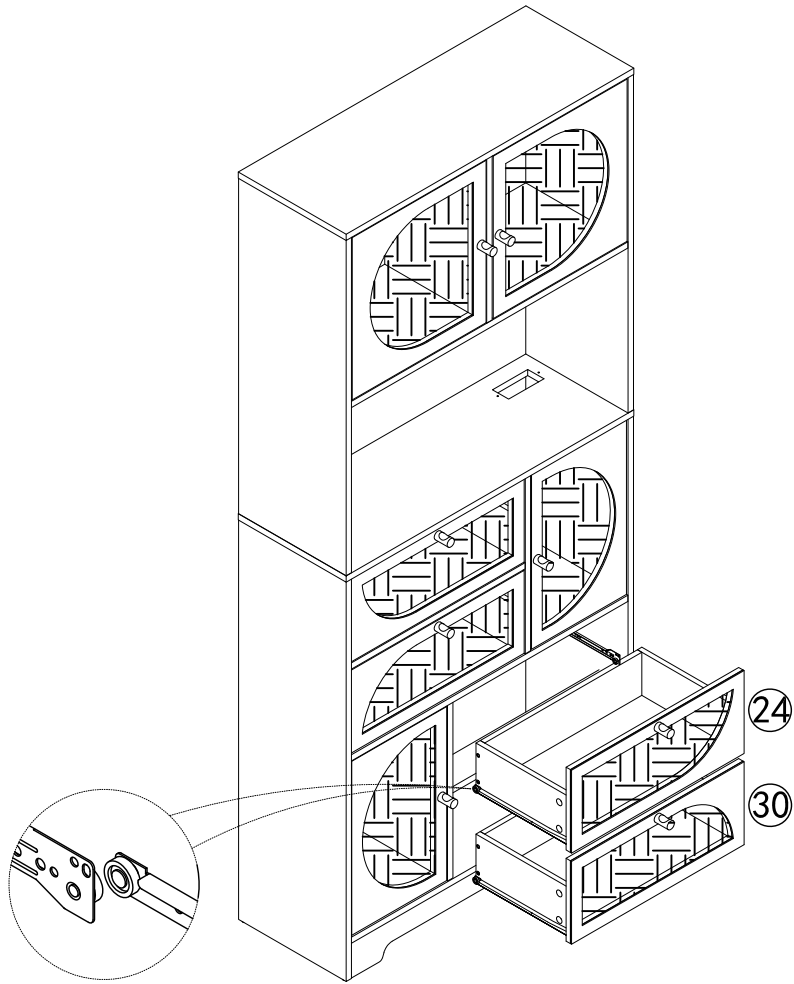


D	X16
	
M3x14mm	





29



30

