







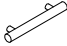









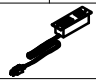
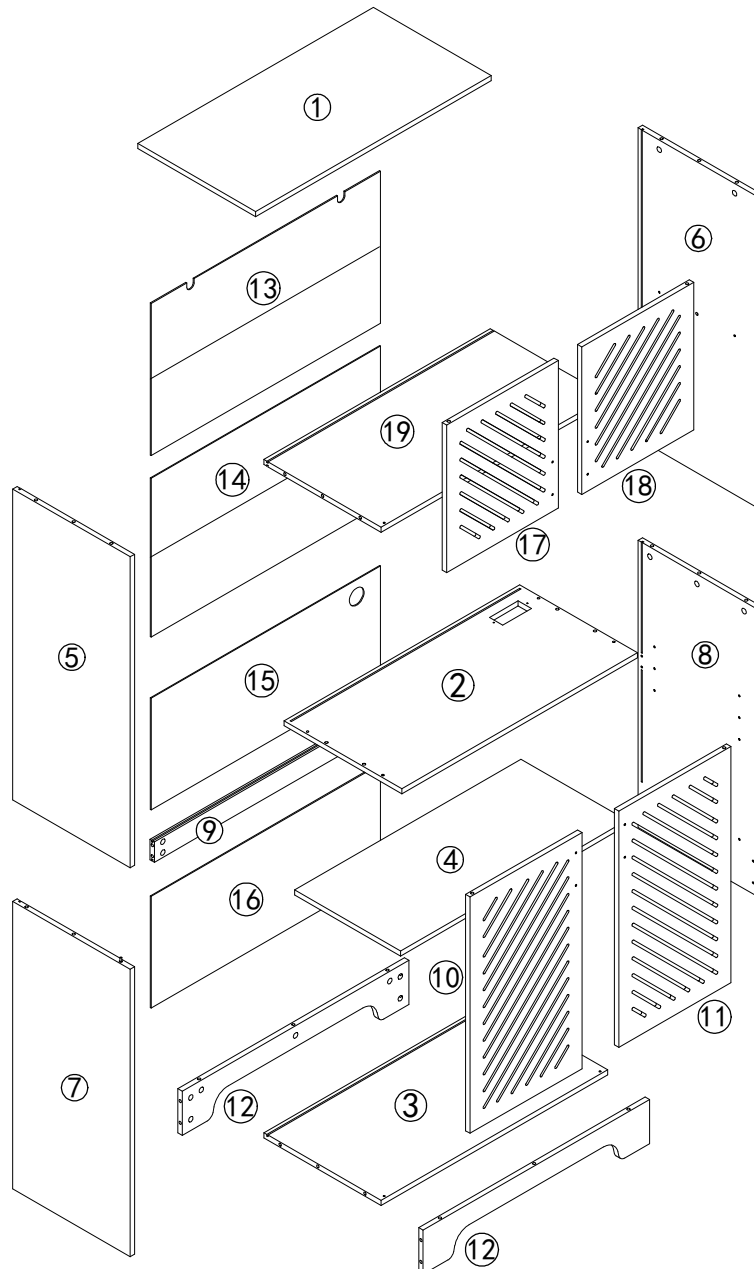
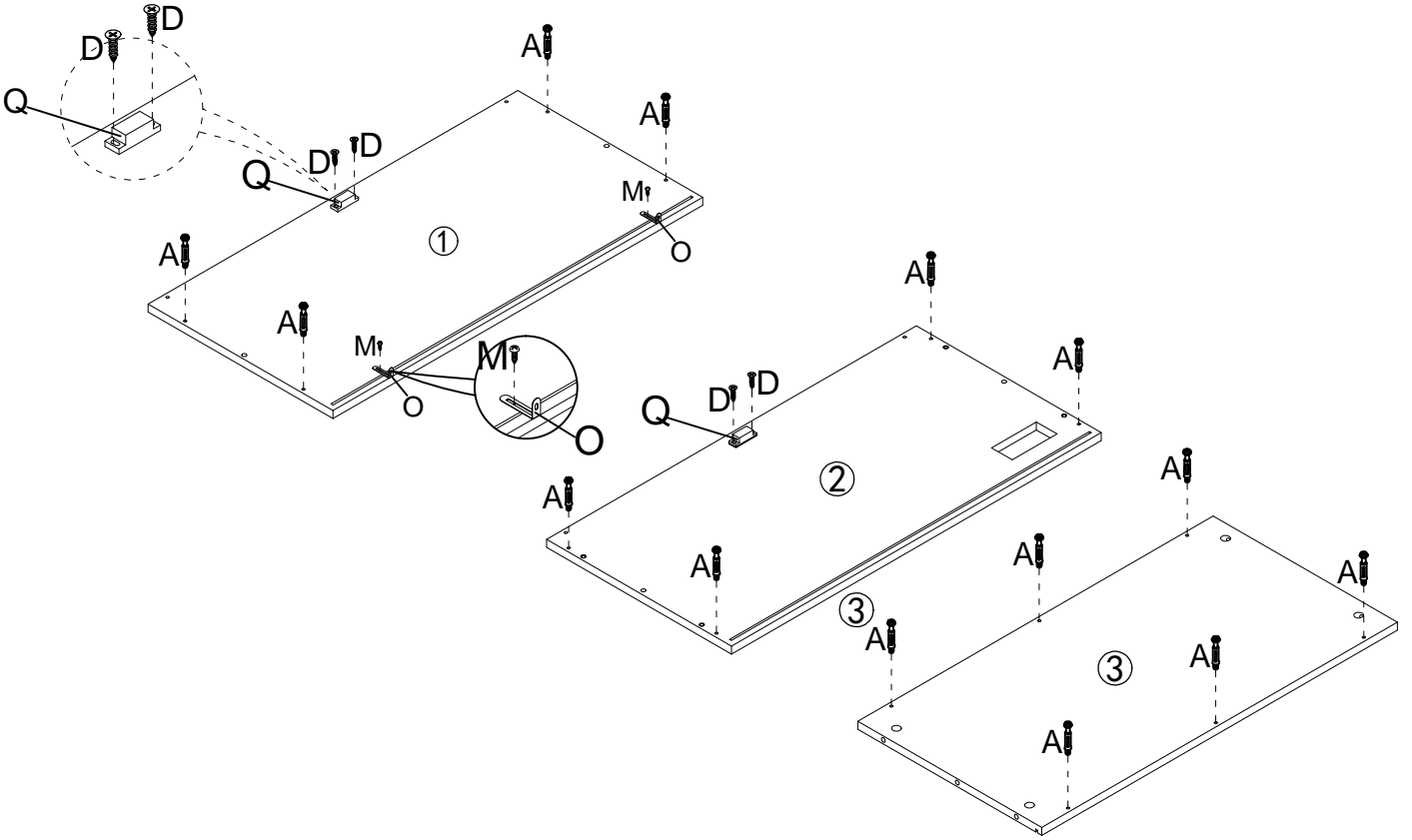


Assembly Instruction

A	X34	B	X34	C	X8	D	X16	E	X1	F	X4	G	X12	H	X8
															
M6x35mm		Ø15x9mm				M3x14mm		4mm		M5x40mm		Ø8x30mm		M4x20mm	
I	X4	J	X4	K	X2	M	X2	N	X2	O	X2	P	X2	Q	X2
															
				M4x35mm		M4x14mm		Ø6x30mm				M3x14			
S	X8	T	X4	U	X1										
															

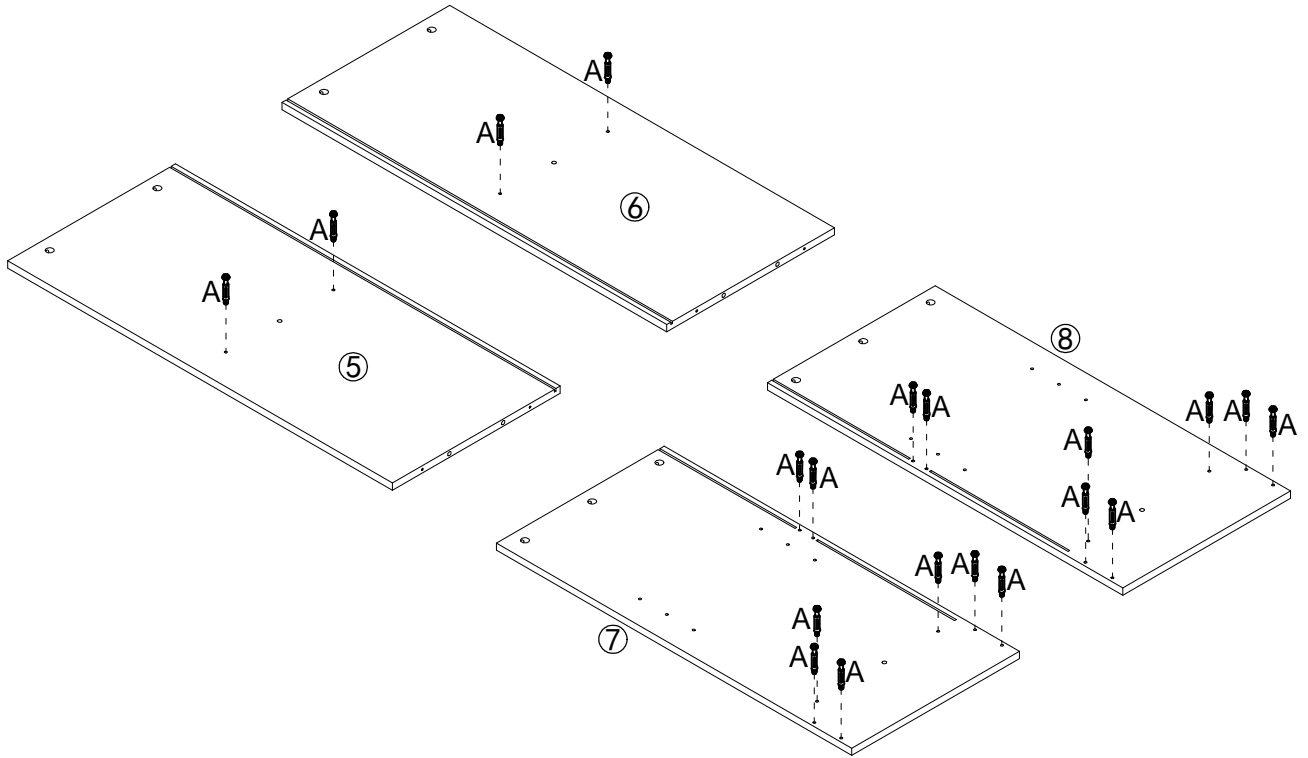


1



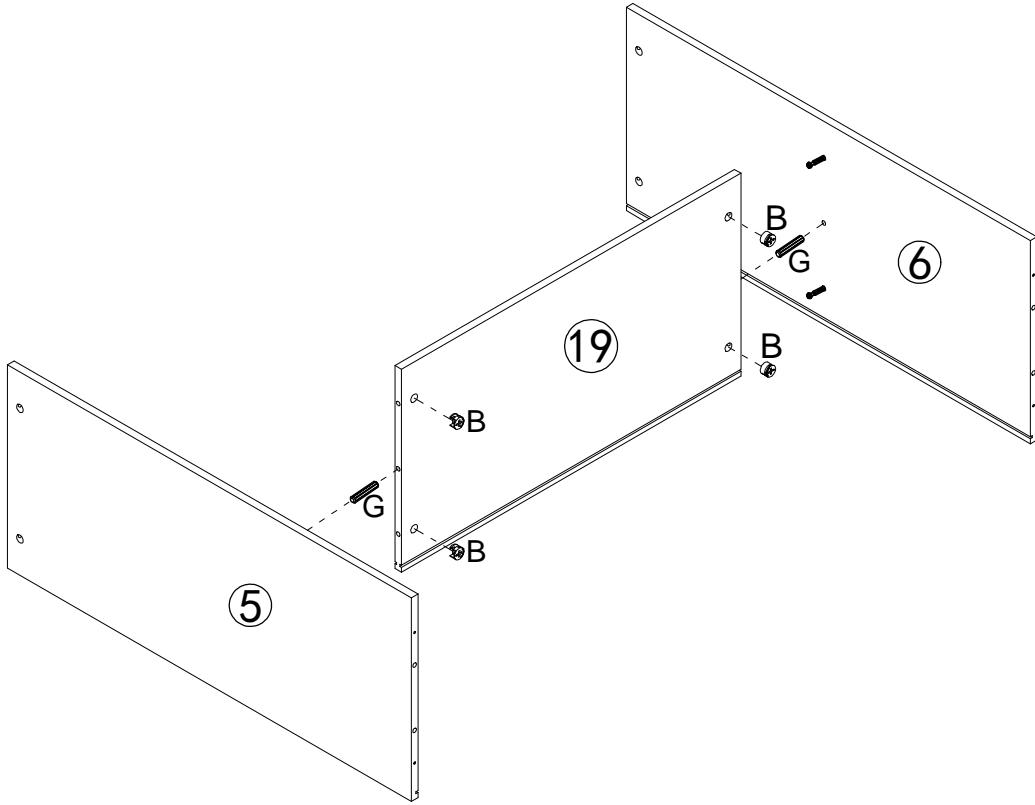
O	X2	M	X2	D	X4	Q	X2	A	X14
		M4x14mm		M3x14mm				M6x35mm	



2



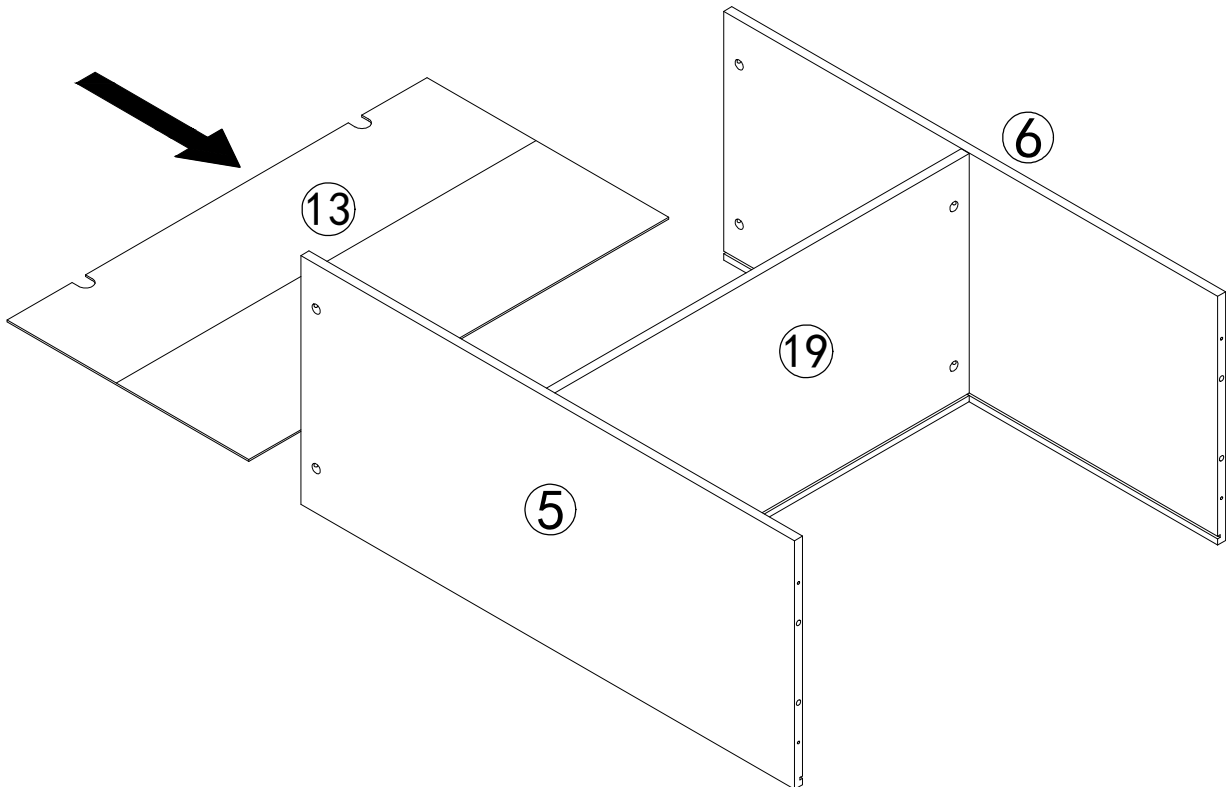
A	X20
	M6x35mm

3

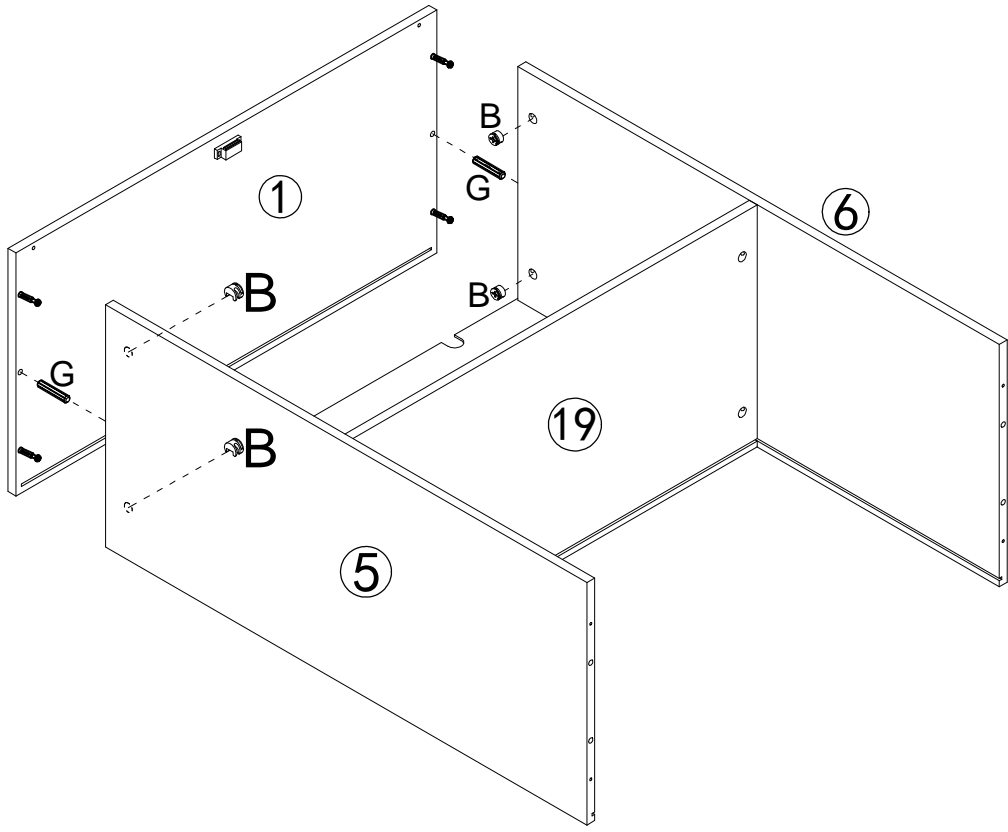




G	X2	B	X4
			
Ø8x30mm		Ø15x9mm	

4

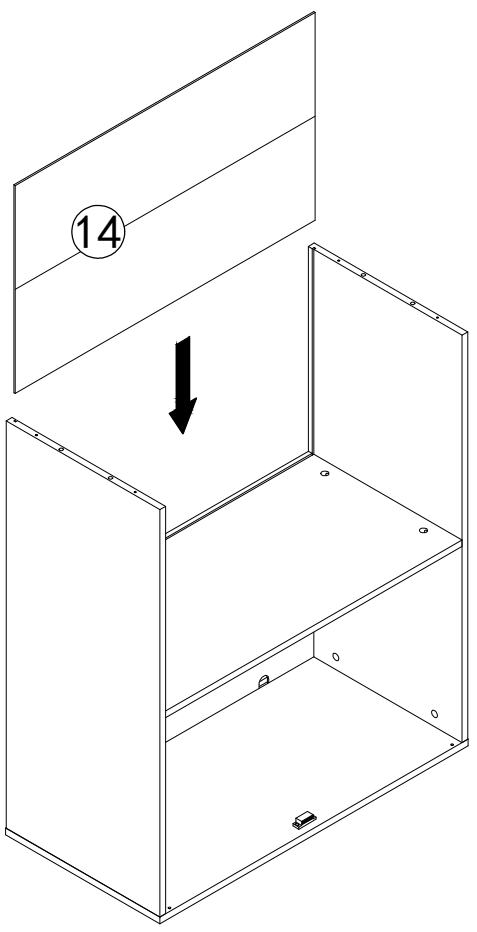


5

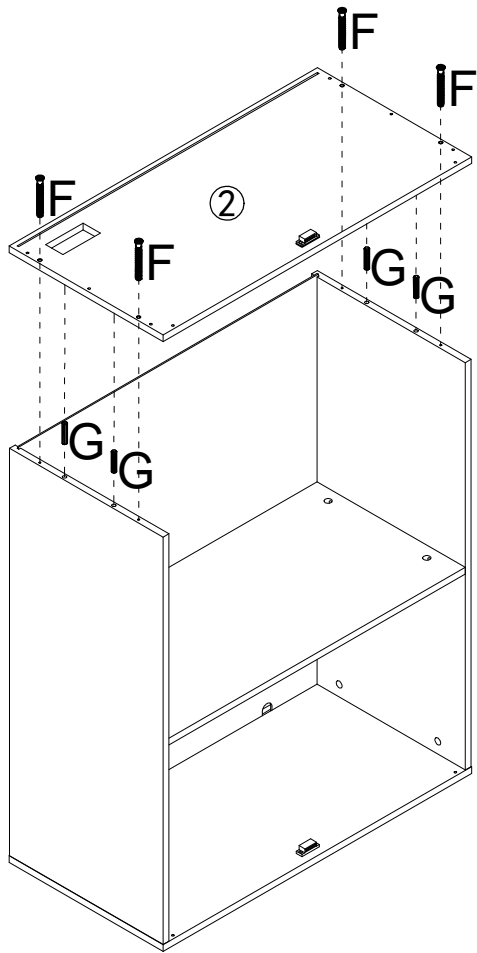



G	x2	B	x4
			
Ø8x30mm		Ø15x9mm	


6



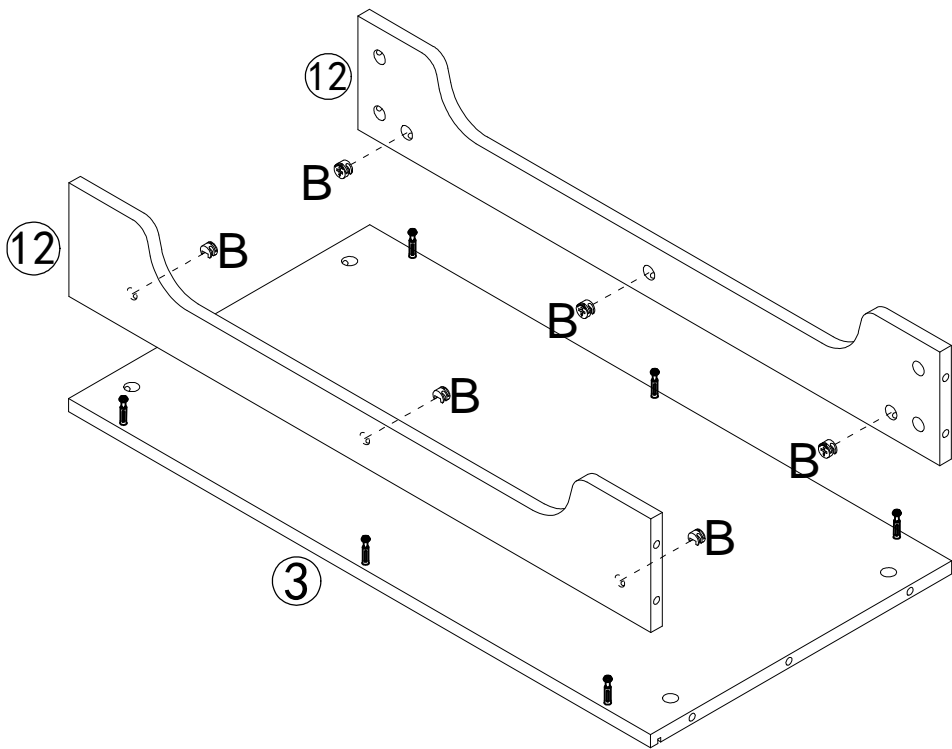
7




F	X4
	
M5x40mm	

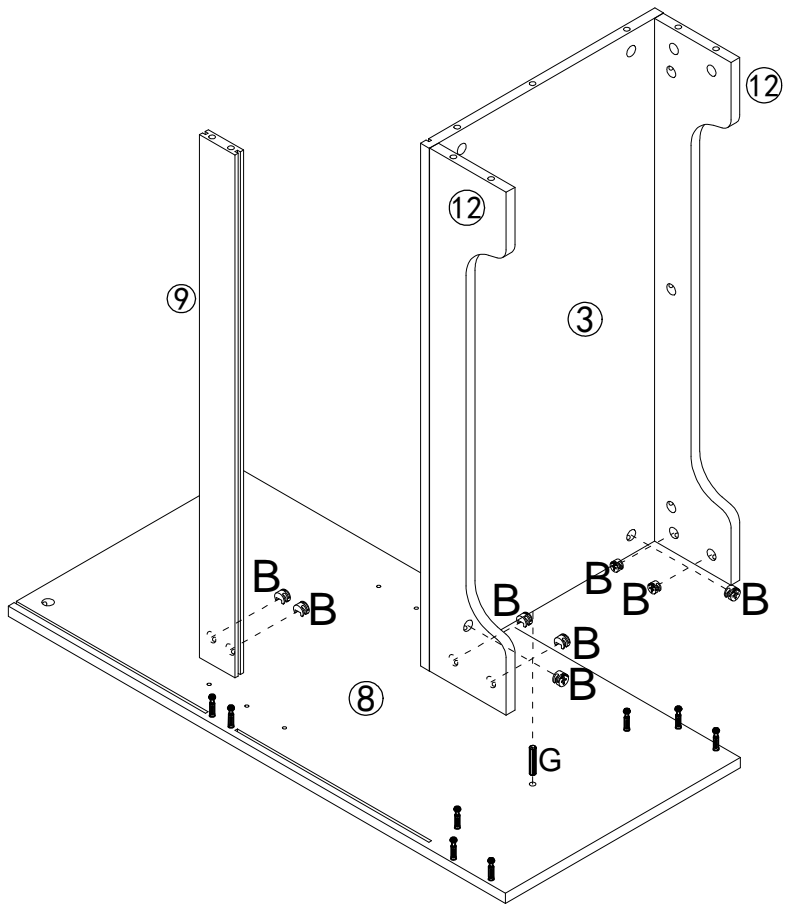
G	X4
	
Ø8x30mm	



8



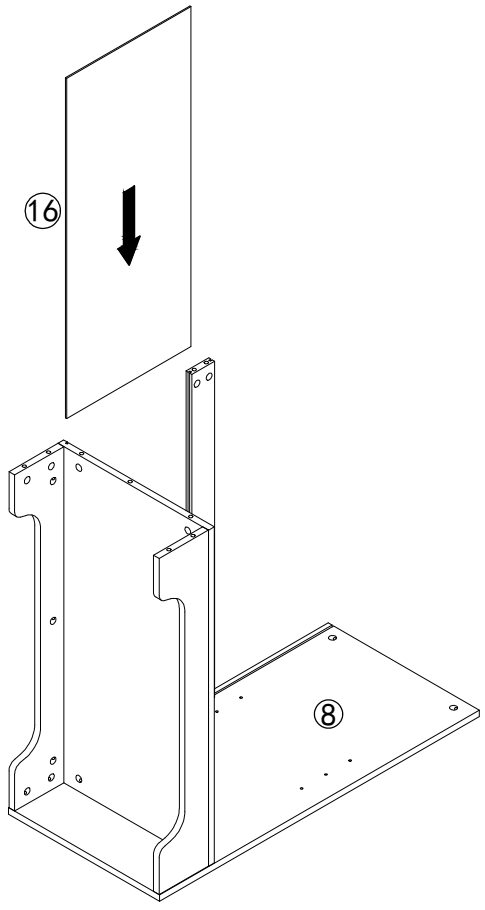
B	X6
	
Ø15x9mm	

9

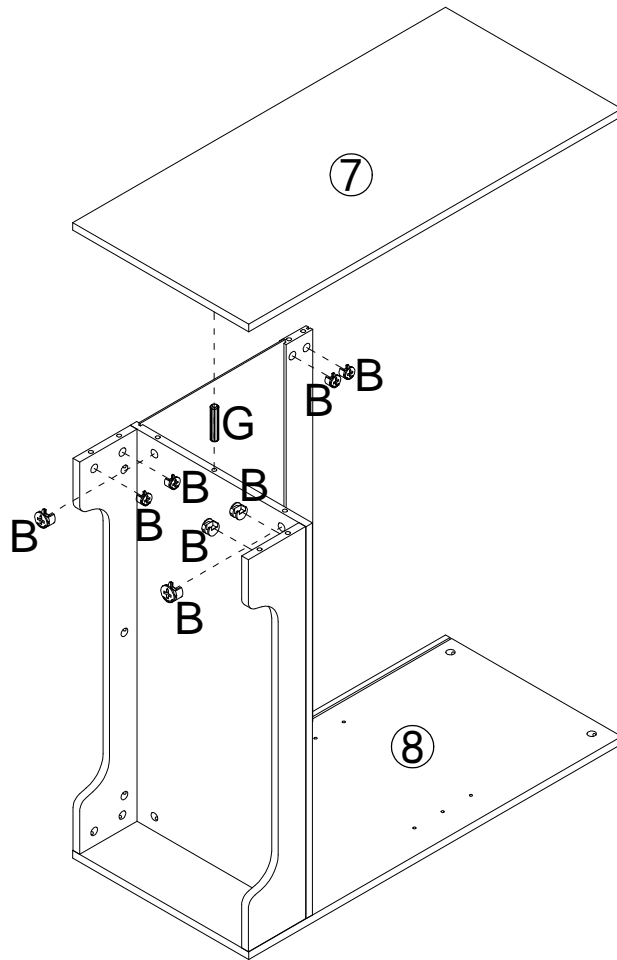




G	x1	B	x8
			
Ø8x30mm		Ø15x9mm	

10

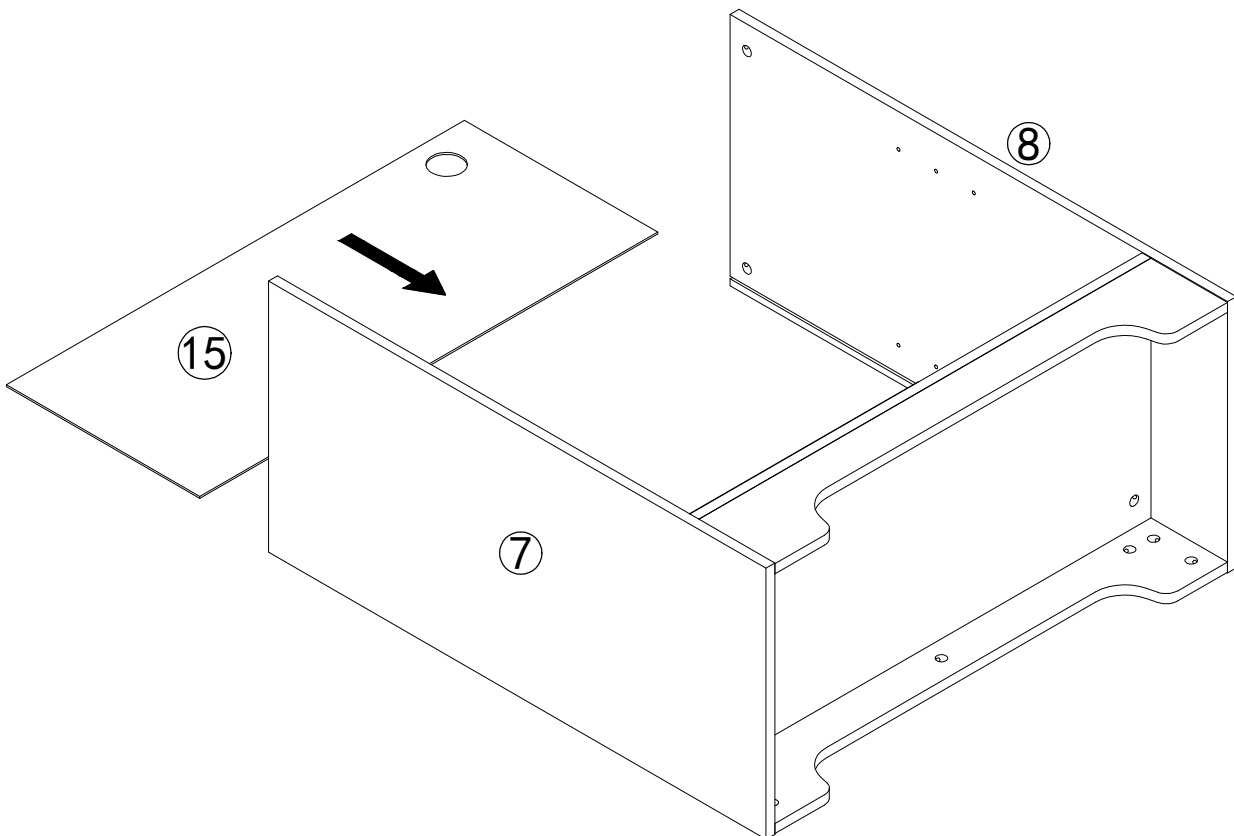


11

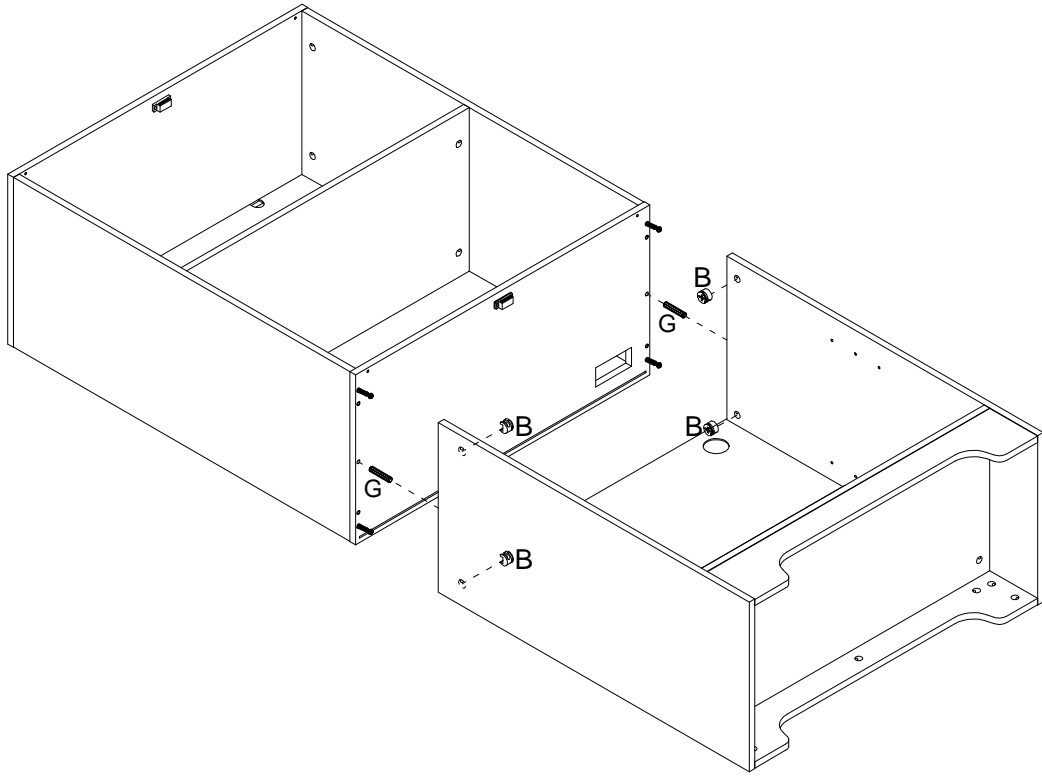



B	X8	G	X1
			
Ø15x9mm		Ø8x30mm	


12



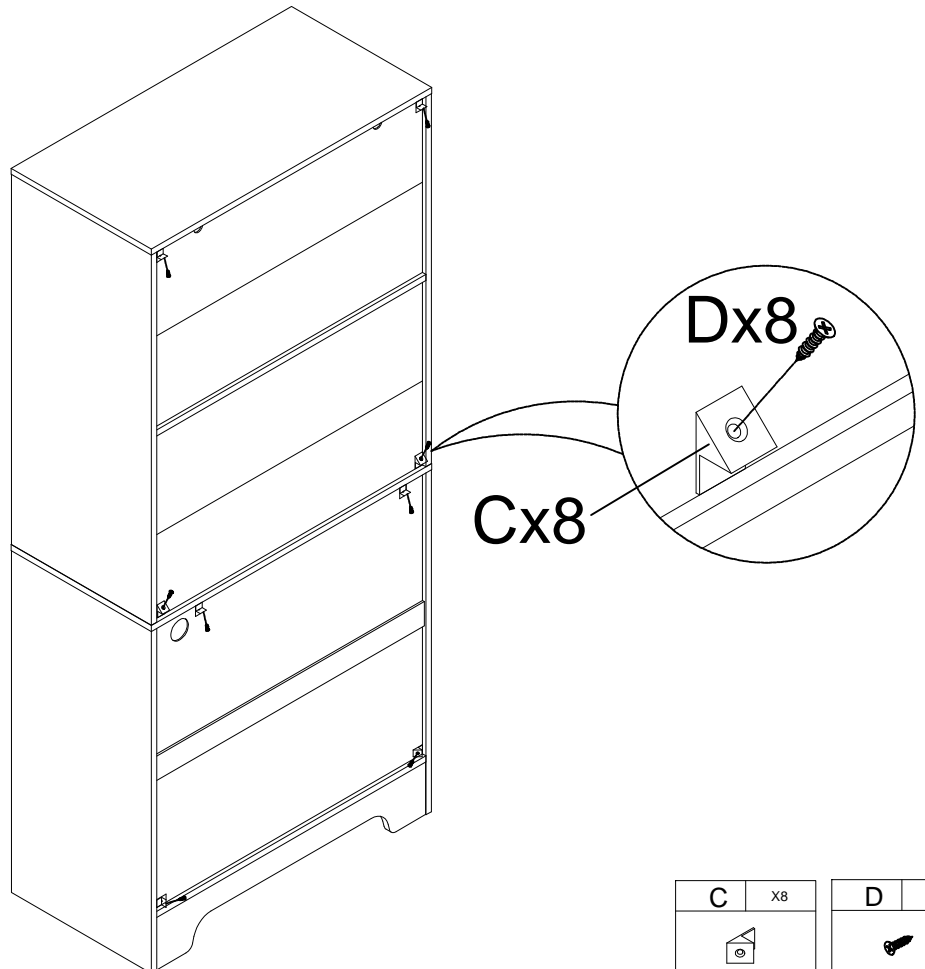
13





G	x2
	
Ø8x30mm	

B	x4
	
Ø15x9mm	

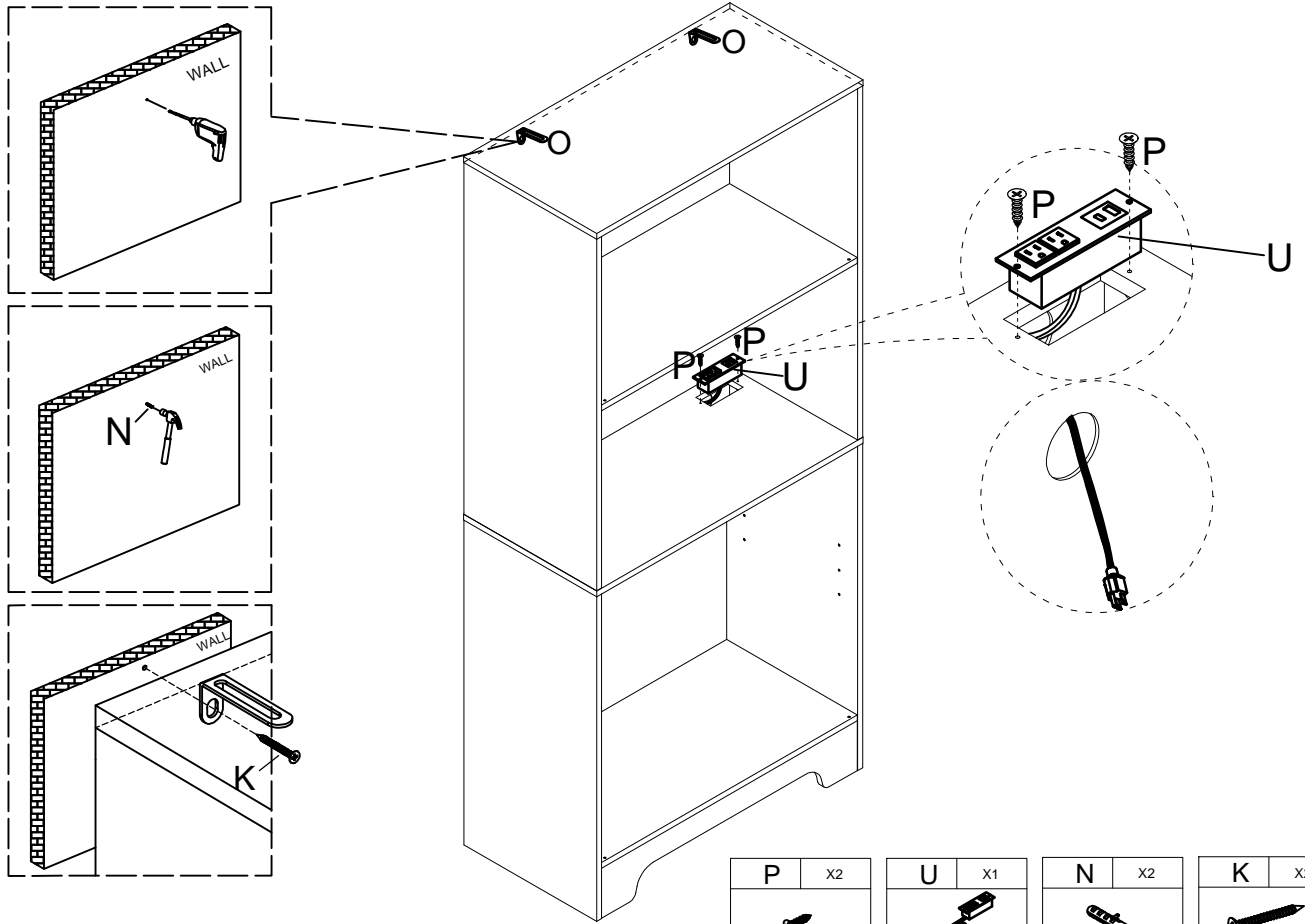
14



C	x8
	

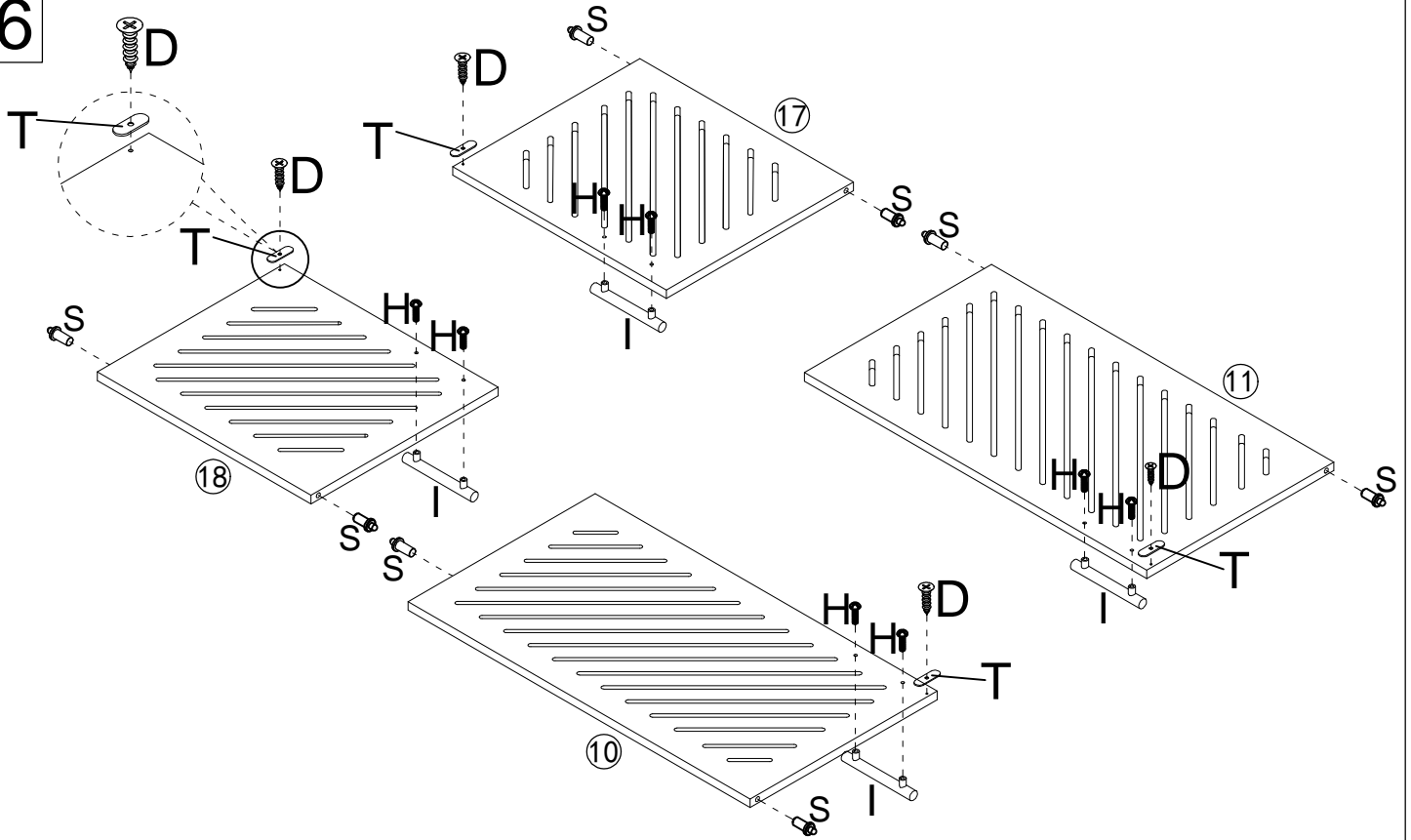
D	x8
	
M3x14mm	

15



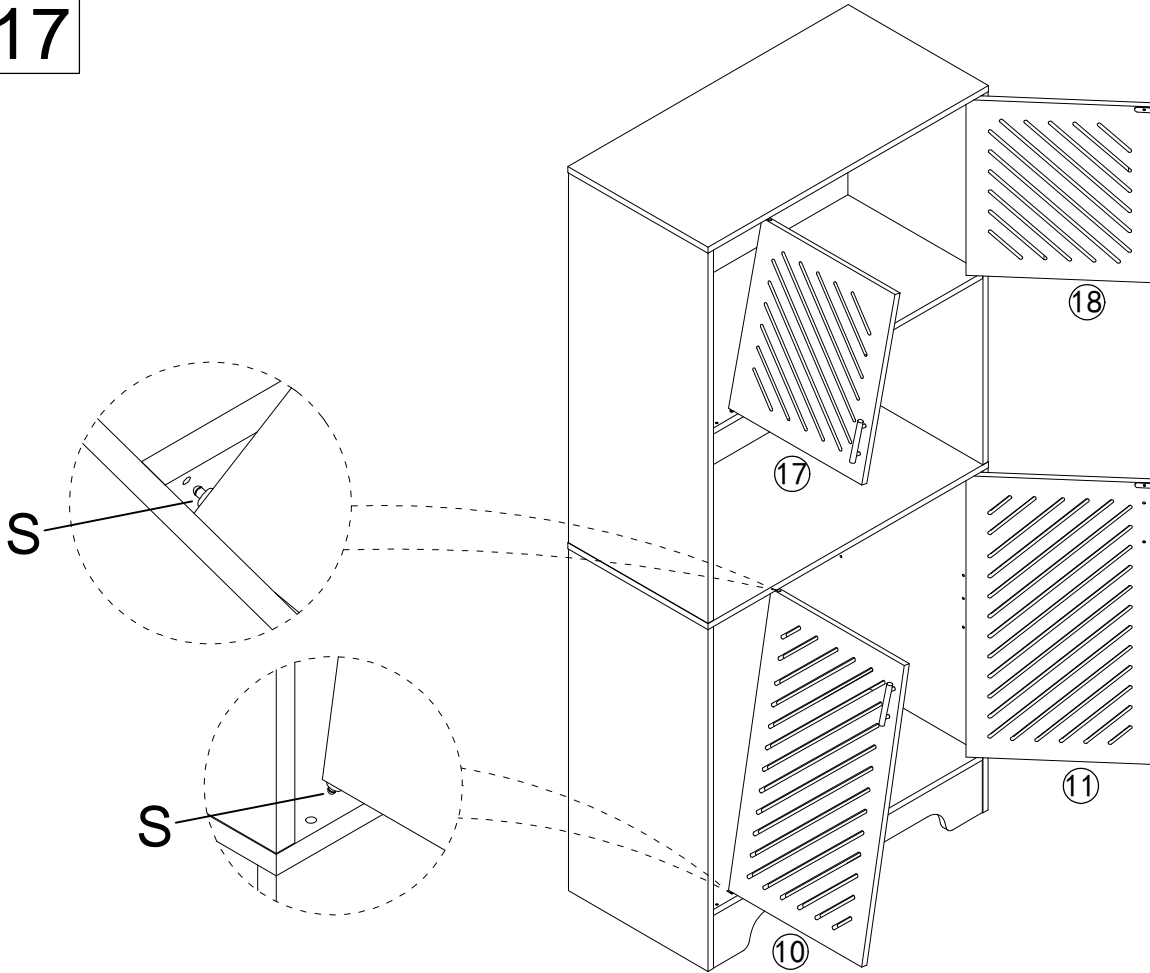
P	X2	U	X1	N	X2	K	X2
M3x14mm				Ø6x30mm		M4x35mm	

16

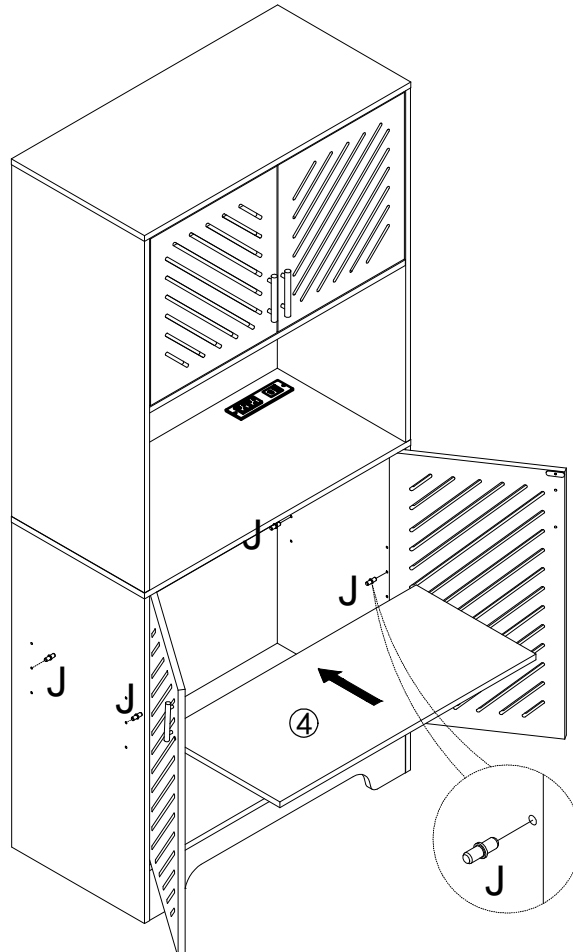


D	X4	T	X4	S	X8	H	X8	I	X4
M3X14						M4x18mm			

17



18



J	X4
