






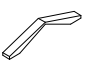

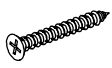


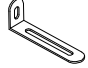
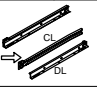
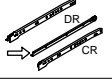
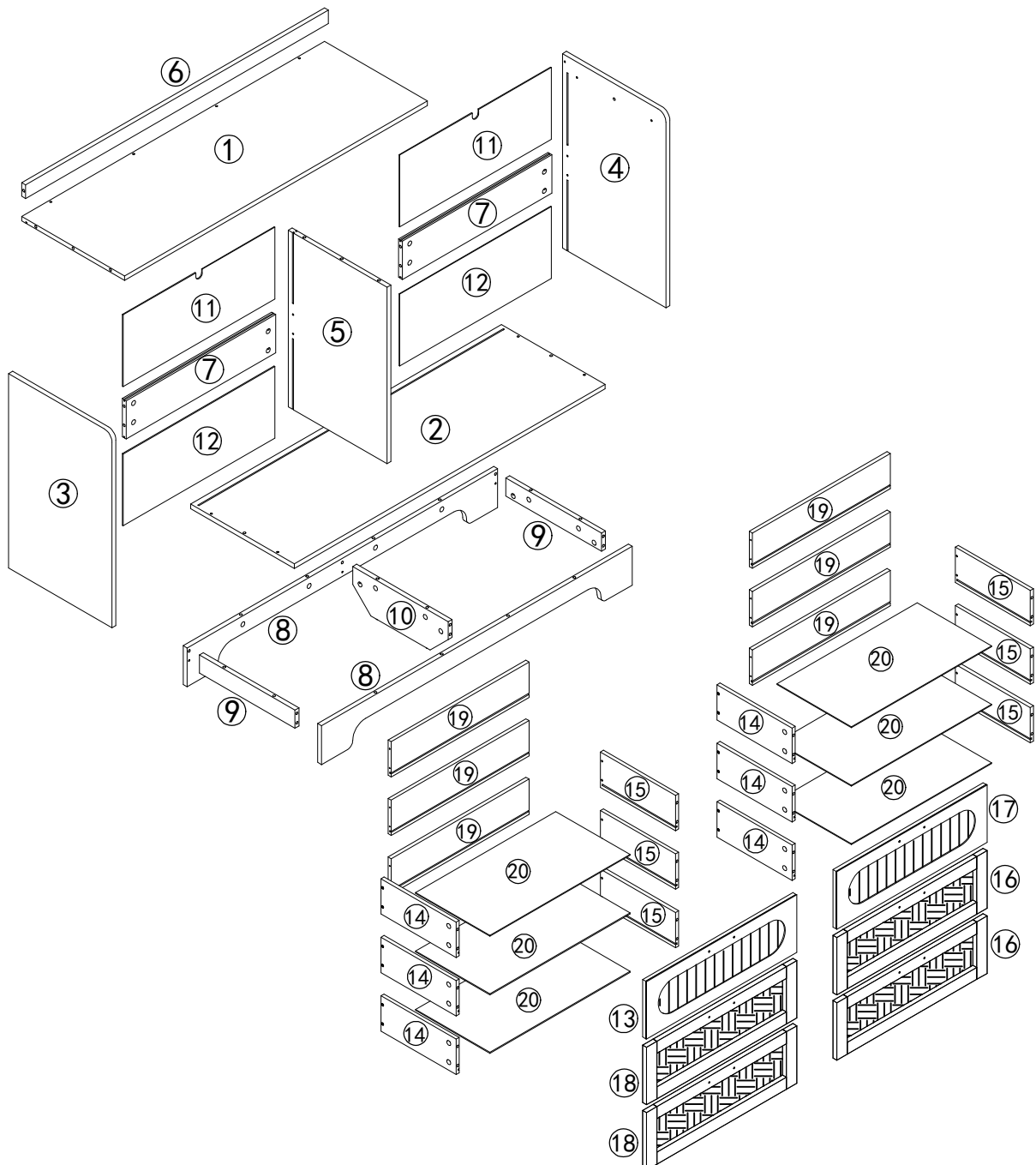
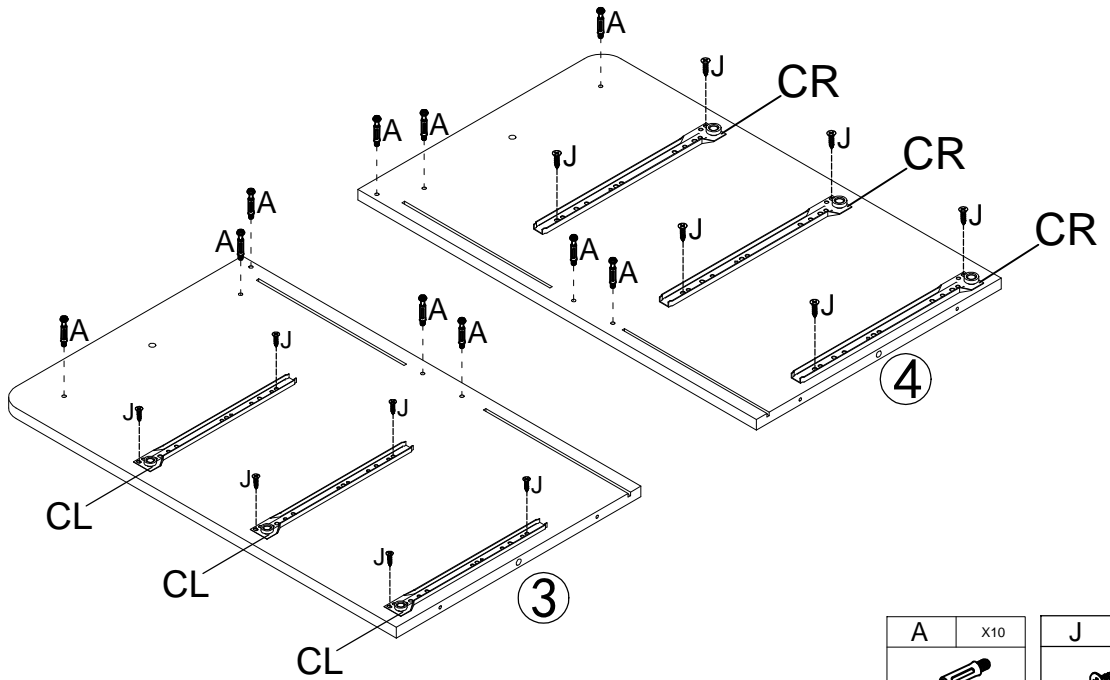
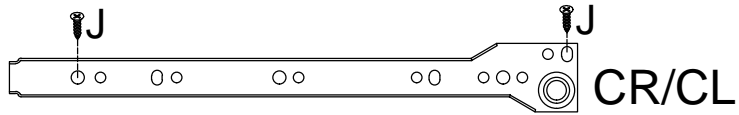




Assembly Instruction

A	X60	B	X60	C	X8	E	X1	F	X10	G	X6	H	X12
													
M6x35mm		Ø15x9mm				4mm		M5x40mm		Ø8x30mm		M4x18mm	
I	X6	J	X56	K	X26	M	X2	N	X2	O	X2	L	X6
													
		M3x14mm		M4x35mm		M4x14mm		Ø6x30mm					
R	X6												
													

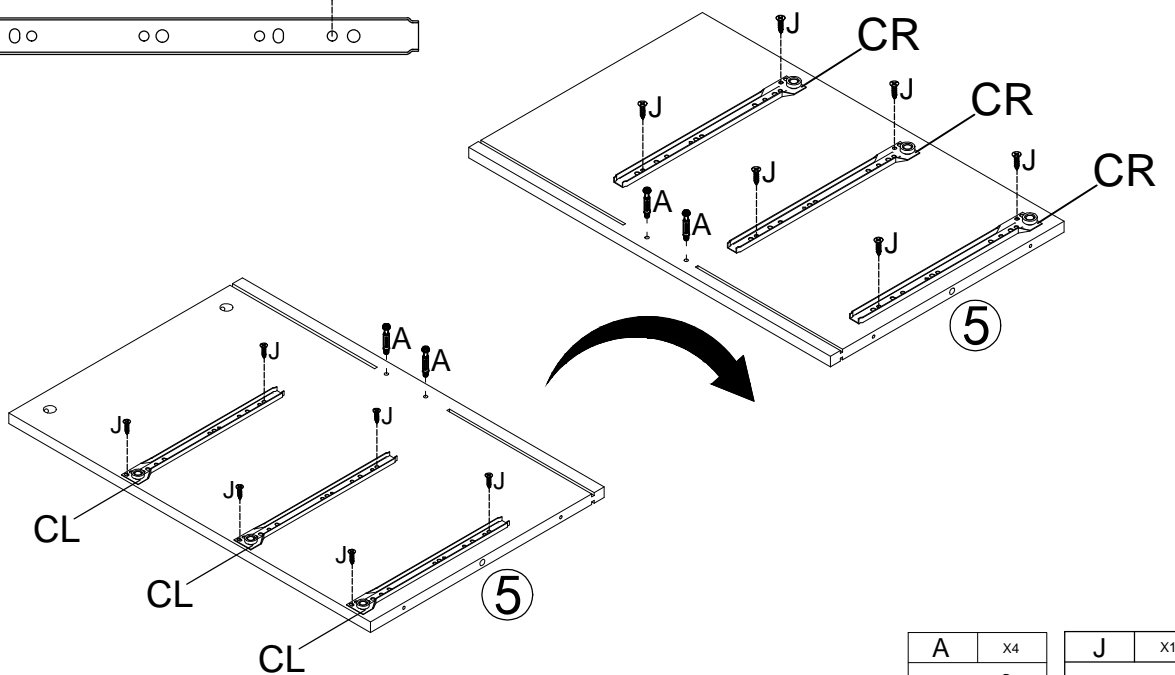
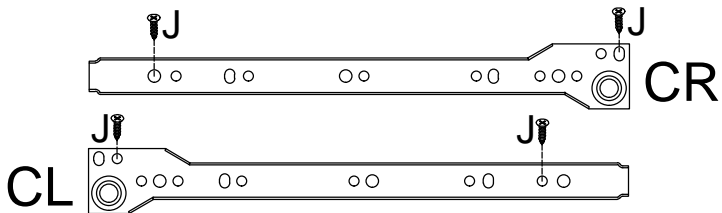




1



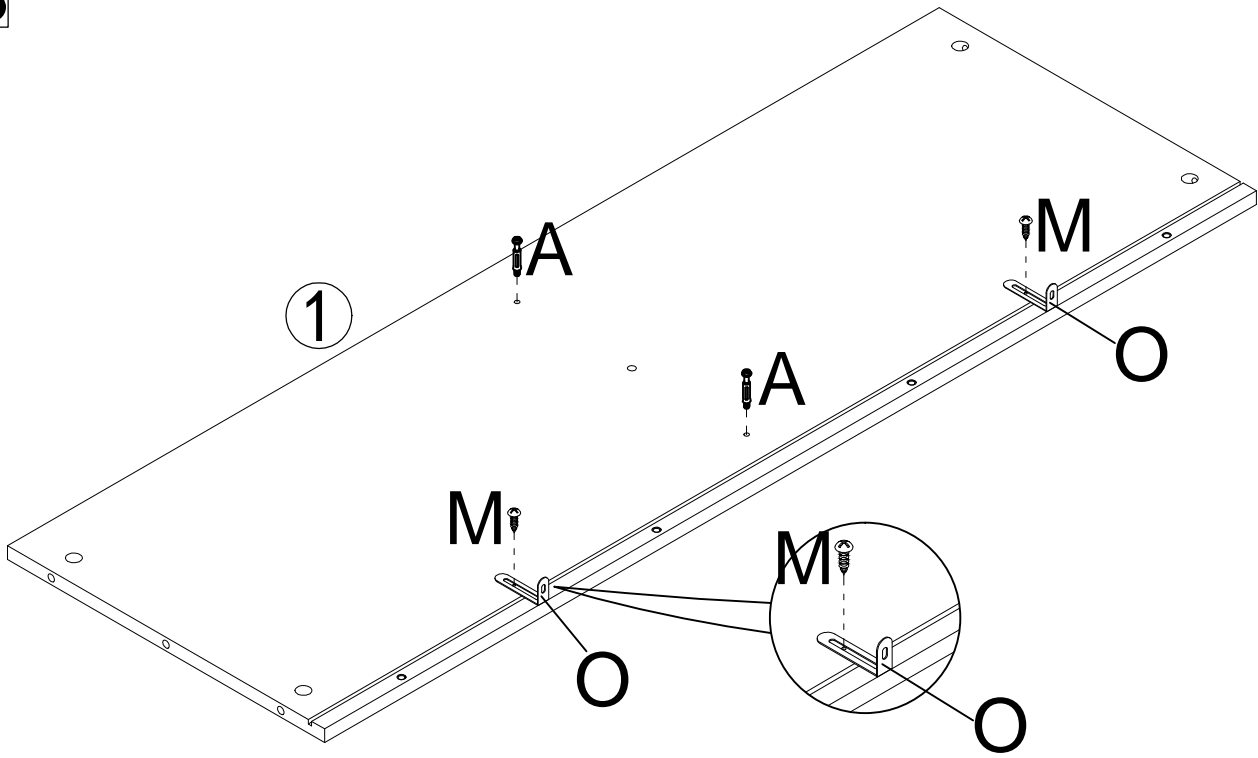
A	X10	J	X12
			
M6x35mm		M3x14mm	

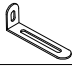


2



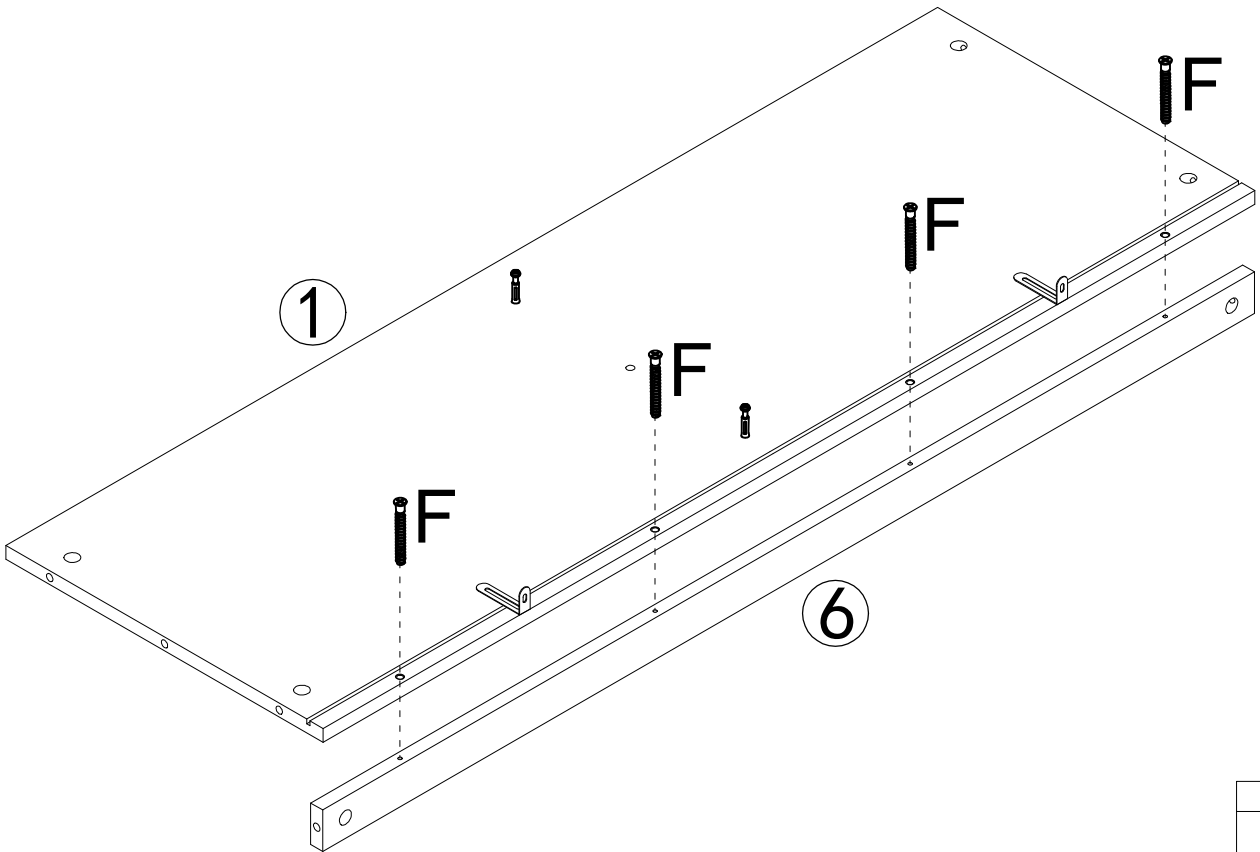
A	X4	J	X12
			
M6x35mm		M3x14mm	


3



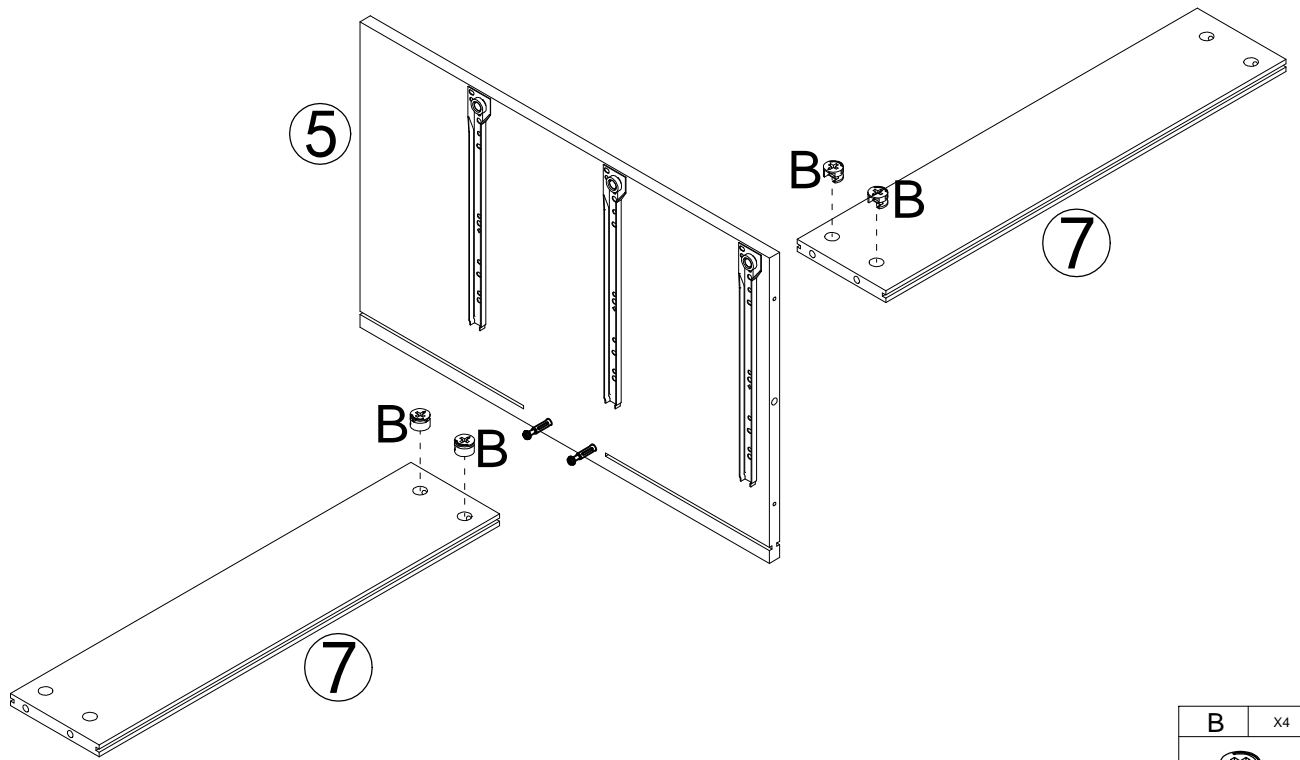
O	X2	M	X2	A	X2
					
		M4x14mm		M6x35mm	


4



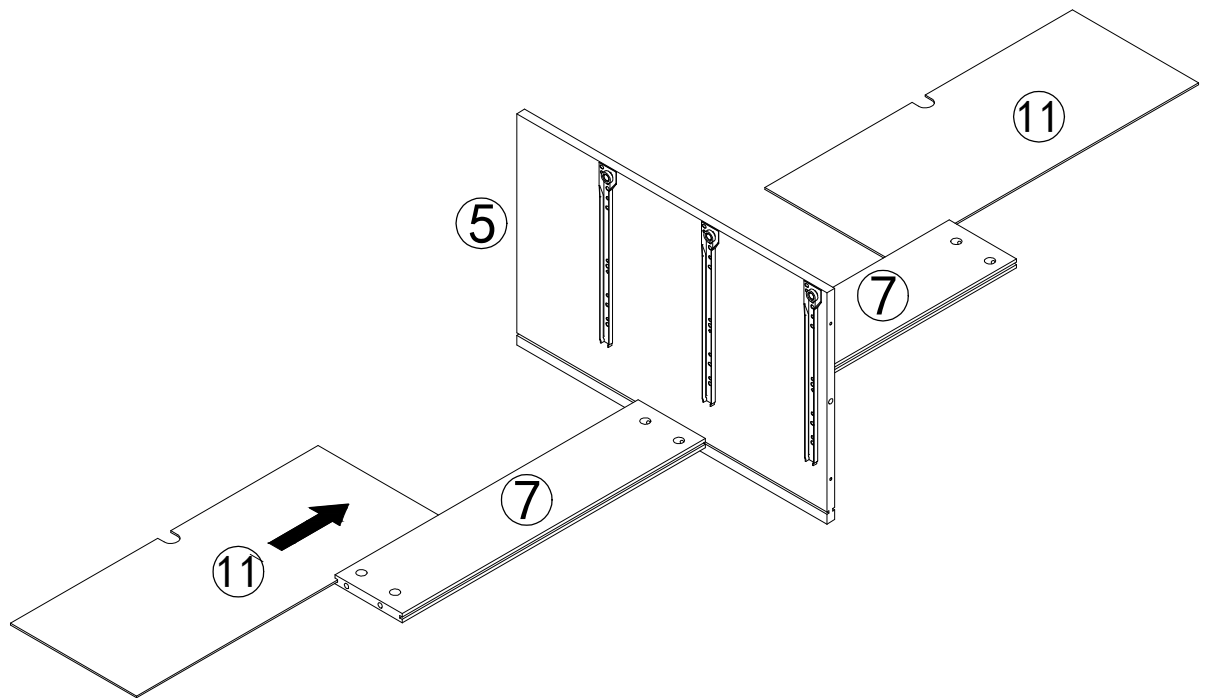
F	X4
	
M5x40mm	

5

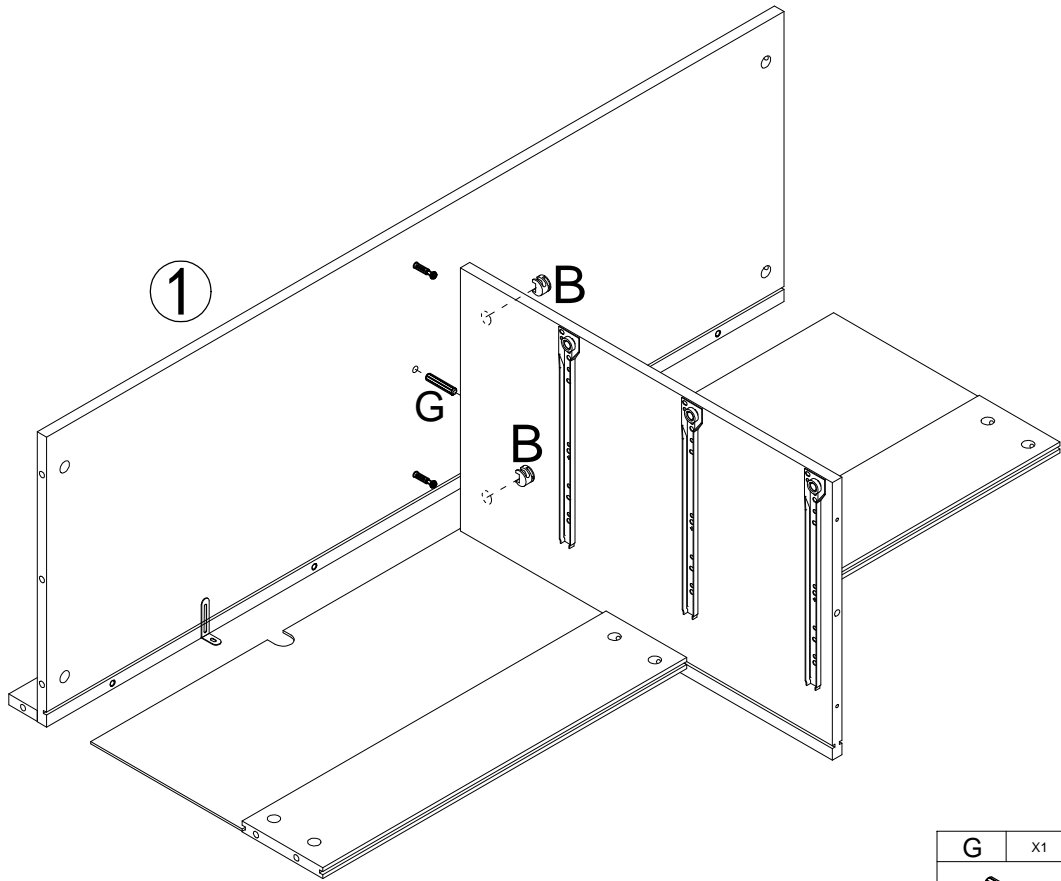



B	X4
	
Ø15x9mm	


6



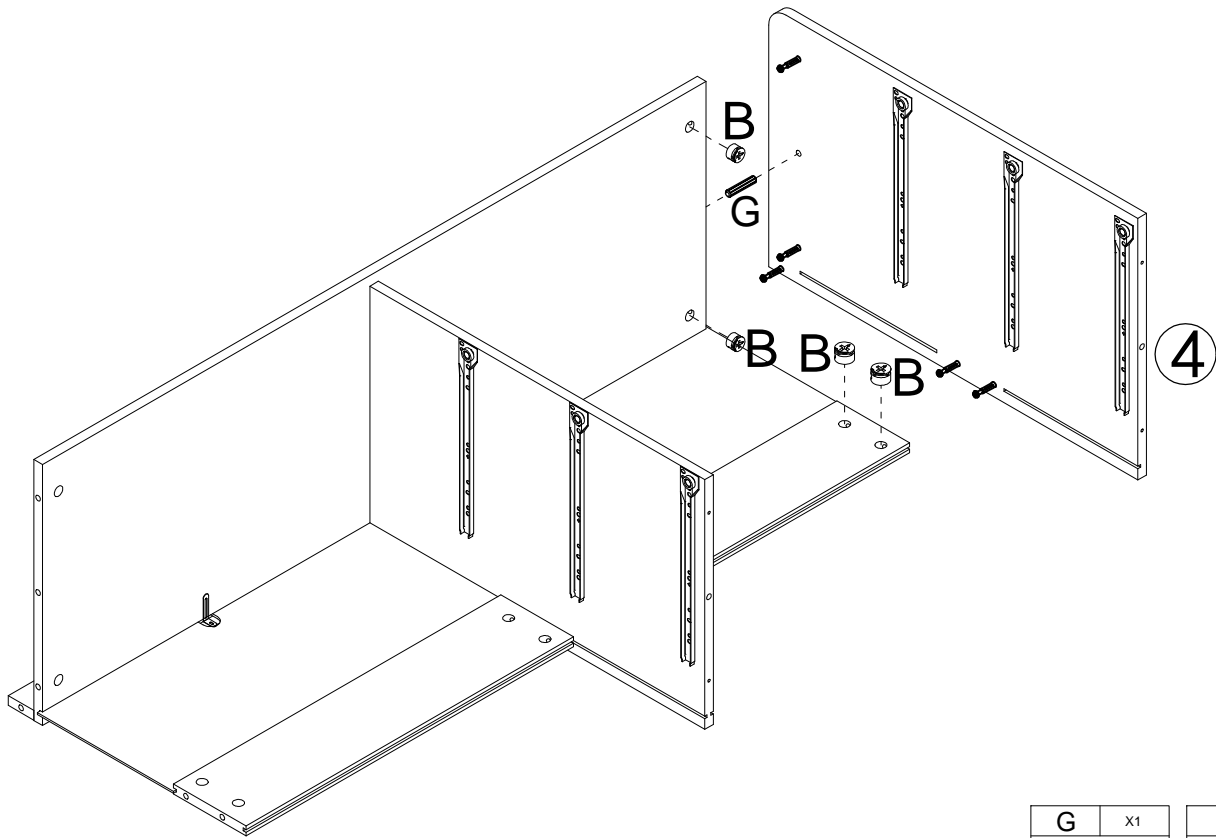
7





G	X1
	
Ø8x30mm	

B	X2
	
Ø15x9mm	

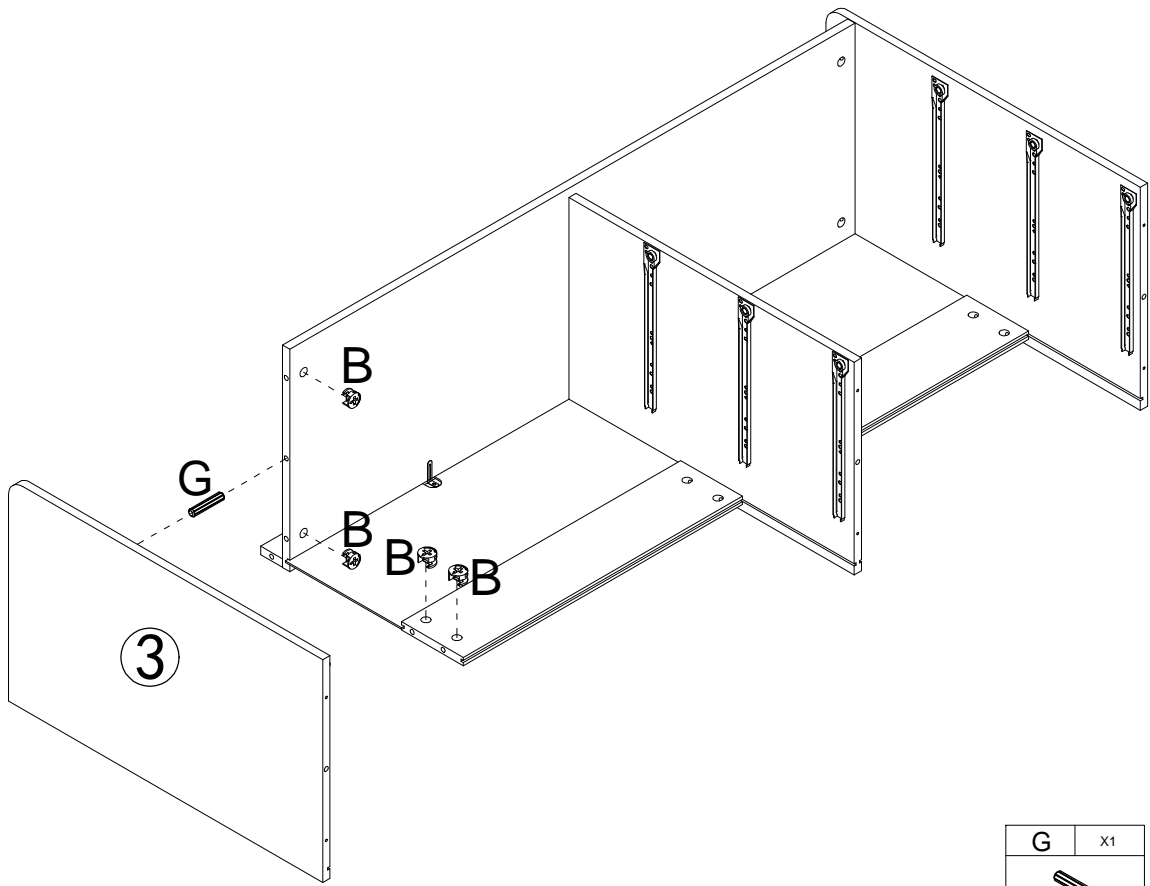
8





G	X1
	
Ø8x30mm	

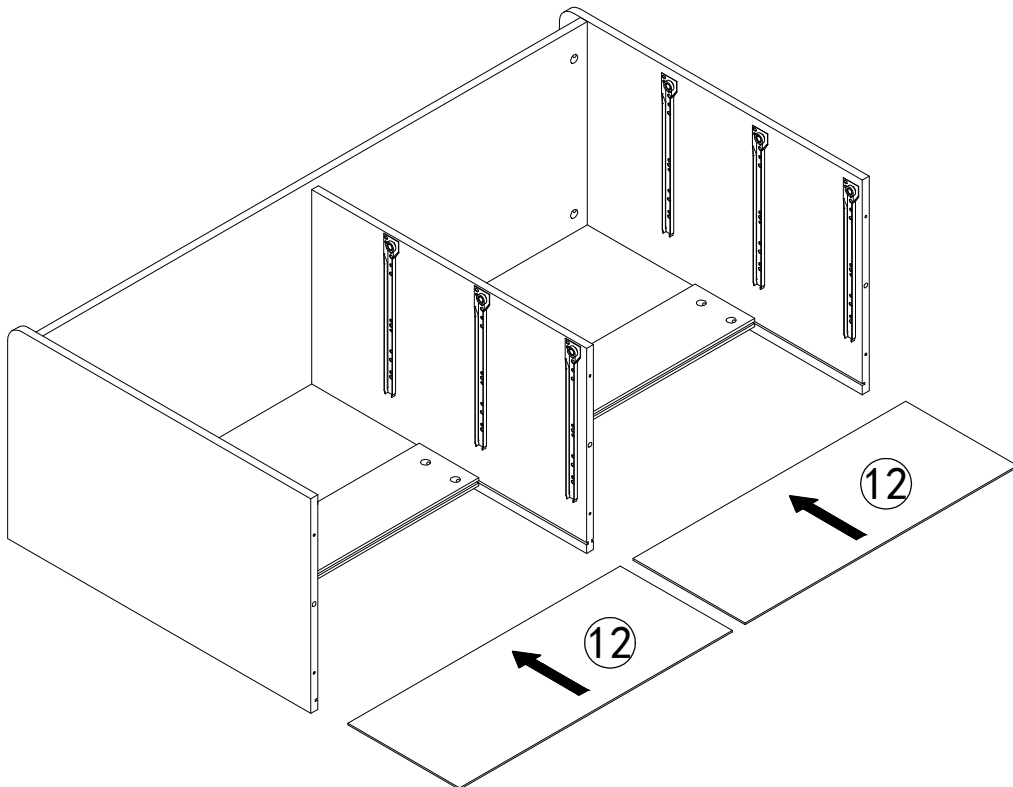
B	X4
	
Ø15x9mm	

9

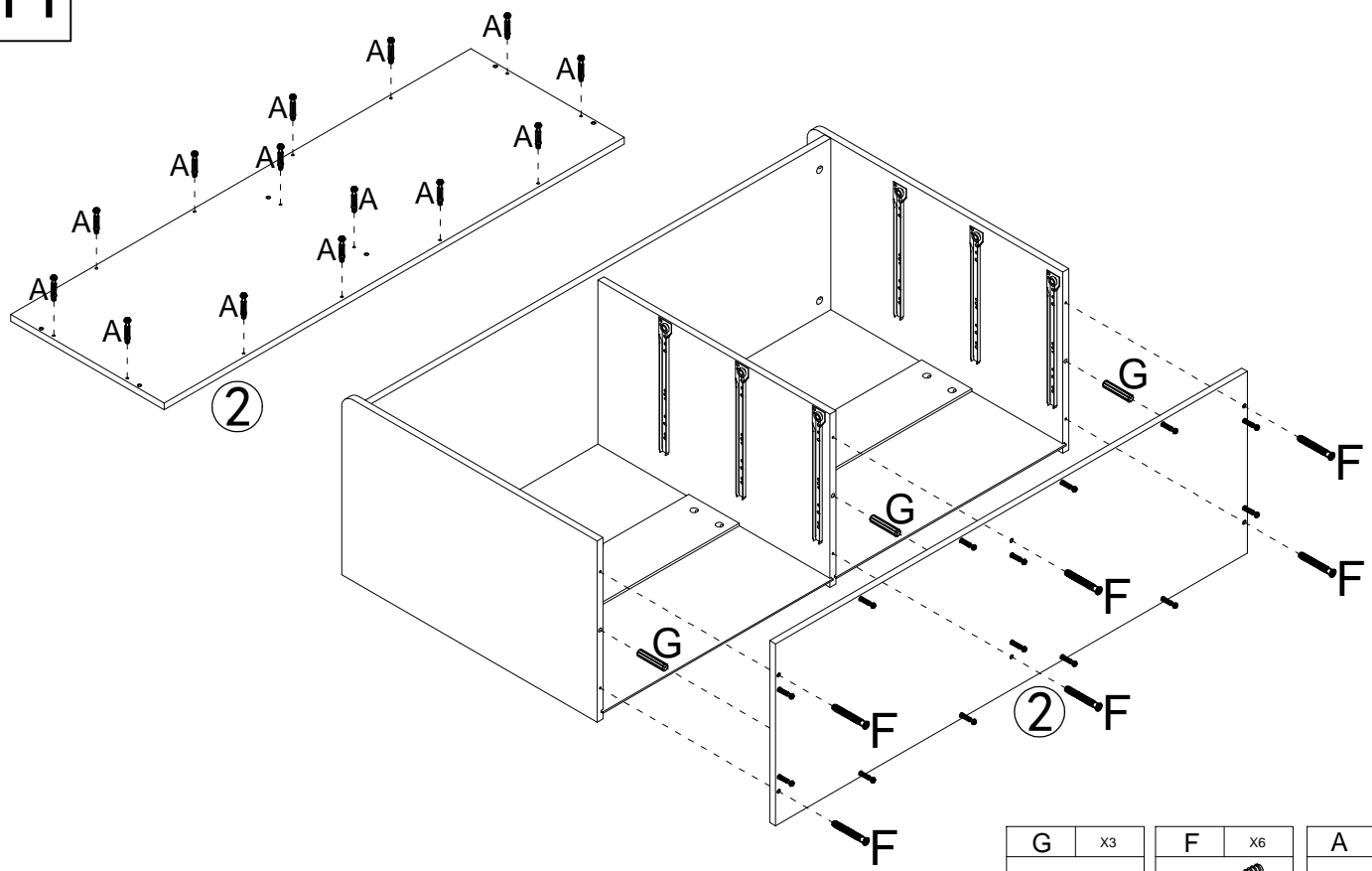





G	X1	B	X4
			
Ø6x30mm		Ø15x9mm	

10

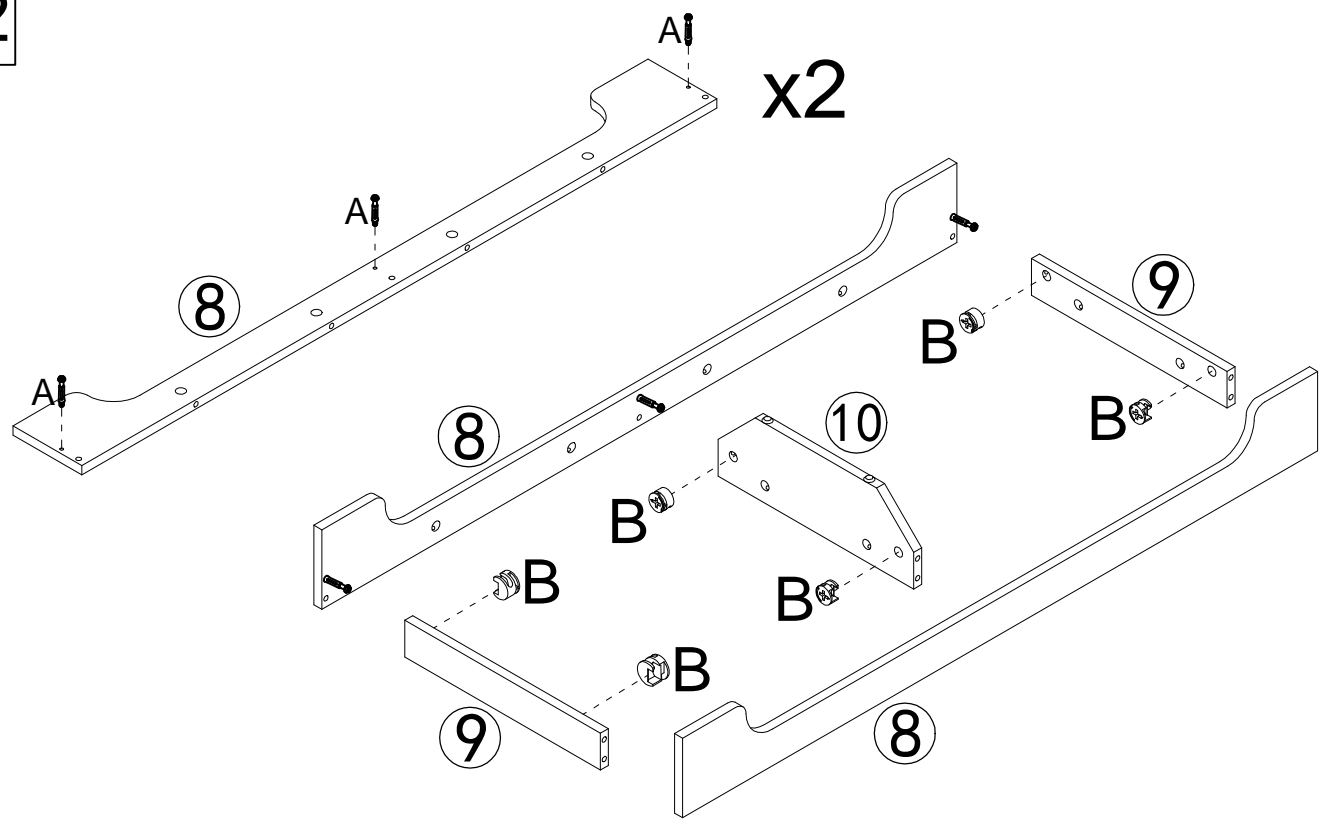




11



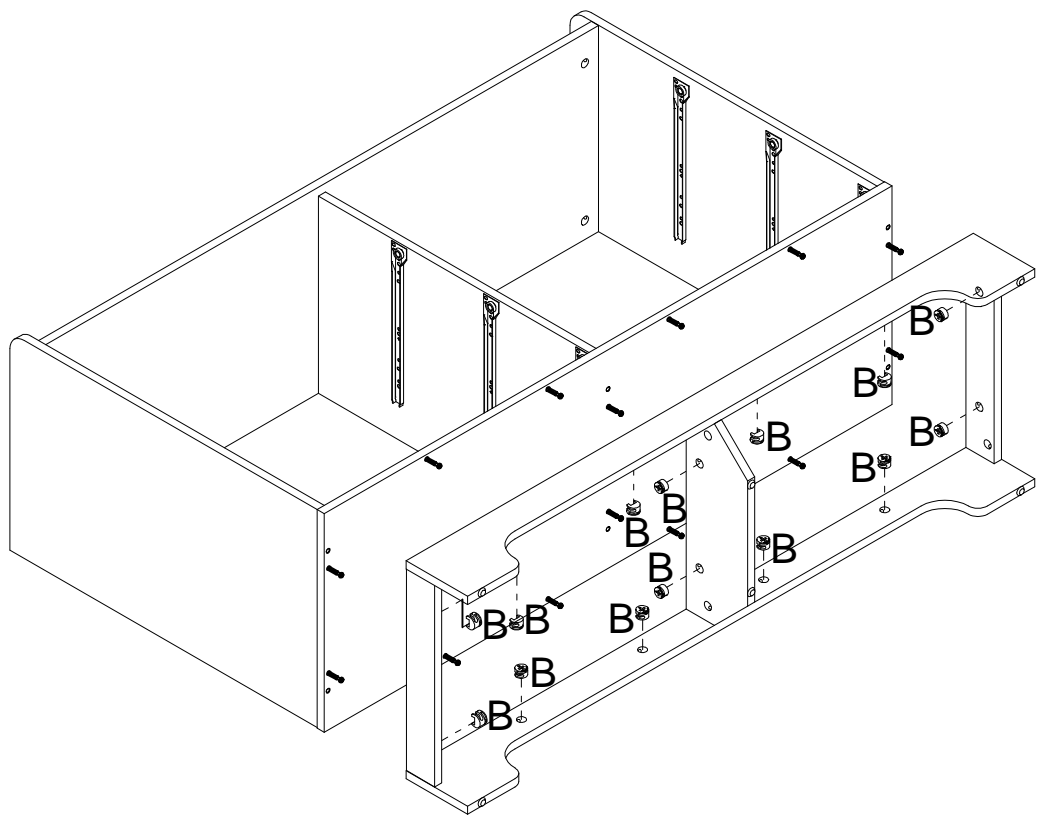
G	X3	F	X6	A	X14
					
Ø8x30mm		M5x40mm		M6x35mm	


12



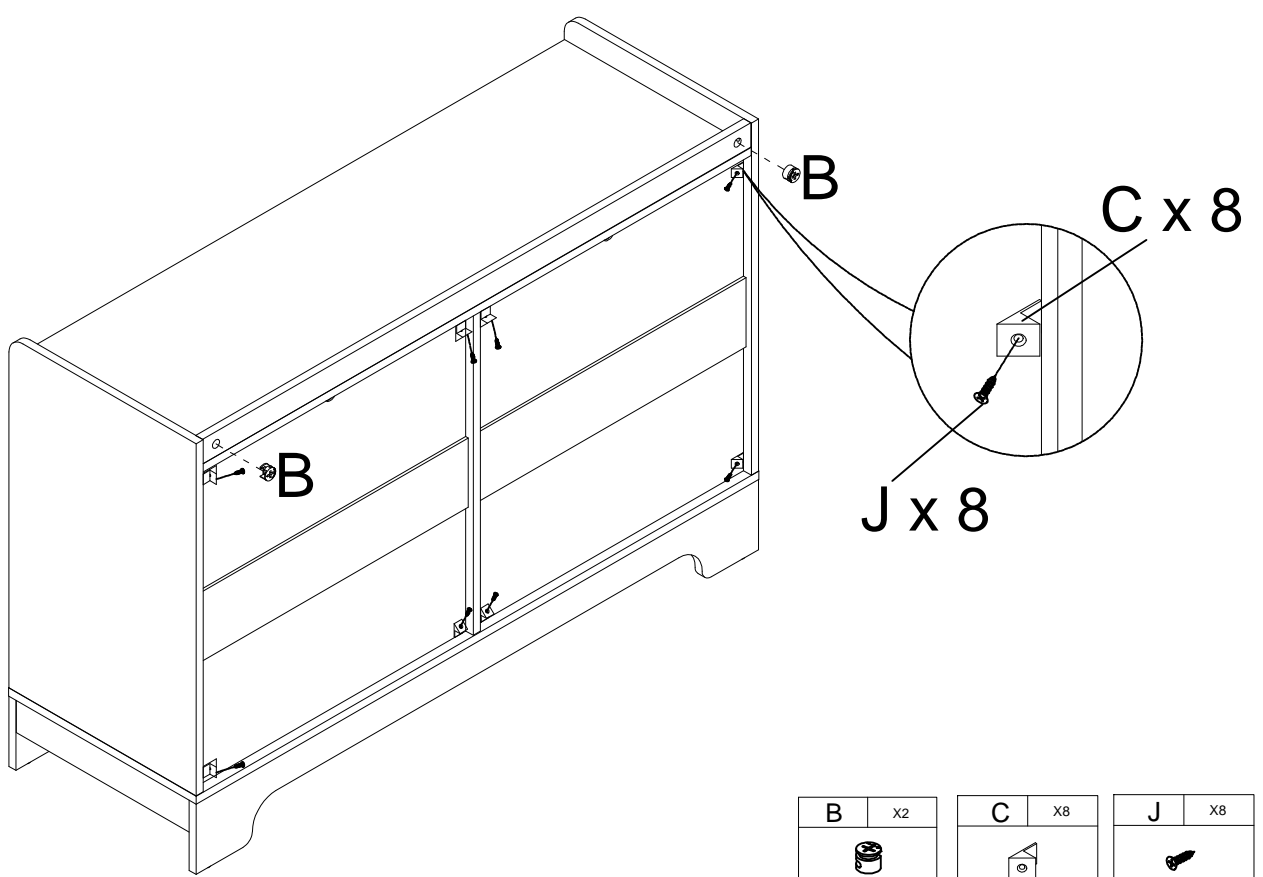
B	X6	A	X6
			
Ø15x9mm		M6x35mm	


13





B	X14
	
Ø15x9mm	

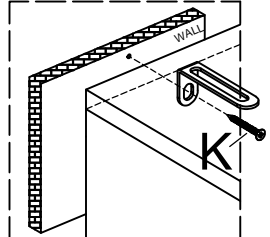
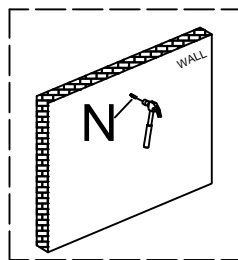
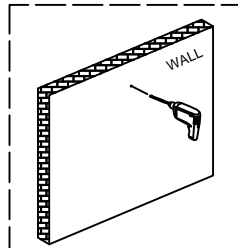
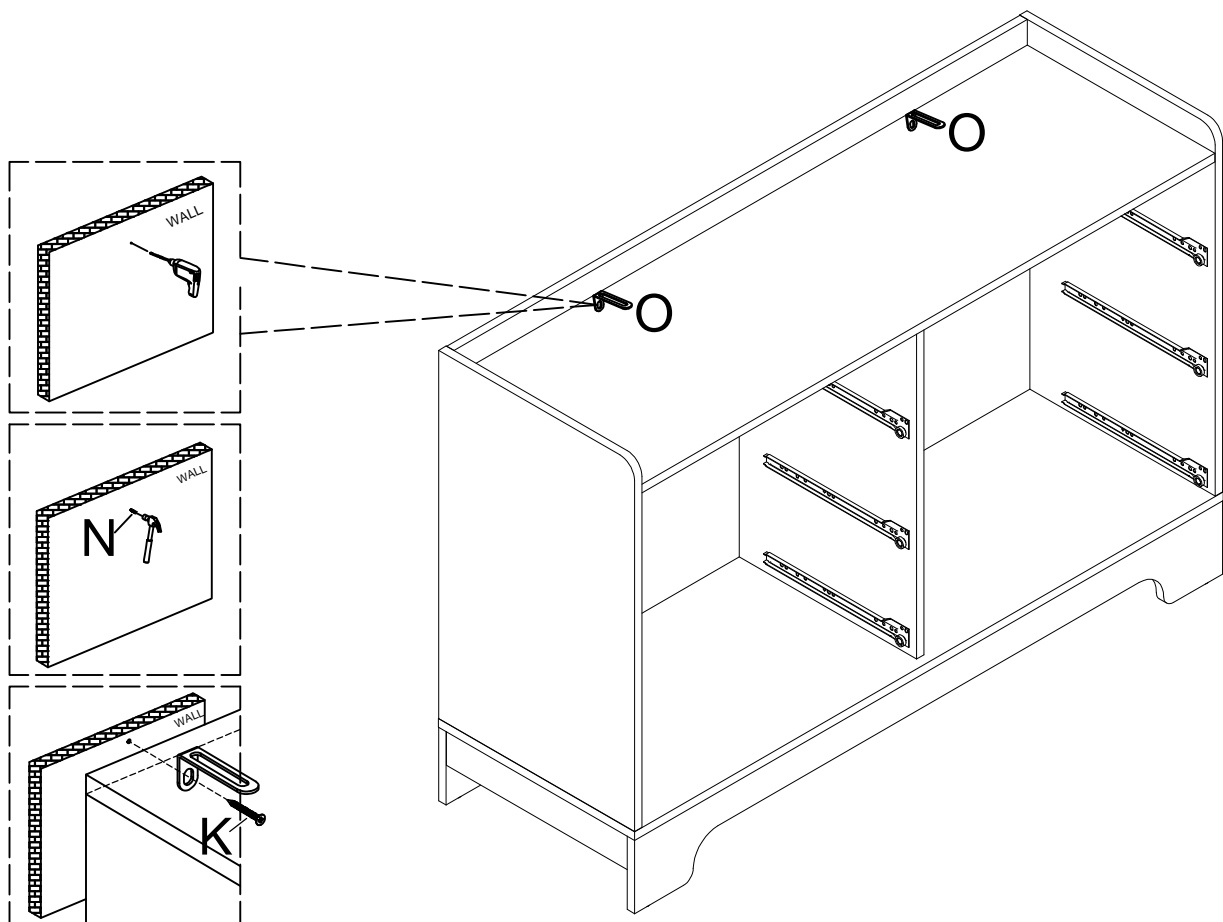
14





B	X2
	
Ø15x9mm	

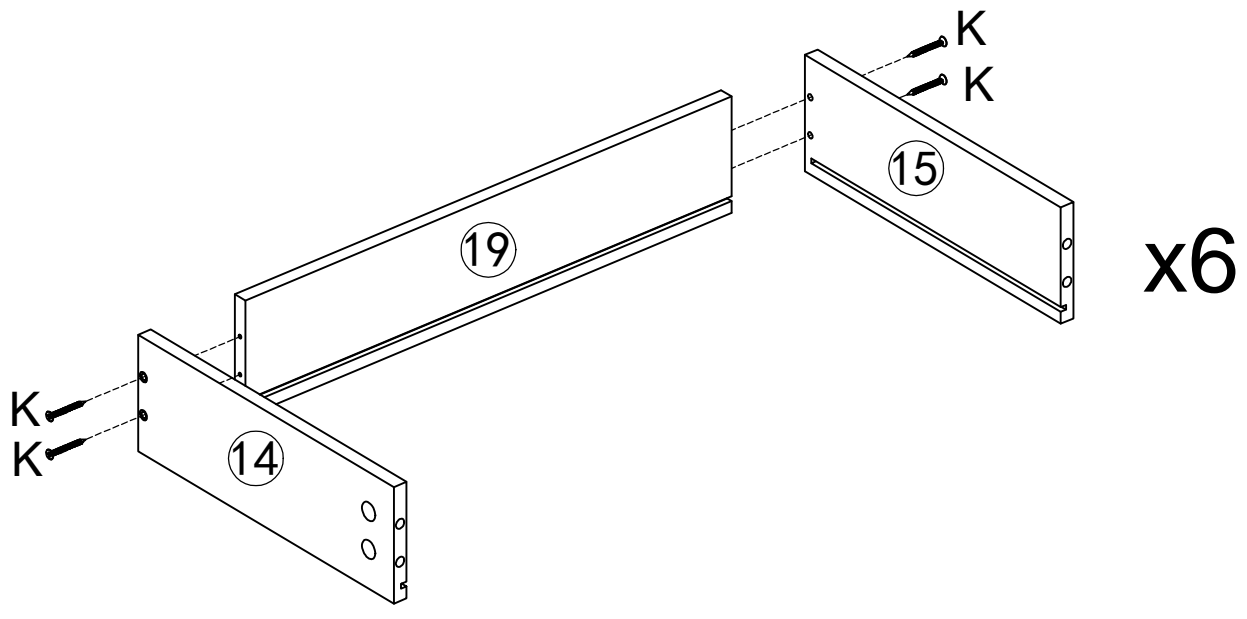
C	X8
	


J	X8
	
M3x14mm	



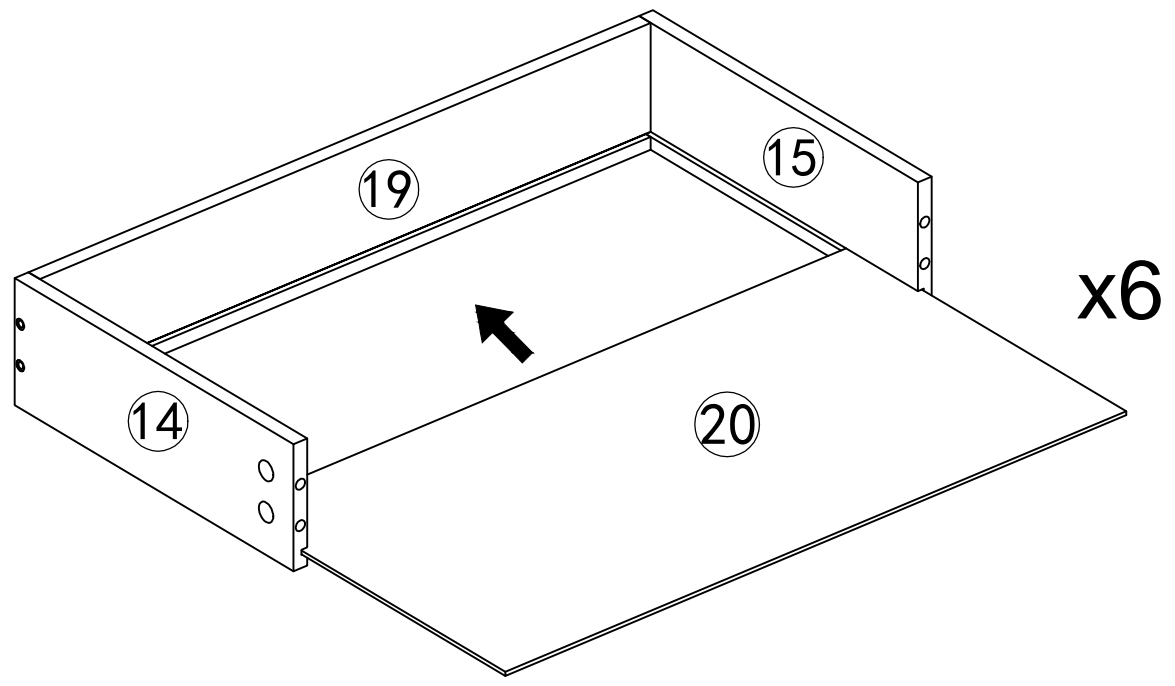
N	x2	K	x2
			
Ø6x30mm		M4x35mm	

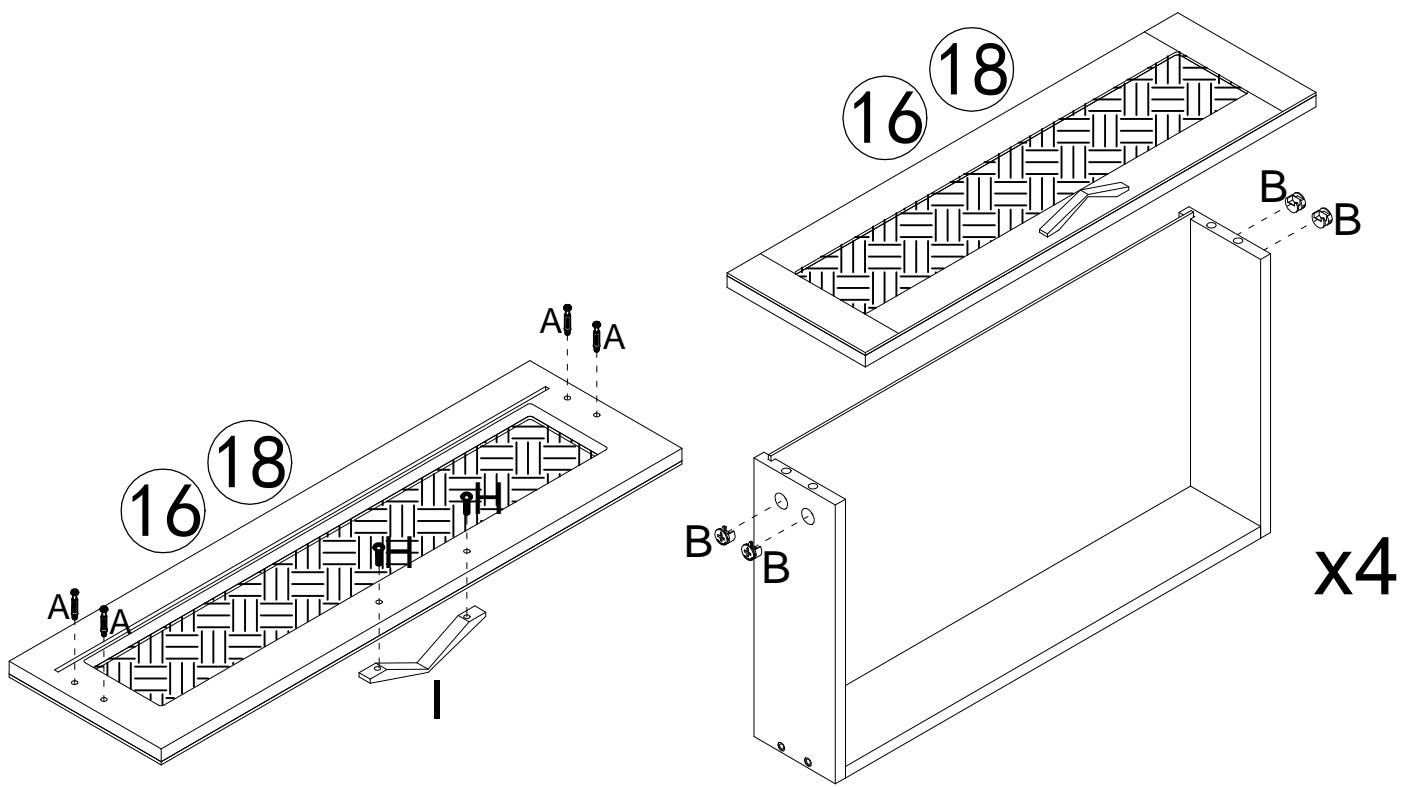
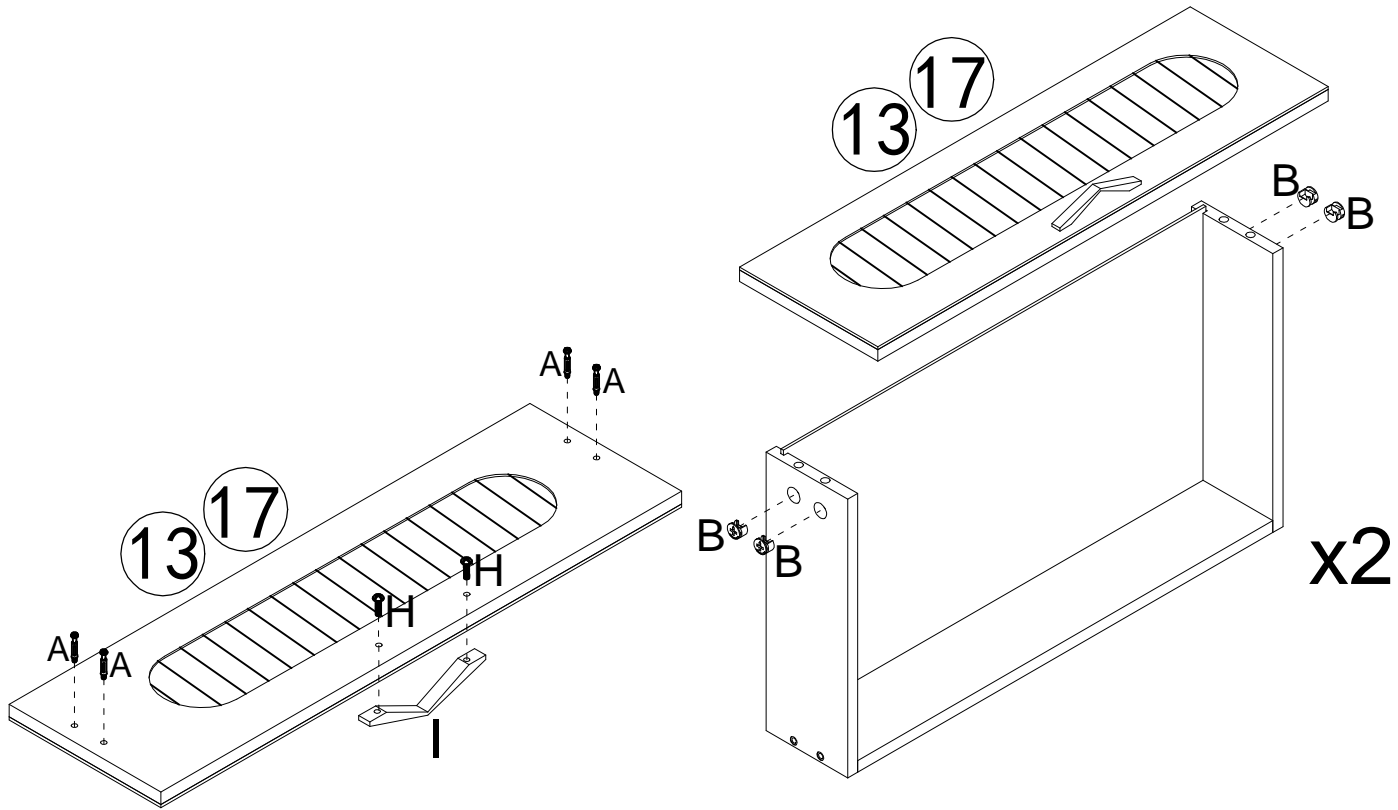
16


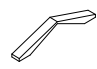




K	X24
	
M4x35mm	

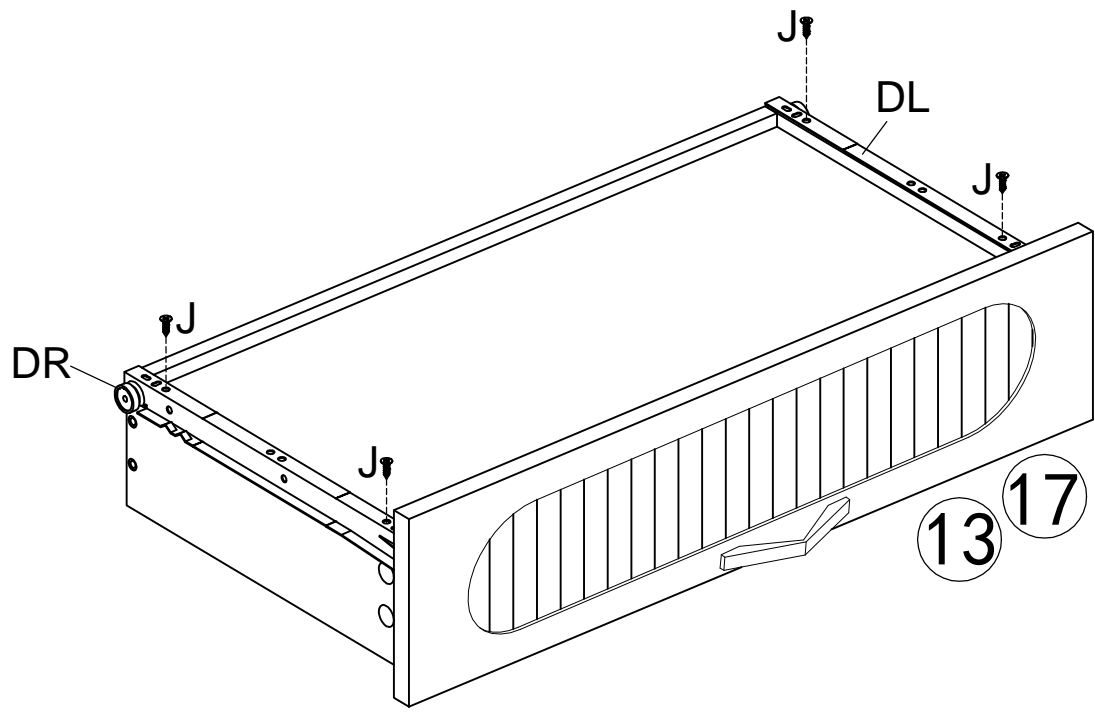
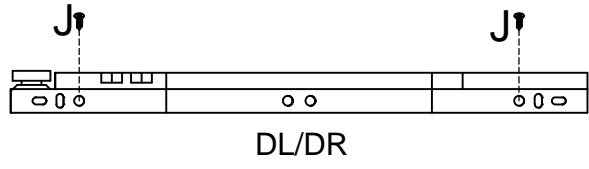
17



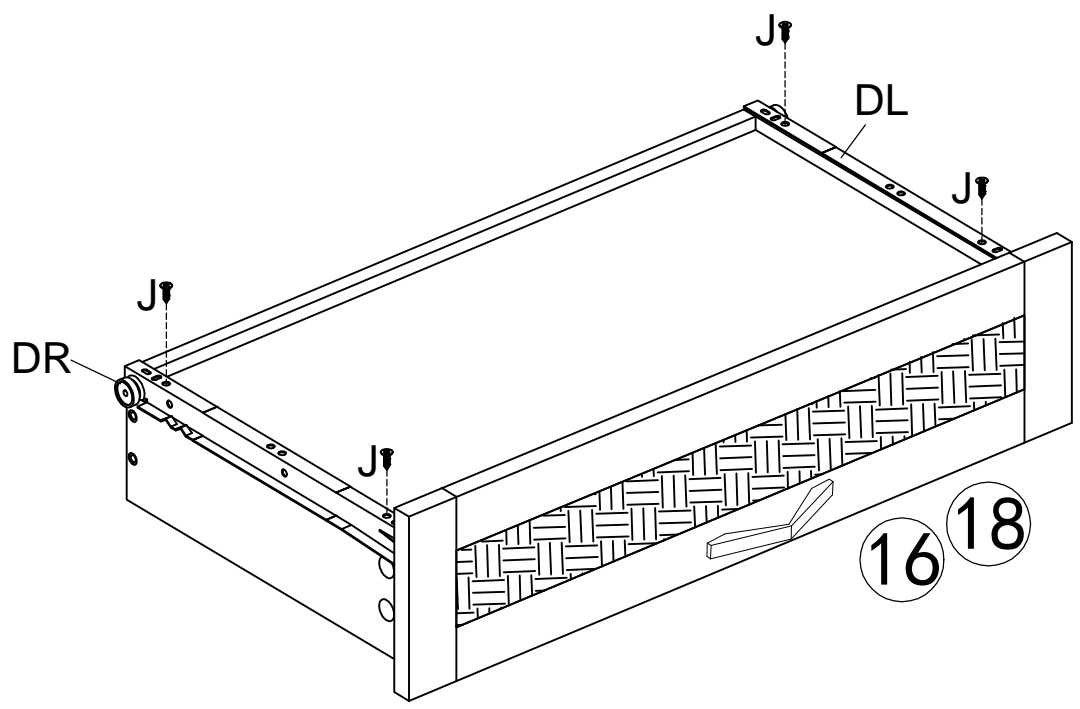


H	X12	I	X6	A	X24	B	X24
							
M4x18mm				M6x35mm		Ø15x9mm	

19



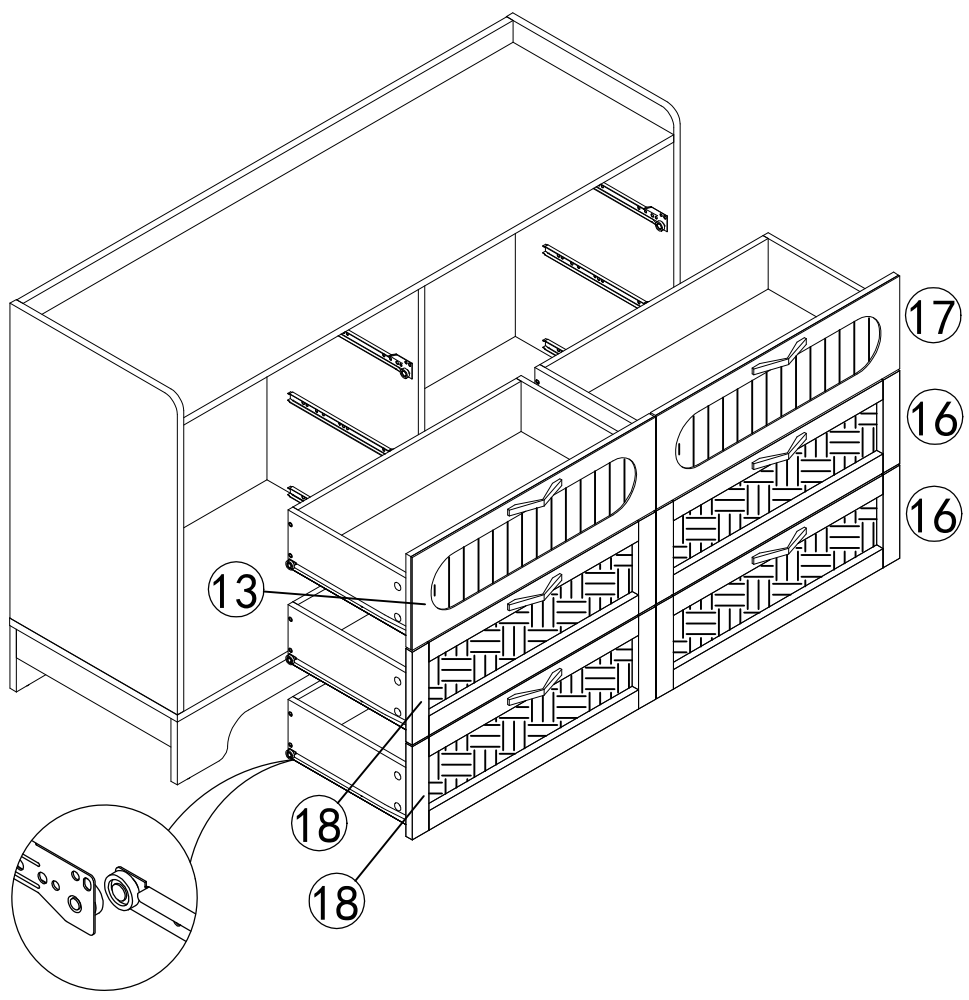
x2



x4

J	x24
M3x14mm	

20



21

