












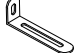








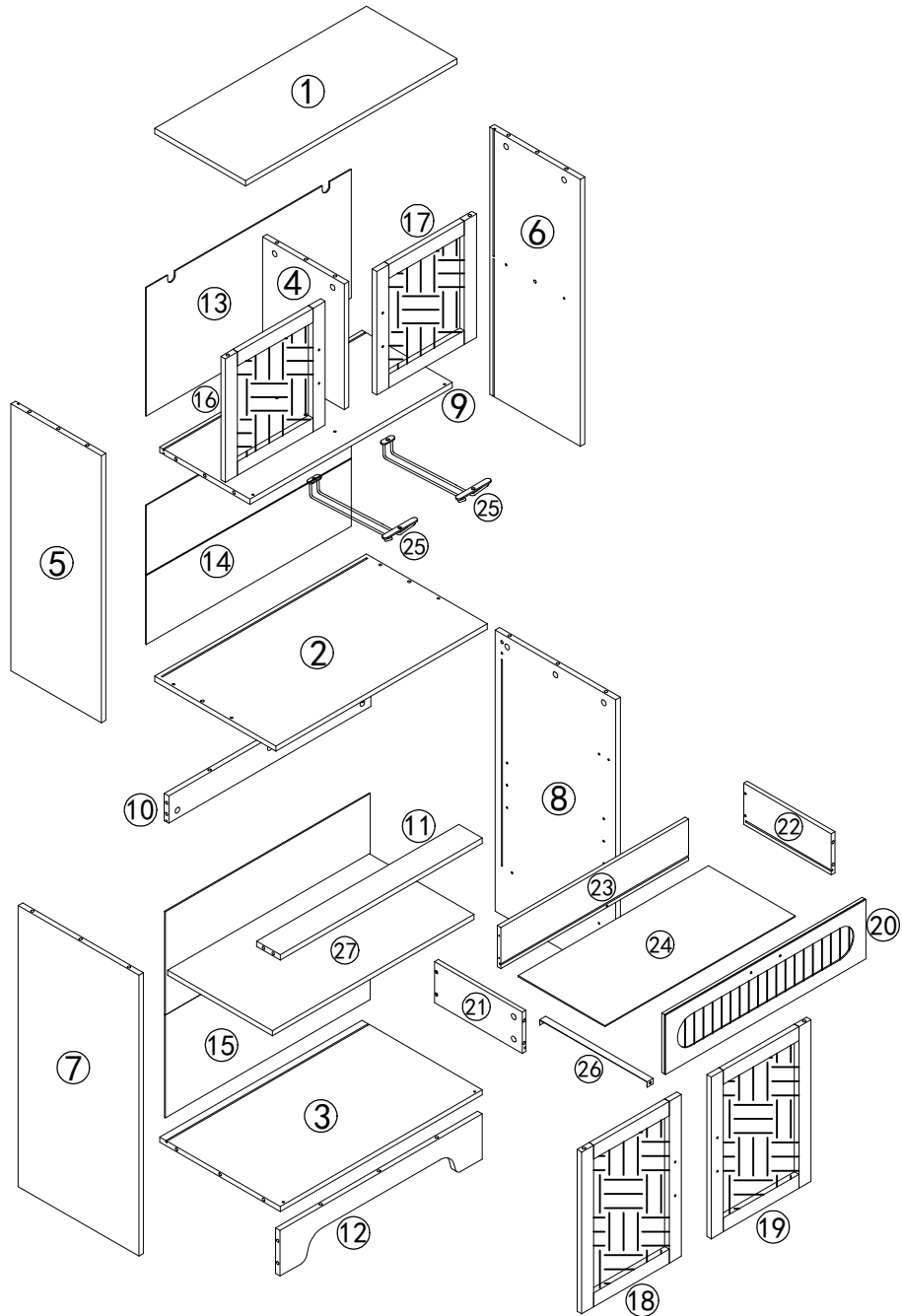
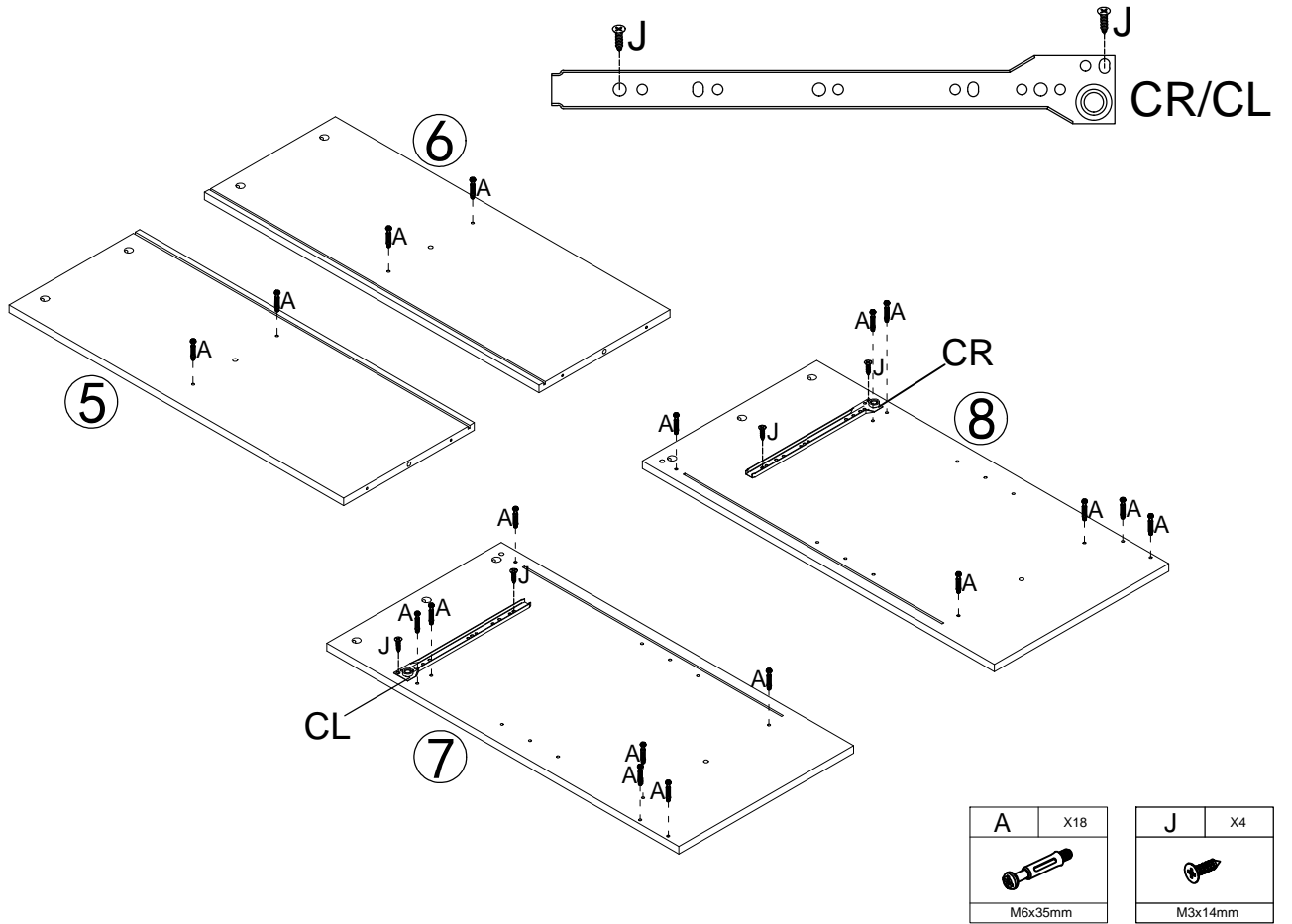


Assembly Instruction

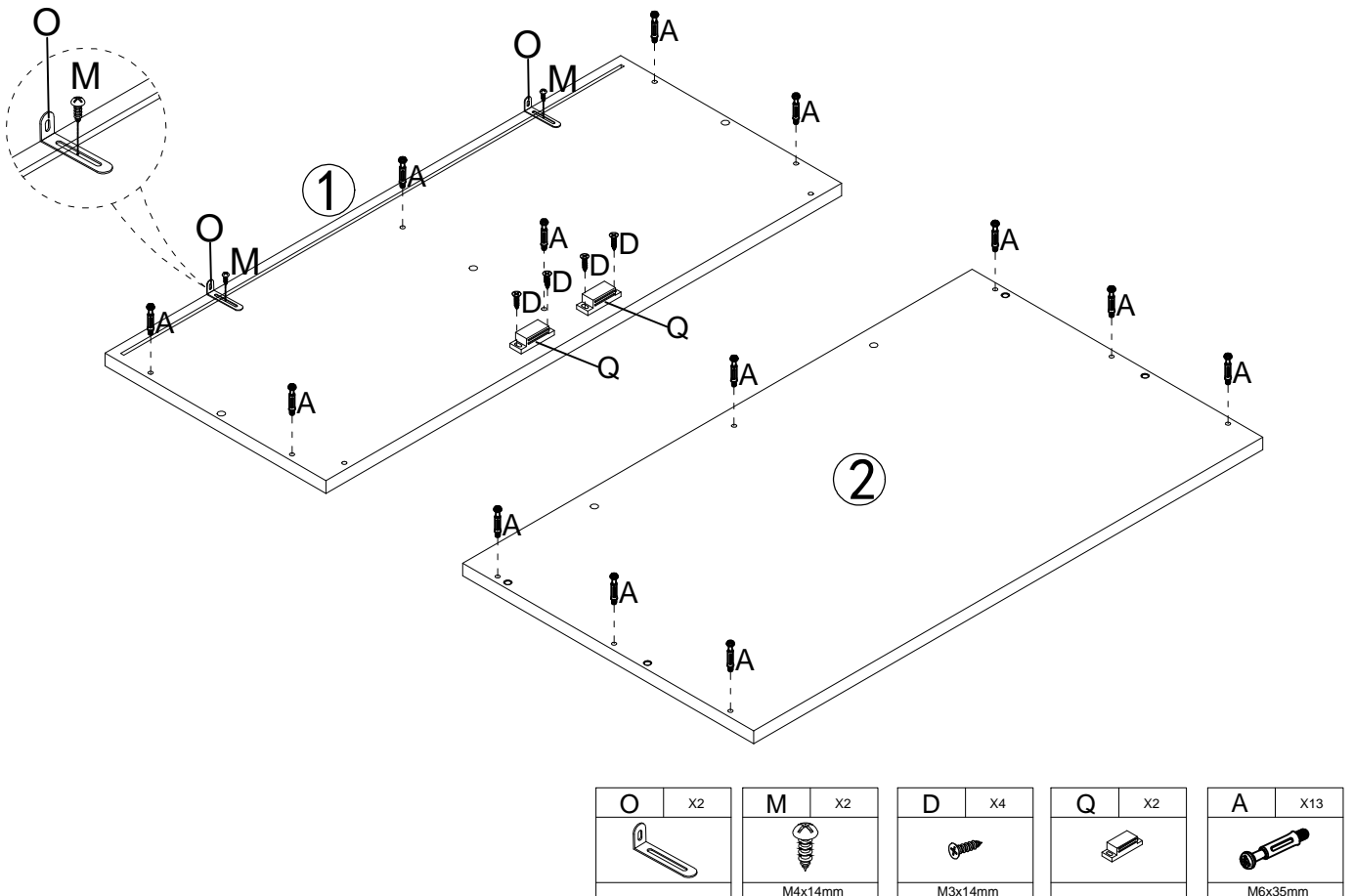
A	X36	B	X36	C	X8	D	X20	E	X1	F	X6	G	X16	H	X10
															
M6x35mm		Ø15x9mm				M3x14mm		4mm		M5x40mm		Ø8x30mm		M4x18mm	
I	X5	J	X8	K	X6	M	X6	N	X2	O	X2	P	X4	Q	X3
															
		M3x14mm		M4x35mm		M4x14mm		Ø6x30mm							
S	X8	T	X2	U	X2	V	X2	L	X1	R	X1				
															
						M3.5x12mm									



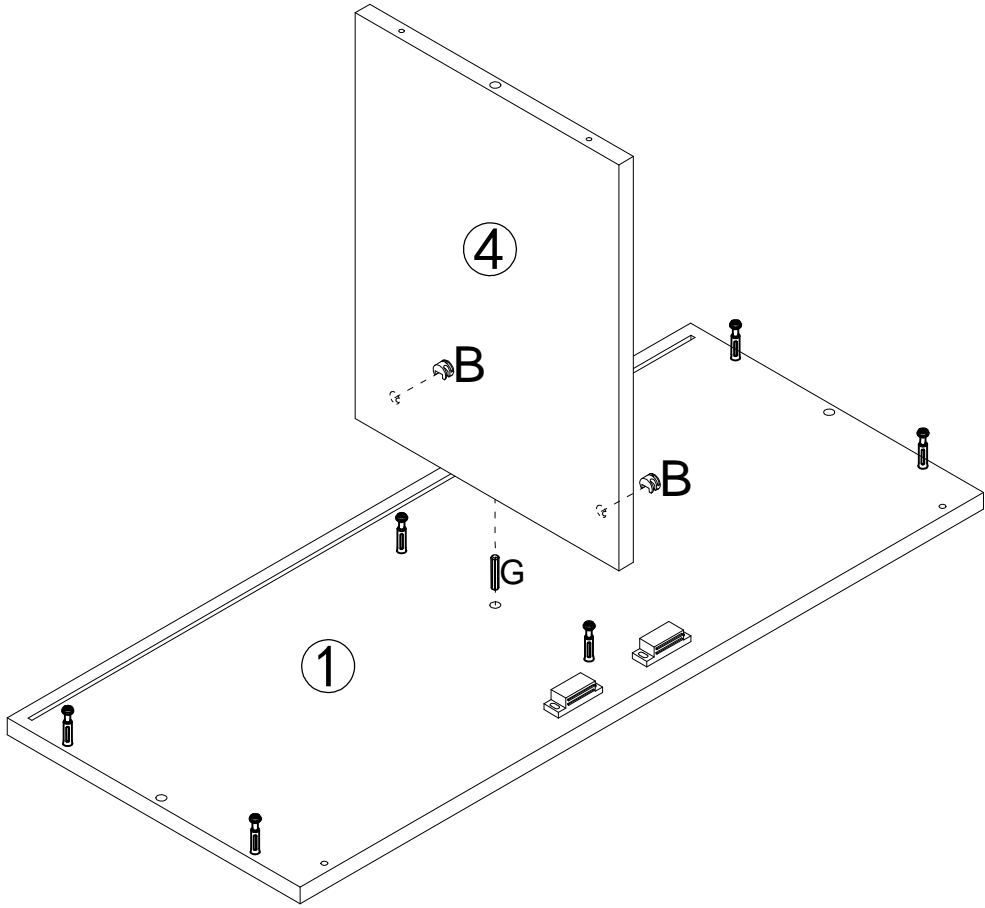
1





2



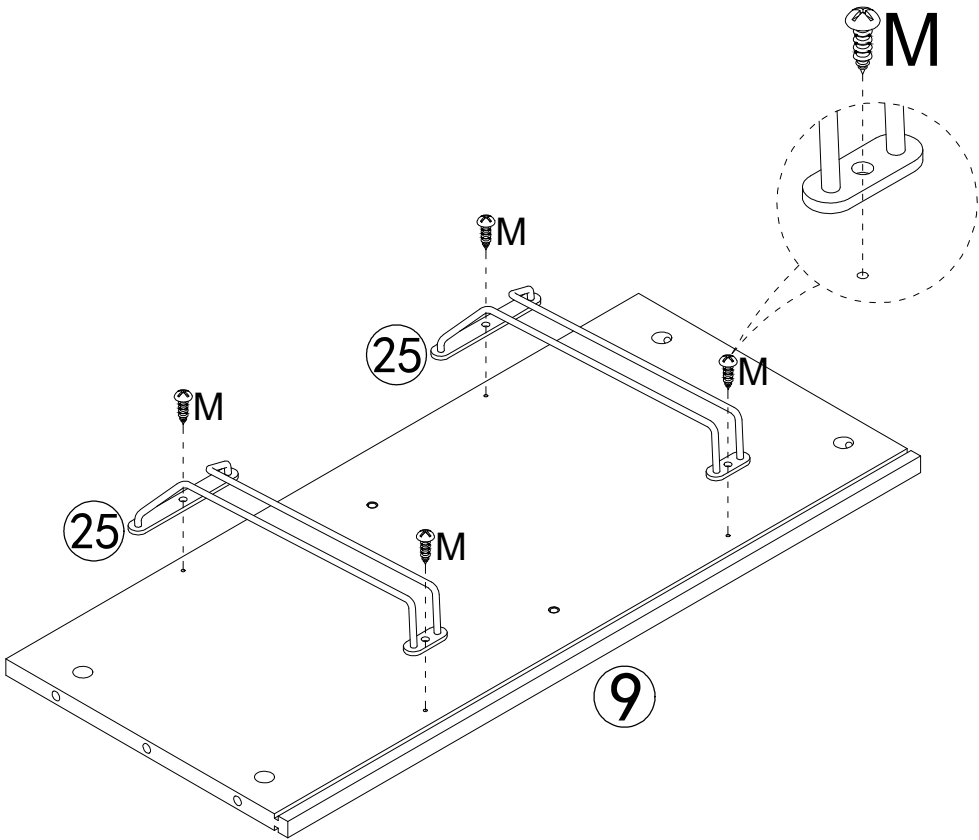
3




B	x2
	
Ø15x9mm	

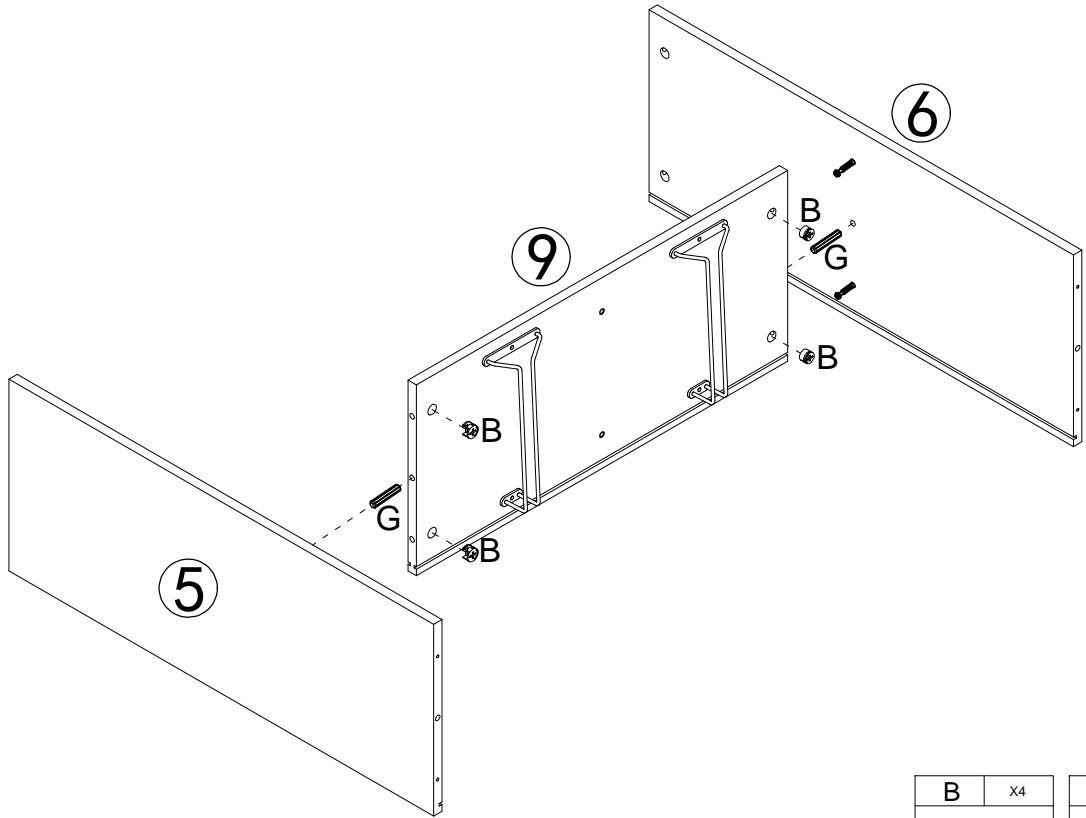
G	x1
	
Ø8x30mm	



4



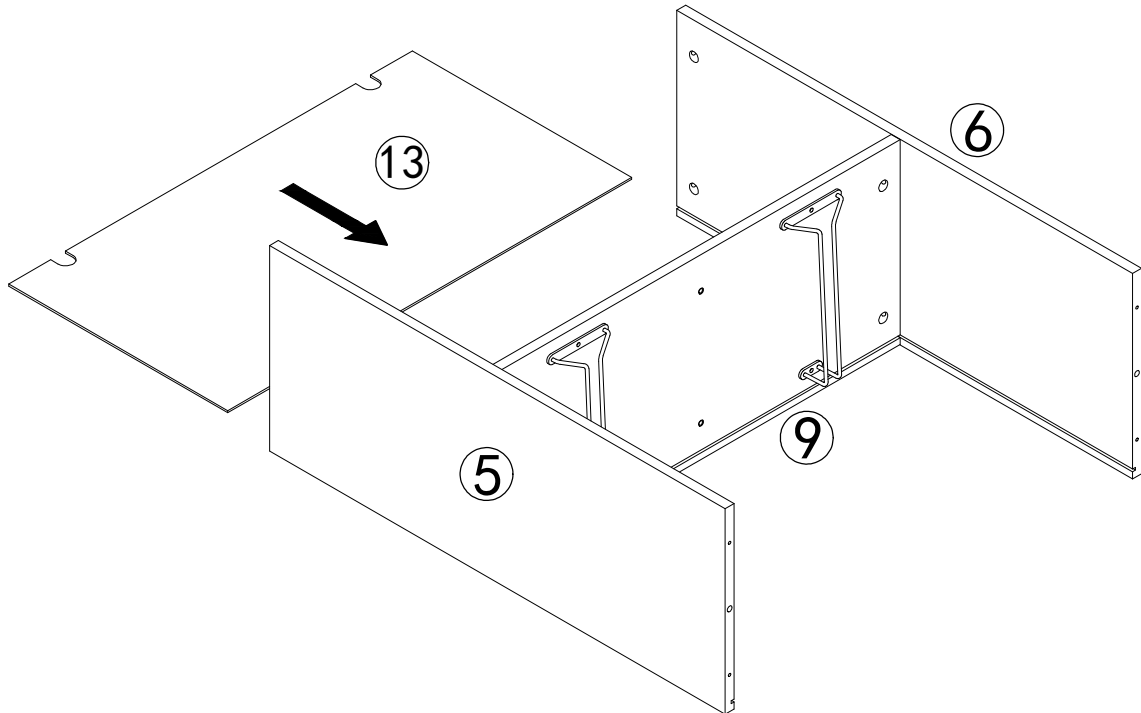
M	x4
	
M4x14mm	

5

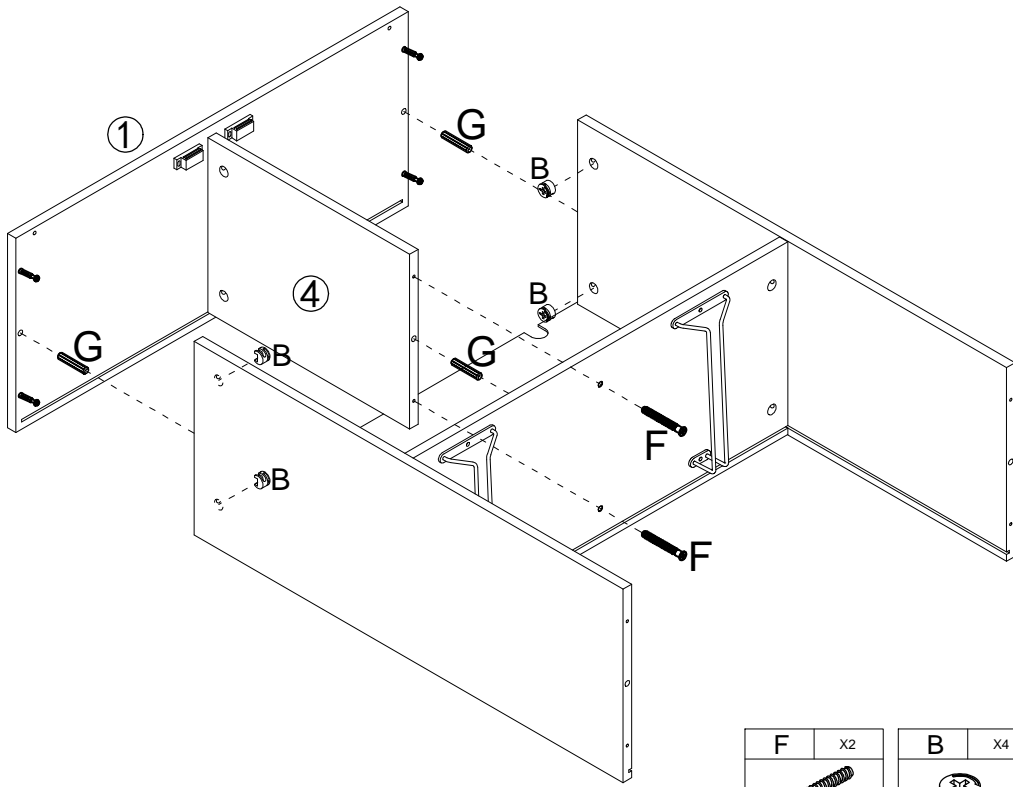





B	x4	G	x2
			
Ø15x9mm		Ø8x30mm	

6

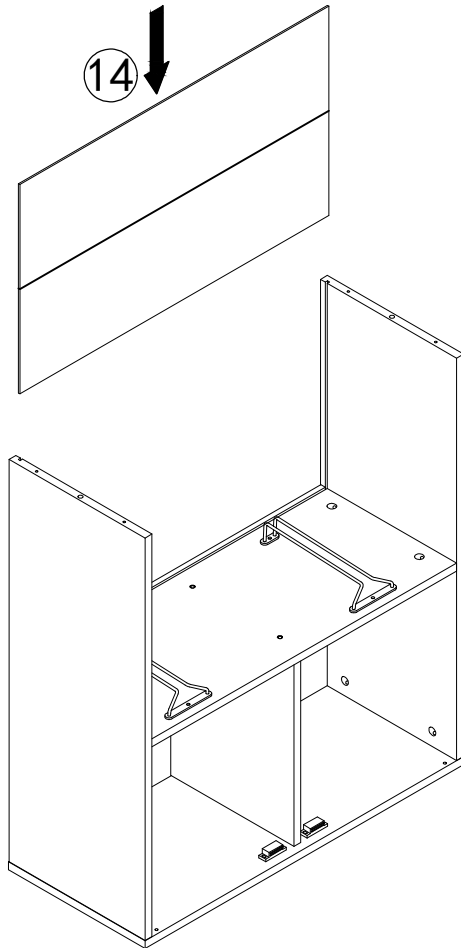


7

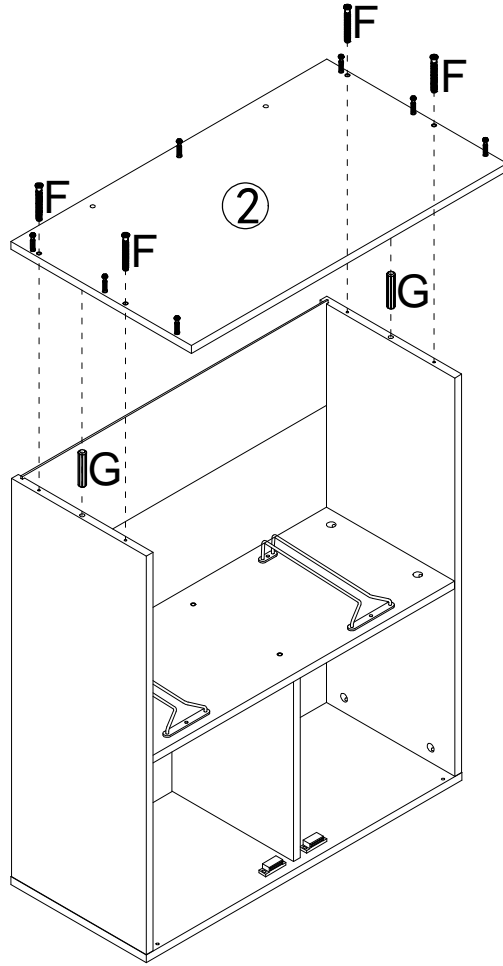



F	X2	B	X4	G	X3
					
M5x40mm		Ø15x9mm		Ø8x30mm	


8



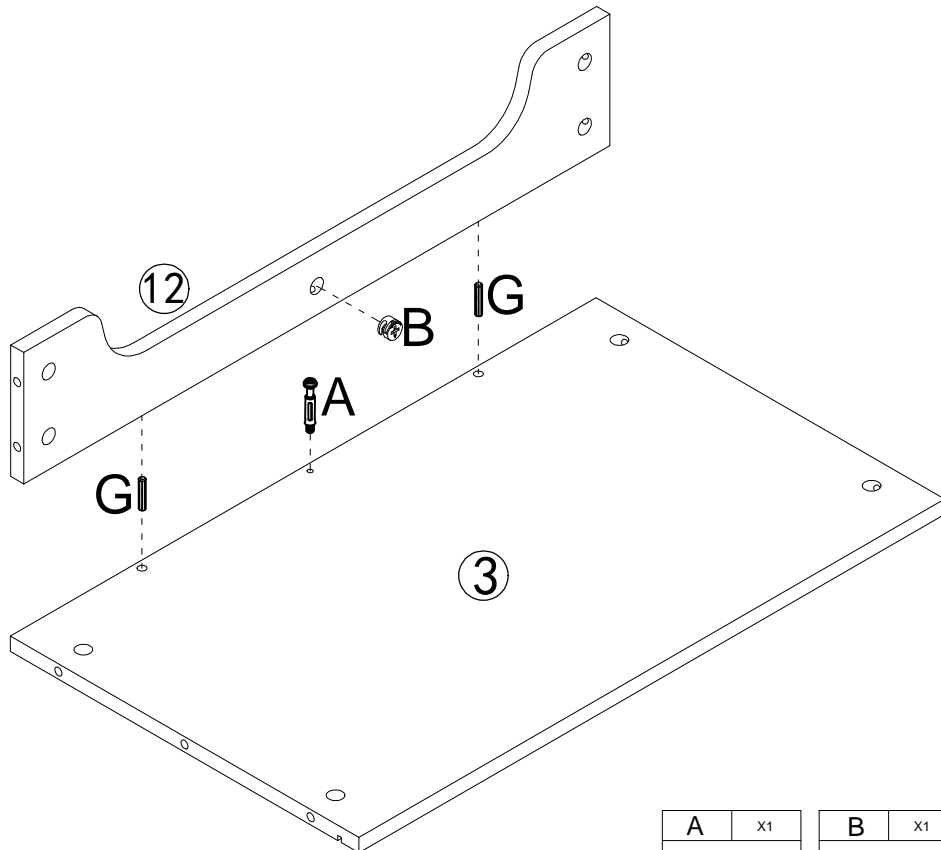
9





F	X4
	
M5x40mm	


G	X2
	
Ø8x30mm	

10

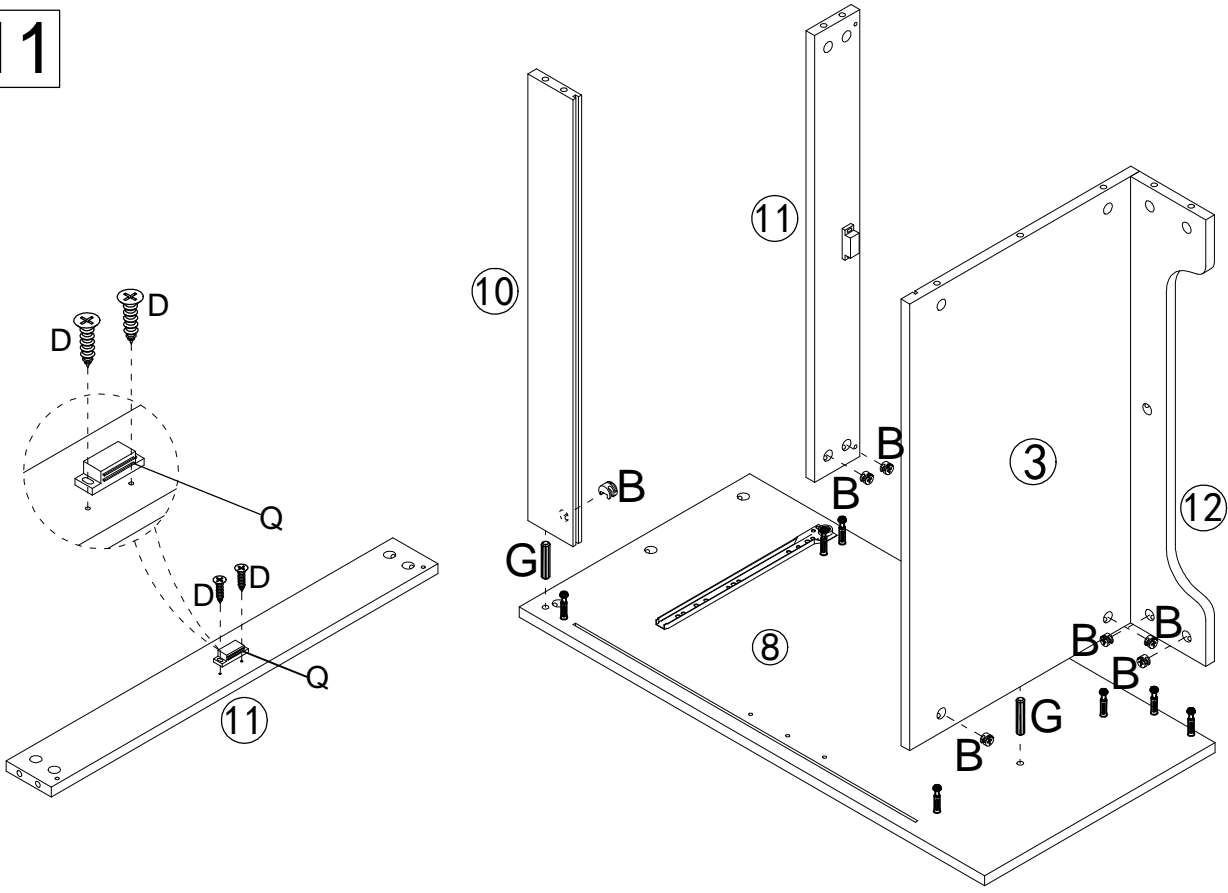






A	X1
	
M6x35mm	

B	X1
	
Ø15x9mm	

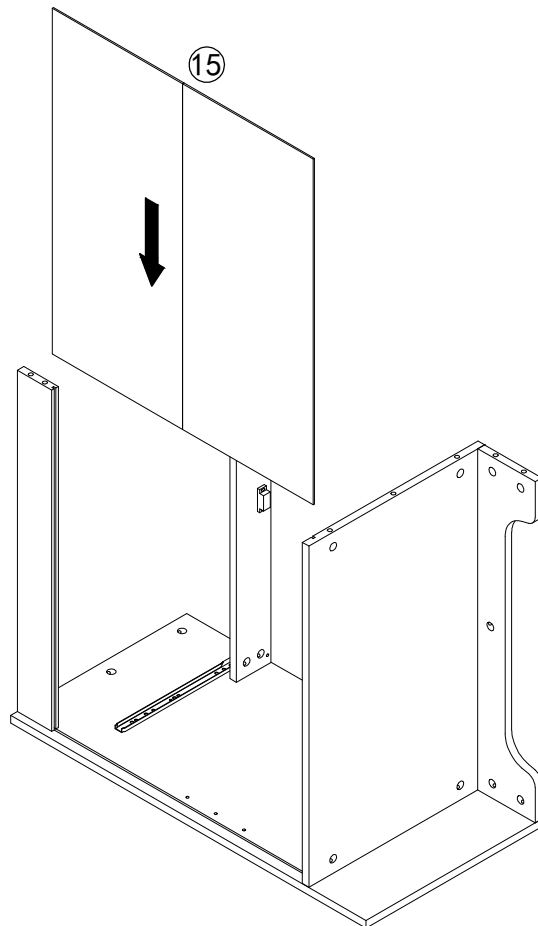
G	X2
	
Ø8x30mm	

11

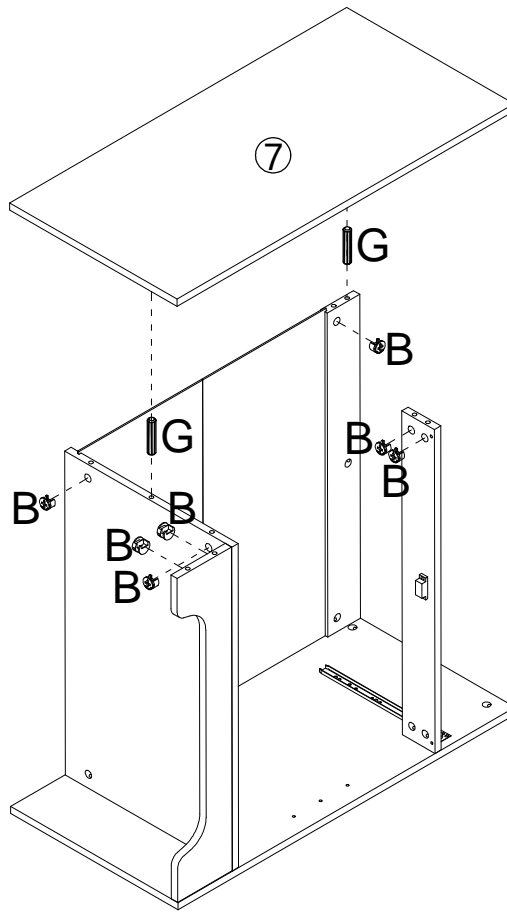




B	x7	G	x2	D	x2	Q	x1
							
Ø15x9mm		Ø8x30mm		M3x14mm			

12

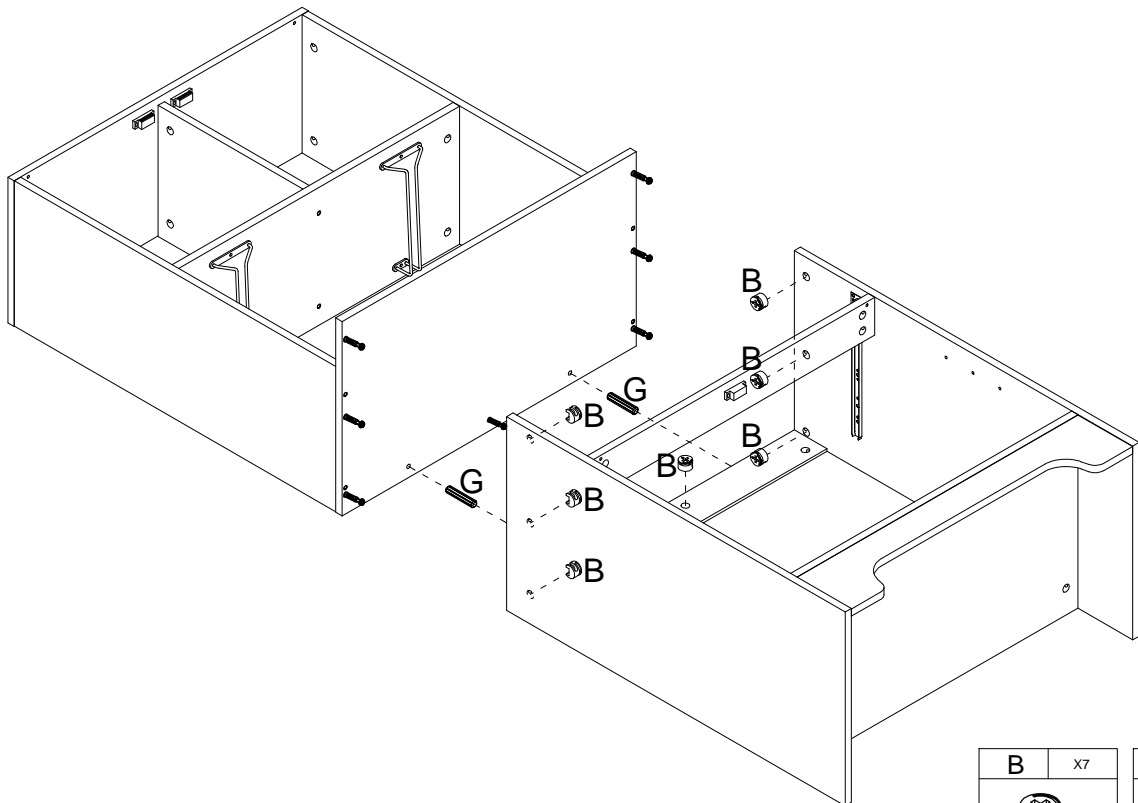




13



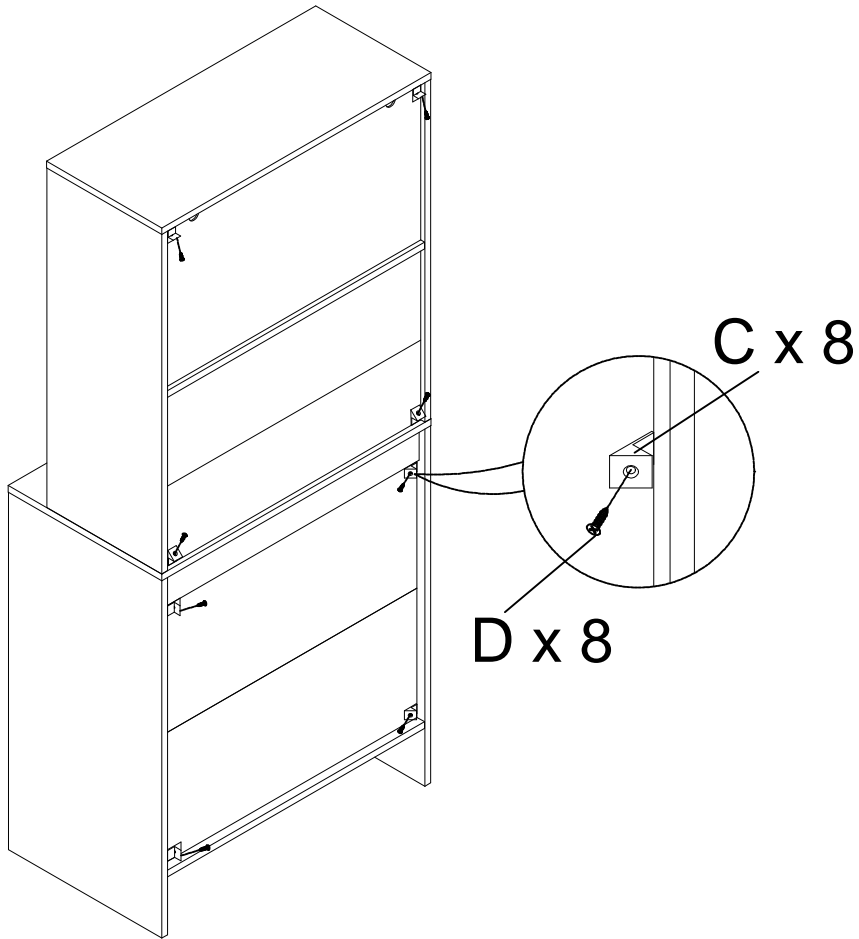
B	X7	G	X2
			
Ø15x9mm		Ø8x30mm	

14



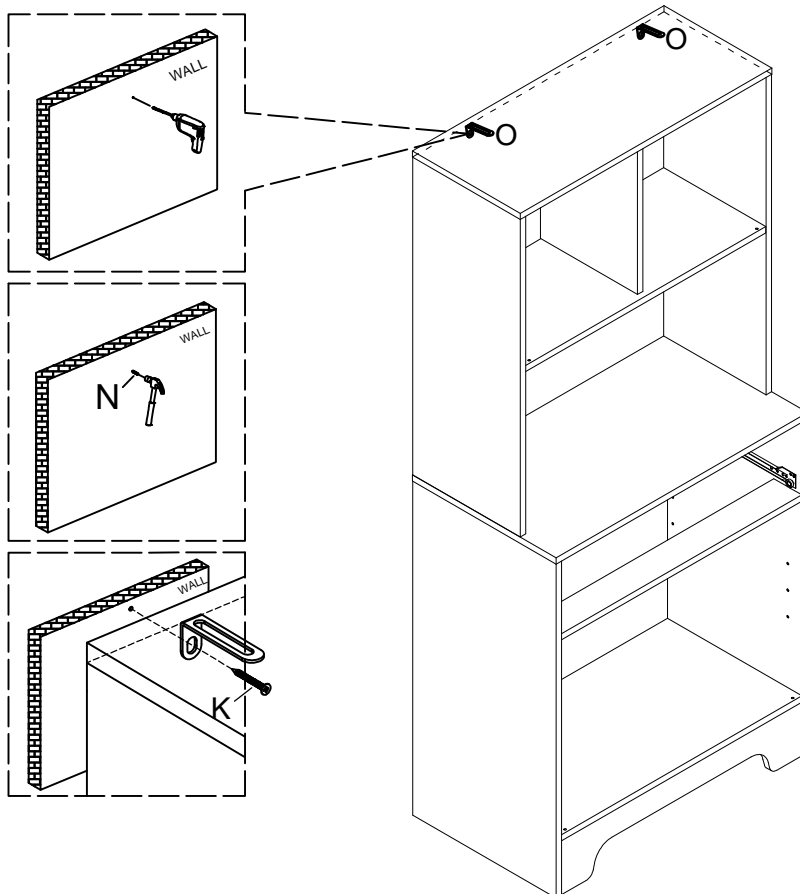
B	X7	G	X2
			
Ø15x9mm		Ø8x30mm	

15



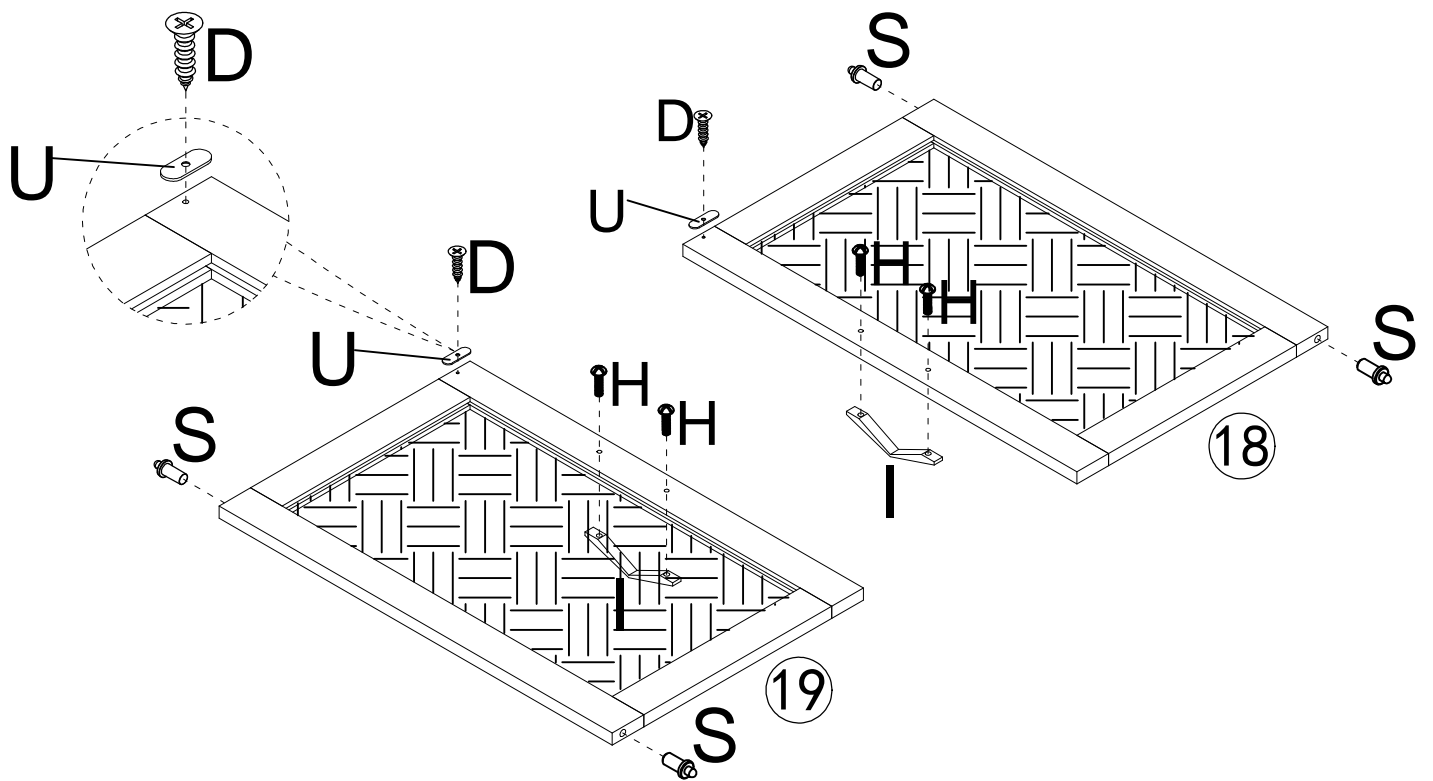
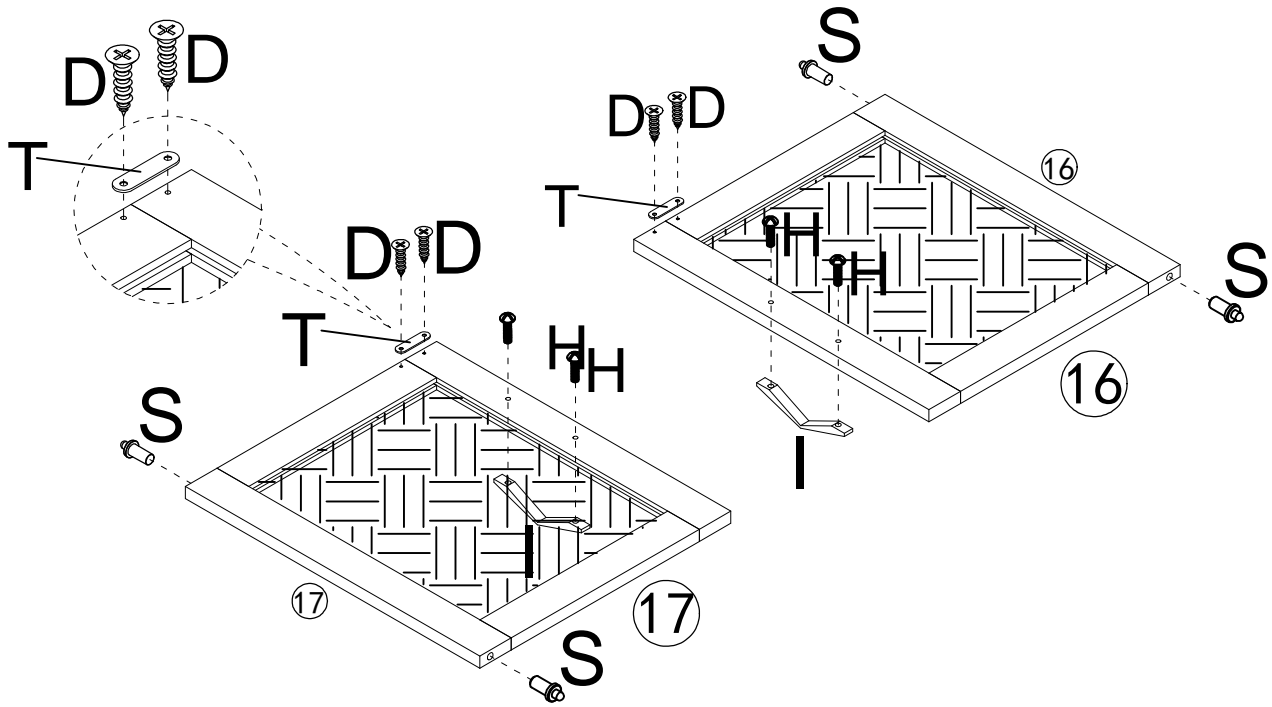
C	x8	D	x8
		M3x14mm	







16



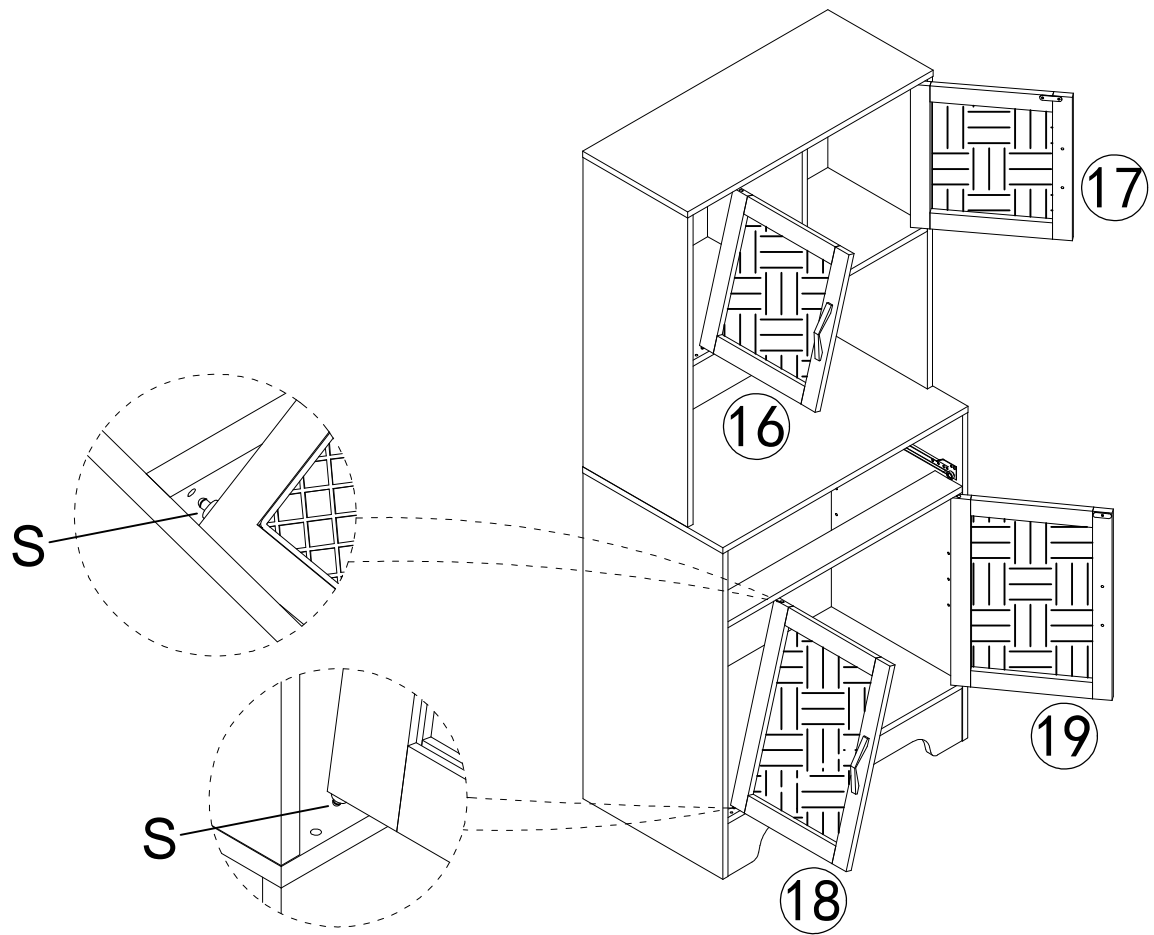
N	x2	K	x2
Ø6x30mm		M4x35mm	

17

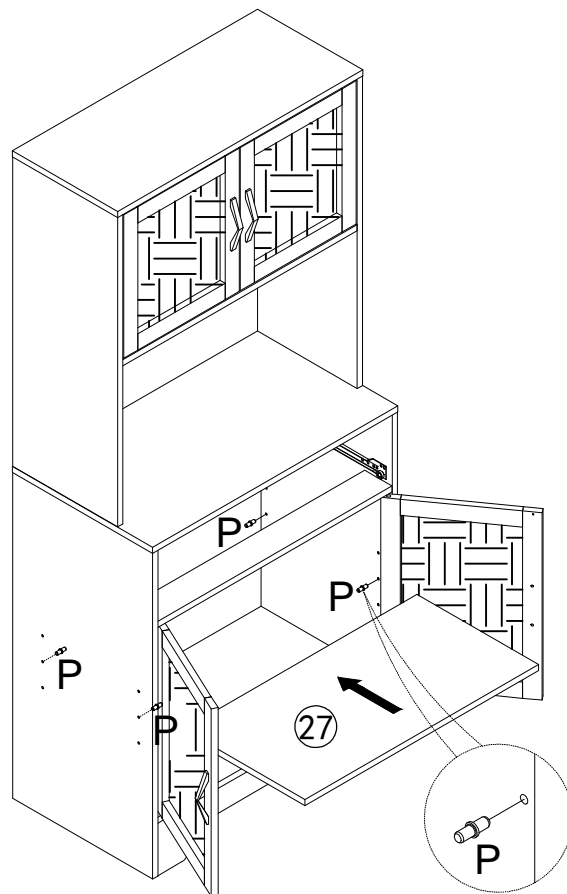



U	X2	D	X6	T	X2	S	X8	H	X8	I	X4
											
		M3x14						M4x18mm			

18

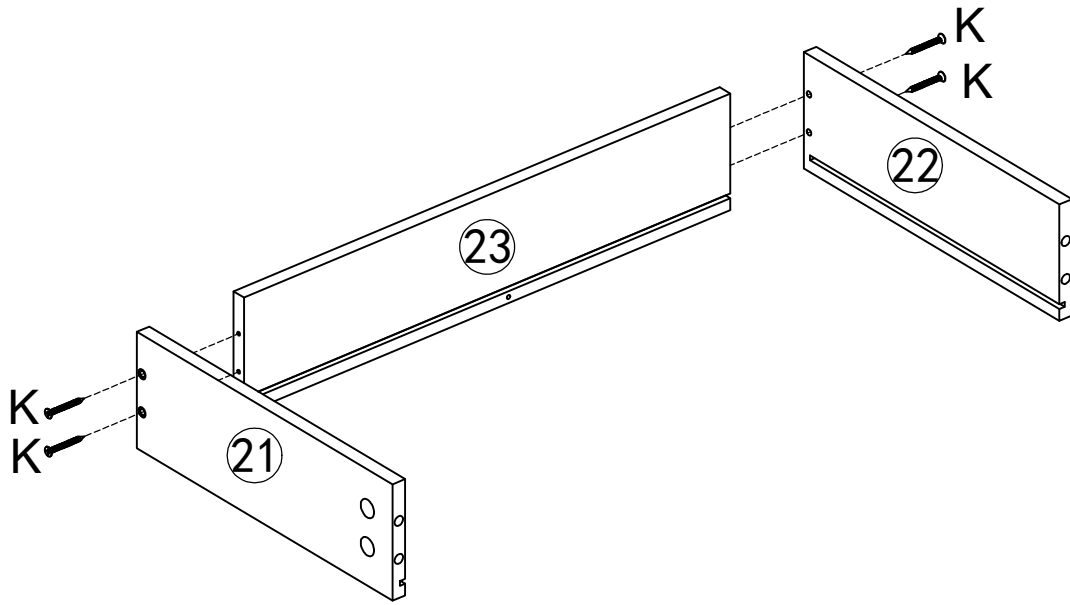



19



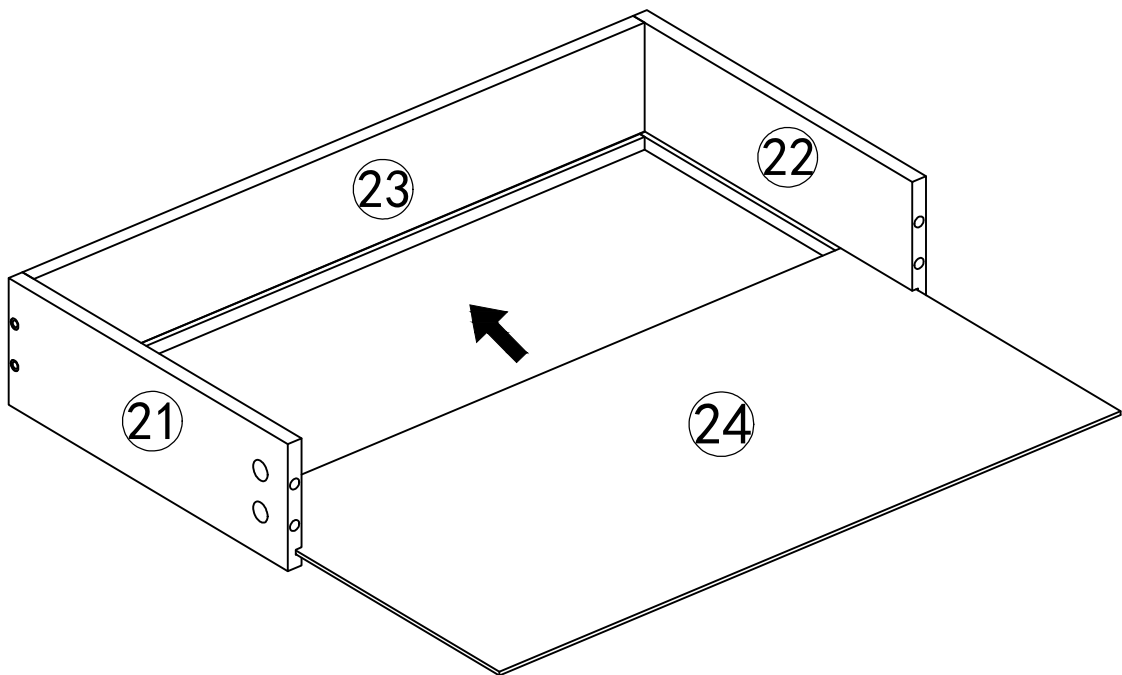
P	x4
	

20

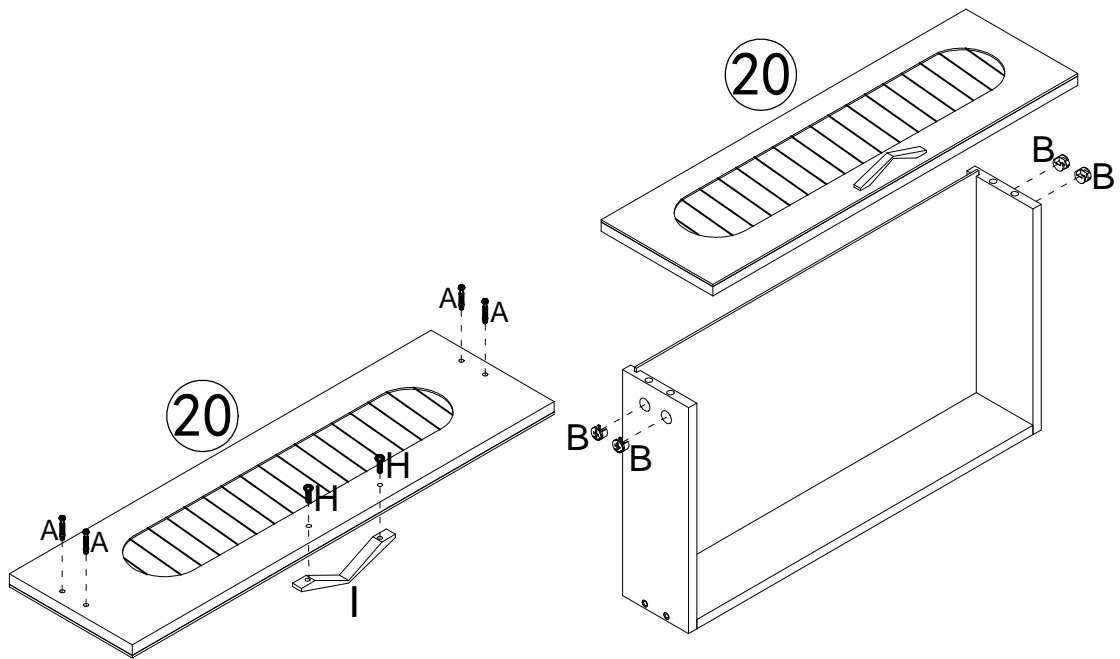



K	X4
	
M4x35mm	

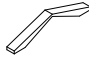
21





22



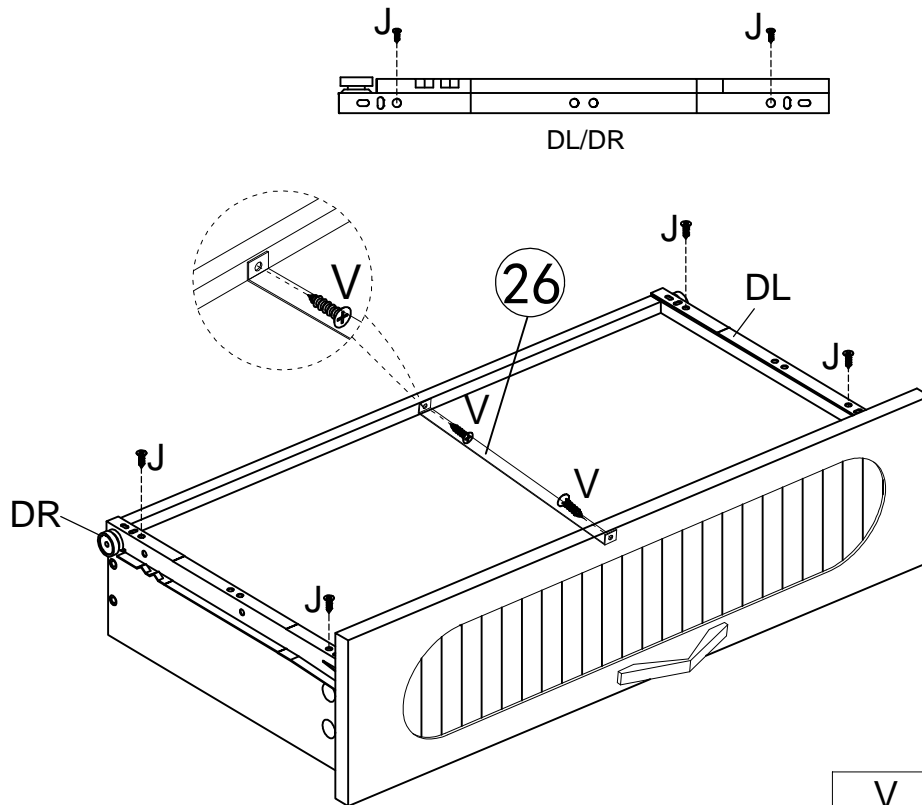
H	X2
	
M4x18mm	


I	X1
	


A	X4
	
M6x35mm	

B	X4
	
Ø15x9mm	

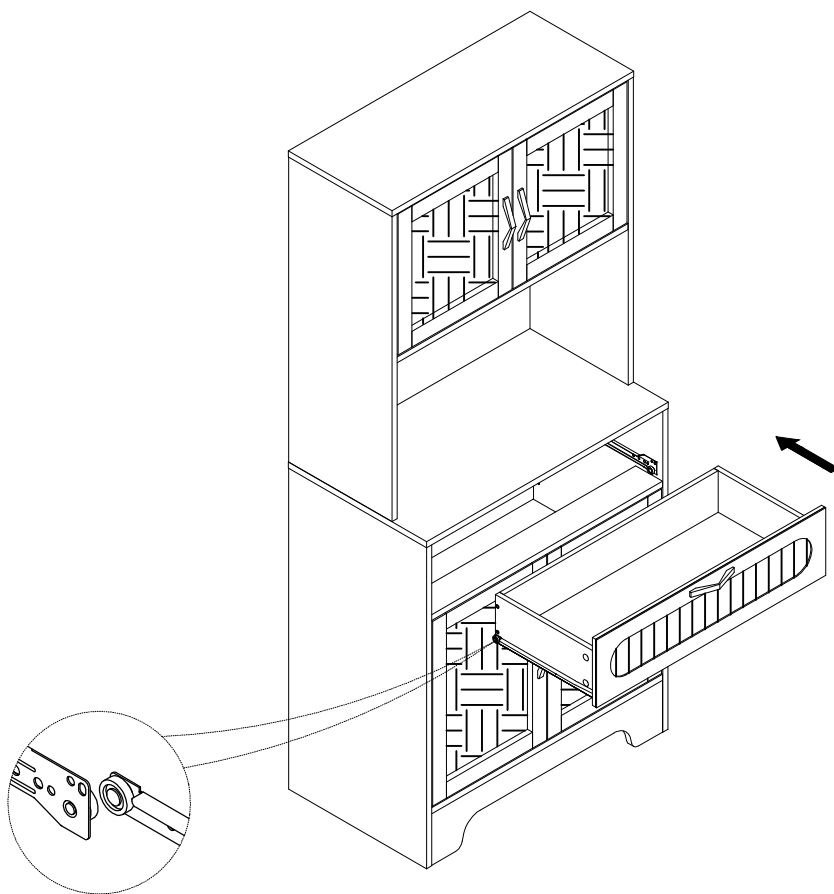
23



V	X2
	
M3.5x12mm	

J	X4
	
M3x14mm	

24



25

