







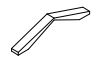








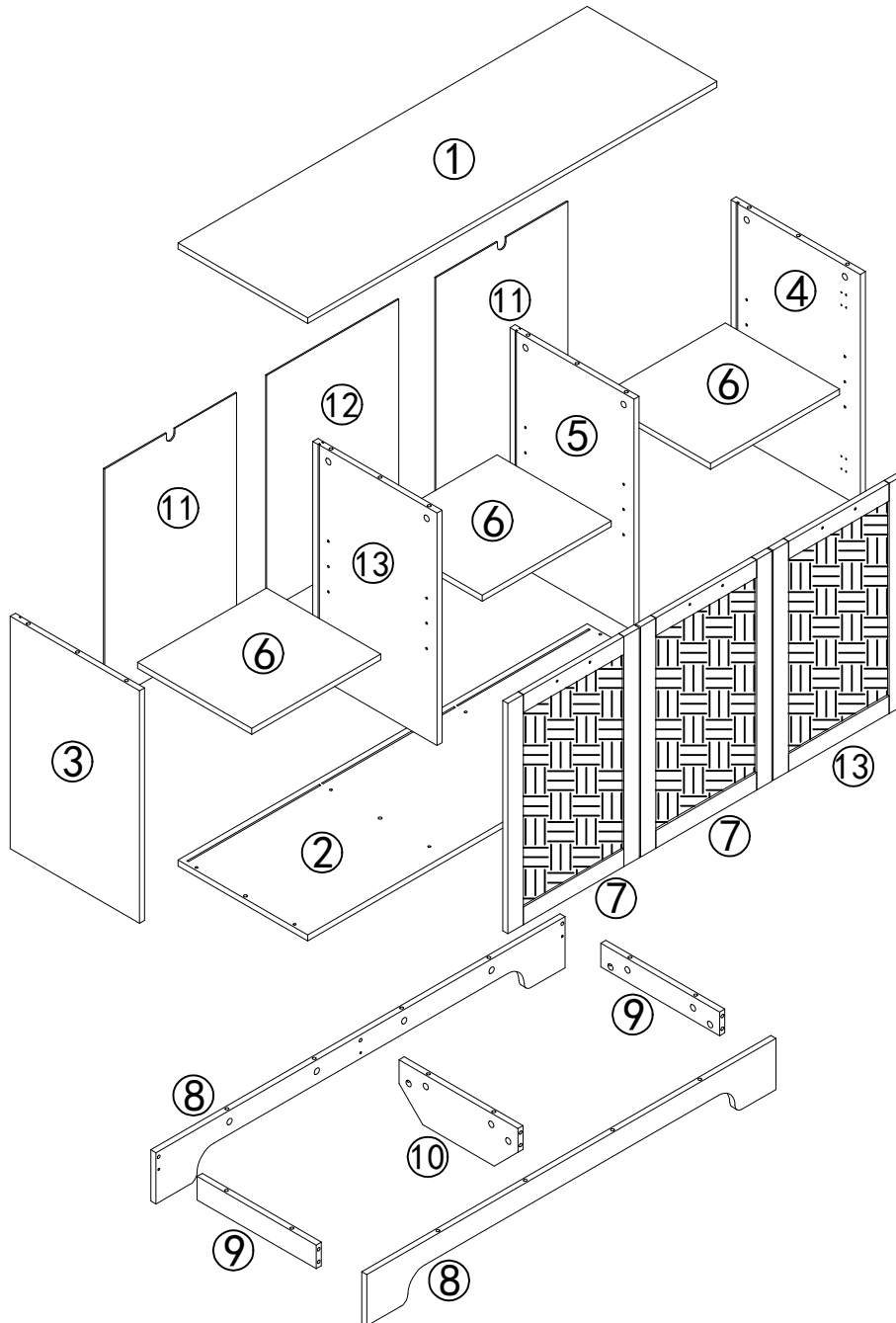
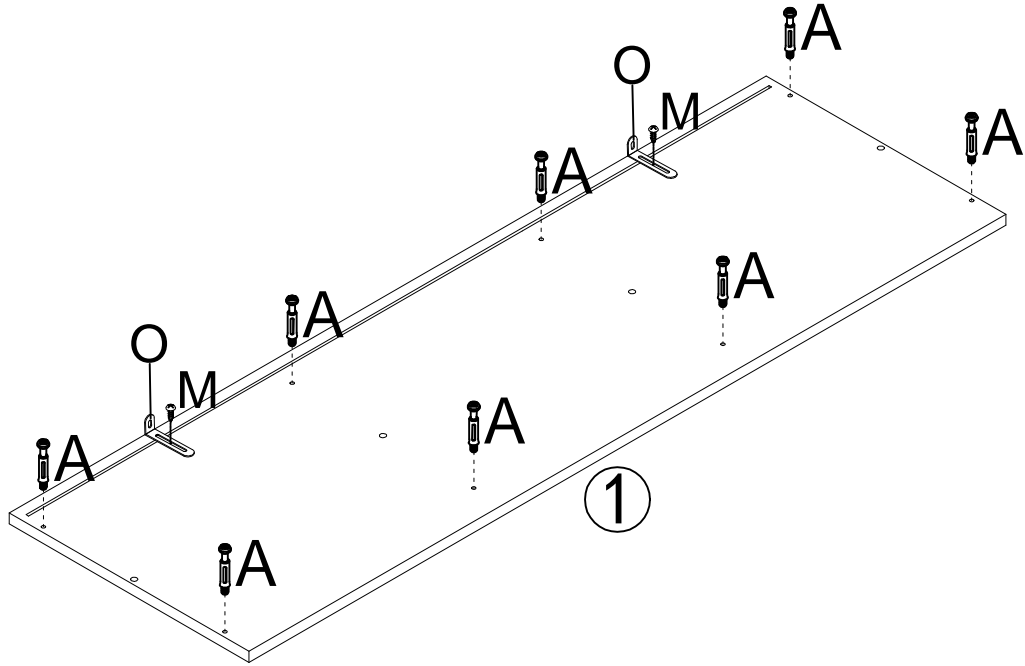


Assembly Instruction

A	X28	B	X28	C	X8	D	X8	E	X1	F	X8	G	X8
													
M6x35mm		Ø15x12mm				M3x14mm		4mm		M5x40mm		Ø8x30mm	
H	X6	I	X3	J	X36	K	X2	M	X2	N	X2	O	X2
													
M4x18mm				M3.5x14mm		M4x35mm		M4x14mm		Ø6x30mm			
P	X12	Q	X4	R	X2								
													

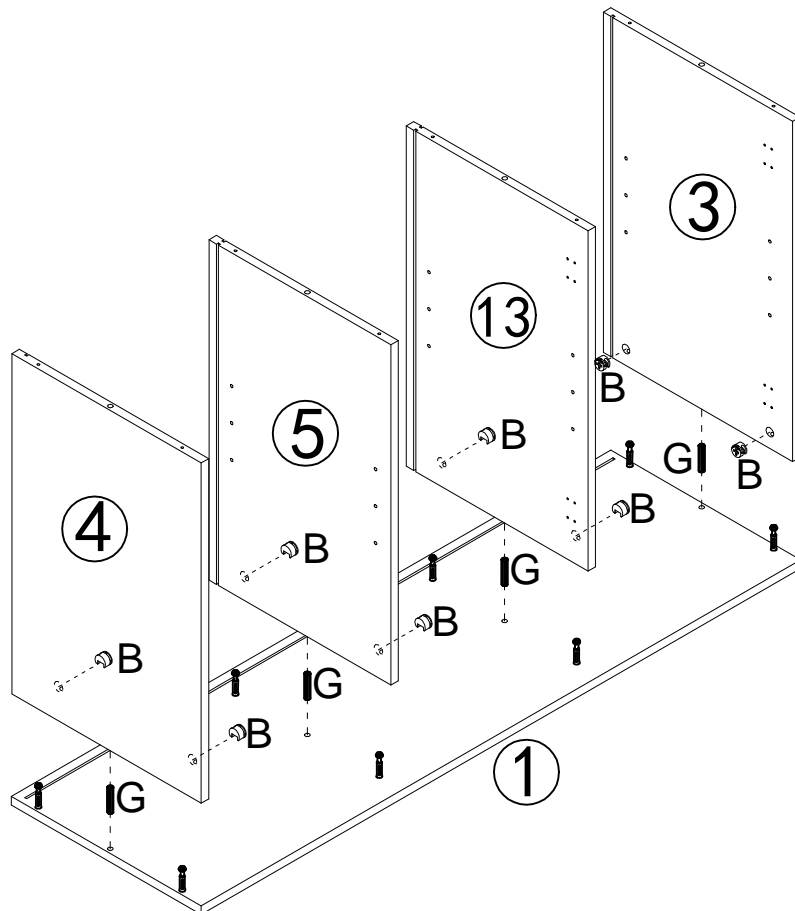


1



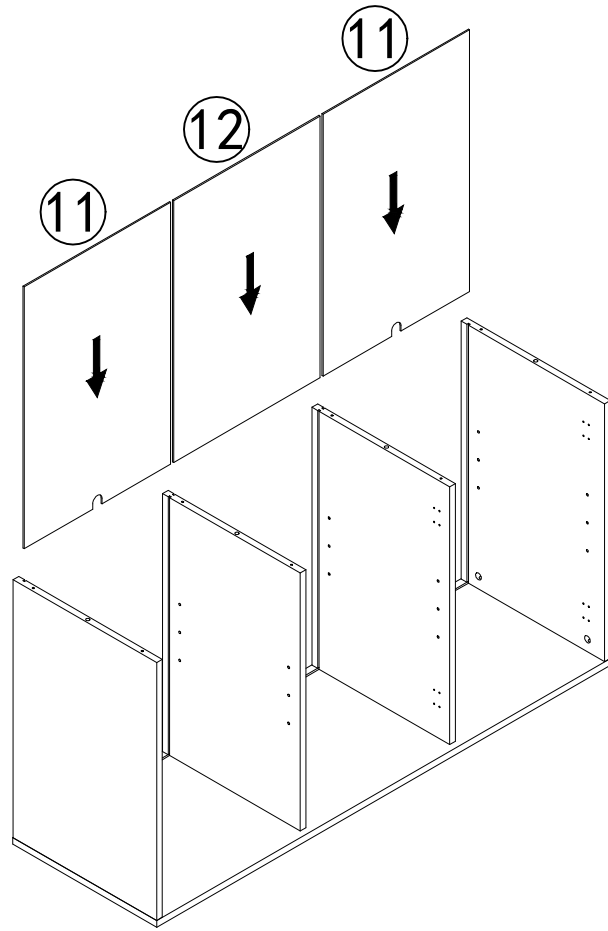
O	X2	M	X2	A	X8
		M4x14mm		M6x35mm	

2

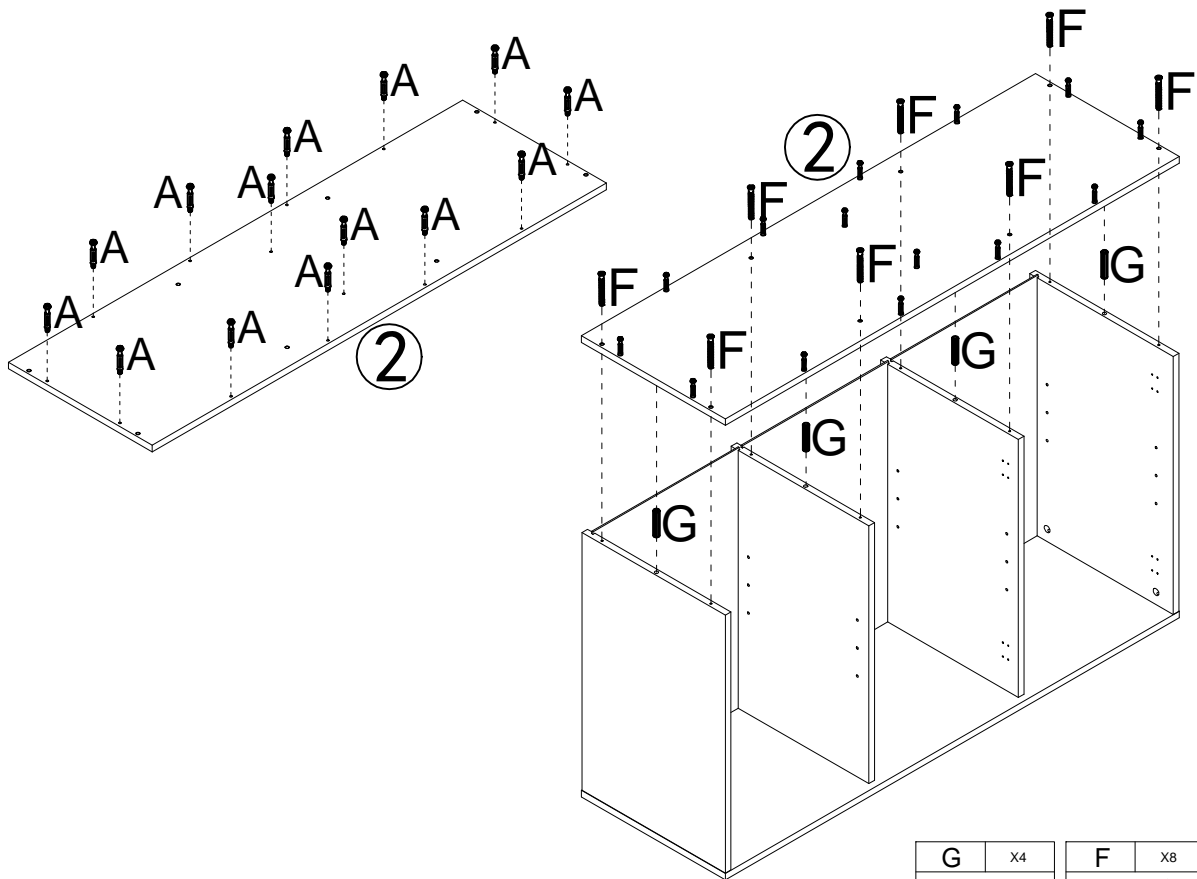





B	X8	G	X4
Ø15x9mm		Ø8x30mm	

3

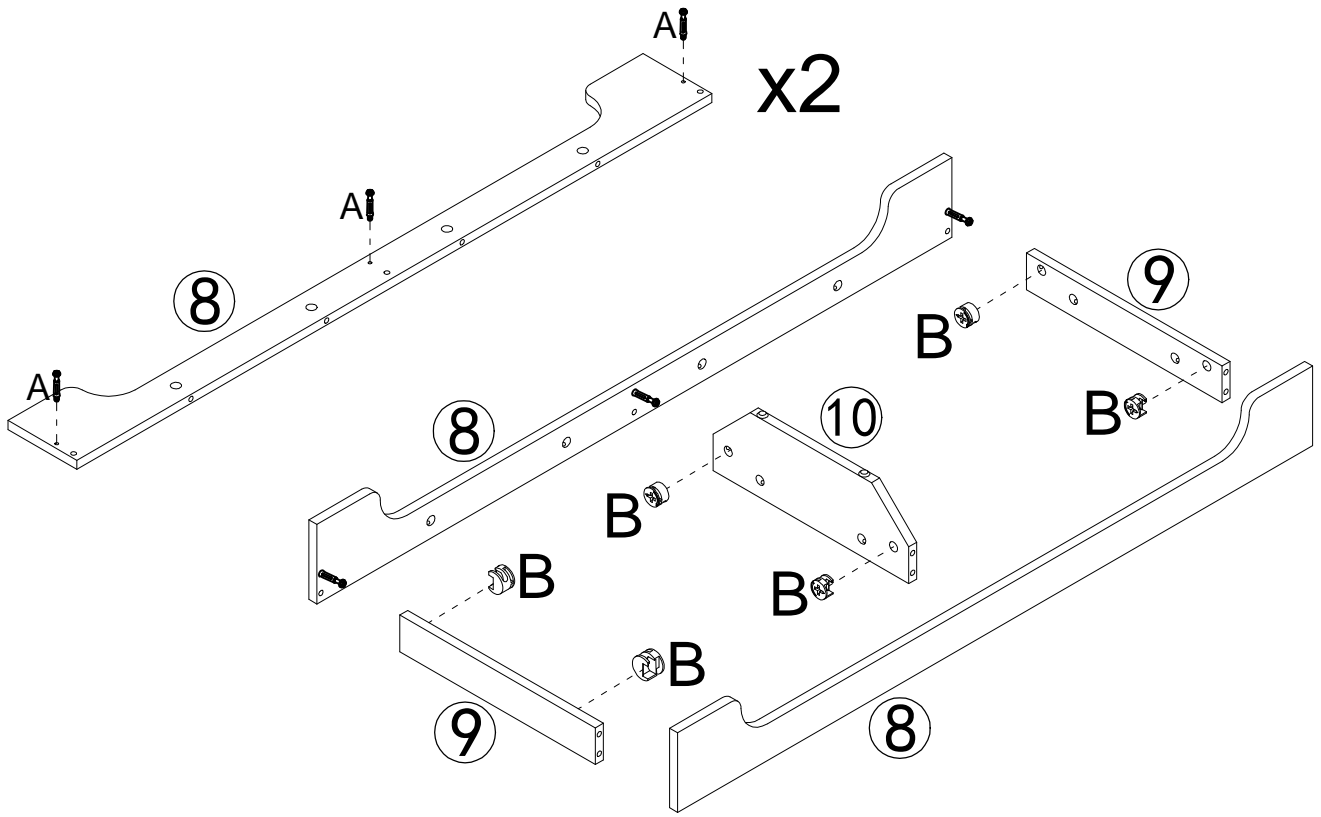




4



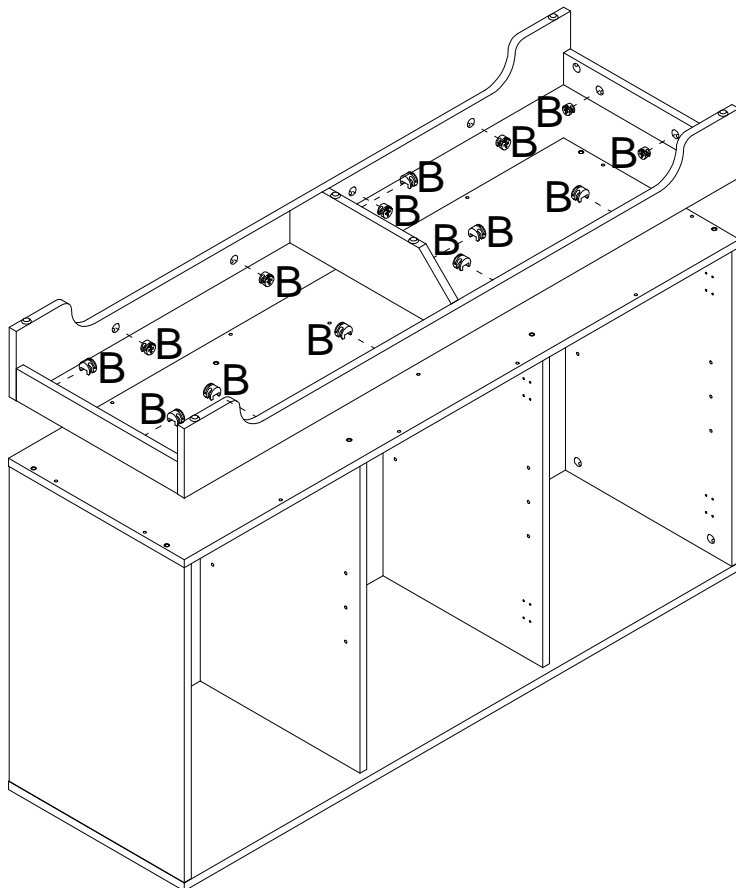
G	x4	F	x8	A	x14
					
Ø8x30mm		M5x40mm		M6x35mm	


5



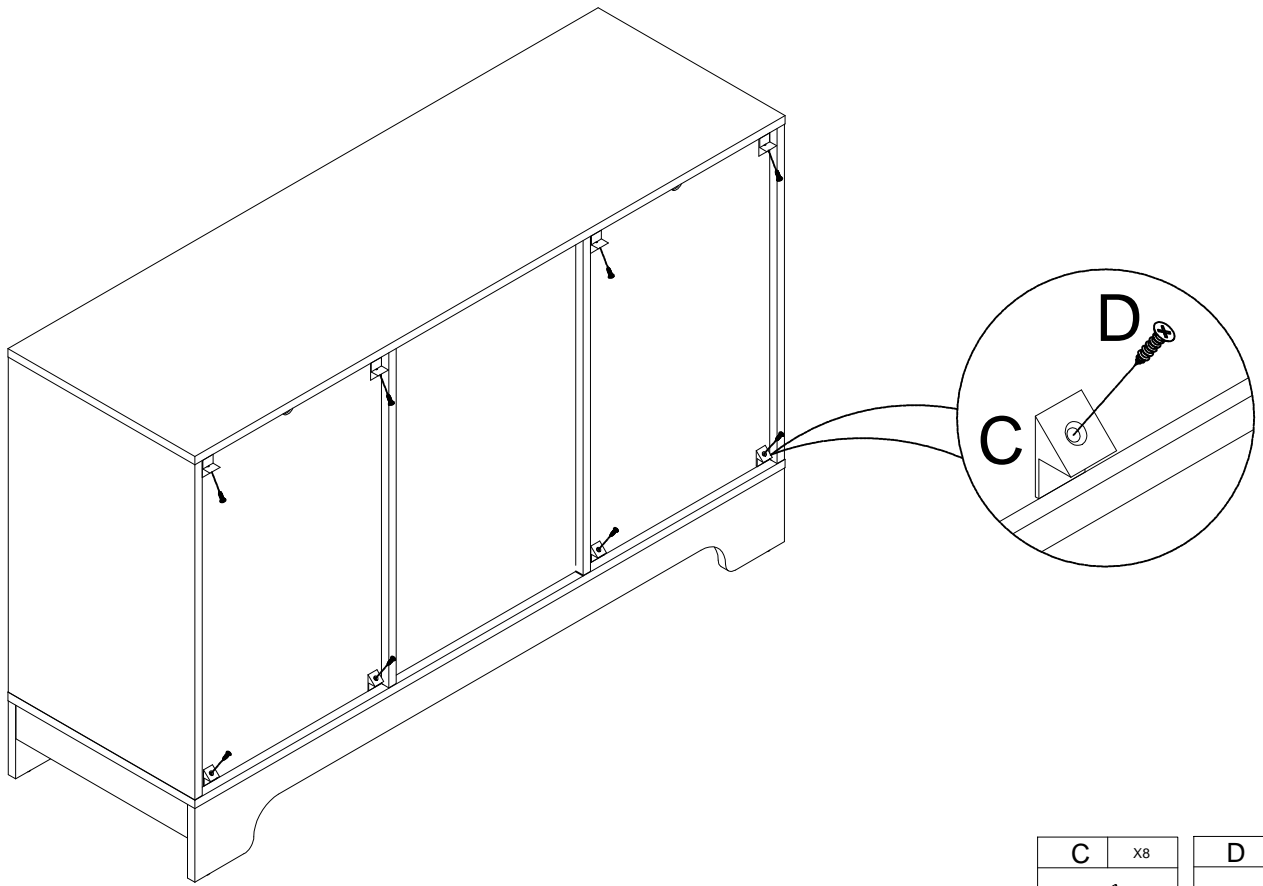
B	x6	A	x6
			
Ø15x9mm		M6x35mm	

6



B	x14
	
Ø15x9mm	

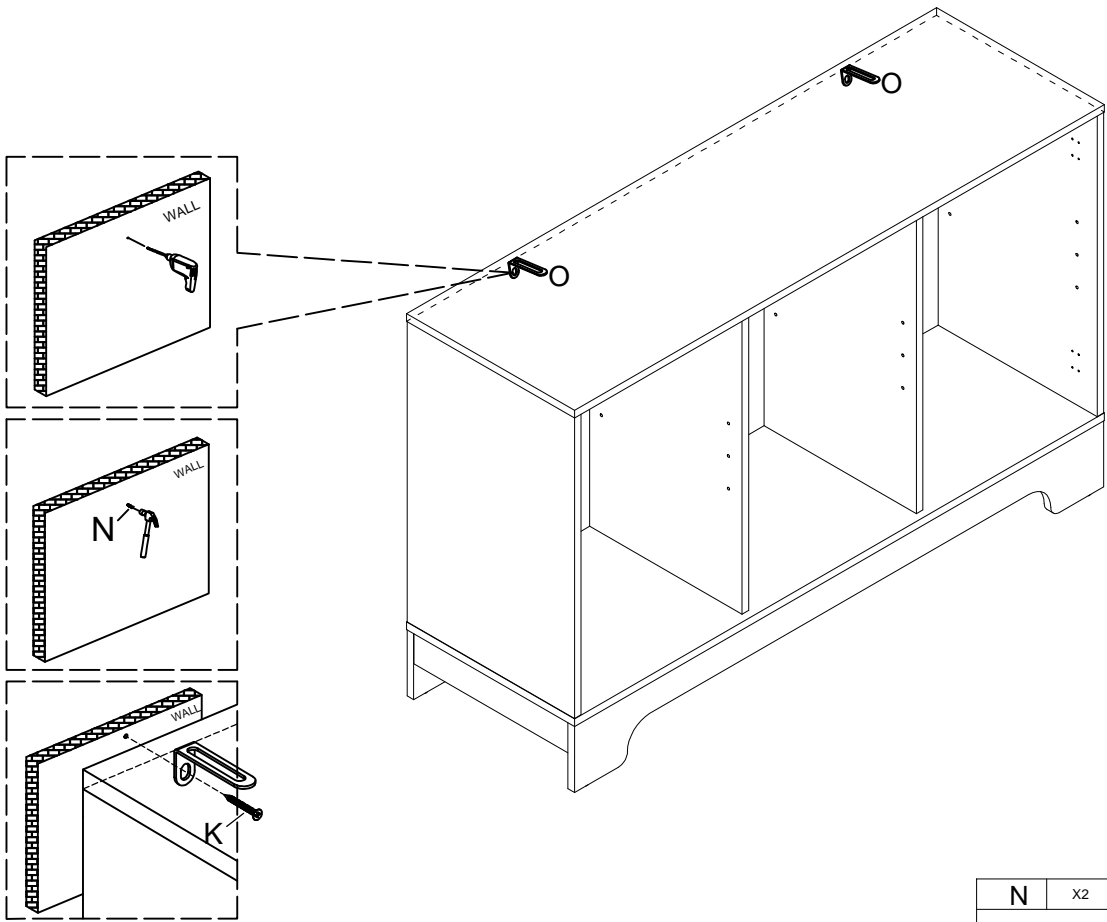
7



C	x8

D	x8
M3x14mm	

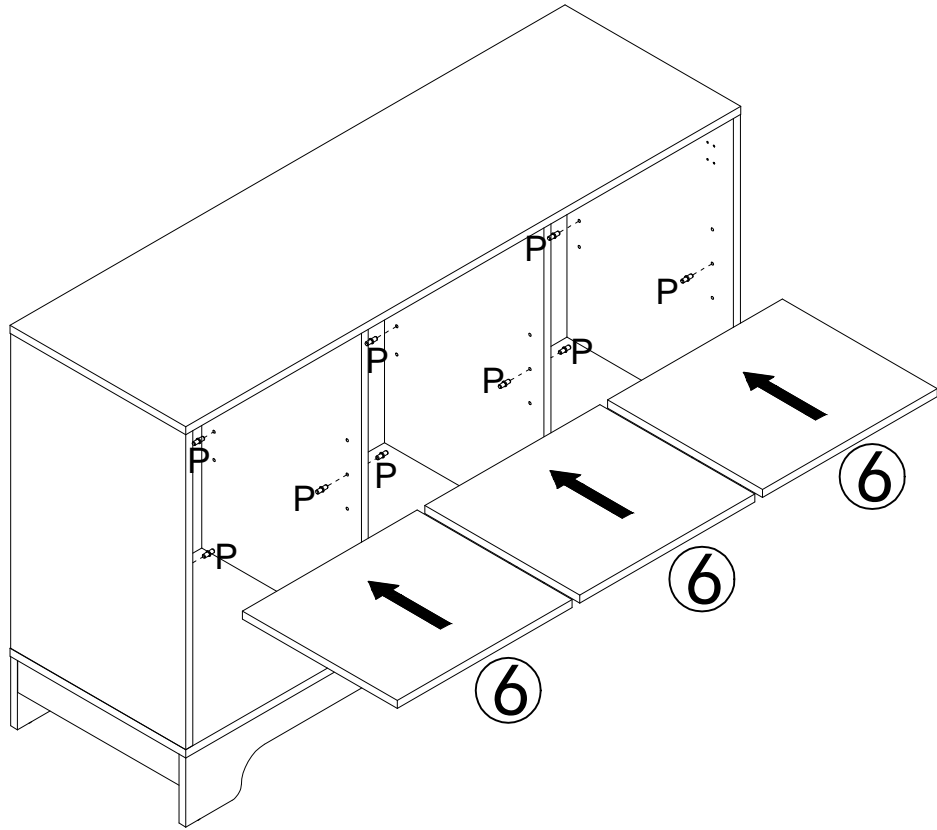
8




N	x2
Ø6x30mm	

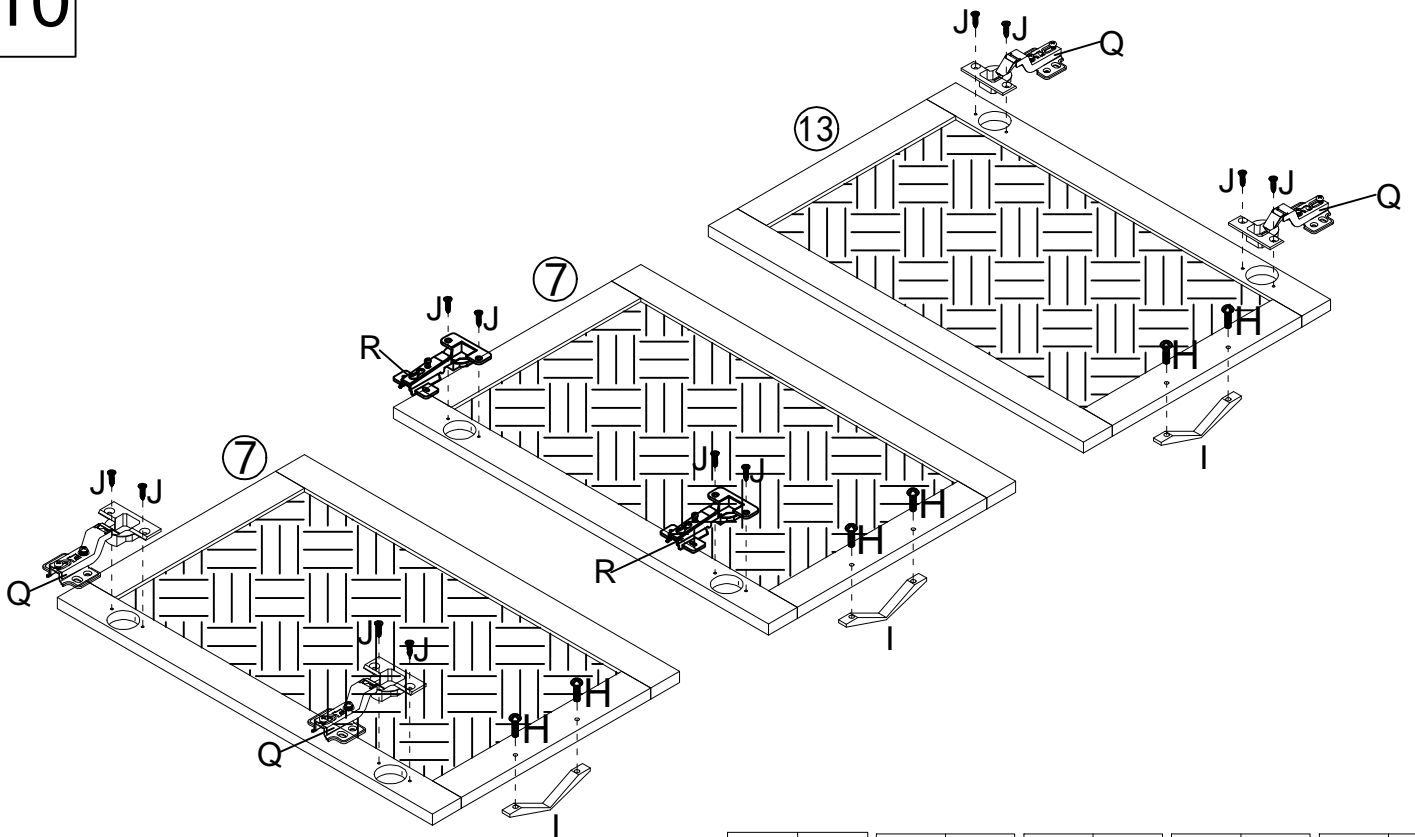
K	x2
M4x35mm	






9



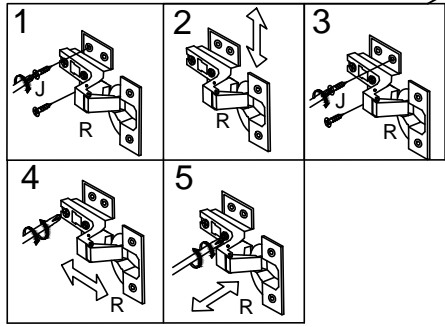
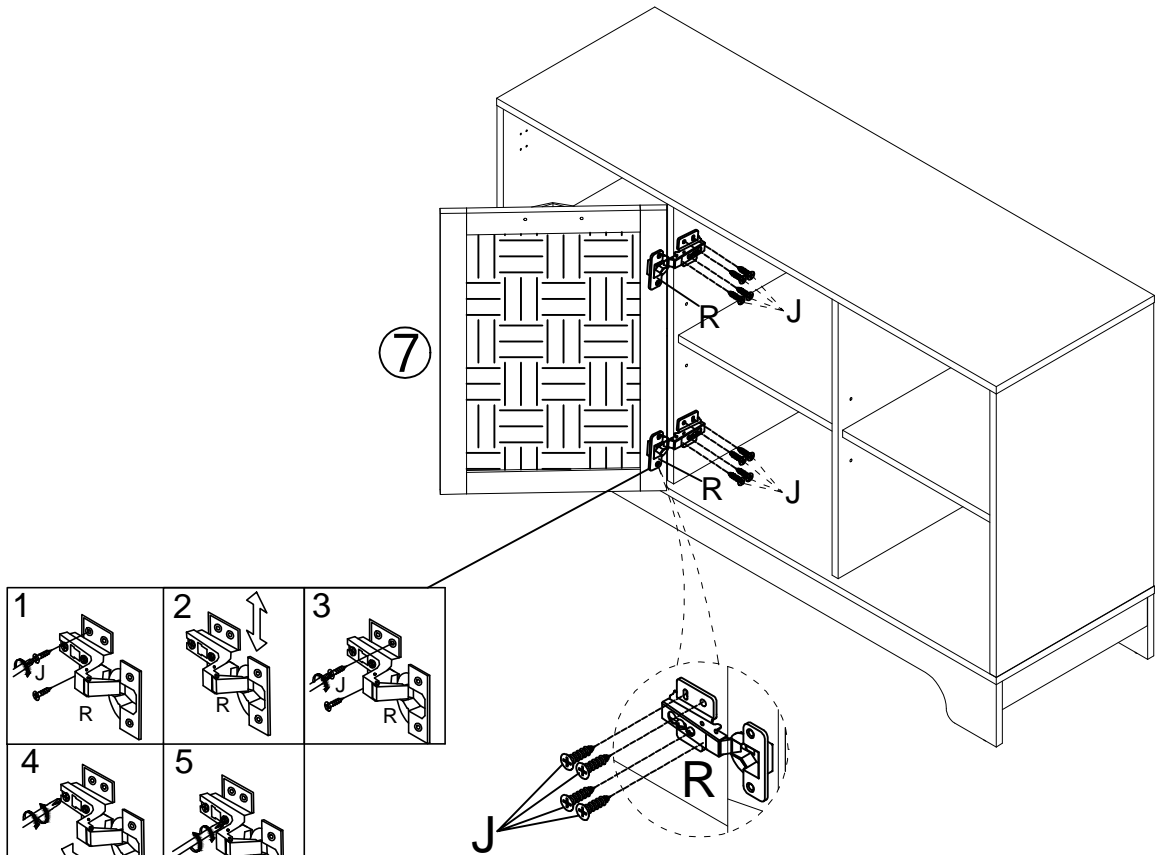
P	X12
	


10



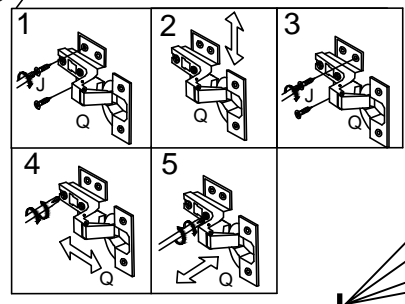
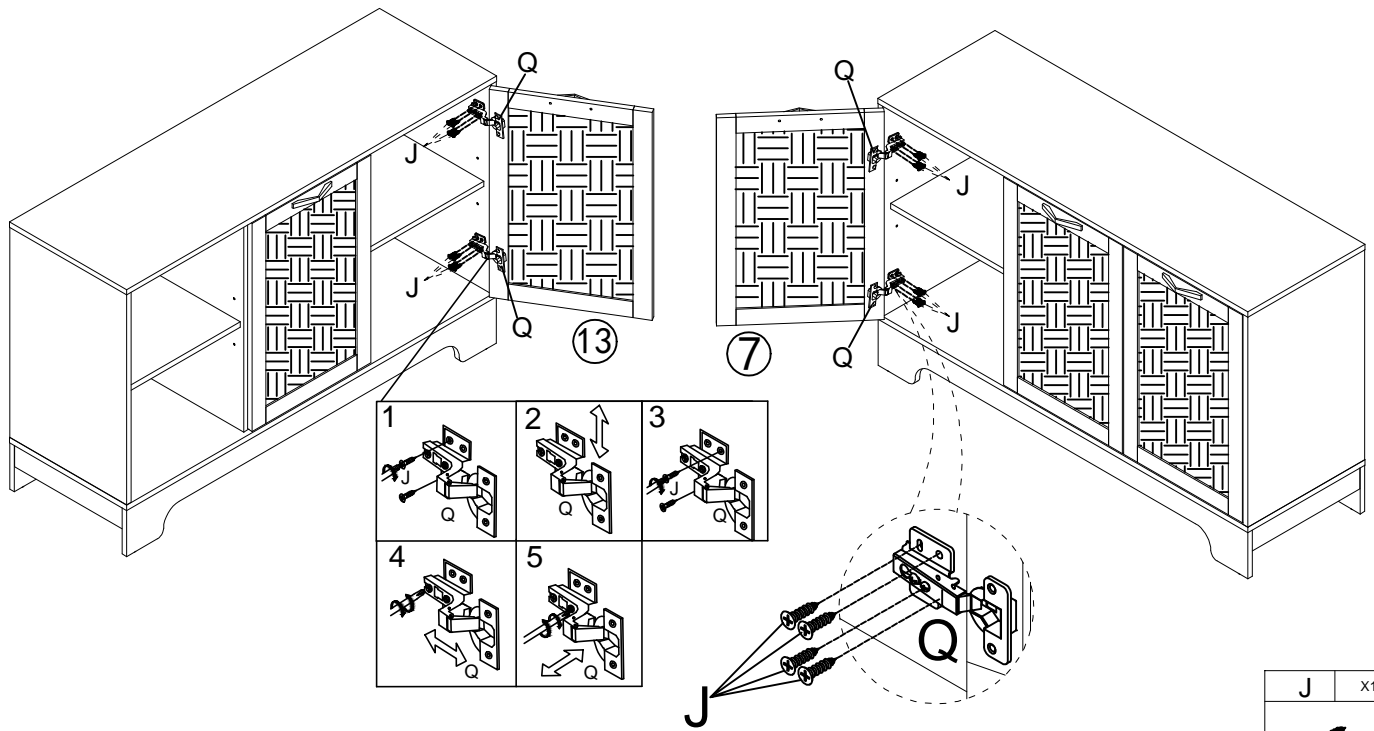
J	X12	Q	X4	R	X2	H	X6	I	X3
									
M3.5x14mm						M4x18mm			


11



J	x8
	
M3.5x14mm	

12



J	x16
	
M3.5x14mm	

