







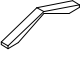




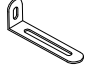
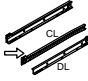
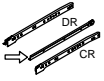
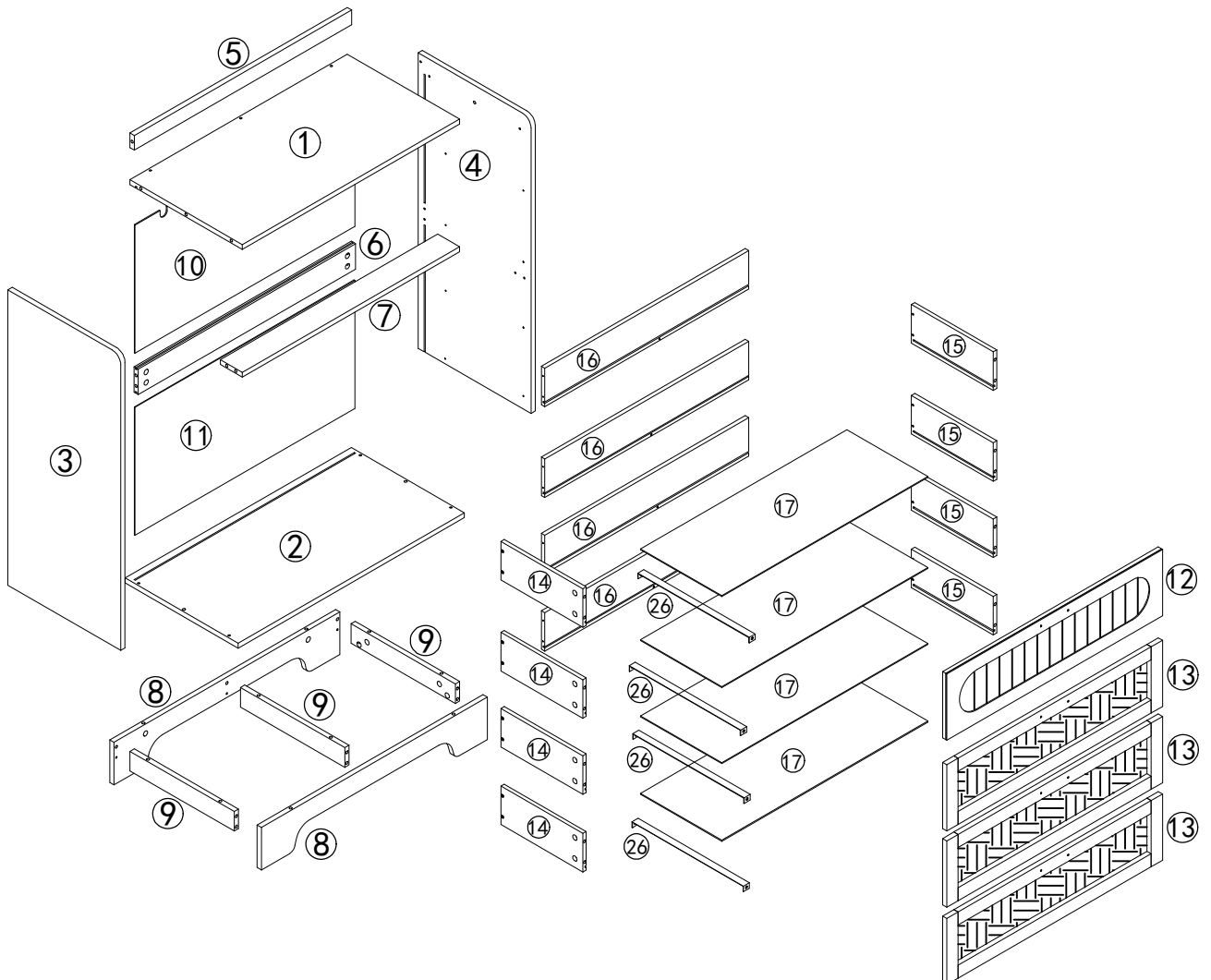
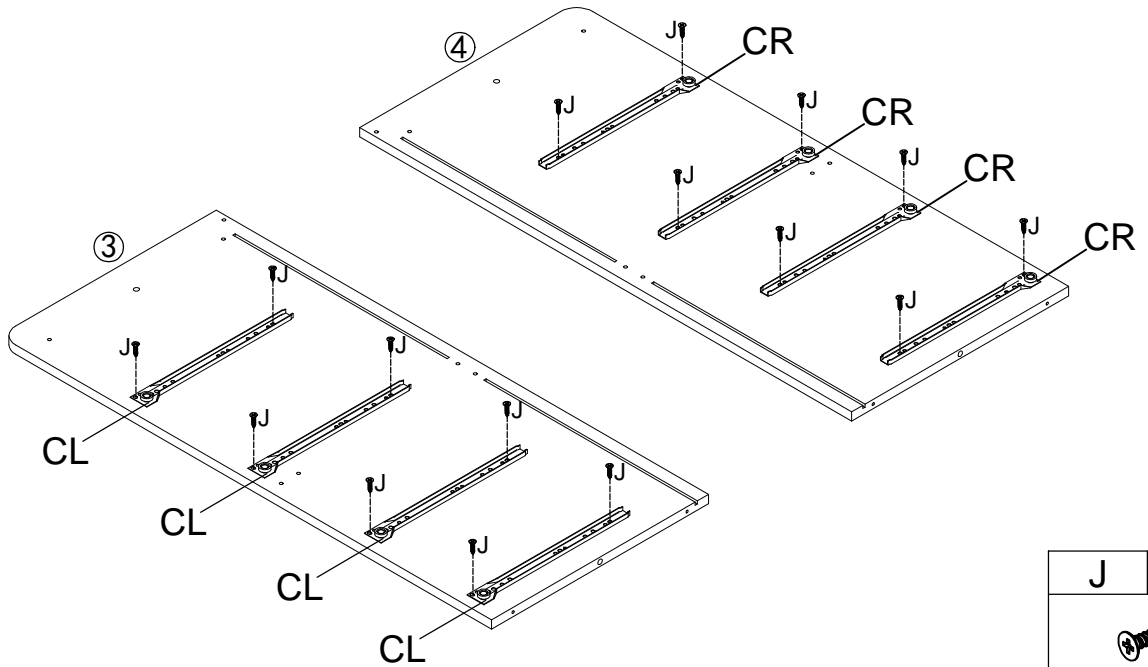
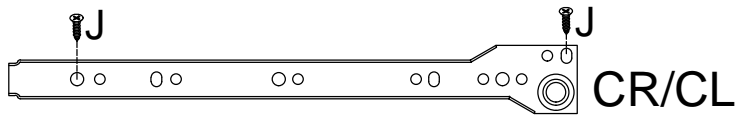



Assembly Instruction

A	X30	B	X30	C	X4	D	X8	E	X1	F	X7	G	X4
													
M6x35mm		Ø15x9mm				M3.5x12mm		4mm		M5x40mm		Ø8x30mm	
H	X8	I	X4	J	X36	K	X18	M	X2	N	X2	O	X2
													
M4x18mm				M3x14mm		M4x35mm		M4x14mm		Ø6x30mm			
L	X4	R	X4										
													

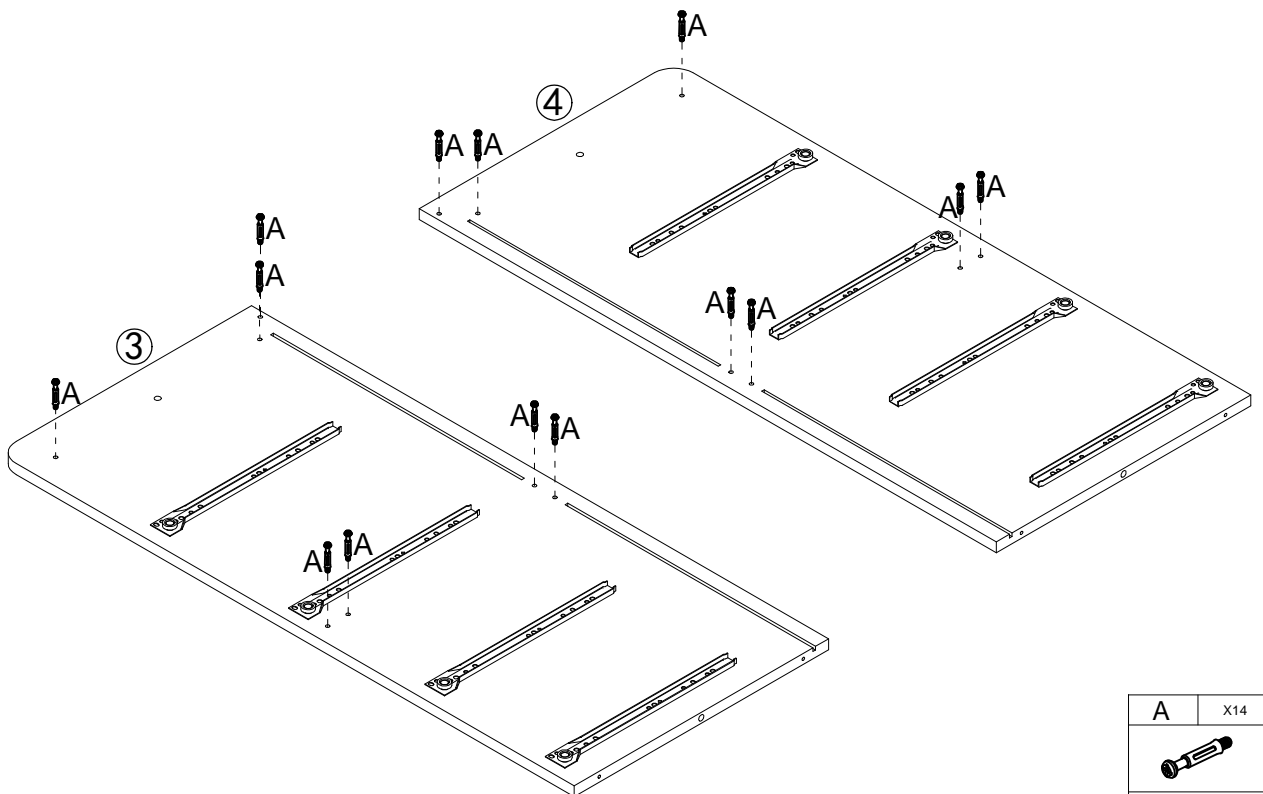



1



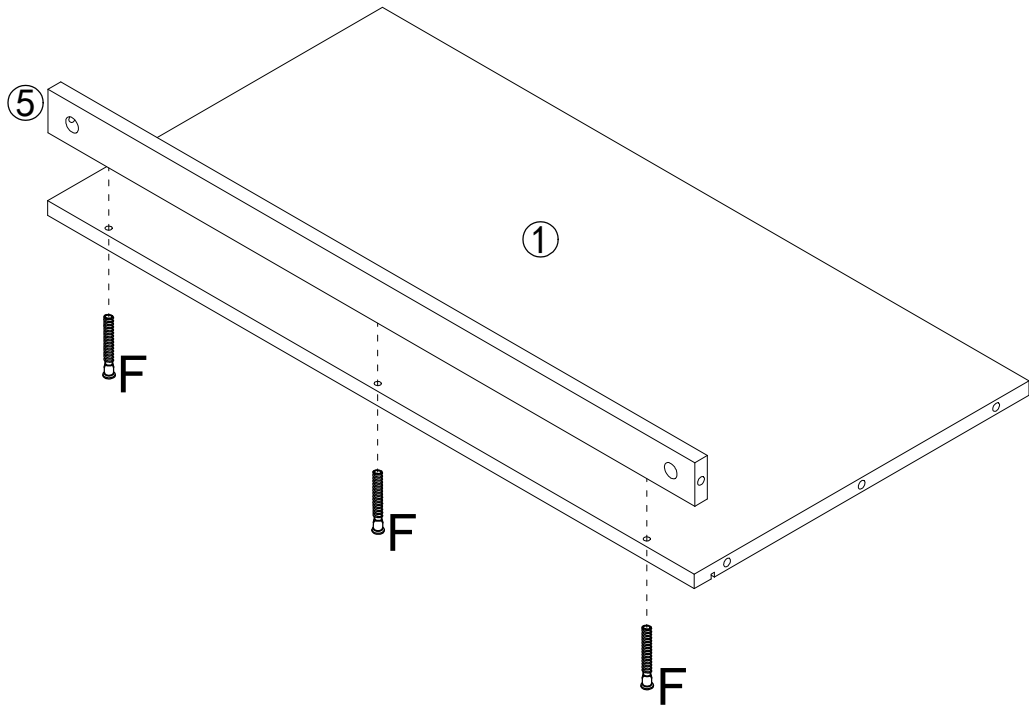
J	X16
	
M3x14mm	


2



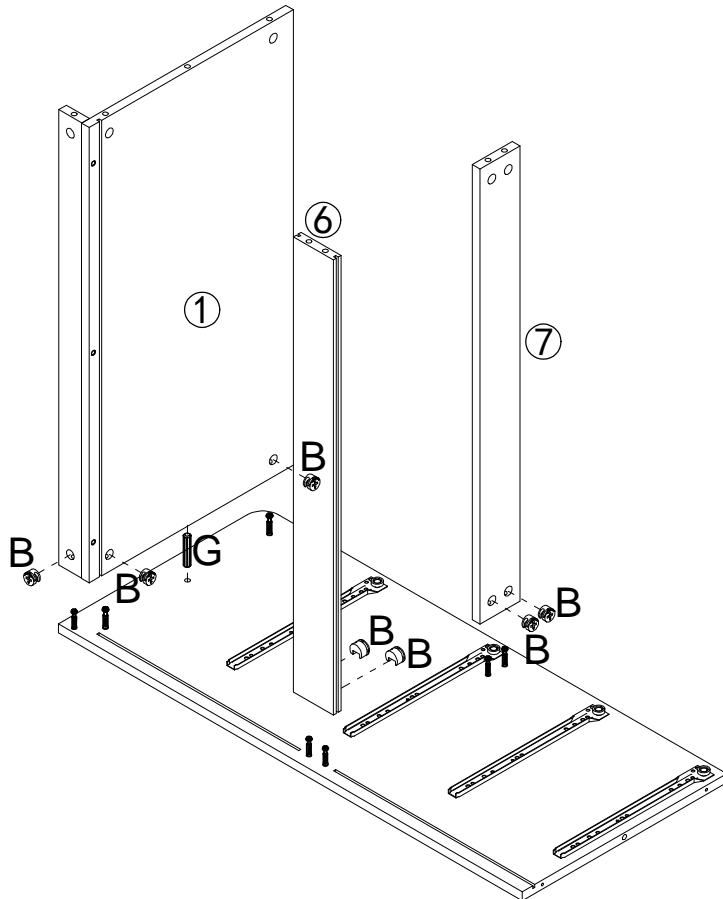
A	X14
	
M6x35mm	



3



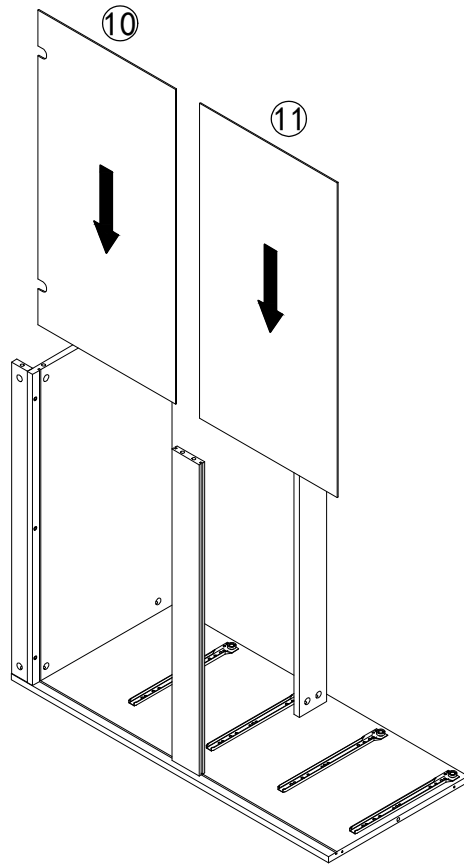
F	x3
	
M5x40mm	

4

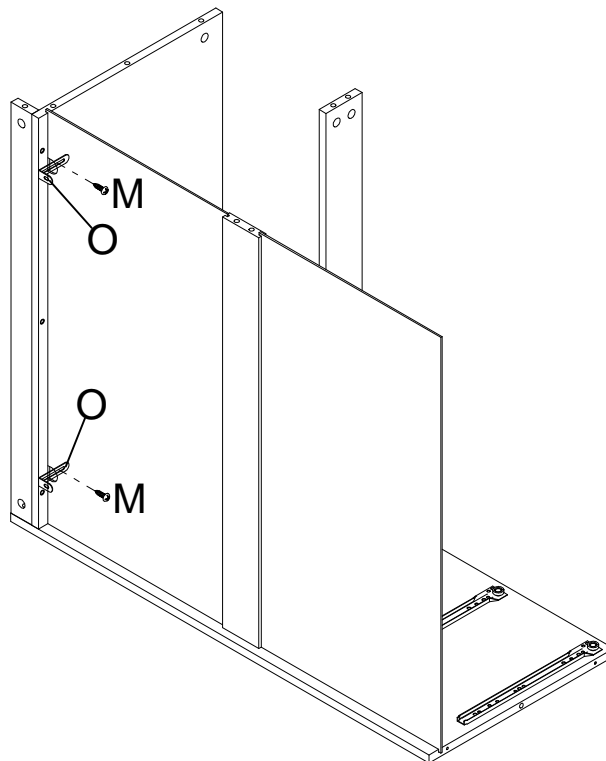


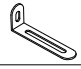

G	x1	B	x7
			
Ø8x30mm		Ø15x9mm	

5

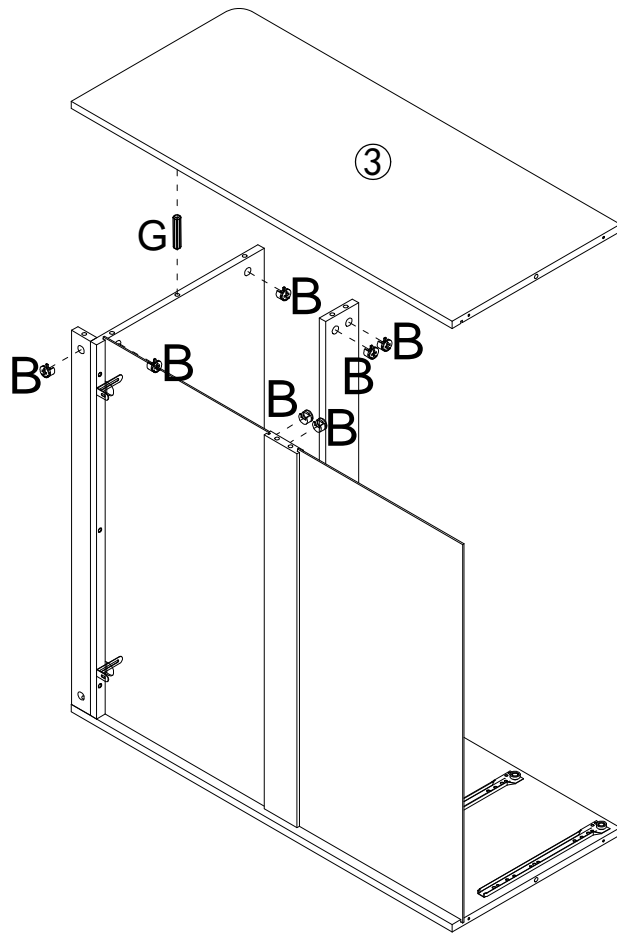



6




O	X2	M	X2
			
		M4x14mm	

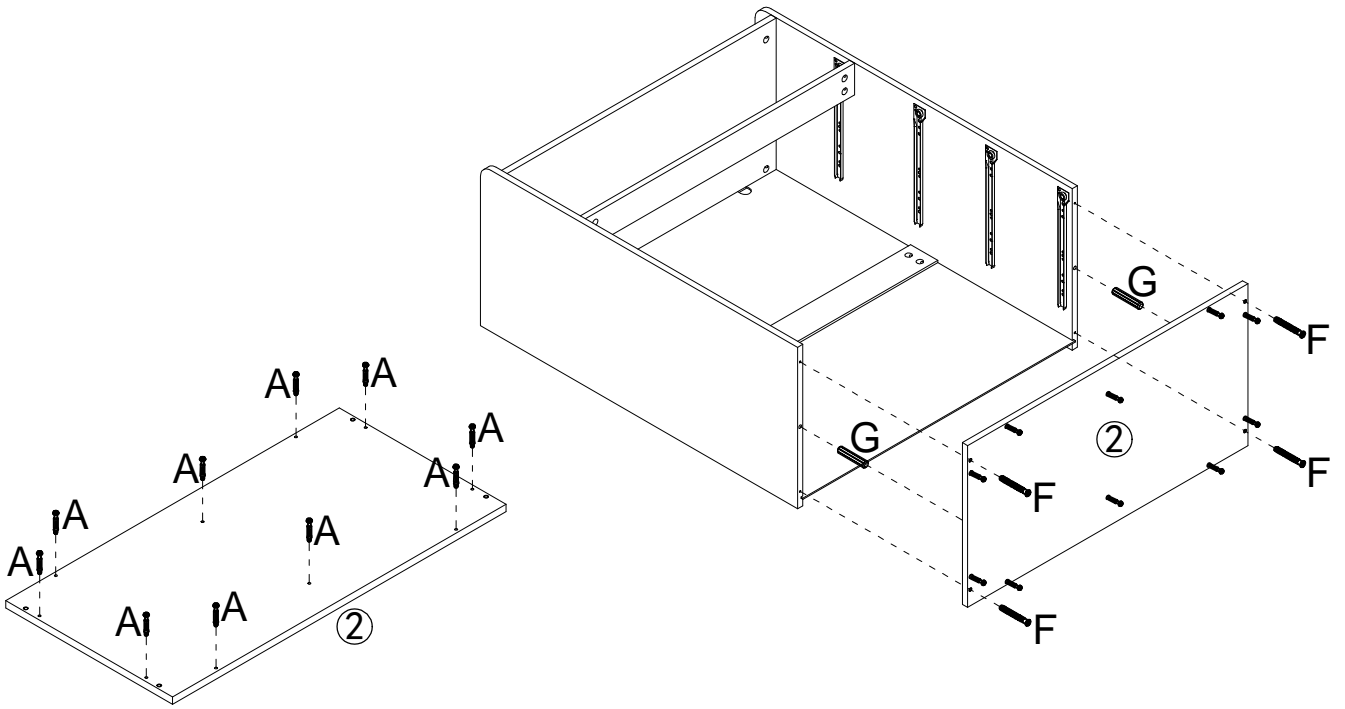
7




G	X1
	
Ø8x30mm	


B	X7
	
Ø15x9mm	

8

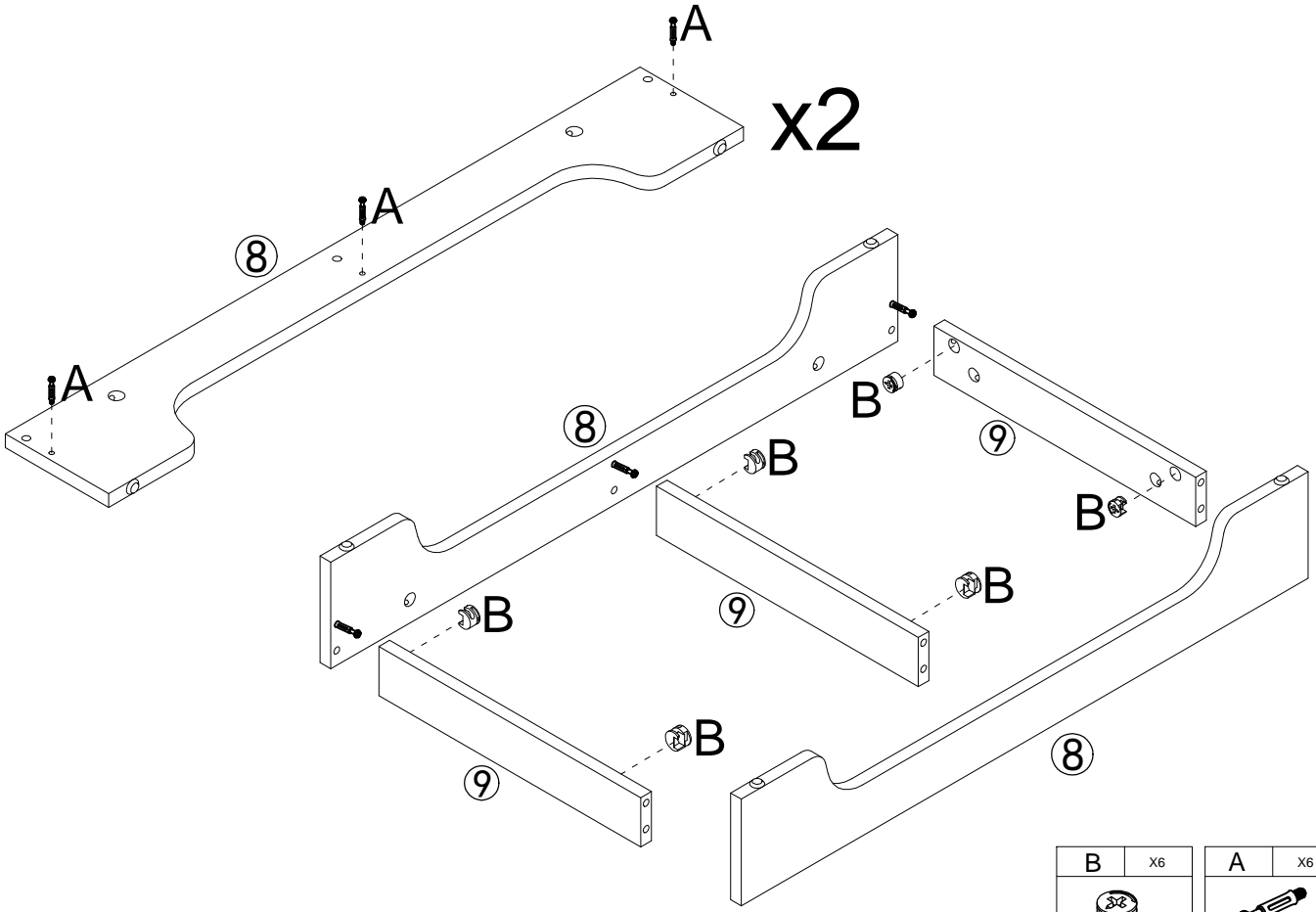




G	X2
	
Ø8x30mm	

F	X4
	
M5x40mm	

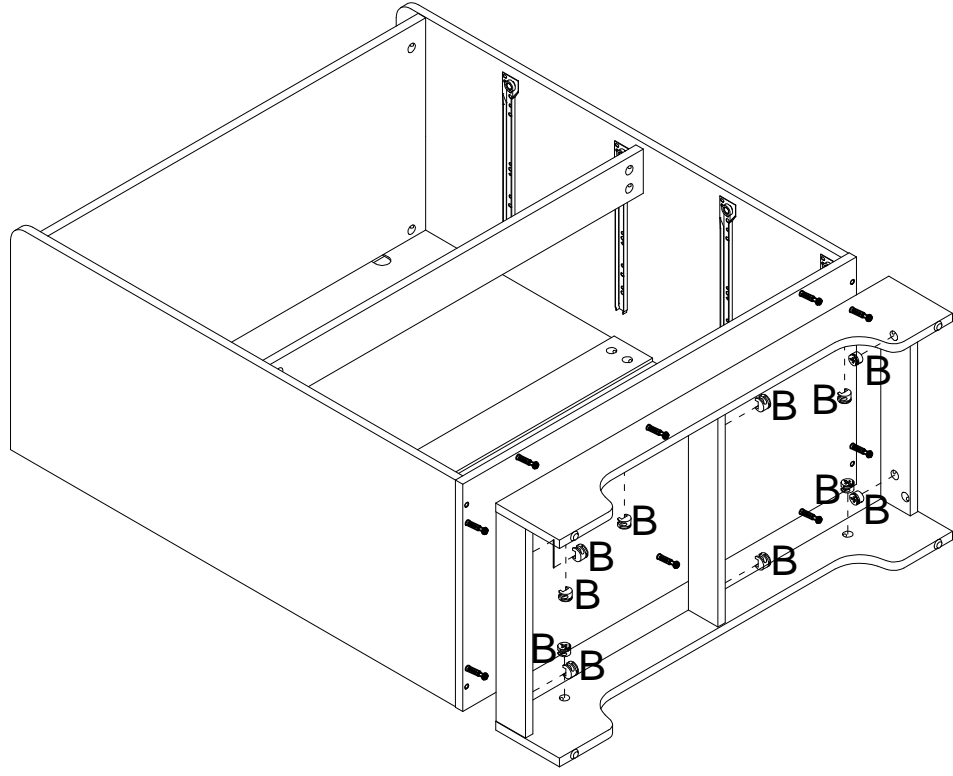
A	X10
	
M6x35mm	


9



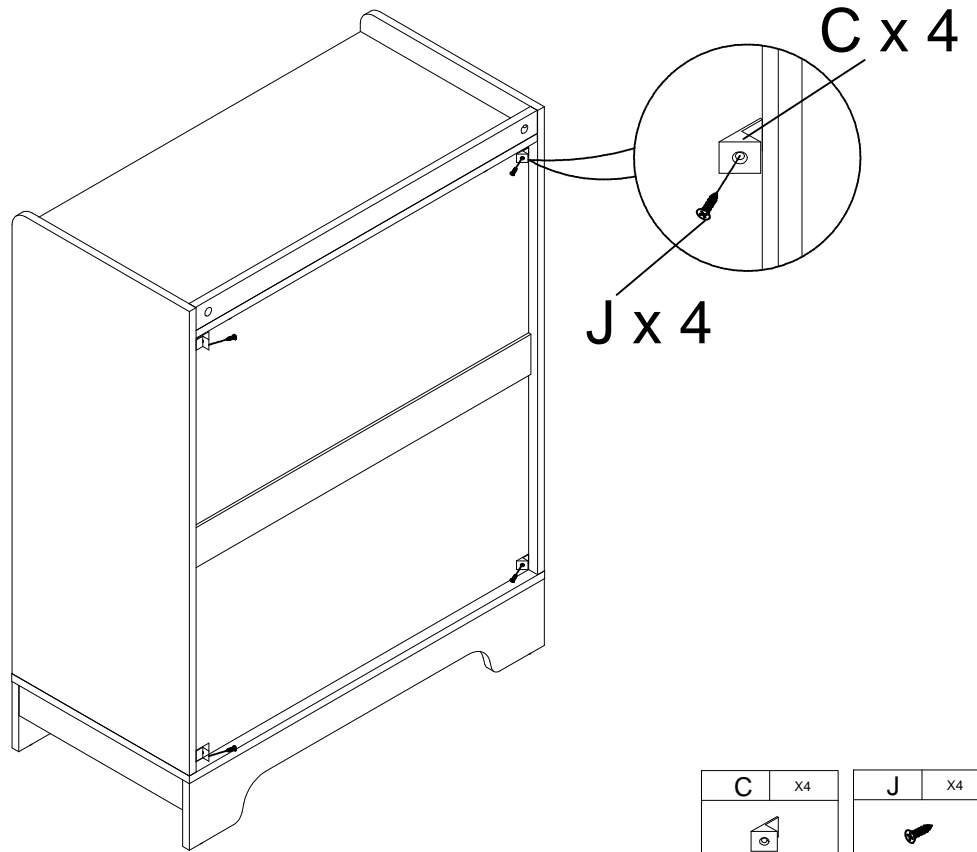
B	x6	A	x6
			
Ø15x9mm		M6x35mm	



10



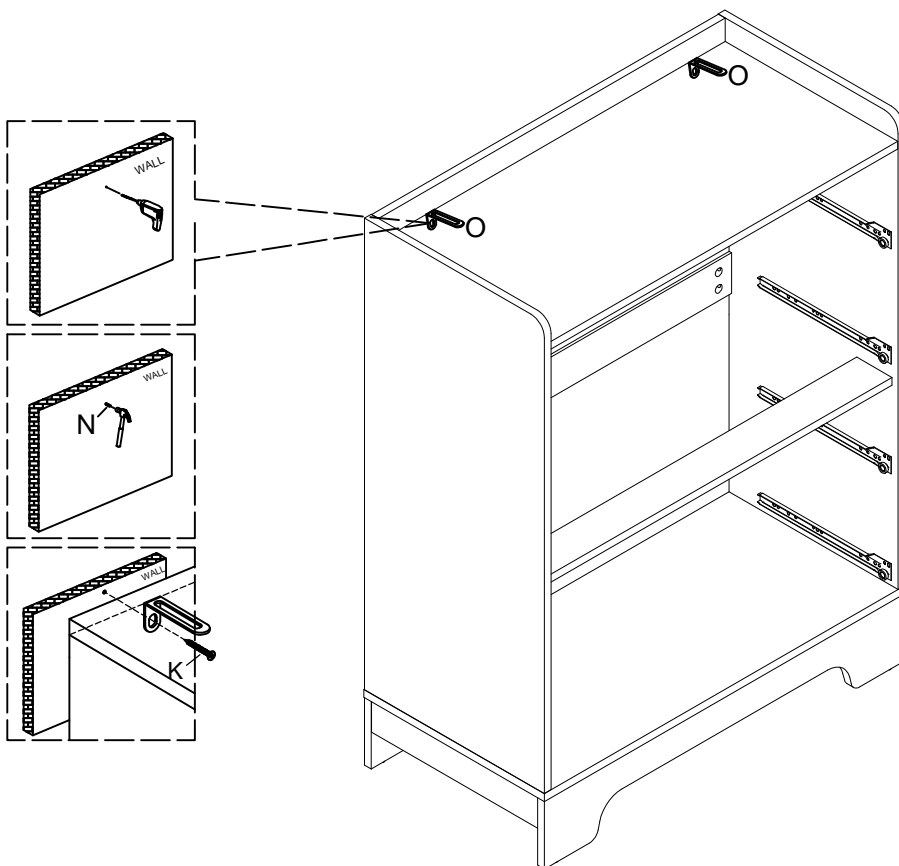
B	x10
	
Ø15x9mm	



11



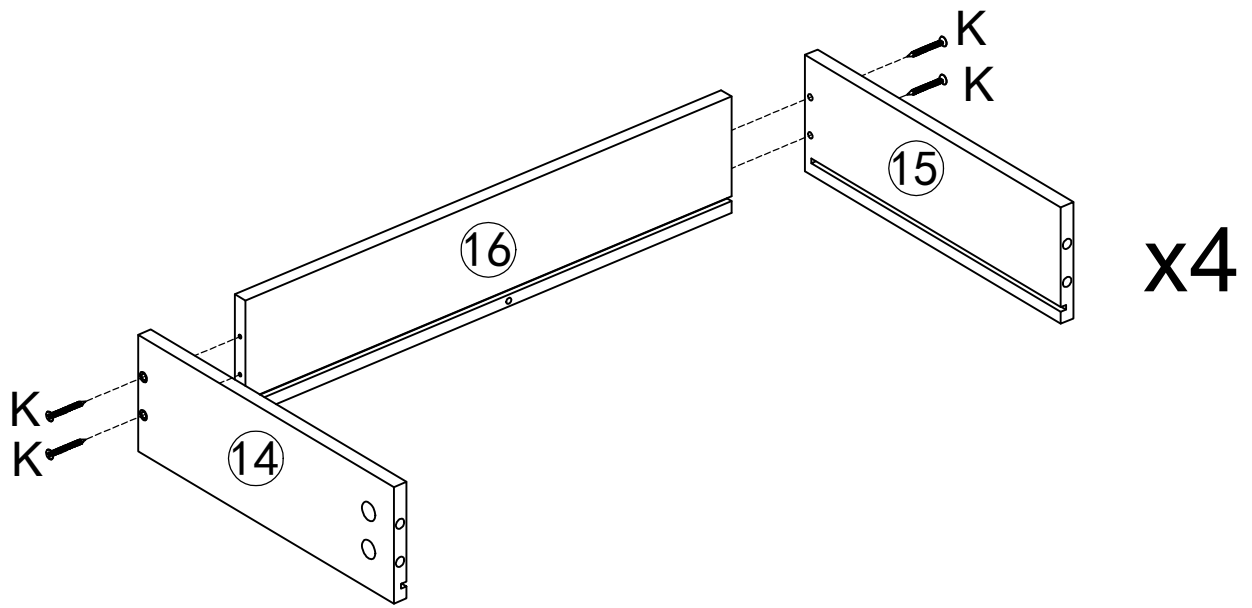
C	X4	J	X4
			
		M3x14mm	


12



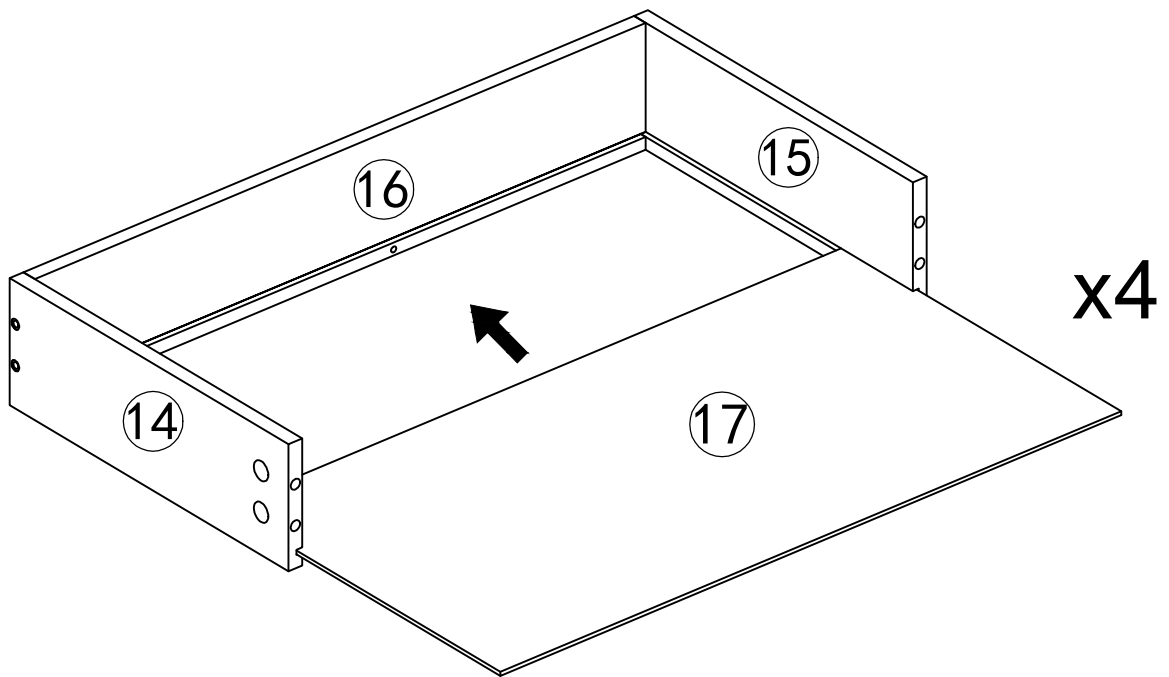
N	X2	K	X2
			
Ø6x30mm		M4x35mm	

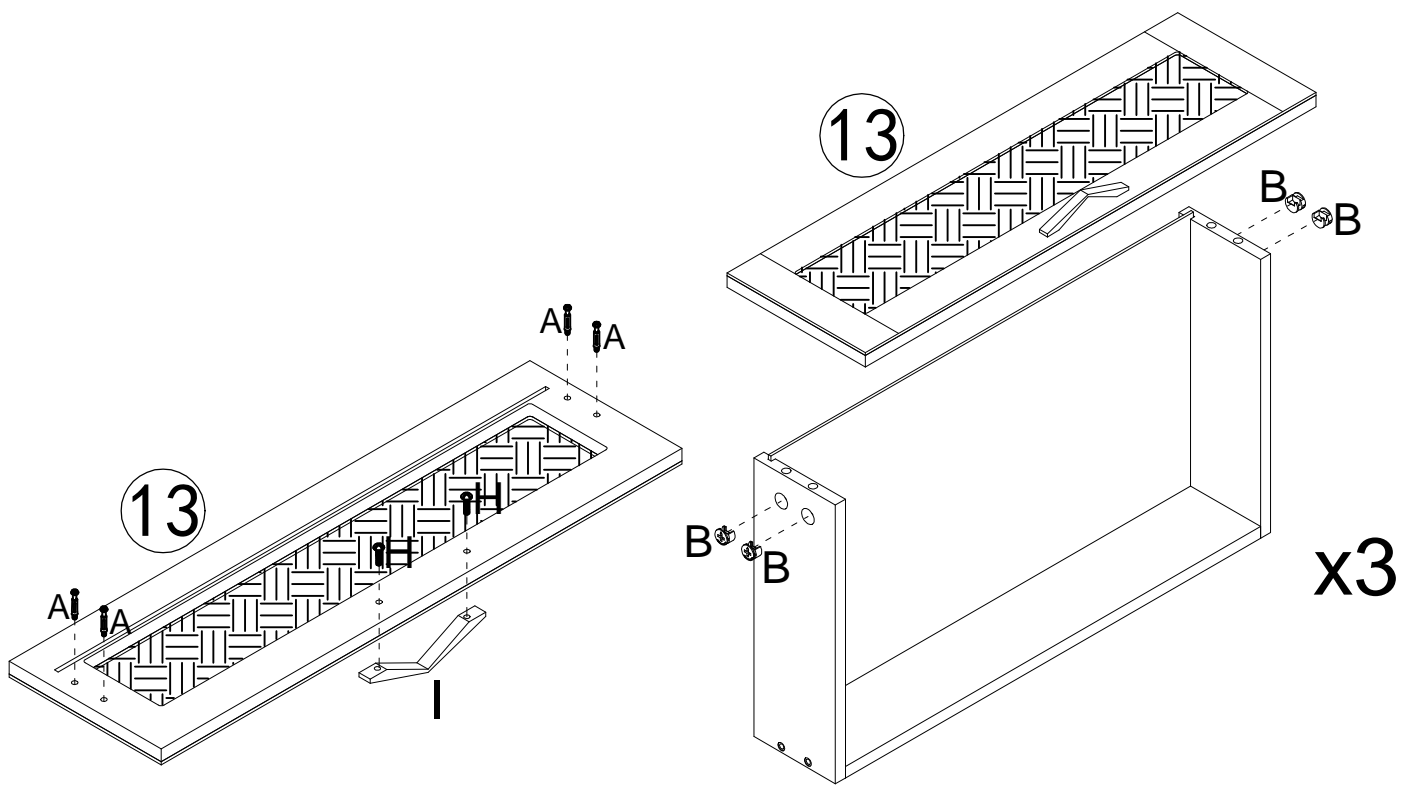
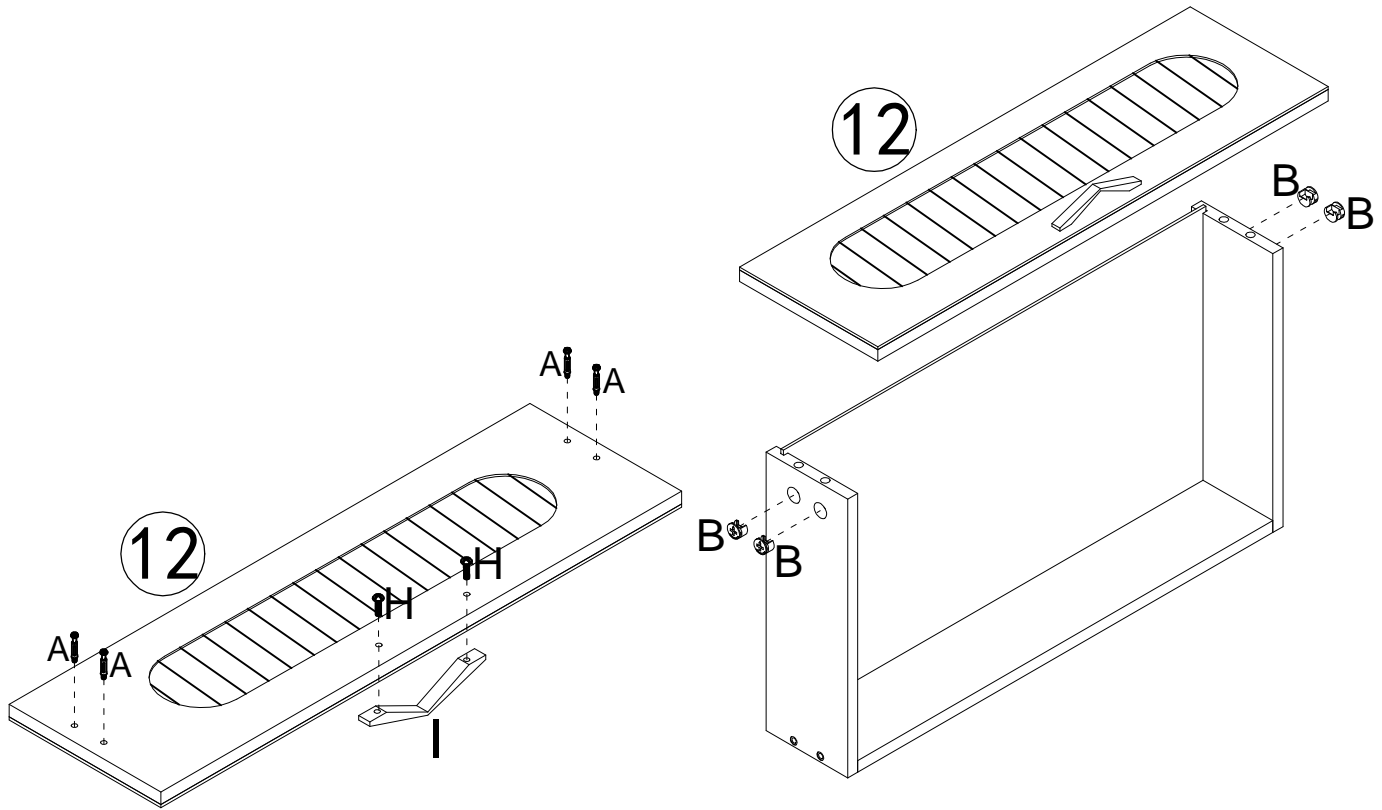
13


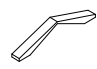




K	X16
	
M4x35mm	

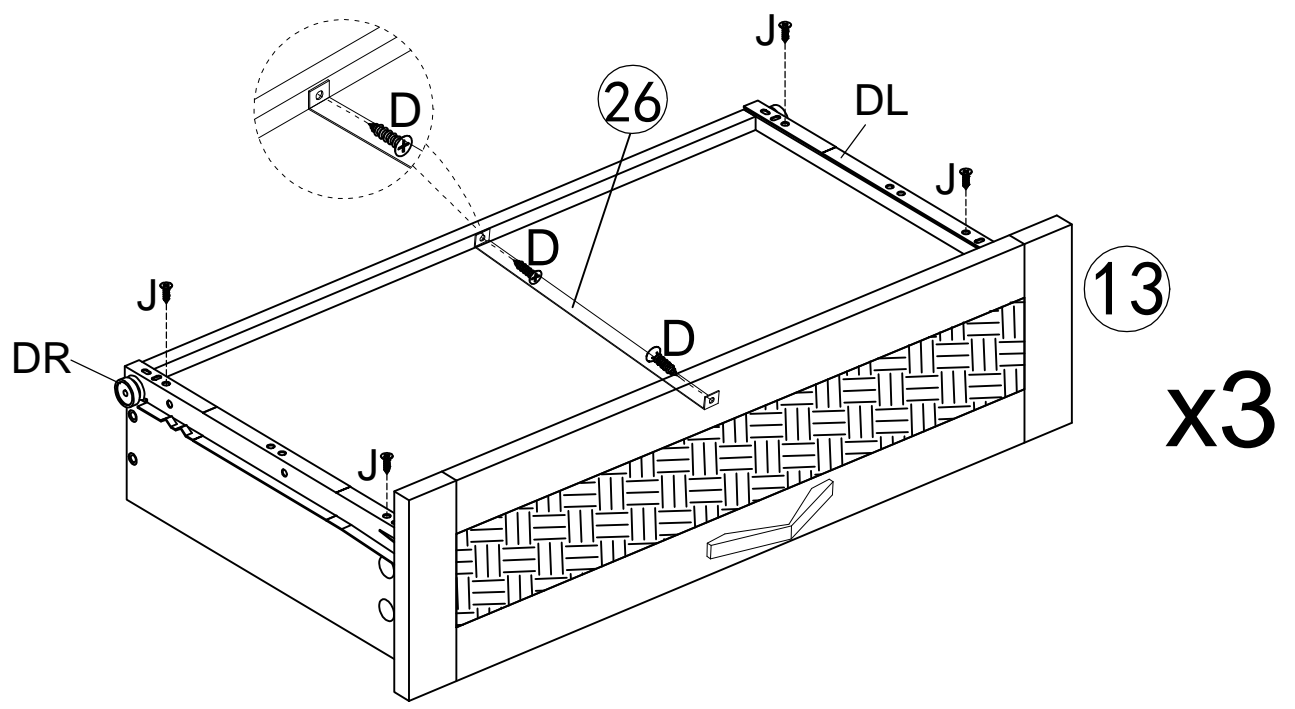
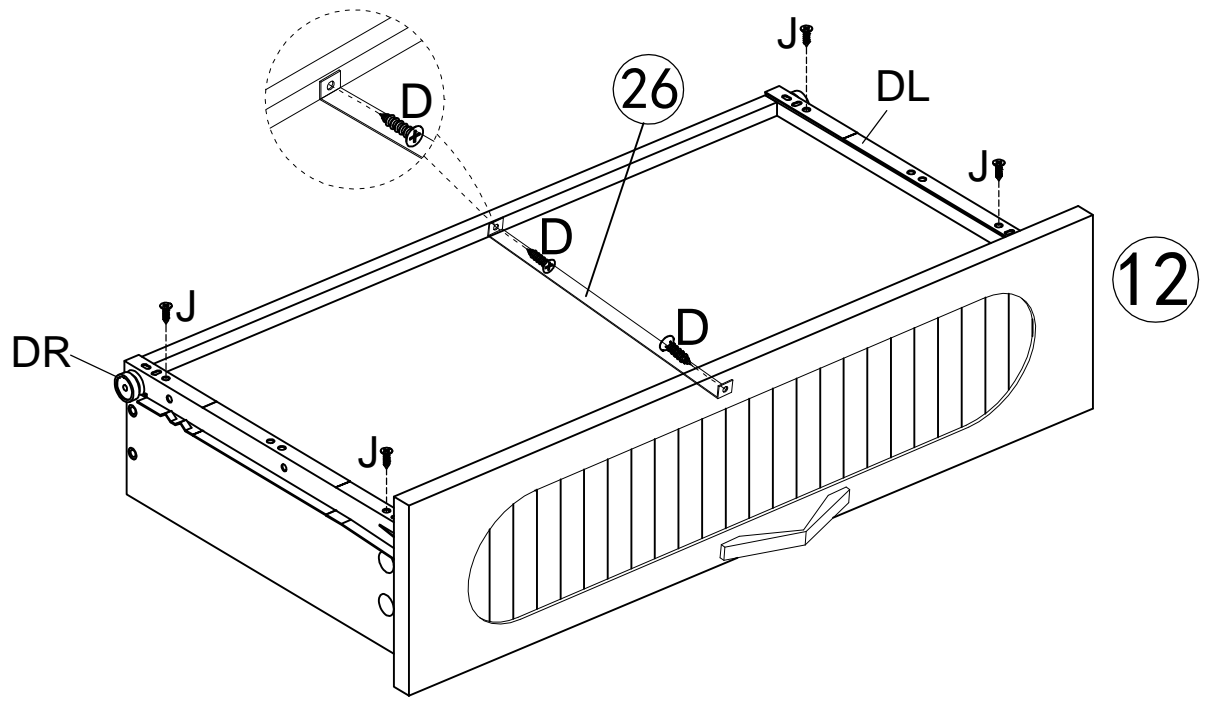
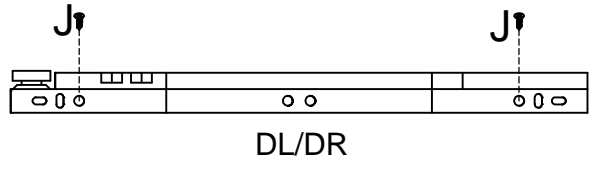
14







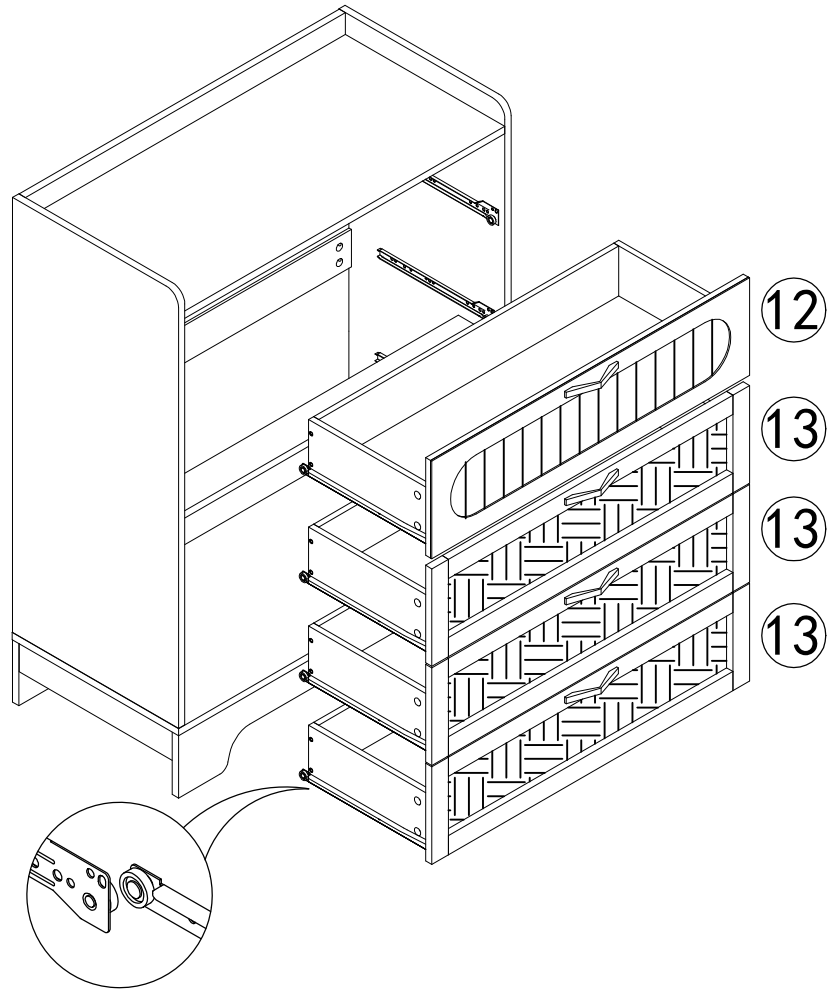
H	X8	I	X4	A	X16	B	X16
							
M4x18mm				M6x35mm		Ø15x9mm	

16



D	X8	J	X16
			
M3.5x12mm		M3x14mm	

17



18

