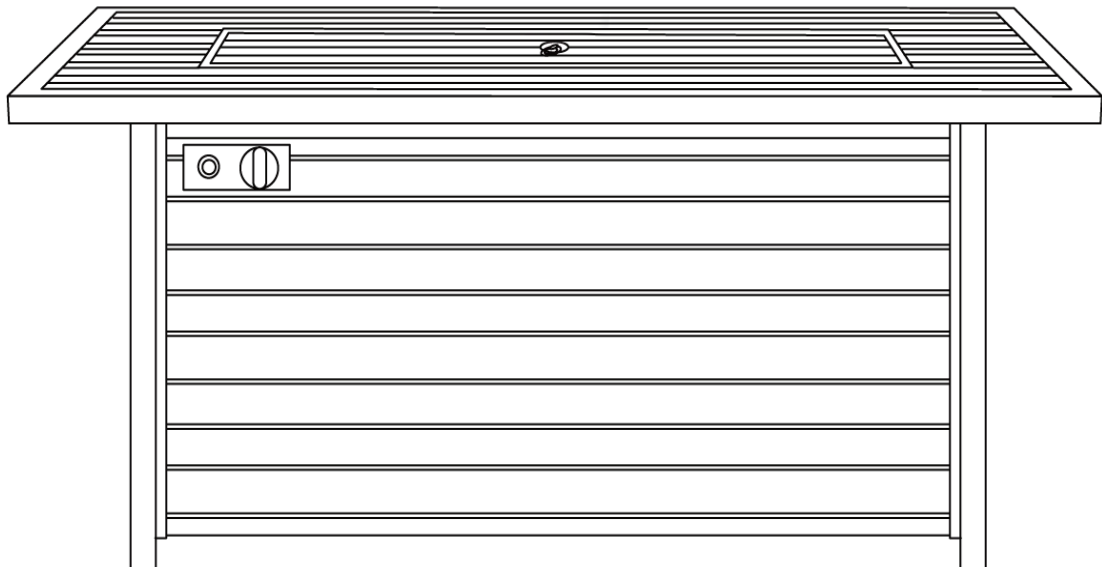


# OWNER'S INSTRUCTIONS MANUAL

## Gas Fire Table

### User's Guide and Instruction Manual



## LIVING SOURCE

If you would like to convert the unit to natural gas please contact our customer service team toll free at 1-844-826-1594; Monday-Friday, 8am-5pm PST or via email: [customerservice@livingsourceintl.com](mailto:customerservice@livingsourceintl.com).

Please note that this unit does not include a matching tank holder. Please contact our customer service team if you have any interest in purchasing one.

## **LIMITATION OF WARRANTY AND LIABILITY**

**NOTICE: Read this Limitation of Warranty and Liability Before Using This Product. If the Terms Are Not Acceptable, Return the Product at Once, Unopened, and the Purchase Price Will Be Refunded.**







**It is impossible to eliminate all risks associated with the use of this product. Such risks arise from weather conditions, the manner of use or application, or other unknown factors, all of which are beyond the control of the Seller and Manufacturer. These risks can cause bodily injury or death, ineffectiveness of the product, and damage to other property. Seller and Manufacturer will not be held liable for such risks. By using this unit you are accepting these risks.**

**Seller and Manufacturer warrant that this product is reasonably fit for the purpose stated in the Owner's Instructions Manual, subject to the inherent risks described above, when used in accordance with the Owner's Instructions Manual under normal conditions.**

**The Seller and Manufacturer will not be held liable for any claims, losses, injuries or damages resulting from the misuse or handling of this product.**

**Any claim by buyer or user of this product shall be filed within one (1) year of the date of injury or damage or the claim will be barred. Buyer and user waive any right to file any class action claim for product defect, design defect, or failure to adequately warn of product hazards or safe installation.**

**This Limitation of Warranty and Liability may not be amended by any oral or written agreement.**

 <b>WARNING</b>	<b>FOR OUTDOOR USE ONLY !</b>
 <b>DANGER</b>	<b>If you smell gas and/or hear a gas hissing sound:</b> <b>1.Immediately, SHUT OFF gas to the appliance.</b> <b>2.Extinguish ALL open flames.</b> <b>3.If odor continues, keep away from the appliance and immediately call your Gas Supplier or Fire Department.</b>
 <b>DANGER</b>	<b>DO NOT store or use gasoline or other flammable vapors and liquids in the vicinity of this unit and or any other appliance.</b> <b>An LP Gas tank not connected for use shall not be stored in the vicinity of this or any other appliance.</b>
 <b>DANGER</b>	<b>Improper installation, adjustment, alteration, service or maintenance can cause injury or damage to property.</b> <b>Read and understand the Owner's Manual thoroughly before installing or servicing this Fire Table.</b> <b>If the information in this Owner's Manual is NOT followed exactly, a fire or explosion may result and cause property damage, personal injury or loss of life.</b>
 <b>DANGER</b>	<b>CARBON MONOXIDE HAZARD.</b>  <b>This appliance can produce carbon monoxide, which is odorless.</b>
	<b>Using it in an enclosed space can kill you.</b>  <b>Never use this appliance in an enclosed space such as inside a camper, tent, car or home.</b>

**Save this Owner's Manual and these instructions for future use.  
If you are assembling this unit for someone else, give this Owner's Manual to them to read.**



Any questions regarding natural gas, please call Living Source toll free at 1-844-826-1594; Monday-Friday, 8am-5pm PST.

# LIVING SOURCE

**Congratulations on your new LIVING SOURCE purchase!**

## Before You Begin

1. Check for damaged or missing parts. For any questions or concerns please call Living source toll free at 844-826-1594; Monday-Friday, 8am - 5pm PST, or email [customerservice@livingsourceintl.com](mailto:customerservice@livingsourceintl.com) to order missing supplies.
2. Use the carton as a working surface to prevent product damage during assembly.
3. Gather all tools prior to assembly.

## Safety Information


Before you assemble or operate this unit, please carefully read this entire manual. Failure to do so may result in a fire explosion, injury or death.

**NOTE: You must follow all steps to properly assemble this heating item. Make sure the gas valve is turned “OFF” before assembling. Do NOT attempt to assemble without proper tools.**

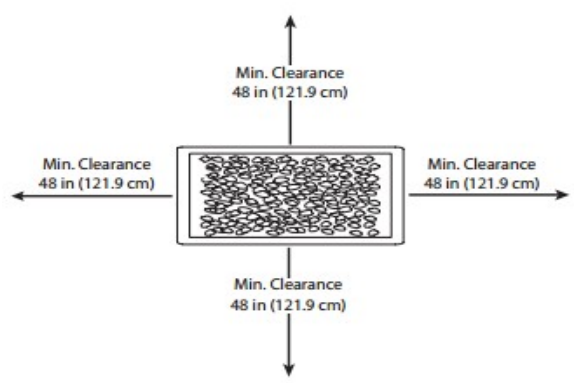
## Contact

If you have any questions or concerns, please contact Livingsource:

Toll Free Phone	844-826-1594   Monday - Friday, 8am – 5pm EST
Email	<a href="mailto:customerservice@livingsourceintl.com">customerservice@livingsourceintl.com</a>
Online	<a href="http://www.livingsourceintl.com">www.livingsourceintl.com</a>

Part A.	SAFETY INFORMATION
<p>Before you assemble or operate this unit, please read carefully this entire Owner's Manual. Failure to do so may result in a fire, explosion, injury or death.</p>	
	<p>The installation of this unit must adhere to local codes or either the National Fuel Gas Code, ANSI Z223. 1/NFPA54, ORCAN/CGA-B149.1, National Gas and Propane Installation Code.</p>
<p>• <b>THIS UNIT IS INTENDED FOR OUTDOOR USE ONLY !</b> This product shall be used outdoors, in a ventilated space and shall not be used in any enclosed area.</p>	
<p>• <b>This unit is to be used with LP Gas / Propane Gas only !</b> <u>(Propane Gas tank is not attached and not delivered with this unit. Propane and Gas Tank is sold separately).</u></p>	
<p>• <b>Do not attach a remote gas supply to this unit.</b></p>	
<p>• <b>This unit can be converted to natural gas. Please contact customer service for more information</b></p>	
<p>• <b>Do not use any solid fuel or charcoal for this unit.</b></p>	
<p>• <b>When igniting this unit, exercise caution as some gas pooling from the burner may cause the flame to flare that could cause injury.</b></p>	
<p>• <b>LP GAS WARNING: Lava Rocks/Pumice Stones/ Fire Glass not to exceed 1/4 inch depth above the burner holes. Excessive use of lava rocks/pumice stones/fire glass will suffocate the flame.</b></p> <p>• <b>If the Propane Gas Tank is leaking gas, you can smell, hear a hiss, or sense a leak at the source. Do the following:</b>  1. Disconnect the Propane Gas tank.  2. DO NOT attempt to fix the problem yourself.  3. Move yourself and all persons away from the immediate area.  4. Only when everyone is at a safe distance away from the Fire Table, contact your Gas Supplier or Fire Department for help.</p>	
<p>• <b>Applying too much Propane Gas may result in a pooling effect and will NOT burn. Allow fresh air into the unit so that the remaining gas may escape.</b></p>	
<p>• <b>DO NOT use a flame to check for gas leaks.</b></p>	
<p>• <b>The maximum inlet supply pressure: maximum Gas supply 11" w.c. (2.74kPa)</b></p>	
<p>• <b>Use LP propane tanks with the following dimensions: diameter 12", height 18"- capacity 20lbs.</b></p>	
<p>• <b>You must use a Propane Gas Tank that has a collar to protect the Gas Valve.</b></p>	

- **DO NOT** fill tank over 80% full.
- The tank system must be set up for vapor with drawal.
- STOP using if any part of the Propane Gas Tank is damaged.  
Rust and dents in tank may be hazardous and should be inspected by a Gas Supplier.
- **DO NOT** burn anything other than the provided materials for this Fire Table.
- **Keep away from the unit for the first 20 minutes after igniting your unit for the first time, as lava rocks/pumice stones/fire glass could pop out and cause injury. Should any rocks pop out, discard them.**
- **Always ensure that lava rocks/pumice stones/fire glass are completely dry before use.**  
Failure to do so will cause them to crack or pop.
- **DO NOT** operate unit until all parts are fully assembled.
- **DO NOT** paint or color any part of this Fire Table.
- **Unit may be hot while in use, DO NOT attempt to move it while in use.**
- **Never leave this Fire Table unattended while in use.**
- This unit is NOT intended for cooking.
- **Keep all flammable items away and DO NOT use any other Fire Table cover for this unit.**
- **Keep a safe distance to avoid burning skin or clothing.**
- **DO NOT sit or rest hands or feet on this Fire Table.**
- **Never place hands or fingers onto upper portion of this unit while in use.**
- **Keep all electrical cords and fuel supply hose away from heated surfaces.**
- **Combustible material should NOT be within 72 inches of the top of the unit, and within 48 inches around the entire unit. Combustible materials could be and are not limited to any items that may catch fire such as dry vegetation, wood, branches, leaves, plants, buildings, structures, fabrics, clothing, sawdust, all chemicals, and all flammable liquids.**



<ul style="list-style-type: none"> <li>• Keep the appliance area clear and free from combustible material, gasoline and other flammable vapors and liquids.</li> </ul>
<ul style="list-style-type: none"> <li>• If the flame goes out while burning, turn the gas valve off. Wait 5 minutes before repeating the initial lighting procedure. Once you have a flame started, hold down the control knob for 1 minute.</li> </ul>
<ul style="list-style-type: none"> <li>• DO NOT add water into the unit.</li> </ul>
<ul style="list-style-type: none"> <li>• DO NOT operate unit if any part has been under water. Immediately call for a <u>Qualified Service Technician</u> to inspect the appliance. Where necessary, secure Qualified Service Technician to replace part(s) of the Control System and any gas control parts that has been under water.</li> </ul>
<ul style="list-style-type: none"> <li>• DO NOT disconnect any part while the unit is in use.</li> </ul>
<ul style="list-style-type: none"> <li>• DO NOT store a spare Propane Gas Tank on or near this unit.</li> </ul>
<ul style="list-style-type: none"> <li>• This unit is for outdoors use ONLY.</li> </ul>
<ul style="list-style-type: none"> <li>• DO NOT operate on a boat or vehicle. This unit can only be used on any stationary outdoor flat surface ONLY.</li> </ul>
<ul style="list-style-type: none"> <li>• Always remove protective cover before operating(where applicable) and/or use of your Fire Table.</li> </ul>
<ul style="list-style-type: none"> <li>• DO NOT set the Protective Cover(E) over the unit until the Fire Table is turned off and completely cooled down(where applicable).</li> </ul>
<ul style="list-style-type: none"> <li>• Check for leaks after not using the unit for long periods of time.</li> </ul>
<ul style="list-style-type: none"> <li>• Children must never operate this FireTable. Children must be supervised AT ALL TIMES while near this Fire Table.</li> </ul>
<ul style="list-style-type: none"> <li>• The maximum gas supply pressure is <u>250 psi</u>.</li> </ul>
<ul style="list-style-type: none"> <li>• All installation and repair should be done by a <u>Qualified Service Technician</u>. This unit should be inspected annually and cleaned regularly.</li> </ul>
<ul style="list-style-type: none"> <li>• Inspect all elements of this Fire Table before each use. If there is damage, the burner must be replaced.</li> </ul>
<ul style="list-style-type: none"> <li>• Be aware of the hazards of high temperatures and stay away from the unit to avoid any burns or injury.</li> </ul>
<p>•The gas supply tank should be constructed and marked with the specifications for the LP Gas tanks of the U.S Department of Transportation or the National Standard of Canada CAN/ CSA-B339, LP Gas tanks, spheres and tubes for Transportation of Dangerous Goods and Commission.</p>
<ul style="list-style-type: none"> <li>• The LP Gas tank must have a listed over filling prevention device and a QCCI or Type I, LP Gas tank connection.</li> </ul>

• Children and adults should be alerted to the hazards of high surface temperatures and should stay away to avoid burns or clothing ignition.

• Young children **MUST BE** carefully supervised at all times when they are in the area of this appliance.

• Clothing or other flammable materials shall **NOT** be hung from the appliance or placed on or near the appliance.

• Any guard or other protective device removed for servicing the appliance shall be replaced prior to operating and use of this appliance.

• Installation and repair(s) should be done by a Qualified Service Technician.

The appliance should be inspected before use. If you suspect there are issues, contact a Qualified Service person.

More frequent cleaning may be required as necessary. It is imperative that the control compartment, burners and circulating airways of the appliance are kept clean.

**When APPLICABLE:**

• Keep gas tank at least 5 feet away from unit when lit (if it is an external tank).

• Allow Fire Burner to cool down completely before placing lid.

• Keep the hose away from any pathways to eliminate any accidental damage(if it is an external tank).

Use only the Regulator and Hose assembly provided with this unit.

Replacement parts must be supplied directly by manufacturer.

Inspect the Burner before use of this unit.

If the Burner shows any kind of damage, **DO NOT** attempt to operate the appliance.

For assistance with repair or replacement of the burner or anyother parts, call toll free at 1-844-826-1594; Monday-Friday, 8am-5pm PST or email [customerservice@livingsourceintl.com](mailto:customerservice@livingsourceintl.com)

**NOTE:** You must follow all steps to properly assemble this Fire Table.

Make sure the Gas Valve is turned "OFF" before assembling. **DO NOT** attempt to assemble without proper tools.



## Part B.

## IGNITOR CONTROL BOARD

Here is an exact visual display of the Operation Tablet as found on your FireTable. Read carefully before using.

### LIGHTING

1. Read the instructions before lighting.
  2. Control knob must be in " OFF " position.
  3. Connect propane cylinder(See Manual).
  4. Push and turn control knob counter clockwise to Low.
  5. Press the igniter button repeatedly to light burner.
  6. Release control knob after 45 seconds.
  7. If ignition does not occur in 45 seconds, push and turn burner control knob to "OFF", wait 5 minutes, fan with newspaper or magazine, and repeat lighting procedure.
  8. If igniter does not light burner, use a long match or a long butane lighter.
  9. Adjust flame to desired flame with the control knob.
- CAUTION: The gas supply must be turned off at the LP-gas supply cylinder when this appliance is not in use.

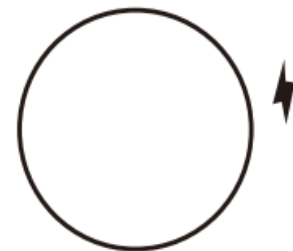
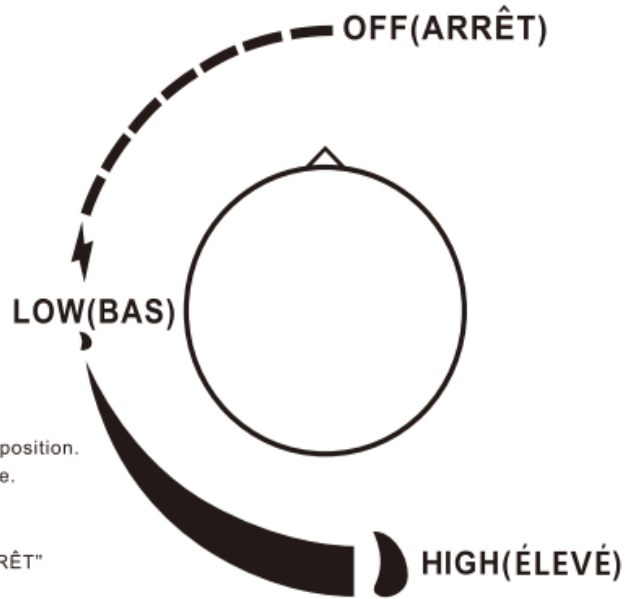
### TURNING OFF

1. Turn and push the control knob clockwise to the "OFF" position.
2. Turn the cylinder valve on the gas tank clockwise to close.

### ALLUMAGE

1. Lisez les directives avant l'allumage.
  2. Il faut que le bouton de commande soit à la position "ARRÊT"
  3. Raccorder la bouteille de propane (voir le guide)
  4. Pousser et tourner le bouton de commande dans le sens anti-horaire à "BAS"
  5. Appuyer sur le bouton d'allumage plusieurs fois pour allumer le brûleur
  6. Relâcher le bouton de commande après 45 secondes.
  7. Si l'allumage ne s'est pas produit pendant les 45 secondes, pousser et tourner le bouton de commande jusqu'à la position "ARRÊT", attendre 5 minutes éventer avec un journal ou une revue répéter ensuite le procédé d'allumage
  8. Si l'allumeur n'allume pas le brûleur, utiliser une allumette longue ou un long allume-feu au butane
  9. Régler la flamme à l'intensité voulue à l'aide du bouton de commande.
- ATTENTION: Il faut fermer le robinet gaz sur la bouteille de GPL lorsque l'appareil n'est pas utilisé

- EXTINCTION: 1. Tourner et pousser le bouton de commande dans le sens horaire jusqu'à la position "ARRÊT"
2. Tourner le robinet de la bouteille de gaz dans le sens horaire pour le fermer.



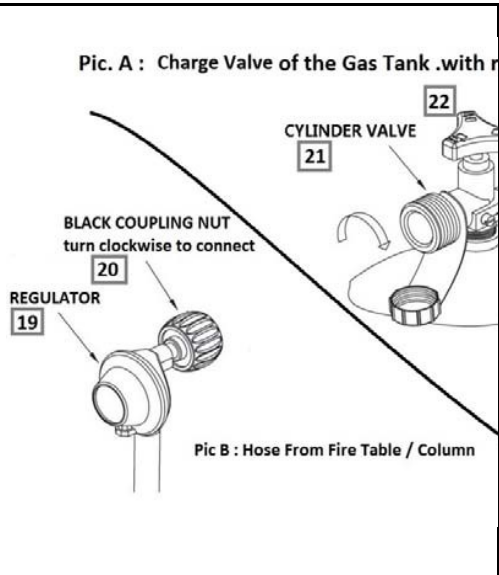
IGNITER-PUSH  
ALLUMEUR-POUSSER

**Part C. User's Guide to Parts and Accessories of The Regulator, Charge Valve of the Cylinder and Steps to Connecting the Gas Tank to the Fire Table.**

This Safety Information section contains information concerning:  
 1)The Regulator (pre-connected to the Fire Table).  
 2)The Charge Valve of the Gas Tank and its relevant Valves.

**Note:** There are Fire Tables that hold the Gas Tank INTERNALLY and EXTERNALLY.

The Owner/User must know all the different parts: Charge Valves and Regulator.  
 This picture shows different parts of the Charge Valve of the Gas Tank and the Regulator(12/19) is pre-connected to the Fire Table. The different components and parts of the Gas Tank and the Fire Table Regulator, as show on the picture to the left here.



**Pic. A:** Shows the Charge Valve of the Cylinder with the different Valves and Coupling Nut, these forms the top of the Gas Cylinder.

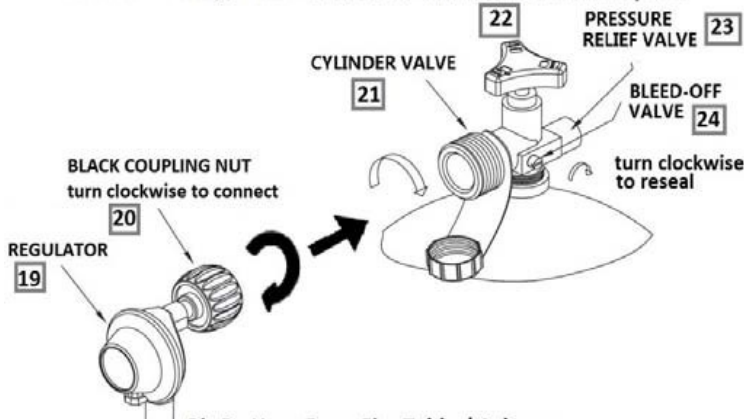
**Pic. B:** Shows the Regular pre-connected to a hose. This Regulator is pre-connected to the Fire Table.

**Part D.**

**Connecting the Fire Table to the Gas Cylinder.**

This next step guides you to connect the Fire Table Regulator to the Gas Cylinder.

Pic. A : Charge Valve of the Gas Tank .with relevant parts

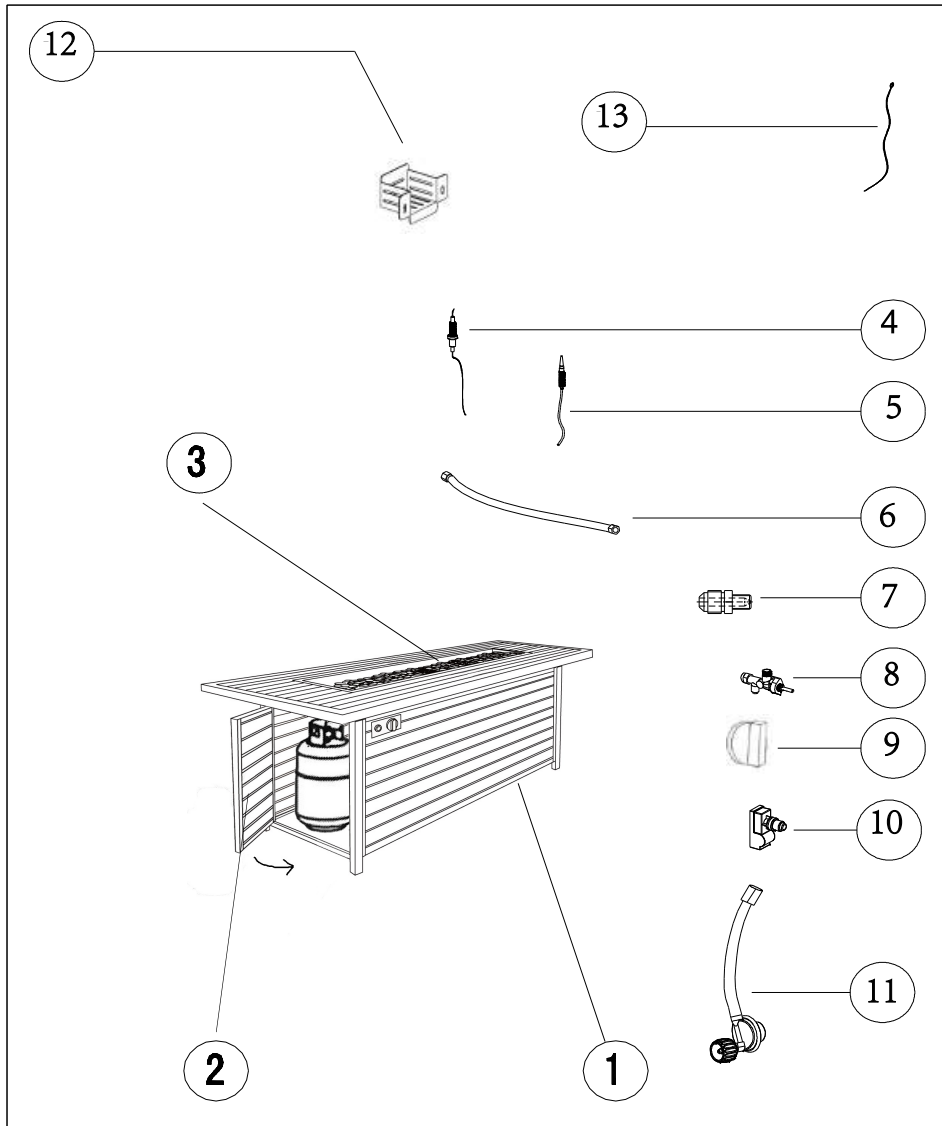


**Step1: Connect the Black Coupling Nut on the Regulator to the Cylinder Valve.**

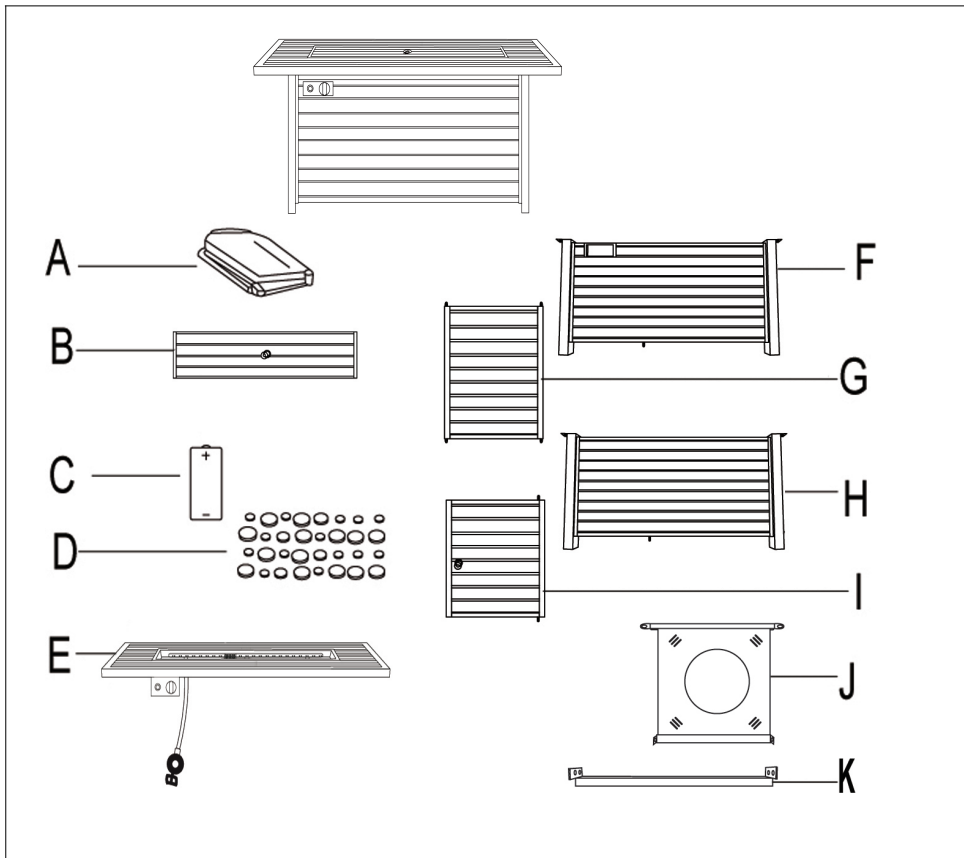
**Step2: Turn the Black Coupling Nut, fully CLOCKWISE until fully locked into position.**

**Step 3: In order to Check for Leaks: Brush and water mixture on all connections.**

**Note: Turn the gas supply on. If any extra large bubbles form on any connection there may be a leak. If you smell gas or a leak is discovered, IMMEDIATELY turn the gas valve off, disconnect Propane Gas tank. Do not use the appliance until the leak is repaired.**








Item No.	Description	QTY
1	Body	1PC
2	Door	1PC
3	Burner	1PC
4	Ignition Pin	1PC
5	Thermocouple	1PC
6	Corrugate Pipe	1PC
7	Injector	1PC
8	Gas Valve	1PC
9	Control Knob	1PC
10	Pulse Ignitiion	1PC
11	Regulator	1PC
12	Screen	1PC
13	Grounding Wire	1PC

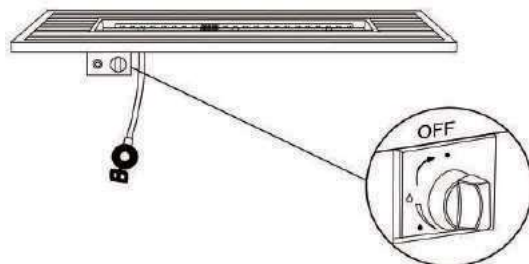


Item No.	Description	QTY
A	Polyester Cover	1PC
B	Table lid	1PC
C	Battery	1PC
D	Lava Rock	1Box
E	Fire Table with Burner	1PC
F	Panel F	1PC
G	Panel G	1PC
H	Panel H	1PC
I	Door	1PC
J	Tank Holder	1PC
K	Rail	1PC

# HardWare

Item No.	Picture & Discription	QTY
a	 Screw(M6*40MM)	2PCS
b	 Screw (M8*10MM)	4PCS
c	 Spacer	4PCS
d	 Wrench	1PC
e	 Screw (M6*15MM)	8PCS

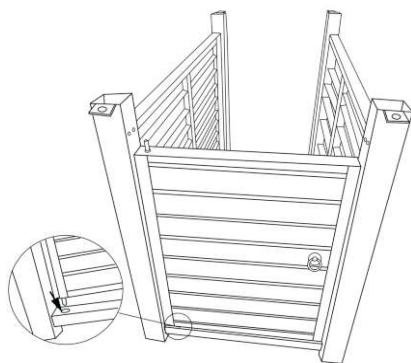
# ASSEMBLY INSTRUCTIONS



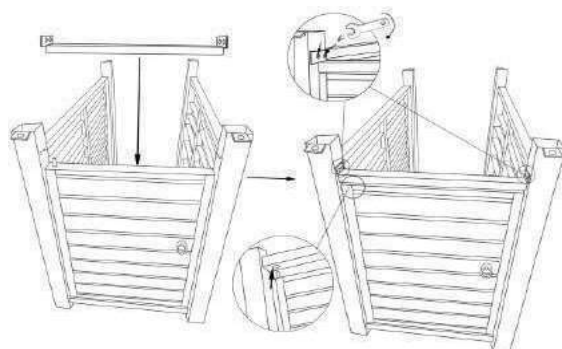
1. Check that the Control Knob for the gas supply system is turned to the "OFF" position before starting any assembly.



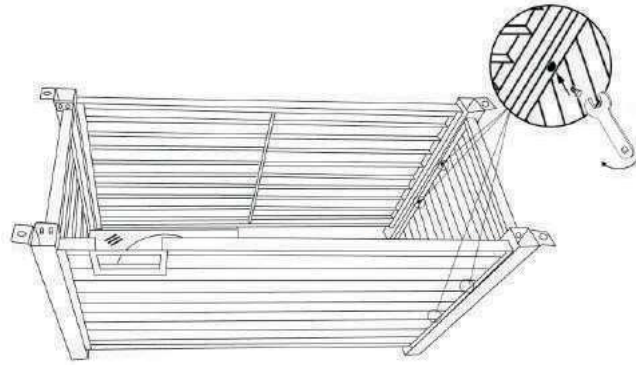
2. Put Tank Holder (J) into Panel (F) and Panel (H). Attach it with 2 Screws (a) using the Wrench (d). Please do not fully tighten.



3. Insert Door (I) into the hole on the Tank Holder (J).



4. Attach the Rail (K) to the Door (I) and Panels (F) and (H) using 4 Screws (e) using the Wrench (d). Please do not fully tighten.



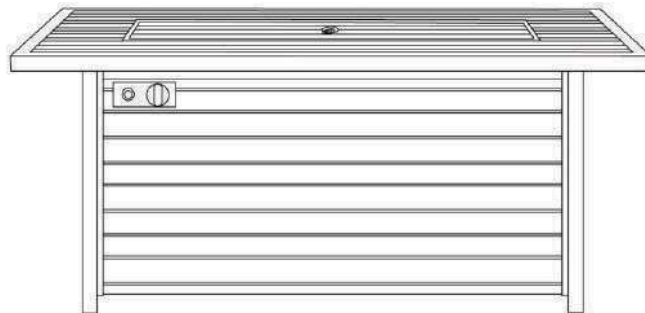
5. Attach Panels (G), (F) and (H) using 4 Screws (e) using the Wrench (d). Fully tighten all screws.



6. Fit the Table (B) onto the metal base, making sure the metal base mates with the window of the Panel.



7. Secure the metal base to the Top using 4 Screws (b) and (c) using the Wrench (d).



8. Your Fire Table is finished. Make sure all of Screws are completely Tight.



# ASSEMBLY INSTRUCTIONS

\* Please keep owner's manual for future reference.

\* If you have opened the carton and removed all packages, please disregard STEP 1 and 2. See STEP 3 directly.

## STEP 1.

- (1) Open the carton and turn it upside down, making sure it contains 4 packages.
- (2) Lift off the carton carefully and be aware that some accessories are loose inside the carton
- (3) Discard all packing materials except for the paper honeycomb board around the top of firebowl.

## STEP 2.

- (1) Turn the firebowl right side up on a flat surface.
- (2) Remove all the paper honeycomb board around the top of the firebowl.

## STEP 3

- (1) Check each part before using the product.  
Make sure the gas supply system is turned "OFF" before assembling.

See Figure C.

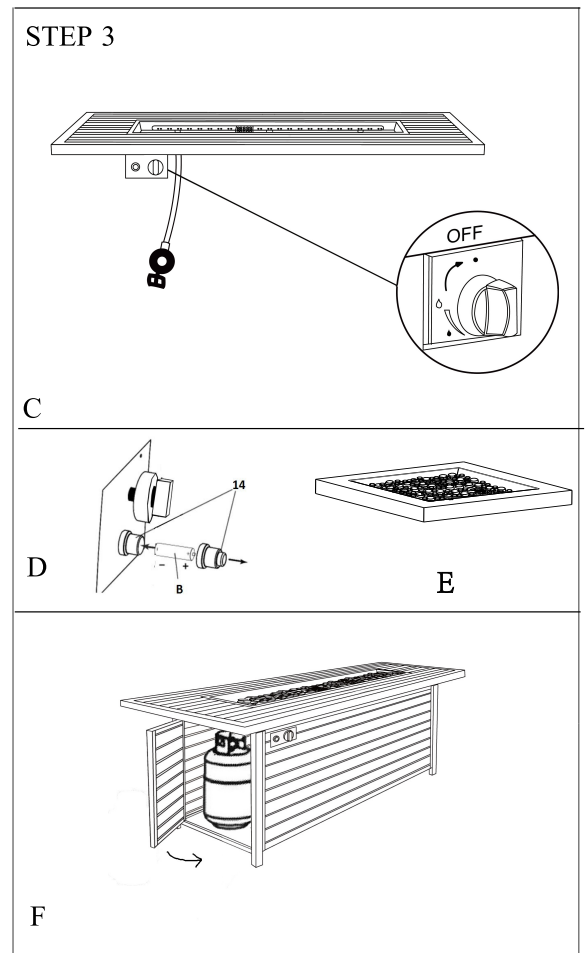
- (2) Take away the box containing lava rock from the package.

- (3) Put the gas tank in the tank holder. Make sure the gas tank sits on the tank holder completely. Turn the wing screw on the outer part of metal stand clockwise to secure the gas tank tightly. See Figure F.

- (4) Locate the battery, remove the plastic cover first(14).  
Unscrew the rubber cap of the electric igniter, place an AAA battery into the battery case. Make sure the positive pole ("+") faces toward the cap. Screw the cap back to the battery case tightly. See Figure D.

- (5) Evenly distribute the lava rocks in the firebowl. See Figure E.

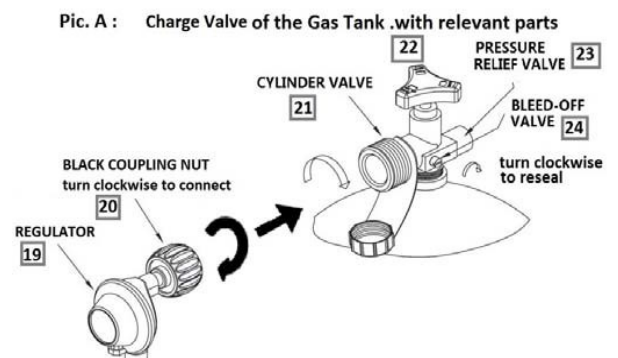
- \*\* DO NOT COVER THE IGNITION SCREEN when placing the lava rocks into the firebowl.  
Always keep ignition screen visible.  
\*\* Connect the pressure regulating valve to the gas tank.



3. Turn the Cylinder Valve(21) on the tank in a clockwise direction to TURN OFF SUPPLY of the LP Gas supply.

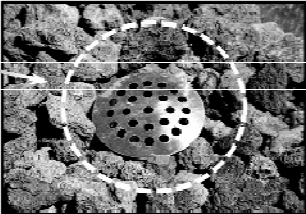


Attach the preassembled Regulator from the Fire Table/Column to the Cylinder Valve(21) by turning the Black Regulator Coupling Nut clockwise.

Make sure it is fastened securely and tighten connections- by HAND only.





See **WARNING** and Figures:

<p><b>⚠ WARNING</b></p> <p>This screen must be clear and free of obstructions at all times to ensure proper operation.</p>	<p><b>Screen</b></p>  <p><b>DO NOT PLACE LAVA ROCKS ON THE SCREEN. KEEP SCREEN CLEAR.</b></p>
<p><b>⚠ WARNING</b></p> <p>The burner of the firebowl must be covered by lava rocks or fire glass completely. Otherwise the flame may be extinguished. See the Figure for the <b>CORRECT</b> and <b>INCORRECT</b> ways for reference.</p>	<div style="display: flex; justify-content: space-around;"> <div data-bbox="695 506 903 786">  <p><b>CORRECT</b></p> </div> <div data-bbox="1058 506 1278 786">  <p><b>INCORRECT</b></p> </div> </div>

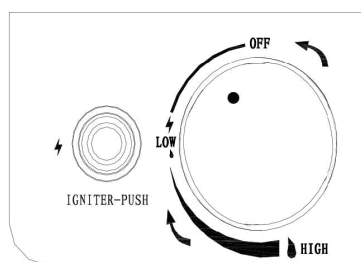
Perform leak test in a well-ventilated area outside and where no source of spark can occur. Remove battery from igniter. Open tank valve fully (counter-clockwise). Turn the on/off valve at the unit to the “OFF” position to pressurize the hose assembly. Use a soapy water solution to check all the connections for leaks before attempting to light the appliance. **If a leak is found, turn the tank valve off and do not use the appliance until repairs can be made.**

- TIPS:** Before Starting
- Read the instructions thoroughly.
  - Check and make sure that all parts are present.
  - For future reference, save this instruction manual.

**TO LIGHT**

Before each use, inspect the hoses. Replace hose if there are any signs of cutting, wear or abrasion.

- (1) Turn the cylinder valve on the gas tank counter-clockwise to open the gas supply.
- (2) Close the storage door on the firebowl for the gas tank.
- (3) Light the firebowl as below in the following image:



- A. Press and hold the electric igniter. At the same time, push and turn the control knob counter-clockwise to the ‘LOW’ position. Keep pushing the control knob to light the burner.
- B. After ignition, release the electric igniter. Continue to push and hold the control knob for 45 seconds.
- C. If ignition does NOT occur within a few seconds, push and turn the control knob clockwise to ‘OFF’. Wait 5 minutes, and then repeat the lighting procedure as above.

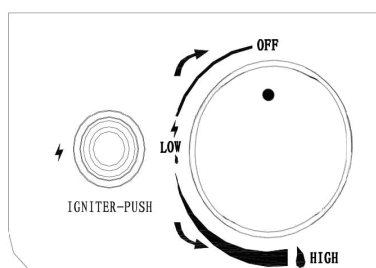
**Caution:** \*If the burner does not ignite with the valve open, gas will continue to flow out of the burner and could accidentally ignite with risk of injury.



Observe flame height when lit:  
Flame should be a yellow/blue colour and be from 5cm to 25.5 cm (2 in – 10 in) high.

## TO EXTINGUISH

- Push the control knob and turn clockwise to the 'OFF' position.
- Turn the cylinder valve on the gas tank clockwise to close the gas supply if not in use for a long time. (See figure below.)



## ROUTINE CARE

- Keep your firebowl free and clear of combustible materials.
- Visually inspect burner for obstructions and keep firebowl free and clear from debris.
- After the burner and lava rocks are completely cooled down, use a soft brush to clean away mild stains and debris. Wipe with a soft cloth.

## STUBBORN STAINS

- Stubborn stains, discoloration and possibly rust pitting can occur from exposure to harsh outdoor conditions.
- Be careful not to let any powder or solvent come in contact with painted or plastic components as damage may occur.

## MAINTENANCE

- Our Table/Column Fire Table material has been sealed with a treatment that prevents staining and moisture absorption, and for product long evity this Fire Table/ Column would still require proper care and maintenance to ensure the integrity of the surface.
- Please see below for recommendations on maintaining your Fire Table/Column surface for years of extended use :
- Clean any spills immediately to prevent permanent surface(s) staining or damage to your Fire Table / Column.
  - Blotany liquid spills with a clean, dry cloth to avoid spreading of the spill to the rest of the table.
  - Immediate cleaning of stains/blotting of spills also prevents absorption of such stains/spills into the surfaces, compared to if such stains/spills are left for extended periods on these surfaces.
- How to Clean your Fir eTable/Column surface(s) :
  - Mix a mild dish soap into warm clean water, use a soft, clean cloth or sponge.
  - Then proceed to remove surface dirt, stains or mild spills.
  - Rinse all soap solution off from the surfaces with a damp cloth.
  - Dry off completely with a dry cloth to avoid water spots/water marks.
  - Regularly cleaning the Fire Table/Column surface will aid in a longer lasting product.
- DO NOT use petroleum-based or abrasive cleaning products.
- DO NOT use any harsh brushes/rough sponges when cleaning the Fire Table/Column surface(s).
- DO NOT slide products across the FireTable/Column surface(s) to avoid permanents cratching and or damage(s).
- DO NOT place any food on the surface(s) of the Fire Table/Column.
- DO NOT eat from the surface(s) of the Fire Table/Column surface.
- Fire Table/Column surface must be covered at all times when not in use.
- Cover your product with an outdoor Protective Cover when not in use to protect it from the elements.
- Store your product indoors during winter months, leave the gas tank outside.
- Avoiding extreme cold temperatures, as extreme cold temperatures may cause cracking of the table top.

# Troubleshooting

## Problem: Burner will not light using igniter

**Please review the Helpful Tips on page 15 for common fixes to this problem.**

**Possible Cause 1: Electrode and burners are wet.**

-Wipe dry with cloth.

**Possible Cause 2: Igniter battery is dead or backwards.**

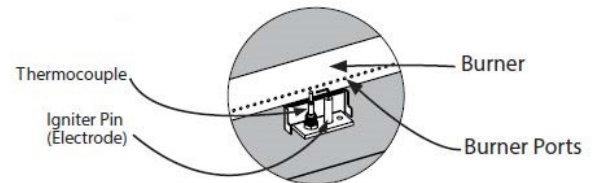
-Check that the AAA battery is inserted correctly in the igniter (see page 10) or replace the battery. Make sure the plastic wrap on the battery has been removed.

**Possible Cause 3: Igniter Pin cracked or broken - sparks a crack.**

-Please contact Living source

**Possible Cause 4: Bad Igniter**

-Please contact Living Source



## Problem: Burner will not light with match

**Possible Cause 1: No Gas Flow**

-Check if the LP gas tank is empty. If empty, replace and refill. If the propane tank is not empty, refer to "Problem: Sudden drop in gas flow" on the following page.

**Possible Cause 2: Coupling nut and regulator not fully connected.**

-Turn the coupling nut about one half to three fourths a turn, until you feel a solid stop. Do not use tools, tighten by hand only.

**Possible Cause 3: Obstruction of gas flow.**

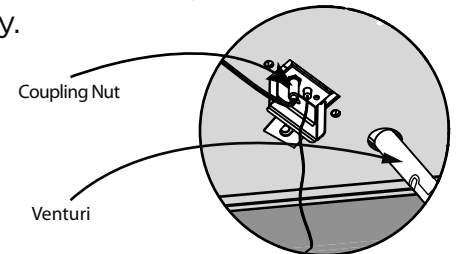
- Check for bent or kinked hose.

**Possible Cause 4: Spider webs or insect nest in the venturi.**

- Clean the venturi.

**Possible Cause 5: Burner ports clogged or blocked.**

-Reference "Problem: Irregular flame pattern" on the following page. Clean the burner ports as described there.



## Problem: The fire table emits a lot of black smoke when in use

**Possible Cause 1: Hose from gas fire table is pinched.**

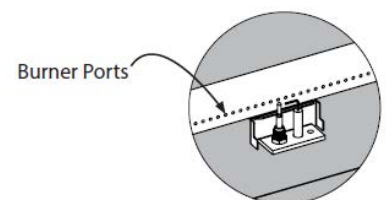
-Make sure the hose is not pinched between the fire table and the source of the gas.

**Possible Cause 2: Flame is being obstructed at burner ports.**

-Make sure that the gas ports on the burner are free of any lava rocks/fire glass so that the flame can flow naturally.

-Clear out the mixing chamber located before the Venturi.

**Possible Cause 3: Mixing chamber of the burn tube is blocked or obstructed.**



# Troubleshooting

## Problem: Sudden drop in gas flow, or a reduced flame height

### Possible Cause 1: Out of Gas.

-Check for gas in the LP gas tank.

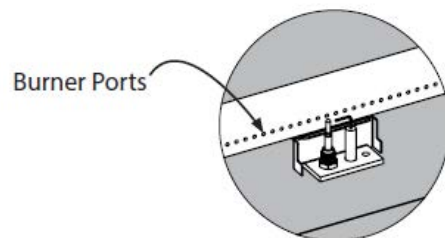
### Possible Cause 2: Excess flow safety device may have been activated.

-Turn control knob to “OFF”, wait 30 seconds and light outdoor fire table. If flames are still too low, reset the excessive flow safety device by turning off the control knob and LP gas tank valve. Disconnect regulator. Turn burner control knob to “HIGH”. Wait at least 5 minutes. Turn burner control knob off. Reconnect regulator and perform a leak check at tank connection. Turn LP gas tank valve on slowly, wait 30 seconds and then light outdoor fire table.

## Problem: Irregular flame pattern, flame does not run the full length of the burner

### Possible Cause: Burner ports are clogged or blocked.

-Clean burner ports. Do this by inserting a paperclip into each of the burner ports to ensure they are not clogged. **WARNING:** Make sure burner is not on, and has had sufficient time to cool before touching it.



## Problem: Flame blow out

### Possible Cause 1: High or gusting winds.

-Increase flame to “HIGH” setting.

### Possible Cause 2: Low on LP gas.

-Replace or refill LP gas tank.

### Possible Cause 3: Excess flow valve tripped.

-Refer to “Problem: Sudden drop in gas flow”

## Problem: Flame seems to lose heat when burning in cold weather - temperature below 50°F

### Possible Cause 1: Ice has built up on the outside of the LP gas tank because the vaporization process is too low.

-Turn the control knob and the LP gas tank to “OFF”. Replace with a spare LP gas tank and resume burning. Store the spare LP gas tank in a well ventilated area, away from children.

## Contact

If you have any questions or concerns, please contact LivingSource:

Toll Free Phone	844-826-1594   Monday - Friday, 8am – 5pm EST
Email	customerservice@livingsourceintl.com
Online	www.livingsourceintl.com